

87-702-10A



2010

# ALTERNATORS & STARTERS

*Power Equipment  
& Power Sports*



**WPS**

WORLD POWER SYSTEMS

## TABLE OF CONTENTS

SECTION	PAGE NO.
MAKE/MODEL INDEX . . . . .	..II
ALTERNATOR APPLICATIONS . . . . .	.1
STARTER APPLICATIONS . . . . .	.29
TILT & TRIM MOTOR APPLICATIONS . . . . .	.156
PLOW MOTOR APPLICATIONS . . . . .	.159
STARTER/GENERATOR APPLICATIONS . . . . .	.160
TECHNICAL REFERENCE GUIDE . . . . .	.164
CROSS REFERENCE	
OEM TO CATALOG NUMBER . . . . .	.227
LESTER TO CATALOG NUMBER . . . . .	.246
CATALOG NUMBER INDEX . . . . .	.249

**DISCLAIMER OF WARRANTY:** *Many hours of research went into this catalog and all information contained herein is believed to be correct and reliable, however, no responsibility will be assumed by the author or the publisher or anyone associated with this publication for loss or damage resulting from reliance on information presented in this publication.*

*No portion of this publication may be reproduced in any way, or stored in any electronic retrieval system without the prior expressed written consent of Lester Catalog Company, Inc.*

COPYRIGHT © 2010, Lester Catalog Company, Inc.

ALL RIGHTS RESERVED

9850 Hillview Road / Newcastle, CA 95658 / U.S.A.

Phone 530-823-0963

# MAKE / MODEL INDEX

MAKE / MODEL	ALT PAGE #	STR PAGE #	MAKE / MODEL	ALT PAGE #	STR PAGE #	MAKE / MODEL	ALT PAGE #	STR PAGE #
<b>ACADIA</b>			<b>CUB CADET</b> - <i>continued</i>			<b>GRAY</b>		
Inboard & Sterndrive		.29	Mowers - Wide Area		.39	Inboard & Sterndrive		.54
<b>AIFO</b>			Mowers - Zero Turn		.40	<b>HARDIN</b>		
Engines - Marine		.29	Tractors - Compact	3	.41	Stern Drives	4	.54
<b>ARCTIC CAT</b>			Tractors - Garden		.41	<b>HARLEY DAVIDSON</b>		
All-Terrain Vehicle (ATV)		.30	Tractors - Lawn		.42	Motorcycles		.59
Personal Watercraft (PWC)		.30	Tractors - Utility	3	.42	<b>HINO</b>		
Snowmobiles		.31	Utility Vehicle (UTV)		.43	Inboard & Sterndrive		.59
Utility Vehicle (UTV)		.32	<b>CUMMINS</b>			<b>HONDA</b>		
<b>BAUDOIN</b>			Engines - Marine		.43	All-Terrain Vehicle (ATV)		.59
Engines - Marine	1		Inboard	3		Engines - Marine Outboard		.60
<b>BERKLEY JET</b>			<b>CUMMINS MERCUISER</b>			Motorcycles	4	.60
Inboard & Sterndrive		.32	Inboard	3	.44	Personal Watercraft (PWC)		.60
<b>BMS MOTOR SPORTS</b>			Stern Drives	3		Small Engines		.61
All-Terrain Vehicle (ATV)		.32	<b>CUSHMAN</b>			<b>INDMAR</b>		
Utility Vehicle (UTV)		.32	Carts		.160	Inboard & Sterndrive	4	
<b>BMW</b>			<b>DAF</b>			<b>INTERNATIONAL</b>		
Inboard Engines	1	.32	Engines - Marine	3		Tractors - Garden		.162
Motorcycles		.32	<b>DETROIT DIESEL</b>			Tractors - Lawn		.163
<b>BOBCAT</b>			Inboard	3		<b>JACOBSEN</b>		
Articulated Loaders		.33	<b>DEUTZ</b>			Tractors - Lawn		.61
Compact Excavators		.33	Engines - Marine		.44	<b>JACUZZI JET</b>		
Skid Steer Loaders		.34	<b>ETON</b>			Stern Drives	4	.61
Trenchers		.34	All-Terrain Vehicle (ATV)		.44	<b>JOHN DEERE</b>		
<b>BOMBARDIER</b>			Scooters		.45	Engines - Marine		.62
All-Terrain Vehicle (ATV)		.34	<b>EVINRUDE</b>			Misc. Lawn Equipment (By Eng.)		.62
Utility Vehicle (UTV)		.34	Engines - Marine Outboard	3	.48	Mowers - Fairway	4	
<b>BOSS</b>			Tilt & Trim		.156	Mowers - Front	5	.62
Plow Motors		.159	<b>EZ-GO</b>			Mowers - Greens		.62
<b>BRIGGS &amp; STRATTON</b>			Golf Carts		.161	Mowers - Professional		.63
Engines		.34	Industrial Cart		.161	Mowers - Riding		.63
<b>BUKH</b>			Turf Carts		.161	Mowers - Trim	5	
Engines - Marine	1		Utility Carts		.161	Mowers - Turf	5	.63
<b>CASE</b>			<b>FARYMAN</b>			Mowers - Walk Behind		.63
Tractors - Compact	1	.35	Engines - Marine	4	.52	Mowers - Wide Area	5	
Uni-Loaders		.35	<b>FISHER</b>			Mowers - Z-Trak	5	.63
<b>CATERPILLAR</b>			Plow Motors		.159	Skid Steer Loaders	5	.64
Engines - Marine	2	.35	<b>FLAGSHIP</b>			Tractors - Farm		.64
<b>CHRIS CRAFT</b>			Inboard & Sterndrive		.52	Tractors - Lawn	5	.64
Inboard & Sterndrive		.36	<b>FORCE</b>			Tractors - Specialty		.68
<b>CHRYSLER</b>			Engines - Marine Outboard		.53	Tractors - Utility	5	.68
Engines - Marine IB & Stern	2	.37	Tilt & Trim		.156	Utility Vehicle (UTV)	5	.68
Engines - Marine Outboard		.37	<b>FORD</b>			<b>JOHNSON</b>		
Tilt & Trim		.156	Engines - Marine		.53	Engines - Marine	5	
<b>CLARK</b>			Skid Steer Loaders		.53	Engines - Marine Outboard		.71
Skid Steer Loaders		.38	Tractors - Compact	4	.53	Tilt & Trim		.156
<b>CLUB CAR</b>			<b>FORD FORNAUT</b>			<b>KAWASAKI</b>		
Golf Carts		.160	Inboard	4		All-Terrain Vehicle (ATV)		.78
<b>COLEMAN</b>			<b>GENERAC</b>			Motorcycles	6	
Generators		.38	Engines		.54	Personal Watercraft (PWC)		.79
<b>CRUSADER</b>			Generator Sets		.54	Small Engines		.80
Engines - Marine	3		<b>GLENWOOD</b>			Utility Vehicle (UTV)		.80
Inboard & Sterndrive		.38	Inboard	4		<b>KOHLER</b>		
<b>CUB CADET</b>			<b>GRASSHOPPER</b>			Engines		.81
Mowers - Professional		.39	Tractors - Lawn		.54	<b>KUBOTA</b>		
Mowers - Ride Behind		.39	<b>GRAVELY</b>			Excavators	6	.82
Mowers - Riding		.39	Tractors - Lawn		.54	Generator Sets		.82

# MAKE / MODEL INDEX

MAKE / MODEL	ALT PAGE #	STR PAGE #	MAKE / MODEL	ALT PAGE #	STR PAGE #	MAKE / MODEL	ALT PAGE #	STR PAGE #
<b>KUBOTA - continued</b>			<b>PANTHER</b>			<b>TORO</b>		
Tractors - Garden		.86	Inboard & Sterndrive	17		Aerator		.133
Tractors - Lawn		.86				Loaders - Compact		.133
Tractors - Sub Compact		.86	<b>PERKINS</b>			Misc. Equipment		.135
Tractors - Utility		.87	Engines - Marine	17	.121	Mowers - Fairway	18	.133
Utility Vehicle (UTV)		.87	Inboard & Sterndrive		.121	Mowers - Greens		.134
<b>LEHMAN</b>			<b>PLEASURECRAFT</b>			Mowers - Walk Behind		.134
Inboard		7	Inboard & Sterndrive	17	.121	Mowers - Zero Turn		.135
<b>LUCAS</b>			<b>POLARIS</b>			Sports Field Equipment		.135
Marine Alternators		7	All-Terrain Vehicle (ATV)		.123	Sprayers		.135
<b>LYNX</b>			Personal Watercraft (PWC)		.124	Tractors - Garden		.135
Snowmobiles		.87	Snowmobiles		.124	Tractors - Lawn		.135
<b>MANDO</b>			Utility Vehicle (UTV)		.125	Utility Vehicle (UTV)	18	.163
Marine Alternators		7	<b>RENAULT</b>			<b>U.S. MARINE</b>		
<b>MARINER</b>			Engines - Marine		18	Outboard Motors		.138
Engines - Marine Outboard	7	.94	<b>RENAULT COUACH</b>			Tilt & Trim		.158
<b>MEDALIST</b>			Inboard & Sterndrive		.125	<b>UNIVERSAL</b>		
Inboard		8	<b>REX</b>			Inboard		.138
<b>MERCUISER</b>			Inboard & Sterndrive		18	<b>VALEO</b>		
Diesel Engines	8	.96	<b>ROPER</b>			Marine Alternators		18
Hi-Performance Engines	8	.97	Tractors - Lawn		.163	<b>VETUS</b>		
Inboard Engines	10	.98	<b>ROTAX MARINE - BRP</b>			Inboard & Sterndrive		19
Ski Engines	10	.98	Engines		.126	<b>VICTORY</b>		
Stern Drives	13	.103	<b>SABB</b>			Motorcycles		.138
<b>MERCURY</b>			Engines - Marine		18	<b>VOLVO PENTA</b>		
Engines - Marine Outboard	15	.104	<b>SABO</b>			Inboard & Sterndrive	22	.138
Tilt & Trim		.157	Tractors - Lawn		.126	Tilt & Trim		.158
<b>MEYER</b>			<b>SABRE</b>			<b>WAUKESHA</b>		
Plow Motors		.159	Engines - Marine		18	Inboard & Sterndrive		.142
<b>MITSUBISHI</b>			<b>SCOTT'S</b>			<b>WESTERBEKE</b>		
Inboard		15	Tractors - Lawn		.126	Generator Sets		.142
<b>MOTOROLA</b>			<b>SEA-DOO</b>			Inboard		.142
Marine Alternators		15	Personal Watercraft (PWC)		.127	<b>WESTERN PRODUCTS</b>		
<b>MUSTANG</b>			Sportboats		.127	Plow Motors		.159
Skid Steer Loaders		.114	<b>SEA-DRIVE</b>			<b>WISCONSIN ROBBINS</b>		
<b>NANNI</b>			Tilt & Trim		.157	Engines		.142
Engines - Marine		15	<b>SIMPLICITY</b>			<b>YAMAHA</b>		
<b>NEW HOLLAND</b>			Tractors - Lawn		.163	All-Terrain Vehicle (ATV)		.143
Excavators		.114	<b>SKI-DOO</b>			Golf Carts		.163
Loaders - Compact		.114	Snowmobiles		.129	Motorcycles		.144
Mowers		.115	<b>STEWART &amp; STEVENSON</b>			Outboard Motors		.149
Mowers - Front	16	.115	Inboard & Sterndrive	18		Personal Watercraft (PWC)		.150
Mowers - Zero Turn		.115	<b>SUZUKI</b>			Scooters		.151
Skid Steer Loaders	16	.115	All-Terrain Vehicle (ATV)		.130	Snowmobiles		.151
Tractors - Compact	17	.116	Engines - Marine Outboard		.131	Sportboats		.152
Tractors - Garden		.117	Motorcycles		.131	Tilt & Trim		.158
Tractors - Lawn		.117	Tilt & Trim		.157	Utility Vehicle (UTV)		.152
Tractors - Utility		.118	<b>TECUMSEH</b>			<b>YANMAR</b>		
<b>NISSAN</b>			Engines		.132	Engines - Industrial	26	.153
Engines - Marine Outboard		.118	<b>TELEDYNE</b>			Engines - Marine	28	.153
<b>OMC</b>			Inboard & Sterndrive		.132	Generator Sets		.28
Engines - Marine	17	.120	<b>THERMO ELECTRON</b>			Tractors	28	.154
Tilt & Trim		.157	Engines - Marine		.132	<b>TOHATSU</b>		
<b>ONAN</b>			<b>TOHATSU</b>			Engines - Marine Outboard		.133
Engines		.121	Engines - Marine		.133	Tilt & Trim		.158
<b>OWENS YACHT</b>			<b>TOHATSU</b>					
Inboard & Sterndrive		.121						
Inboard & Sterndrive		.121						



Model	Engine	Year	Option	Mfg Amp	OEM #	PART NO.	REF.
-------	--------	------	--------	---------	-------	----------	------

## BAUDOQUIN

### Engines - Marine

D106	Diesel	73-On	Motorola System	VA 45	9AR3743G	1-2880-01VA	12409
Various Models		All	Motorola System	VA 45	9AR3743G	1-2880-01VA	12409
	Diesel	73-On	Paris Rhone System	VA 30	A13N143M	1-2882-00VA	12415

## BMW

### Inboard Engines

Various Models	B130 Engine	87-78	Valeo System	VA 50	A13N147M	1-1938-01PR-2	13068
			Valeo System	VA 50	A13N2M	1-1938-01PR-2	13068
	B190 Engine	87-78	Valeo System	VA 50	A13N147M	1-1938-01PR-2	13068
			Valeo System	VA 50	A13N2M	1-1938-01PR-2	13068
	B220 Engine	87-78	Valeo System	VA 50	A13N147M	1-1938-01PR-2	13068
			Valeo System	VA 50	A13N2M	1-1938-01PR-2	13068

## BUKH

### Engines - Marine

2G105	2.3L - 2251cc - Diesel Engine	All	Valeo System (12V)	VA 50	A13N147M	1-1938-01PR-2	13068
			Valeo System (12V)	VA 50	A13N1M	1-1938-01PR-2	13068
3G105	3.4L - 3381cc - Diesel Engine	All	Valeo System (12V)	VA 50	A13N147M	1-1938-01PR-2	13068
			Valeo System (12V)	VA 50	A13N1M	1-1938-01PR-2	13068
4K105	4.5L - 4500cc - Diesel Engine	75-On	Valeo System (12V)	VA 50	A13N1M	1-1938-01PR-2	13068
6K105	6.8L - 6751cc - Diesel Engine	75-On	Valeo System (12V)	VA 50	A13N1M	1-1938-01PR-2	13068
DV10	10HP - 2cyl - Diesel Engine	All	Valeo System (12V)	VA 50	A13N1M	1-1938-01PR-2	13068
DV10ME	10HP - 2cyl - Diesel Engine	All	Valeo System (12V)	VA 50	A13N1M	1-1938-01PR-2	13068
DV10SME	10HP - 2cyl - Diesel Engine	All	Valeo System (12V)	VA 50	A13N1M	1-1938-01PR-2	13068
DV20	20HP - 2cyl - Diesel Engine	All	Valeo System (12V)	VA 50	A13N147M	1-1938-01PR-2	13068
			Valeo System (12V)	VA 50	A13N1M	1-1938-01PR-2	13068
			Paris Rhone System (24V)	VA 30	A13N143M	1-2882-00VA	12415
			Paris Rhone System (24V)	VA 30	A13N36M	1-2882-00VA	12415
DV20ME	20HP - 2cyl - Diesel Engine	All	Valeo System (12V)	VA 50	A13N1M	1-1938-01PR-2	13068
DV20SME	20HP - 2cyl - Diesel Engine	All	Valeo System (12V)	VA 50	A13N1M	1-1938-01PR-2	13068
DV36	36HP - 3cyl - Diesel Engine	All	Valeo System (12V)	VA 50	A13N1M	1-1938-01PR-2	13068
			Paris Rhone System (24V)	VA 30	A13N36M	1-2882-00VA	12415
DV36ME	36HP - 3cyl - Diesel Engine	All	Valeo System (12V)	VA 50	A13N147M	1-1938-01PR-2	13068
			Valeo System (12V)	VA 50	A13N1M	1-1938-01PR-2	13068
			Paris Rhone System (24V)	VA 30	A13N143M	1-2882-00VA	12415
DV36SME	36HP - 3cyl - Diesel Engine	All	Valeo System (12V)	VA 50	A13N147M	1-1938-01PR-2	13068
			Paris Rhone System (24V)	VA 30	A13N143M	1-2882-00VA	12415
DV48ME	Diesel Engines	All	Valeo System (12V)	VA 50	A13N147M	1-1938-01PR-2	13068
			Valeo System (12V)	VA 50	A13N1M	1-1938-01PR-2	13068
DV48SME	Diesel Engines	All	Valeo System (12V)	VA 50	A13N147M	1-1938-01PR-2	13068
			Valeo System (12V)	VA 50	A13N1M	1-1938-01PR-2	13068

## CASE

### Tractors - Compact

D35	Shibaura 1.7L 35HP Dsl	04-On	Mitsubishi System	MI 40	A7T03877	1-2480-01MI	12077
D40	Shibaura 2.0L 35HP Dsl	04-On	Mitsubishi System	MI 40	A7T03877	1-2480-01MI	12077
D45	Shibaura 2.2L 45HP Dsl	04-On	Mitsubishi System	MI 40	A7T03877	1-2480-01MI	12077
DX29	Shibaura 1.3L 29HP Dsl	04-On	Mitsubishi System	MI 40	A7T03877	1-2480-01MI	12077
DX31	Shibaura 1.5L 31HP Dsl	06-On	wo/Cab	MI 40	A7T03877	1-2480-01MI	12077
DX33	Shibaura 1.5L 33HP Dsl	04-On	Mitsubishi System	MI 40	A7T03877	1-2480-01MI	12077
DX34	Shibaura 1.7L 35HP Dsl	06-On	wo/Cab	MI 40	A7T03877	1-2480-01MI	12077
DX35	Shibaura 1.7L 35HP Dsl	04-On	Mitsubishi System	MI 40	A7T03877	1-2480-01MI	12077
DX40	Shibaura 2.0L 35HP Dsl	04-On	Mitsubishi System	MI 40	A7T03877	1-2480-01MI	12077
DX45	Shibaura 2.2L 45HP Dsl	04-On	Mitsubishi System	MI 40	A7T03877	1-2480-01MI	12077

## CATERPILLAR

### Engines - Marine

Various Models	3145	74-On	Delco System (25SI - 12V)	DR 75	1117255	20-119-1	7255
	3150	74-On	Delco System (25SI - 12V)	DR 75	1117255	20-119-1	7255
	3160	74-On	Delco System (25SI - 12V)	DR 75	1117255	20-119-1	7255
	3176	97-92	Delco System (30SI - 12V)	DR 105	1117801	20-1163-1	7940

♦ See Buyer's Guide for Optional Units

# ALTERNATORS

Model	Engine	Year	Option	Mfg	Amp	OEM #	PART NO.	REF.
-------	--------	------	--------	-----	-----	-------	----------	------

## CATERPILLAR - continued

### Engines - Marine - continued

Various Models	3196	97-0n	Delco System (30SI - 12V)	DR	105	1117801	20-1163-1	7940
	3208	93-91	Delco System (25SI - 24V)	DR	75	1117069	20-178-1	7252
		90-86	Delco System (20SI - 12V)	DR	60	1117612	20-117-1	7266
			Delco System (20SI - 24V)	DR	45	1117615	20-118-1	7297
	3304	93-91	Delco System (25SI - 24V)	DR	75	1117069	20-178-1	7252
			Delco System (20SI - 12V)	DR	60	1117612	20-117-1	7266
			Delco System (20SI - 24V)	DR	45	1117615	20-118-1	7297
			Delco System (25SI - 24V)	DR	75	1117069	20-178-1	7252
	3306	93-91	Delco System (25SI - 24V)	DR	75	1117069	20-178-1	7252
			Delco System (20SI - 12V)	DR	60	1117612	20-117-1	7266
			Delco System (20SI - 24V)	DR	45	1117615	20-118-1	7297
			Delco System (25SI - 24V)	DR	75	1117069	20-178-1	7252
	3406	93-91	Delco System (25SI - 24V)	DR	75	1117069	20-178-1	7252
			Delco System (20SI - 12V)	DR	60	1117612	20-117-1	7266
			Delco System (20SI - 24V)	DR	45	1117615	20-118-1	7297
			Delco System (25SI - 24V)	DR	75	1117069	20-178-1	7252
	3408	93-91	Delco System (25SI - 24V)	DR	75	1117069	20-178-1	7252
			Delco System (20SI - 12V)	DR	60	1117612	20-117-1	7266
			Delco System (20SI - 24V)	DR	45	1117615	20-118-1	7297
			Delco System (25SI - 24V)	DR	75	1117069	20-178-1	7252
	3412	93-91	Delco System (25SI - 24V)	DR	75	1117069	20-178-1	7252
			Delco System (20SI - 12V)	DR	60	1117612	20-117-1	7266
			Delco System (20SI - 24V)	DR	45	1117615	20-118-1	7297
			Delco System (25SI - 24V)	DR	75	1117069	20-178-1	7252
	3508	93-86	Delco System (20SI - 24V)	DR	45	1117615	20-118-1	7297
			Delco System (25SI - 24V)	DR	75	1117069	20-178-1	7252
	3512	93-86	Delco System (20SI - 24V)	DR	45	1117615	20-118-1	7297
			Delco System (25SI - 24V)	DR	75	1117069	20-178-1	7252
3516	93-86	Delco System (20SI - 24V)	DR	45	1117615	20-118-1	7297	
		Delco System (25SI - 24V)	DR	75	1117069	20-178-1	7252	

## CHRYSLER

### Engines - Marine IB & Stern

Various Models	Chrysler Engines	85-0n	Motorola - w/Tach Hookup	MD	55	8EM2007KA	1-1947-01MD	7496
	LM318X	88-70	Prestolite (Opt.)	DR	61	ANE5202S	1-2885-01 ♦	7324
			Prestolite (Opt.)	DR	61	ANE5202YS	1-2885-01 ♦	7324
			Prestolite (Std.)	DR	61	ANE5201S	1-2885-01 ♦	7324
	LM340X	88-70	Prestolite (Opt.)	DR	61	ANE5202S	1-2885-01 ♦	7324
			Prestolite (Opt.)	DR	61	ANE5202YS	1-2885-01 ♦	7324
			Prestolite (Std.)	DR	61	ANE5201S	1-2885-01 ♦	7324
	LM383X	88-70	Prestolite (Opt.)	DR	61	ANE5202S	1-2885-01 ♦	7324
			Prestolite (Opt.)	DR	61	ANE5202YS	1-2885-01 ♦	7324
			Prestolite (Std.)	DR	61	ANE5201S	1-2885-01 ♦	7324
	M265	88-74	Prestolite (Opt.)	DR	61	ANE5202S	1-2885-01 ♦	7324
			Prestolite (Opt.)	DR	61	ANE5202YS	1-2885-01 ♦	7324
			Prestolite (Std.)	DR	61	ANE5201S	1-2885-01 ♦	7324
		73-70	Prestolite (Opt.)	DR	61	ANE5202S	1-2885-01 ♦	7324
			Prestolite (Opt.)	DR	61	ANE5202YS	1-2885-01 ♦	7324
			Prestolite (Std.)	DR	61	ANE5201S	1-2885-01 ♦	7324
	M273X	88-70	Prestolite (Opt.)	DR	61	ANE5202S	1-2885-01 ♦	7324
			Prestolite (Opt.)	DR	61	ANE5202YS	1-2885-01 ♦	7324
			Prestolite (Std.)	DR	61	ANE5201S	1-2885-01 ♦	7324
	Gas	85-0n	2nd Prod. w/Tach. Hookup	MD	55	8EM2007KA	1-1947-01MD	7496

## CRUSADER

### Engines - Marine

305	8 Cyl., 350CI, 5.7L	04-02	6-Groove Pulley	DR	70	19020606	1-3045-01DR	8467
			1-V Pulley	DR	70	19020608	1-2484-01DR	8466

♦ See Buyer's Guide for Optional Units

Model	Engine	Year	Option	Mfg	Amp	OEM #	PART NO.	REF.
-------	--------	------	--------	-----	-----	-------	----------	------

## CRUSADER - continued

### Engines - Marine - continued

350	8 Cyl., 305CI, 5.0L	04-85		MD	55	A000B0341	<b>1-2459-01MD</b>	12751
	8 Cyl., 350CI, 5.7L	04-02	6-Groove Pulley	DR	70	19020606	<b>1-3045-01DR</b>	8467
496	8 Cyl., 496CI, 8.1L	04-01	1-V Pulley	DR	70	19020608	<b>1-2484-01DR</b>	8466
			6-Groove Pulley	DR	70	19020606	<b>1-3045-01DR</b>	8467
Various Models	Various Engines	All	1-V Pulley	DR	70	19020608	<b>1-2484-01DR</b>	8466
			Delco 10SI 1-Wire	DR	61	1102496	<b>20-159-1</b>	7152
			Delco 7SI System	DR	70	19020617	<b>1-3045-02DR</b>	8467
			Delco 7SI System	DR	70	RA097007	<b>1-3045-01DR</b>	8467
			Mando 55A Alternator	MD	55	AR150AA	<b>1-1947-01MD</b>	12174
			Mando 65A Alternator	MD	65	AC165618	<b>1-2307-31MD</b>	12177

## CUB CADET

### Tractors - Compact

7192	Mitsubishi 19HP 3-65 Diesel	97-95	Mitsubishi System	MI	40	MM435752	<b>1-2392-01MI</b>	12231
7193	Mitsubishi 19HP 3-65 Diesel	97-96	Mitsubishi System	MI	40	MM435752	<b>1-2392-01MI</b>	12231
7194	Mitsubishi 19HP 3-65 Diesel	97-95	Mitsubishi System	MI	40	MM435752	<b>1-2392-01MI</b>	12231
7195	Mitsubishi 19HP 3-65 Diesel	97-95	Mitsubishi System	MI	40	MM435752	<b>1-2392-01MI</b>	12231
7232	Mitsubishi 23HP 3-75 Diesel	97-95	Mitsubishi System	MI	40	MM435752	<b>1-2392-01MI</b>	12231
7233	Mitsubishi 23HP 3-75 Diesel	97-96	Mitsubishi System	MI	40	MM435752	<b>1-2392-01MI</b>	12231
7234	Mitsubishi 23HP 3-75 Diesel	97-95	Mitsubishi System	MI	40	MM435752	<b>1-2392-01MI</b>	12231
7235	Mitsubishi 23HP 3-75 Diesel	97-95	Mitsubishi System	MI	40	MM435752	<b>1-2392-01MI</b>	12231
7272	Mitsubishi 27HP 3-91 Diesel	97-95	Mitsubishi System	MI	40	MM435752	<b>1-2392-01MI</b>	12231
7273	Mitsubishi 27HP 3-91 Diesel	97-96	Mitsubishi System	MI	40	MM435752	<b>1-2392-01MI</b>	12231
7274	Mitsubishi 27HP 3-91 Diesel	97-95	Mitsubishi System	MI	40	MM435752	<b>1-2392-01MI</b>	12231
7275	Mitsubishi 27HP 3-91 Diesel	97-95	Mitsubishi System	MI	40	MM435752	<b>1-2392-01MI</b>	12231
7300	Mitsubishi 30HP 3-91 Diesel	03-98	Mitsubishi System (To 21495)	MI	40	MM435752	<b>1-2392-01MI</b>	12231
7305	Mitsubishi 30HP 3-91 Diesel	03-98	Mitsubishi System (To 22230)	MI	40	MM435752	<b>1-2392-01MI</b>	12231

### Tractors - Utility

7195	3-65 (19HP) Diesel	97-95	Mitsubishi System	MI	40	A0T25371	<b>1-2392-01MI</b>	12231
7235	3-75 (23HP) Diesel	97-95	Mitsubishi System	MI	40	A0T25371	<b>1-2392-01MI</b>	12231
7275	3-91 (27HP) Mitsubishi Dsl	97-95	Mitsubishi System	MI	40	A0T25371	<b>1-2392-01MI</b>	12231

## CUMMINS

### Inboard

V Series		87-86		DR	60	1117805	<b>20-132-1</b>	7975
----------	--	-------	--	----	----	---------	-----------------	------

## CUMMINS MERCUISER

### Inboard

EI 165	4 Cyl., 169CI, 2.8L	05-04		MD	65	AC165617	<b>1-2310-31MD</b>	12176
EI 250	6 Cyl., 254CI, 4.2L	05-04		MD	65	AC165617	<b>1-2310-31MD</b>	12176
EI 300	6 Cyl., 254CI, 4.2L	05-04		MD	65	AC165617	<b>1-2310-31MD</b>	12176

### Stern Drives

ES 165	4 Cyl., 169CI, 2.8L	05-04		MD	65	AC165617	<b>1-2310-31MD</b>	12176
ES 250	6 Cyl., 254CI, 4.2L	05-04		MD	65	AC165617	<b>1-2310-31MD</b>	12176
ES 300	6 Cyl., 254CI, 4.2L	05-04		MD	65	AC165617	<b>1-2310-31MD</b>	12176

## DAF

### Engines - Marine

Various Models		All	Paris Rhone System	VA	30	A13N143M	<b>1-2882-00VA</b>	12415
----------------	--	-----	--------------------	----	----	----------	--------------------	-------

## DETROIT DIESEL

### Inboard

8.2L	DD 8 Cyl., 500CI, 8.2L	88-On	Delco 25SI Series	DR	75	1117241	<b>20-119-1</b>	7255
			Delco 26SI Series	DR	85	1117280	<b>1-2301-00DR</b>	8060
			Delco 27SI Series	DR	80	1100080	<b>20-124-1</b>	7138

## EVINRUDE

### Engines - Marine Outboard

All Models	80,120,155,185,200,210 H.P.	68	Alternator Equipped	DR	61	ALK6207	<b>1-2834</b>	7317
------------	-----------------------------	----	---------------------	----	----	---------	---------------	------

## FARYMAN

### Engines - Marine

A30M	Diesel	73-On	Motorola System	VA	35	9AR2775F	<b>1-2881-00VA</b>	12407
------	--------	-------	-----------------	----	----	----------	--------------------	-------

♦ See Buyer's Guide for Optional Units



# ALTERNATORS

Model	Engine	Year	Option	Mfg	Amp	OEM #	PART NO.	REF.
-------	--------	------	--------	-----	-----	-------	----------	------

## FARYMAN - continued

### Engines - Marine - continued

K34M	Diesel	73-On	Motorola System	VA	35	9AR2775F	1-2881-00VA	12407
L38M	Diesel	73-On	Motorola System	VA	35	9AR2775F	1-2881-00VA	12407
Various Models		All	Motorola System	VA	35	9AR2775F	1-2881-00VA	12407

## FORD

### Tractors - Compact

1320	3-77 Shibaura Diesel	98-87	w/Mitsubishi Alt.	MI	40	SBA18504-6320	1-2480-01MI	12077
1520	3-81 Shibaura Diesel	97-87	w/Mitsubishi Alt.	MI	40	SBA18504-6320	1-2480-01MI	12077
1530	3-81 Shibaura Diesel	98-96	wo/Cab	MI	40	SBA18504-6320	1-2480-01MI	12077
1620	3-81 Shibaura Diesel	97-91	w/Mitsubishi Alt.	MI	40	SBA18504-6320	1-2480-01MI	12077
1630	3-81 Shibaura Diesel	98-96	w/Mitsubishi Alt.	MI	40	SBA18504-6320	1-2480-01MI	12077
1715	3-81 Shibaura Diesel	97-93	w/Mitsubishi Alt.	MI	40	SBA18504-6320	1-2480-01MI	12077
1720	3-91 Shibaura Diesel	02-87	w/Mitsubishi Alt.	MI	40	SBA18504-6320	1-2480-01MI	12077
1725	3-81 Shibaura Diesel	98-96	w/Mitsubishi Alt.	MI	40	SBA18504-6320	1-2480-01MI	12077
1920	4-122 Shibaura Diesel	02-87	w/Mitsubishi Alt.	MI	40	SBA18504-6320	1-2480-01MI	12077
1925	3-91 Shibaura Diesel	98-96	wo/Cab	MI	40	SBA18504-6320	1-2480-01MI	12077
2120	4-139 Shibaura Diesel	02-87	w/Mitsubishi Alt.	MI	40	SBA18504-6320	1-2480-01MI	12077
3415	4-135 Shibaura Diesel	02-93	w/Mitsubishi Alt.	MI	40	SBA18504-6320	1-2480-01MI	12077

## FORD FORNAUT

### Inboard

2713E		75-On	Motorola System	VA	45	9AR3791G	1-2880-01VA	12409
			Motorola System	VA	45	9AR3711G	1-2880-01VA	12409
2714E		75-On	Motorola System	VA	45	9AR3791G	1-2880-01VA	12409
			Motorola System	VA	45	9AR3711G	1-2880-01VA	12409
2715E		75-On	Motorola System	VA	45	9AR3791G	1-2880-01VA	12409

## GLENWOOD

### Inboard

Various		89-On	Motorola System	MD	55	8EM2007K	1-1947-01MD	7496
---------	--	-------	-----------------	----	----	----------	-------------	------

## HARDIN

### Stern Drives

Various		85-On	w/1 Hole Mount w/Tach. Hookup	MD	55	8EM2007K	1-1947-01MD	7496
		72-On	w/Spark Arrestor Screen	DR	61		20-159-1	7152

## HONDA

### Motorcycles

GL1500 Gold Wing	1520cc	90	Hitachi System	HI	40	31100-MT2-005	1-2494-01HI♦	12485
GL1500A Gold Wing Aspencade	1520cc	00-91	Hitachi System	HI	40	31100-MT2-005	1-2494-01HI♦	12485
GL1500I Gold Wing Interstate	1520cc	96-91	Hitachi System	HI	40	31100-MT2-005	1-2494-01HI♦	12485
GL1500SE Gold Wing	1520cc	00-90	Hitachi System	HI	40	31100-MT2-005	1-2494-01HI♦	12485
GL1800 Gold Wing	1832cc	04-01	Mitsubishi System	MI	75	31100-MCA-003	1-2952-01MI	12488
GL1800A Gold Wing	1832cc	04-01	Mitsubishi System	MI	75	31100-MCA-003	1-2952-01MI	12488

## INDMAR

### Inboard & Stern Drive

Various		85-On	w/1 Hole Mount w/Tach. Hookup	MD	55	8EM2007K	1-1947-01MD	7496
---------	--	-------	-------------------------------	----	----	----------	-------------	------

## JACUZZI JET

### Stern Drives

Various		85-On	w/1 Hole Mount w/Tach. Hookup	MD	55	8EM2007K	1-1947-01MD	7496
		72-On	w/Spark Arrestor Screen	DR	61		20-159-1	7152

## JOHN DEERE

### Mowers - Fairway

3215B	JD Series 220 26HP Dsl	All	w/Denso 40A Alternator	ND	40	100211-4531	1-2335-01ND	12188
3225B	JD Series 220 32HP Dsl	All	w/Denso 40A Alternator	ND	40	100211-4531	1-2335-01ND	12188
3225C	JD Series 220 38.5HP Dsl	All	w/Denso 40A Alternator	ND	40	100211-4531	1-2335-01ND	12188
3235B	JD Series 220 39HP Dsl	All	w/Denso 40A Alternator	ND	40	100211-4531	1-2335-01ND	12188
3235C	JD Series 220 48HP Dsl	All	w/Denso 40A Alternator	ND	40	100211-4531	1-2335-01ND	12188
3245C	JD Series 220 48HP Dsl	All	w/Denso 40A Alternator	ND	40	100211-4531	1-2335-01ND	12188

♦ See Buyer's Guide for Optional Units

Model	Engine	Year	Option	Mfg	Amp	OEM #	PART NO.	REF.
<b>JOHN DEERE - continued</b>								
<b>Mowers - Front</b>								
F1145	Yanmar 3TN75	92-On	Denso System	ND	40	100211-4530	1-2335-01ND	12188
	Yanmar 3TNE78A	92-On	Denso System	ND	40	100211-4530	1-2335-01ND	12188
<b>Mowers - Trim</b>								
7200	Yanmar 26.4HP Dsl	All	Denso System	ND	40	100211-4530	1-2335-01ND	12188
<b>Mowers - Turf</b>								
3325	From Ser. #002742	All	Denso System	ND	40	100211-4531	1-2335-01ND	12188
3365	From Ser. #002742	All	Denso System	ND	40	100211-4531	1-2335-01ND	12188
<b>Mowers - Wide Area</b>								
1600	Yanmar 51HP Dsl	All	w/Std. 40A	ND	40	100211-4531	1-2335-01ND	12188
1620	Yanmar 51HP Dsl	All	w/Std. 40A	ND	40	100211-4531	1-2335-01ND	12188
<b>Mowers - Z-Trak</b>								
997	Yanmar 30HP Dsl	All	w/Std. 40A	ND	40	100211-4531	1-2335-01ND	12188
<b>Skid Steer Loaders</b>								
317	JD 4024T 57HP Engine	05-0n	Denso System	ND	40	100211-4530	1-2335-01ND	12188
320	JD 4024T 62HP Engine	05-0n	Denso System	ND	40	100211-4530	1-2335-01ND	12188
675	Yanmar 4TNA82	89-87	Denso System	ND	40	100211-4530	1-2335-01ND	12188
675B	Yanmar 4TNA82	94-87	Denso System	ND	40	100211-4530	1-2335-01ND	12188
4475	Yanmar 31HP Diesel	98-94	w/Hitachi Alt.	HI	40	LR140-714B	1-2315-01HI	12112
5575	Yanmar 36HP Diesel	98-95	w/Hitachi Alt.	HI	40	LR140-714B	1-2315-01HI	12112
6675	Yanmar 42HP Diesel	98-94	w/Hitachi Alt.	HI	40	LR140-714B	1-2315-01HI	12112
7775	Yanmar 49HP Diesel	98-94	w/Hitachi Alt.	HI	40	LR140-714B	1-2315-01HI	12112
<b>Tractors - Lawn</b>								
425	20HP	97-93	40A Alternator Only	ND	40	100211-4530	1-2335-01ND	12188
430	Yanmar 22HP Dsl	91-84	3TNA72 Engine (#030104-0n)	ND	40	100211-4530	1-2335-01ND	12188
445	22HP Gas	97-93	40A Alternator Only	ND	40	100211-4530	1-2335-01ND	12188
455	Yanmar 22HP Dsl	97-93	40A Alternator Only	ND	40	100211-4530	1-2335-01ND	12188
X495	Yanmar 24HP Dsl	All	w/40A Alternator	ND	40	AM877740	1-2335-01ND	12188
X595 4WD	Yanmar 24HP Dsl	All	w/40A Alternator	ND	40	AM877740	1-2335-01ND	12188
X740	Yanmar 24HP Dsl	All	w/40A Alternator	ND	40	AM877740	1-2335-01ND	12188
X744	Yanmar 24HP Dsl	All	w/40A Alternator	ND	40	AM877740	1-2335-01ND	12188
X748	Yanmar 24HP Dsl	All	w/40A Alternator	ND	40	AM877740	1-2335-01ND	12188
X748SE	Yanmar 24HP Dsl	All	w/40A Alternator	ND	40	AM877740	1-2335-01ND	12188
X749	Yanmar 24HP Dsl	All	w/40A Alternator	ND	40	AM877740	1-2335-01ND	12188
<b>Tractors - Utility</b>								
655	Yanmar Engines	95-93	From Ser. #025202	ND	40	100211-4531	1-2335-01ND	12188
755	Yanmar 3T72	95-93	From Ser. #0030104	ND	40	100211-4531	1-2335-01ND	12188
756	Yanmar 3T72	90-86	From Ser. #0030104	ND	40	100211-4531	1-2335-01ND	12188
855	Yanmar 3T72	95	From Ser. #009849	ND	40	100211-4531	1-2335-01ND	12188
856	Yanmar 3T72	90-86	From Ser. #009849	ND	40	100211-4531	1-2335-01ND	12188
955	Yanmar Diesel	95-90	From Ser. #009849	ND	40	100211-4531	1-2335-01ND	12188
3005	Yanmar 27.5HP Dsl	All	w/Denso 40A Alternator	ND	40	AM877740	1-2335-01ND	12188
4005	Yanmar 41.5HP Dsl	All	w/Denso 40A Alternator	ND	40	100211-4531	1-2335-01ND	12188
4010	Yanmar 18.5HP Dsl	02-On	w/Denso 40A Alternator	ND	40	100211-4531	1-2335-01ND	12188
4110	Yanmar 20HP Dsl	02-On	w/Denso 40A Alternator	ND	40	100211-4531	1-2335-01ND	12188
<b>Utility Vehicle (UTV)</b>								
Gator 6 x 4	Yanmar 18HP Dsl			ND	40	100211-4530	1-2335-01ND	12188
		All	Denso System	ND	40	100211-4530	1-2335-01ND	12188
Gator HPX	Yanmar 3TNE68 20HP Dsl	All	Denso System	ND	40	100211-4530	1-2335-01ND	12188
Gator TH 6x4	Yanmar 20HP Dsl	All	Denso System	ND	40	AM877740	1-2335-01ND	12188
Gator XUV 850D 4x4	Yanmar 3TNV70 24HP Dsl	All	Denso System	ND	40	AM877740	1-2335-01ND	12188
M-Gator A1 Military	Yanmar 3TN66C 18HP Dsl	All	Denso System	ND	40	AM877740	1-2335-01ND	12188
	Yanmar 3TNV70 20HP Dsl	All	Denso System	ND	40	AM877740	1-2335-01ND	12188
Trail Gator 6 x 4	Yanmar 18HP Dsl			ND	40	100211-4530	1-2335-01ND	12188
		All	Denso System	ND	40	100211-4530	1-2335-01ND	12188
<b>JOHNSON</b>								
<b>Engines - Marine</b>								
All Models	Various Engines	68	Alternator Equipped	DR	61	ALK6207	1-2834	7317

◆ See Buyer's Guide for Optional Units

# ALTERNATORS

Model	Engine	Year	Option	Mfg Amp	OEM #	PART NO.	REF.
-------	--------	------	--------	---------	-------	----------	------

## KAWASAKI

### Motorcycles

ZG1200 Voyager XII A1	1196cc	86	Mitsubishi System	MI 35	21001-1083	1-2891-00MI	12481
ZG1200 Voyager XII B1-B5	1196cc	91-87	Mitsubishi System	MI 35	21001-1083	1-2891-00MI	12481

## KUBOTA

### Excavators

KX41	Kubota D1105BH 22HP Dsl	92-On	w/Denso Alternator	ND 40	100211-1670	1-2476-01ND	12179
KX41-2	Kubota D1105BH 21.6HP Dsl	95-On	w/Denso Alternator	ND 40	100211-1670	1-2476-01ND	12179
KX41-2S	Kubota D1105BH 21.6HP Dsl	00-On	w/Denso Alternator	ND 40	100211-1670	1-2476-01ND	12179
KX41-2SV	Kubota D1105BH 21.6HP Dsl	00-On	w/Denso Alternator	ND 40	100211-1670	1-2476-01ND	12179
KX41-3	Kubota D902EBH 17HP Dsl	05-Bk	w/Denso Alternator	ND 40	100211-1670	1-2476-01ND	12179
KX61-2	Kubota D1105BH 27HP Dsl	95-On	w/Denso Alternator	ND 40	100211-1670	1-2476-01ND	12179
KX61-2S	Kubota D1105BH 27HP Dsl	95-On	w/Denso Alternator	ND 40	100211-1670	1-2476-01ND	12179
KX71H	Kubota V1505BH 32.2HP Dsl	03-Bk	w/Denso Alternator	ND 40	100211-1670	1-2476-01ND	12179
KX91-2	Kubota V1505BH 27.5HP Dsl	95-On	w/Denso Alternator	ND 40	100211-1670	1-2476-01ND	12179
KX91-2S	Kubota V1505EBH 27.5HP Dsl	00-On	w/Denso Alternator	ND 40	100211-1670	1-2476-01ND	12179

### Loaders

R310	Kubota V1305 26.6HP Dsl	89-On	w/Denso Alternator	ND 40	100211-1670	1-2476-01ND	12179
R510	Kubota V2203DI 50HP Dsl	90-On	w/Denso Alternator	ND 45	100211-6800	1-2966-01ND	12200
R520BU-1A	Kubota V2203 49HP Dsl	95-On	w/Denso Alternator	ND 45	100211-6800	1-2966-01ND	12200

### Misc. Equipment

F2803		86-On	w/Denso Alternator	ND 45	100211-6800	1-2966-01ND	12200
V1200N Engine		86-On	Kubota # 16241-64011	ND 40	100211-1670	1-2476-01ND	12179
V1702 Engine		91-On	Kubota # 17356-64012	ND 45	100211-6800	1-2966-01ND	12200

### Mowers - Front

F2260-R	Kubota D1005-EFM 22HP Dsl	05-Bk	w/Denso Alternator	ND 40	100211-1670	1-2476-01ND	12179
F2400	Kubota D1105-FM 24HP Dsl	89-On	w/Denso Alternator	ND 40	100211-1670	1-2476-01ND	12179
F2560-E	Kubota D1105-EFM 25HP Dsl	05-Bk	w/Denso Alternator	ND 40	100211-1670	1-2476-01ND	12179
F2560-R	Kubota D1105-EFM 25HP Dsl	05-Bk	w/Denso Alternator	ND 40	100211-1670	1-2476-01ND	12179
F2880	Kubota 28HP Diesel	06	w/Denso Alternator	ND 40	100211-1670	1-2476-01ND	12179
F2880E	Kubota 28HP Diesel	06	w/Denso Alternator	ND 40	100211-1670	1-2476-01ND	12179
F3060-R	Kubota V1305-FM 30HP Dsl	05-Bk	w/Denso Alternator	ND 40	100211-1670	1-2476-01ND	12179
F3680	Kubota 36HP Diesel	06	w/Denso Alternator	ND 40	100211-1670	1-2476-01ND	12179
F22100	Kubota D905-FZ 21HP Dsl	All	w/Denso Alternator	ND 40	100211-1670	1-2476-01ND	12179
F22400	Kubota D1105-F 24HP Dsl	All	w/Denso Alternator	ND 40	100211-1670	1-2476-01ND	12179

### Tractors - Compact

B21TL	Kubota D1005 21HP Dsl	09-01	w/Denso Alternator	ND 40	100211-1670	1-2476-01ND	12179
B21TLB	Kubota D1005 21HP Dsl	09-01	w/Denso Alternator	ND 40	100211-1670	1-2476-01ND	12179
B26	Kubota D1105-E2-UV	09-05	w/Denso Alternator	ND 40	100211-1670	1-2476-01ND	12179
B7500HSD	Kubota D1005-E 21HP Dsl	96-On	w/Denso Alternator	ND 40	100211-1670	1-2476-01ND	12179
B7510DT-F	Kubota D1005-E 21HP Dsl	07-04	w/Denso Alternator	ND 40	100211-1670	1-2476-01ND	12179
B7510DTN-R	Kubota D1005-E 21HP Dsl	07-04	w/Denso Alternator	ND 40	100211-1670	1-2476-01ND	12179
B7510DT-R	Kubota D1005-E 21HP Dsl	07-04	w/Denso Alternator	ND 40	100211-1670	1-2476-01ND	12179
B7510HSD-F	Kubota D1005-E 21HP Dsl	07-04	w/Denso Alternator	ND 40	100211-1670	1-2476-01ND	12179
B7510HSD-R	Kubota D1005-E 21HP Dsl	07-04	w/Denso Alternator	ND 40	100211-1670	1-2476-01ND	12179
B7610HSD-F	Kubota D1105-E 24HP Dsl	07-04	w/Denso Alternator	ND 40	100211-1670	1-2476-01ND	12179
B7610HSD-R	Kubota D1105-E 24HP Dsl	07-04	w/Denso Alternator	ND 40	100211-1670	1-2476-01ND	12179
L2650DT	Kubota D1402DIAE 29HP Dsl	96-90	w/Denso Alternator	ND 40	100211-4640	1-2477-01ND	12198
L2650F	Kubota D1402DIAE 29HP Dsl	93-91	w/Denso Alternator	ND 40	100211-4640	1-2477-01ND	12198
L2650GST	Kubota D1402DIAE 29HP Dsl	93-91	w/Denso Alternator	ND 40	100211-4640	1-2477-01ND	12198
L2950DT	Kubota D1462DIAE 30HP Dsl	93-91	w/Denso Alternator	ND 40	100211-4640	1-2477-01ND	12198
L2950DTGST	Kubota D1462DIAE 30HP Dsl	93-91	w/Denso Alternator	ND 40	100211-4640	1-2477-01ND	12198
L2950F	Kubota D1462DIAE 30HP Dsl	93-91	w/Denso Alternator	ND 40	100211-4640	1-2477-01ND	12198
L2950GST	Kubota D1462DIAE 30HP Dsl	93-91	w/Denso Alternator	ND 40	100211-4640	1-2477-01ND	12198
L3450DTGST	Kubota V1902DIAE 36.7HP Dsl	93-90	w/Denso Alternator	ND 40	100211-4640	1-2477-01ND	12198
L3450F	Kubota V1902DIAE 36.7HP Dsl	93-91	w/Denso Alternator	ND 40	100211-4640	1-2477-01ND	12198
L3450GST	Kubota V1902DIAE 36.7HP Dsl	93-90	w/Denso Alternator	ND 40	100211-4640	1-2477-01ND	12198
L3650DT	Kubota V1902DIXA 40.5HP Dsl	93-91	w/Denso Alternator	ND 40	100211-4640	1-2477-01ND	12198
L3650DTGST	Kubota V1902DIXA 40.5HP Dsl	93-91	w/Denso Alternator	ND 40	100211-4640	1-2477-01ND	12198
L3650DTW	Kubota V1902DIXA 40.5HP Dsl	93-90	w/Denso Alternator	ND 40	100211-4640	1-2477-01ND	12198
L3650F	Kubota V1902DIXA 40.5HP Dsl	93-91	w/Denso Alternator	ND 40	100211-4640	1-2477-01ND	12198

♦ See Buyer's Guide for Optional Units

Model	Engine	Year	Option	Mfg Amp	OEM #	PART NO.	REF.
<b>KUBOTA - continued</b>							
<b>Tractors - Compact - continued</b>							
L3650GST	Kubota V1902DIXA 40.5HP Dsl	93-90	w/Denso Alternator	ND 40	100211-4640	1-2477-01ND	12198
L3650T	Kubota V1902DIXA 40.5HP Dsl	93-90	w/Denso Alternator	ND 40	100211-4640	1-2477-01ND	12198
L4350DT	Kubota V2203DI 47.5HP Dsl	97-91	w/Denso Alternator	ND 45	100211-6800	1-2966-01ND	12200
L4350HDT	Kubota V2203DI 47.5HP Dsl	97-91	w/Denso Alternator	ND 45	100211-6800	1-2966-01ND	12200
L4350MDT	Kubota V2203DI 47.5HP Dsl	97-91	w/Denso Alternator	ND 45	100211-6800	1-2966-01ND	12200
L4850HDT	Kubota F2503DI 53HP Dsl	97-91	w/Denso Alternator	ND 45	100211-6800	1-2966-01ND	12200
L5450DT	Kubota F2803DI 54.5HP Dsl	97-91	w/Denso Alternator	ND 45	100211-6800	1-2966-01ND	12200
L5450HDT	Kubota F2803DI 54.5HP Dsl	97-91	w/Denso Alternator	ND 45	100211-6800	1-2966-01ND	12200

## LEHMAN

### Inboard

4D254	4 Cyl. Diesel	73-On	2nd Prod. w/Tach. Hookup	MD 55	8EM2007K	1-1947-01MD	7496
6D363,TC	6 Cyl. Diesel	73-On	2nd Prod. w/Tach. Hookup	MD 55	8EM2007K	1-1947-01MD	7496

## LUCAS

### Marine Alternators

Various Models	Various Engines	85-On		MD 65	AC165610	1-1948-01MD	12176
				MD 65	AC165616	1-1948-01MD	12176
				MD 65	AC165617	1-2310-31MD	12176
				MD 65	AC165618	1-2307-31MD	12177
			98-On	MD 65	AC165622	1-2464-01MD	12391
		85-On		MD 55	AC155603	1-1947-01MD	12174
				MD 55	AC155604	1-1947-01MD	12174
				MD 55	AC155614	1-2468-31MD	12268
				MD 55	AC155616	1-2309-31MD	12174
				MD 55	AR150AA	1-1947-01MD	12174
			MD 55	AR150BA	1-1947-01MD	12174	

## MANDO

### Marine Alternators

Various Models	Various Engines	85-On		MD 65	AC165610	1-1948-01MD	12176
				MD 65	AC165616	1-1948-01MD	12176
				MD 65	AC165617	1-2310-31MD	12176
				MD 65	AC165618	1-2307-31MD	12177
			98-On	MD 65	AC165622	1-2464-01MD	12391
		85-On		MD 55	AC155603	1-1947-01MD	12174
				MD 55	AC155604	1-1947-01MD	12174
				MD 55	AC155614	1-2468-31MD	12268
				MD 55	AC155616	1-2309-31MD	12174
				MD 55	AR150AA	1-1947-01MD	12174
			MD 55	AR150BA	1-1947-01MD	12174	

## MARINER

### Engines - Marine Outboard

200 (DFI)	All	All	Ser. # T178500-On	DR 50	875285T1	1-2487-01DR	8470
			Ser. # G386496-On	ND 50	828506	1-2879-01ND	12359
225 (Carb)	GM 3.0L - 183ci - 6cyl	All	All	ND 50	821663-1	1-2824-01ND-2	12358
225 (DFI)	All	All	Ser. # G59000-On	ND 50	828506	1-2879-01ND	12359
			Ser. # T178500-On	DR 50	875285T1	1-2487-01DR	8470
225 (EFI)	GM 3.0L - 183ci - 6cyl	All	All	ND 50	821663-1	1-2824-01ND-2	12358
225 SEA PRO (Carb)	GM 3.0L - 183ci - 6cyl	All	All	ND 50	821663-1	1-2824-01ND-2	12358
250 (EFI)	GM 3.0L - 183ci - 6cyl	All	All	ND 50	821663-1	1-2824-01ND-2	12358
V-115 (DFI)	GM 2.5L - 153ci - 4cyl	All	All	DR 50	857006T	1-2487-01DR	8470
V-135 (DFI)	GM 2.5L - 153ci - 4cyl	All	Ser. # G59000-On	DR 50	857006T	1-2487-01DR	8470
			Ser. # T178500-On	DR 50	875285T1	1-2487-01DR	8470
V-150 (DFI)	GM 2.5L - 153ci - 4cyl	All	Ser. # G59000-On	DR 50	857006T	1-2487-01DR	8470
			Ser. # T178500-On	DR 50	875285T1	1-2487-01DR	8470
V-175 (DFI)	GM 2.5L - 153ci - 4cyl	All	All	DR 50	875285T1	1-2487-01DR	8470

♦ See Buyer's Guide for Optional Units

# ALTERNATORS

Model	Engine	Year	Option	Mfg	Amp	OEM #	PART NO.	REF.
<b>MEDALIST</b>								
<b>Inboard</b>								
Various		89-0n	w/1 Hole Mount w/Tach. Hookup w/Radio Supression	MD	55	8EM2007K	1-1947-01MD	7496
<b>MERCUISER</b>								
<b>Diesel Engines</b>								
Model 7.3L (Bravo & MIE)	IHC 7.3L - 444ci - 8cyl	98-94	Mando 65A Alternator	MD	65	AC165610	1-1948-01MD	12176
Model D2.8L D-Tronic (Bravo & MIE)	VM 2.8L - 169ci - 4cyl	99-97	Mando 65A Alternator	MD	65	AC165610	1-1948-01MD	12176
Model D3.0L Bravo	VM 3.0L - 183ci - 5cyl	97-94	Mando 65A Alternator	MD	65	AC165610	1-1948-01MD	12176
Model D3.0L MIE	VM 3.0L - 183ci - 5cyl	95-94	Mando 65A Alternator	MD	65	AC165610	1-1948-01MD	12176
Model D3.6L Bravo	VM 3.6L - 219ci - 6cyl	96-94	Mando 65A Alternator	MD	65	AC165610	1-1948-01MD	12176
Model D3.6L MIE	VM 3.6L - 219ci - 6cyl	96-94	Mando 65A Alternator	MD	65	AC165610	1-1948-01MD	12176
Model D3.6L W Bravo (Export)	VM 3.6L - 219ci - 6cyl	96-0n	Mando 65A Alternator	MD	65	AC165610	1-1948-01MD	12176
Model D4.2L Bravo	VM 4.2L - 254ci - 6cyl	95-94	Mando 65A Alternator	MD	65	AC165610	1-1948-01MD	12176
Model D4.2L MIE	VM 4.2L - 254ci - 6cyl	95-94	Mando 65A Alternator	MD	65	AC165610	1-1948-01MD	12176
Model D4.2L/250 D-Tronic	VM 4.2L - 254ci - 6cyl	99-97	Mando 65A Alternator	MD	65	AC165610	1-1948-01MD	12176
<b>Hi-Performance Engines</b>								
Model 377 Scorpion (Gen+) (Ski)	GM 6.2L - 377ci - 8cyl	97-0n	Mando 65A Alternator	MD	65	AC165617	1-2310-31MD	12176
Model 377 Scorpion Sterndrive	GM 6.2L - 377ci - 8cyl	00-0n	Mando 65A Alternator	MD	65	AC165617	1-2310-31MD	12176
Model 420	GM 7.4L - 454ci - 8cyl	89-87	Mando 55A Alternator	MD	55	AC155603	1-1947-01MD	12174
			Mando 55A Alternator	MD	55	AR150AA	1-1947-01MD	12174
Model 425	GM 7.4L - 454ci - 8cyl	92-90	Mando 55A Alternator	MD	55	AC155603	1-1947-01MD	12174
			Mando 55A Alternator	MD	55	AR150AA	1-1947-01MD	12174
Model 425 (Gen V)	GM 7.4L - 454ci - 8cyl	93-92	Mando 55A Alternator	MD	55	AC155603	1-1947-01MD	12174
			Mando 55A Alternator	MD	55	AR150AA	1-1947-01MD	12174
Model 450 (Gen V)	GM 7.4L - 454ci - 8cyl	96-95	Mando 55A Alternator	MD	55	AC155603	1-1947-01MD	12174
Model 465	GM 8.2L - 502ci - 8cyl	92-90	Mando 55A Alternator	MD	55	AC155603	1-1947-01MD	12174
			Mando 55A Alternator	MD	55	AR150AA	1-1947-01MD	12174
Model 465 (Gen V)	GM 8.2L - 502ci - 8cyl	94-92	Mando 55A Alternator	MD	55	AC155603	1-1947-01MD	12174
			Mando 55A Alternator	MD	55	AR150AA	1-1947-01MD	12174
Model 500 (Gen +)	GM 8.2L - 502ci - 8cyl	00-99	Mando 55A Alternator	MD	55	AC155603	1-1947-01MD	12174
Model 500 (Gen V)	GM 8.2L - 502ci - 8cyl	96-94	Mando 55A Alternator	MD	55	AC155603	1-1947-01MD	12174
Model 500 (Gen VI)	GM 8.2L - 502ci - 8cyl	98-97	Mando 55A Alternator	MD	55	AC155603	1-1947-01MD	12174
Model 500 Bulldog	GM 8.9L - 540ci - 8cyl	01-90	Mando 55A Alternator	MD	55	AC155603	1-1947-01MD	12174
Model 500 EFI	GM 8.2L - 502ci - 8cyl	02-00	Delco 70A Alternator	DR	70	19020612	1-2837-01DR-2	8461
Model 525 EFI	GM 8.2L - 502ci - 8cyl	02-00	Delco 70A Alternator	DR	70	19020612	1-2837-01DR-2	8461
Model 525SC	GM 7.4L - 454ci - 8cyl	92-91	Mando 55A Alternator	MD	55	AC155603	1-1947-01MD	12174
			Mando 55A Alternator	MD	55	AR150AA	1-1947-01MD	12174
Model 525SC (Gen V)	GM 7.4L - 454ci - 8cyl	96	Mando 55A Alternator	MD	55	AC155603	1-1947-01MD	12174
			Mando 55A Alternator	MD	55	AC155603	1-1947-01MD	12174
			Mando 55A Alternator	MD	55	AR150AA	1-1947-01MD	12174
Model 525SC (Gen VI)	GM 7.4L - 454ci - 8cyl	97-0n	Mando 55A Alternator	MD	55	AC155603	1-1947-01MD	12174
Model 575SCI	GM 8.2L - 502ci - 8cyl	00-0n	S/N 0M900000 - 0M950526	DR	50	19020703	1-2487-01DR	8470
Model 600SC (Gen IV & V)	GM 8.2L - 502ci - 8cyl	96-91	Mando 55A Alternator	MD	55	AC155603	1-1947-01MD	12174
Model 600SC (Gen VI)	GM 8.2L - 502ci - 8cyl	98-97	Mando 55A Alternator	MD	55	AC155603	1-1947-01MD	12174
Model 600SCI	GM 8.2L - 502ci - 8cyl	02-0n	Delco 70A Alternator	DR	70	19020612	1-2837-01DR-2	8461
Model 662SCI		02-0n	Delco 70A Alternator	DR	70	19020612	1-2837-01DR-2	8461
Model 700SCI		02-0n	Delco 70A Alternator	DR	70	19020612	1-2837-01DR-2	8461
Model 800SC (Gen V)	GM 9.4L - 472ci - 8cyl	98-93	Mando 55A Alternator	MD	55	AC155603	1-1947-01MD	12174
Model 900SC	GM 9.0L - 542ci - 8cyl	02-99	Delco (Korean) 65A Alt.	DR	70	19020600	1-2483-01DR	8465
<b>Inboard Engines</b>								
Model 5.0L (4-BBL)	GM 5.0L - 305ci - 8cyl	95-87	Mando 55A Alternator	MD	55	AR150AA	1-1947-01MD	12174
			Motorola 51A Alternator	MD	55	8EM2007KA	1-1947-01MD	7496
Model 5.7L EFI (Gen +)	GM 5.7L - 350ci - 8cyl	98-0n	Delco (Korean) 65A Alt.	DR	70	19020601	1-2485-01DR	8460
			Delco (Korean) 70A Alt.	DR	70	19020612	1-2837-01DR-2	8461
			Mando 55A Alternator	MD	55	AC155616	1-2309-31MD	12174
Model 5.7L EFI (Gen +) MIE	GM 5.7L - 350ci - 8cyl	97-0n	Delco (Korean) 65A Alt.	DR	70	19020601	1-2485-01DR	8460
			Mando 65A Alternator	MD	65	AC165617	1-2310-31MD	12176
Model 5.7L MIE	GM 5.7L - 350ci - 8cyl	99-0n	Delco 70A - S/N 0L677227 & Up	DR	70	19020612	1-2837-01DR-2	8461
			Delco 65A - S/N 0L677226 & Below	DR	70	19020601	1-2485-01DR	8460
			Mando 55A Alternator	MD	55	AC155616	1-2309-31MD	12174

♦ See Buyer's Guide for Optional Units

Model	Engine	Year	Option	Mfg	Amp	OEM #	PART NO.	REF.	
<b>MERCUISER - continued</b>									
<b>Inboard Engines - continued</b>									
Model 5.7L MIE	GM 5.7L - 350ci - 8cyl	98-97	Mando 55A Alternator	MD	55	AC155616	<b>1-2309-31MD</b>	12174	
		96	Mando 55A Alternator	MD	55	AC155603	<b>1-1947-01MD</b>	12174	
		95-94	Mando 55A Alternator	MD	55	AC155603	<b>1-1947-01MD</b>	12174	
			Mando 55A Alternator	MD	55	AR150AA	<b>1-1947-01MD</b>	12174	
		93-88	Mando 55A Alternator	MD	55	AR150AA	<b>1-1947-01MD</b>	12174	
Motorola 51A Alternator	MD		55	8EM2007KA	<b>1-1947-01MD</b>	7496			
Model 7.4L MIE (LH) (Gen V)	GM 7.4L - 454ci - 8cyl	96-92	Mando 55A Alternator	MD	55	AC155603	<b>1-1947-01MD</b>	12174	
			Mando 55A Alternator	MD	55	AR150AA	<b>1-1947-01MD</b>	12174	
			Motorola 51A Alternator	MD	55	8EM2007KA	<b>1-1947-01MD</b>	7496	
Model 7.4L MIE (LH) (Gen VI)	GM 7.4L - 454ci - 8cyl	97-96	Mando 55A Alternator	MD	55	AR150AA	<b>1-1947-01MD</b>	12174	
Model 7.4L MIE (LH) w/Hurth MK4	GM 7.4L - 454ci - 8cyl	92-89	Mando 55A Alternator	MD	55	AR150AA	<b>1-1947-01MD</b>	12174	
			Motorola 51A Alternator	MD	55	8EM2007KA	<b>1-1947-01MD</b>	7496	
Model 7.4L MIE MPI (L29) (Gen VI)	GM 7.4L - 454ci - 8cyl	00-98	Delco (Korean) 65A Alt.	DR	70	19020601	<b>1-2485-01DR</b>	8460	
			Mando 65A Alternator	MD	65	AC165617	<b>1-2310-31MD</b>	12176	
Model 7.4L MIE MPI (LH) (Gen V)	GM 7.4L - 454ci - 8cyl	96-95	Mando 65A Alternator	MD	65	AC165610	<b>1-1948-01MD</b>	12176	
Model 7.4L MIE MPI (LH) (Gen VI)	GM 7.4L - 454ci - 8cyl	97-96	Mando 65A Alternator	MD	65	AC165610	<b>1-1948-01MD</b>	12176	
Model 7.4L MIE TBI (LH) (Gen VI)	GM 7.4L - 454ci - 8cyl	97-96	Mando 65A Alternator	MD	65	AC165610	<b>1-1948-01MD</b>	12176	
Model 8.1S HO	GM 8.1L - 496ci - 8cyl	01-On	Delco (Korean) 70A Alt.	DR	70	19020612	<b>1-2837-01DR-2</b>	8461	
Model 8.1S Horizon	GM 8.1L - 496ci - 8cyl	01-On	Delco (Korean) 70A Alt.	DR	70	19020612	<b>1-2837-01DR-2</b>	8461	
Model 8.2L MIE (Gen V)	GM 8.2L - 502ci - 8cyl	96-93	Mando 55A Alternator	MD	55	AC155603	<b>1-1947-01MD</b>	12174	
			Mando 55A Alternator	MD	55	AR150AA	<b>1-1947-01MD</b>	12174	
Model 8.2L MIE MPI (LH) (Gen VI)	GM 8.2L - 502ci - 8cyl	00-On	Delco 65A Alternator	DR	70	19020601	<b>1-2485-01DR</b>	8460	
			Mando 65A Alternator	MD	65	AC165617	<b>1-2310-31MD</b>	12176	
		99-98	Mando 65A Alternator	MD	65	AC165617	<b>1-2310-31MD</b>	12176	
		97-96	Mando 65A Alternator	MD	65	AC165610	<b>1-1948-01MD</b>	12176	
Model 8.2L MIE w/Hurth	GM 8.2L - 502ci - 8cyl	92-90	Mando 55A Alternator	MD	55	AR150AA	<b>1-1947-01MD</b>	12174	
			Motorola 51A Alternator	MD	55	8EM2007KA	<b>1-1947-01MD</b>	7496	
Model 198 MIE	GM 5.0L - 305ci - 8cyl	77	Delco 10SI w/Spark Screen	DR	61	1102393	<b>20-159-1</b>	7152	
			Motorola 37A Alternator	DR	61	8MR2023F	<b>1-2835-2 ♦</b>	7466	
Model 215 MIE	Ford 5.0L - 302ci - 8cyl	72-70	Delco 1-Wire Replacement	DR	61	59755	<b>20-159-1</b>	7152	
Model 225	Ford 5.0L - 302ci - 8cyl	74-73	Delco 1-Wire Replacement	DR	61	59755	<b>20-159-1</b>	7152	
Model 225 MIE	Ford 5.0L - 302ci - 8cyl	74-73	Delco 1-Wire Replacement	DR	61	59755	<b>20-159-1</b>	7152	
Model 228	GM 5.0L - 305ci - 8cyl	81-79	Motorola 37A Alternator	DR	61	8MR2023F	<b>1-2835-2 ♦</b>	7466	
			78-77	Delco 10SI w/Spark Screen	DR	61	1102496	<b>20-159-1</b>	7152
				Motorola 37A Alternator	DR	61	8MR2023F	<b>1-2835-2 ♦</b>	7466
Model 228 MIE	GM 5.0L - 305ci - 8cyl	80-77	Delco 10SI w/Spark Screen	DR	61	1102496	<b>20-159-1</b>	7152	
			Motorola 37A Alternator	DR	61	8MR2023F	<b>1-2835-2 ♦</b>	7466	
Model 230 MIE	GM 5.0L - 305ci - 8cyl	95-81	Mando 55A Alternator	MD	55	AR150AA	<b>1-1947-01MD</b>	12174	
			Motorola 51A Alternator	MD	55	8EM2007KA	<b>1-1947-01MD</b>	7496	
Model 233	Ford 5.8L - 351ci - 8cyl	77-75	Delco 10SI w/Spark Screen	DR	61	1102393	<b>20-159-1</b>	7152	
Model 233 MIE	Ford 5.8L - 351ci - 8cyl	77-75	Delco 10SI w/Spark Screen	DR	61	1102393	<b>20-159-1</b>	7152	
Model 255	Ford 5.8L - 351ci - 8cyl	74-73	Delco 1-Wire Replacement	DR	61	59755	<b>20-159-1</b>	7152	
Model 255 MIE	Ford 5.8L - 351ci - 8cyl	74-73	Delco 1-Wire Replacement	DR	61	59755	<b>20-159-1</b>	7152	
	GM 5.7L - 350ci - 8cyl	80-75	Motorola 37A Alternator	DR	61	8MR2023F	<b>1-2835-2 ♦</b>	7466	
Model 260 MIE	GM 5.7L - 350ci - 8cyl	87	Mando 55A Alternator	MD	55	AR150AA	<b>1-1947-01MD</b>	12174	
			Motorola 51A Alternator	MD	55	8EM2007KA	<b>1-1947-01MD</b>	7496	
		86-81	Motorola 51A Alternator	MD	55	8EM2007KA	<b>1-1947-01MD</b>	7496	
Model 270 MIE	GM 5.7L - 350ci - 8cyl	72-69	Delco 1-Wire Replacement	DR	61	56045	<b>20-159-1</b>	7152	
Model 325 MIE	GM 7.0L - 427ci - 8cyl	74-68	Delco 1-Wire Replacement	DR	61	59755	<b>20-159-1</b>	7152	
Model 330	GM 7.4L - 454ci - 8cyl	81-77	Motorola 37A Alternator	DR	61	8MR2023F	<b>1-2835-2 ♦</b>	7466	
Model 330 MIE	GM 7.4L - 454ci - 8cyl	80-77	Motorola 37A Alternator	DR	61	8MR2023F	<b>1-2835-2 ♦</b>	7466	
Model 350 Mag MPI (Gen +)	GM 5.7L - 350ci - 8cyl	99-On	Delco - #OM310000-On	DR	70	19020612	<b>1-2837-01DR-2</b>	8461	
			Delco - #OL304500-OM299999	DR	70	19020601	<b>1-2485-01DR</b>	8460	
			Mando - #OL304500-OM299999	MD	65	AC165617	<b>1-2310-31MD</b>	12176	
		98	Mando 65A Alternator	MD	65	AC165617	<b>1-2310-31MD</b>	12176	
Model 350 Mag MPI Horizon	GM 5.7L - 350ci - 8cyl	99-On	Delco - #OM310000-On	DR	70	19020612	<b>1-2837-01DR-2</b>	8461	
			Delco - #OL304500-OM299999	DR	70	19020601	<b>1-2485-01DR</b>	8460	
			Mando - #OL304500-OM299999	MD	65	AC165617	<b>1-2310-31MD</b>	12176	

♦ See Buyer's Guide for Optional Units

# ALTERNATORS

Model	Engine	Year	Option	Mfg	Amp	OEM #	PART NO.	REF.	
<b>MERCUISER - continued</b>									
<b>Inboard Engines - continued</b>									
Model 350 Mag MPI MIE (Gen +)	GM 5.7L - 350ci - 8cyl	99-98	Mando 65A Alternator	MD	65	AC165617	1-2310-31MD	12176	
Model 350 MIE	GM 7.4L - 454ci - 8cyl	76-74	Delco 10SI w/Spark Screen	DR	61	1102393	20-159-1	7152	
Model 390 MIE	GM 7.5L - 482ci - 8cyl	70-69	Delco 1-Wire Replacement	DR	61	56045	20-159-1	7152	
Model 454 Mag MPI Horizon (Gen VI)	GM 7.4L - 454ci - 8cyl	98-On	Delco - S/N 0L086050 - 0L674000	DR	70	19020601	1-2485-01DR	8460	
			Mando - S/N 0L002200 - 0L086049	MD	65	AC165617	1-2310-31MD	12176	
Model 898	GM 5.0L - 305ci - 8cyl	82-77	Delco 10SI w/Spark Screen	DR	61	1102393	20-159-1	7152	
			Motorola 37A Alternator	DR	61	8MR2024F	1-2835-2 ♦	7466	
Model MX 6.2L MPI	GM 6.2L - 377ci - 8cyl	01-On	SN-OM310100 and Up (70A)	DR	70	19020612	1-2837-01DR-2	8461	
			SN-OM310099 and Below (65A)	DR	70	19020601	1-2485-01DR	8460	
Model MX 6.2L MPI Horizon	GM 6.2L - 377ci - 8cyl	01-On	SN-OM310100 and Up (70A)	DR	70	19020612	1-2837-01DR-2	8461	
			SN-OM310099 and Below (65A)	DR	70	19020601	1-2485-01DR	8460	
<b>Ski Engines</b>									
Black Scorpion Ski (Gen +)	GM 5.7L - 350ci - 8cyl	97-On	Delco (Korean) 70A Alt.	DR	70	19020612	1-2837-01DR-2	8461	
			Mando 65A Alternator	MD	65	AC165617	1-2310-31MD	12176	
Model 5.7L Competition Ski	GM 5.7L - 350ci - 8cyl	96	Mando 65A Alternator	MD	65	AC165610	1-1948-01MD	12176	
			97	Mando 55A Alternator	MD	55	AC155616	1-2309-31MD	12174
			96	Mando 55A Alternator	MD	55	AC155603	1-1947-01MD	12174
			95-87	Mando 55A Alternator	MD	55	AC155603	1-1947-01MD	12174
				Mando 55A Alternator	MD	55	AR150AA	1-1947-01MD	12174
Motorola 51A Alternator	MD	55	8EM2007KA	1-1947-01MD	7496				
Model 5.7L Ski	GM 5.7L - 350ci - 8cyl	87-85	Mando 55A Alternator	MD	55	AR150AA	1-1947-01MD	12174	
			Motorola 51A Alternator	MD	55	8EM2007KA	1-1947-01MD	7496	
Model 5.7L Ski (CARB)	GM 5.7L - 350ci - 8cyl	98-On	Delco (Korean) 70A Alt.	DR	70	19020612	1-2837-01DR-2	8461	
Model 5.7L Ski (Gen +)	GM 5.7L - 350ci - 8cyl	98-On	SN-0L619000-Up (Delco)	DR	70	19020601	1-2485-01DR	8460	
			SN-0L918999-Down (Mando)	MD	55	AC155616	1-2309-31MD	12174	
Model 350 Mag EFI Ski (Gen +)	GM 5.7L - 350ci - 8cyl	97	Mando 65A Alternator	MD	65	AC165617	1-2310-31MD	12176	
			96	Mando 65A Alternator	MD	65	AC165610	1-1948-01MD	12176
Model 350 Mag EFI Ski (TBI)	GM 5.7L - 350ci - 8cyl	96-94	Mando 65A Alternator	MD	65	AC165610	1-1948-01MD	12176	
Model 350 Mag MPI Ski	GM 5.7L - 350ci - 8cyl	96-95	Mando 65A Alternator	MD	65	AC165610	1-1948-01MD	12176	
Model 350 Mag MPI Ski (Gen +)	GM 5.7L - 350ci - 8cyl	98-On	Delco (Korean) 65A Alt.	DR	70	19020601	1-2485-01DR	8460	
			Mando 65A Alternator	MD	65	AC165617	1-2310-31MD	12176	
Model 350 Mag Ski	GM 5.7L - 350ci - 8cyl	97	Mando 55A Alternator	MD	55	AC155616	1-2309-31MD	12174	
			96-91	Mando 55A Alternator	MD	55	AC155603	1-1947-01MD	12174
			Mando 55A Alternator	MD	55	AR150AA	1-1947-01MD	12174	
Model 454 EFI Ski (Gen V)	GM 7.4L - 454ci - 8cyl	95	Mando 65A Alternator	MD	65	AC165610	1-1948-01MD	12176	
Model 454 Mag MPI Ski (Gen VI)	GM 7.4L - 454ci - 8cyl	97-96	Mando 65A Alternator	MD	65	AC165610	1-1948-01MD	12176	
Model MX 6.2L BS MPI Ski	GM 6.2L - 377ci - 8cyl	01-On	Delco (Korean) 70A Alt.	DR	70	19020612	1-2837-01DR-2	8461	
<b>Stern Drives</b>									
Model 2.5L	GM 2.5L - 153ci - 4cyl	89-87	Mando 55A Alternator	MD	55	AR150AA	1-1947-01MD	12174	
Model 3.0 / 3.0LX	GM 3.0L - 181ci - 4cyl	99-On	Delco - S/N OM326293 & Below	DR	70	19020600	1-2483-01DR	8465	
			Mando - S/N 0L382121 & Below	MD	55	AC155616	1-2309-31MD	12174	
			98-96	Mando 55A Alternator	MD	55	AC155616	1-2309-31MD	12174
			95-90	Mando 55A Alternator	MD	55	AC155603	1-1947-01MD	12174
				Mando 55A Alternator	MD	55	AR150AA	1-1947-01MD	12174
				Motorola 51A Alternator	MD	55	8EM2007KA	1-1947-01MD	7496
89-87	Mando 55A Alternator	MD	55	AR150AA	1-1947-01MD	12174			
Model 4.3L (2-BBL)	GM 4.3L - 262ci - 6cyl	92-88	Mando 55A Alternator	MD	55	AR150AA	1-1947-01MD	12174	
Model 4.3L (Gen +)	GM 4.3L - 262ci - 6cyl	97-96	Mando 55A Alternator	MD	55	AC155616	1-2309-31MD	12174	
			98-On	Delco (Korean) 65A Alt.	DR	70	19020601	1-2485-01DR	8460
			Mando 55A Alternator	MD	55	AC155616	1-2309-31MD	12174	
Model 4.3L (Gen II)	GM 4.3L - 262ci - 6cyl	96-92	Mando 55A Alternator	MD	55	AR150AA	1-1947-01MD	12174	
Model 4.3L (Gen II) (2-BBL)	GM 4.3L - 262ci - 6cyl	96-92	Mando 55A Alternator	MD	55	AR150AA	1-1947-01MD	12174	
Model 4.3L EFI	GM 4.3L - 262ci - 6cyl	99	Delco (Korean) 65A Alt.	DR	70	19020601	1-2485-01DR	8460	
			Mando 65A Alternator	MD	65	AC165617	1-2310-31MD	12176	
Model 4.3L EFI (Gen +) TBI	GM 4.3L - 262ci - 6cyl	00-98	Delco (Korean) 65A Alt.	DR	70	19020601	1-2485-01DR	8460	
			Mando 65A Alternator	MD	65	AC165617	1-2310-31MD	12176	
		01-On	Delco (Korean) 65A Alt.	DR	70	19020601	1-2485-01DR	8460	
Model 4.3L MPI	GM 4.3L - 262ci - 6cyl	02-01	Delco (Korean) 65A Alt.	DR	70	19020601	1-2485-01DR	8460	
			Delco (Korean) 70A Alt.	DR	70	19020612	1-2837-01DR-2	8461	

♦ See Buyer's Guide for Optional Units

Model	Engine	Year	Option	Mfg	Amp	OEM #	PART NO.	REF.
<b>MERCURISER - continued</b>								
<b>Stern Drives - continued</b>								
Model 4.3L (Carb.) Alpha & Bravo	GM 4.3L - 262ci - 6cyl	02-0n	Delco (Korean) 70A Alt.	DR	70	19020612	1-2837-01DR-2	8461
Model 4.3L (MFI) Alpha & Bravo	GM 4.3L - 262ci - 6cyl	02-0n	Delco (Korean) 70A Alt.	DR	70	19020612	1-2837-01DR-2	8461
Model 4.3LH (Gen +) (4-BBL)	GM 4.3L - 262ci - 6cyl	98-0n	Delco (Korean) 65A Alt.	DR	70	19020601	1-2485-01DR	8460
			Mando 55A Alternator	MD	55	AC155616	1-2309-31MD	12174
Model 4.3LHX (Gen +) (4-BBL)	GM 4.3L - 262ci - 6cyl	97-96	Mando 55A Alternator	MD	55	AC155616	1-2309-31MD	12174
Model 4.3LX (4-BBL)	GM 4.3L - 262ci - 6cyl	92-88	Mando 55A Alternator	MD	55	AR150AA	1-1947-01MD	12174
Model 4.3LX (Gen +) (2-BBL)	GM 4.3L - 262ci - 6cyl	97-96	Mando 55A Alternator	MD	55	AC155616	1-2309-31MD	12174
Model 4.3LX (Gen II) (4-BBL)	GM 4.3L - 262ci - 6cyl	96-92	Mando 55A Alternator	MD	55	AR150AA	1-1947-01MD	12174
Model 5.0L (2-BBL)	GM 5.0L - 305ci - 8cyl	98-95	Mando 55A Alternator	MD	55	AC155616	1-2309-31MD	12174
Model 5.0L (2-BBL) (Gen +)	GM 5.0L - 305ci - 8cyl	02-98	Delco (Korean) 65A Alt.	DR	70	19020601	1-2485-01DR	8460
			Delco (Korean) 70A Alt.	DR	70	19020612	1-2837-01DR-2	8461
			Mando 55A Alternator	MD	55	AC155616	1-2309-31MD	12174
Model 5.0L (Carb.) Alpha & Bravo	GM 5.0L - 305ci - 8cyl	02-0n	Delco (Korean) 70A Alt.	DR	70	19020612	1-2837-01DR-2	8461
Model 5.0L EFI (Gen +)	GM 5.0L - 305ci - 8cyl	01-99	Delco (Korean) 65A Alt.	DR	70	19020601	1-2485-01DR	8460
			Mando 65A Alternator	MD	65	AC165617	1-2310-31MD	12176
		98	Mando 65A Alternator	MD	65	AC165617	1-2310-31MD	12176
Model 5.0L MPI Alpha & Bravo	GM 5.0L - 305ci - 8cyl	01-0n	Delco (Korean) 65A Alt.	DR	70	19020601	1-2485-01DR	8460
			Delco (Korean) 70A Alt.	DR	70	19020612	1-2837-01DR-2	8461
Model 5.0LX	GM 5.0L - 305ci - 8cyl	95-88	Mando 55A Alternator	MD	55	AC155603	1-1947-01MD	12174
			Mando 55A Alternator	MD	55	AR150AA	1-1947-01MD	12174
Model 5.7L (2-BBL)	GM 5.7L - 350ci - 8cyl	98-97	Mando 55A Alternator	MD	55	AC155616	1-2309-31MD	12174
		96	Mando 55A Alternator	MD	55	AR150AA	1-1947-01MD	12174
Model 5.7L (2-BBL) (Gen +)	GM 5.7L - 350ci - 8cyl	02-98	Delco (Korean) 65A Alt.	DR	70	19020601	1-2485-01DR	8460
			Delco (Korean) 70A Alt.	DR	70	19020612	1-2837-01DR-2	8461
			Mando 55A Alternator	MD	55	AC155616	1-2309-31MD	12174
Model 5.7L (Carb.) Alpha & Bravo	GM 5.7L - 350ci - 8cyl	02-0n	Delco (Korean) 70A Alt.	DR	70	19020612	1-2837-01DR-2	8461
Model 5.7L Bravo	GM 5.7L - 350ci - 8cyl	95-88	Mando 55A Alternator	MD	55	AC155603	1-1947-01MD	12174
			Mando 55A Alternator	MD	55	AR150AA	1-1947-01MD	12174
Model 5.7L EFI (Gen +)	GM 5.7L - 350ci - 8cyl	01-99	Delco (Korean) 65A Alt.	DR	70	19020601	1-2485-01DR	8460
			Mando 65A Alternator	MD	65	AC165617	1-2310-31MD	12176
		98	Mando 65A Alternator	MD	65	AC165617	1-2310-31MD	12176
Model 5.7L EFI (TBI) (2-BBL)	GM 5.7L - 350ci - 8cyl	97-96	Mando 65A Alternator	MD	65	AC165617	1-2310-31MD	12176
Model 5.7L EFI (TBI) Alpha	GM 5.7L - 350ci - 8cyl	95	Mando 65A Alternator	MD	65	AC165610	1-1948-01MD	12176
Model 5.7L EFI (TBI) Bravo	GM 5.7L - 350ci - 8cyl	95	Mando 65A Alternator	MD	65	AC165610	1-1948-01MD	12176
Model 5.7LX (4-BBL)	GM 5.7L - 350ci - 8cyl	97	Mando 55A Alternator	MD	55	AC155616	1-2309-31MD	12174
		96	Mando 55A Alternator	MD	55	AR150AA	1-1947-01MD	12174
Model 5.7LX Bravo EFI (Gen +)	GM 5.7L - 350ci - 8cyl	97-96	Mando 65A Alternator	MD	65	AC165617	1-2310-31MD	12176
Model 5.7LX EFI (TBI) (2-BBL)	GM 5.7L - 350ci - 8cyl	97	Mando 65A Alternator	MD	65	AC165617	1-2310-31MD	12176
Model 5.7LX EFI (TBI) (4-BBL)	GM 5.7L - 350ci - 8cyl	97-96	Mando 65A Alternator	MD	65	AC165617	1-2310-31MD	12176
Model 7.4L Bravo	GM 7.4L - 454ci - 8cyl	91-88	Mando 55A Alternator	MD	55	AR150AA	1-1947-01MD	12174
			Motorola 51A Alternator	MD	55	8EM2007KA	1-1947-01MD	7496
Model 7.4L Bravo (Gen V)	GM 7.4L - 454ci - 8cyl	96-92	Mando 55A Alternator	MD	55	AC155603	1-1947-01MD	12174
			Mando 55A Alternator	MD	55	AR150AA	1-1947-01MD	12174
Model 7.4L Bravo (Gen VI)	GM 7.4L - 454ci - 8cyl	97-96	Mando 55A Alternator	MD	55	AR150AA	1-1947-01MD	12174
Model 7.4L MPI (Gen VI)	GM 7.4L - 454ci - 8cyl	98	Mando 65A Alternator	MD	65	AC165617	1-2310-31MD	12176
Model 7.4LX Bravo MPI (Gen V)	GM 7.4L - 454ci - 8cyl	96	Mando 65A Alternator	MD	65	AC165610	1-1948-01MD	12176
Model 7.4LX Bravo MPI (Gen VI)	GM 7.4L - 454ci - 8cyl	97-96	Mando 65A Alternator	MD	65	AC165610	1-1948-01MD	12176
Model 7.4LX Bravo TBI (Gen VI)	GM 7.4L - 454ci - 8cyl	97-96	Mando 65A Alternator	MD	65	AC165610	1-1948-01MD	12176
Model 7.4LX MPI (Gen V)	GM 7.4L - 454ci - 8cyl	96	Mando 65A Alternator	MD	65	AC165610	1-1948-01MD	12176
Model 7.4LX MPI (Gen VI)	GM 7.4L - 454ci - 8cyl	97-96	Mando 65A Alternator	MD	65	AC165610	1-1948-01MD	12176
Model 7.4LX MPI (Gen VI) (L29)	GM 7.4L - 454ci - 8cyl	00-98	Delco (Korean) 65A Alt.	DR	70	19020601	1-2485-01DR	8460
			Mando 65A Alternator	MD	65	AC165617	1-2310-31MD	12176
Model 7.4LX TBI (Gen VI)	GM 7.4L - 454ci - 8cyl	97-96	Mando 65A Alternator	MD	65	AC165610	1-1948-01MD	12176
Model 120	GM 2.5L - 153ci - 4cyl	89-83	Mando 55A Alternator	MD	55	AR150AA	1-1947-01MD	12174
		82-77	Motorola 37A Alternator	DR	61	8MR2023F	1-2835-2 ♦	7466
		76-73	Delco 10SI w/Screen ('73)	DR	61	1100577	20-159-1	7152
			Delco 10SI w/Screen ('76-74)	DR	61	1102496	20-159-1	7152
			Motorola 37A Alternator	DR	61	8MR2023F	1-2835-2 ♦	7466

♦ See Buyer's Guide for Optional Units



# ALTERNATORS

Model	Engine	Year	Option	Mfg	Amp	OEM #	PART NO.	REF.
<b>MERCUISER - continued</b>								
<b>Stern Drives - continued</b>								
Model 140	GM 3.0L - 181ci - 4cyl	86-83	Mando 55A Alternator	MD	55	AR150AA	1-1947-01MD	12174
		82-77	Motorola 37A Alternator	DR	61	8MR2023F	1-2835-2 ♦	7466
		76-73	Delco 10SI w/Screen ('73)	DR	61	1100577	20-159-1	7152
			Delco 10SI w/Screen ('76-74)	DR	61	1102496	20-159-1	7152
			Motorola 37A Alternator	DR	61	8MR2023F	1-2835-2 ♦	7466
Model 165	GM 4.1L - 250ci - 6cyl	82-70	Replaces All	DR	61	8MR2023F	1-2835-2 ♦	7466
Model 175	GM 4.3L - 262ci - 6cyl	92-87	Mando 55A Alternator	MD	55	AR150AA	1-1947-01MD	12174
Model 185	GM 3.8L - 229ci - 6cyl	84-83	Mando 55A Alternator	MD	55	AR150AA	1-1947-01MD	12174
			Motorola 51A Alternator	MD	55	8EM2007KA	1-1947-01MD	7496
	GM 4.3L - 262ci - 6cyl	87-85	Mando 55A Alternator	MD	55	AR150AA	1-1947-01MD	12174
			Motorola 51A Alternator	MD	55	8EM2007KA	1-1947-01MD	7496
Model 200	GM 5.0L - 305ci - 8cyl	87	Mando 55A Alternator	MD	55	AC155603	1-1947-01MD	12174
			Mando 55A Alternator	MD	55	AR150AA	1-1947-01MD	12174
		86-85	Mando 55A Alternator	MD	55	AR150AA	1-1947-01MD	12174
			Motorola 51A Alternator	MD	55	8EM2007KA	1-1947-01MD	7496
Model 205	GM 4.3L - 262ci - 6cyl	91-88	Mando 55A Alternator	MD	55	AR150AA	1-1947-01MD	12174
		87-85	Mando 55A Alternator	MD	55	AR150AA	1-1947-01MD	12174
			Motorola 51A Alternator	MD	55	8EM2007KA	1-1947-01MD	7496
Model 215	Ford 5.0L - 302ci - 8cyl	72-70	Delco 1-Wire Replacement	DR	61	59755	20-159-1	7152
Model 225	Ford 5.0L - 302ci - 8cyl	74-73	Delco 1-Wire Replacement	DR	61	59755	20-159-1	7152
Model 228	GM 5.0L - 305ci - 8cyl	84-82	Mando 55A Alternator	MD	55	AR150AA	1-1947-01MD	12174
			Motorola 51A Alternator	MD	55	8EM2007KA	1-1947-01MD	7496
		81-79	Motorola 37A Alternator	DR	61	8MR2023F	1-2835-2 ♦	7466
		78-77	Delco 10SI w/Spark Screen	DR	61	1102496	20-159-1	7152
			Motorola 37A Alternator	DR	61	8MR2023F	1-2835-2 ♦	7466
Model 230	GM 5.0L - 305ci - 8cyl	87	Mando 55A Alternator	MD	55	AC155603	1-1947-01MD	12174
			Mando 55A Alternator	MD	55	AR150AA	1-1947-01MD	12174
		86-85	Mando 55A Alternator	MD	55	AR150AA	1-1947-01MD	12174
			Motorola 51A Alternator	MD	55	8EM2007KA	1-1947-01MD	7496
Model 233	Ford 5.8L - 351ci - 8cyl	77-75	Delco 10SI w/Spark Screen	DR	61	1102393	20-159-1	7152
Model 250	GM 5.7L - 350ci - 8cyl	77	Delco 10SI w/Spark Screen	DR	61	1102393	20-159-1	7152
Model 255	Ford 5.8L - 351ci - 8cyl	74-73	Delco 1-Wire Replacement	DR	61	59755	20-159-1	7152
Model 260	GM 5.7L - 350ci - 8cyl	87	Mando 55A Alternator	MD	55	AC155603	1-1947-01MD	12174
			Mando 55A Alternator	MD	55	AR150AA	1-1947-01MD	12174
		86-82	Motorola 51A Alternator	MD	55	8EM2007KA	1-1947-01MD	7496
		81-78	Motorola 37A Alternator	DR	61	8MR2023F	1-2835-2 ♦	7466
			Mando 65A Alternator	MD	65	AC165617	1-2310-31MD	12176
Model 262 Mag (Gen +) (TBI)	GM 4.3L - 262ci - 6cyl	97-96	Mando 65A Alternator	MD	65	AC165617	1-2310-31MD	12176
Model 270	GM 5.7L - 350ci - 8cyl	72-71	Delco 10SI w/Spark Screen	DR	61	1100576	20-159-1	7152
		70-69	Delco 10SI w/Spark Screen	DR	61	1100894	20-159-1	7152
Model 280 TRS	GM 5.7L - 350ci - 8cyl	76-75	Delco 10SI w/Spark Screen	DR	61	1102393	20-159-1	7152
Model 300 Tempest	GM 5.7L - 350ci - 8cyl	86-85	Motorola 51A Alternator	MD	55	8EM2007KA	1-1947-01MD	7496
Model 320 (EFI)	GM 5.7L - 350ci - 8cyl	87	Motorola 51A Alternator	MD	55	8EM2007KA	1-1947-01MD	7496
Model 325	GM 7.0L - 427ci - 8cyl	72-69	Delco 1-Wire Replacement	DR	61	59755	20-159-1	7152
Model 330	GM 7.4L - 454ci - 8cyl	87-82	Mando 55A Alternator	MD	55	AR150AA	1-1947-01MD	12174
			Motorola 51A Alternator	MD	55	8EM2007KA	1-1947-01MD	7496
		81-77	Motorola 37A Alternator	DR	61	8MR2023F	1-2835-2 ♦	7466
Model 350 Mag Alpha	GM 5.7L - 350ci - 8cyl	95-88	Mando 55A Alternator	MD	55	AC155603	1-1947-01MD	12174
			Mando 55A Alternator	MD	55	AR150AA	1-1947-01MD	12174
		87-86	Mando 55A Alternator	MD	55	AR150AA	1-1947-01MD	12174
			Motorola 51A Alternator	MD	55	8EM2007KA	1-1947-01MD	7496
Model 350 Mag Alpha (4-BBL)	GM 5.7L - 350ci - 8cyl	97	Mando 55A Alternator	MD	55	AC155616	1-2309-31MD	12174
		96	Mando 55A Alternator	MD	55	AR150AA	1-1947-01MD	12174
Model 350 Mag Alpha EFI (Gen +)	GM 5.7L - 350ci - 8cyl	97-96	Mando 65A Alternator	MD	65	AC165617	1-2310-31MD	12176
Model 350 Mag Bravo MPI	GM 5.7L - 350ci - 8cyl	95	Mando 65A Alternator	MD	65	AC165610	1-1948-01MD	12176
Model 350 Mag Bravo MPI (Gen +)	GM 5.7L - 350ci - 8cyl	97	Mando 65A Alternator	MD	65	AC165617	1-2310-31MD	12176
		96	Mando 65A Alternator	MD	65	AC165610	1-1948-01MD	12176
Model 350 Mag MPI Alpha & Bravo	GM 5.7L - 350ci - 8cyl	01-On	Delco (Korean) 70A Alt.	DR	70	19020612	1-2837-01DR-2	8461
			Delco (Korean) 65A Alt.	DR	70	19020601	1-2485-01DR	8460

♦ See Buyer's Guide for Optional Units

Model	Engine	Year	Option	Mfg	Amp	OEM #	PART NO.	REF.
<b>MERCURISER - continued</b>								
<b>Stern Drives - continued</b>								
Model 350 Mag MPI Alpha & Bravo	GM 5.7L - 350ci - 8cyl	00-98	Mando 65A Alternator	MD	65	AC165617	<b>1-2310-31MD</b>	12176
			Delco (Korean) 65A Alt.	DR	70	19020601	<b>1-2485-01DR</b>	8460
Model 350 Mag MPI Hor Alpha & Bravo	GM 5.7L - 350ci - 8cyl	01-On	Delco (Korean) 70A Alt.	DR	70	19020612	<b>1-2837-01DR-2</b>	8461
			Delco (Korean) 65A Alt.	DR	70	19020601	<b>1-2485-01DR</b>	8460
Model 370 TRS	GM 7.4L - 454ci - 8cyl	87-78	Motorola 37A Alternator	DR	61	8MR2024F	<b>1-2835-2 ♦</b>	7466
			Motorola 51A Alternator	MD	55	8EM2007KA	<b>1-1947-01MD</b>	7496
Model 390	GM 7.5L - 482ci - 8cyl	70-69	Delco 1-Wire Replacement	DR	61	56045	<b>20-159-1</b>	7152
Model 400 TRS (Cyclone)	GM 7.4L - 454ci - 8cyl	86-80	Motorola 37A Alternator	DR	61	8MR2024F	<b>1-2835-2 ♦</b>	7466
			Motorola 51A Alternator	MD	55	8EM2007KA	<b>1-1947-01MD</b>	7496
Model 440 TRS (Cyclone)	GM 7.4L - 454ci - 8cyl	86-83	Motorola 37A Alternator	DR	61	8MR2024F	<b>1-2835-2 ♦</b>	7466
			Motorola 51A Alternator	MD	55	8EM2007KA	<b>1-1947-01MD</b>	7496
Model 454 EFI (Gen V)	GM 7.4L - 454ci - 8cyl	96-94	Mando 65A Alternator	MD	65	AC165610	<b>1-1948-01MD</b>	12176
Model 454 Mag Alpha	GM 7.4L - 454ci - 8cyl	88-86	Mando 55A Alternator	MD	55	AR150AA	<b>1-1947-01MD</b>	12174
Model 454 Mag Bravo	GM 7.4L - 454ci - 8cyl	92-88	Mando 55A Alternator	MD	55	AR150AA	<b>1-1947-01MD</b>	12174
Model 454 Mag Bravo (Gen V)	GM 7.4L - 454ci - 8cyl	96-95	Mando 55A Alternator	MD	55	AR150AA	<b>1-1947-01MD</b>	12174
			Mando 55A Alternator	MD	55	AC155603	<b>1-1947-01MD</b>	12174
			Mando 55A Alternator	MD	55	AR150AA	<b>1-1947-01MD</b>	12174
Model 454 Mag Bravo (Gen VI)	GM 7.4L - 454ci - 8cyl	97-96	Mando 55A Alternator	MD	55	AR150AA	<b>1-1947-01MD</b>	12174
Model 454 Mag Bravo MPI (Gen VI)	GM 7.4L - 454ci - 8cyl	00-On	Delco 65A Alternator	DR	70	19020601	<b>1-2485-01DR</b>	8460
			Mando 65A Alternator	MD	65	AC165610	<b>1-1948-01MD</b>	12176
Model 454 Mag MPI (Gen VI)	GM 7.4L - 454ci - 8cyl	01-On	Delco 65A Alternator	DR	70	19020601	<b>1-2485-01DR</b>	8460
			Mando 65A Alternator	MD	65	AC165617	<b>1-2310-31MD</b>	12176
			Mando 65A Alternator	MD	65	AC165617	<b>1-2310-31MD</b>	12176
			Mando 65A Alternator	MD	65	AC165610	<b>1-1948-01MD</b>	12176
Model 454 Mag MPI Horizon	GM 7.4L - 454ci - 8cyl	01-On	Delco 65A Alternator	DR	70	19020601	<b>1-2485-01DR</b>	8460
			Mando 65A Alternator	MD	65	AC165617	<b>1-2310-31MD</b>	12176
Model 460 TRS (Cyclone)	GM 7.5L - 482ci - 8cyl	86-83	Motorola 37A Alternator	DR	61	8MR2024F	<b>1-2835-2 ♦</b>	7466
			Motorola 51A Alternator	MD	55	8EM2007KA	<b>1-1947-01MD</b>	7496
Model 496 Mag	GM 8.1L - 496ci - 8cyl	01-On	Delco (Korean) 70A Alt.	DR	70	19020612	<b>1-2837-01DR-2</b>	8461
Model 496 Mag HO	GM 8.1L - 496ci - 8cyl	01-On	Delco (Korean) 70A Alt.	DR	70	19020612	<b>1-2837-01DR-2</b>	8461
Model 502 EFI (Gen V)	GM 8.2L - 502ci - 8cyl	95-93	Mando 65A Alternator	MD	65	AC165610	<b>1-1948-01MD</b>	12176
Model 502 Mag Bravo	GM 8.2L - 502ci - 8cyl	92-90	Mando 55A Alternator	MD	55	AR150AA	<b>1-1947-01MD</b>	12174
Model 502 Mag Bravo (Gen V)	GM 8.2L - 502ci - 8cyl	93-92	Mando 55A Alternator	MD	55	AC155603	<b>1-1947-01MD</b>	12174
			Mando 55A Alternator	MD	55	AR150AA	<b>1-1947-01MD</b>	12174
Model 502 Mag MPI (Gen VI)	GM 8.2L - 502ci - 8cyl	98-On	Delco 65A Alternator	DR	70	19020601	<b>1-2485-01DR</b>	8460
			Mando 65A Alternator	MD	65	AC165617	<b>1-2310-31MD</b>	12176
			Mando 65A Alternator	MD	65	AC165610	<b>1-1948-01MD</b>	12176
Model 502 Mag MPI Bravo (Gen VI)	GM 8.2L - 502ci - 8cyl	99-98	Mando 65A Alternator	MD	65	AC165617	<b>1-2310-31MD</b>	12176
Model 888	Ford 5.0L - 302ci - 8cyl	77-71	Delco 10SI w/Spark Screen	DR	61	1102393	<b>20-159-1</b>	7152
Model 898	GM 5.0L - 305ci - 8cyl	84-83	Delco 10SI w/Spark Screen	DR	61	1102393	<b>20-159-1</b>	7152
			Motorola 37A Alternator	MD	55	8EM2007KA	<b>1-1947-01MD</b>	7496
			Delco 10SI w/Spark Screen	DR	61	1102393	<b>20-159-1</b>	7152
			Motorola 37A Alternator	DR	61	8MR2024F	<b>1-2835-2 ♦</b>	7466
Model MX 6.2L MPI	GM 6.2L - 377ci - 8cyl	00-On	SN-OM320024 and Below (65A)	DR	70	19020601	<b>1-2485-01DR</b>	8460
			SN-OM320025 and Up (70A)	DR	70	19020612	<b>1-2837-01DR-2</b>	8461
Model MX 6.2L MPI Horizon	GM 6.2L - 377ci - 8cyl	00-On	SN-OM320024 and Below (65A)	DR	70	19020601	<b>1-2485-01DR</b>	8460
			SN-OM320025 and Up (70A)	DR	70	19020612	<b>1-2837-01DR-2</b>	8461

## MERCURY

### Engines - Marine Outboard

2.5L Racing	2.5L - 280 H.P.	05-98	S/N OG857000-Up	DR	50	857006T	<b>1-2487-01DR</b>	8470
75ELPT Optimax	1.5L - 92.9ci - 75 H.P. DFI	09-05	All	DR	50	881247A1	<b>1-2486-01DR</b>	8471
90ELPT Optimax	1.5L - 92.9ci - 90 H.P. DFI	09-06	All	DR	50	881247A1	<b>1-2486-01DR</b>	8471
90EXLPT Optimax	1.5L - 92.9ci - 90 H.P. DFI	09-06	All	DR	50	881247A1	<b>1-2486-01DR</b>	8471
115CXL Optimax Saltwater	2.5L - 115 H.P. DFI	00		DR	50	875285T1	<b>1-2487-01DR</b>	8470
115ELPT Optimax	1.5L - 92.9ci - 115 H.P. DFI	09-04	All	DR	50	881247A1	<b>1-2486-01DR</b>	8471
115ELPT Saltwater Optimax	1.5L - 92.9ci - 115 H.P. DFI	05-04	All	DR	50	881247A1	<b>1-2486-01DR</b>	8471
115EXLPT Optimax	1.5L - 92.9ci - 115 H.P. DFI	09-04	All	DR	50	881247A1	<b>1-2486-01DR</b>	8471
115EXLPT Saltwater Optimax	1.5L - 92.9ci - 115 H.P. DFI	05-04	All	DR	50	881247A1	<b>1-2486-01DR</b>	8471

♦ See Buyer's Guide for Optional Units

# ALTERNATORS

Model	Engine	Year	Option	Mfg	Amp	OEM #	PART NO.	REF.
<b>MERCURY - continued</b>								
<b>Engines - Marine Outboard - continued</b>								
115L Optimax	2.5L - 115 H.P. DFI	00		DR	50	875285T1	1-2487-01DR	8470
115L Optimax Saltwater	2.5L - 115 H.P. DFI	00		DR	50	875285T1	1-2487-01DR	8470
115XL Optimax Saltwater	2.5L - 115 H.P. DFI	00		DR	50	875285T1	1-2487-01DR	8470
135CXL Optimax	2.5L - 153.0ci - 135 H.P.	09-99	S/N OG760300 - On	DR	50	881248T	1-2487-01DR	8470
135L Optimax	2.5L - 153.0ci - 135 H.P.	09-99	S/N OG760300 - On	DR	50	881248T	1-2487-01DR	8470
135XL Optimax	2.5L - 153.0ci - 135 H.P.	09-99	S/N OG760300 - On	DR	50	881248T	1-2487-01DR	8470
150 EFI	2.5L - 153.0ci - 150 H.P.	09-06	All	DR	50	881248T	1-2487-01DR	8470
150CXL EFI Saltwater	2.5L - 153.0ci - 150 H.P.	05-03	All	DR	50	881248T	1-2487-01DR	8470
150CXL Optimax	2.5L - 153.0ci - 150 H.P.	05-99	S/N OG760300 - On	DR	50	881248T	1-2487-01DR	8470
150L EFI	2.5L - 153.0ci - 150 H.P.	05-03	All	DR	50	881248T	1-2487-01DR	8470
150L EFI Saltwater	2.5L - 153.0ci - 150 H.P.	05-03	All	DR	50	881248T	1-2487-01DR	8470
150L Optimax	2.5L - 153.0ci - 150 H.P.	05-99	S/N OG760300 - On	DR	50	881248T	1-2487-01DR	8470
150XL EFI	2.5L - 153.0ci - 150 H.P.	09-06	All	DR	50	881248T	1-2487-01DR	8470
150XL EFI Saltwater	2.5L - 153.0ci - 150 H.P.	05-03	All	DR	50	881248T	1-2487-01DR	8470
150XL Optimax	2.5L - 153.0ci - 150 H.P.	05-99	S/N OG760300 - On	DR	50	881248T	1-2487-01DR	8470
175CXL Optimax	2.5L - 153.0ci - 175 H. P.	07-03	All	DR	50	881248T	1-2487-01DR	8470
175L Optimax	2.5L - 153.0ci - 175 H. P.	09-01	All	DR	50	881248T	1-2487-01DR	8470
175L Pro XS Optimax	2.5L - 153.0ci - 175 H. P.	09-08	All	DR	50	881248T	1-2487-01DR	8470
175XL Optimax	2.5L - 153.0ci - 175 H. P.	08-02	All	DR	50	881248T	1-2487-01DR	8470
175XL Pro XS Optimax	2.5L - 153.0ci - 175 H. P.	09-08	All	DR	50	881248T	1-2487-01DR	8470
200CXL EFI	2.5L - 153.0ci - 200 H.P.	05-99	S/N OT409000-Up	DR	50	881248T	1-2487-01DR	8470
200CXL Optimax	3.0L - 185.0ci - 200 H.P.	09-01	Delco 5SI Alternator	DR	50	881247A1	1-2486-01DR	8471
		00-98	Replacement Delco 5SI	DR	50	881247A1	1-2486-01DR	8471
			Standard Denso Alternator	ND	50	828506	1-2879-01ND	12359
200CXL DTS Optimax	3.0L - 185.0ci - 200 H.P.	09-05	Delco 5SI Alternator	DR	50	881247A1	1-2486-01DR	8471
200CXXL Optimax	3.0L - 185.0ci - 200 H.P.	02-01	Delco 5SI Alternator	DR	50	881247A1	1-2486-01DR	8471
		00-98	Replacement Delco 5SI	DR	50	881247A1	1-2486-01DR	8471
			Standard Denso Alternator	ND	50	828506	1-2879-01ND	12359
200L EFI	2.5L - 153.0ci - 200 H.P.	05-99	S/N OT409000-Up	DR	50	881248T	1-2487-01DR	8470
200L Optimax	3.0L - 185.0ci - 200 H.P.	09-01	Delco 5SI Alternator	DR	50	881247A1	1-2486-01DR	8471
		00-98	Replacement Delco 5SI	DR	50	881247A1	1-2486-01DR	8471
			Standard Denso Alternator	ND	50	828506	1-2879-01ND	12359
200L DTS Optimax	3.0L - 185.0ci - 200 H.P.	09-05	Delco 5SI Alternator	DR	50	881247A1	1-2486-01DR	8471
200XL EFI	2.5L - 153.0ci - 200 H.P.	05-99	S/N OT409000-Up	DR	50	881248T	1-2487-01DR	8470
200XL Optimax	3.0L - 185.0ci - 200 H.P.	09-01	Delco 5SI Alternator	DR	50	881247A1	1-2486-01DR	8471
		00-98	Replacement Delco 5SI	DR	50	881247A1	1-2486-01DR	8471
			Standard Denso Alternator	ND	50	828506	1-2879-01ND	12359
200XL DTS Optimax	3.0L - 185.0ci - 200 H.P.	09-05	Delco 5SI Alternator	DR	50	881247A1	1-2486-01DR	8471
200XXL Optimax	3.0L - 185.0ci - 200 H.P.	02-01	Delco 5SI Alternator	DR	50	881247A1	1-2486-01DR	8471
		00-98	Replacement Delco 5SI	DR	50	881247A1	1-2486-01DR	8471
			Standard Denso Alternator	ND	50	828506	1-2879-01ND	12359
200XS Optimax Racing	2.5L - 153.0ci - 200 H.P.	06	All	DR	50	881248T	1-2487-01DR	8470
200XS CS Optimax Racing	2.5L - 153.0ci - 200 H.P.	05	All	DR	50	881248T	1-2487-01DR	8470
200XSL Optimax Racing	2.5L - 153.0ci - 200 H.P.	05	All	DR	50	881248T	1-2487-01DR	8470
		00	All	DR	50	881248T	1-2487-01DR	8470
200XS SS Optimax Racing	2.5L - 153.0ci - 200 H.P.	05	All	DR	50	881248T	1-2487-01DR	8470
		00	All	DR	50	881248T	1-2487-01DR	8470
225 Pro XS Optimax	3.0L - 185.0ci - 225 H.P.	09-05	Delco 5SI Alternator	DR	50	881247A1	1-2486-01DR	8471
225CXL	3.0L - 185.0ci - 225 H.P.	99-94	S/N OD280813 - OT408999	ND	50	821663-A1	1-2824-01ND-2	12358
225CXL EFI	3.0L - 185.0ci - 225 H.P.	04-01	S/N OT409000-Up	DR	50	881247A1	1-2486-01DR	8471
		00-95	S/N OG129222 - OT408999	ND	50	821663-A1	1-2824-01ND-2	12358
225CXL Optimax	3.0L - 185.0ci - 225 H.P.	09-01	S/N OT178500-Up	DR	50	881247A1	1-2486-01DR	8471
		00-98	S/N OG386496 - OT178499 (Opt.)	DR	50	881247A1	1-2486-01DR	8471
			S/N OG386496 - OT178499 (Std.)	ND	50	828506	1-2879-01ND	12359
225CXL DTS Optimax	3.0L - 185.0ci - 225 H.P.	09-04	S/N OT980000-Up	DR	50	881247A1	1-2486-01DR	8471
225CXL Seapro	3.0L - 185.0ci - 225 H.P.	98-96	S/N OG245605-Up	ND	50	821663-A1	1-2824-01ND-2	12358
225CXXL	3.0L - 185.0ci - 225 H.P.	99-94	S/N OD280813 - OT408999	ND	50	821663-A1	1-2824-01ND-2	12358
225CXXL EFI	3.0L - 185.0ci - 225 H.P.	04-01	S/N OT409000-Up	DR	50	881247A1	1-2486-01DR	8471
		00-95	S/N OG129222 - OT408999	ND	50	821663-A1	1-2824-01ND-2	12358

♦ See Buyer's Guide for Optional Units

Model	Engine	Year	Option	Mfg	Amp	OEM #	PART NO.	REF.
<b>MERCURY - continued</b>								
<b>Engines - Marine Outboard - continued</b>								
225CXXL Optimax	3.0L - 185.0ci - 225 H.P.	09-01	S/N OT178500-Up	DR	50	881247A1	1-2486-01DR	8471
		00-98	S/N OG386496 - OT178499 (Opt.)	DR	50	881247A1	1-2486-01DR	8471
			S/N OG386496 - OT178499 (Std.)	ND	50	828506	1-2879-01ND	12359
225CXXL DTS Optimax	3.0L - 185.0ci - 225 H.P.	09-04	S/N OT980000-Up	DR	50	881247A1	1-2486-01DR	8471
225L	3.0L - 185.0ci - 225 H.P.	99-94	S/N OD280813 - OT408999	ND	50	821663-A1	1-2824-01ND-2	12358
225L EFI	3.0L - 185.0ci - 225 H.P.	04-01	S/N OT409000-Up	DR	50	881247A1	1-2486-01DR	8471
		00-96	S/N OG129222 - OT408999	ND	50	821663-A1	1-2824-01ND-2	12358
225L Optimax	3.0L - 185.0ci - 225 H.P.	09-01	S/N OT178500-Up	DR	50	881247A1	1-2486-01DR	8471
		00-98	S/N OG386496 - OT178499 (Opt.)	DR	50	881247A1	1-2486-01DR	8471
			S/N OG386496 - OT178499 (Std.)	ND	50	828506	1-2879-01ND	12359
225L DTS Optimax	3.0L - 185.0ci - 225 H.P.	09-03	S/N OT980000-Up	DR	50	881247A1	1-2486-01DR	8471
225XL	3.0L - 185.0ci - 225 H.P.	99-94	S/N OD280813 - OT408999	ND	50	821663-A1	1-2824-01ND-2	12358
225XL EFI	3.0L - 185.0ci - 225 H.P.	04-01	S/N OT409000-Up	DR	50	881247A1	1-2486-01DR	8471
		00-95	S/N OG129222 - OT408999	ND	50	821663-A1	1-2824-01ND-2	12358
225XL Optimax	3.0L - 185.0ci - 225 H.P.	09-01	S/N OT178500-Up	DR	50	881247A1	1-2486-01DR	8471
		00-98	S/N OG386496 - OT178499 (Opt.)	DR	50	881247A1	1-2486-01DR	8471
			S/N OG386496 - OT178499 (Std.)	ND	50	828506	1-2879-01ND	12359
225XL DTS Optimax	3.0L - 185.0ci - 225 H.P.	09-03	S/N OT980000-Up	DR	50	881247A1	1-2486-01DR	8471
225XS Sport Racing	3.0L - 185.0ci - 225 H.P.	09-06	Delco 5SI Alternator	DR	50	881247A1	1-2486-01DR	8471
225XXL	3.0L - 185.0ci - 225 H.P.	99-94	S/N OD280813 - OT408999	ND	50	821663-A1	1-2824-01ND-2	12358
225XXL EFI	3.0L - 185.0ci - 225 H.P.	04-01	S/N OT409000-Up	DR	50	881247A1	1-2486-01DR	8471
		00-95	S/N OG129222 - OT408999	ND	50	821663-A1	1-2824-01ND-2	12358
225XXL Optimax	3.0L - 185.0ci - 225 H.P.	09-01	S/N OT178500-Up	DR	50	881247A1	1-2486-01DR	8471
		00-98	S/N OG386496 - OT178499 (Opt.)	DR	50	881247A1	1-2486-01DR	8471
			S/N OG386496 - OT178499 (Std.)	ND	50	828506	1-2879-01ND	12359
225XXL DTS Optimax	3.0L - 185.0ci - 225 H.P.	09-03	S/N OT980000-Up	DR	50	881247A1	1-2486-01DR	8471
250 Pro XS Optimax	3.0L - 185.0ci - 250 H.P.	09-07	Delco 5SI Alternator	DR	50	881247A1	1-2486-01DR	8471
250CXL EFI	3.0L - 185.0ci - 250 H.P.	04-01	S/N OT409000-Up	DR	50	881247A1	1-2486-01DR	8471
		00-95	S/N OG129222 - OT408999	ND	50	821663-A1	1-2824-01ND-2	12358
250CXXL EFI	3.0L - 185.0ci - 250 H.P.	04-01	S/N OT409000-Up	DR	50	881247A1	1-2486-01DR	8471
		00-95	S/N OG129222 - OT408999	ND	50	821663-A1	1-2824-01ND-2	12358
250XL EFI	3.0L - 185.0ci - 250 H.P.	04-01	S/N OT409000-Up	DR	50	881247A1	1-2486-01DR	8471
		00-95	S/N OG129222 - OT408999	ND	50	821663-A1	1-2824-01ND-2	12358
250XS Racing	3.0L - 185.0ci - 250 H.P.	09-05	Delco 5SI Alternator	DR	50	881247A1	1-2486-01DR	8471
250XXL EFI	3.0L - 185.0ci - 250 H.P.	04-01	S/N OT409000-Up	DR	50	881247A1	1-2486-01DR	8471
		00-95	S/N OG129222 - OT408999	ND	50	821663-A1	1-2824-01ND-2	12358
			S/N OG610221 - OT105297	ND	50	821663-A1	1-2824-01ND-2	12358
300CL Promax Racing	3.0L - 185.0ci - 300 H.P.	00-98	S/N OG610221 - OT105297	ND	50	821663-A1	1-2824-01ND-2	12358
300CXL Promax Racing	3.0L - 185.0ci - 300 H.P.	00-98	S/N OG610221 - OT105297	ND	50	821663-A1	1-2824-01ND-2	12358
300L Promax Racing	3.0L - 185.0ci - 300 H.P.	00-98	S/N OG610221 - OT105297	ND	50	821663-A1	1-2824-01ND-2	12358
300X, XS Promax Racing	3.0L - 185.0ci - 300 H.P.	09-05	Delco 5SI Alternator	DR	50	881247A1	1-2486-01DR	8471
300XL Promax Racing	3.0L - 185.0ci - 300 H.P.	00-98	S/N OG610221 - OT105297	ND	50	821663-A1	1-2824-01ND-2	12358

## MITSUBISHI

### Inboard

K4E	K4E-61DML	87-On		MI	40	A0T25171	1-2392-01MI	12231
K4M	K4M-D61SS			MI	40	A0T25171	1-2392-01MI	12231
L3C	L3C-61WM			MI	40	A0T25171	1-2392-01MI	12231
	L3C-62WM			MI	40	A0T25171	1-2392-01MI	12231
L3E	L3E-61SS			MI	40	A0T25171	1-2392-01MI	12231
	L3E-62SS			MI	40	A0T25171	1-2392-01MI	12231

## MOTOROLA

### Marine Alternators

Various Models	Various Engines	82-On	Sgl Bottom Mtg; Top @ 1:00	VA	35	9AR2775F	1-2881-00VA	12407
		85-On	Single Hole - Later Style	MD	55	8EM2007KA	1-1947-01MD	7496

## NANNI

### Engines - Marine

570	Marlin Engines	All	Iskra System	IK	55	11.201.746	1-2525-01VA	12110
570T	Marlin Engines	All	Iskra System	IK	55	11.201.746	1-2525-01VA	12110

♦ See Buyer's Guide for Optional Units

# ALTERNATORS

Model	Engine	Year	Option	Mfg	Amp	OEM #	PART NO.	REF.
<b>NEW HOLLAND</b>								
<b>Mowers - Front</b>								
G6030	1.5L 3cyl 30HP Diesel	08-On	Mitsubishi System	MI	40	SBA18504-6320	<b>1-2480-01MI</b>	12077
G6035	1.7L 3cyl 36HP Diesel	08-On	Mitsubishi System	MI	40	SBA18504-6320	<b>1-2480-01MI</b>	12077
MC28	1.3L 3cyl 28HP Diesel	00-On	Mitsubishi System	MI	40	SBA18504-6320	<b>1-2480-01MI</b>	12077
MC35	1.7L 3cyl 35HP Diesel	00-On	Mitsubishi System	MI	40	SBA18504-6320	<b>1-2480-01MI</b>	12077
<b>Skid Steer Loaders</b>								
L140	N843 1.5L 32HP Diesel	06-On	Mitsubishi System	MI	40	SBA18504-6320	<b>1-2480-01MI</b>	12077
L150	N843H 1.5L 38HP Diesel	06-On	Mitsubishi System	MI	40	SBA18504-6320	<b>1-2480-01MI</b>	12077
L160	N844 2.0L 46HP Diesel	06-On	Mitsubishi System	MI	40	SBA18504-6320	<b>1-2480-01MI</b>	12077
L170	N844T 2.0L 52HP Turbo Dsl	06-On	Mitsubishi System	MI	40	SBA18504-6320	<b>1-2480-01MI</b>	12077
L465	Ford VSG413	99-94	Mitsubishi System	MI	40	SBA18504-6320	<b>1-2480-01MI</b>	12077
LS140	N843 Diesel	00-On	Mitsubishi System	MI	40	SBA18504-6320	<b>1-2480-01MI</b>	12077
LS150	N843H Diesel	00-On	Mitsubishi System	MI	40	SBA18504-6320	<b>1-2480-01MI</b>	12077
LS160	N844 Diesel	00-On	Mitsubishi System	MI	40	SBA18504-6320	<b>1-2480-01MI</b>	12077
LS170	N844T Diesel	00-On	Mitsubishi System	MI	40	SBA18504-6320	<b>1-2480-01MI</b>	12077
LX465	N843 Diesel	99-94	Mitsubishi System	MI	40	SBA18504-6320	<b>1-2480-01MI</b>	12077
LX485	N843 Diesel	99-94	Mitsubishi System	MI	40	SBA18504-6320	<b>1-2480-01MI</b>	12077
LX565	N844 Diesel	99-94	Mitsubishi System	MI	40	SBA18504-6320	<b>1-2480-01MI</b>	12077
LX665	N844 Diesel	99-94	Mitsubishi System	MI	40	SBA18504-6320	<b>1-2480-01MI</b>	12077
<b>Tractors - Compact</b>								
1320	3-77 Shibaura Diesel	98-87	w/Mitsubishi Alt.	MI	40	SBA18504-6320	<b>1-2480-01MI</b>	12077
1520	3-81 Shibaura Diesel	97-87	w/Mitsubishi Alt.	MI	40	SBA18504-6320	<b>1-2480-01MI</b>	12077
1530	3-81 Shibaura Diesel	98-96	wo/Cab	MI	40	SBA18504-6320	<b>1-2480-01MI</b>	12077
1620	3-81 Shibaura Diesel	97-91	w/Mitsubishi Alt.	MI	40	SBA18504-6320	<b>1-2480-01MI</b>	12077
1630	3-81 Shibaura Diesel	98-96	w/Mitsubishi Alt.	MI	40	SBA18504-6320	<b>1-2480-01MI</b>	12077
1715	3-81 Shibaura Diesel	97-93	w/Mitsubishi Alt.	MI	40	SBA18504-6320	<b>1-2480-01MI</b>	12077
1720	3-81 Shibaura Diesel	02-87	w/Mitsubishi Alt.	MI	40	SBA18504-6320	<b>1-2480-01MI</b>	12077
1725	3-81 Shibaura Diesel	98-96	w/Mitsubishi Alt.	MI	40	SBA18504-6320	<b>1-2480-01MI</b>	12077
1920	4-122 Shibaura Diesel	02-87	w/Mitsubishi Alt.	MI	40	SBA18504-6320	<b>1-2480-01MI</b>	12077
1925	3-91 Shibaura Diesel	98-96	wo/Cab	MI	40	SBA18504-6320	<b>1-2480-01MI</b>	12077
2120	4-138 Shibaura Diesel	02-87	w/Mitsubishi Alt.	MI	40	SBA18504-6320	<b>1-2480-01MI</b>	12077
3415	4-135 Shibaura Diesel	02-93	w/Mitsubishi Alt.	MI	40	SBA18504-6320	<b>1-2480-01MI</b>	12077
Boomer 2030	1.5L 3cyl 31HP Diesel	08-On	wo/Cab (Mitsubishi 40A)	MI	40	SBA18504-6320	<b>1-2480-01MI</b>	12077
Boomer 2035	1.6L 3cyl 35HP Diesel	08-On	wo/Cab (Mitsubishi 40A)	MI	40	SBA18504-6320	<b>1-2480-01MI</b>	12077
Boomer 3040	2.0L 4cyl 40HP Diesel	08-On	wo/Cab (Mitsubishi 40A)	MI	40	SBA18504-6320	<b>1-2480-01MI</b>	12077
Boomer 3045	2.2L 4cyl 45HP Diesel	08-On	wo/Cab (Mitsubishi 40A)	MI	40	SBA18504-6320	<b>1-2480-01MI</b>	12077
Boomer 3050	2.2L 4cyl 50HP Diesel	08-On	wo/Cab (Mitsubishi 40A)	MI	40	SBA18504-6320	<b>1-2480-01MI</b>	12077
T1510	1.5L 3cyl 30HP Diesel	08-On	Mitsubishi System	MI	40	SBA18504-6320	<b>1-2480-01MI</b>	12077
T1520	1.7L 3cyl 35HP Diesel	07-On	Mitsubishi System	MI	40	SBA18504-6320	<b>1-2480-01MI</b>	12077
T2210	1.5L 3cyl 31HP Diesel	08-On	wo/Cab (Mitsubishi 40A)	MI	40	SBA18504-6320	<b>1-2480-01MI</b>	12077
T2220	1.6L 3cyl 35HP Diesel	08-On	wo/Cab (Mitsubishi 40A)	MI	40	SBA18504-6320	<b>1-2480-01MI</b>	12077
T2310	2.0L 4cyl 40HP Diesel	08-On	wo/Cab (Mitsubishi 40A)	MI	40	SBA18504-6320	<b>1-2480-01MI</b>	12077
T2320	2.2L 4cyl 45HP Diesel	08-On	wo/Cab (Mitsubishi 40A)	MI	40	SBA18504-6320	<b>1-2480-01MI</b>	12077
T2330	2.2L 4cyl 50HP Diesel	08-On	wo/Cab (Mitsubishi 40A)	MI	40	SBA18504-6320	<b>1-2480-01MI</b>	12077
TC25	Shibura 25HP Diesel	05-98	Mitsubishi System	MI	40	SBA18504-6320	<b>1-2480-01MI</b>	12077
TC25D	Shibura 25HP Diesel	05-98	Mitsubishi System	MI	40	SBA18504-6320	<b>1-2480-01MI</b>	12077
TC29	Shibura 29HP Diesel	99-On	Mitsubishi System	MI	40	SBA18504-6320	<b>1-2480-01MI</b>	12077
TC29D	Shibura 29HP Diesel	99-On	Mitsubishi System	MI	40	SBA18504-6320	<b>1-2480-01MI</b>	12077
TC29DA	Shibura 29HP Diesel	03-On	Mitsubishi System	MI	40	SBA18504-6320	<b>1-2480-01MI</b>	12077
TC30	New Holland 30HP Diesel	01-On	Mitsubishi System	MI	40	SBA18504-6320	<b>1-2480-01MI</b>	12077
TC31DA	New Holland 31HP Diesel	06-On	Models wo/Cab	MI	40	SBA18504-6320	<b>1-2480-01MI</b>	12077
TC33	Shibura 33HP Diesel	99-On	Mitsubishi System	MI	40	SBA18504-6320	<b>1-2480-01MI</b>	12077
TC33D	Shibura 33HP Diesel	99-On	Mitsubishi System	MI	40	SBA18504-6320	<b>1-2480-01MI</b>	12077
TC33DA	Shibura 33HP Diesel	03-On	Mitsubishi System	MI	40	SBA18504-6320	<b>1-2480-01MI</b>	12077
TC34DA	New Holland 34HP Diesel	06-On	Models wo/Cab	MI	40	SBA18504-6320	<b>1-2480-01MI</b>	12077
TC35	New Holland 35HP Diesel	00-On	Mitsubishi System	MI	40	SBA18504-6320	<b>1-2480-01MI</b>	12077
TC35A	New Holland 35HP Diesel	03-On	Mitsubishi System	MI	40	SBA18504-6320	<b>1-2480-01MI</b>	12077
TC35DA	New Holland 35HP Diesel	03-On	Mitsubishi System	MI	40	SBA18504-6320	<b>1-2480-01MI</b>	12077
TC40	New Holland 40HP Diesel	00-On	Mitsubishi System	MI	40	SBA18504-6320	<b>1-2480-01MI</b>	12077
TC40A	New Holland 40HP Diesel	03-On	Mitsubishi System	MI	40	SBA18504-6320	<b>1-2480-01MI</b>	12077

♦ See Buyer's Guide for Optional Units

# ALTERNATORS

Model	Engine	Year	Option	Mfg	Amp	OEM #	PART NO.	REF.
<b>NEW HOLLAND - continued</b>								
<b>Tractors - Compact - continued</b>								
TC40D	New Holland 40HP Diesel	00-On	Mitsubishi System	MI	40	SBA18504-6320	1-2480-01MI	12077
TC40DA	New Holland 40HP Diesel	03-On	Models wo/Cab	MI	40	SBA18504-6320	1-2480-01MI	12077
TC45	New Holland 45HP Diesel	00-On	Mitsubishi System	MI	40	SBA18504-6320	1-2480-01MI	12077
TC45A	New Holland 45HP Diesel	03-On	Mitsubishi System	MI	40	SBA18504-6320	1-2480-01MI	12077
TC45D	New Holland 45HP Diesel	00-On	Mitsubishi System	MI	40	SBA18504-6320	1-2480-01MI	12077
TC45DA	New Holland 45HP Diesel	03-On	Models wo/Cab	MI	40	SBA18504-6320	1-2480-01MI	12077

## OMC

### Engines - Marine

INBOARD & V-DRIVE	2.5L	86-84	Delco System	DR	61	983424	20-159-1	7152
	3.0L	96-94	Mando System	MD	55	3860769	1-1947-01MD	12174
		87	Delco System	DR	61	983424	20-159-1	7152
		86-84	Delco System	DR	61	983424	20-159-1	7152
	3.8L	85-84	Delco System	DR	61	983836	20-159-1	7152
	4.3L	96-94	Mando System	MD	55	3860769	1-1947-01MD	12174
		86-85	Delco System	DR	61	983424	20-159-1	7152
	5.0L	96-94	Mando System	MD	65	3854182	1-2307-31MD	12177
		93	Mando System	MD	65	3857561	1-2307-31MD	12177
		86-84	GM Engine (Delco)	DR	61	983424	20-159-1	7152
	5.7L	96-94	Mando System	MD	55	3860769	1-1947-01MD	12174
		86-84	Delco System	DR	61	983424	20-159-1	7152
	5.8L	96-94	Mando System (EFI)	MD	65	3857561	1-2307-31MD	12177
			Mando System (Exc. EFI)	MD	55	3860769	1-1947-01MD	12174
		93	Mando System (EFI)	MD	65	3857561	1-2307-31MD	12177
			Mando System (Exc. EFI)	MD	55	3860769	1-1947-01MD	12174
	7.4L	96-94	Mando System	MD	55	3860769	1-1947-01MD	12174
		93	Mando System	MD	55	3860769	1-1947-01MD	12174
	80 HP	74-66	Prestolite 34A Alternator	DR	61	ALK6207	1-2834	7317
	120 HP	74-66	Prestolite 34A Alternator	DR	61	ALK6207	1-2834	7317
	155 HP	74-66	Prestolite 34A Alternator	DR	61	ALK6207	1-2834	7317
	185 HP	74-66	Prestolite 34A Alternator	DR	61	ALK6207	1-2834	7317
	200 HP	74-66	Prestolite 34A Alternator	DR	61	ALK6207	1-2834	7317
	210 HP	74-66	Prestolite 34A Alternator	DR	61	ALK6207	1-2834	7317
	235 HP	74-66	Prestolite 34A Alternator	DR	61	ALK6207	1-2834	7317
	Various Engines	87-81	Delco 42A 10SI w/Screen	DR	61	1100577	20-159-1	7152
		85-On	Mando 55A Alternator	MD	55	AR150AA	1-1947-01MD	12174
			Mando 65A Alternator	MD	65	AC165618	1-2307-31MD	12177

## PANTHER

### Inboard & Sterndrive

Various		89-On	Motorola System	MD	55	8EM2007K	1-1947-01MD	7496
---------	--	-------	-----------------	----	----	----------	-------------	------

## PERKINS

### Engines - Marine

Various Models		All	Motorola System	VA	45	9AR3711G	1-2880-01VA	12409
			Motorola System	VA	45	9AR3743G	1-2880-01VA	12409
	Single Bottom Mount	All	Motorola (12:00 Top Ear; 24V; 45A)	VA	45	9AR3711G	1-2880-01VA	12409
			Motorola (12:00 Top Ear; 24V; 45A)	VA	45	9AR3743G	1-2880-01VA	12409

## PLEASURECRAFT

### Inboard & Sterndrive

305CI, 5.0L	8 Cyl., 305CI, 5.0L	04-02	Delco 7SI Alternator	DR	70	19020606	1-3045-01DR	8467
350CI, 5.7L	8 Cyl., 350CI, 5.7L	04-02	Delco 7SI Alternator	DR	70	19020606	1-3045-01DR	8467
496CI, 8.1L	8 Cyl., 496CI, 8.1L	04-01	Delco 7SI Alternator	DR	70	19020606	1-3045-01DR	8467
Various Models	Various Engines	74-On	Delco 42A 10SI w/Screen	DR	61	1100577	20-159-1	7152
		85-On	Mando 55A (Single Pulley)	MD	55	AC155614	1-2468-31MD	12268
			Mando 55A Alternator	MD	55	AC155603	1-1947-01MD	12174
			Mando 55A Alternator	MD	55	AR150AA	1-1947-01MD	12174
			Mando 65A Alternator	MD	65	AC165618	1-2307-31MD	12177
		89-On	Motorola 51A Alternator	MD	55	8EM2007K	1-1947-01MD	7496
			Motorola 51A Alternator	MD	55	8EM2007KA	1-1947-01MD	7496

♦ See Buyer's Guide for Optional Units

# ALTERNATORS

Model	Engine	Year	Option	Mfg	Amp	OEM #	PART NO.	REF.
-------	--------	------	--------	-----	-----	-------	----------	------

## RENAULT

### Engines - Marine

RC18D	Single Bottom Mount	All	Motorola (1:00 Top; 12V; 35A)	VA	35	9AR2775F	1-2881-00VA	12407
RC25	Single Bottom Mount	All	Motorola (1:00 Top; 12V; 35A)	VA	35	9AR2775G	1-2881-00VA	12407
RC25D	Single Bottom Mount	All	Motorola (1:00 Top; 12V; 35A)	VA	35	9AR2775G	1-2881-00VA	12407
RC36D	Single Bottom Mount	All	Motorola (1:00 Top; 12V; 35A)	VA	35	9AR2775G	1-2881-00VA	12407
RC90DS	Single Bottom Mount	All	Motorola (1:00 Top; 12V; 35A)	VA	35	9AR2775G	1-2881-00VA	12407
RC100. D	Single Bottom Mount	All	Motorola (1:00 Top; 12V; 35A)	VA	35	9AR2775G	1-2881-00VA	12407
RC105D	Single Bottom Mount	All	Paris Rhone (1:00 Top; 24V; 55A)	IK	55	A14N47M	1-2525-01VA	12110
RC106D, DS	Single Bottom Mount	All	Motorola (1:00 Top; 12V; 35A)	VA	35	9AR2775G	1-2881-00VA	12407
RC120D	Single Bottom Mount	All	Paris Rhone (1:00 Top; 24V; 30A)	VA	30	A13N143M	1-2882-00VA	12415
RC140D	Single Bottom Mount	All	Motorola (1:00 Top; 12V; 35A)	VA	35	9AR2775G	1-2881-00VA	12407
RC145DTS	Single Bottom Mount	All	Motorola (1:00 Top; 12V; 35A)	VA	35	9AR2775G	1-2881-00VA	12407
RC160DS	Single Bottom Mount	All	Motorola (1:00 Top; 12V; 35A)	VA	35	9AR2775G	1-2881-00VA	12407
RC180D	Single Bottom Mount	All	Motorola (1:00 Top; 12V; 35A)	VA	35	9AR2775G	1-2881-00VA	12407
RC210DT, DTS	Single Bottom Mount	All	Paris Rhone (1:00 Top; 24V; 55A)	IK	55	A14N47M	1-2525-01VA	12110
RC215DV, DTS	Single Bottom Mount	All	Paris Rhone (1:00 Top; 24V; 55A)	IK	55	A14N47M	1-2525-01VA	12110
RC240DTS	Single Bottom Mount	All	Paris Rhone (1:00 Top; 24V; 55A)	IK	55	A14N47M	1-2525-01VA	12110
RC285DV	Single Bottom Mount	All	Paris Rhone (1:00 Top; 24V; 55A)	IK	55	A14N47M	1-2525-01VA	12110
RC320D	Single Bottom Mount	All	Paris Rhone (1:00 Top; 24V; 55A)	IK	55	A14N47M	1-2525-01VA	12110
RC355DV	Single Bottom Mount	All	Paris Rhone (1:00 Top; 24V; 30A)	VA	30	A13N143M	1-2882-00VA	12415
			Paris Rhone (1:00 Top; 24V; 55A)	IK	55	A14N47M	1-2525-01VA	12110
RC480DV, Turbo	Single Bottom Mount	All	Paris Rhone (1:00 Top; 24V; 30A)	VA	30	A13N143M	1-2882-00VA	12415
			Paris Rhone (1:00 Top; 24V; 55A)	IK	55	A14N47M	1-2525-01VA	12110
RC600DTV	Single Bottom Mount	All	Paris Rhone (1:00 Top; 24V; 55A)	IK	55	A14N47M	1-2525-01VA	12110
RC800DTV	Single Bottom Mount	All	Paris Rhone (1:00 Top; 24V; 30A)	VA	30	A13N143M	1-2882-00VA	12415
			Paris Rhone (1:00 Top; 24V; 55A)	IK	55	A14N47M	1-2525-01VA	12110

## REX

### Inboard & Sterndrive

Various Models		85-On	w/1 Hole Mount w/Tach. Hookup	MD	55	8EM2007K	1-1947-01MD	7496
----------------	--	-------	-------------------------------	----	----	----------	-------------	------

## SABB

### Engines - Marine

Various Models		All	Motorola System (12V; 35A)	VA	35	9AR2775F	1-2881-00VA	12407
----------------	--	-----	----------------------------	----	----	----------	-------------	-------

## SABRE

### Engines - Marine

Various Models	Single Bottom Mount	All	Motorola (12:00 Top Ear; 24V; 45A)	VA	45	9AR3711G	1-2880-01VA	12409
			Motorola (12:00 Top Ear; 24V; 45A)	VA	45	9AR3743G	1-2880-01VA	12409

## STEWART & STEVENSON

### Inboard & Sterndrive

Various Models		88-On	2nd Prod. w/1 Hole Mount w/Tach. Hookup	MD	55	8EM2007K	1-1947-01MD	7496
----------------	--	-------	---	----	----	----------	-------------	------

## TORO

### Mowers - Fairway

Groundsmaster 220D	Mitsubishi Diesel	91-88	Mitsubishi System	MI	40	A0T25371	1-2392-01MI	12231
Groundsmaster 223D	Mitsubishi Diesel	97-92	Mitsubishi System	MI	40	A0T25371	1-2392-01MI	12231
Groundsmaster 224	Mitsubishi Diesel	96-89	Mitsubishi System	MI	40	A0T25371	1-2392-01MI	12231
Reelmaster 223-D	L3E Mitsubishi Diesel	92-90	Mitsubishi System	MI	40	67-4630	1-2392-01MI	12231
Reelmaster 5100-D		98-92	Mitsubishi System	MI	40	67-4630	1-2392-01MI	12231

### Utility Vehicle (UTV)

Workman 3300-D		98-93	Mitsubishi System	MI	40	67-4630	1-2392-01MI	12231
Workman 4300-D		98-94	Mitsubishi System	MI	40	67-4630	1-2392-01MI	12231

## VALEO

### Marine Alternators

Various Models	Various Engines	75-On	Various Manufacturers	VA	50	A13N147M	1-1938-01PR-2	13068
			Various Manufacturers	VA	50	A13N148M	1-1938-01PR-2	13068
			Various Manufacturers	VA	50	A13N1M	1-1938-01PR-2	13068
			Various Manufacturers	VA	50	A13N2M	1-1938-01PR-2	13068

Model	Engine	Year	Option	Mfg	Amp	OEM #	PART NO.	REF.
<b>VETUS</b>								
<b>Inboard &amp; Sterndrive</b>								
M 2.04	2 Cyl.	All	Mitsubishi System	MI	40	STM1243	1-2392-01MI	12231
M 2.06	2 Cyl., 39CI, 635cc	All	Mitsubishi System	MI	40	STM1243	1-2392-01MI	12231
M 2.C5	2 Cyl., 33CI, 538cc	All	Mitsubishi System	MI	40	STM1243	1-2392-01MI	12231
M 2.D5	2 Cyl., 33CI, 538cc	All	Mitsubishi System	MI	40	STM1243	1-2392-01MI	12231
<b>VOLVO PENTA</b>								
<b>Inboard &amp; Sterndrive</b>								
3.0GL	4cyl, 181ci, 3.0L Gas	99-93	Mando System	MD	55	3860769	1-1947-01MD	12174
3.0GLM	4cyl, 181ci, 3.0L Gas	07-00	GLM-A, -B (75A Valeo)	VA	65	3862613	1-2887-01VA	12673
3.0GLP	4cyl, 181ci, 3.0L Gas	07-00	GLP-A, -B (75A Valeo)	VA	65	3862613	1-2887-01VA	12673
3.0GS	4cyl, 181ci, 3.0L Gas	99-93	MEF, PEF Engines Only (65A Mando)	MD	65	3860082	1-2464-01MD	12391
			65A Mando (Exc. MEF, PEF Engines)	MD	65	3856600	1-2307-31MD	12177
			55A Mando (Exc. MEF, PEF Engines)	MD	55	3860769	1-1947-01MD	12174
3.0GSM	4cyl, 181ci, 3.0L Gas	02-00	GSM-A, -B, -C (65A Mando)	MD	65	3860082	1-2464-01MD	12391
3.0GSP	4cyl, 181ci, 3.0L Gas	02-00	GSP-A, -B, -C (65A Mando)	MD	65	3860082	1-2464-01MD	12391
4.3Gi	6cyl, 262ci, 4.3L Gas	99-93	w/65A Mando (12V)	MD	65	3854182	1-2307-31MD	12177
			w/55A Mando (12V)	MD	55	3860769	1-1947-01MD	12174
4.3GL	6cyl, 262ci, 4.3L Gas	07-00	GL-B thru GL-EF (w/65A Valeo)	VA	65	3862612	1-2886-01VA	12672
			GL-A (w/65A Mando)	MD	65	3854182	1-2307-31MD	12177
			99-93	w/65A Mando (12V)	MD	65	3854182	1-2307-31MD
4.3GS	6cyl, 262ci, 4.3L Gas	99-93	w/55A Mando (12V)	MD	55	3860769	1-1947-01MD	12174
			w/65A Mando (12V)	MD	65	3854182	1-2307-31MD	12177
4.3GXi, Osi	6cyl, 262ci, 4.3L Gas	07-00	C thru -DF (w/75A Valeo)	VA	65	3862613	1-2887-01VA	12673
			A thru -BF (w/65A Mando)	MD	65	3860082	1-2464-01MD	12391
5.0Fi	8cyl, 302ci, 5.0L Ford	99-93	w/65A Mando (12V)	MD	65	3857561	1-2307-31MD	12177
			w/55A Mando (12V)	MD	55	3860769	1-1947-01MD	12174
5.0FL	8cyl, 302ci, 5.0L Ford	99-93	w/65A Mando (12V)	MD	65	3857561	1-2307-31MD	12177
			w/55A Std. Motorola (12V)	MD	55	3860769	1-1947-01MD	12174
5.0Gi	8cyl, 305ci, 5.0L GM	99-97	Gi-PEFS Only (w/65A Mando)	MD	65	3860082	1-2464-01MD	12391
			Exc. Gi-PEFS (w/65A Mando) (12V)	MD	65	3857561	1-2307-31MD	12177
5.0GL	8cyl, 305ci, 5.0L GM	07-00	C thru -FF (w/75A Valeo)	VA	65	3862612	1-2886-01VA	12672
			A thru -B (w/65A Mando)	MD	65	3857561	1-2307-31MD	12177
		99-97	GL-PEFS Only (w/65A Mando)	MD	65	3860082	1-2464-01MD	12391
5.0GXi, Osi	8cyl, 305ci, 5.0L GM	07-01	Exc. GL-PEFS (w/65A Mando) (12V)	MD	65	3857561	1-2307-31MD	12177
			A thru -DF (w/65A Mando)	MD	65	3860082	1-2464-01MD	12391
5.7Gi	8cyl, 350ci, 5.7L Gas	07-00	A thru -DF (w/65A Mando)	MD	65	3860082	1-2464-01MD	12391
			99-93	w/65A Mando (12V)	MD	65	3857561	1-2307-31MD
		w/55A Std. Motorola (12V)	MD	55	3860769	1-1947-01MD	12174	
5.7GiL	8cyl, 350ci, 5.7L Gas	07-00	C thru -D (w/75A Valeo)	VA	65	3862613	1-2887-01VA	12673
			A thru -B (w/65A Mando)	MD	65	3860082	1-2464-01MD	12391
5.7GL	8cyl, 350ci, 5.7L Gas	07-00	C thru -E (w/65A Valeo)	VA	65	3862612	1-2886-01VA	12672
			A thru -B (w/65A Mando)	MD	65	3857561	1-2307-31MD	12177
		99-93	w/65A Mando (12V)	MD	65	3857561	1-2307-31MD	12177
5.7GLi	8cyl, 350ci, 5.7L Gas	99-93	w/55A Std. Motorola (12V)	MD	55	3860769	1-1947-01MD	12174
			w/65A Mando (12V)	MD	65	3857561	1-2307-31MD	12177
5.7GS	8cyl, 350ci, 5.7L Gas	99-93	w/65A Mando (12V)	MD	65	3857561	1-2307-31MD	12177
			w/55A Std. Motorola (12V)	MD	55	3860769	1-1947-01MD	12174
5.7GSi	8cyl, 350ci, 5.7L Gas	99-93	w/65A Mando (12V)	MD	65	3857561	1-2307-31MD	12177
			w/55A Std. Motorola (12V)	MD	55	3860769	1-1947-01MD	12174
5.7GSiL	8cyl, 350ci, 5.7L Gas	02-00	A (w/65A Mando)	MD	65	3860082	1-2464-01MD	12391
5.7GXi	8cyl, 350ci, 5.7L Gas	07-00	A thru -EF (w/65A Mando)	MD	65	3860082	1-2464-01MD	12391
5.7GXIL	8cyl, 350ci, 5.7L Gas	07-00	D thru -E (w/75A Valeo)	VA	65	3862613	1-2887-01VA	12673
			A thru -C (w/65A Mando)	MD	65	3860082	1-2464-01MD	12391
5.7OSi	8cyl, 350ci, 5.7L Gas	07-00	A thru -CF (w/65A Mando)	MD	65	3860082	1-2464-01MD	12391
5.7OSXi	8cyl, 350ci, 5.7L Gas	07-00	A thru -CF (w/65A Mando)	MD	65	3860082	1-2464-01MD	12391
5.8L	8cyl, 351ci, 5.8L Gas	96-93	w/65A Mando (12V)	MD	65	3857561	1-2307-31MD	12177
			w/55A Std. Mando (12V)	MD	55	3860769	1-1947-01MD	12174

◆ See Buyer's Guide for Optional Units



# ALTERNATORS

Model	Engine	Year	Option	Mfg	Amp	OEM #	PART NO.	REF.
<b>VOLVO PENTA - continued</b>								
<b>Inboard &amp; Sterndrive - continued</b>								
5.8Fi	8cyl, 351ci, 5.8L Gas	96-93	w/65A Mando (12V)	MD	65	3857561	1-2307-31MD	12177
			w/55A Mando (12V)	MD	55	3860769	1-1947-01MD	12174
5.8FL	8cyl, 351ci, 5.8L Gas	96-93	w/65A Mando (12V)	MD	65	3857561	1-2307-31MD	12177
5.8Fsi	8cyl, 351ci, 5.8L Gas	96-93	w/65A Mando (12V)	MD	65	3857561	1-2307-31MD	12177
7.4Gi	8cyl, 454ci, 7.4L Gas	99-94	w/65A Mando (Double Large Spool)	MD	65	3860082	1-2464-01MD	12391
			w/65A Mando (Single Large Spool)	MD	65	3857561	1-2307-31MD	12177
7.4GL	8cyl, 454ci, 7.4L Gas	99-94	w/65A Mando (12V)	MD	65	3857561	1-2307-31MD	12177
			w/55A Std. Mando (12V)	MD	55	3860769	1-1947-01MD	12174
7.4Gsi	8cyl, 454ci, 7.4L Gas	99-94	w/65A Mando (Double Large Spool)	MD	65	3860082	1-2464-01MD	12391
			w/65A Mando (Single Large Spool)	MD	65	3857561	1-2307-31MD	12177
8.1Gi	8cyl, 496ci, 8.1L Gas	07-00	A thru -BF (w/65A Valeo)	MD	65	3860798	1-2460-01VA	12392
8.1GiL	8cyl, 496ci, 8.1L Gas	07-00	A thru -B (w/65A Valeo)	MD	65	3860798	1-2460-01VA	12392
8.1GSi	8cyl, 496ci, 8.1L Gas	02-00	w/65A Valeo (12V)	MD	65	3860798	1-2460-01VA	12392
8.1GSiL	8cyl, 496ci, 8.1L Gas	02-00	w/65A Valeo (12V)	MD	65	3860798	1-2460-01VA	12392
8.1GXi	8cyl, 496ci, 8.1L Gas	07-00	A thru -AF (w/65A Valeo)	MD	65	3860798	1-2460-01VA	12392
8.1GXiL	8cyl, 496ci, 8.1L Gas	07-00	A (w/65A Valeo)	MD	65	3860798	1-2460-01VA	12392
8.2GL	8cyl, 502ci, 8.2L Gas	99-94	w/65A Mando (12V)	MD	65	3857561	1-2307-31MD	12177
			w/55A Std. Mando (12V)	MD	55	3860769	1-1947-01MD	12174
8.2GSi	8cyl, 502ci, 8.2L Gas	99-94	w/65A Mando (Double Large Spool)	MD	65	3860082	1-2464-01MD	12391
			w/65A Mando (Single Large Spool)	MD	65	3857561	1-2307-31MD	12177
431A,B	6cyl, 262ci, 4.3L Gas	92-89	w/60A Paris Rhone (12V)	VA	60	A13N234	1-2884-00VA	12411
			w/50A Paris Rhone (12V)	VA	50	A13N1M	1-1938-01PR-2	13068
432A,B	6cyl, 262ci, 4.3L Gas	98-92	w/60A Paris Rhone (12V)	VA	60	A13N234	1-2884-00VA	12411
			w/50A Paris Rhone (12V)	VA	50	A13N1M	1-1938-01PR-2	13068
434A,B	6cyl, 262ci, 4.3L Gas	97-92	w/60A Paris Rhone (12V)	VA	60	A13N234	1-2884-00VA	12411
			w/50A Paris Rhone (12V)	VA	50	A13N1M	1-1938-01PR-2	13068
500A,B	8cyl, 305ci, 5.0L Gas	93-89	w/60A Paris Rhone (12V)	VA	60	A13N234	1-2884-00VA	12411
			w/50A Paris Rhone (12V)	VA	50	A13N1M	1-1938-01PR-2	13068
501A,B	8cyl, 305ci, 5.0L Gas	93-89	w/60A Paris Rhone (12V)	VA	60	A13N234	1-2884-00VA	12411
			w/50A Paris Rhone (12V)	VA	50	A13N1M	1-1938-01PR-2	13068
570A	8cyl, 350ci, 5.7L Gas	93-89	w/60A Paris Rhone (12V)	VA	60	A13N234	1-2884-00VA	12411
			w/50A Paris Rhone (12V)	VA	50	A13N1M	1-1938-01PR-2	13068
572A,B	8cyl, 350ci, 5.7L Gas	98-91	w/60A Paris Rhone (12V)	VA	60	A13N234	1-2884-00VA	12411
			w/50A Paris Rhone (12V)	VA	50	A13N1M	1-1938-01PR-2	13068
740A,B	8cyl, 454ci, 7.4L Gas	93-89	w/60A Paris Rhone (12V)	VA	60	A13N234	1-2884-00VA	12411
			w/50A Paris Rhone (12V)	VA	50	A13N1M	1-1938-01PR-2	13068
2001	1cyl Diesel	93-83	w/60A Paris Rhone (12V)	VA	60	A13N234	1-2884-00VA	12411
2002	2cyl Diesel	93-83	w/60A Paris Rhone (12V)	VA	60	A13N234	1-2884-00VA	12411
			w/50A Paris Rhone (12V)	VA	50	A13N1M	1-1938-01PR-2	13068
2003,T	3cyl Diesel	93-83	w/60A Paris Rhone (12V)	VA	60	A13N234	1-2884-00VA	12411
			w/50A Paris Rhone (12V)	VA	50	A13N1M	1-1938-01PR-2	13068
AD31,A,B,D,L,P,X	4cyl, 146ci, 2.4L Diesel	04-86	w/60A Paris Rhone (24V)	IK	55	A14N112M	1-2525-01VA	12110
			w/60A Paris Rhone (12V)	VA	60	A13N234	1-2884-00VA	12411
			w/50A Paris Rhone (12V)	VA	50	A13N259	1-2883-00VA	13059
AD41A,B,D,L,P	6cyl, 219ci, 3.6L Diesel	05-88	w/60A Paris Rhone (12V)	VA	60	A13N234	1-2884-00VA	12411
AD290		All	w/50A Paris Rhone (12V)	VA	50	A13N147M	1-1938-01PR-2	13068
AQ21A		All	w/35A Motorola (12V)	VA	35	9AR2775F	1-2881-00VA	12407
AQ100	4cyl Gas	63-61	w/30A Paris Rhone (24V)	VA	30	A13N143M	1-2882-00VA	12415
			w/35A Motorola (12V)	VA	35	9AR2775F	1-2881-00VA	12407
AQ115A,B,C	4cyl Gas	77-69	w/60A Paris Rhone (12V)	VA	60	A13N234	1-2884-00VA	12411
			w/35A Motorola (12V)	VA	35	9AR2775F	1-2881-00VA	12407
AQ120	4cyl Gas	80-66	w/50A Paris Rhone (12V)	VA	50	A13N1M	1-1938-01PR-2	13068
			w/35A Motorola (12V)	VA	35	9AR2775F	1-2881-00VA	12407
AQ120B	4cyl Gas	80-66	w/60A Paris Rhone (12V)	VA	60	A13N234	1-2884-00VA	12411
AQ125,A,B	4cyl Gas	85-81	w/60A Paris Rhone (12V)	VA	60	A13N234	1-2884-00VA	12411
			w/50A Paris Rhone (12V)	VA	50	A13N259	1-2883-00VA	13059
			w/50A Paris Rhone (12V)	VA	50	A13N147M	1-1938-01PR-2	13068
			w/50A Paris Rhone (12V)	VA	50	A13N2M	1-1938-01PR-2	13068

Model	Engine	Year	Option	Mfg	Amp	OEM #	PART NO.	REF.
<b>VOLVO PENTA - continued</b>								
<b>Inboard &amp; Sterndrive - continued</b>								
AQ130A,B,C,D	4cyl Gas	77-68	w/60A Paris Rhone (12V)	VA	60	A13N234	1-2884-00VA	12411
			w/35A Motorola (12V)	VA	35	9AR2775F	1-2881-00VA	12407
AQ131A,B,C,D	4cyl Gas	89-85	w/60A Paris Rhone (12V)	VA	60	A13N234	1-2884-00VA	12411
			w/50A Paris Rhone (12V)	VA	50	A13N259	1-2883-00VA	13059
			w/50A Paris Rhone (12V)	VA	50	A13N147M	1-1938-01PR-2	13068
			w/50A Paris Rhone (12V)	VA	50	A13N2M	1-1938-01PR-2	13068
AQ140,A	4cyl Gas	79-75	w/60A Paris Rhone (12V)	VA	60	A13N234	1-2884-00VA	12411
			w/50A Paris Rhone (12V)	VA	50	A13N2M	1-1938-01PR-2	13068
			w/35A Motorola (12V)	VA	35	9AR2775F	1-2881-00VA	12407
AQ145	4cyl Gas	85-79	w/60A Paris Rhone (12V)	VA	60	A13N234	1-2884-00VA	12411
			w/50A Paris Rhone (12V)	VA	50	A13N147M	1-1938-01PR-2	13068
AQ145A	4cyl Gas	85-79	w/60A Paris Rhone (12V)	VA	60	A13N234	1-2884-00VA	12411
			w/50A Paris Rhone (12V)	VA	50	A13N1M	1-1938-01PR-2	13068
AQ145B	4cyl Gas	85-79	w/50A Paris Rhone (12V)	VA	50	A13N259	1-2883-00VA	13059
			w/50A Paris Rhone (12V)	VA	50	A13N147M	1-1938-01PR-2	13068
			w/50A Paris Rhone (12V)	VA	50	A13N2M	1-1938-01PR-2	13068
AQ165	6cyl Gas	69-68	w/60A Paris Rhone (12V)	VA	60	A13N234	1-2884-00VA	12411
AQ165A	6cyl Gas	69-68	w/60A Paris Rhone (12V)	VA	60	A13N234	1-2884-00VA	12411
			w/35A Motorola (12V)	VA	35	9AR2775F	1-2881-00VA	12407
AQ170A,B,C,D	6cyl Gas	80-69	w/60A Paris Rhone (12V)	VA	60	A13N234	1-2884-00VA	12411
			w/35A Motorola (12V)	VA	35	9AR2775F	1-2881-00VA	12407
AQ171A	4cyl Gas	All	w/50A Paris Rhone (12V)	VA	50	A13N147M	1-1938-01PR-2	13068
			w/50A Paris Rhone (12V)	VA	50	A13N2M	1-1938-01PR-2	13068
AQ175	6cyl Gas	All	w/50A Paris Rhone (12V)	VA	50	A13N259	1-2883-00VA	13059
AQ175A	6cyl Gas	85-81	w/60A Paris Rhone (12V)	VA	60	A13N234	1-2884-00VA	12411
			w/50A Paris Rhone (12V)	VA	50	A13N1M	1-1938-01PR-2	13068
AQ200A,B,C	8cyl Gas	86-69	w/60A Paris Rhone (12V)	VA	60	A13N234	1-2884-00VA	12411
			w/50A Paris Rhone (12V)	VA	50	A13N259	1-2883-00VA	13059
AQ200D	8cyl Gas	All	w/50A Paris Rhone (12V)	VA	50	A13N147M	1-1938-01PR-2	13068
			w/50A Paris Rhone (12V)	VA	50	A13N1M	1-1938-01PR-2	13068
AQ205	6cyl Gas	All	w/50A Paris Rhone (12V)	VA	50	A13N259	1-2883-00VA	13059
AQ205A	6cyl Gas	89-88	w/60A Paris Rhone (12V)	VA	60	A13N234	1-2884-00VA	12411
			w/50A Paris Rhone (12V)	VA	50	A13N147M	1-1938-01PR-2	13068
AQ211	8cyl Gas	All	w/50A Paris Rhone (12V)	VA	50	A13N259	1-2883-00VA	13059
AQ211A	8cyl Gas	89-86	w/60A Paris Rhone (12V)	VA	60	A13N234	1-2884-00VA	12411
AQ225A,B,C,D,F	8cyl Gas	86-73	w/60A Paris Rhone (12V)	VA	60	A13N234	1-2884-00VA	12411
			w/50A Paris Rhone (12V)	VA	50	A13N259	1-2883-00VA	13059
			Paris Rhone System	VA	50	A13N1M	1-1938-01PR-2	13068
AQ231A,B	8cyl Gas	89-86	w/60A Paris Rhone (12V)	VA	60	A13N234	1-2884-00VA	12411
			w/50A Paris Rhone (12V)	VA	50	A13N259	1-2883-00VA	13059
			w/50A Paris Rhone (12V)	VA	50	A13N147M	1-1938-01PR-2	13068
AQ255A,B	8cyl Gas	78-77	w/60A Paris Rhone (12V)	VA	60	A13N234	1-2884-00VA	12411
AQ256		All	w/60A Paris Rhone (12V)	VA	60	A13N234	1-2884-00VA	12411
AQ260	8cyl Gas	All	w/60A Paris Rhone (12V)	VA	60	A13N234	1-2884-00VA	12411
			w/50A Paris Rhone (12V)	VA	50	A13N259	1-2883-00VA	13059
AQ260A,B	8cyl Gas	85-78	w/60A Paris Rhone (12V)	VA	60	A13N234	1-2884-00VA	12411
			w/50A Paris Rhone (12V)	VA	50	A13N1M	1-1938-01PR-2	13068
AQ271,A,B,C	8cyl Gas	89-86	w/60A Paris Rhone (12V)	VA	60	A13N234	1-2884-00VA	12411
			w/50A Paris Rhone (12V)	VA	50	A13N259	1-2883-00VA	13059
			w/50A Paris Rhone (12V)	VA	50	A13N147M	1-1938-01PR-2	13068
AQ280		All	w/60A Paris Rhone (12V)	VA	60	A13N234	1-2884-00VA	12411
AQ280A	8cyl Gas	79-78	w/60A Paris Rhone (12V)	VA	60	A13N234	1-2884-00VA	12411
AQ290		All	w/60A Paris Rhone (12V)	VA	60	A13N234	1-2884-00VA	12411
			w/50A Paris Rhone (12V)	VA	50	A13N259	1-2883-00VA	13059
			w/50A Paris Rhone (12V)	VA	50	A13N1M	1-1938-01PR-2	13068
AQ290A	8cyl Gas	85-79	w/60A Paris Rhone (12V)	VA	60	A13N234	1-2884-00VA	12411
			w/50A Paris Rhone (12V)	VA	50	A13N1M	1-1938-01PR-2	13068
AQ311		All	w/50A Paris Rhone (12V)	VA	50	A13N259	1-2883-00VA	13059
AQ311A,B	8cyl Gas	89-86	w/60A Paris Rhone (12V)	VA	60	A13N234	1-2884-00VA	12411

◆ See Buyer's Guide for Optional Units

# ALTERNATORS

Model	Engine	Year	Option	Mfg	Amp	OEM #	PART NO.	REF.
<b>VOLVO PENTA - continued</b>								
<b>Inboard &amp; Sterndrive - continued</b>								
AQAD30A	4cyl Diesel	86-83	w/60A Paris Rhone (12V)	VA	60	A13N234	1-2884-00VA	12411
			w/50A Paris Rhone (12V)	VA	50	A13N259	1-2883-00VA	13059
AQAD31A	4cyl Diesel	89-86	w/60A Paris Rhone (12V)	VA	60	A13N234	1-2884-00VA	12411
			w/50A Paris Rhone (12V)	VA	50	A13N259	1-2883-00VA	13059
AQAD40A,B	6cyl, 219ci, 3.6L Diesel	86-80	w/60A Paris Rhone (12V)	VA	60	A13N234	1-2884-00VA	12411
			w/50A Paris Rhone (12V)	VA	50	A13N259	1-2883-00VA	13059
			w/50A Paris Rhone (12V)	VA	50	A13N1M	1-1938-01PR-2	13068
AQAD41	6cyl, 219ci, 3.6L Diesel	All	w/50A Paris Rhone (12V)	VA	50	A13N259	1-2883-00VA	13059
AQAD41A,B,D	6cyl, 219ci, 3.6L Diesel	94-86	w/60A Paris Rhone (12V)	VA	60	A13N234	1-2884-00VA	12411
			w/50A Paris Rhone (12V)	VA	50	A13N259	1-2883-00VA	13059
			w/50A Paris Rhone (12V)	VA	50	A13N1M	1-1938-01PR-2	13068
AQD2B	2cyl Diesel	75-72	w/60A Paris Rhone (12V)	VA	60	A13N234	1-2884-00VA	12411
AQD19	4cyl Diesel	68-64	w/30A Paris Rhone (24V)	VA	30	A13N143M	1-2882-00VA	12415
AQD21A	4cyl Diesel	81-68	w/60A Paris Rhone (12V)	VA	60	A13N234	1-2884-00VA	12411
AQD21B	4cyl Diesel	81-68	w/60A Paris Rhone (12V)	VA	60	A13N234	1-2884-00VA	12411
AQD27	6cyl Diesel	67-63	w/60A Paris Rhone (12V)	VA	60	A13N234	1-2884-00VA	12411
			w/30A Paris Rhone (24V)	VA	30	A13N143M	1-2882-00VA	12415
AQD29,A	6cyl Diesel	70-67	w/60A Paris Rhone (12V)	VA	60	A13N234	1-2884-00VA	12411
			w/30A Paris Rhone (24V)	VA	30	A13N143M	1-2882-00VA	12415
AQD32A	6cyl Diesel	77-69	w/60A Paris Rhone (12V)	VA	60	A13N234	1-2884-00VA	12411
			w/50A Paris Rhone (12V)	VA	50	A13N1M	1-1938-01PR-2	13068
			w/30A Paris Rhone (24V)	VA	30	A13N143M	1-2882-00VA	12415
AQD40A,B	6cyl Diesel	86-77	w/60A Paris Rhone (12V)	VA	60	A13N234	1-2884-00VA	12411
			w/50A Paris Rhone (12V)	VA	50	A13N259	1-2883-00VA	13059
AQD41	6cyl Diesel	All	w/50A Paris Rhone (12V)	VA	50	A13N259	1-2883-00VA	13059
AQD41A	6cyl Diesel	89-86	w/60A Paris Rhone (12V)	VA	60	A13N234	1-2884-00VA	12411
			w/50A Paris Rhone (12V)	VA	50	A13N259	1-2883-00VA	13059
AQD70B	6cyl Diesel	82-71	w/55A Paris Rhone (24V)	IK	55	A14N47M	1-2525-01VA	12110
			w/30A Paris Rhone (24V)	VA	30	A13N143M	1-2882-00VA	12415
			w/35A Motorola (12V)	VA	35	9AR2775F	1-2881-00VA	12407
AQD70BL	6cyl Diesel	82-71	w/55A Paris Rhone (24V)	IK	55	A14N47M	1-2525-01VA	12110
			w/30A Paris Rhone (24V)	VA	30	A13N143M	1-2882-00VA	12415
			w/35A Motorola (12V)	VA	35	9AR2775F	1-2881-00VA	12407
AQD70C	6cyl Diesel	82-71	w/55A Paris Rhone (24V)	IK	55	A14N47M	1-2525-01VA	12110
			w/30A Paris Rhone (24V)	VA	30	A13N143M	1-2882-00VA	12415
AQD70CL	6cyl Diesel	82-71	w/55A Paris Rhone (24V)	IK	55	A14N47M	1-2525-01VA	12110
AQD70D	6cyl Diesel	82-71	w/55A Paris Rhone (24V)	IK	55	A14N47M	1-2525-01VA	12110
			w/30A Paris Rhone (24V)	VA	30	A13N143M	1-2882-00VA	12415
AS130C		All	w/35A Motorola (12V)	VA	35	9AR2775F	1-2881-00VA	12407
AS270TD		All	w/35A Motorola (12V)	VA	35	9AR2775F	1-2881-00VA	12407
B18M		All	w/35A Motorola (12V)	VA	35	9AR2775F	1-2881-00VA	12407
B21		All	w/50A Paris Rhone (12V)	VA	50	A13N2M	1-1938-01PR-2	13068
B23		All	w/50A Paris Rhone (12V)	VA	50	A13N2M	1-1938-01PR-2	13068
BB115A,B,C	4cyl Gas	77-69	w/60A Paris Rhone (12V)	VA	60	A13N234	1-2884-00VA	12411
			w/35A Motorola (12V)	VA	35	9AR2775F	1-2881-00VA	12407
BB145	4cyl Gas	All	w/60A Paris Rhone (24V)	VA	60	A13N234	1-2884-00VA	12411
BB145A	4cyl Gas	85-79	w/60A Paris Rhone (12V)	VA	60	A13N234	1-2884-00VA	12411
BB165A	6cyl Gas	69-65	w/60A Paris Rhone (12V)	VA	60	A13N234	1-2884-00VA	12411
BB170	6cyl Gas	78-69	w/50A Paris Rhone (12V)	VA	50	A13N259	1-2883-00VA	13059
BB170B	6cyl Gas	78-69	w/60A Paris Rhone (12V)	VA	60	A13N234	1-2884-00VA	12411
BB170C	6cyl Gas	78-69	w/60A Paris Rhone (12V)	VA	60	A13N234	1-2884-00VA	12411
BB225,A,B,C	8cyl Gas	77-73	w/60A Paris Rhone (12V)	VA	60	A13N234	1-2884-00VA	12411
			w/50A Paris Rhone (12V)	VA	50	A13N259	1-2883-00VA	13059
BB231A	8cyl Gas	87	w/60A Paris Rhone (12V)	VA	60	A13N234	1-2884-00VA	12411
			w/50A Paris Rhone (12V)	VA	50	A13N259	1-2883-00VA	13059
BB260A,B,C	8cyl Gas	87-78	w/60A Paris Rhone (12V)	VA	60	A13N234	1-2884-00VA	12411
			w/50A Paris Rhone (12V)	VA	50	A13N259	1-2883-00VA	13059
BB261,A	8cyl Gas	89-88	w/60A Paris Rhone (12V)	VA	60	A13N234	1-2884-00VA	12411
			w/50A Paris Rhone (12V)	VA	50	A13N259	1-2883-00VA	13059

♦ See Buyer's Guide for Optional Units

Model	Engine	Year	Option	Mfg	Amp	OEM #	PART NO.	REF.
<b>VOLVO PENTA - continued</b>								
<b>Inboard &amp; Sterndrive - continued</b>								
D1-20A,B	3cyl, 46.5ci, 0.76L Diesel	07-05	w/60A Paris Rhone (12V)	VA	60	A13N234	1-2884-00VA	12411
D1-30A,B	3cyl, 69ci, 1.1L Diesel	07-05	w/60A Paris Rhone (12V)	VA	60	A13N234	1-2884-00VA	12411
D2-40A,B,C	4cyl, 92ci, 1.5L Diesel	07-05	w/60A Paris Rhone (12V)	VA	60	A13N234	1-2884-00VA	12411
D2-55A,B,C	4cyl, 134.2ci, 2.2L Diesel	07-01	w/60A Paris Rhone (12V)	VA	60	A13N234	1-2884-00VA	12411
D2-75A	4cyl, 134.2ci, 2.2L Diesel	07-03	w/60A Paris Rhone (12V)	VA	60	A13N234	1-2884-00VA	12411
D12-650	6cyl, 740ci, 12.1L Diesel	07-06	w/60A Paris Rhone (24V)	IK	55	A14N112M	1-2525-01VA	12110
D12-715	6cyl, 740ci, 12.1L Diesel	04-02	w/60A Paris Rhone (24V)	IK	55	A14N112M	1-2525-01VA	12110
D12-MH	6cyl, 740ci, 12.1L Diesel	07-05	w/60A Paris Rhone (24V)	IK	55	A14N112M	1-2525-01VA	12110
D12C	6cyl, 740ci, 12.1L Diesel	04-99	w/60A Paris Rhone (24V)	IK	55	A14N112M	1-2525-01VA	12110
D41A,B,D,L	6cyl, 219ci, 3.6L Diesel	99-88	w/60A Paris Rhone (12V)	VA	60	A13N234	1-2884-00VA	12411
DPX375	8cyl, 496ci, 8.1L Gas	02-00	w/65A Valeo (12V)	MD	65	3860798	1-2460-01VA	12392
DPX385	8cyl, 454ci, 7.4L Gas	00	w/65A Mando (12V)	MD	65	AC165622	1-2464-01MD	12391
		99-96	w/65A Mando (12V)	MD	65	AC165618	1-2307-31MD	12177
DPX415	8cyl, 502ci, 8.2L Gas	00	w/65A Mando (12V)	MD	65	AC165622	1-2464-01MD	12391
		99-96	w/65A Mando (12V)	MD	65	AC165618	1-2307-31MD	12177
DPX420	8cyl, 496ci, 8.1L Gas	02-00	w/65A Valeo (12V)	MD	65	3860798	1-2460-01VA	12392
DPX500	8cyl, 502ci, 8.2L Gas	02-00	w/65A Mando (12V)	MD	65	AC165622	1-2464-01MD	12391
		99	w/65A Mando (12V)	MD	65	AC165618	1-2307-31MD	12177
DPX525	8cyl, 502ci, 8.2L Gas	02-00	w/65A Mando (12V)	MD	65	AC165622	1-2464-01MD	12391
		99	w/65A Mando (12V)	MD	65	AC165618	1-2307-31MD	12177
DPX600	8cyl, 540ci, 8.8L Gas	02-00	w/65A Mando (12V)	MD	65	AC165622	1-2464-01MD	12391
		99	w/65A Mando (12V)	MD	65	AC165618	1-2307-31MD	12177
KAD32P	4cyl, 146ci, 2.4L Diesel	05-96	w/60A Paris Rhone (24V)	IK	55	A14N112M	1-2525-01VA	12110
			w/60A Paris Rhone (12V)	VA	60	A13N234	1-2884-00VA	12411
KAD42A,B,P	6cyl, 219ci, 3.6L Diesel	01-91	w/60A Paris Rhone (12V)	VA	60	A13N234	1-2884-00VA	12411
			w/50A Paris Rhone (12V)	VA	50	A13N259	1-2883-00VA	13059
KAD43P	6cyl, 219ci, 3.6L Diesel	05-97	w/60A Paris Rhone (12V)	VA	60	A13N234	1-2884-00VA	12411
KAD44P	6cyl, 219ci, 3.6L Diesel	04-97	w/60A Paris Rhone (12V)	VA	60	A13N234	1-2884-00VA	12411
KAD300	6cyl, 219ci, 3.6L Diesel	05-01	w/60A Paris Rhone (12V)	VA	60	A13N234	1-2884-00VA	12411
KAMD42A,B,P	6cyl, 219ci, 3.6L Diesel	97-91	w/60A Paris Rhone (12V)	VA	60	A13N234	1-2884-00VA	12411
			w/50A Paris Rhone (12V)	VA	50	A13N259	1-2883-00VA	13059
KAMD43P	6cyl, 219ci, 3.6L Diesel	05-97	w/60A Paris Rhone (12V)	VA	60	A13N234	1-2884-00VA	12411
KAMD44P	6cyl, 219ci, 3.6L Diesel	04-99	w/60A Paris Rhone (12V)	VA	60	A13N234	1-2884-00VA	12411
KAMD300	6cyl, 219ci, 3.6L Diesel	04-01	w/60A Paris Rhone (12V)	VA	60	A13N234	1-2884-00VA	12411
MB20	4cyl Gas	All	w/60A Paris Rhone (12V)	VA	60	A13N234	1-2884-00VA	12411
MB20A	4cyl Gas	71-69	w/60A Paris Rhone (12V)	VA	60	A13N234	1-2884-00VA	12411
MB70B		All	w/30A Paris Rhone (24V)	VA	30	A13N143M	1-2882-00VA	12415
MD2		All	w/60A Paris Rhone (12V)	VA	60	A13N234	1-2884-00VA	12411
MD2B	2cyl Diesel	75-64	w/60A Paris Rhone (12V)	VA	60	A13N234	1-2884-00VA	12411
			w/50A Paris Rhone (12V)	VA	50	A13N1M	1-1938-01PR-2	13068
MD2BHY	2cyl Diesel	75-64	w/50A Paris Rhone (12V)	VA	50	A13N1M	1-1938-01PR-2	13068
MD3	3cyl Diesel	All	w/60A Paris Rhone (12V)	VA	60	A13N234	1-2884-00VA	12411
MD3A	3cyl Diesel	All	w/35A Motorola (12V)	VA	35	9AR2775F	1-2881-00VA	12407
MD3B	3cyl Diesel	75-71	w/60A Paris Rhone (12V)	VA	60	A13N234	1-2884-00VA	12411
			w/50A Paris Rhone (12V)	VA	50	A13N1M	1-1938-01PR-2	13068
			w/35A Motorola (12V)	VA	35	9AR2775F	1-2881-00VA	12407
MD5	1cyl Diesel	All	w/50A Paris Rhone (12V)	VA	50	A13N147M	1-1938-01PR-2	13068
			w/50A Paris Rhone (12V)	VA	50	A13N2M	1-1938-01PR-2	13068
			w/35A Motorola (12V)	VA	35	9AR2775F	1-2881-00VA	12407
MD5A,B,C	1cyl Diesel	82-75	w/50A Paris Rhone (12V)	VA	50	A13N1M	1-1938-01PR-2	13068
			w/35A Motorola (12V)	VA	35	9AR2775F	1-2881-00VA	12407
MD6	2cyl Diesel	All	w/60A Paris Rhone (12V)	VA	60	A13N234	1-2884-00VA	12411
MD6A	2cyl Diesel	76-71	w/60A Paris Rhone (12V)	VA	60	A13N234	1-2884-00VA	12411
			w/35A Motorola (12V)	VA	35	9AR2775F	1-2881-00VA	12407
MD6B	2cyl Diesel	76-71	w/60A Paris Rhone (12V)	VA	60	A13N234	1-2884-00VA	12411
MD7	2cyl Diesel	All	w/60A Paris Rhone (12V)	VA	60	A13N234	1-2884-00VA	12411
			w/50A Paris Rhone (12V)	VA	50	A13N147M	1-1938-01PR-2	13068
			w/50A Paris Rhone (12V)	VA	50	A13N2M	1-1938-01PR-2	13068
			w/35A Motorola (12V)	VA	35	9AR2775F	1-2881-00VA	12407

◆ See Buyer's Guide for Optional Units

# ALTERNATORS

Model	Engine	Year	Option	Mfg	Amp	OEM #	PART NO.	REF.
<b>VOLVO PENTA - continued</b>								
<b>Inboard &amp; Sterndrive - continued</b>								
MD7A	2cyl Diesel	83-76	w/60A Paris Rhone (12V)	VA	60	A13N234	1-2884-00VA	12411
			w/50A Paris Rhone (12V)	VA	50	A13N1M	1-1938-01PR-2	13068
			w/35A Motorola (12V)	VA	35	9AR2775F	1-2881-00VA	12407
MD7B	2cyl Diesel	83-76	w/60A Paris Rhone (12V)	VA	60	A13N234	1-2884-00VA	12411
			w/50A Paris Rhone (12V)	VA	50	A13N259	1-2883-00VA	13059
MD11		All	w/60A Paris Rhone (12V)	VA	60	A13N234	1-2884-00VA	12411
			w/50A Paris Rhone (12V)	VA	50	A13N2M	1-1938-01PR-2	13068
MD11C	2cyl Diesel	81-75	w/60A Paris Rhone (12V)	VA	60	A13N234	1-2884-00VA	12411
			w/50A Paris Rhone (12V)	VA	50	A13N1M	1-1938-01PR-2	13068
MD11D	2cyl Diesel	83-75	w/60A Paris Rhone (12V)	VA	60	A13N234	1-2884-00VA	12411
MD17	3cyl Diesel	81-75	w/50A Paris Rhone (12V)	VA	50	A13N2M	1-1938-01PR-2	13068
MD17C	3cyl Diesel	84-75	w/60A Paris Rhone (12V)	VA	60	A13N234	1-2884-00VA	12411
			w/50A Paris Rhone (12V)	VA	50	A13N1M	1-1938-01PR-2	13068
MD17D	3cyl Diesel	84-75	w/60A Paris Rhone (12V)	VA	60	A13N234	1-2884-00VA	12411
			w/50A Paris Rhone (12V)	VA	50	A13N147M	1-1938-01PR-2	13068
			w/50A Paris Rhone (12V)	VA	50	A13N1M	1-1938-01PR-2	13068
MD18		All	w/50A Paris Rhone (12V)	VA	50	A13N147M	1-1938-01PR-2	13068
MD19	4cyl Diesel	68-64	w/30A Paris Rhone (24V)	VA	30	A13N143M	1-2882-00VA	12415
MD21	4cyl Diesel	79-68	w/50A Paris Rhone (12V)	VA	50	A13N147M	1-1938-01PR-2	13068
			w/50A Paris Rhone (12V)	VA	50	A13N1M	1-1938-01PR-2	13068
MD21A	4cyl Diesel	79-68	w/60A Paris Rhone (12V)	VA	60	A13N234	1-2884-00VA	12411
			w/50A Paris Rhone (12V)	VA	50	A13N1M	1-1938-01PR-2	13068
MD21B	4cyl Diesel	81-68	w/60A Paris Rhone (12V)	VA	60	A13N234	1-2884-00VA	12411
MD22,A,L,P	4cyl, 122ci, 2.0L Diesel	02-88	w/60A Paris Rhone (12V)	VA	60	A13N234	1-2884-00VA	12411
MD27	6cyl Diesel	All	w/30A Paris Rhone (24V)	VA	30	A13N143M	1-2882-00VA	12415
			w/60A Paris Rhone (12V)	VA	60	A13N234	1-2884-00VA	12411
MD29,A	6cyl Diesel	All	w/60A Paris Rhone (12V)	VA	60	A13N234	1-2884-00VA	12411
			w/30A Paris Rhone (24V)	VA	30	A13N143M	1-2882-00VA	12415
MD30	4cyl Diesel	86-83	w/50A Paris Rhone (12V)	VA	50	A13N147M	1-1938-01PR-2	13068
			w/50A Paris Rhone (12V)	VA	50	A13N1M	1-1938-01PR-2	13068
MD30A	4cyl Diesel	86-83	w/60A Paris Rhone (12V)	VA	60	A13N234	1-2884-00VA	12411
			w/50A Paris Rhone (12V)	VA	50	A13N259	1-2883-00VA	13059
MD31A	4cyl Diesel	94-86	w/60A Paris Rhone (12V)	VA	60	A13N234	1-2884-00VA	12411
			w/50A Paris Rhone (12V)	VA	50	A13N259	1-2883-00VA	13059
MD32A	6cyl Diesel	77-69	w/30A Paris Rhone (24V)	VA	30	A13N143M	1-2882-00VA	12415
			w/60A Paris Rhone (12V)	VA	60	A13N234	1-2884-00VA	12411
			w/50A Paris Rhone (12V)	VA	50	A13N1M	1-1938-01PR-2	13068
MD40A	6cyl Diesel	85-76	w/60A Paris Rhone (12V)	VA	60	A13N234	1-2884-00VA	12411
			w/50A Paris Rhone (12V)	VA	50	A13N259	1-2883-00VA	13059
MD42A	4cyl Diesel	79-70	w/30A Paris Rhone (24V)	VA	30	A13N143M	1-2882-00VA	12415
MD42B	4cyl Diesel	All	w/30A Paris Rhone (24V)	VA	30	A13N143M	1-2882-00VA	12415
MD50	6cyl Diesel	All	w/30A Paris Rhone (24V)	VA	30	A13N143M	1-2882-00VA	12415
MD50A	6cyl Diesel	71-65	w/30A Paris Rhone (24V)	VA	30	A13N143M	1-2882-00VA	12415
MD70	6cyl, 410ci, 6.7L Diesel	All	w/30A Paris Rhone (24V)	VA	30	A13N143M	1-2882-00VA	12415
MD70A	6cyl, 410ci, 6.7L Diesel	85-65	w/30A Paris Rhone (24V)	VA	30	A13N143M	1-2882-00VA	12415
MD70B,C	6cyl, 410ci, 6.7L Diesel	85-65	w/60A Paris Rhone (24V)	IK	55	A14N112M	1-2525-01VA	12110
			w/30A Paris Rhone (24V)	VA	30	A13N143M	1-2882-00VA	12415
MD100	6cyl Diesel	All	w/55A Paris Rhone (24V)	IK	55	A14N47M	1-2525-01VA	12110
			w/55A Paris Rhone (24V)	IK	55	A14N118M	1-2525-01VA	12110
			w/30A Paris Rhone (24V)	VA	30	A13N143M	1-2882-00VA	12415
MD100A,B	6cyl Diesel	84-65	w/60A Paris Rhone (24V)	IK	55	A14N112M	1-2525-01VA	12110
			w/30A Paris Rhone (24V)	VA	30	A13N143M	1-2882-00VA	12415
MD100S	6cyl Diesel	All	w/35A Motorola (12V)	VA	35	9AR2775F	1-2881-00VA	12407
MD110S		All	w/35A Motorola (12V)	VA	35	9AR2775F	1-2881-00VA	12407
MD120	6cyl Diesel	All	w/55A Paris Rhone (24V)	IK	55	A14N47M	1-2525-01VA	12110
			w/55A Paris Rhone (24V)	IK	55	A14N118M	1-2525-01VA	12110
			w/30A Paris Rhone (24V)	VA	30	A13N143M	1-2882-00VA	12415
MD120A	6cyl Diesel	80-70	w/60A Paris Rhone (24V)	IK	55	A14N112M	1-2525-01VA	12110
			w/30A Paris Rhone (24V)	VA	30	A13N143M	1-2882-00VA	12415

♦ See Buyer's Guide for Optional Units

Model	Engine	Year	Option	Mfg Amp	OEM #	PART NO.	REF.
<b>VOLVO PENTA - continued</b>							
<b>Inboard &amp; Sterndrive - continued</b>							
MD2010,A,B,C,D	2cyl, 27.5ci, 0.45L	05-94	w/60A Paris Rhone (12V)	VA 60	A13N234	1-2884-00VA	12411
MD2020,A,B,C,D	3cyl, 41.3ci, 0.68L	02-94	w/60A Paris Rhone (12V)	VA 60	A13N234	1-2884-00VA	12411
MD2030,A,B,C,D	3cyl, 58.2ci, 0.95L	02-94	w/60A Paris Rhone (12V)	VA 60	A13N234	1-2884-00VA	12411
MD2040,A,B,C,D	3cyl, 91.3ci, 1.5L	02-94	w/60A Paris Rhone (12V)	VA 60	A13N234	1-2884-00VA	12411
TAMD22P	4cyl, 122ci, 2.0L Diesel	03-95	w/60A Paris Rhone (12V)	VA 60	A13N234	1-2884-00VA	12411
TAMD30,A,B,C	4cyl Diesel	86-83	w/60A Paris Rhone (12V)	VA 60	A13N234	1-2884-00VA	12411
			w/50A Paris Rhone (12V)	VA 50	A13N1M	1-1938-01PR-2	13068
TAMD31A,B,D,L,M,P,S,X	4cyl, 146ci, 2.4L Diesel	04-85	w/60A Paris Rhone (24V)	IK 55	A14N112M	1-2525-01VA	12110
			w/60A Paris Rhone (12V)	VA 60	A13N234	1-2884-00VA	12411
			w/50A Paris Rhone (12V)	VA 50	A13N259	1-2883-00VA	13059
TAMD40A,B,C	6cyl Diesel	86-79	w/60A Paris Rhone (12V)	VA 60	A13N234	1-2884-00VA	12411
			w/50A Paris Rhone (12V)	VA 50	A13N259	1-2883-00VA	13059
TAMD41A	6cyl, 219ci, 3.6L Diesel	89-86	w/60A Paris Rhone (12V)	VA 60	A13N234	1-2884-00VA	12411
			w/50A Paris Rhone (12V)	VA 50	A13N1M	1-1938-01PR-2	13068
TAMD41B,D,H,L,M,P	6cyl, 219ci, 3.6L Diesel	05-86	w/60A Paris Rhone (12V)	VA 60	A13N234	1-2884-00VA	12411
TAMD42A,B,WJ	6cyl, 219ci, 3.6L Diesel	03-92	w/60A Paris Rhone (12V)	VA 60	A13N234	1-2884-00VA	12411
TAMD60,A,B,C	6cyl Diesel	87-76	w/60A Paris Rhone (24V)	IK 55	A14N112M	1-2525-01VA	12110
TAMD61,A	6cyl Diesel	95-86	w/60A Paris Rhone (24V)	IK 55	A14N112M	1-2525-01VA	12110
TAMD62A	6cyl Diesel	94-92	w/60A Paris Rhone (24V)	IK 55	A14N112M	1-2525-01VA	12110
TAMD63L,P	6cyl, 333ci, 5.5L Diesel	05-94	w/60A Paris Rhone (12V)	VA 60	A13N234	1-2884-00VA	12411
TAMD70	6cyl Diesel	All	w/55A Paris Rhone (24V)	IK 55	A14N47M	1-2525-01VA	12110
			w/55A Paris Rhone (24V)	IK 55	A14N118M	1-2525-01VA	12110
			w/30A Paris Rhone (24V)	VA 30	A13N143M	1-2882-00VA	12415
			w/50A Paris Rhone (12V)	VA 50	A13N259	1-2883-00VA	13059
TAMD70B,C,D	6cyl Diesel	83-70	w/60A Paris Rhone (24V)	IK 55	A14N112M	1-2525-01VA	12110
			w/30A Paris Rhone (24V)	VA 30	A13N143M	1-2882-00VA	12415
TAMD70E	6cyl Diesel	87-83	w/60A Paris Rhone (24V)	IK 55	A14N112M	1-2525-01VA	12110
			w/50A Paris Rhone (12V)	VA 50	A13N1M	1-1938-01PR-2	13068
TAMD71,A,B	6cyl, 410ci, 6.7L Diesel	00-86	w/60A Paris Rhone (24V)	IK 55	A14N112M	1-2525-01VA	12110
			w/60A Paris Rhone (12V)	VA 60	A13N234	1-2884-00VA	12411
TAMD72,A,P,WJ	6cyl, 410ci, 6.7L Diesel	97-91	w/60A Paris Rhone (24V)	IK 55	A14N112M	1-2525-01VA	12110
			w/60A Paris Rhone (12V)	VA 60	A13N234	1-2884-00VA	12411
TAMD73P,WJ	6cyl, 411ci, 6.7L Diesel	99-97	w/60A Paris Rhone (24V)	IK 55	A14N112M	1-2525-01VA	12110
			w/60A Paris Rhone (12V)	VA 60	A13N234	1-2884-00VA	12411
TAMD74A,C,L,P	6cyl, 444ci, 7.3L Diesel	05-98	w/60A Paris Rhone (24V)	IK 55	A14N112M	1-2525-01VA	12110
			w/60A Paris Rhone (12V)	VA 60	A13N234	1-2884-00VA	12411
TAMD75P	6cyl, 444ci, 7.3L Diesel	05-98	w/60A Paris Rhone (24V)	IK 55	A14N112M	1-2525-01VA	12110
			w/60A Paris Rhone (12V)	VA 60	A13N234	1-2884-00VA	12411
TAMD102A,D	6cyl, 585ci, 9.6L Diesel	00-91	w/60A Paris Rhone (24V)	IK 55	A14N112M	1-2525-01VA	12110
TAMD103A	6cyl, 585ci, 9.6L Diesel	04-00	w/60A Paris Rhone (24V)	IK 55	A14N112M	1-2525-01VA	12110
TAMD120	6cyl Diesel	All	w/55A Paris Rhone (24V)	IK 55	A14N47M	1-2525-01VA	12110
			w/55A Paris Rhone (24V)	IK 55	A14N118M	1-2525-01VA	12110
			w/45A Motorola (24V)	VA 45	9AR3711G	1-2880-01VA	12409
			w/45A Motorola (24V)	VA 45	9AR3743G	1-2880-01VA	12409
			w/30A Paris Rhone (24V)	VA 30	A13N143M	1-2882-00VA	12415
TAMD120A,B	6cyl Diesel	83-72	w/60A Paris Rhone (24V)	IK 55	A14N112M	1-2525-01VA	12110
			w/45A Motorola (24V)	VA 45	9AR3649G	1-2880-01VA	12409
			w/30A Paris Rhone (24V)	VA 30	A13N143M	1-2882-00VA	12415
TAMD121,C,D	6cyl Diesel	88-83	w/60A Paris Rhone (24V)	IK 55	A14N112M	1-2525-01VA	12110
			w/55A Paris Rhone (24V)	IK 55	A14N47M	1-2525-01VA	12110
			w/55A Paris Rhone (24V)	IK 55	A14N118M	1-2525-01VA	12110
TAMD122,A,C,D,P	6cyl, 732ci, 12.0L Diesel	02-88	w/60A Paris Rhone (24V)	IK 55	A14N112M	1-2525-01VA	12110
TAMD162,A,B,C	6cyl, 984ci, 16.1L Diesel	01-88	w/60A Paris Rhone (24V)	IK 55	A14N112M	1-2525-01VA	12110
TAMD163,A,P	6cyl, 984ci, 16.1L Diesel	01-94	w/60A Paris Rhone (24V)	IK 55	A14N112M	1-2525-01VA	12110
			w/55A Paris Rhone (24V)	IK 55	A14N47M	1-2525-01VA	12110
			w/55A Paris Rhone (24V)	IK 55	A14N118M	1-2525-01VA	12110
TAMD165A,C,P	6cyl, 984ci, 16.1L Diesel	05-02	w/60A Paris Rhone (24V)	IK 55	A14N112M	1-2525-01VA	12110
THAMD70,B,C	6cyl Diesel	79-72	w/60A Paris Rhone (24V)	IK 55	A14N112M	1-2525-01VA	12110
			w/30A Paris Rhone (24V)	VA 30	A13N143M	1-2882-00VA	12415

◆ See Buyer's Guide for Optional Units

# ALTERNATORS

Model	Engine	Year	Option	Mfg	Amp	OEM #	PART NO.	REF.
<b>VOLVO PENTA - continued</b>								
<b>Inboard &amp; Sterndrive - continued</b>								
TMD22,A,P	4cyl, 122ci, 2.0L Diesel	02-93	w/60A Paris Rhone (12V)	VA	60	A13N234	1-2884-00VA	12411
TMD30A,B	4cyl Diesel	86-83	w/60A Paris Rhone (12V)	VA	60	A13N234	1-2884-00VA	12411
			w/50A Paris Rhone (12V)	VA	50	A13N147M	1-1938-01PR-2	13068
			w/50A Paris Rhone (12V)	VA	50	A13N1M	1-1938-01PR-2	13068
			w/50A Paris Rhone (12V)	VA	50	A13N259	1-2883-00VA	13059
TMD31A,B,D,L	4cyl, 146ci, 2.4L Diesel	97-86	w/60A Paris Rhone (12V)	VA	60	A13N234	1-2884-00VA	12411
			w/50A Paris Rhone (12V)	VA	50	A13N259	1-2883-00VA	13059
TMD40	6cyl Diesel	All	w/50A Paris Rhone (12V)	VA	50	A13N147M	1-1938-01PR-2	13068
			w/50A Paris Rhone (12V)	VA	50	A13N1M	1-1938-01PR-2	13068
TMD40A,B,C	6cyl Diesel	86-76	w/60A Paris Rhone (12V)	VA	60	A13N234	1-2884-00VA	12411
			w/50A Paris Rhone (12V)	VA	50	A13N259	1-2883-00VA	13059
TMD41A,B,D,L	6cyl, 219ci, 3.6L	97-86	w/60A Paris Rhone (12V)	VA	60	A13N234	1-2884-00VA	12411
			w/50A Paris Rhone (12V)	VA	50	A13N259	1-2883-00VA	13059
TMD50	6cyl Diesel	All	w/35A Motorola (12V)	VA	35	9AR2775F	1-2881-00VA	12407
TMD50A	6cyl Diesel	71-65	w/30A Paris Rhone (24V)	VA	30	A13N143M	1-2882-00VA	12415
			w/35A Motorola (12V)	VA	35	9AR2775F	1-2881-00VA	12407
TMD70A	6cyl, 410ci, 6.7L Diesel	85-65	w/30A Paris Rhone (24V)	VA	30	A13N143M	1-2882-00VA	12415
TMD70B,C	6cyl, 410ci, 6.7L Diesel	85-72	w/60A Paris Rhone (24V)	IK	55	A14N112M	1-2525-01VA	12110
			w/30A Paris Rhone (24V)	VA	30	A13N143M	1-2882-00VA	12415
			w/35A Motorola (12V)	VA	35	9AR2775F	1-2881-00VA	12407
TMD100	6cyl Diesel	All	w/45A Motorola (24V)	VA	45	9AR3711G	1-2880-01VA	12409
			w/45A Motorola (24V)	VA	45	9AR3743G	1-2880-01VA	12409
TMD100A	6cyl Diesel	All	w/55A Paris Rhone (24V)	IK	55	A14N47M	1-2525-01VA	12110
			w/55A Paris Rhone (24V)	IK	55	A14N118M	1-2525-01VA	12110
			w/30A Paris Rhone (24V)	VA	30	A13N143M	1-2882-00VA	12415
TMD100B,C	6cyl Diesel	88-65	w/60A Paris Rhone (24V)	IK	55	A14N112M	1-2525-01VA	12110
		85-65	w/45A Motorola (24V)	VA	45	9AR3649G	1-2880-01VA	12409
			w/30A Paris Rhone (24V)	VA	30	A13N143M	1-2882-00VA	12415
TMD102A	6cyl, 585ci, 9.6L Diesel	00-88	w/60A Paris Rhone (24V)	IK	55	A14N112M	1-2525-01VA	12110
TMD120	6cyl Diesel	All	w/45A Motorola (24V)	VA	45	9AR3711G	1-2880-01VA	12409
			w/45A Motorola (24V)	VA	45	9AR3743G	1-2880-01VA	12409
TMD120A,B	6cyl Diesel	84-70	w/60A Paris Rhone (24V)	IK	55	A14N112M	1-2525-01VA	12110
			w/45A Motorola (24V)	VA	45	9AR3649G	1-2880-01VA	12409
			w/30A Paris Rhone (24V)	VA	30	A13N143M	1-2882-00VA	12415
TMD121C	6cyl Diesel	88-83	w/60A Paris Rhone (24V)	IK	55	A14N112M	1-2525-01VA	12110
TMD122A	6cyl, 732ci, 12.0L Diesel	00-88	w/60A Paris Rhone (24V)	IK	55	A14N112M	1-2525-01VA	12110
			w/55A Paris Rhone (24V)	IK	55	A14N47M	1-2525-01VA	12110
			w/55A Paris Rhone (24V)	IK	55	A14N118M	1-2525-01VA	12110

## YANMAR

### Engines - Industrial

1GM	All	84-82	Hitachi System	HI	35	LR135-105	1-2820-01HI-2	12109
2GM	All	84-82	Hitachi System	HI	35	LR135-105	1-2820-01HI-2	12109
3GM	All	84-82	Hitachi System	HI	35	LR135-105	1-2820-01HI-2	12109
3HM	All	84-82	Hitachi System	HI	35	LR135-105	1-2820-01HI-2	12109

### Engines - Marine

1GM	1cyl, 19.41ci, 0.318L Diesel	84-80	w/2 Pin Regulator Hookup	HI	35	LR135-105	1-2820-01HI-2	12109
1GML	1cyl, 19.41ci, 0.318L Diesel	82-On	w/Hitachi 35A (To S/N 3690)	HI	35	LR135-105	1-2820-01HI-2	12109
1GMY	1cyl, 19.41ci, 0.318L Diesel	82-On	w/Hitachi 35A (To S/N 3690)	HI	35	LR135-105	1-2820-01HI-2	12109
1GM10	1cyl, 19.41ci, 0.318L Diesel	82-On	w/Hitachi 35A (To S/N 3690)	HI	35	LR135-105	1-2820-01HI-2	12109
1GM10C	1cyl, 19.41ci, 0.318L Diesel	84-82	w/Hitachi 35A Alternator	HI	35	LR135-105	1-2820-01HI-2	12109
1GM10L	1cyl, 19.41ci, 0.318L Diesel	82-On	w/Hitachi 35A (To S/N 3690)	HI	35	LR135-105	1-2820-01HI-2	12109
2GM	2cyl Diesel	84-80	w/2 Pin Regulator Hookup	HI	35	LR135-105	1-2820-01HI-2	12109
2GMF	2cyl Diesel	84-80	w/2 Pin Regulator Hookup	HI	35	LR135-105	1-2820-01HI-2	12109
2GMFL	2cyl Diesel	All	w/Hitachi 35A Alternator	HI	35	LR135-105	1-2820-01HI-2	12109
2GMFY(E)-E	2cyl Diesel	All	w/Hitachi 35A Alternator	HI	35	LR135-105	1-2820-01HI-2	12109
2GML	2cyl Diesel	All	w/Hitachi 35A Alternator	HI	35	LR135-105	1-2820-01HI-2	12109
2GMYE-EC	2cyl Diesel	All	w/Hitachi 35A Alternator	HI	35	LR135-105	1-2820-01HI-2	12109
2GMZ	2cyl, 0.586L Diesel	All	w/2 Pin Regulator Hookup	HI	35	LR135-105	1-2820-01HI-2	12109

Model	Engine	Year	Option	Mfg	Amp	OEM #	PART NO.	REF.
<b>YANMAR - continued</b>								
<b>Engines - Marine - continued</b>								
2GM20	2cyl, 38.81ci, 0.636L Diesel	82-On	w/Hitachi 35A Alternator	HI	35	LR135-105	1-2820-01HI-2	12109
2QM15	2cyl, 0.662L Diesel	80-77	w/2 Pin Regulator Hookup	HI	35	LR135-105	1-2820-01HI-2	12109
2TD	2cyl Diesel	82-On	w/Hitachi 35A Alternator	HI	35	LR135-105	1-2820-01HI-2	12109
2TM	2cyl Diesel	82-On	w/Hitachi 35A Alternator	HI	35	LR135-105	1-2820-01HI-2	12109
3GM	3cyl Diesel	84-80	w/2 Pin Regulator Hookup	HI	35	LR135-105	1-2820-01HI-2	12109
3GMD	3cyl Diesel	82-On	w/2 Pin Regulator Hookup	HI	35	LR135-105	1-2820-01HI-2	12109
3GMF	3cyl Diesel	82-On	w/2 Pin Regulator Hookup	HI	35	LR135-105	1-2820-01HI-2	12109
3GMFY-E	3cyl Diesel	82-On	Standard Hitachi 35A	HI	35	LR135-105	1-2820-01HI-2	12109
3GMLE	3cyl Diesel	82-On	Standard Hitachi 35A	HI	35	LR135-105	1-2820-01HI-2	12109
3HM	3cyl Diesel	84-80	w/2 Pin Regulator Hookup	HI	35	LR135-105	1-2820-01HI-2	12109
3HMF	3cyl Diesel	84-80	w/2 Pin Regulator Hookup	HI	35	LR135-105	1-2820-01HI-2	12109
3JH2	3cyl Diesel	99-91	w/Hitachi 80A Alternator	HI	80	LR180-03C	1-2874-01HI	12272
			w/Hitachi 35A Alternator	HI	35	LR135-105	1-2820-01HI-2	12109
3JH2BE	3cyl Diesel	99-91	w/Hitachi 80A Alternator	HI	80	LR180-03C	1-2874-01HI	12272
3JH2E	3cyl Diesel	99-91	w/Hitachi 80A Alternator	HI	80	LR180-03C	1-2874-01HI	12272
3JH3	3cyl Diesel	03-99	w/Hitachi 80A Alternator	HI	80	LR180-03C	1-2874-01HI	12272
			w/Hitachi 35A Alternator	HI	35	LR135-105	1-2820-01HI-2	12109
3JH3E	3cyl Diesel	All	w/Hitachi 80A Alternator	HI	80	LR180-03C	1-2874-01HI	12272
3JH3E-YEU	3cyl Diesel	All	w/Hitachi 80A Alternator	HI	80	LR180-03C	1-2874-01HI	12272
3JH3Z	3cyl Diesel	All	w/Hitachi 35A Alternator	HI	35	LR135-105	1-2820-01HI-2	12109
3JH4E	3cyl, 100ci, 1.64L Diesel	03-On	w/Hitachi 80A Alternator	HI	80	LR180-03C	1-2874-01HI	12272
3TD		All	w/Hitachi 35A Alternator (12V)	HI	35	LR135-105	1-2820-01HI-2	12109
3TM		All	w/Hitachi 35A Alternator (12V)	HI	35	LR135-105	1-2820-01HI-2	12109
3TNE84	3cyl Diesel	All	w/Hitachi 40A Alternator	HI	40	LR140-714B	1-2315-01HI	12112
3TNE88	3cyl Diesel	All	w/Hitachi 40A Alternator	HI	40	LR140-714B	1-2315-01HI	12112
3YM20	3cyl Diesel	04-On	w/Hitachi 80A Alternator	HI	80	LR180-03C	1-2874-01HI	12272
3YM30	3cyl, 68ci, 1.116L Diesel	04-On	w/Hitachi 80A Alternator	HI	80	LR180-03C	1-2874-01HI	12272
4GM	4cyl Diesel	85-On	w/Hitachi 35A Alternator	HI	35	LR135-105	1-2820-01HI-2	12109
4JH	4cyl Diesel	82-On	w/Hitachi 35A Alternator	HI	35	LR135-105	1-2820-01HI-2	12109
4JH-HT	4cyl Diesel	82-On	w/Hitachi 35A Alternator	HI	35	LR135-105	1-2820-01HI-2	12109
4JH-HT-Z	4cyl Diesel	82-On	w/Hitachi 35A Alternator	HI	35	LR135-105	1-2820-01HI-2	12109
4JH-T	4cyl Diesel	82-On	w/Hitachi 35A Alternator	HI	35	LR135-105	1-2820-01HI-2	12109
4JH-TE	4cyl Diesel	82-On	w/Hitachi 80A Alternator	HI	80	LR180-03C	1-2874-01HI	12272
4JH-TZ	4cyl Diesel	82-On	w/Hitachi 35A Alternator	HI	35	LR135-105	1-2820-01HI-2	12109
4JH2-CE	4cyl Diesel	88-On	w/Hitachi 80A Alternator	HI	80	LR180-03C	1-2874-01HI	12272
4JH2-DTE	4cyl Diesel	88-On	w/Hitachi 80A Alternator	HI	80	LR180-03C	1-2874-01HI	12272
4JH2-E	4cyl Diesel	88-On	w/Hitachi 80A Alternator	HI	80	LR180-03C	1-2874-01HI	12272
4JH2-HTE	4cyl Diesel	88-On	w/Hitachi 80A Alternator	HI	80	LR180-03C	1-2874-01HI	12272
4JH2-TE	4cyl Diesel	88-On	w/Hitachi 80A Alternator	HI	80	LR180-03C	1-2874-01HI	12272
4JH2-UTE	4cyl Diesel	88-On	w/Hitachi 80A Alternator	HI	80	LR180-03C	1-2874-01HI	12272
4JH2L-HTNE	4cyl Diesel	88-On	w/Hitachi 35A Alternator	HI	35	LR135-105	1-2820-01HI-2	12109
4JH2L-TNE	4cyl Diesel	88-On	w/Hitachi 35A Alternator	HI	35	LR135-105	1-2820-01HI-2	12109
4JH3	4cyl Diesel	03-94	w/Hitachi 35A Alternator	HI	35	LR135-105	1-2820-01HI-2	12109
4JH3-CE	4cyl Diesel	03-94	w/Hitachi 80A Alternator	HI	80	LR180-03C	1-2874-01HI	12272
4JH3-DTE	4cyl Diesel	03-94	w/Hitachi 80A Alternator	HI	80	LR180-03C	1-2874-01HI	12272
4JH3-HTE	4cyl Diesel	03-94	w/Hitachi 80A Alternator	HI	80	LR180-03C	1-2874-01HI	12272
4JH3-TCE	4cyl Diesel	03-94	w/Hitachi 80A Alternator	HI	80	LR180-03C	1-2874-01HI	12272
4JH3-TE	4cyl Diesel	03-94	w/Hitachi 80A Alternator	HI	80	LR180-03C	1-2874-01HI	12272
4JH3E	4cyl Diesel	03-94	w/Hitachi 80A Alternator	HI	80	LR180-03C	1-2874-01HI	12272
4JH3ZA	4cyl Diesel	03-94	w/Hitachi 35A Alternator	HI	35	LR135-105	1-2820-01HI-2	12109
4JHE	4cyl Diesel	All	w/Hitachi 80A Alternator	HI	80	LR180-03C	1-2874-01HI	12272
4JHZ	4cyl Diesel	All	w/Hitachi 35A Alternator	HI	35	LR135-105	1-2820-01HI-2	12109
4LH-DTE	4cyl Diesel	87-On	w/Hitachi 80A Alternator	HI	80	LR180-03C	1-2874-01HI	12272
4LH-HTE	4cyl Diesel	87-On	w/Hitachi 80A Alternator	HI	80	LR180-03C	1-2874-01HI	12272
4LH-STE	4cyl Diesel	87-On	w/Hitachi 80A Alternator	HI	80	LR180-03C	1-2874-01HI	12272
4LH-TE	4cyl Diesel	All	w/Hitachi 80A Alternator	HI	80	LR180-03C	1-2874-01HI	12272
4LHA-DTE	4cyl Diesel	All	w/Hitachi 80A Alternator	HI	80	LR180-03C	1-2874-01HI	12272
4LHA-DTZ	4cyl Diesel	All	w/Hitachi 80A Alternator	HI	80	LR180-03C	1-2874-01HI	12272
4LHA-HTE	4cyl Diesel	All	w/Hitachi 80A Alternator	HI	80	LR180-03C	1-2874-01HI	12272

◆ See Buyer's Guide for Optional Units



# ALTERNATORS

Model	Engine	Year	Option	Mfg	Amp	OEM #	PART NO.	REF.
<b>YANMAR - continued</b>								
<b>Engines - Marine - continued</b>								
4LHA-HTZE	4cyl Diesel	All	w/Hitachi 80A Alternator	HI	80	LR180-03C	1-2874-01HI	12272
4LHA-STE	4cyl Diesel	All	w/Hitachi 80A Alternator	HI	80	LR180-03C	1-2874-01HI	12272
4LHA-STZE	4cyl Diesel	All	w/Hitachi 80A Alternator	HI	80	LR180-03C	1-2874-01HI	12272
4TD	4cyl Diesel	82-On	w/Hitachi 35A Alternator	HI	35	LR135-105	1-2820-01HI-2	12109
4TM	4cyl Diesel	82-On	w/Hitachi 35A Alternator	HI	35	LR135-105	1-2820-01HI-2	12109
4TNE84	4cyl, 1.995L Diesel	89-On	w/Hitachi 40A Alternator	HI	40	LR140-714B	1-2315-01HI	12112
4TNE88	4cyl, 2.190L Diesel	89-On	w/Hitachi 40A Alternator	HI	40	LR140-714B	1-2315-01HI	12112
6LP-DT	6cyl Diesel	97-On	w/Denso 80A Alternator	ND	80	101211-9940	1-2458-01ND	12355
6LP-DTE	6cyl Diesel	97-On	w/Denso 80A Alternator	ND	80	101211-9940	1-2458-01ND	12355
6LP-DTZE	6cyl Diesel	97-On	w/Denso 80A Alternator	ND	80	101211-9940	1-2458-01ND	12355
6LP-DTZE1	6cyl Diesel	97-On	w/Denso 80A Alternator	ND	80	101211-9940	1-2458-01ND	12355
6LP-DTZY	6cyl Diesel	97-On	w/Denso 80A Alternator	ND	80	101211-9940	1-2458-01ND	12355
6LP-ST	6cyl Diesel	97-On	w/Denso 80A Alternator	ND	80	101211-9940	1-2458-01ND	12355
6LP-STE	6cyl Diesel	97-On	w/Denso 80A Alternator	ND	80	101211-9940	1-2458-01ND	12355
6LP-STZE	6cyl Diesel	97-On	w/Denso 80A Alternator	ND	80	101211-9940	1-2458-01ND	12355
6LY-ST	6cyl Diesel	92-On	w/Hitachi 80A Alternator (12V)	HI	80	LR180-03C	1-2874-01HI	12272
6LY-STE	6cyl Diesel	92-On	w/Hitachi 80A Alternator (12V)	HI	80	LR180-03C	1-2874-01HI	12272
6LY-STM	6cyl Diesel	92-On	w/Hitachi 80A Alternator (12V)	HI	80	LR180-03C	1-2874-01HI	12272
6LY-STZY	6cyl Diesel	92-On	w/Hitachi 80A Alternator (12V)	HI	80	LR180-03C	1-2874-01HI	12272
6LY-UT	6cyl Diesel	92-On	w/Hitachi 80A Alternator (12V)	HI	80	LR180-03C	1-2874-01HI	12272
6LY-UTE	6cyl Diesel	92-On	w/Hitachi 80A Alternator (12V)	HI	80	LR180-03C	1-2874-01HI	12272
6LY-UTM	6cyl Diesel	92-On	w/Hitachi 80A Alternator (12V)	HI	80	LR180-03C	1-2874-01HI	12272
6LY-UTZY	6cyl Diesel	92-On	w/Hitachi 80A Alternator (12V)	HI	80	LR180-03C	1-2874-01HI	12272
6LY2-STE	6cyl Diesel	92-On	w/Hitachi 80A Alternator (12V)	HI	80	LR180-03C	1-2874-01HI	12272
6LYA-STE	6cyl Diesel	92-On	w/Hitachi 80A Alternator (12V)	HI	80	LR180-03C	1-2874-01HI	12272
6LYA-UTE	6cyl Diesel	92-On	w/Hitachi 80A Alternator (12V)	HI	80	LR180-03C	1-2874-01HI	12272
6LYM-STE	6cyl Diesel	92-On	w/Hitachi 80A Alternator (12V)	HI	80	LR180-03C	1-2874-01HI	12272
6LYM-UTE	6cyl Diesel	92-On	w/Hitachi 80A Alternator (12V)	HI	80	LR180-03C	1-2874-01HI	12272
KBW-20		All	w/Hitachi 80A Alternator	HI	80	LR180-03C	1-2874-01HI	12272
KBW-21		All	w/Hitachi 80A Alternator	HI	80	LR180-03C	1-2874-01HI	12272
KM2A		All	w/Hitachi 35A (Earlier)	HI	35	LR135-105	1-2820-01HI-2	12109
KM2P		All	w/Hitachi 35A (Earlier)	HI	35	LR135-105	1-2820-01HI-2	12109
KM3A		All	w/Hitachi 80A Alternator	HI	80	LR180-03C	1-2874-01HI	12272
KM3V		All	w/Hitachi 35A (Earlier)	HI	35	LR135-105	1-2820-01HI-2	12109
KM5A		All	w/Hitachi 80A Alternator	HI	80	LR180-03C	1-2874-01HI	12272
UJH2E		All	w/Hitachi 80A Alternator	HI	80	LR180-03C	1-2874-01HI	12272
Y-5M		All	w/Hitachi 35A (Earlier)	HI	35	LR135-105	1-2820-01HI-2	12109
<b>Generator Sets</b>								
Various Models	Diesel Engines	96-On	Hitachi System	HI	40	LR140-714B	1-2315-01HI	12112
<b>Tractors</b>								
Various Models	3TNA72 Engine	88-On	Denso System	ND	40	100211-4530	1-2335-01ND	12188

Model	Engine	Year	Option	Mfg KW	OEM #	PART NO.	REF.
<b>ACADIA</b>							
<b>Inboard &amp; Sterndrive</b>							
Various Models		71-60	Prestolite System	DR	MDT7010	<b>2-2907-CH</b>	5248
<b>AIFO</b>							
<b>Engines - Marine</b>							
8031	2.8L - 2751cc Diesel	83-79	Bosch System (12V)	BO 3.0	0-001-359-102	<b>50-9101-1</b>	18029
			Bosch System (24V)	BO 3.2	0-001-363-111	<b>50-9108</b>	18031
8035	2.6L - 2591cc Diesel	83-73	Bosch System (12V)	BO 2.7	0-001-362-039	<b>2-2325-BO</b>	17093
			Bosch System (24V)	BO 3.2	0-001-363-111	<b>50-9108</b>	18031
8041	3.5L - 3451cc Diesel	81-73	Bosch System (12V)	BO 2.7	0-001-362-039	<b>2-2325-BO</b>	17093
			Bosch System (24V '78-73)	BO 3.2	0-001-363-101	<b>50-9108</b>	18031
			Bosch System (24V '81-79)	BO 3.2	0-001-363-111	<b>50-9108</b>	18031
	3.7L - 3661cc Diesel	83-81	Bosch System (12V)	BO 3.0	0-001-359-102	<b>50-9101-1</b>	18029
			Bosch System (24V)	BO 3.2	0-001-363-111	<b>50-9108</b>	18031
			80-79	Bosch System (12V '79)	BO 2.7	0-001-362-039	<b>2-2325-BO</b>
			Bosch System (12V '81-80)	BO 3.0	0-001-367-028	<b>50-9101-1</b>	18029
			Bosch System (24V)	BO 3.2	0-001-363-111	<b>50-9108</b>	18031
8045	3.5L - 3451cc Diesel	81-73	Bosch System (12V)	BO 2.7	0-001-362-039	<b>2-2325-BO</b>	17093
			Bosch System (24V)	BO 3.2	0-001-363-111	<b>50-9108</b>	18031
8060	5.2L - 5191cc Diesel	81-73	Bosch System (12V)	BO 3.0	0-001-359-102	<b>50-9101-1</b>	18029
			Bosch System (24V)	BO 4.0	0-001-360-043	<b>2-2283-BO</b>	18030
8061	5.5L - 5500cc Diesel	83-80	Bosch System (12V)	BO 3.0	0-001-367-028	<b>50-9101-1</b>	18029
			Bosch System (24V)	BO 4.0	0-001-368-019	<b>2-2283-BO</b>	18030
		79	Bosch System (12V)	BO 3.0	0-001-359-102	<b>50-9101-1</b>	18029
		Bosch System (24V)	BO 4.0	0-001-360-043	<b>2-2283-BO</b>	18030	
8065	5.2L - 5191cc Diesel	80-73	Bosch System (12V)	BO 3.0	0-001-359-102	<b>50-9101-1</b>	18029
			Bosch System (24V)	BO 4.0	0-001-360-043	<b>2-2283-BO</b>	18030
8141	2.4L - 2445cc Diesel	83-82	Bosch System (Opt. H.D.)	BO 3.0	0-001-359-122	<b>50-9105-1</b>	17092
			Bosch System (Std.)	BO 2.7	0-001-362-039	<b>2-2325-BO</b>	17093
		81-78	Bosch System (Opt. H.D.)	BO 3.0	0-001-359-122	<b>50-9105-1</b>	17092
			Bosch System (Std.)	BO 2.7	0-001-362-039	<b>2-2325-BO</b>	17093
		77-72	Bosch System (Std.)	BO 2.7	0-001-362-039	<b>2-2325-BO</b>	17093
8360	8.1L - 8110cc Diesel	83-80	Bosch System (24V)	BO 4.0	0-001-368-020	<b>50-9122-1</b>	18033
8361	8.1L - 8110cc Diesel	83-80	Bosch System (12V)	BO 3.0	0-001-367-029	<b>50-9105-1</b>	17092
			Bosch System (24V)	BO 4.0	0-001-368-020	<b>50-9122-1</b>	18033
		79-78	Bosch System (12V)	BO 3.0	0-001-359-122	<b>50-9105-1</b>	17092
		Bosch System (24V)	BO 4.0	0-001-360-063	<b>50-9122-1</b>	18033	
CO Models	4.9L - 4941cc Diesel	81-71	Bosch System (24V)	BO 4.0	0-001-360-027	<b>2-2284-BO</b>	18032
	5.4L - 5410cc Diesel	81-71	Bosch System (24V)	BO 4.0	0-001-360-027	<b>2-2284-BO</b>	18032
CP Models	7.4L - 7411cc Diesel	81-71	Bosch System (24V)	BO 4.0	0-001-360-027	<b>2-2284-BO</b>	18032
M Models	4.5L - 4491cc Diesel	83	Bosch System (24V)	BO 5.4	0-001-416-021	<b>2-3037-BO</b>	18253
		82-80	Bosch System (24V)	BO 5.4	0-001-414-008	<b>2-3037-BO</b>	18253
	5.4L - 5381cc Diesel	83	Bosch System (24V)	BO 5.4	0-001-416-021	<b>2-3037-BO</b>	18253
		82-80	Bosch System (24V)	BO 5.4	0-001-414-008	<b>2-3037-BO</b>	18253
	6.7L - 6731cc Diesel	83	Bosch System (24V)	BO 5.4	0-001-416-021	<b>2-3037-BO</b>	18253
		82-80	Bosch System (24V)	BO 5.4	0-001-414-008	<b>2-3037-BO</b>	18253
	8.1L - 8110cc Diesel	83	Bosch System (24V)	BO 5.4	0-001-416-021	<b>2-3037-BO</b>	18253
		82-80	Bosch System (24V)	BO 5.4	0-001-414-008	<b>2-3037-BO</b>	18253
	10.8L - 10810cc Diesel	83-80	Bosch System (24V)	BO 5.4	0-001-410-044	<b>2-3037-BO</b>	18253
MZ Models	8.1L - 8110cc Diesel	83-80	Bosch System (24V)	BO 5.4	0-001-410-044	<b>2-3037-BO</b>	18253
<b>ARCTIC CAT</b>							
<b>All-Terrain Vehicle (ATV)</b>							
250 2X4	249cc	05-99	Mitsuba System	MT	3545-003	<b>2-2766-MT-2</b>	18807
250 4X4	249cc	05-01	Mitsuba System	MT	3545-003	<b>2-2766-MT-2</b>	18807
300 2X4	280cc	02-98	Mitsuba System	MT	3545-003	<b>2-2766-MT-2</b>	18807
300 4X4	280cc	02-98	Mitsuba System	MT	3545-003	<b>2-2766-MT-2</b>	18807
400 2X4	376cc	02-98	Mitsuba System	MT	3545-012	<b>2-2408</b>	18796
400 4X4	376cc	02-98	Mitsuba System	MT	3545-012	<b>2-2408</b>	18796
500 4X4	493cc	07-02	Mitsuba System	MT	3545-015	<b>2-2408</b>	18796

◆ See Buyer's Guide for Optional Units

# STARTERS

Model	Engine	Year	Option	Mfg	KW	OEM #	PART NO.	REF.
<b>ARCTIC CAT - continued</b>								
<b>All-Terrain Vehicle (ATV) - continued</b>								
500 4X4 Automatic	493cc	09-08	Mitsuba System	MT		3545-015	<b>2-2408</b>	18796
		07-00	Mitsuba System	MT		3545-015	<b>2-2408</b>	18796
500 4X4 Automatic (Incl. 500i)	493cc	02	Mitsuba System	MT		3545-015	<b>2-2408</b>	18796
500 4X4 Automatic LE	493cc	06-05	Mitsuba System	MT		3545-015	<b>2-2408</b>	18796
500 4X4 Automatic MRP	493cc	03	Mitsuba System	MT		3545-015	<b>2-2408</b>	18796
500 4X4 Automatic TBX	493cc	06-02	Mitsuba System	MT		3545-015	<b>2-2408</b>	18796
500 4X4 Automatic TRV	493cc	08-04	Mitsuba System	MT		3545-015	<b>2-2408</b>	18796
500 4X4 Hunter Automatic LE	493cc	01	Mitsuba System	MT		3545-015	<b>2-2408</b>	18796
650 H1 4X4 Automatic	641cc	07	Lucas TVS Built Starter	MT		0825-012	<b>2-2408</b>	18796
		06-05	Mitsuba System	MT		0825-001	<b>2-2408</b>	18796
650 H1 4X4 SE	641cc	06	Mitsuba System	MT		0825-001	<b>2-2408</b>	18796
650 H1 FIS	641cc	07	Lucas TVS Built Starter	MT		0825-012	<b>2-2408</b>	18796
650 H1 TBX	641cc	07	Lucas TVS Built Starter	MT		0825-012	<b>2-2408</b>	18796
650 H1 TRV	641cc	07	Lucas TVS Built Starter	MT		0825-012	<b>2-2408</b>	18796
<b>Personal Watercraft (PWC)</b>								
Barracuda	639cc	95-94	Hitachi System	HI		3008-093	<b>2-2152</b>	18435
Daytona	639cc	94-93	Hitachi System	HI		3008-093	<b>2-2152</b>	18435
		95	Hitachi System	HI		3008-327	<b>2-2152</b>	18435
Daytona 770	768cc	97-96	Hitachi System	HI		3008-462	<b>2-2152</b>	18435
Daytona 1000	999cc	97	Hitachi System	HI		3008-536	<b>2-2152</b>	18435
Monte Carlo 640	639cc	97-96	Hitachi System	HI		3008-327	<b>2-2152</b>	18435
		95-94	Hitachi System	HI		3008-093	<b>2-2152</b>	18435
Monte Carlo 770	768cc	97-96	Hitachi System	HI		3008-462	<b>2-2152</b>	18435
Monte Carlo 900	900cc	96	Hitachi System	HI		3008-327	<b>2-2152</b>	18435
Monte Carlo 1000	999cc	97	Hitachi System	HI		3008-536	<b>2-2152</b>	18435
Montego 640	639cc	97-94	Hitachi System	HI		3008-327	<b>2-2152</b>	18435
Montego Deluxe 640	639cc	97-94	Hitachi System	HI		3008-327	<b>2-2152</b>	18435
Tigershark 640	639cc	93	Hitachi System	HI		3008-093	<b>2-2152</b>	18435
Tigershark 900	900cc	95	Hitachi System	HI		3008-093	<b>2-2152</b>	18435
TS640	639cc	99-98	Hitachi System	HI		3008-536	<b>2-2152</b>	18435
TS770	768cc	99-98	Hitachi System	HI		3008-462	<b>2-2152</b>	18435
TS770L	768cc	99-98	Hitachi System	HI		3008-462	<b>2-2152</b>	18435
TS770R	768cc	99-98	Hitachi System	HI		3008-462	<b>2-2152</b>	18435
TS900L	900cc	99	Hitachi System	HI		3008-327	<b>2-2152</b>	18435
TS1000L	999cc	98	Hitachi System	HI		3008-536	<b>2-2152</b>	18435
TS1000R	999cc	98	Hitachi System	HI		3008-536	<b>2-2152</b>	18435
TS1100Li	1100cc	99	Hitachi System	HI		3008-536	<b>2-2152</b>	18435
TS1100R	1100cc	99	Hitachi System	HI		3008-536	<b>2-2152</b>	18435
<b>Snowmobiles</b>								
Bearcat 550	550cc	96-95	UT System	UT		0645-183	<b>2-3080-UT</b>	5943
Bearcat 570	565cc	07-04	UT System	UT		0745-143	<b>2-3081-UT</b>	5945
Bearcat Widetrack	550cc	99-96	UT System	UT		0645-183	<b>2-3080-UT</b>	5943
Cheetah 440	431cc	94-92	UT System	UT		0745-018	<b>2-3079-UT</b>	5944
Cheetah Touring	431cc	91	UT System	UT		0745-018	<b>2-3079-UT</b>	5944
Cougar	550cc	98-95	UT System	UT		0645-183	<b>2-3080-UT</b>	5943
Cougar 440	431cc	92-91	UT System	UT		0745-018	<b>2-3079-UT</b>	5944
Cougar Deluxe	550cc	98	UT System	UT		0645-183	<b>2-3080-UT</b>	5943
Cougar Mountain Cat	550cc	98-95	UT System	UT		0645-183	<b>2-3080-UT</b>	5943
El Tigre EXT	529cc	91-89	UT System	UT		0745-018	<b>2-3079-UT</b>	5944
El Tigre EXT Mountain Cat	529cc	91-89	UT System	UT		0745-018	<b>2-3079-UT</b>	5944
EXT 580	580cc	96-94	UT System	UT		0645-183	<b>2-3080-UT</b>	5943
EXT 580 EFI	580cc	98-94	UT System	UT		0645-183	<b>2-3080-UT</b>	5943
EXT 580 EFI Deluxe	580cc	98-96	UT System	UT		0645-183	<b>2-3080-UT</b>	5943
EXT 580 EFI Mountain Cat	580cc	96-94	UT System	UT		0645-183	<b>2-3080-UT</b>	5943
EXT 580 Mountain Cat	580cc	94	UT System	UT		0645-183	<b>2-3080-UT</b>	5943
EXT 580 Powder Special	580cc	96-95	UT System	UT		0645-183	<b>2-3080-UT</b>	5943
EXT 600	599cc	97	UT System	UT		0645-183	<b>2-3080-UT</b>	5943
EXT 600 Tour	599cc	98	UT System	UT		0645-183	<b>2-3080-UT</b>	5943
EXT 600 Triple	599cc	98	UT System	UT		0645-183	<b>2-3080-UT</b>	5943

Model	Engine	Year	Option	Mfg KW	OEM #	PART NO.	REF.
<b>ARCTIC CAT - continued</b>							
<b>Snowmobiles - continued</b>							
F5	499cc	08-07	UT System	UT	0745-143	2-3081-UT	5945
F6	599cc	08-07	UT System	UT	0745-143	2-3081-UT	5945
F8	794cc	08-07	UT System	UT	0745-143	2-3081-UT	5945
F1000 EFI	999cc	08-07	UT System	UT	0745-143	2-3081-UT	5945
Jag 340	339cc	91-89	UT System	UT	0745-018	2-3079-UT	5944
Jag 340 Deluxe	339cc	91-88	UT System	UT	0745-018	2-3079-UT	5944
Jag 340 Mountain Cat	339cc	91-90	UT System	UT	0745-018	2-3079-UT	5944
Jag 440	431cc	94-92	UT System	UT	0745-018	2-3079-UT	5944
Jag 440 AFS	431cc	93-89	UT System	UT	0745-018	2-3079-UT	5944
Jag 440 AFS Deluxe	431cc	91-90	UT System	UT	0745-018	2-3079-UT	5944
Jag 440 AFS Long Track	431cc	91-90	UT System	UT	0745-018	2-3079-UT	5944
Jag 440 AFS Special	431cc	91	UT System	UT	0745-018	2-3079-UT	5944
Jag 440 Deluxe	431cc	94-92	UT System	UT	0745-018	2-3079-UT	5944
Jag 440 Special	431cc	92	UT System	UT	0745-018	2-3079-UT	5944
Jag 440Z	431cc	93	UT System	UT	0745-018	2-3079-UT	5944
King Cat 900	862cc	06-04	UT System	UT	0745-143	2-3081-UT	5945
King Cat 900 EFI	862cc	06-05	UT System	UT	0745-143	2-3081-UT	5945
King Cat 900 EFI ER	862cc	06-05	UT System	UT	0745-143	2-3081-UT	5945
Lynx	339cc	93-91	UT System	UT	0745-018	2-3079-UT	5944
Lynx Deluxe	339cc	93-91	UT System	UT	0745-018	2-3079-UT	5944
Lynx Mountain Cat	339cc	93-92	UT System	UT	0745-018	2-3079-UT	5944
Mountain Cat 500	499cc	02	UT System	UT	0745-143	2-3081-UT	5945
		01	UT System	UT	0745-126	2-3081-UT	5945
Mountain Cat 570	565cc	04-02	UT System	UT	0745-143	2-3081-UT	5945
Mountain Cat 600 EFI	599cc	04-02	UT System	UT	0745-143	2-3081-UT	5945
		01	UT System	UT	0745-126	2-3081-UT	5945
Mountain Cat 800	785cc	04-01	UT System	UT	0745-143	2-3081-UT	5945
Mountain Cat 900	862cc	04-03	UT System	UT	0745-143	2-3081-UT	5945
Mountain Cat 900 EFI	862cc	04	UT System	UT	0745-143	2-3081-UT	5945
Mountain Cat 1000	999cc	02-01	UT System	UT	0645-312	2-3080-UT	5943
Pantera 1000	999cc	01	UT System	UT	0645-312	2-3080-UT	5943
		00	UT System	UT	0645-183	2-3080-UT	5943
Pantera 440	431cc	90-88	UT System	UT	0745-018	2-3079-UT	5944
Pantera 550	550cc	05-02	UT System	UT	0745-143	2-3081-UT	5945
Pantera 580	580cc	01	UT System	UT	0745-143	2-3081-UT	5945
		00-95	UT System	UT	0645-183	2-3080-UT	5943
Pantera 600 EFI	599cc	05-02	UT System	UT	0745-143	2-3081-UT	5945
Pantera 800	785cc	99-98	UT System	UT	0645-183	2-3080-UT	5943
Pantera 800 EFI	785cc	04-02	UT System	UT	0745-143	2-3081-UT	5945
Panther	431cc	93-89	UT System	UT	0745-018	2-3079-UT	5944
Panther 550	550cc	01	UT System	UT	0745-143	2-3081-UT	5945
		00-97	UT System	UT	0645-183	2-3080-UT	5943
Panther 570	565cc	07-02	UT System	UT	0745-143	2-3081-UT	5945
Panther Deluxe	431cc	93-91	UT System	UT	0745-018	2-3079-UT	5944
Panther Mountain Cat	431cc	91-90	UT System	UT	0745-018	2-3079-UT	5944
Powder Extreme	599cc	98-97	UT System	UT	0645-183	2-3080-UT	5943
Powder Special	580cc	97	UT System	UT	0645-183	2-3080-UT	5943
Prowler	431cc	90	UT System	UT	0745-018	2-3079-UT	5944
	550cc	95	UT System	UT	0645-183	2-3080-UT	5943
Sabrecat 500	499cc	06-04	UT System	UT	0745-143	2-3081-UT	5945
Sabrecat 600	599cc	06-04	UT System	UT	0745-143	2-3081-UT	5945
Sabrecat 700	698cc	06-04	UT System	UT	0745-143	2-3081-UT	5945
Super Jag	431cc	92-89	UT System	UT	0745-018	2-3079-UT	5944
T500 Touring	499cc	08	UT System	UT	0745-143	2-3081-UT	5945
Thundercat	896cc	97	UT System	UT	0645-183	2-3080-UT	5943
	999cc	02	UT System	UT	0645-312	2-3080-UT	5943
		01-98	UT System	UT	0645-183	2-3080-UT	5943
Thundercat MC	896cc	97	UT System	UT	0645-183	2-3080-UT	5943
	999cc	00-98	UT System	UT	0645-183	2-3080-UT	5943

◆ See Buyer's Guide for Optional Units

# STARTERS

Model	Engine	Year	Option	Mfg	KW	OEM #	PART NO.	REF.
-------	--------	------	--------	-----	----	-------	----------	------

## ARCTIC CAT - continued

### Snowmobiles - continued

Triple Touring 600	599cc	01	UT System	UT		0645-312	2-3080-UT	5943
		00-99	UT System	UT		0645-183	2-3080-UT	5943
Z370	367cc	99		UT		0645-183	2-3080-UT	5943
Z440	431cc	99-98		UT		0645-183	2-3080-UT	5943
		97-95	UT System	UT		0645-183	2-3080-UT	5943
Z570	565cc	07-02		UT		0745-143	2-3081-UT	5945
ZL500	499cc	02-01		UT		0745-143	2-3081-UT	5945
ZL550	550cc	03-01		UT		0745-143	2-3081-UT	5945
		00		UT		0645-183	2-3080-UT	5943
ZL580	580cc	00		UT		0645-183	2-3080-UT	5943
ZL600	599cc	03-01		UT		0745-143	2-3081-UT	5945
ZL800	785cc	03-01		UT		0745-143	2-3081-UT	5945
ZR500	499cc	02		UT		0745-143	2-3081-UT	5945
		01		UT		0745-126	2-3081-UT	5945
ZR600	599cc	02		UT		0745-143	2-3081-UT	5945
		01		UT		0745-126	2-3081-UT	5945
ZR800	785cc	03-01		UT		0745-143	2-3081-UT	5945
ZR900	862cc	06-03		UT		0745-143	2-3081-UT	5945
ZR900 EFI	862cc	06-04		UT		0745-143	2-3081-UT	5945
ZRT 600	594cc	02-01	UT System	UT		0645-312	2-3080-UT	5943
		00-97	UT System	UT		0645-183	2-3080-UT	5943
ZRT800	785cc	01-97	UT System	UT		0645-183	2-3080-UT	5943

### Utility Vehicle (UTV)

500 TRV	493cc	06	Mitsuba System	MT		3545-015	2-2408	18796
650 TRV	641cc	07	Lucas TVS Built Starter	MT		0825-012	2-2408	18796
Prowler H1 650	641cc	07-06	Mitsuba System	MT		0825-001	2-2408	18796
SBS 1000	480cc	02	Briggs & Stratton System	BS		B5-691564	2-2407	5776

## BERKLEY JET

### Inboard & Sterndrive

427	8cyl, 427ci, 7.0L GM	66-On	CW Rotation	DR		1108400	2-1595-DR	3560
454	8cyl, 454ci, 7.4L GM	70-On	CCW Rotation	DR		1109482	2-2909-DR ♦	6423
455	8cyl, 455ci, 7.5L GM	65-On	CW Rotation	DR		1108387	2-1608-DR-1	3697

## BMS MOTOR SPORTS

### All-Terrain Vehicle (ATV)

250cc Utility	250cc	All		MT		31036-C12-46	2-2800-2	18753
400cc Sports	400cc	All		ND		31464-C17-24	2-2324	18756
400cc Utility	400cc	All		MT		31566-C18-36	2-2799-MT-2	18683
400cc Utility A	400cc	All		MT		31566-C18-36	2-2799-MT-2	18683
400cc Utility B	400cc	All		MT		31566-C18-36	2-2799-MT-2	18683

### Utility Vehicle (UTV)

Ranch Pony 400cc	400cc	All		MT		31566-C18-36	2-2799-MT-2	18683
------------------	-------	-----	--	----	--	--------------	-------------	-------

## BMW

### Inboard Engines

Various Models	B630 Gas Engine	87-86	Bosch System	BO 1.7		0-001-110-028	2-1267-BO-2	17237
	B635 Gas Engine	87-86	Bosch System	BO 1.7		0-001-110-028	2-1267-BO-2	17237

### Motorcycles

F650	652cc	00-93	Bombardier Engine	ND		12-41-2-343-511	2-3149-ND	18820
F650CS	652cc	05-00	Bombardier Engine	ND		12-41-2-343-511	2-3149-ND	18820
F650GS	652cc	07-99	Bombardier Engine	ND		12-41-2-343-511	2-3149-ND	18820
F650GS Dakota	652cc	07-00	Bombardier Engine	ND		12-41-2-343-511	2-3149-ND	18820
F650ST	652cc	99-97	Bombardier Engine	ND		12-41-2-343-511	2-3149-ND	18820
F800S	798cc	08-05		ND		12-41-2-343-511	2-3149-ND	18820
F800ST	798cc	08-05		ND		12-41-2-343-511	2-3149-ND	18820
R45	473cc	85-78	Bosch System	VA		0-001-157-023	2-2916-VA	18904
R45N	473cc	85-78	Bosch System	VA		0-001-157-023	2-2916-VA	18904
R45T	473cc	85-80	Bosch System	VA		0-001-157-023	2-2916-VA	18904
R45TN	473cc	85-80	Bosch System	VA		0-001-157-023	2-2916-VA	18904
R60 /7	599cc	80-76	Bosch System	VA		0-001-157-023	2-2916-VA	18904

Model	Engine	Year	Option	Mfg KW	OEM #	PART NO.	REF.
<b>BMW - continued</b>							
<b>Motorcycles - continued</b>							
R65	651cc	85-78	Bosch System	VA	0-001-157-023	2-2916-VA	18904
R65LS	651cc	85-81	Bosch System	VA	0-001-157-023	2-2916-VA	18904
R65T	651cc	85-81	Bosch System	VA	0-001-157-023	2-2916-VA	18904
R75 /7	740cc	77-76	Bosch System	VA	0-001-157-023	2-2916-VA	18904
R80	797cc	95-84	Bosch System	VA	0-001-157-023	2-2916-VA	18904
R80 /7	797cc	80-77	Bosch System	VA	0-001-157-023	2-2916-VA	18904
R80GS	797cc	96-80	Bosch System	VA	0-001-157-023	2-2916-VA	18904
R80R	797cc	94-91	Bosch System	VA	0-001-157-023	2-2916-VA	18904
R80RT	797cc	95-84	Bosch System	VA	0-001-157-023	2-2916-VA	18904
R80ST	797cc	84-83	Bosch System	VA	0-001-157-023	2-2916-VA	18904
R100	980cc	84-76	Bosch System	VA	0-001-157-023	2-2916-VA	18904
R100 /7	980cc	78-76	Bosch System	VA	0-001-157-023	2-2916-VA	18904
R100CS	980cc	84-80	Bosch System	VA	0-001-157-023	2-2916-VA	18904
R100GS	980cc	95-87	Bosch System	VA	0-001-157-023	2-2916-VA	18904
R100GSPD	980cc	95-87	Bosch System	VA	0-001-157-023	2-2916-VA	18904
R100R	980cc	95-91	Bosch System	VA	0-001-157-023	2-2916-VA	18904
			Valeo System	VA	D6RA15	2-2916-VA	18915
R100R Mystic	980cc	95-94	Bosch System	VA	0-001-157-023	2-2916-VA	18904
R100RS	980cc	92-86	Bosch System	VA	0-001-157-023	2-2916-VA	18904
		84-76	Bosch System	VA	0-001-157-023	2-2916-VA	18904
R100RT	980cc	95-78	Bosch System	VA	0-001-157-023	2-2916-VA	18904
R100RT Classic	980cc	96-95	Bosch System	VA	0-001-157-023	2-2916-VA	18904
R100S	980cc	80-76	Bosch System	VA	0-001-157-023	2-2916-VA	18904
R100T	980cc	84-78	Bosch System	VA	0-001-157-023	2-2916-VA	18904
R850C	848cc	00-98	Valeo System	VA	D6RA55	2-2917-VA	18916
R850GS	848cc	00-98	Valeo System	VA	D6RA55	2-2917-VA	18916
R850R	848cc	07-94	Valeo System	VA	D6RA55	2-2917-VA	18916
R850RT	848cc	06-97	Valeo System	VA	D6RA55	2-2917-VA	18916
R1100GS	1085cc	99-94	Valeo System	VA	D6RA55	2-2917-VA	18916
R1100R	1085cc	02-95	Valeo System	VA	D6RA55	2-2917-VA	18916
R1100RS	1085cc	01-93	Valeo System	VA	D6RA55	2-2917-VA	18916
R1100RT	1085cc	01-95	Valeo System	VA	D6RA55	2-2917-VA	18916
R1100S	1085cc	05-98	Valeo System	VA	D6RA55	2-2917-VA	18916
R1150GS	1130cc	04-99	Valeo System	VA	D6RA55	2-2917-VA	18916
R1150GS Adventure	1130cc	06-02	Valeo System	VA	D6RA55	2-2917-VA	18916
R1150R	1130cc	06-00	Valeo System	VA	D6RA55	2-2917-VA	18916
R1150R Rockster	1130cc	06-03	Valeo System	VA	D6RA55	2-2917-VA	18916
R1150RS	1130cc	04-01	Valeo System	VA	D6RA55	2-2917-VA	18916
R1150RT	1130cc	06-01	Valeo System	VA	D6RA55	2-2917-VA	18916
R1200C	1170cc	04-97	Valeo System	VA	D6RA55	2-2917-VA	18916
R1200C Independent	1170cc	04-00	Valeo System	VA	D6RA55	2-2917-VA	18916
R1200C Montauk	1170cc	04	Valeo System	VA	D6RA55	2-2917-VA	18916
R1200CL	1170cc	04-03	Valeo System	VA	D6RA55	2-2917-VA	18916

## BOBCAT

### Articulated Loaders

2000	Perkins 4-154-200 Dsl	87-86	Dry Clutch	DR	1998376	50-8404	4274
2400	Perkins 4-236 Dsl	91-89	Delco System	DR	1113282	50-8404	6576
		88	Delco System	DR	1998376	50-8404	4274
2410	Perkins 4-236 Dsl	93-89	Delco System	DR	1113282	50-8404	6576

### Compact Excavators

231	Kubota D1902 Dsl	98-90	Denso System	ND 1.4	128000-0140	2-1960-ND-2	17367
-----	------------------	-------	--------------	--------	-------------	-------------	-------

### Skid Steer Loaders

641	Deutz F2L511 Dsl	90-89	Delco System	DR	1113282	50-8404	6576
		88-84	Delco System	DR	1998376	50-8404	4274
		83-80	Delco System	DR	1109253	50-8404	4963
741	Deutz F2L511D Dsl	90-89	Delco System	DR	1113282	50-8404	6576
		88-84	Delco System	DR	1998376	50-8404	4274
		83-81	Delco System	DR	1109253	50-8404	4963

◆ See Buyer's Guide for Optional Units

# STARTERS

Model	Engine	Year	Option	Mfg	KW	OEM #	PART NO.	REF.
<b>BOBCAT - continued</b>								
<b>Skid Steer Loaders - continued</b>								
843B	Isuzu 4JB1PK-01 Dsl	92-90	Dry Clutch	DR	1113282		<b>50-8404</b>	6576
843HC	Isuzu 4JB1PK-01 Dsl	92-89	Dry Clutch	DR	1113282		<b>50-8404</b>	6576
853	Isuzu 4JB1PK-03 Dsl	94-90	Dry Clutch	DR	1113282		<b>50-8404</b>	6576
853H	Isuzu 4JB1PK-03 Dsl	94-91	Dry Clutch	DR	1113282		<b>50-8404</b>	6576
943	Perkins 4-236 Dsl	94-90	Dry Clutch	DR	1113282		<b>50-8404</b>	6576
		89-85	Dry Clutch	DR	1998330		<b>50-8404</b>	4274
974	Perkins 4-236 Dsl	90-89	Dry Clutch	DR	1113282		<b>50-8404</b>	6576
		88-86	Dry Clutch	DR	1998330		<b>50-8404</b>	4274
975	J. Deere 4-276 Dsl	90-89	Delco System	DR	1113271		<b>50-8422</b>	6570
			Denso System	ND 2.7	028000-8400		<b>2-1750-ND</b>	17362
		88-86	Denso System	ND 2.7	028000-8400		<b>2-1750-ND</b>	17362
			Denso System	ND 2.7	028000-8400		<b>2-1750-ND</b>	17362
		83-77	Delco System	DR	1109251		<b>50-8422</b>	4960
			Denso System	ND 2.7	028000-8400		<b>2-1750-ND</b>	17362
76-74	Denso System	ND 2.7	028000-8400		<b>2-1750-ND</b>	17362		
980	Cummins 4BT3.9L Dsl	93-89	Delco System	DR	1113280		<b>50-8410</b>	6575
		88-86	Delco System	DR	1113593		<b>50-8407</b>	3300

<b>Trenchers</b>								
3023	Kubota V1702 Dsl	92-89	Delco System	DR	1113282		<b>50-8404</b>	6576

## BOMBARDIER

<b>All-Terrain Vehicle (ATV)</b>								
DS650	653cc	07-03	Denso System	ND	420-294-351		<b>2-3149-ND</b>	18820
		02-00	Denso System	ND	711-294-351		<b>2-3149-ND</b>	18820
DS650 Baja	653cc	04-03	Denso System	ND	420-294-351		<b>2-3149-ND</b>	18820
		02	Denso System	ND	711-294-351		<b>2-3149-ND</b>	18820
DS650X	653cc	07-04	Denso System	ND	420-294-351		<b>2-3149-ND</b>	18820
Quest 500 2X2	498cc	04	Mitsuba System	MT	420-888-991		<b>2-2999-MT</b>	18817
		03-02	Mitsuba System	MT	711-888-991		<b>2-2999-MT</b>	18817
Quest 500 4X4	498cc	04	Mitsuba System	MT	420-888-991		<b>2-2999-MT</b>	18817
		03-02	Mitsuba System	MT	711-888-991		<b>2-2999-MT</b>	18817
Quest 500 XT	498cc	04	Mitsuba System	MT	420-888-991		<b>2-2999-MT</b>	18817
		03-02	Mitsuba System	MT	711-888-991		<b>2-2999-MT</b>	18817
Quest 650	644cc	04	Mitsuba System	MT	420-888-991		<b>2-2999-MT</b>	18817
		03-02	Mitsuba System	MT	711-888-991		<b>2-2999-MT</b>	18817
Quest 650 XT	644cc	04	Mitsuba System	MT	420-888-991		<b>2-2999-MT</b>	18817
		03-02	Mitsuba System	MT	711-888-991		<b>2-2999-MT</b>	18817
Quest Max 650	644cc	04	Mitsuba System	MT	420-888-991		<b>2-2999-MT</b>	18817
Traxter 500 CVT (Auto)	498cc	05	Mitsuba System	MT	420-888-991		<b>2-2999-MT</b>	18817
Traxter 650 Auto CVT	644cc	05	Mitsuba System	MT	420-888-991		<b>2-2999-MT</b>	18817
Traxter 650 Max Auto CVT	644cc	05	Mitsuba System	MT	420-888-991		<b>2-2999-MT</b>	18817

<b>Utility Vehicle (UTV)</b>								
Sarasota 1000	249cc	05	Denso System	ND 0.6	DAW26844		<b>2-1785-ND</b>	18404

## BRIGGS & STRATTON

<b>Engines</b>									
Air Cooled	5 thru 7HP Intek Engines		Briggs System	BS	694504		<b>2-3066</b>	5936	
	7HP Horizontal	All	Briggs System	BS	390838		<b>2-2188</b>	5742	
	7HP Vertical	All	Briggs System	BS	390838		<b>2-2188</b>	5742	
	8HP Horizontal	All	Briggs System	BS	390838		<b>2-2188</b>	5742	
	8HP Vertical	All	Briggs System	BS	390838		<b>2-2188</b>	5742	
	10HP Horizontal	All	Briggs System	BS	390838		<b>2-2188</b>	5742	
	11HP Horizontal	All	Briggs System	BS	390838		<b>2-2188</b>	5742	
	11HP Vertical	All	Briggs System	BS	390838		<b>2-2188</b>	5742	
	12.5HP Vertical	All	Briggs System	BS	390838		<b>2-2188</b>	5742	
	12HP Vertical	All	Briggs System	BS	390838		<b>2-2188</b>	5742	
	14HP		All	Briggs System	BS	490753		<b>2-2405</b>	5930
				Briggs System	BS	490753		<b>2-2405</b>	5930
	14HP Horizontal		All	Briggs System; 4.25" Field Case	BS	498148		<b>2-2192</b>	5744
				Briggs System; 3.625" Field Case	BS	394808		<b>2-2189</b>	5743

Model	Engine	Year	Option	Mfg KW	OEM #	PART NO.	REF.
-------	--------	------	--------	--------	-------	----------	------

## BRIGGS & STRATTON - continued

### Engines - continued

Air Cooled	14HP Vertical	All	Briggs System; 4.25" Field Case	BS	498148	2-2192	5744
			Briggs System; 3.625" Field Case	BS	394808	2-2189	5743
	16HP Horizontal	All	Briggs System	BS	390838	2-2188	5742
			Briggs System; 4.25" Field Case	BS	498148	2-2192	5744
			Briggs System; 3.625" Field Case	BS	394808	2-2189	5743
	16HP Vertical	All	Briggs System	BS	390838	2-2188	5742
	18HP Horizontal	All	Briggs System	BS	390838	2-2188	5742
			Briggs System; 4.25" Field Case	BS	498148	2-2192	5744
			Briggs System; 3.625" Field Case	BS	394808	2-2189	5743

## CASE

### Tractors - Compact

D35	Shibaura 1.7L 35HP Dsl	04-0n	Denso System	ND 2.0	228000-5121	2-2732-ND-2	18139
D40	Shibaura 2.0L 35HP Dsl	04-0n	Denso System	ND 2.0	228000-5121	2-2732-ND-2	18139
D45	Shibaura 2.2L 45HP Dsl	04-0n	Denso System	ND 2.0	228000-5121	2-2732-ND-2	18139
DX18E	Shibaura 1.0L 18HP Dsl	04-0n	Denso System	ND 0.9	SBA18508-6670	2-1032-ND	17366
DX22E	Shibaura 1.0L 22HP Dsl	05-0n	Denso System	ND 0.9	SBA18508-6670	2-1032-ND	17366
DX23	Shibaura 1.0L 23HP Dsl	05-0n	Denso System	ND 0.9	SBA18508-6670	2-1032-ND	17366
DX25E	Shibaura 1.0L 25HP Dsl	05-0n	Denso System	ND 0.9	SBA18508-6670	2-1032-ND	17366
DX26	Shibaura 1.1L 26HP Dsl	05-0n	Denso System	ND 0.9	SBA18508-6670	2-1032-ND	17366
DX29	Shibaura 1.3L 29HP Dsl	04-0n	Mitsubishi System	MI 1.7	M1T66081	2-2569-MI	18395
DX31	Shibaura 1.5L 31HP Dsl	06-0n	Mitsubishi System	MI 1.7	M1T66081	2-2569-MI	18395
DX33	Shibaura 1.5L 33HP Dsl	04-0n	Mitsubishi System	MI 1.7	M1T66081	2-2569-MI	18395
DX34	Shibaura 1.7L 35HP Dsl	06-0n	Denso System	ND 2.0	228000-5121	2-2732-ND-2	18139
DX35	Shibaura 1.7L 35HP Dsl	04-0n	Denso System	ND 2.0	228000-5121	2-2732-ND-2	18139
DX40	Shibaura 2.0L 35HP Dsl	04-0n	Denso System	ND 2.0	228000-5121	2-2732-ND-2	18139
DX45	Shibaura 2.2L 45HP Dsl	04-0n	Denso System	ND 2.0	228000-5121	2-2732-ND-2	18139
DX48	Shibaura 2.2L 48HP Dsl	04-0n	Denso System	ND 2.0	228000-5121	2-2732-ND-2	18139
DX55	Shibaura 2.2L 55HP Dsl	07-0n	Denso System	ND 2.0	228000-5121	2-2732-ND-2	18139
DX60	Shibaura 2.2L 60HP Dsl	07-0n	Denso System	ND 2.0	228000-5121	2-2732-ND-2	18139

### Uni-Loaders

1816	Tecumseh OH160	77-73	Tecumseh System	TC	33835	2-2193	5751
1816B	Tecumseh OH160	81-77	Tecumseh System	TC	33835	2-2193	5751
1816C	Onan Engine	All	UT System	UT	1079540-M030SM	2-2195-UT	5702

## CATERPILLAR

### Engines - Marine

3114	4cyl, 268ci	91-0n	Denso System	ND 3.0	128000-5720	2-2263-ND	17615
3116	6cyl, 403ci, 6.6L	91-0n	Denso System	ND 3.0	128000-5720	2-2263-ND	17615
3145	8cyl, 522ci	74-70	w/CW	DR	1114156	50-100-2	3339
3150	8cyl, 573ci	74-70	w/CW	DR	1114156	50-100-2	3339
3160	8cyl, 636ci, 10.4L	74-70	w/CW	DR	1114156	50-100-2	3339
3208	8cyl, 636ci, 10.4L	95-85	Delco System	DR	1993804	50-152-2	6360
			Delco System	DR	1993806	50-150-2	6253
3304	4cyl, 425ci, 7.0L	97-96	Delco System	DR	1993806	50-150-2	6253
			Delco System	DR	1993820	50-150-2	6371
		95-91	Delco System	DR	1993804	50-152-2	6360
			Delco System	DR	1993806	50-150-2	6253
			Delco System	DR	1993820	50-150-2	6371
		90-85	Delco System	DR	1993804	50-152-2	6360
			Delco System	DR	1993806	50-150-2	6253
			Delco System	DR	1993820	50-150-2	6371
			Delco System	DR	1993806	50-150-2	6253
3306	6cyl, 638ci, 10.5L	97-96	Delco System	DR	1993806	50-150-2	6253
			Delco System	DR	1993813	2-2471-DR	6516
			Delco System	DR	1993820	50-150-2	6371
		95-91	Delco System	DR	1993804	50-152-2	6360
			Delco System	DR	1993806	50-150-2	6253
			Delco System	DR	1993813	2-2471-DR	6516
			Delco System	DR	1993820	50-150-2	6371

◆ See Buyer's Guide for Optional Units



# STARTERS

Model	Engine	Year	Option	Mfg	KW	OEM #	PART NO.	REF.
<b>CATERPILLAR - continued</b>								
<b>Engines - Marine - continued</b>								
3306	6cyl, 638ci, 10.5L	90-85	Delco System	DR	1993804		<b>50-152-2</b>	6360
			Delco System	DR	1993806		<b>50-150-2</b>	6253
			Delco System	DR	1993813		<b>2-2471-DR</b>	6516
			Delco System	DR	1993820		<b>50-150-2</b>	6371
3406	6cyl, 893ci, 14.6L	95-94	Delco System	DR	1993802		<b>50-151-2</b>	6378
			Delco System	DR	1993807		<b>50-153-2</b>	6352
			Delco System	DR	1990231		<b>50-111</b>	4930
		93-91	Delco System	DR	1993802		<b>50-151-2</b>	6378
			Delco System	DR	1993807		<b>50-153-2</b>	6352
			Delco System	DR	1990231		<b>50-111</b>	4930
		90-86	Delco System	DR	1993802		<b>50-151-2</b>	6378
			Delco System	DR	1993807		<b>50-153-2</b>	6352
			Delco System	DR	1990229		<b>50-111</b>	4930
		85	Delco System	DR	1993805		<b>50-151-2</b>	6370
			Delco System	DR	1993807		<b>50-153-2</b>	6352
		84-70	Delco System	DR	1113887		<b>50-104-2</b>	3745
			Delco System	DR	1114086		<b>50-108-2</b>	3974
		3408	8cyl, 1099ci, 18.0L	97-94	Delco System	DR	1993802	
Delco System	DR				1990231		<b>50-111</b>	4930
93-91	Delco System			DR	1993802		<b>50-151-2</b>	6378
	Delco System			DR	1990231		<b>50-111</b>	4930
90-86	Delco System			DR	1114086		<b>50-108-2</b>	3974
	Delco System			DR	1993802		<b>50-151-2</b>	6378
	Delco System			DR	1993807		<b>50-153-2</b>	6352
Delco System	DR			1990229		<b>50-111</b>	4930	
85-74	Delco System			DR	1109647		<b>50-111</b>	4930
3412	12cyl, 1649ci, 27.0L			97-94	Delco System	DR	1993802	
		Delco System	DR		1990231		<b>50-111</b>	4930
		93-91	Delco System	DR	1993802		<b>50-151-2</b>	6378
			Delco System	DR	1990231		<b>50-111</b>	4930
		90-86	Delco System	DR	1114086		<b>50-108-2</b>	3974
			Delco System	DR	1993802		<b>50-151-2</b>	6378
			Delco System	DR	1993807		<b>50-153-2</b>	6352
		Delco System	DR	1990229		<b>50-111</b>	4930	
		85-74	Delco System	DR	1109647		<b>50-111</b>	4930
		3508	8cyl, 2105ci, 34.5L	93-86	Delco System	DR	1993810	
			Delco System	DR	1993841		<b>50-111</b>	4930
3512	12cyl, 3158ci, 51.8L	93-86	Delco System	DR	1993810		<b>50-151-2</b>	6378
			Delco System	DR	1993841		<b>50-111</b>	4930
3516	16cyl, 4210ci, 69.0L	93-86	Delco System	DR	1993810		<b>50-151-2</b>	6378
			Delco System	DR	1993841		<b>50-111</b>	4930
D330	4cyl, 425ci	74-70	Delco System	DR	1114156		<b>50-100-2</b>	3339
			Delco System	DR	1114845		<b>50-103-2</b>	3948
D333	6cyl, 525ci	74-70	Delco System	DR	1114156		<b>50-100-2</b>	3339
			Delco System	DR	1114845		<b>50-103-2</b>	3948
D334	6cyl, 638ci, 10.5L	74-70	Delco System	DR	1114845		<b>50-103-2</b>	3948
D336	6cyl	74-70	Delco System	DR	1114845		<b>50-103-2</b>	3948
D342	6cyl, 1246ci	74-70	Delco System (24V)	DR	1109285		<b>50-111</b>	4930
D343	6cyl, 893ci, 14.6L	74-70	Delco System	DR	1109285		<b>50-111</b>	4930
D344	6cyl	74-70	Delco System	DR	1114845		<b>50-103-2</b>	3948
D346	8cyl, 1191ci	74-70	Delco System (24V)	DR	1109285		<b>50-111</b>	4930
D348	12cyl, 1787ci	74-70	Delco System (24V)	DR	1114756		<b>50-104-2</b>	3745
D353	6cyl, 1473ci	74-70	Delco System (24V)	DR	1109285		<b>50-111</b>	4930

## CHRIS CRAFT

### Inboard & Sterndrive

225	6cyl, 225ci, 3.7L CH	71-67		DR	1107259		<b>2-1592-DR ♦</b>	3664
283	8cyl, 327ci, 5.4L GM	69-60		DR	1107688		<b>2-1601-DR-2</b>	3650
283-0	8cyl, 283ci, 4.6L GM	69-60		DR	1107754		<b>2-2908-DR</b>	4287

♦ See Buyer's Guide for Optional Units

Model	Engine	Year	Option	Mfg KW	OEM #	PART NO.	REF.
-------	--------	------	--------	--------	-------	----------	------

## CHRIS CRAFT - continued

### Inboard & Sterndrive - continued

307-0	8cyl, 307ci, 5.0L GM	77-69	w/CCW	DR	MHA7012	2-2923-DR	5178
327-0	8cyl, 327ci, 5.4L GM	77-69	w/CCW	DR	MHA7012	2-2923-DR	5178

## CHRYSLER

### Engines - Marine IB & Stern

Various Models	LM318B	71-69	Clockwise Rotation	DR	MDT7001	2-2906-CH	3471		
			Counter - Clockwise	DR	MDT7010	2-2907-CH	5248		
	M273A / M273B	71-69	Clockwise Rotation	DR	MDT7001	2-2906-CH	3471		
			Counter - Clockwise	DR	MDT7010	2-2907-CH	5248		
	M273X	88-85	84-80	Clockwise - 2 Bolt	DR	MDT7021	2-2906-CH	3471	
				Clockwise - 2 Bolt	DR	MDT7021	2-2906-CH	3471	
		79-76	75-70	Counter CW - 2 Bolt	DR	MDT7022	2-2907-CH	5248	
				Clockwise - 2 Bolt	DR	MDT7021	2-2906-CH	3471	
		68-64	88-85	Counter CW - 2 Bolt	DR	MDT7022	2-2907-CH	5248	
				Clockwise - 2 Bolt	DR	MDT7021	2-2906-CH	3471	
		M318A / B / C / X	88-85	84-80	Counter CW - 2 Bolt	DR	MDT7022	2-2907-CH	5248
					Clockwise - 2 Bolt	DR	MDT7021	2-2906-CH	3471
	79-76		75-70	Counter CW - 2 Bolt	DR	MDT7022	2-2907-CH	5248	
				Clockwise - 2 Bolt	DR	MDT7021	2-2906-CH	3471	
	68-63		88-85	Counter CW - 2 Bolt	DR	MDT7022	2-2907-CH	5248	
				Clockwise - 2 Bolt	DR	MDT7021	2-2906-CH	3471	
	M383B	71-69	Clockwise Rotation	DR	MDT7001	2-2906-CH	3471		
			Counter - Clockwise	DR	MDT7010	2-2907-CH	5248		
	M383B / X	68-63	Counter - Clockwise	DR	MDT7010	2-2907-CH	5248		
	M413B / D / E / X	68-64	Counter - Clockwise	DR	MDT7010	2-2907-CH	5248		
	M413E	71-69	Clockwise Rotation	DR	MDT7001	2-2906-CH	3471		
			Counter - Clockwise	DR	MDT7010	2-2907-CH	5248		
	M426 Hemi	71-69	Clockwise Rotation	DR	MDT7001	2-2906-CH	3471		
			Counter - Clockwise	DR	MDT7010	2-2907-CH	5248		
	M426B / D / X, M440X	68-64	Counter - Clockwise	DR	MDT7010	2-2907-CH	5248		

### Engines - Marine Outboard

Various Models	20 / 25 / 30 / 35 H.P.	84-72	Prestolite System	PL	MDO4108A	2-3148-UT	5396
	45 / 50 H.P.	84-64	United Tech System	UT	4411940-M030SM	2-3147-UT	5727
	55 H.P.	76-67	United Tech System	UT	4411940-M030SM	2-3147-UT	5727
	70 H.P.	84-74	United Tech System	UT	4412040-M030SM	2-2082-UT	5732
		73-66	United Tech System	UT	4412040-M030SM	2-2082-UT	5732
	75 H.P.	84-74	United Tech System	UT	4412040-M030SM	2-2082-UT	5732
		73-66	United Tech System	UT	4412040-M030SM	2-2082-UT	5732
	85 H.P.	84-74	United Tech System	UT	4412040-M030SM	2-2082-UT	5732
		73-66	United Tech System	UT	4412040-M030SM	2-2082-UT	5732
	90 H.P.	84-77	United Tech System	UT	4412040-M030SM	2-2082-UT	5732
		76-74	United Tech System	UT	4412040-M030SM	2-2082-UT	5732
			73-66	United Tech System	UT	4412040-M030SM	2-2082-UT
	100 H.P.	84-79	United Tech System	UT	4412040-M030SM	2-2082-UT	5732
	105 H.P.	84-74	United Tech System	UT	4412040-M030SM	2-2082-UT	5732
		73-66	United Tech System	UT	4412040-M030SM	2-2082-UT	5732
	115 H.P.	84-77	United Tech System	UT	4412040-M030SM	2-2082-UT	5732
	120 H.P.	84-73	United Tech System	UT	4412040-M030SM	2-2082-UT	5732
	125 H.P.	82-81	United Tech System	UT	4412040-M030SM	2-2082-UT	5732
	130 H.P.	73-72	United Tech System	UT	4412040-M030SM	2-2082-UT	5732
	135 H.P.	77	United Tech System	UT	4412040-M030SM	2-2082-UT	5732
		76-74	United Tech System	UT	4412040-M030SM	2-2082-UT	5732
		73-69	United Tech System	UT	4412040-M030SM	2-2082-UT	5732
	140 H.P.	84-78	United Tech System	UT	4412040-M030SM	2-2082-UT	5732

◆ See Buyer's Guide for Optional Units

# STARTERS

Model	Engine	Year	Option	Mfg	KW	OEM #	PART NO.	REF.
<b>CLARK</b>								
<b>Skid Steer Loaders</b>								
641	Deutz F2L511	90-89	Delco System	DR	1113282		<b>50-8404</b>	6576
		88-84	Delco System	DR	1998376		<b>50-8404</b>	4274
		83-81	Delco System	DR	1109253		<b>50-8404</b>	4963
741	Deutz F2L511	90-89	Delco System	DR	1113282		<b>50-8404</b>	6576
		88-84	Delco System	DR	1998376		<b>50-8404</b>	4274
		83-81	Delco System	DR	1109253		<b>50-8404</b>	4963
<b>CLUB CAR</b>								
<b>Golf Carts</b>								
Carryall 294	Honda 20HP Gas	All	Denso System	ND	1026656-01		<b>2-2944-ND</b>	18986
XRT1500	Honda 20HP Gas	All	Denso System	ND	1026656-01		<b>2-2944-ND</b>	18986
<b>COLEMAN</b>								
<b>Generators</b>								
Various Models	Honda Engines		Mitsuba System	MT 1.2	SM302-26		<b>2-2943-MT</b>	18423
<b>CRUSADER</b>								
<b>Inboard &amp; Sterndrive</b>								
153	4cyl,153ci, 2.5L	69-61	Flange Mount	DR	1107274		<b>2-1601-DR-2</b>	3635
			Pad Mount	DR	1107399		<b>2-1592-DR ♦</b>	3664
170	170 Engine	69-61	Clockwise	DR	1109484		<b>2-2591-DR-2</b>	6440
			Counter CW	DR	1109485		<b>2-2752-DR-2</b>	4304
185	185 Engine	69-61	Clockwise	DR	1109484		<b>2-2591-DR-2</b>	6440
			Counter CW	DR	1109485		<b>2-2752-DR-2</b>	4304
200	200 Engine	69-61	Clockwise	DR	1109484		<b>2-2591-DR-2</b>	6440
			Counter CW	DR	1109485		<b>2-2752-DR-2</b>	4304
225	225 Engine	69-61	Clockwise	DR	1109484		<b>2-2591-DR-2</b>	6440
			Counter CW	DR	1109485		<b>2-2752-DR-2</b>	4304
229	6cyl, 229ci, 3.8L	88-80	Clockwise	DR	1109486		<b>2-1591-DR ♦</b>	3548
230	6cyl, 230ci, 3.8L	69-61	Clockwise	DR	1109484		<b>2-2591-DR-2</b>	6440
			Counter CW	DR	1109485		<b>2-2752-DR-2</b>	4304
262	6cyl, 262ci, 4.3L	88-79	Clockwise	DR	1109482		<b>2-2909-DR ♦</b>	6423
			Counter CW	DR	1109483		<b>2-2924-DR</b>	6439
283	8cyl, 283ci, 4.6L	71-61	w/Flange Mount w/CCW	DR	1109485		<b>2-2752-DR-2</b>	4304
			w/Flange Mount w/CW	DR	1109484		<b>2-2591-DR-2</b>	6440
305	8cyl, 305ci, 5.0L	04-96	w/Flange Mount w/CCW	DR	19010615		<b>2-2752-DR-2</b>	6616
			w/Flange Mount w/CW	DR	19010617		<b>2-2592-DR</b>	6615
		95-77	w/Flange Mount w/CCW	DR	1109485		<b>2-2752-DR-2</b>	4304
			w/Flange Mount w/CW	DR	1109484		<b>2-2591-DR-2</b>	6440
			w/Offset Pad Mount w/CCW	DR	1109483		<b>2-2924-DR</b>	6439
			w/Offset Pad Mount w/CW	DR	1109482		<b>2-2909-DR ♦</b>	6423
w/Straight Across Pad Mount	DR	1109486		<b>2-1591-DR ♦</b>	3548			
307	8cyl, 307ci, 5.0L	71-61	w/Flange Mount w/CCW	DR	1109485		<b>2-2752-DR-2</b>	4304
			w/Flange Mount w/CW	DR	1109484		<b>2-2591-DR-2</b>	6440
327	8cyl, 327ci, 5.4L	71-61	w/Flange Mount w/CCW	DR	1109485		<b>2-2752-DR-2</b>	4304
			w/Flange Mount w/CW	DR	1109484		<b>2-2591-DR-2</b>	6440
348	8cyl, 348ci, 5.6L	71-61	w/Flange Mount w/CCW	DR	1109485		<b>2-2752-DR-2</b>	4304
			w/Flange Mount w/CW	DR	1109484		<b>2-2591-DR-2</b>	6440
350	8cyl, 350ci, 5.7L	04-96	w/Flange Mount w/CCW	DR	19010615		<b>2-2752-DR-2</b>	6616
			w/Flange Mount w/CW	DR	19010617		<b>2-2592-DR</b>	6615
		95-77	w/Offset Pad Mount w/CCW	DR	1109483		<b>2-2924-DR</b>	6439
			w/Offset Pad Mount w/CW	DR	1109482		<b>2-2909-DR ♦</b>	6423
			w/Straight Across Pad Mount	DR	1109486		<b>2-1591-DR ♦</b>	3548
		95-67	w/Flange Mount w/CCW	DR	1109485		<b>2-2752-DR-2</b>	4304
w/Flange Mount w/CW	DR	1109484		<b>2-2591-DR-2</b>	6440			
364	8cyl, 364ci, 6.0L	04-99	w/Flange Mount w/CCW	DR	19010615		<b>2-2752-DR-2</b>	6616
409	8cyl, 409ci, 6.7L	71-61	w/Flange Mount w/CCW	DR	1109485		<b>2-2752-DR-2</b>	4304
			w/Flange Mount w/CW	DR	1109484		<b>2-2591-DR-2</b>	6440
427	8cyl, 427ci, 7.0L	71-61	w/Flange Mount w/CCW	DR	1109485		<b>2-2752-DR-2</b>	4304
			w/Flange Mount w/CW	DR	1109484		<b>2-2591-DR-2</b>	6440

♦ See Buyer's Guide for Optional Units

Model	Engine	Year	Option	Mfg KW	OEM #	PART NO.	REF.
<b>CRUSADER - continued</b>							
<b>Inboard &amp; Stern Drive - continued</b>							
454	8cyl, 454ci, 7.4L	95-77	w/Flange Mount w/CCW	DR	1109483	2-2924-DR	6439
		88-77	w/Flange Mount w/CCW	DR	1109485	2-2752-DR-2	4304
			w/Flange Mount w/CW	DR	1109484	2-2591-DR-2	6440
			w/Offset Pad Mount w/CW	DR	1109482	2-2909-DR ♦	6423
			w/Straight Across Pad Mount	DR	1109486	2-1591-DR ♦	3548
496	8cyl, 496ci, 8.1L	04-01	w/Flange Mount w/CCW	DR	19010615	2-2752-DR-2	6616
Various Models	Ford Engines	All	2 3/8" Ext. Into Flywheel; CCW; B+ Stud	FD		2-2901-FD ♦	3134
			2 3/8" Ext. Into Flywheel; CCW; B+ Tab	FD		2-2901-FD ♦	3143
			2 3/8" Ext. Into Flywheel; CW; B+ Stud	FD		2-2900-FD	3162
			2 3/8" Ext. Into Flywheel; CW; B+ Tab	FD		2-2900-FD	3182
			2 3/8" Ext.; Threaded Ear; CCW; B+ Stud	FD		2-2903-FD	3140
			2 3/8" Ext.; Threaded Ear; CCW; B+ Tab	FD		2-2903-FD	3141
			2 3/8" Ext.; Threaded Ear; CW; B+ Stud	FD		2-2902-FD	3159
			2 3/8" Ext.; Threaded Ear; CW; B+ Tab	FD		2-2902-FD	3159A
	4" MOD; 3-Bolt; CW	FD			2-2751-FD-2	3183	

## CUB CADET

### Mowers - Professional

M48-HN	Honda 20HP Gas	05-03	Denso System	ND	31200-ZJ4-831	2-2944-ND	18986
M48-KHS	Kohler 18HP Gas	04	Delco System	DR	25-098-09-S	2-2022-DR	6744
M48-KW	Kawasaki 23HP Gas	06-02	UT System	UT	21163-7010	2-2432-UT	5951
M48-KW Tank	Kawasaki 19HP Gas	06-02	UT System	UT	21163-7001	2-2432-UT	5951
M48-KWS	Kawasaki 17HP Gas	02	UT System	UT	21163-7001	2-2432-UT	5951
M50-KHS	Kohler 23HP Gas	06-05	Delco System	DR	25-098-09-S	2-2022-DR	6744
M54-HN	Honda 24HP Gas	05-03	Denso System	ND	31200-ZJ4-831	2-2944-ND	18986
M54-KH	Kohler 25HP Gas	04	Delco System	DR	25-098-09-S	2-2022-DR	6744
M54-KW Tank	Kawasaki 23HP Gas	06-02	UT System	UT	21163-7001	2-2432-UT	5951
M60-KH EFI Tank	Kohler 28HP Gas	05-04	Delco System	DR	25-098-09-S	2-2022-DR	6744
M60-KH Tank	Kohler 25HP Gas	06-02	Delco System	DR	25-098-08-S	2-2022-DR	6744
	Kohler 27HP Gas	06-02	Delco System	DR	25-098-09-S	2-2022-DR	6744
M60-KW ROPS Tank	Kawasaki 25HP Gas	06-04	UT System	UT	21163-7010	2-2432-UT	5951
M60-KW Tank	Kawasaki 25HP Gas	06-02	UT System	UT	21163-7010	2-2432-UT	5951
M72-GN Tank	Generac 28HP Gas	03	Delco System	DR	0C3017	2-2782-DR-2	6759
M72-GN33 Tank	Generac 33HP Gas	06-04	Delco System	DR	0E42710SRV	2-2782-DR-2	6759
Z-Wing 48	Kohler 23HP Gas	06-05	Delco System	DR	25-098-09-S	2-2022-DR	6744

### Mowers - Ride Behind

GMT-125	Briggs & Stratton 12.5HP Gas	90-89	Briggs & Stratton System	BS	399169	2-2191	5746
GMT-150	Briggs & Stratton 15HP Gas	90-89	Briggs & Stratton System	BS	399169	2-2191	5746

### Mowers - Riding

364	Briggs & Stratton 18HP Gas	02-00	Briggs & Stratton System	BS	691262	2-2191	5746
365	Kohler 20HP Gas	02-00	Denso System	ND 0.6	12-098-03	2-2022-ND	17628
365L	Kawasaki 18HP Gas	02-00	Denso System	ND	21163-2077	2-2643-ND	18010
3648	Kawasaki 17HP Gas	01	UT System	UT	21163-7001	2-2432-UT	5951
3654	Kawasaki 23HP Gas	01	UT System	UT	21163-7001	2-2432-UT	5951
	Kohler 25HP Gas	01-00	Denso System	ND 0.6	12-098-03	2-2022-ND	17628
3660	Kawasaki 23HP Gas	01	UT System	UT	21163-7001	2-2432-UT	5951
	Kohler 25HP Gas	01-00	Denso System	ND 0.6	12-098-03	2-2022-ND	17628

### Mowers - Wide Area

H1748	Kawasaki 17HP Gas	04-03	UT System	UT	21163-7001	2-2432-UT	5951
H1952	Kawasaki 19HP Gas	04-03	UT System	UT	21163-7001	2-2432-UT	5951
HF1748	Kawasaki 17HP Gas	03-02	UT System	UT	21163-7001	2-2432-UT	5951
HF1954	Kawasaki 19HP Gas	03-02	UT System	UT	21163-7001	2-2432-UT	5951
HFF1748	Kawasaki 17HP Gas	06-04	UT System	UT	21163-7010	2-2432-UT	5951

### Mowers - Zero Turn

RZT22	Briggs & Stratton 22HP Gas	04	Briggs & Stratton System	BS	497595	2-2188	5742
RZT50	Briggs & Stratton Engine	06-05	Briggs & Stratton System	BS	497595	2-2188	5742
	Kawasaki 22HP Twin OHV Gas	06-05	UT System	UT	21163-7010	2-2432-UT	5951
Z42	Kohler 15HP Gas	99-97	UT System	UT	12-098-13	2-2241	5770
Z48	Kohler 18HP Gas	99-97	Denso System	ND 0.6	12-098-03	2-2022-ND	17628
Z48L	Kawasaki 18HP Gas	98-97	Denso System	ND	21163-2077	2-2643-ND	18010

♦ See Buyer's Guide for Optional Units

# STARTERS

Model	Engine	Year	Option	Mfg	KW	OEM #	PART NO.	REF.
<b>CUB CADET - continued</b>								
<b>Mowers - Zero Turn - continued</b>								
Z54	Kohler 20HP Gas	99-97	Denso System	ND	0.6	12-098-03	2-2022-ND	17628
Z54L	Kawasaki 18HP Gas	99-97	Denso System	ND		21163-2077	2-2643-ND	18010
Z-Force 15	Kawasaki 15HP Gas	03	UT System	UT		21163-7010	2-2432-UT	5951
Z-Force 18	Briggs & Stratton 18HP Gas	03	Briggs & Stratton System	BS		691262	2-2191	5746
Z-Force 44	Briggs & Stratton 18HP Gas	06-04	Briggs & Stratton System	BS		691262	2-2191	5746
	Briggs & Stratton 20HP Gas	06-04	Briggs & Stratton System	BS		497595	2-2188	5742
	Kohler 20HP Command OHV Twin Gas	06-04	Delco System	DR		25-098-09-S	2-2022-DR	6744
Z-Force 48	Briggs & Stratton 22HP Gas	06-04	Briggs & Stratton System	BS		497595	2-2188	5742
	Kohler 20HP Command OHV Twin Gas	06-04	Delco System	DR		25-098-09-S	2-2022-DR	6744
Z-Force 50	Kohler 23HP Command OHV Twin Gas	06-05	Delco System	DR		25-098-09-S	2-2022-DR	6744
Z-Force 60	Kawasaki 23HP Gas	06	UT System	UT		21163-7001	2-2432-UT	5951
	Kohler 23HP Command OHV Twin Gas	06	Delco System	DR		25-098-09-S	2-2022-DR	6744
<b>Tractors - Compact</b>								
1180	Briggs & Stratton 18HP Gas	01-00	Briggs & Stratton System	BS		691262	2-2191	5746
1212	Briggs & Stratton 21HP Gas	01-00	Briggs & Stratton System	BS		691262	2-2191	5746
1300	Briggs & Stratton 13HP Gas	98	Aluminum Ring Gear	BS		693054	2-2188	5742
			Plastic Ring Gear	BS		497595	2-2188	5742
1405	Briggs & Stratton 14HP Gas	98	Aluminum Ring Gear	BS		693054	2-2188	5742
			Plastic Ring Gear	BS		497595	2-2188	5742
1515	Kohler 15HP Gas	02	UT System	UT		12-098-22-S	2-2241	5770
1517	Kohler 17HP Gas	02	UT System	UT		12-098-22-S	2-2241	5770
1600	Briggs & Stratton 16.5HP Gas	99	Plastic Ring Gear	BS		499521	2-2191	5778
1800	Briggs & Stratton 18HP Gas	99	Plastic Ring Gear	BS		499521	2-2191	5778
2130	Kohler 12.5HP Gas	98-96	Denso System (326006-On)	ND	0.6	24-098-01	2-2022-ND	17628
			Denso System (326006-On)	ND	0.6	24-098-01	2-2022-ND	17628
			Denso System (To 326005)	ND	0.6	12-098-03	2-2022-ND	17628
			Denso System (To 326005)	ND	0.6	12-098-03	2-2022-ND	17628
	Kohler 13HP Gas	99	Denso System	ND	0.6	24-098-01	2-2022-ND	17628
2135	Kohler 12.5HP Gas	98-96	Denso System (326006-On)	ND	0.6	24-098-01	2-2022-ND	17628
			Denso System (326006-On)	ND	0.6	24-098-01	2-2022-ND	17628
			Denso System (To 326005)	ND	0.6	12-098-03	2-2022-ND	17628
			Denso System (To 326005)	ND	0.6	12-098-03	2-2022-ND	17628
	Kohler 13HP Gas	99	Denso System	ND	0.6	24-098-01	2-2022-ND	17628
2150	Kohler 15HP Gas	98-94	Denso System	ND	0.6	24-098-01	2-2022-ND	17628
2155	Kohler 15HP Gas	99-94	Denso System	ND	0.6	24-098-01	2-2022-ND	17628
2160	Briggs & Stratton 16HP Gas	97-94	B&S System (326006-On)	BS		494990	2-2191	5746
			B&S System (To 326005)	BS		399169	2-2191	5746
2164	Briggs & Stratton 16HP Gas	01-99	B&S (Retaining Ring Style)	BS		499521	2-2191	5778
			B&S (Roll Pin Retained)	BS		494990	2-2191	5746
2165	Briggs & Stratton 16HP Gas	99-94	B&S (326006-On - Ret. Ring)	BS		499521	2-2191	5778
			B&S (326006-On - Roll Pin Ret.)	BS		494990	2-2191	5746
			B&S System (To 326005)	BS		399169	2-2191	5746
2166	Kohler 16HP Gas	02-00	Delco System	DR		25-098-09-S	2-2022-DR	6744
			Denso System	ND	0.6	24-098-01	2-2022-ND	17628
2176	Kohler 17HP Gas	02-00	Delco System	DR		25-098-09-S	2-2022-DR	6744
			Denso System	ND	0.6	24-098-01	2-2022-ND	17628
2185	Kohler 18HP Gas	01-94	Delco Sys. (Serial #1A031G-On)	DR		25-098-08-S	2-2022-DR	6744
			Denso System (326006-11310G)	ND	0.6	24-098-01	2-2022-ND	17628
			Denso System (To 326005)	ND	0.6	12-098-03	2-2022-ND	17628
2186	Kohler 18HP Gas	02-00	Delco System	DR		25-098-09-S	2-2022-DR	6744
			Denso System	ND	0.6	24-098-01	2-2022-ND	17628
2206	Kohler 20HP Gas	02-00	Delco System	DR		25-098-09-S	2-2022-DR	6744
			Denso System	ND	0.6	24-098-01	2-2022-ND	17628
2518	Kohler 18HP Gas	03-02	Delco System	DR		25-098-08-S	2-2022-DR	6744
3040	Kohler 22HP Gas	01	Delco System	DR		25-098-09-S	2-2022-DR	6744
3165	Briggs & Stratton 16HP Gas	99-98	Briggs & Stratton System	BS		499521	2-2191	5778

♦ See Buyer's Guide for Optional Units

Model	Engine	Year	Option	Mfg KW	OEM #	PART NO.	REF.
<b>CUB CADET - continued</b>							
<b>Tractors - Compact - continued</b>							
3184	Kohler 18HP Gas	00	Delco System	DR	25-098-09-S	<b>2-2022-DR</b>	6744
			Denso System	ND 0.6	24-098-01	<b>2-2022-ND</b>	17628
	Kohler 20HP Gas	01	Delco System	DR	25-098-08-S	<b>2-2022-DR</b>	6744
3185	Briggs & Stratton 18HP Gas	98	Briggs & Stratton System	BS	499521	<b>2-2191</b>	5778
3186	Kohler 18HP Gas	99	Denso System	ND 0.6	24-098-01	<b>2-2022-ND</b>	17628
3204	Kohler 20HP Gas	03-02	Delco System	DR	25-098-09-S	<b>2-2022-DR</b>	6744
3205	Kawasaki 20HP Gas	99-98	Denso System	ND 0.6	21163-2101	<b>2-2646-ND</b>	18012
3206	Kohler 20HP Gas	00	Delco System	DR	25-098-09-S	<b>2-2022-DR</b>	6744
			Denso System	ND 0.6	24-098-01	<b>2-2022-ND</b>	17628
	Kohler 22HP Gas	02-01	Delco System	DR	25-098-08-S	<b>2-2022-DR</b>	6744
3208	Kawasaki 20HP Gas	01-00	Denso System	ND 0.6	21163-2101	<b>2-2646-ND</b>	18012
3225	Kohler 22HP Gas	99-98	Denso System	ND 0.6	24-098-01	<b>2-2022-ND</b>	17628
3235	Kohler 23HP Gas	03-00	Delco (Serial #1K010G-On)	DR	25-098-09-S	<b>2-2022-DR</b>	6744
			Delco (To Serial #1J310G)	DR	25-098-09-S	<b>2-2022-DR</b>	6744
			Denso (To Serial #1J310G)	ND 0.6	24-098-01	<b>2-2022-ND</b>	17628
5252	Kohler 25HP Gas	06-04	Delco System	DR	25-098-09-S	<b>2-2022-DR</b>	6744
5252E	Kohler 25HP Gas	06-04	Delco System	DR	25-098-09-S	<b>2-2022-DR</b>	6744
7360	Mitsubishi 36HP 4-107 Diesel	03-00	Mitsubishi System	MI 2.0	MM409413	<b>2-1781-MI</b>	17096
GT1222	Briggs & Stratton 22HP Gas	04	Briggs & Stratton System	BS	691262	<b>2-2191</b>	5746
GT1554	Kohler 27HP Courage Gas	06-05	Delco System	DR	25-098-09-S	<b>2-2022-DR</b>	6744
GT2186	Kohler 18HP V-Twin Gas	04	Delco System	DR	25-098-09-S	<b>2-2022-DR</b>	6744
GT2521	B & S 21HP OHV V-Twin Gas	04	Briggs & Stratton System	BS	691564	<b>2-2407</b>	5776
GT2523	Kohler 23HP OHV V-Twin Gas	04	Delco System	DR	25-098-09-S	<b>2-2022-DR</b>	6744
GT2542	Kohler 20HP Command V-Twin Gas	06-05	Delco System	DR	25-098-09-S	<b>2-2022-DR</b>	6744
GT2544	Kohler 21HP Command V-Twin Gas	06-05	Delco System	DR	25-098-09-S	<b>2-2022-DR</b>	6744
GT2550	Kohler 22HP Command V-Twin Gas	06-05	Delco System	DR	25-098-09-S	<b>2-2022-DR</b>	6744
GT2554	Kohler 23HP Command V-Twin Gas	06-05	Delco System	DR	25-098-09-S	<b>2-2022-DR</b>	6744
GT3100	Kohler 23HP OHV V-Twin Gas	06-05	Delco System	DR	25-098-09-S	<b>2-2022-DR</b>	6744
GT3200	Kohler 25HP OHV V-Twin Gas	06-05	Delco System	DR	25-098-09-S	<b>2-2022-DR</b>	6744
GT3204	Kohler 23HP OHV V-Twin Gas	04	Delco System	DR	25-098-09-S	<b>2-2022-DR</b>	6744
GT3235	Kohler 25HP OHV V-Twin Gas	04	Delco System	DR	25-098-09-S	<b>2-2022-DR</b>	6744
LT1018	Briggs & Stratton 22HP Gas	04	Briggs & Stratton System	BS	691262	<b>2-2191</b>	5746
LT1018LE	Kohler 18HP Gas	04	UT System	UT	12-098-22-S	<b>2-2241</b>	5770
LT1022	Briggs & Stratton 22HP Gas	04	Briggs & Stratton System	BS	691262	<b>2-2191</b>	5746
LT1024	Briggs & Stratton 24HP Gas	04	Briggs & Stratton System	BS	691262	<b>2-2191</b>	5746
LT1050	Kohler 23HP Courage Twin Gas	06-05	Delco System	DR	25-098-09-S	<b>2-2022-DR</b>	6744
LT2042	Kohler 18HP Command V-Twin Gas	05	Delco System	DR	25-098-09-S	<b>2-2022-DR</b>	6744
LT2138	Kohler 16HP Gas	04-03	Delco System	DR	25-098-09-S	<b>2-2022-DR</b>	6744
LT2180	B & S 18HP OHV V-Twin Gas	04-03	Briggs & Stratton System	BS	691564	<b>2-2407</b>	5776
<b>Tractors - Garden</b>							
580	Briggs & Stratton 16HP	84-82	Briggs & Stratton System	BS	394808	<b>2-2189</b>	5743
582	Briggs & Stratton 16HP	84-79	Briggs & Stratton System	BS	394808	<b>2-2189</b>	5743
680	Kohler 12HP Gas	84-82	UT System	UT	SM14925	<b>2-2398-UT</b>	5759
682	Kohler 17HP Gas	84-80	UT System	UT	52-098-03	<b>2-2083-UT</b>	5757
782	Kohler 17HP Gas	84-80	UT System	UT	52-098-03	<b>2-2083-UT</b>	5757
	Kubota D600B 15HP Diesel	84	Mitsubishi System	MI	15852-63010	<b>2-1445-MI</b>	16791
784	Kohler 17HP Gas	84-82	UT System	UT	52-098-03	<b>2-2083-UT</b>	5757
800	Kohler 8HP Gas	80-74	UT System	UT	41-098-03	<b>2-2128-UT</b>	5767
882	Kubota D600B 15HP Diesel	84	Mitsubishi System	MI	15852-63010	<b>2-1445-MI</b>	16791
982	Onan B48G 19.9HP Engine	84-79	OE #191-1567	UT	191-1567	<b>2-2642-UT</b>	5701
			OE #191-1828	UT	191-1828	<b>2-2947</b>	5704
984	Onan B48G 19.9HP Engine	84-82	OE #191-1567	UT	191-1567	<b>2-2642-UT</b>	5701
			OE #191-1828	UT	191-1828	<b>2-2947</b>	5704
986	Onan B48G 19.9HP Engine	84-82	OE #191-1567	UT	191-1567	<b>2-2642-UT</b>	5701
			OE #191-1828	UT	191-1828	<b>2-2947</b>	5704

◆ See Buyer's Guide for Optional Units

# STARTERS

Model	Engine	Year	Option	Mfg	KW	OEM #	PART NO.	REF.
<b>CUB CADET - continued</b>								
<b>Tractors - Garden - continued</b>								
1000	Kohler 10HP Gas	80-74	UT System	UT		45-098-06	<b>2-2398-UT</b>	5759
1050	Kohler 10HP Gas	89	UT System	UT		41-098-04	<b>2-2175-UT</b>	5756
1200	Kohler 12HP Gas	80-74	UT System	UT		45-098-06	<b>2-2398-UT</b>	5759
1204	Kohler 12HP Gas	88-87	UT System	UT		41-098-04	<b>2-2175-UT</b>	5756
1210	Kohler 12HP Gas	89-85	UT System	UT		SM14925	<b>2-2398-UT</b>	5759
1211	Kohler 12HP Gas	89-87	UT System	UT		41-098-04	<b>2-2175-UT</b>	5756
1250	Kohler 12HP Gas	80-74	UT System	UT		45-098-06	<b>2-2398-UT</b>	5759
1282	Kohler 12HP Gas	84-82	UT System	UT		SM14925	<b>2-2398-UT</b>	5759
1340	Kohler 12.5HP Gas	91-90	UT System	UT		12-098-06	<b>2-2242</b>	5771
1440	Briggs & Stratton 14HP Gas	97-92	B & S (Serial 880001-On)	BS		494990	<b>2-2191</b>	5746
			B & S (To Serial 880000)	BS		399169	<b>2-2191</b>	5746
1450	Kohler 14HP K-321AQS Gas	80-74	UT System	UT		45-098-06	<b>2-2398-UT</b>	5759
1512	Kubota D600B 15HP Diesel	87-85	Mitsubishi System	MI		15852-63010	<b>2-1445-MI</b>	16791
1535	Kohler 15HP Gas	91-90	UT System	UT		52-098-03	<b>2-2083-UT</b>	5757
1541	Kohler 15HP Gas	91-90	UT System	UT		52-098-03	<b>2-2083-UT</b>	5757
1572	Kubota D600B 15HP Diesel	88-87	Mitsubishi System	MI		15852-63010	<b>2-1445-MI</b>	16791
1604	Briggs & Stratton 16HP Gas	86-85	Briggs & Stratton System	BS		394808	<b>2-2189</b>	5743
1606	Briggs & Stratton 16HP Gas	86-85	Briggs & Stratton System	BS		394808	<b>2-2189</b>	5743
1641	Briggs & Stratton 16HP Gas	97-92	B & S (Serial 800001-On)	BS		494990	<b>2-2191</b>	5746
			B & S (To Serial 800000)	BS		399169	<b>2-2191</b>	5746
1650	Kohler 16HP K-341AQS Gas	80-74	UT System	UT		45-098-06	<b>2-2398-UT</b>	5759
1710	Kohler 17HP Gas	85	UT System	UT		52-098-03	<b>2-2083-UT</b>	5757
1711	Kohler 17HP Gas	85	UT System	UT		52-098-03	<b>2-2083-UT</b>	5757
1712	Kohler 17HP Gas	85	UT System	UT		52-098-03	<b>2-2083-UT</b>	5757
1772	Kubota D640B 17HP Diesel	89	Mitsubishi System	MI		15852-63010	<b>2-1445-MI</b>	16791
1782	Kubota D640B 17HP Diesel	96-90	Mitsubishi System	MI		15852-63010	<b>2-1445-MI</b>	16791
1806	Kohler 18HP Gas	89-87	UT System	UT		52-098-03	<b>2-2083-UT</b>	5757
1810	Kohler 18HP Gas	89-86	UT System	UT		52-098-03	<b>2-2083-UT</b>	5757
1811	Kohler 18HP Gas	89-86	UT System	UT		52-098-03	<b>2-2083-UT</b>	5757
1812	Kohler 18HP Gas	89-86	UT System	UT		52-098-03	<b>2-2083-UT</b>	5757
1860	Kohler 18HP Gas	91-90	UT System	UT		52-098-03	<b>2-2083-UT</b>	5757
1861	Kohler 18HP Gas	92	UT System	UT		52-098-03	<b>2-2083-UT</b>	5757
1862	Kohler 18HP Gas	92-90	UT System	UT		52-098-03	<b>2-2083-UT</b>	5757
1863	Kohler 18HP Gas	97-93	Denso System	ND	0.6	12-098-03	<b>2-2022-ND</b>	17628
1864	Kohler 18HP Gas	97-93	Denso System	ND	0.6	12-098-03	<b>2-2022-ND</b>	17628
1872	Kohler 18HP Gas	89-87	UT System	UT		52-098-03	<b>2-2083-UT</b>	5757
1882	Kohler 18HP Gas	91-90	UT System	UT		52-098-03	<b>2-2083-UT</b>	5757
1912	Onan B48G 19.9HP Engine	86-85	OE #191-1567	UT		191-1567	<b>2-2642-UT</b>	5701
			OE #191-1828	UT		191-1828	<b>2-2947</b>	5704
1914	Onan B48G 19.9HP Engine	86-85	OE #191-1567	UT		191-1567	<b>2-2642-UT</b>	5701
			OE #191-1828	UT		191-1828	<b>2-2947</b>	5704
2072	Kohler 20HP Gas	89-87	UT System	UT		52-098-06	<b>2-2246</b>	5774
2082	Kohler 20HP Gas	00-92	UT System	UT		52-098-06	<b>2-2246</b>	5774
2084	Kohler 20HP Gas	94	Denso System	ND	0.6	12-098-03	<b>2-2022-ND</b>	17628
2086	Kawasaki 20HP Gas	97-96	Denso System	ND	0.6	21163-2101	<b>2-2646-ND</b>	18012
2182	Kubota WG600B 21HP Diesel	95-90	Mitsubishi System	MI		15852-63010	<b>2-1445-MI</b>	16791
2284	Kohler 22HP Gas	97-95	Denso System	ND	0.6	24-098-01	<b>2-2022-ND</b>	17628
GT2544	Kohler 21HP OHV Twin Gas	06-05	Delco System	DR		25-098-09-S	<b>2-2022-DR</b>	6744
GT2550	Kohler 22HP OHV Twin Gas	06-05	Delco System	DR		25-098-09-S	<b>2-2022-DR</b>	6744
GT2554	Kohler 23HP OHV Twin Gas	06-05	Delco System	DR		25-098-09-S	<b>2-2022-DR</b>	6744
GT3100	Kohler 23HP OHV Twin Gas	06-05	Delco System	DR		25-098-09-S	<b>2-2022-DR</b>	6744
GT3200	Kohler 25HP OHV Twin Gas	06-05	Delco System	DR		25-098-09-S	<b>2-2022-DR</b>	6744
LT2542	Kohler 20HP Command Twin Gas	06	Delco System	DR		25-098-09-S	<b>2-2022-DR</b>	6744
<b>Tractors - Lawn</b>								
70	Briggs & Stratton 7HP Gas	76-72	Briggs & Stratton System	BS		394805	<b>2-2188</b>	5742
80	Briggs & Stratton 8HP Gas	78-77	Briggs & Stratton System	BS		394805	<b>2-2188</b>	5742
81	Briggs & Stratton 8HP Gas	78-77	Briggs & Stratton System	BS		394805	<b>2-2188</b>	5742
111	Briggs & Stratton 11HP Gas	79-78	Briggs & Stratton System	BS		394805	<b>2-2188</b>	5742

♦ See Buyer's Guide for Optional Units

Model	Engine	Year	Option	Mfg KW	OEM #	PART NO.	REF.
-------	--------	------	--------	--------	-------	----------	------

## CUB CADET - continued

### Tractors - Lawn - continued

182	Briggs & Stratton 8HP Gas	84-80	Briggs & Stratton System	BS	394805	2-2188	5742
282	Briggs & Stratton 8HP Gas	84-80	Briggs & Stratton System	BS	394805	2-2188	5742
283	Briggs & Stratton 8HP Gas	84-80	Briggs & Stratton System	BS	394805	2-2188	5742
382	Briggs & Stratton 11HP Gas	84-80	Briggs & Stratton System	BS	394805	2-2188	5742
383	Briggs & Stratton 11HP Gas	84-80	Briggs & Stratton System	BS	394805	2-2188	5742
805	Briggs & Stratton 8HP Gas	86-85	Briggs & Stratton System	BS	394805	2-2188	5742
1015	Briggs & Stratton 10HP Gas	91-88	Briggs & Stratton System	BS	394805	2-2188	5742
1020	Briggs & Stratton 10HP Gas	91-88	Briggs & Stratton System	BS	394805	2-2188	5742
1105	Briggs & Stratton 11HP Gas	86-85	Briggs & Stratton System	BS	394805	2-2188	5742
1110	Briggs & Stratton 11HP Gas	86-85	Briggs & Stratton System	BS	394805	2-2188	5742
1215	Briggs & Stratton 12HP Gas	88-87	Briggs & Stratton System	BS	490420	2-2191	5746
1220	Briggs & Stratton 12HP Gas	88-87	Briggs & Stratton System	BS	490420	2-2191	5746
1225	Briggs & Stratton 12HP Gas	93-92	Briggs & Stratton System	BS	394805	2-2188	5742
1315	Kohler 12.5HP Gas	91-89	UT System	UT	12-098-05	2-2242	5771
1320	Kohler 12.5HP Gas	91-89	UT System	UT	12-098-05	2-2242	5771
1325	Kohler 12.5HP Gas	93-92	UT System	UT	12-098-05	2-2242	5771
1330	Kohler 12.5HP Gas	93-92	UT System	UT	12-098-05	2-2242	5771
1405	Kohler 14HP Gas	91-90	UT System	UT	12-098-06	2-2242	5771
1415	Kohler 14HP Gas	89-88	UT System	UT	52-098-09	2-2083-UT	5757
1420	Kohler 14HP Gas	91-88	UT System	UT	52-098-09	2-2083-UT	5757
1430	Kohler 14HP Gas	93-92	UT System	UT	52-098-09	2-2083-UT	5757
1605	Briggs & Stratton 16HP Gas	86-85	Briggs & Stratton System	BS	394808	2-2189	5743
1610	Briggs & Stratton 16HP Gas	86-85	Briggs & Stratton System	BS	394808	2-2189	5743
1615	Kohler 16HP Gas	87	UT System	UT	52-098-03	2-2083-UT	5757
1620	Kohler 16HP Gas	87	UT System	UT	52-098-03	2-2083-UT	5757
1715	Kohler 17HP Gas	89-88	UT System	UT	52-098-09	2-2083-UT	5757
1720	Kohler 17HP Gas	91-88	UT System	UT	52-098-09	2-2083-UT	5757
1730	Kohler 17HP Gas	93-92	UT System	UT	52-098-09	2-2083-UT	5757
2166	Kohler 16HP Gas	All	Delco System	DR	10455513	2-2022-DR	6744
2186	Kohler 18HP Gas	All	Delco System	DR	10455513	2-2022-DR	6744
2206	Kohler 20HP Gas	All	Delco System	DR	10455513	2-2022-DR	6744
2518	Kohler 18HP Gas	All	Delco System	DR	10455513	2-2022-DR	6744
3204	Kohler 20HP Gas	All	Delco System	DR	10455513	2-2022-DR	6744
3208	Kawasaki 20HP Gas	All	Denso System	ND 0.6	128000-9360	2-2646-ND	18012

### Utility Vehicle (UTV)

4016	Briggs & Stratton 16HP Gas	96	Briggs & Stratton System	BS	399169	2-2191	5746
Big Country 4x2	Kawasaki 9.5HP Engine	05-03	Denso System	ND 0.6	21163-2109	2-2667-ND	18450
	Honda 18HP Engine	04-03	Denso System	ND	31200-ZJ1-841	2-2747-ND-2	18985
	Kohler 18HP Engine	06-05	Delco System	DR	25-098-08	2-2022-DR	6744
			Delco System	DR	25-098-09-S	2-2022-DR	6744
Big Country 4x4	Kohler 20HP Engine	06	Delco System	DR	25-098-08	2-2022-DR	6744
			Delco System	DR	25-098-09-S	2-2022-DR	6744
Big Country 6x4	Honda 20HP Engine	04-02	Denso System	ND	31200-ZJ1-841	2-2747-ND-2	18985
	Kohler 20HP Engine	06-05	Delco System	DR	25-098-08	2-2022-DR	6744
			Delco System	DR	25-098-09-S	2-2022-DR	6744
Big Country 6x4 Fire & Rescue	Honda 20HP Engine	04-02	Denso System	ND	31200-ZJ1-841	2-2747-ND-2	18985
	Kohler 20HP Engine	06-05	Delco System	DR	25-098-08	2-2022-DR	6744
			Delco System	DR	25-098-09-S	2-2022-DR	6744
Volunteer 4x2 FIS	Kohler 18HP Engine	08	Delco System	DR	25-098-11-S	2-2022-DR	6744
Volunteer 4x4	Kohler 20HP Engine	08	Delco System	DR	25-098-11-S	2-2022-DR	6744
Volunteer 4x4 EFI	Kohler 31HP Engine	08	Delco System	DR	25-098-11-S	2-2022-DR	6744

## CUMMINS

### Engines - Marine

6BT, 5.9L	6cyl, 359ci, 5.9L	90-On		DR	1113276	50-8407	6573
				DR	1113277	50-8421	6574
			Oil Sealed	DR	1113292	50-8420	6583
V903	8cyl, 903ci, 14.8L	89-85		DR	1998423	50-8407	3300
		85-On	w/CW	DR	1990461	50-151-2	6370
		84-70	w/CW	DR	1114964	50-104-2	3745

♦ See Buyer's Guide for Optional Units



# STARTERS

Model	Engine	Year	Option	Mfg KW	OEM #	PART NO.	REF.
-------	--------	------	--------	--------	-------	----------	------

## CUMMINS MERCURISER

<b>Inboard</b>							
6BTA5.9-M	6cyl, 359ci, 5.9L	89-On		DR	1113276	<b>50-8407</b>	6573

## CUSHMAN

<b>Carts</b>							
Various Carts		All	UT System	UT		<b>2-2126-UT</b>	5765

## DEUTZ

<b>Engines - Marine</b>							
Various Models	BF4L1011 (2.71L - 2732cc)	94-89	12 Volt	BO 2.2		<b>2-1925-BO</b>	17318
		95-On	12 Volt	BO 2.2		<b>2-1946-BO</b>	18230
	BF6L912 (5.6L - 5655cc)	71-69	12 Volt	BO 3.0		<b>50-9109-1</b>	17074
	F1L410 (.6L - 636cc)	73-68	12 Volt (6/69-On)	BO 2.4		<b>50-9107</b>	17112
	F2L1011 (1.4L - 1366cc)	94-89	Std.	BO 2.2		<b>2-1925-BO</b>	17318
		95-On	Std.	BO 2.2		<b>2-1946-BO</b>	18230
	F2L410 (1.3L - 1270cc)	73-67	12 Volt (6/69-On)	BO 2.4		<b>50-9107</b>	17112
	F2L411 (1.4L - 1390cc)	75-73	12 Volt	BO 2.4		<b>50-9107</b>	17112
	F3L1011 (2.0L - 2049cc)	94-89	Std.	BO 2.2		<b>2-1925-BO</b>	17318
		95-On	Std.	BO 2.2		<b>2-1946-BO</b>	18230
	F3L911 (2.5L - 2460cc)	73-71	Std. 12 Volt	BO 2.7		<b>50-9124-1</b>	17074
			Std. 24 Volt	BO 4.0		<b>50-9110-1</b>	17073
		70-67	Std. 12 Volt	BO 2.7		<b>50-9124-1</b>	17074
			Std. 24 Volt	BO 4.0		<b>50-9110-1</b>	17073
	F3L912 (2.8L - 2827cc)	91-86	12 Volt	BO 2.7		<b>50-9124-1</b>	17075
			24 Volt	BO 4.0		<b>50-9110-1</b>	17073
		75-72	Std. 12 Volt	BO 3.0		<b>50-9109-1</b>	17074
			Std. 12 Volt	BO 2.7		<b>50-9124-1</b>	17074
	F4L1011 (2.7L - 2732cc)	94-89	12 Volt	BO 2.2		<b>2-1925-BO</b>	17318
		95-On	12 Volt	BO 2.2		<b>2-1946-BO</b>	18230
	F4L911 (3.3L - 3280cc)	73-71	12 Volt	BO 2.7		<b>50-9124-1</b>	17074
			24 Volt	BO 4.0		<b>50-9110-1</b>	17073
		70-67	12 Volt	BO 2.7		<b>50-9124-1</b>	17074
			24 Volt	BO 4.0		<b>50-9110-1</b>	17073
	F4L912 (3.8L - 3770cc)	92-89	12 Volt	BO 2.7		<b>50-9124-1</b>	17075
			12 Volt (Special Applications)	BO 2.7		<b>50-9124-1</b>	18027
		75-73	12 Volt	BO 3.0		<b>50-9109-1</b>	17074
			24 Volt	BO 4.0		<b>50-9110-1</b>	17073
		72-71	12 Volt	BO 2.7		<b>50-9124-1</b>	17074
			24 Volt	BO 4.0		<b>50-9110-1</b>	17073
		70	12 Volt	BO 2.7		<b>50-9124-1</b>	17074
			24 Volt	BO 4.0		<b>50-9110-1</b>	17073
	F5L912 (4.7L - 4712cc)	75-72	12 Volt	BO 3.0		<b>50-9109-1</b>	17074
			24 Volt	BO 4.0		<b>50-9110-1</b>	17073
	F6L312 (7.5L - 7480cc)	73-72	24 Volt	BO 5.4		<b>2-3042-BO</b>	17094
		71-65	24 Volt	BO 5.4		<b>2-3042-BO</b>	17094
	F6L413 (9.6L - 9572cc)	75-74	Std. 24 Volt	BO 5.4		<b>2-3042-BO</b>	17094
		73-67	Std. 24 Volt	BO 5.4		<b>2-3042-BO</b>	17094
		76-On	Std. 24 Volt	BO 5.4		<b>2-3042-BO</b>	17094
	F6L911 (4.9L - 4920cc)	73-67	Std. 12 Volt	BO 3.0		<b>50-9109-1</b>	17074
			Std. 24 Volt	BO 4.0		<b>50-9110-1</b>	17073
	F6L912 (5.6L - 5655cc)	75-71	Std. 12 Volt	BO 3.0		<b>50-9109-1</b>	17074
Std. 24 Volt			BO 4.0		<b>50-9110-1</b>	17073	
F8L312 (10.0L - 9970cc)	73-65	Std. 24 Volt	BO 5.4		<b>2-3042-BO</b>	17094	
F8L413 (12.8 - 12763cc)	80-67	Std. 24 Volt	BO 5.4		<b>2-3042-BO</b>	17094	

## ETON

<b>All-Terrain Vehicle (ATV)</b>							
AXL-50 Lightning 50	50cc	All	Mitsuba System	PO	650239	<b>2-2498</b>	18642
AXL-50C Lightning 50	50cc	All	Mitsuba System	PO	650239	<b>2-2498</b>	18642
AXL-90 Lightning 90	90cc 2-Stroke	All		MT	650511	<b>2-2898-MT</b>	18644
AXL-90C Lightning 90	90cc 2-Stroke	All		MT	650511	<b>2-2898-MT</b>	18644
DXL-90 Sierra 90	90cc 2-Stroke	All		MT	650511	<b>2-2898-MT</b>	18644

♦ See Buyer's Guide for Optional Units

Model	Engine	Year	Option	Mfg KW	OEM #	PART NO.	REF.
-------	--------	------	--------	--------	-------	----------	------

## ETON - continued

### All-Terrain Vehicle (ATV) - continued

DXL-90U Sierra 90	90cc 2-Stroke	All		MT	650511	2-2898-MT	18644
NXL-50 Lightning 50D	50cc	All	Mitsuba System	PO	650239	2-2498	18642
NXL-90 Thunder 90D	90cc 2-Stroke	All		MT	650511	2-2898-MT	18644
RXL-50 Viper 50	50cc	All	Mitsuba System	PO	650239	2-2498	18642
RXL-50M Viper 50M	50cc	All	Mitsuba System	PO	650239	2-2498	18642
RXL-90 Viper 90	90cc 2-Stroke	All		MT	650511	2-2898-MT	18644
RXL-90R Viper 90R	90cc 2-Stroke	All		MT	650511	2-2898-MT	18644
RXL-90R Viper 90R SS	90cc 4-Stroke	All		MT	650511	2-2898-MT	18644
TXL-50 Impulse 50	50cc	All	Mitsuba System	PO	650239	2-2498	18642
TXL-50 Thunder 50	50cc	All	Mitsuba System	PO	650239	2-2498	18642
TXL-90 Impulse 90	90cc 2-Stroke	All		MT	650511	2-2898-MT	18644
TXL-90 Thunder 90	90cc 2-Stroke	All		MT	650511	2-2898-MT	18644

### Scooters

PN2 Beamer	50cc	All	Mitsuba System	PO	650239	2-2498	18642
PN2B Beamer II	50cc	All	Mitsuba System	PO	650239	2-2498	18642
PN2C Beamer Matrix	50cc	All	Mitsuba System	PO	650239	2-2498	18642
PN2D Beamer III	50cc	All	Mitsuba System	PO	650239	2-2498	18642
PN2E Beamer Matrix II	50cc	All	Mitsuba System	PO	650239	2-2498	18642
PN2G Beamer R2-50	50cc	All	Mitsuba System	PO	650239	2-2498	18642
PN2H Matrix 50	50cc	All	Mitsuba System	PO	650239	2-2498	18642

## EVINRUDE

### Engines - Marine Outboard

E10E	13.2ci - 9.9 H.P.	93-85	United Tech System	UT	386430	2-2256	5710
	15.6ci - 9.9 H.P. / 15.0 H.P.	01-99	United Tech System	UT	586275	2-2255	5711
		98	United Tech System	UT	586274	2-3144-UT	5779
		97-94	United Tech System	UT	584613	2-3144-UT	5779
E10EL	13.2ci - 9.9 H.P.	93-80	United Tech System	UT	386430	2-2256	5710
	15.6ci - 9.9 H.P. / 15.0 H.P.	01-99	United Tech System	UT	586275	2-2255	5711
		98	United Tech System	UT	586274	2-3144-UT	5779
		97-94	United Tech System	UT	584613	2-3144-UT	5779
E10F	15.6ci - 9.9 H.P. / 15.0 H.P.	98	Match Numbers or Size	UT	586275	2-2255	5711
			Match Numbers or Size	UT	586274	2-3144-UT	5779
		97-94	Match Numbers or Size	UT	584608	2-2255	5711
			Match Numbers or Size	UT	386430	2-2256	5710
E10FEX 4-Stroke	18.6ci - 9.9 H.P.	99-95	United Tech System	UT	584608	2-2255	5711
E10FREL 4-Stroke	18.6ci - 9.9 H.P.	99-95	United Tech System	UT	584608	2-2255	5711
E10REL	13.2ci - 9.9 H.P.	93-90	United Tech System	UT	386430	2-2256	5710
	15.6ci - 9.9 H.P. / 15.0 H.P.	98	United Tech System	UT	586274	2-3144-UT	5779
		97-94	United Tech System	UT	584613	2-3144-UT	5779
E10SEL	13.2ci - 9.9 H.P.	93-80	United Tech System	UT	386430	2-2256	5710
	15.6ci - 9.9 H.P. / 15.0 H.P.	99-94	United Tech System	UT	586274	2-3144-UT	5779
E10T	15.6ci - 9.9 H.P. / 15.0 H.P.	01-99	United Tech System	UT	586275	2-2255	5711
E15B	15.6ci - 9.9 H.P. / 15.0 H.P.	01-98	United Tech System	UT	586274	2-3144-UT	5779
		97-94	United Tech System	UT	584613	2-3144-UT	5779
E15D	18.6ci - 15 H.P.	95	United Tech System	UT	584608	2-2255	5711
E15E	13.2ci - 9.9 H.P.	93-80	United Tech System	UT	386430	2-2256	5710
	15.6ci - 9.9 H.P. / 15.0 H.P.	01-99	United Tech System	UT	586275	2-2255	5711
		98	United Tech System	UT	586274	2-3144-UT	5779
		97-94	United Tech System	UT	584613	2-3144-UT	5779
E15EL	13.2ci - 9.9 H.P.	93-80	United Tech System	UT	386430	2-2256	5710
	15.6ci - 9.9 H.P. / 15.0 H.P.	01-94	United Tech System	UT	586274	2-3144-UT	5779
E15EVL	15.6ci - 9.9 H.P. / 15.0 H.P.	01-00	United Tech System	UT	586274	2-3144-UT	5779
E15F	18.6ci - 15 H.P.	01-98	United Tech System	UT	586275	2-2255	5711
		97-95	United Tech System	UT	584608	2-2255	5711
E15K	18.6ci - 15 H.P.	95	United Tech System	UT	584608	2-2255	5711
E15R	13.2ci - 9.9 H.P.	93-90	United Tech System	UT	386430	2-2256	5710
	15.6ci - 9.9 H.P. / 15.0 H.P.	01-99	United Tech System	UT	586275	2-2255	5711

◆ See Buyer's Guide for Optional Units

# STARTERS

Model	Engine	Year	Option	Mfg	KW	OEM #	PART NO.	REF.	
<b>EVINRUDE - continued</b>									
<b>Engines - Marine Outboard - continued</b>									
E15R	15.6ci - 9.9 H.P. / 15.0 H.P.	98	United Tech System	UT	586274		<b>2-3144-UT</b>	5779	
		97-94	United Tech System	UT	584613		<b>2-3144-UT</b>	5779	
E20	31.8ci - 20 H.P.	98	United Tech System (11-Tooth)	UT	586278		<b>2-2073-UT</b>	5712	
		97-96	United Tech System (11-Tooth)	UT	585061		<b>2-2073-UT</b>	5712	
E20 (Older Models)	31.8ci - 20 H.P.	79-66	United Tech System (11-Tooth)	UT	585061		<b>2-2073-UT</b>	5712	
E20E	31.8ci - 20 H.P.	95-85	United Tech System (11-Tooth)	UT	585061		<b>2-2073-UT</b>	5712	
			United Tech System (9-Tooth)	UT	585059		<b>2-2161</b>	5714	
E20EL	31.8ci - 20 H.P.	95-85	United Tech System (11-Tooth)	UT	585061		<b>2-2073-UT</b>	5712	
			United Tech System (9-Tooth)	UT	585059		<b>2-2161</b>	5714	
E25 (Older Models)	31.8ci - 25 H.P.	79-66	United Tech System (11-Tooth)	UT	585061		<b>2-2073-UT</b>	5712	
E25E	31.8ci - 25 H.P.	98	United Tech System (11-Tooth)	UT	586278		<b>2-2073-UT</b>	5712	
			97-81	United Tech System (11-Tooth)	UT	585061		<b>2-2073-UT</b>	5712
			United Tech System (9-Tooth)	UT	585059		<b>2-2161</b>	5714	
E25EL	31.8ci - 25 H.P.	97-81	United Tech System (11-Tooth)	UT	585061		<b>2-2073-UT</b>	5712	
			United Tech System (9-Tooth)	UT	585059		<b>2-2161</b>	5714	
E25KL (3cyl)	30.5ci - 25 H.P.	98	United Tech System (10-Tooth)	UT	586277		<b>2-2249</b>	5715	
E25QL (3cyl)	30.5ci - 25 H.P.	98	United Tech System (10-Tooth)	UT	586277		<b>2-2249</b>	5715	
E25TE	31.8ci - 25 H.P.	98-80	United Tech System (11-Tooth)	UT	585061		<b>2-2073-UT</b>	5712	
			United Tech System (9-Tooth)	UT	585059		<b>2-2161</b>	5714	
E25TEL	31.8ci - 25 H.P.	98-80	United Tech System (11-Tooth)	UT	585061		<b>2-2073-UT</b>	5712	
			United Tech System (9-Tooth)	UT	585059		<b>2-2161</b>	5714	
E25TKL (3cyl)	30.5ci - 25 H.P.	98	United Tech System	UT	586277		<b>2-2249</b>	5715	
E28 (Older Models)	31.8ci - 28 H.P.	76-67	United Tech System (11-Tooth)	UT	585061		<b>2-2073-UT</b>	5712	
		66	United Tech System (11-Tooth)	UT	585061		<b>2-2073-UT</b>	5712	
		65-60	United Tech System (11-Tooth)	UT	585061		<b>2-2073-UT</b>	5712	
E28ESL	31.8ci - 28 H.P.	96-87	United Tech System (11-Tooth)	UT	585061		<b>2-2073-UT</b>	5712	
			United Tech System (9-Tooth)	UT	585059		<b>2-2161</b>	5714	
E30E	31.8ci - 30 H.P.	98-84	United Tech System (11-Tooth)	UT	585061		<b>2-2073-UT</b>	5712	
			United Tech System (9-Tooth)	UT	585059		<b>2-2161</b>	5714	
E30EL	31.8ci - 30 H.P.	98-84	United Tech System (11-Tooth)	UT	585061		<b>2-2073-UT</b>	5712	
			United Tech System (9-Tooth)	UT	585059		<b>2-2161</b>	5714	
E30TE	31.8ci - 30 H.P.	98-85	United Tech System (11-Tooth)	UT	585061		<b>2-2073-UT</b>	5712	
			United Tech System (9-Tooth)	UT	585059		<b>2-2161</b>	5714	
E30TEL	31.8ci - 30 H.P.	98-85	United Tech System (11-Tooth)	UT	585061		<b>2-2073-UT</b>	5712	
			United Tech System (9-Tooth)	UT	585059		<b>2-2161</b>	5714	
E33 (Older Models)	31.8ci - 33 H.P.	76-67	United Tech System (11-Tooth)	UT	585061		<b>2-2073-UT</b>	5712	
		66	United Tech System (11-Tooth)	UT	585061		<b>2-2073-UT</b>	5712	
		65-60	United Tech System (11-Tooth)	UT	585061		<b>2-2073-UT</b>	5712	
E35E	31.8ci - 35 H.P.	84-80	United Tech System (11-Tooth)	UT	585061		<b>2-2073-UT</b>	5712	
			United Tech System (9-Tooth)	UT	585059		<b>2-2161</b>	5714	
E35EL	31.8ci - 35 H.P.	84-80	United Tech System (11-Tooth)	UT	585061		<b>2-2073-UT</b>	5712	
			United Tech System (9-Tooth)	UT	585059		<b>2-2161</b>	5714	
E35KL (3cyl)	34.5ci - 35 H.P.	01-98	United Tech System	UT	586277		<b>2-2249</b>	5715	
		97-96	United Tech System	UT	584818		<b>2-2249</b>	5715	
E35QL (3cyl)	34.5ci - 35 H.P.	98-96	United Tech System	UT	584818		<b>2-2249</b>	5715	
E35TEL	31.8ci - 35 H.P.	84-83	United Tech System (11-Tooth)	UT	585061		<b>2-2073-UT</b>	5712	
			United Tech System (9-Tooth)	UT	585059		<b>2-2161</b>	5714	
E35TKL (3cyl)	34.5ci - 35 H.P.	01-98	United Tech System	UT	586277		<b>2-2249</b>	5715	
E40 (Older Models)	44.9ci - 40 H.P.	76-60	Prestolite System (9-Tooth)	PL	387684		<b>2-2789-UT-2</b>	5278	
			Prestolite System (9-Tooth)	UT	389275		<b>2-2080-UT</b>	5281	
			UT Starter (11-Tooth; 3.454" Hsg.)	UT	585061		<b>2-2073-UT</b>	5712	
E40D	40 H.P. E-TECH	09-04	UT System	UT	586768		<b>2-2796-2</b>	5909	
E40E	44.9ci - 40 H.P.	98-89	UT Starter (9-Tooth; 4.033" Hsg.)	UT	583482		<b>2-2160</b>	5713	
			UT Starter (9-Tooth; 4.033" Hsg.)	UT	586279		<b>2-2160</b>	5713	
		88-85	Prestolite System (9-Tooth)	PL	387684		<b>2-2789-UT-2</b>	5278	
			UT Starter (11-Tooth; 3.454" Hsg.)	UT	585061		<b>2-2073-UT</b>	5712	
			UT Starter (9-Tooth; 4.033" Hsg.)	UT	585063		<b>2-2080-UT</b>	5716	
E40EL	44.9ci - 40 H.P.	98-89	UT Starter (9-Tooth; 4.033" Hsg.)	UT	583482		<b>2-2160</b>	5713	
			UT Starter (9-Tooth; 4.033" Hsg.)	UT	586279		<b>2-2160</b>	5713	

♦ See Buyer's Guide for Optional Units

Model	Engine	Year	Option	Mfg KW	OEM #	PART NO.	REF.
<b>EVINRUDE - continued</b>							
<b>Engines - Marine Outboard - continued</b>							
E40EL	44.9ci - 40 H.P.	88-85	Prestolite System (9-Tooth)	PL	387684	<b>2-2789-UT-2</b>	5278
			UT Starter (11-Tooth; 3.454" Hsg.)	UT	585061	<b>2-2073-UT</b>	5712
			UT Starter (9-Tooth; 4.033" Hsg.)	UT	585063	<b>2-2080-UT</b>	5716
E40TE	44.9ci - 40 H.P.	98-89	UT Starter (9-Tooth; 4.033" Hsg.)	UT	583482	<b>2-2160</b>	5713
			UT Starter (9-Tooth; 4.033" Hsg.)	UT	586279	<b>2-2160</b>	5713
		88-85	Prestolite System (9-Tooth)	PL	387684	<b>2-2789-UT-2</b>	5278
UT Starter (11-Tooth; 3.454" Hsg.)	UT		585061	<b>2-2073-UT</b>	5712		
UT Starter (9-Tooth; 4.033" Hsg.)	UT		585063	<b>2-2080-UT</b>	5716		
E40TEL	44.9ci - 40 H.P.	98-89	UT Starter (9-Tooth; 4.033" Hsg.)	UT	583482	<b>2-2160</b>	5713
			UT Starter (9-Tooth; 4.033" Hsg.)	UT	586279	<b>2-2160</b>	5713
		88-85	Prestolite System (9-Tooth)	PL	387684	<b>2-2789-UT-2</b>	5278
UT Starter (11-Tooth; 3.454" Hsg.)	UT		585061	<b>2-2073-UT</b>	5712		
UT Starter (9-Tooth; 4.033" Hsg.)	UT		585063	<b>2-2080-UT</b>	5716		
E40TL	44.9ci - 40 H.P.	98-89	UT Starter (9-Tooth; 4.033" Hsg.)	UT	583482	<b>2-2160</b>	5713
			UT Starter (9-Tooth; 4.033" Hsg.)	UT	586279	<b>2-2160</b>	5713
E40TTL	44.9ci - 40 H.P.	98-89	UT Starter (9-Tooth; 4.033" Hsg.)	UT	583482	<b>2-2160</b>	5713
			UT Starter (9-Tooth; 4.033" Hsg.)	UT	586279	<b>2-2160</b>	5713
E48ESL	44.9ci - 48 H.P.	96-87	UT Starter (9-Tooth; 4.033" Hsg.)	UT	583482	<b>2-2160</b>	5713
			UT Starter (9-Tooth; 4.033" Hsg.)	UT	586279	<b>2-2160</b>	5713
E50 (Older Models)	44.9ci - 50 H.P.	79-71	Prestolite System (9-Tooth)	PL	387684	<b>2-2789-UT-2</b>	5278
			Prestolite System (9-Tooth)	UT	389275	<b>2-2080-UT</b>	5281
			UT Starter (9-Tooth; 4.033" Hsg.)	UT	585063	<b>2-2080-UT</b>	5716
E50BE	44.9ci - 50 H.P.	94-89	UT Starter (9-Tooth; 4.033" Hsg.)	UT	583482	<b>2-2160</b>	5713
			UT Starter (9-Tooth; 4.033" Hsg.)	UT	586279	<b>2-2160</b>	5713
		88-81	Prestolite System (9-Tooth)	PL	387684	<b>2-2789-UT-2</b>	5278
UT Starter (9-Tooth; 4.033" Hsg.)	UT		585063	<b>2-2080-UT</b>	5716		
E50BEL	44.9ci - 50 H.P.	95-89	UT Starter (9-Tooth; 4.033" Hsg.)	UT	583482	<b>2-2160</b>	5713
			UT Starter (9-Tooth; 4.033" Hsg.)	UT	586279	<b>2-2160</b>	5713
		88-81	Prestolite System (9-Tooth)	PL	387684	<b>2-2789-UT-2</b>	5278
UT Starter (9-Tooth; 4.033" Hsg.)	UT		585063	<b>2-2080-UT</b>	5716		
E50D	50 H.P. E-TECH	09-04	UT System	UT	586768	<b>2-2796-2</b>	5909
E50DTL (3cyl)	56.1ci - 50 H.P.	98	UT Starter (9-Tooth; 4.033" Hsg.)	UT	586281	<b>2-2078-UT</b>	5718
E50EL (3cyl)	56.1ci - 50 H.P.	98	UT Starter (9-Tooth; 4.033" Hsg.)	UT	586281	<b>2-2078-UT</b>	5718
E50J Jet	44.9ci - 35 H.P.	97-91	United Tech System	UT	586280	<b>2-2080-UT</b>	5716
E50TEL	44.9ci - 50 H.P.	97-89	UT Starter (9-Tooth; 4.033" Hsg.)	UT	583482	<b>2-2160</b>	5713
			UT Starter (9-Tooth; 4.033" Hsg.)	UT	586279	<b>2-2160</b>	5713
		88-83	Prestolite System (9-Tooth)	PL	387684	<b>2-2789-UT-2</b>	5278
UT Starter (9-Tooth; 4.033" Hsg.)	UT		585063	<b>2-2080-UT</b>	5716		
E50TL	44.9ci - 50 H.P.	97-89	UT Starter (9-Tooth; 4.033" Hsg.)	UT	583482	<b>2-2160</b>	5713
			UT Starter (9-Tooth; 4.033" Hsg.)	UT	586279	<b>2-2160</b>	5713
		88-84	Prestolite System (9-Tooth)	PL	387684	<b>2-2789-UT-2</b>	5278
UT Starter (9-Tooth; 4.033" Hsg.)	UT		585063	<b>2-2080-UT</b>	5716		
E50TTL (3cyl)	56.1ci - 50 H.P.	98	UT Starter (9-Tooth; 4.033" Hsg.)	UT	586281	<b>2-2078-UT</b>	5718
E55M	55 H.P. E-TECH	09-08	UT System	UT	586768	<b>2-2796-2</b>	5909
E60 (Older Models)	44.9ci - 60 H.P.	76-71	Prestolite System (9-Tooth)	PL	387684	<b>2-2789-UT-2</b>	5278
E60D	60 H.P. E-TECH	09-05	UT System	UT	586768	<b>2-2796-2</b>	5909
E60E (2cyl)	44.9ci - 60 H.P.	82-80	Prestolite System (9-Tooth)	PL	387684	<b>2-2789-UT-2</b>	5278
			Prestolite System (9-Tooth)	UT	389275	<b>2-2080-UT</b>	5281
			UT Starter (9-Tooth; 4.033" Hsg.)	UT	585063	<b>2-2080-UT</b>	5716
E60EL	49.7ci - 60 H.P.	88-86	United Tech System (9-Tooth)	UT	386657	<b>2-2078-UT</b>	5718
	56.1ci - 60 H.P.	98	United Tech System (9-Tooth)	UT	586281	<b>2-2078-UT</b>	5718
E60EL (2cyl)	44.9ci - 60 H.P.	85-80	Prestolite System (9-Tooth)	PL	387684	<b>2-2789-UT-2</b>	5278
			Prestolite System (9-Tooth)	UT	389275	<b>2-2080-UT</b>	5281
			UT Starter (9-Tooth; 4.033" Hsg.)	UT	585063	<b>2-2080-UT</b>	5716
E60TL	49.7ci - 60 H.P.	88-86	United Tech System (9-Tooth)	UT	386657	<b>2-2078-UT</b>	5718
	56.1ci - 60 H.P.	98	United Tech System (9-Tooth)	UT	586281	<b>2-2078-UT</b>	5718
E60TL (2cyl)	44.9ci - 60 H.P.	85-84	Prestolite System (9-Tooth)	PL	387684	<b>2-2789-UT-2</b>	5278
			Prestolite System (9-Tooth)	UT	389275	<b>2-2080-UT</b>	5281
			UT Starter (9-Tooth; 4.033" Hsg.)	UT	585063	<b>2-2080-UT</b>	5716

◆ See Buyer's Guide for Optional Units

# STARTERS

Model	Engine	Year	Option	Mfg	KW	OEM #	PART NO.	REF.
<b>EVINRUDE - continued</b>								
<b>Engines - Marine Outboard - continued</b>								
E60TTL	56.1ci - 60 H.P.	98	United Tech System (9-Tooth)	UT	586281		<b>2-2078-UT</b>	5718
E65 (Older Models)	44.9ci - 65 H.P.	79-69	United Tech System (9-Tooth)	UT	386657		<b>2-2078-UT</b>	5718
E65RWL	49.7ci - 65 H.P.	86-85	United Tech System (9-Tooth)	UT	386657		<b>2-2078-UT</b>	5718
E65TEL	49.7ci - 65 H.P.	86-85	United Tech System (9-Tooth)	UT	386657		<b>2-2078-UT</b>	5718
E65W	65 H.P. E-TECH	09-08	UT System	UT	586768		<b>2-2796-2</b>	5909
E65WML	49.7ci - 65 H.P.	88-86	United Tech System (9-Tooth)	UT	386657		<b>2-2078-UT</b>	5718
	56.1ci - 65 H.P.	89	United Tech System (9-Tooth)	UT	386657		<b>2-2078-UT</b>	5718
				United Tech System (9-Tooth)	UT	585197		<b>2-2078-UT</b>
E70 (Older Models)	49.7ci - 70 H.P.	79-71	Prestolite System (9-Tooth)	PL	387684		<b>2-2789-UT-2</b>	5278
E70EL	49.7ci - 70 H.P.	85-80	United Tech System (9-Tooth)	UT	386657		<b>2-2078-UT</b>	5718
	56.1ci - 70 H.P.	97-86	United Tech System (9-Tooth)	UT	386657		<b>2-2078-UT</b>	5718
				United Tech System (9-Tooth)	UT	585197		<b>2-2078-UT</b>
E70TL	49.7ci - 70 H.P.	85-84	United Tech System (9-Tooth)	UT	386657		<b>2-2078-UT</b>	5718
	56.1ci - 70 H.P.	97-86	United Tech System (9-Tooth)	UT	386657		<b>2-2078-UT</b>	5718
				United Tech System (9-Tooth)	UT	585197		<b>2-2078-UT</b>
E70TTL	56.1ci - 70 H.P.	95-91	United Tech System (9-Tooth)	UT	386657		<b>2-2078-UT</b>	5718
			United Tech System (9-Tooth)	UT	585197		<b>2-2078-UT</b>	5718
E75 (Older Models)	49.7ci - 70 H.P.	79-71	Prestolite System (9-Tooth)	PL	387684		<b>2-2789-UT-2</b>	5278
E75DP	75 H.P. E-TECH	09-04	UT System	UT	586768		<b>2-2796-2</b>	5909
E75DS	75 H.P. E-TECH	09-08	UT System	UT	586768		<b>2-2796-2</b>	5909
E75E	49.7ci - 75 H.P.	88-84	United Tech System (9-Tooth)	UT	386657		<b>2-2078-UT</b>	5718
E75ER	49.7ci - 75 H.P.	83-80	United Tech System (9-Tooth)	UT	386657		<b>2-2078-UT</b>	5718
E75ERL	49.7ci - 75 H.P.	80	United Tech System (9-Tooth)	UT	386657		<b>2-2078-UT</b>	5718
E75FP	75 H.P. FICHT	03-01	UT System	UT	586287		<b>2-2783-UT-2</b>	5762
E75FV	75 H.P. FICHT	01	UT System	UT	586287		<b>2-2783-UT-2</b>	5762
E75TL	49.7ci - 75 H.P.	84	United Tech System (9-Tooth)	UT	386657		<b>2-2078-UT</b>	5718
E75TRL	49.7ci - 75 H.P.	83-81	United Tech System (9-Tooth)	UT	386657		<b>2-2078-UT</b>	5718
E85 (Older Models)	1.6L - 99.6ci - 85 H.P.	79-64	United Tech System (Small Gear)	UT	389954		<b>2-2079-UT</b>	5719
E85ML	1.6L - 99.6ci - 85 H.P.	80	United Tech System (10-Tooth)	UT	389954		<b>2-2079-UT</b>	5719
E85TL	1.6L - 99.6ci - 85 H.P.	80	United Tech System (10-Tooth)	UT	389954		<b>2-2079-UT</b>	5719
E85TTL	1.6L - 99.6ci - 85 H.P.	95-91	United Tech System (10-Tooth)	UT	585057		<b>2-2166</b>	5722
E85TX	1.6L - 99.6ci - 85 H.P.	80	United Tech System (10-Tooth)	UT	389954		<b>2-2079-UT</b>	5719
E88MSL	1.6L - 99.6ci - 88 H.P.	96-87	United Tech System (10-Tooth)	UT	585057		<b>2-2166</b>	5722
E88TSL	1.6L - 99.6ci - 88 H.P.	96-94	United Tech System (10-Tooth)	UT	585057		<b>2-2166</b>	5722
E90 (Older Models)	1.6L - 99.6ci - 90 H.P.	77-70	United Tech System (Small Gear)	UT	389954		<b>2-2079-UT</b>	5719
E90D	90 H.P. E-TECH	09-04	United Tech System	UT	586768		<b>2-2796-2</b>	5909
E90EL	1.6L - 99.6ci - 90 H.P.	98-95	United Tech System	UT	584980		<b>2-2257</b>	5720
E90F	90 H.P. FICHT	03-98	United Tech System	UT	586287		<b>2-2783-UT-2</b>	5762
E90ML	1.6L - 99.6ci - 90 H.P.	86-81	United Tech System (10-Tooth)	UT	389954		<b>2-2079-UT</b>	5719
E90PL FICHT V4	1.7L - 105.4ci - 90 H.P.	01-99	United Tech System	UT	584980		<b>2-2257</b>	5720
E90SL	1.6L - 99.6ci - 90 H.P.	98-95	United Tech System	UT	584980		<b>2-2257</b>	5720
E90TL	1.6L - 99.6ci - 90 H.P.	95-81	United Tech System (10-Tooth)	UT	389954		<b>2-2079-UT</b>	5719
			United Tech System (10-Tooth)	UT	585057		<b>2-2166</b>	5722
E90TSL	1.6L - 99.6ci - 90 H.P.	98-96	United Tech System (10-Tooth)	UT	585057		<b>2-2166</b>	5722
E90TX	1.6L - 99.6ci - 90 H.P.	86-81	United Tech System (10-Tooth)	UT	389954		<b>2-2079-UT</b>	5719
E100 (Older Models)	1.6L - 99.6ci - 100 H.P.	79-69	United Tech System (Small Gear)	UT	389954		<b>2-2079-UT</b>	5719
E100F	100 H.P. FICHT	05-04	United Tech System	UT	586287		<b>2-2783-UT-2</b>	5762
E100ML	1.6L - 99.6ci - 100 H.P.	80	United Tech System (10-Tooth)	UT	389954		<b>2-2079-UT</b>	5719
E100STL	1.6L - 99.6ci - 100 H.P.	90-89	United Tech System (10-Tooth)	UT	389954		<b>2-2079-UT</b>	5719
E100STL XP	1.6L - 99.6ci - 100 H.P.	93-91	United Tech System (10-Tooth)	UT	389954		<b>2-2079-UT</b>	5719
			United Tech System (10-Tooth)	UT	585057		<b>2-2166</b>	5722
E100TL	1.6L - 99.6ci - 100 H.P.	80	United Tech System (10-Tooth)	UT	389954		<b>2-2079-UT</b>	5719
E100TX	1.6L - 99.6ci - 100 H.P.	80	United Tech System (10-Tooth)	UT	389954		<b>2-2079-UT</b>	5719
E100WML	1.6L - 99.6ci - 100 H.P.	86-85	United Tech System (10-Tooth)	UT	389954		<b>2-2079-UT</b>	5719
E100WQL Commercial	1.6L - 99.6ci - 100 H.P.	99-98	United Tech System	UT	586284		<b>2-2257</b>	5720
E100WQX Commercial	1.6L - 99.6ci - 100 H.P.	99-98	United Tech System	UT	586284		<b>2-2257</b>	5720
E100WTL Commercial	1.6L - 99.6ci - 100 H.P.	97-92	United Tech System (10-Tooth)	UT	389954		<b>2-2079-UT</b>	5719
			United Tech System (10-Tooth)	UT	585057		<b>2-2166</b>	5722

Model	Engine	Year	Option	Mfg KW	OEM #	PART NO.	REF.
<b>EVINRUDE - continued</b>							
<b>Engines - Marine Outboard - continued</b>							
E100WTL Super	1.6L - 99.6ci - 100 H.P.	91-85	United Tech System (10-Tooth)	UT	389954	2-2079-UT	5719
			United Tech System (10-Tooth)	UT	585057	2-2166	5722
E100WTX Commercial	1.6L - 99.6ci - 100 H.P.	97-92	United Tech System (10-Tooth)	UT	389954	2-2079-UT	5719
			United Tech System (10-Tooth)	UT	585057	2-2166	5722
E100WTX Super	1.6L - 99.6ci - 100 H.P.	91-86	United Tech System (10-Tooth)	UT	389954	2-2079-UT	5719
			United Tech System (10-Tooth)	UT	585057	2-2166	5722
E105J	2.5L - 149.4ci - 105 H.P.	91	United Tech System	UT	432925	2-2162	5741
E105W	105 H.P.	01-99	United Tech System	UT	586284	2-2257	5720
E110ML	1.6L - 99.6ci - 110 H.P.	89-86	United Tech System (10-Tooth)	UT	389954	2-2079-UT	5719
E110TL	1.6L - 99.6ci - 110 H.P.	89-86	United Tech System (10-Tooth)	UT	389954	2-2079-UT	5719
E110TX	1.6L - 99.6ci - 110 H.P.	89-87	United Tech System (10-Tooth)	UT	389954	2-2079-UT	5719
E112TSL	1.6L - 99.6ci - 112 H.P.	86-94	United Tech System (10-Tooth)	UT	585057	2-2166	5722
E112TSX	1.6L - 99.6ci - 112 H.P.	96-94	United Tech System (10-Tooth)	UT	585057	2-2166	5722
E115 (Older Models)	1.6L - 99.6ci - 115 H.P.	79-73	United Tech System (10-Tooth)	UT	389954	2-2079-UT	5719
E115EL	1.7L - 105.4ci - 115 H.P.	98-95	United Tech System	UT	584980	2-2257	5720
E115F	1.7L - 105.4ci - 115 H.P.	06-98	United Tech System	UT	586287	2-2783-UT-2	5762
E115GL	1.7L - 105.4ci - 115 H.P.	98-95	United Tech System	UT	584980	2-2257	5720
E115J	1.6L - 99.6ci - 80 H.P.	93-91	80 HP Despite Odd #	UT	585057	2-2166	5722
E115JKL	1.6L - 99.6ci - 80 H.P.	95-94	80 HP Despite Odd #	UT	585057	2-2166	5722
E115JL	1.6L - 99.6ci - 80 H.P.	97-94	80 HP Despite Odd #	UT	585057	2-2166	5722
E115JTL	1.6L - 99.6ci - 80 H.P.	98	80 HP FIGHT	UT	586284	2-2257	5720
E115ML	1.6L - 99.6ci - 115 H.P.	94-90	United Tech System (10-Tooth)	UT	389954	2-2079-UT	5719
			United Tech System (10-Tooth)	UT	585057	2-2166	5722
		84-80	United Tech System (10-Tooth)	UT	389954	2-2079-UT	5719
E115SL	1.7L - 105.4ci - 115 H.P.	98-95	United Tech System	UT	584980	2-2257	5720
E115SX	1.7L - 105.4ci - 115 H.P.	98-95	United Tech System	UT	584980	2-2257	5720
E115TL	1.6L - 99.6ci - 115 H.P.	95-90	United Tech System (10-Tooth)	UT	389954	2-2079-UT	5719
			United Tech System (10-Tooth)	UT	585057	2-2166	5722
		85-80	United Tech System (10-Tooth)	UT	389954	2-2079-UT	5719
E115TSL	1.7L - 105.4ci - 115 H.P.	98-97	United Tech System	UT	585057	2-2166	5722
E115TSX	1.7L - 105.4ci - 115 H.P.	98-97	United Tech System	UT	585057	2-2166	5722
E115TX	1.6L - 99.6ci - 115 H.P.	95-90	United Tech System (10-Tooth)	UT	389954	2-2079-UT	5719
			United Tech System (10-Tooth)	UT	585057	2-2166	5722
		84-80	United Tech System (10-Tooth)	UT	389954	2-2079-UT	5719
E120TL	1.8L - 110ci - 120 H.P.	87-85	United Tech System (10-Tooth)	UT	393570	2-2159	5721
	2.0L - 122ci - 120 H.P.	94-88	United Tech System (10-Tooth)	UT	393570	2-2159	5721
E120TX	1.8L - 110ci - 120 H.P.	87-85	United Tech System (10-Tooth)	UT	393570	2-2159	5721
	2.0L - 122ci - 120 H.P.	94-88	United Tech System (10-Tooth)	UT	393570	2-2159	5721
E125 (Older Models)	1.8L - 110ci - 125 H.P.	77-73	United Tech System (10-Tooth)	UT	389954	2-2079-UT	5719
E125ES	125 H.P.	95-89	United Tech System (10-Tooth)	UT	393570	2-2159	5721
E130CX	2.0L - 122ci - 130 H.P.	95	United Tech System (10-Tooth)	UT	585060	2-2159	5721
E130TL	2.0L - 122ci - 130 H.P.	98-95	United Tech System (10-Tooth)	UT	585060	2-2159	5721
E130TX	2.0L - 122ci - 130 H.P.	98-95	United Tech System (10-Tooth)	UT	585060	2-2159	5721
E135 (Older Models)	2.0L - 122ci - 135 H.P.	77-73	United Tech System (10-Tooth)	UT	389954	2-2079-UT	5719
E135F	135 H.P.	06-00	United Tech System	UT	586287	2-2783-UT-2	5762
E140 (Older Models)	1.6L - 99.6ci - 140 H.P.	79-73	United Tech System (10-Tooth)	UT	389954	2-2079-UT	5719
E140CX	2.0L - 122ci - 140 H.P.	94-88	United Tech System (10-Tooth)	UT	393570	2-2159	5721
E140ML	1.6L - 99.6ci - 140 H.P.	80	United Tech System (10-Tooth)	UT	389954	2-2079-UT	5719
E140TL	1.6L - 99.6ci - 140 H.P.	84	United Tech System (10-Tooth)	UT	389954	2-2079-UT	5719
			United Tech System (10-Tooth)	UT	393570	2-2159	5721
		87-85	United Tech System (10-Tooth)	UT	393570	2-2159	5721
		94-88	United Tech System (10-Tooth)	UT	393570	2-2159	5721
E140TRL	1.6L - 99.6ci - 140 H.P.	83-80	United Tech System (10-Tooth)	UT	389954	2-2079-UT	5719
E140TRX	1.6L - 99.6ci - 140 H.P.	83-80	United Tech System (10-Tooth)	UT	389954	2-2079-UT	5719
E140TX	1.6L - 99.6ci - 140 H.P.	84	United Tech System (10-Tooth)	UT	389954	2-2079-UT	5719
			United Tech System (10-Tooth)	UT	393570	2-2159	5721
		87-85	United Tech System (10-Tooth)	UT	393570	2-2159	5721
		94-88	United Tech System (10-Tooth)	UT	393570	2-2159	5721
E150 (Older Models)	2.5L - 149.4ci - 150 H.P.	79-77	Prestolite System (8-Tooth)	UT	387094	2-2074-UT	5294
			United Tech System (8-Tooth)	UT	395207	2-2074-UT	5709

♦ See Buyer's Guide for Optional Units

# STARTERS

Model	Engine	Year	Option	Mfg	KW	OEM #	PART NO.	REF.
<b>EVINRUDE - continued</b>								
<b>Engines - Marine Outboard - continued</b>								
E150CX	2.5L - 149.4ci - 150 H.P.	91-88	Prestolite System (8-Tooth)	UT	387094		2-2074-UT	5294
			United Tech System (8-Tooth)	UT	395207		2-2074-UT	5709
E150EL	2.6L - 158ci - 150 H.P.	98-91	United Tech System	UT	432925		2-2162	5741
E150EX	2.6L - 158ci - 150 H.P.	98-91	United Tech System	UT	432925		2-2162	5741
E150F FICHT V6	2.6L - 158ci - 150 H.P.	06-97	United Tech System	UT	586287		2-2783-UT-2	5762
E150GL	2.6L - 158ci - 150 H.P.	98-91	United Tech System	UT	432925		2-2162	5741
E150JL	2.6L - 158ci - 105 H.P.	98-92	United Tech System	UT	432925		2-2162	5741
E150L INTRUDER FICHT V6	2.6L - 158ci - 150 H.P.	98	United Tech System	UT	438878		2-2783-UT-2	5762
E150NX	2.6L - 158ci - 150 H.P.	98-91	United Tech System	UT	432925		2-2162	5741
E150SL	2.6L - 158ci - 150 H.P.	98-96	United Tech System	UT	432925		2-2162	5741
E150STL	2.5L - 149.4ci - 150 H.P.	91-84	Prestolite System (8-Tooth)	UT	387094		2-2074-UT	5294
			United Tech System (8-Tooth)	UT	395207		2-2074-UT	5709
E150TL	2.5L - 149.4ci - 150 H.P.	91-84	Prestolite System (8-Tooth)	UT	387094		2-2074-UT	5294
			United Tech System (8-Tooth)	UT	395207		2-2074-UT	5709
E150TRL	2.5L - 149.4ci - 150 H.P.	83-80	Prestolite System (8-Tooth)	UT	387094		2-2074-UT	5294
			United Tech System (8-Tooth)	UT	395207		2-2074-UT	5709
E150TRX	2.5L - 149.4ci - 150 H.P.	83-80	Prestolite System (8-Tooth)	UT	387094		2-2074-UT	5294
			United Tech System (8-Tooth)	UT	395207		2-2074-UT	5709
E150TX	2.5L - 149.4ci - 150 H.P.	91-84	Prestolite System (8-Tooth)	UT	387094		2-2074-UT	5294
			United Tech System (8-Tooth)	UT	395207		2-2074-UT	5709
E150W	2.6L - 158ci - 150 H.P.	97-91	United Tech System	UT	432925		2-2162	5741
E155WTL	2.5L - 149.4ci - 155 H.P.	95-85	Prestolite System (8-Tooth)	UT	387094		2-2074-UT	5294
			United Tech System (8-Tooth)	UT	395207		2-2074-UT	5709
E155WTX	2.5L - 149.4ci - 155 H.P.	95-85	Prestolite System (8-Tooth)	UT	387094		2-2074-UT	5294
			United Tech System (8-Tooth)	UT	395207		2-2074-UT	5709
E175 (Older Models)	2.5L - 149.4ci - 175 H.P.	79-77	Prestolite System (8-Tooth)	UT	387094		2-2074-UT	5294
			United Tech System (8-Tooth)	UT	395207		2-2074-UT	5709
E175EX	2.6L - 158ci - 175 H.P.	98-91	United Tech System	UT	432925		2-2162	5741
E175F FICHT V6	2.6L - 158ci - 175 H.P.	06-98	United Tech System	UT	586287		2-2783-UT-2	5762
E175GL	2.6L - 158ci - 175 H.P.	98-91	United Tech System	UT	432925		2-2162	5741
E175NX	2.6L - 158ci - 175 H.P.	98-93	United Tech System	UT	432925		2-2162	5741
E175SL	2.6L - 158ci - 175 H.P.	98-95	United Tech System	UT	432925		2-2162	5741
E175STL	2.6L - 160.3ci - 175 H.P.	91-90	Prestolite System (8-Tooth)	UT	387094		2-2074-UT	5294
			United Tech System (8-Tooth)	UT	395207		2-2074-UT	5709
E175TL	2.6L - 160.3ci - 175 H.P.	89-86	Prestolite System (8-Tooth)	UT	387094		2-2074-UT	5294
			United Tech System (8-Tooth)	UT	395207		2-2074-UT	5709
E175TRL	2.5L - 149.4ci - 175 H.P.	83-80	Prestolite System (8-Tooth)	UT	387094		2-2074-UT	5294
			United Tech System (8-Tooth)	UT	395207		2-2074-UT	5709
E175TRX	2.5L - 149.4ci - 175 H.P.	83-80	Prestolite System (8-Tooth)	UT	387094		2-2074-UT	5294
			United Tech System (8-Tooth)	UT	395207		2-2074-UT	5709
E175TX	2.6L - 160.3ci - 175 H.P.	91-85	Prestolite System (8-Tooth)	UT	387094		2-2074-UT	5294
			United Tech System (8-Tooth)	UT	395207		2-2074-UT	5709
E185TL	2.5L - 149.4ci - 185 H.P.	85-84	Prestolite System (8-Tooth)	UT	387094		2-2074-UT	5294
			United Tech System (8-Tooth)	UT	395207		2-2074-UT	5709
E185TX	2.5L - 149.4ci - 185 H.P.	85-84	Prestolite System (8-Tooth)	UT	387094		2-2074-UT	5294
			United Tech System (8-Tooth)	UT	395207		2-2074-UT	5709
E200 (Older Models)	2.5L - 149.4ci - 200 H.P.	79-77	Prestolite System (8-Tooth)	UT	387094		2-2074-UT	5294
			United Tech System (8-Tooth)	UT	395207		2-2074-UT	5709
E200CX	3.0L - 183ci - 200 H.P.	98-88	United Tech System	UT	584799		2-2155	5723
E200CZ	3.0L - 183ci - 200 H.P.	95-93	United Tech System	UT	584799		2-2155	5723
E200F FICHT V6	3.0L - 183ci - 200 H.P.	01-99	United Tech System	UT	586411		2-2155	5723
E200SCL	3.0L - 183ci - 200 H.P.	90-88	United Tech System	UT	391511		2-2155	5723
E200STL	2.7L - 160.3ci - 200 H.P.	87-86	Prestolite System (8-Tooth)	UT	387094		2-2074-UT	5294
			United Tech System (8-Tooth)	UT	395207		2-2074-UT	5709
	3.0L - 183ci - 200 H.P.	98-88	United Tech System	UT	584799		2-2155	5723
E200TL	3.0L - 183ci - 200 H.P.	98-89	United Tech System	UT	584799		2-2155	5723
E200TRL	2.5L - 149.4ci - 200 H.P.	83-80	Prestolite System (8-Tooth)	UT	387094		2-2074-UT	5294
			United Tech System (8-Tooth)	UT	395207		2-2074-UT	5709

Model	Engine	Year	Option	Mfg KW	OEM #	PART NO.	REF.
<b>EVINRUDE - continued</b>							
<b>Engines - Marine Outboard - continued</b>							
E200TRX	2.5L - 149.4ci - 200 H.P.	83-80	Prestolite System (8-Tooth)	UT	387094	<b>2-2074-UT</b>	5294
			United Tech System (8-Tooth)	UT	395207	<b>2-2074-UT</b>	5709
E200TX	2.7L - 160.3ci - 200 H.P.	87	Prestolite System (8-Tooth)	UT	387094	<b>2-2074-UT</b>	5294
			United Tech System (8-Tooth)	UT	395207	<b>2-2074-UT</b>	5709
	3.0L - 183ci - 200 H.P.	98-88	United Tech System	UT	584799	<b>2-2155</b>	5723
E200TZ	3.0L - 183ci - 200 H.P.	95-93	United Tech System	UT	584799	<b>2-2155</b>	5723
E200W FIGHT V6	3.0L - 183ci - 200 H.P.	01-99	United Tech System	UT	586411	<b>2-2155</b>	5723
E225 (Older Models)	2.7L - 160.3ci - 225 H.P.	79-77	Prestolite System (8-Tooth)	UT	387094	<b>2-2074-UT</b>	5294
			United Tech System (8-Tooth)	UT	395207	<b>2-2074-UT</b>	5709
E225CL	2.7L - 160.3ci - 225 H.P.	87	Prestolite System (8-Tooth)	UT	387094	<b>2-2074-UT</b>	5294
			United Tech System (8-Tooth)	UT	395207	<b>2-2074-UT</b>	5709
	3.0L - 183ci - 225 H.P.	90-88	United Tech System	UT	391511	<b>2-2155</b>	5723
E225CX	2.7L - 160.3ci - 225 H.P.	87	Prestolite System (8-Tooth)	UT	387094	<b>2-2074-UT</b>	5294
			United Tech System (8-Tooth)	UT	395207	<b>2-2074-UT</b>	5709
	3.0L - 183ci - 225 H.P.	99-88	United Tech System	UT	584799	<b>2-2155</b>	5723
E225CZ	3.0L - 183ci - 225 H.P.	99-88	United Tech System	UT	584799	<b>2-2155</b>	5723
E225F FIGHT V6	3.0L - 183ci - 225 H.P.	01-99	United Tech System	UT	586411	<b>2-2155</b>	5723
E225PL	2.7L - 160.3ci - 225 H.P.	87	Prestolite System (8-Tooth)	UT	387094	<b>2-2074-UT</b>	5294
			United Tech System (8-Tooth)	UT	395207	<b>2-2074-UT</b>	5709
	3.0L - 183ci - 225 H.P.	94-88	United Tech System	UT	391511	<b>2-2155</b>	5723
E225PTL	2.7L - 160.3ci - 225 H.P.	86	Prestolite System (8-Tooth)	UT	387094	<b>2-2074-UT</b>	5294
			United Tech System (8-Tooth)	UT	395207	<b>2-2074-UT</b>	5709
E225PTX	2.7L - 160.3ci - 225 H.P.	86	Prestolite System (8-Tooth)	UT	387094	<b>2-2074-UT</b>	5294
			United Tech System (8-Tooth)	UT	395207	<b>2-2074-UT</b>	5709
E225PX	2.7L - 160.3ci - 225 H.P.	87	Prestolite System (8-Tooth)	UT	387094	<b>2-2074-UT</b>	5294
			United Tech System (8-Tooth)	UT	395207	<b>2-2074-UT</b>	5709
	3.0L - 183ci - 225 H.P.	94-88	United Tech System	UT	391511	<b>2-2155</b>	5723
E225PZ	3.0L - 183ci - 225 H.P.	94-93	United Tech System	UT	391511	<b>2-2155</b>	5723
E225STL	3.0L - 183ci - 225 H.P.	98-94	United Tech System	UT	584799	<b>2-2155</b>	5723
E225TL	2.7L - 160.3ci - 225 H.P.	87-86	Prestolite System (8-Tooth)	UT	387094	<b>2-2074-UT</b>	5294
			United Tech System (8-Tooth)	UT	395207	<b>2-2074-UT</b>	5709
	3.0L - 183ci - 225 H.P.	93-88	United Tech System	UT	391511	<b>2-2155</b>	5723
E225TX	2.7L - 160.3ci - 225 H.P.	87-86	Prestolite System (8-Tooth)	UT	387094	<b>2-2074-UT</b>	5294
			United Tech System (8-Tooth)	UT	395207	<b>2-2074-UT</b>	5709
	3.0L - 183ci - 225 H.P.	98-88	United Tech System	UT	584799	<b>2-2155</b>	5723
E225TZ	3.0L - 183ci - 225 H.P.	98-93	United Tech System	UT	584799	<b>2-2155</b>	5723
E235 (Older Models)	2.7L - 160.3ci - 235 H.P.	79-77	Prestolite System (8-Tooth)	UT	387094	<b>2-2074-UT</b>	5294
			United Tech System (8-Tooth)	UT	395207	<b>2-2074-UT</b>	5709
E235STL	2.7L - 160.3ci - 235 H.P.	85-84	Prestolite System (8-Tooth)	UT	387094	<b>2-2074-UT</b>	5294
			United Tech System (8-Tooth)	UT	395207	<b>2-2074-UT</b>	5709
E235TL	2.7L - 160.3ci - 235 H.P.	85-84	Prestolite System (8-Tooth)	UT	387094	<b>2-2074-UT</b>	5294
			United Tech System (8-Tooth)	UT	395207	<b>2-2074-UT</b>	5709
E235TRL	2.7L - 160.3ci - 235 H.P.	83-80	Prestolite System (8-Tooth)	UT	387094	<b>2-2074-UT</b>	5294
			United Tech System (8-Tooth)	UT	395207	<b>2-2074-UT</b>	5709
E235TRX	2.7L - 160.3ci - 235 H.P.	83-80	Prestolite System (8-Tooth)	UT	387094	<b>2-2074-UT</b>	5294
			United Tech System (8-Tooth)	UT	395207	<b>2-2074-UT</b>	5709
E235TX	2.7L - 160.3ci - 235 H.P.	85-84	Prestolite System (8-Tooth)	UT	387094	<b>2-2074-UT</b>	5294
			United Tech System (8-Tooth)	UT	395207	<b>2-2074-UT</b>	5709
E250CX	4.0L - 244ci - 250 H.P.	98-91	United Tech System	UT	584799	<b>2-2155</b>	5723
E250CZ	4.0L - 244ci - 250 H.P.	95-93	United Tech System	UT	584799	<b>2-2155</b>	5723
E250F	250 H.P.	01-00	United Tech System	UT	586411	<b>2-2155</b>	5723
E250TX	4.0L - 244ci - 250 H.P.	98-91	United Tech System	UT	584799	<b>2-2155</b>	5723
E250TZ	4.0L - 244ci - 250 H.P.	95-93	United Tech System	UT	584799	<b>2-2155</b>	5723
E275CL	3.6L - 220ci - 275 H.P.	88-87	United Tech System	UT	391511	<b>2-2155</b>	5723
E275CX	3.6L - 220ci - 275 H.P.	88-87	United Tech System	UT	391511	<b>2-2155</b>	5723
E275PL	3.6L - 220ci - 275 H.P.	88-87	United Tech System	UT	391511	<b>2-2155</b>	5723
E275PTL	3.6L - 220ci - 275 H.P.	86	United Tech System	UT	391511	<b>2-2155</b>	5723
E275PTX	3.6L - 220ci - 275 H.P.	86	United Tech System	UT	391511	<b>2-2155</b>	5723
E275PX	3.6L - 220ci - 275 H.P.	88-87	United Tech System	UT	391511	<b>2-2155</b>	5723

◆ See Buyer's Guide for Optional Units



# STARTERS

Model	Engine	Year	Option	Mfg	KW	OEM #	PART NO.	REF.
<b>EVINRUDE - continued</b>								
<b>Engines - Marine Outboard - continued</b>								
E275TL	3.6L - 220ci - 275 H.P.	85	United Tech System	UT		391511	<b>2-2155</b>	5723
E275TX	3.6L - 220ci - 275 H.P.	85	United Tech System	UT		391511	<b>2-2155</b>	5723
E300CL	3.6L - 220ci - 300 H.P.	87	United Tech System	UT		391511	<b>2-2155</b>	5723
	4.0L - 244ci - 300 H.P.	90-88	United Tech System	UT		391511	<b>2-2155</b>	5723
E300CX	3.6L - 220ci - 300 H.P.	87	United Tech System	UT		391511	<b>2-2155</b>	5723
	4.0L - 244ci - 300 H.P.	95-88	United Tech System	UT		584799	<b>2-2155</b>	5723
E300PL	4.0L - 244ci - 300 H.P.	95-87	United Tech System	UT		584799	<b>2-2155</b>	5723
E300PTL	3.6L - 220ci - 300 H.P.	86	United Tech System	UT		391511	<b>2-2155</b>	5723
E300PX	3.6L - 220ci - 300 H.P.	87	United Tech System	UT		391511	<b>2-2155</b>	5723
	4.0L - 244ci - 300 H.P.	95-88	United Tech System	UT		391511	<b>2-2155</b>	5723
E300TL	3.6L - 220ci - 300 H.P.	85	United Tech System	UT		391511	<b>2-2155</b>	5723

## FARYMAN

### Engines - Marine

15A	0.2L Diesel	85-On	Bosch System (2-Bolt)	BO	.95	0-001-211-993	<b>2-1340-BO ♦</b>	16450
15D	0.3L Diesel	85-On	Bosch System (2-Bolt)	BO	.95	0-001-211-993	<b>2-1340-BO ♦</b>	16450
18A	0.3L Diesel	84-78	Bosch System (2-Bolt)	BO	.95	0-001-211-993	<b>2-1340-BO ♦</b>	16450
18C	0.3L Diesel	84-78	Bosch System (2-Bolt)	BO	.95	0-001-211-993	<b>2-1340-BO ♦</b>	16450
18D	0.3L Diesel	85-On	Bosch System (2-Bolt)	BO	.95	0-001-211-993	<b>2-1340-BO ♦</b>	16450
29C	0.5L Diesel	85-On	Bosch System (2-Bolt)	BO	.95	0-001-211-993	<b>2-1340-BO ♦</b>	16450

## FLAGSHIP

### Inboard & Sterndrive

Corvette		63-59	w/CCW	DR		1107696	<b>2-2908-DR</b>	4287
----------	--	-------	-------	----	--	---------	------------------	------

## FORCE

### Engines - Marine Outboard

40EL	40 H.P.	99-95	United Tech Starter	UT		5676940-M030SM	<b>2-2164</b>	5738
		94-93	UT Starter (Serial #9500-936499)	UT		5676940-M030SM	<b>2-2164</b>	5738
			UT Starter (To Serial #9499)	UT		5274040-M030SM	<b>2-2165</b>	5729
40ELPT	40 H.P.	99-95	United Tech Starter	UT		5676940-M030SM	<b>2-2164</b>	5738
		94-93	UT Starter (Serial #9500-936499)	UT		5676940-M030SM	<b>2-2164</b>	5738
			UT Starter (To Serial #9499)	UT		5274040-M030SM	<b>2-2165</b>	5729
50EL	50 H.P.	99-93	United Tech Starter	UT		5676940-M030SM	<b>2-2164</b>	5738
50ELPT	50 H.P.	99-93	United Tech Starter	UT		5676940-M030SM	<b>2-2164</b>	5738
75EL	75 H.P.	99-98	UT Starter (Serial #OE318772-On)	UT		5667640-M030SM	<b>2-2156</b>	5734
75ELPT	75 H.P.	99-98	UT Starter (Serial #OE318772-On)	UT		5667640-M030SM	<b>2-2156</b>	5734
85LD9 L-DRIVE	85 H.P.	89	United Tech Starter	UT		4412040-M030SM	<b>2-2082-UT</b>	5732
90EL	90 H.P.	94-93	UT Starter (Std.)	UT		4412040-M030SM	<b>2-2082-UT</b>	5732
90ELPT	90 H.P.	99-98	UT Starter (Serial #OE318772-On)	UT		5667640-M030SM	<b>2-2156</b>	5734
		94-93	UT Starter (Std.)	UT		4412040-M030SM	<b>2-2082-UT</b>	5732
90EXLPT	90 H.P.	99-98	UT Starter (Serial #OE318772-On)	UT		5667640-M030SM	<b>2-2156</b>	5734
		94-93	UT Starter (Std.)	UT		4412040-M030SM	<b>2-2082-UT</b>	5732
90LD9 L-DRIVE	90 H.P.	91-90	United Tech Starter	UT		4412040-M030SM	<b>2-2082-UT</b>	5732
120ELPT	120 H.P.	99-98	United Tech Starter	UT		5667640-M030SM	<b>2-2156</b>	5734
120EXLPT	120 H.P.	99-98	United Tech Starter	UT		5667640-M030SM	<b>2-2156</b>	5734
120LD9 L-DRIVE	120 H.P.	92-90	United Tech Starter	UT		4412040-M030SM	<b>2-2082-UT</b>	5732
125LD9 L-DRIVE	125 H.P.	89-86	United Tech Starter	UT		4412040-M030SM	<b>2-2082-UT</b>	5732
150ELPT	150 H.P.	94-93	UT Starter (Std.)	UT		4412040-M030SM	<b>2-2082-UT</b>	5732
150EXLPT	150 H.P.	94-93	UT Starter (Std.)	UT		4412040-M030SM	<b>2-2082-UT</b>	5732
357F	35 H.P.	89-86	Prestolite Starter	PL		MDO4108A	<b>2-3148-UT</b>	5396
			United Tech Starter	UT		4411940-M030SM	<b>2-3147-UT</b>	5727
407F / 408F	40 H.P.	92	United Tech Starter	UT		5274040-M030SM	<b>2-2165</b>	5729
504	50 H.P.	89-88	United Tech Starter	UT		4411940-M030SM	<b>2-3147-UT</b>	5727
507	50 H.P.	92	UT Starter (Serial #9500-936499)	UT		5676940-M030SM	<b>2-2164</b>	5738
			UT Starter (To Serial #9499)	UT		5274040-M030SM	<b>2-2165</b>	5729
		91-84	United Tech Starter	UT		4411940-M030SM	<b>2-3147-UT</b>	5727
508	50 H.P.	92	UT Starter (Serial #9500-936499)	UT		5676940-M030SM	<b>2-2164</b>	5738
			UT Starter (To Serial #9499)	UT		5274040-M030SM	<b>2-2165</b>	5729
		91-87	United Tech Starter	UT		4411940-M030SM	<b>2-3147-UT</b>	5727
853	85 H.P.	89-88	United Tech Starter	UT		4412040-M030SM	<b>2-2082-UT</b>	5732

♦ See Buyer's Guide for Optional Units

Model	Engine	Year	Option	Mfg KW	OEM #	PART NO.	REF.
<b>FORCE - continued</b>							
<b>Engines - Marine Outboard - continued</b>							
854	85 H.P.	89-88	United Tech Starter	UT	4412040-M030SM	2-2082-UT	5732
856	85 H.P.	89-83	United Tech Starter	UT	4412040-M030SM	2-2082-UT	5732
858	85 H.P.	89-87	United Tech Starter	UT	4412040-M030SM	2-2082-UT	5732
903F	90 H.P.	92-91	UT Starter (Std.)	UT	4412040-M030SM	2-2082-UT	5732
		90	United Tech Starter	UT	4412040-M030SM	2-2082-UT	5732
906F	90 H.P.	92-91	UT Starter (Std.)	UT	4412040-M030SM	2-2082-UT	5732
		90	United Tech Starter	UT	4412040-M030SM	2-2082-UT	5732
908F	90 H.P.	92-91	UT Starter (Std.)	UT	4412040-M030SM	2-2082-UT	5732
		90	United Tech Starter	UT	4412040-M030SM	2-2082-UT	5732
1201	120 H.P.	92-90	UT Starter (Std.)	UT	4412040-M030SM	2-2082-UT	5732
1208	120 H.P.	92-90	UT Starter (Std.)	UT	4412040-M030SM	2-2082-UT	5732
1251	125 H.P.	89-86	United Tech Starter	UT	4412040-M030SM	2-2082-UT	5732
		84-83	United Tech Starter	UT	4412040-M030SM	2-2082-UT	5732
1253	125 H.P.	89-86	United Tech Starter	UT	4412040-M030SM	2-2082-UT	5732
1254	125 H.P.	89-86	United Tech Starter	UT	4412040-M030SM	2-2082-UT	5732
1258	125 H.P.	89-86	United Tech Starter	UT	4412040-M030SM	2-2082-UT	5732
		84-83	United Tech Starter	UT	4412040-M030SM	2-2082-UT	5732
1501	150 H.P.	92-90	UT Starter (Std.)	UT	4412040-M030SM	2-2082-UT	5732
1503	150 H.P.	89	UT Starter (Std.)	UT	4412040-M030SM	2-2082-UT	5732
1508	150 H.P.	92-89	UT Starter (Std.)	UT	4412040-M030SM	2-2082-UT	5732
<b>FORD</b>							
<b>Engines - Marine</b>							
Various Models	Ford Engines	All	2 3/8" Ext. Into Flywheel; CCW; B+ Stud	FD		2-2901-FD ♦	3134
			2 3/8" Ext. Into Flywheel; CCW; B+ Tab	FD		2-2901-FD ♦	3143
			2 3/8" Ext. Into Flywheel; CW; B+ Stud	FD		2-2900-FD	3162
			2 3/8" Ext. Into Flywheel; CW; B+ Tab	FD		2-2900-FD	3182
			2 3/8" Ext.; Threaded Ear; CCW; B+ Stud	FD		2-2903-FD	3140
			2 3/8" Ext.; Threaded Ear; CCW; B+ Tab	FD		2-2903-FD	3141
			2 3/8" Ext.; Threaded Ear; CW; B+ Stud	FD		2-2902-FD	3159
			2 3/8" Ext.; Threaded Ear; CW; B+ Tab	FD		2-2902-FD	3159A
		4" MOD; 3-Bolt; CW	FD		2-2751-FD-2	3183	
<b>Skid Steer Loaders</b>							
CL25	Shibaura Diesel	86-83	Hitachi System	HI 1.2	S114-381	2-2007-HI	17300
<b>Tractors - Compact</b>							
1000	2-77 Shibaura Diesel	78-73	Hitachi System	HI 1.8	SBA18508-6052	2-2317-HI	17331
1120	3-53 Shibaura Diesel	94-87	Denso System	ND 0.9	SBA18508-6340	2-1032-ND	17366
1215	3-54 Shibaura Diesel	98-93	Denso System	ND 0.9	SBA18508-6340	2-1032-ND	17366
1220	3-58 Shibaura Diesel	98-87	Denso System	ND 0.9	SBA18508-6340	2-1032-ND	17366
1310	3-58 Shibaura Diesel	86-83	Hitachi System	HI 1.2	SBA18508-6321	2-2007-HI	17300
1320	3-77 Shibaura Diesel	98-87	Replacement (9-Tooth Drive)	MI 1.7	SBA18508-6551	2-2569-MI	18395
1500	2cyl Shibaura Diesel	82-79	Hitachi System	HI 1.8	SBA18508-6052	2-2317-HI	17331
1510	3-68 Shibaura Diesel	86-83	Hitachi System	HI 1.2	SBA18508-6321	2-2007-HI	17300
1520	3-81 Shibaura Diesel	97-87	Replacement (9-Tooth Drive)	MI 1.7	SBA18508-6551	2-2569-MI	18395
1530	3-81 Shibaura Diesel	98-96	Replacement (9-Tooth Drive)	MI 1.7	SBA18508-6551	2-2569-MI	18395
1600	2-77 Shibaura Diesel	79-76	Hitachi System	HI 1.8	SBA18508-6052	2-2317-HI	17331
1620	3-81 Shibaura Diesel	79-76	Replacement (9-Tooth Drive)	MI 1.7	SBA18508-6551	2-2569-MI	18395
1630	3-81 Shibaura Diesel	99-97	Replacement (9-Tooth Drive)	MI 1.7	SBA18508-6551	2-2569-MI	18395
1700	2-78 Shibaura Diesel	82-79	Hitachi System	HI 1.8	SBA18508-6052	2-2317-HI	17331
1710	3-85 Shibaura Diesel	87-83	Mitsubishi System	MI 1.7	SBA18508-6551	2-2569-MI	18395
1715	3-81 Shibaura Diesel	97-93	Replacement (9-Tooth Drive)	MI 1.7	SBA18508-6551	2-2569-MI	18395
1720	3-91 Shibaura Diesel	02-87	Replacement (9-Tooth Drive)	MI 1.7	SBA18508-6551	2-2569-MI	18395
1725	3-81 Shibaura Diesel	98-96	Mitsubishi System	MI 1.7	SBA18508-6551	2-2569-MI	18395
1920	4-122 Shibaura Diesel	02-97	Denso (12/1/96-On)	ND 2.0	SBA18508-6530	2-2732-ND-2	18139
		96-94	Denso (6/30/93 - 11/30/96)	ND 2.0	SBA18508-6520	2-2732-ND-2	18139
		93	Denso (6/30/93 - 11/30/96)	ND 2.0	SBA18508-6520	2-2732-ND-2	18139
1925	3-91 Shibaura Diesel	98-96	Replacement (9-Tooth Drive)	MI 1.7	SBA18508-6551	2-2569-MI	18395
3415	4-135 Shibaura Diesel	02-93	Denso (12/1/96-On)	ND 2.0	SBA18508-6530	2-2732-ND-2	18139
			Denso (6/30/93 - 11/30/96)	ND 2.0	SBA18508-6520	2-2732-ND-2	18139

♦ See Buyer's Guide for Optional Units

# STARTERS

Model	Engine	Year	Option	Mfg	KW	OEM #	PART NO.	REF.
-------	--------	------	--------	-----	----	-------	----------	------

## GENERAC

<b>Engines</b>								
0D9708		All	Delco System	DR	10455515		2-2782-DR-2	6759
0E3342		All	Delco System	DR	10455515		2-2782-DR-2	6759
0E6219		All	Delco System	DR	10455515		2-2782-DR-2	6759
0E6221		All	Delco System	DR	10455515		2-2782-DR-2	6759
GT760		All	Delco System	DR	10455515		2-2782-DR-2	6759
GT990		All	Delco System	DR	10455515		2-2782-DR-2	6759
GTH760		All	Delco System	DR	10455515		2-2782-DR-2	6759
GTH990		All	Delco System	DR	10455515		2-2782-DR-2	6759
GTV760		All	Delco System	DR	10455515		2-2782-DR-2	6759
GTV990		All	Delco System	DR	10455515		2-2782-DR-2	6759

### Generator Sets

Various Models	Air Cooled V-Twin Engine	All	15-Tooth; w/Steel Gear	BS	72881		2-2407	5776
			16-Tooth; w/Nylon Gear	BS	75255		2-2191	5746

## GRASSHOPPER

<b>Tractors - Lawn</b>								
225	Kohler 25HP	All	Delco System	DR	10455513		2-2022-DR	6744
321D	Kubota 20.9HP Dsl	All	Mitsubishi System	MI 0.7	M3T33481		2-2090-MI	18162
325	Kubota 24.5HP Gas	All	Mitsubishi System	MI	M2T42381		2-1445-MI	16791
720K	Kohler 20HP	All	Delco System	DR	10455513		2-2022-DR	6744
721D	Kubota 20.9HP Dsl	All	Mitsubishi System	MI 0.7	M3T33481		2-2090-MI	18162
725	Kubota 24.5HP Gas	All	Mitsubishi System	MI	M2T42381		2-1445-MI	16791
725G	Kubota 24.5HP Gas	All	Mitsubishi System	MI	M2T42381		2-1445-MI	16791
725K	Kohler 25HP	All	Delco System	DR	10455513		2-2022-DR	6744

## GRAVELY

<b>Tractors - Lawn</b>								
152Z	Kawasaki 23HP	All	Denso System	ND 0.6	228000-7990		2-2945-ND	18266
160Z	Kawasaki 23HP	All	Denso System	ND 0.6	228000-7990		2-2945-ND	18266
250Z	Kawasaki 19HP	All	Denso System	ND 0.6	228000-7990		2-2945-ND	18266
	Kawasaki 23HP	All	Denso System	ND 0.6	228000-7990		2-2945-ND	18266
260Z	Kawasaki 25HP	All	Denso System	ND 0.6	228000-7990		2-2945-ND	18266
272Z	Kawasaki 25HP	All	Denso System	ND 0.6	228000-7990		2-2945-ND	18266
PM310	Kawasaki 23HP	All	Denso System	ND 0.6	228000-7990		2-2945-ND	18266
	Kohler 25HP	All	Denso System	ND 0.6	228000-7990		2-2945-ND	18266
PM460	Kubota 30HP Dsl	All	Denso System	ND 1.2	228000-0981		2-2658-ND	18400

## GRAY

<b>Inboard &amp; Stern Drive</b>								
112		68-66	w/CW	DR	1107320		2-1592-DR ♦	3664
162		68-66	w/CW	DR	1107320		2-1592-DR ♦	3664
226		68-66	w/CW	DR	1107320		2-1592-DR ♦	3664
232		68-66	w/CW	DR	1107320		2-1592-DR ♦	3664
287		68-66	w/CW	DR	1107320		2-1592-DR ♦	3664
91		68-66	w/CW	DR	1107320		2-1592-DR ♦	3664

## HARDIN

<b>Stern Drives</b>								
454	8cyl, 454ci, 7.4L	70-On		DR	1107365		2-1595-DR	3560
455	8cyl, 455ci, 7.5L	65-On		DR	1108387		2-1608-DR-1	3697

## HARLEY DAVIDSON

<b>Motorcycles</b>								
FL Series (Pre 1977)	All	76-41	Prestolite System	PL	31458-66A		2-1766-HD ♦	5780
FLH Electra Glide	1200cc	80-75		PL	31458-66A		2-1766-HD ♦	5780
		84-83	Hitachi System	HI	31570-73		2-1767-HD ♦	18300
	1340cc	82-79	Prestolite System	PL	31458-66A		2-1766-HD ♦	5780
FLH Electra Glide Anniv.	1200cc	78	Prestolite System	PL	31458-66A		2-1766-HD ♦	5780
FLH Electra Glide Classic	1200cc	77	Prestolite System	PL	31458-66A		2-1766-HD ♦	5780
	1340cc	80-79	Prestolite System	PL	31458-66A		2-1766-HD ♦	5780
FLH Electra Glide Special	1340cc	84	Hitachi System	HI	31570-73		2-1767-HD ♦	18300

Model	Engine	Year	Option	Mfg KW	OEM #	PART NO.	REF.
<b>HARLEY DAVIDSON - continued</b>							
<b>Motorcycles - continued</b>							
FLHC Electra Glide Classic	1340cc	82	Hitachi System	HI	31570-73	2-1767-HD ♦	18300
		81	Prestolite System	PL	31458-66A	2-1766-HD ♦	5780
FLHF Sport Glide II	1340cc	82	Prestolite System	PL	31458-66A	2-1766-HD ♦	5780
FLHR Electra Road King	1340cc	95-94	Denso System	ND 1.4	31553-94	2-1931-ND ♦	18199
FLHR Road King	1340cc	98-96	Denso System	ND 1.4	31553-94	2-1931-ND ♦	18199
	1450cc	06-99	Denso System	ND 1.4	31553-94	2-1931-ND ♦	18199
	1584cc	07	Denso System	ND 1.4	31619-06	2-2861-ND	18905
FLHRC Road King Classic	1584cc	07	Denso System	ND 1.4	31619-06	2-2861-ND	18905
FLHRCI Road King Classic	1340cc	98	Denso System	ND 1.4	31553-94	2-1931-ND ♦	18199
	1450cc	06-99	Denso System	ND 1.4	31553-94	2-1931-ND ♦	18199
FLHRCI Road King Classic Anniv.	1340cc	98	Denso System	ND 1.4	31553-94	2-1931-ND ♦	18199
FLHRI Firefighter Special Edition	1450cc	06-02	Denso System	ND 1.4	31553-94	2-1931-ND ♦	18199
FLHRI Police Special Edition	1450cc	06-02	Denso System	ND 1.4	31553-94	2-1931-ND ♦	18199
FLHRI Road King	1340cc	97-96	Denso System	ND 1.4	31553-94	2-1931-ND ♦	18199
	1450cc	06-00	Denso System	ND 1.4	31553-94	2-1931-ND ♦	18199
FLHRS Road King Custom	1450cc	06-04	Denso System	ND 1.4	31553-94	2-1931-ND ♦	18199
	1584cc	07	Denso System	ND 1.4	31619-06	2-2861-ND	18905
FLHRSEI Screamin' Eagle	1550cc	02	Denso System	ND 1.4	31553-94	2-1931-ND ♦	18199
FLHRSI Road King Custom	1450cc	06-04	Denso System	ND 1.4	31553-94	2-1931-ND ♦	18199
FLHS	1340cc	84	Hitachi System	HI	31570-73	2-1767-HD ♦	18300
FLHS Electra Glide Sport	1340cc	93-91		ND 1.4	31553-90	2-2169-ND ♦	17629
		90-89	Denso System	ND 1.2	31570-89A	2-1791-ND	17617
		88-87	Hitachi System	HI	31570-73	2-1767-HD ♦	18300
FLHS Sport Glide	1200cc	77	Prestolite System	PL	31458-66A	2-1766-HD ♦	5780
	1340cc	82-80	Prestolite System	PL	31458-66A	2-1766-HD ♦	5780
FLHS Super Glide	1340cc	83	Hitachi System	HI	31570-73	2-1767-HD ♦	18300
FLHT Electra Glide	1340cc	98-95	Denso System	ND 1.4	31553-94	2-1931-ND ♦	18199
		87-83		HI	31570-73	2-1767-HD ♦	18300
	1450cc	06-99	Denso System	ND 1.4	31553-94	2-1931-ND ♦	18199
	1584cc	07	Denso System	ND 1.4	31619-06	2-2861-ND	18905
FLHT Electra Glide Classic	1340cc	83	Hitachi System	HI	31570-73	2-1767-HD ♦	18300
FLHT1 Electra Glide	1450cc	05-03	Denso System	ND 1.4	31553-94	2-1931-ND ♦	18199
FLHTC	1340cc	89	Denso System	ND 1.2	31570-89A	2-1791-ND	17617
FLHTC Classic	1340cc	98-94	Denso System	ND 1.4	31553-94	2-1931-ND ♦	18199
		93-91	Denso System	ND 1.4	31553-90	2-2169-ND ♦	17629
		90-89	Denso System	ND 1.2	31570-89A	2-1791-ND	17617
	1450cc	99	Denso System	ND 1.4	31553-94	2-1931-ND ♦	18199
FLHTC Classic Anniv.	1340cc	93	Denso System	ND 1.4	31553-90	2-2169-ND ♦	17629
FLHTC Electra Glide	1340cc	88-84	Hitachi System	HI	31570-73	2-1767-HD ♦	18300
FLHTC Electra Glide Classic	1340cc	84	Hitachi System	HI	31570-73	2-1767-HD ♦	18300
	1450cc	06-00	Denso System	ND 1.4	31553-94	2-1931-ND ♦	18199
	1584cc	07	Denso System	ND 1.4	31619-06	2-2861-ND	18905
FLHTC Liberty	1340cc	86	Hitachi System	HI	31570-73	2-1767-HD ♦	18300
FLHTC Tour Glide Classic	1340cc	83	Hitachi System	HI	31570-73	2-1767-HD ♦	18300
FLHTC Ultra	1340cc	89	Denso System	ND 1.2	31570-89A	2-1791-ND	17617
FLHTCI Classic	1340cc	98-96	Denso System	ND 1.4	31553-94	2-1931-ND ♦	18199
	1450cc	99	Denso System	ND 1.4	31553-94	2-1931-ND ♦	18199
FLHTCI Electra Glide Classic	1450cc	06-00	Denso System	ND 1.4	31553-94	2-1931-ND ♦	18199
FLHTCI Electra Glide Classic Anniv.	1340cc	98	Denso System	ND 1.4	31553-94	2-1931-ND ♦	18199
FLHTCI Firefighter Special Edition	1450cc	05-02	Denso System	ND 1.4	31553-94	2-1931-ND ♦	18199
FLHTCI Police Special Edition	1450cc	05-02	Denso System	ND 1.4	31553-94	2-1931-ND ♦	18199
FLHTCU Firefighter Special Edition	1584cc	07	Denso System	ND 1.4	31619-06	2-2861-ND	18905
FLHTCU Police Special Edition	1584cc	07	Denso System	ND 1.4	31619-06	2-2861-ND	18905
FLHTCU Ultra	1340cc	90	Denso System	ND 1.2	31570-89A	2-1791-ND	17617
FLHTCU Ultra Anniv.	1340cc	93	Denso System	ND 1.4	31553-90	2-2169-ND ♦	17629
FLHTCU Ultra Clasic	1340cc	97-94	Denso System	ND 1.4	31553-94	2-1931-ND ♦	18199
		93-91	Denso System	ND 1.4	31553-90	2-2169-ND ♦	17629
FLHTCU-I Anniv.	1340cc	95	Denso System	ND 1.4	31553-94	2-1931-ND ♦	18199
FLHTCUI Firefighter Special Edition	1450cc	06-02	Denso System	ND 1.4	31553-94	2-1931-ND ♦	18199

♦ See Buyer's Guide for Optional Units

# STARTERS

Model	Engine	Year	Option	Mfg	KW	OEM #	PART NO.	REF.
<b>HARLEY DAVIDSON - continued</b>								
<b>Motorcycles - continued</b>								
FLHTCUI Police Special Edition	1450cc	06-02	Denso System	ND	1.4	31553-94	2-1931-ND ♦	18199
FLHTCUI Ultra Clasic	1340cc	98-95	Denso System	ND	1.4	31553-94	2-1931-ND ♦	18199
FLHTCUI Ultra Clasic Anniv.	1340cc	98	Denso System	ND	1.4	31553-94	2-1931-ND ♦	18199
FLHTCUI Ultra Classic	1450cc	06-99	Denso System	ND	1.4	31553-94	2-1931-ND ♦	18199
FLHTP Police	1340cc	89	Denso System	ND	1.2	31570-89	2-1791-ND	17617
		88-85	Hitachi System	HI		31570-73	2-1767-HD ♦	18300
FLHX	1340cc	84	Hitachi System	HI		31570-73	2-1767-HD ♦	18300
FLHX Street Glide	1450cc	06	Denso System	ND	1.4	31553-94	2-1931-ND ♦	18199
	1584cc	07	Denso System	ND	1.4	31619-06	2-2861-ND	18905
FLST	1340cc	86	Hitachi System	HI		31570-73	2-1767-HD ♦	18300
FLST Heritage Softail	1340cc	90-89	Denso System	ND	1.2	31570-89A	2-1791-ND	17617
		88-87	Hitachi System	HI		31570-73	2-1767-HD ♦	18300
FLSTC	1340cc	89	Denso System	ND	1.2	31570-89A	2-1791-ND	17617
		88	Hitachi System	HI		31570-73	2-1767-HD ♦	18300
FLSTC Firefighter Special Edition	1584cc	07	Denso System	ND	1.4	31619-06	2-2861-ND	18905
FLSTC Heritage Softail Classic	1340cc	99-94	Denso System	ND	1.4	31553-94	2-1931-ND ♦	18199
		93-91	Denso System	ND	1.4	31553-90	2-2169-ND ♦	17629
		90	Denso System	ND	1.2	31570-89A	2-1791-ND	17617
	1450cc	06-00	Denso System	ND	1.4	31553-94	2-1931-ND ♦	18199
	1584cc	07	Denso System	ND	1.4	31619-06	2-2861-ND	18905
FLSTC Police Special Edition	1584cc	07	Denso System	ND	1.4	31619-06	2-2861-ND	18905
FLSTCI Firefighter Special Edition	1450cc	06-05	Denso System	ND	1.4	31553-94	2-1931-ND ♦	18199
FLSTCI Heritage Softail Classic	1450cc	02-01	Denso System	ND	1.4	31553-94	2-1931-ND ♦	18199
FLSTCI Police Special Edition	1450cc	06-05	Denso System	ND	1.4	31553-94	2-1931-ND ♦	18199
FLSTF Fat Boy	1340cc	99-94	Denso System	ND	1.4	31553-94	2-1931-ND ♦	18199
		93-91	Denso System	ND	1.4	31553-90	2-2169-ND ♦	17629
	1584cc	90	Denso System	ND	1.2	31570-89A	2-1791-ND	17617
		07	Denso System	ND	1.4	31619-06	2-2861-ND	18905
FLSTF Fat Boy Anniv.	1340cc	98	Denso System	ND	1.4	31553-94	2-1931-ND ♦	18199
FLSTF Fat Boy Softail	1450cc	06-00	Denso System	ND	1.4	31553-94	2-1931-ND ♦	18199
FLSTFI Fat Boy Softail	1450cc	02-01	Denso System	ND	1.4	31553-94	2-1931-ND ♦	18199
FLSTFI Firefighter Special Edition	1450cc	06-05	Denso System	ND	1.4	31553-94	2-1931-ND ♦	18199
FLSTFI Police Special Edition	1450cc	06-05	Denso System	ND	1.4	31553-94	2-1931-ND ♦	18199
FLSTN Heritage Nostalgia	1340cc	93	Denso System	ND	1.4	31553-90	2-2169-ND ♦	17629
FLSTN Heritage Softail Special	1340cc	96-94	Denso System	ND	1.4	31553-94	2-1931-ND ♦	18199
FLSTN Softail Deluxe	1450cc	06-05	Denso System	ND	1.4	31553-94	2-1931-ND ♦	18199
	1584cc	07	Denso System	ND	1.4	31619-06	2-2861-ND	18905
FLSTS Heritage Softail Spr. Anniv.	1340cc	98	Denso System	ND	1.4	31553-94	2-1931-ND ♦	18199
FLSTS Heritage Softail Springer	1340cc	99-97	Denso System	ND	1.4	31553-94	2-1931-ND ♦	18199
	1450cc	03-00	Denso System	ND	1.4	31553-94	2-1931-ND ♦	18199
FLSTSC Heritage Softail Springer Classic	1450cc	06-05	Denso System	ND	1.4	31553-94	2-1931-ND ♦	18199
	1584cc	07	Denso System	ND	1.4	31619-06	2-2861-ND	18905
FLSTSI Heritage Softail Springer	1450cc	02-01	Denso System	ND	1.4	31553-94	2-1931-ND ♦	18199
FLT Tour Glide	1340cc	83	Hitachi Unit - From Mid-1983 Only	HI		31570-73	2-1767-HD ♦	18300
			Prestolite Unit - To Mid 1983 (Painted)	PL		31458-66A	2-1766-HD ♦	5780
		82-80	Prestolite Unit (Black Enamel Paint)	PL		31458-66A	2-1766-HD ♦	5780
FLTC Tour Glide	1340cc	87-84	Hitachi System	HI		31570-73	2-1767-HD ♦	18300
FLTC Tour Glide Classic	1340cc	91	Denso System	ND	1.4	31553-90	2-2169-ND ♦	17629
		90-89	Denso System	ND	1.2	31570-89A	2-1791-ND	17617
		88-82	Hitachi System	HI		31570-73	2-1767-HD ♦	18300
		81	Prestolite System	PL		31458-66A	2-1766-HD ♦	5780
FLTC Ultra	1340cc	89	Denso System	ND	1.2	31570-89A	2-1791-ND	17617
FLTCU Ultra	1340cc	91	Denso System	ND	1.4	31553-90	2-2169-ND ♦	17629
		90	Denso System	ND	1.2	31570-89A	2-1791-ND	17617
FLTCU Ultra Tour Glide Anniv.	1340cc	93	Denso System	ND	1.4	31553-90	2-2169-ND ♦	17629
FLTCU Ultra Tour Glide Classic	1340cc	95-94	Denso System	ND	1.4	31553-94	2-1931-ND ♦	18199
		93-92	Denso System	ND	1.4	31553-90	2-2169-ND ♦	17629
FLTCUI Ultra Tour Glide Classic	1340cc	96	Denso System	ND	1.4	31553-94	2-1931-ND ♦	18199

♦ See Buyer's Guide for Optional Units

Model	Engine	Year	Option	Mfg	KW	OEM #	PART NO.	REF.
<b>HARLEY DAVIDSON - continued</b>								
<b>Motorcycles - continued</b>								
FLTR Road Glide	1340cc	98	Denso System	ND	1.4	31553-94	2-1931-ND ♦	18199
	1450cc	02-99	Denso System	ND	1.4	31553-94	2-1931-ND ♦	18199
	1584cc	07	Denso System	ND	1.4	31619-06	2-2861-ND	18905
FLTRI Road Glide	1340cc	98	Denso System	ND	1.4	31553-94	2-1931-ND ♦	18199
	1450cc	06-99	Denso System	ND	1.4	31553-94	2-1931-ND ♦	18199
FLTRI Road Glide Anniv.	1340cc	98	Denso System	ND	1.4	31553-94	2-1931-ND ♦	18199
FLTRSEI	1450cc	00	Denso System	ND	1.4	31553-94	2-1931-ND ♦	18199
FLTRSEI2	1450cc	01	Denso System	ND	1.4	31553-94	2-1931-ND ♦	18199
FX Super Glide	1200cc	78-75	With Electric Start	HI		31570-73	2-1767-HD ♦	18300
FXB Sturgis	1340cc	82-80	Hitachi System	HI		31570-73	2-1767-HD ♦	18300
FXD Dyna Super Glide	1340cc	98-95	Denso System	ND	1.4	31553-94	2-1931-ND ♦	18199
	1450cc	06-99	Denso System	ND	1.4	31553-94	2-1931-ND ♦	18199
	1584cc	07	Denso System	ND	1.4	31619-06	2-2861-ND	18905
FXD35 Super Golden Anniversary	1450cc	06	Denso System	ND	1.4	31553-94	2-1931-ND ♦	18199
FXDB Dyna Daytona	1340cc	92	Denso System	ND	1.4	31553-90	2-2169-ND ♦	17629
FXDB Dyna Sturgis	1340cc	91	Denso System	ND	1.4	31553-90	2-2169-ND ♦	17629
FXDBI Dyna Street Bob	1450cc	06	Denso System	ND	1.4	31553-94	2-1931-ND ♦	18199
	1584cc	07	Denso System	ND	1.4	31619-06	2-2861-ND	18905
FXDC Dyna Custom	1340cc	92	Denso System	ND	1.4	31553-90	2-2169-ND ♦	17629
FXDC Dyna Super Glide Custom	1450cc	06-05	Denso System	ND	1.4	31553-94	2-1931-ND ♦	18199
	1584cc	07	Denso System	ND	1.4	31619-06	2-2861-ND	18905
FXDG Disc Glide	1340cc	83	Hitachi System	HI		31570-73	2-1767-HD ♦	18300
FXDL Dyna Glide	1340cc	94	Denso System	ND	1.4	31553-94	2-1931-ND ♦	18199
FXDL Dyna Low Rider	1340cc	98-94	Denso System	ND	1.4	31553-94	2-1931-ND ♦	18199
		93	Denso System	ND	1.4	31553-90	2-2169-ND ♦	17629
	1450cc	06-99	Denso System	ND	1.4	31553-94	2-1931-ND ♦	18199
	1584cc	07	Denso System	ND	1.4	31619-06	2-2861-ND	18905
FXDS Conv. Dyna Low Rider	1340cc	95-94	Denso System	ND	1.4	31553-94	2-1931-ND ♦	18199
FXDS-CONV Dyna Conv.	1340cc	98-96	Denso System	ND	1.4	31553-94	2-1931-ND ♦	18199
	1450cc	02-99	Denso System	ND	1.4	31553-94	2-1931-ND ♦	18199
FXDWG Dyna Wide Glide	1340cc	98-94	Denso System	ND	1.4	31553-94	2-1931-ND ♦	18199
		93	Denso System	ND	1.4	31553-90	2-2169-ND ♦	17629
	1450cc	06-99	Denso System	ND	1.4	31553-94	2-1931-ND ♦	18199
	1584cc	07	Denso System	ND	1.4	31619-06	2-2861-ND	18905
FXDWG Dyna Wide Glide Anniv.	1340cc	98	Denso System	ND	1.4	31553-94	2-1931-ND ♦	18199
		93	Denso System	ND	1.4	31553-90	2-2169-ND ♦	17629
FXDWG2	1450cc	01	Denso System	ND	1.4	31553-94	2-1931-ND ♦	18199
FXDWG3	1450cc	02	Denso System	ND	1.4	31553-94	2-1931-ND ♦	18199
FXDX Dyna Super Glide Sport	1450cc	05-99	w/Denso (Wrinkle Finish Paint)	ND	1.4	31702-98	2-1931-ND	18199WF
FXDXT Spr. Glid. T-Sport	1450cc	03-01	w/Denso (Wrinkle Finish Paint)	ND	1.4	31702-98	2-1931-ND	18199WF
FXE Super Glide	1200cc	80-75	With Electric Start	HI		31570-73	2-1767-HD ♦	18300
	1340cc	84-81	Hitachi System	HI		31570-73	2-1767-HD ♦	18300
FXEF Fat Bob	1200cc	79	With Electric Start	HI		31570-73	2-1767-HD ♦	18300
	1340cc	81-79	Hitachi System	HI		31570-73	2-1767-HD ♦	18300
FXEF Super Glide Fat Bob	1340cc	85-84	Hitachi System	HI		31570-73	2-1767-HD ♦	18300
FXLR Low Rider Custom	1340cc	94	Denso System	ND	1.4	31553-94	2-1931-ND ♦	18199
		93-91	Denso System	ND	1.4	31553-90	2-2169-ND ♦	17629
		90-89	Denso System	ND	1.2	31570-89A	2-1791-ND	17617
		88-87	Hitachi System	HI		31570-73	2-1767-HD ♦	18300
FXLR Low Rider Custom Anniv.	1340cc	93	Denso System	ND	1.4	31553-90	2-2169-ND ♦	17629
FXR Super Glide	1340cc	94	Denso System	ND	1.4	31553-94	2-1931-ND ♦	18199
		93-91	Denso System	ND	1.4	31553-90	2-2169-ND ♦	17629
		90-89	Denso System	ND	1.2	31570-89A	2-1791-ND	17617
		88-87	Hitachi System	HI		31570-73	2-1767-HD ♦	18300
FXR Super Glide II	1340cc	86-84	Hitachi Starter	HI		31570-73	2-1767-HD ♦	18300
		83	Hitachi Starter	HI		31570-73	2-1767-HD ♦	18300
			Prestolite Starter (Black)	PL		31458-66A	2-1766-HD ♦	5780
		82	Prestolite Starter (Black)	PL		31458-66A	2-1766-HD ♦	5780
FXR2	1340cc	99	Denso System	ND	1.4	31553-94	2-1931-ND ♦	18199

♦ See Buyer's Guide for Optional Units

# STARTERS

Model	Engine	Year	Option	Mfg	KW	OEM #	PART NO.	REF.
<b>HARLEY DAVIDSON - continued</b>								
<i>Motorcycles - continued</i>								
FXR3	1340cc	99	Denso System	ND	1.4	31553-94	2-1931-ND ♦	18199
FXR4	1450cc	00	Denso System	ND	1.4	31553-94	2-1931-ND ♦	18199
FXRC Low Glide Custom	1340cc	87-85	Hitachi System	HI		31570-73	2-1767-HD ♦	18300
FXRD GT	1340cc	86	Hitachi Starter	HI		31570-73	2-1767-HD ♦	18300
FXRDG	1340cc	84	Hitachi Starter	HI		31570-73	2-1767-HD ♦	18300
FXRP Police	1340cc	89	Denso System	ND	1.2	31570-89	2-1791-ND	17617
		88-85	Hitachi System	HI		31570-73	2-1767-HD ♦	18300
FXRS Conv.	1340cc	90-89	Denso System	ND	1.2	31570-89A	2-1791-ND	17617
FXRS Conv. LR	1340cc	93-91	Denso System	ND	1.4	31553-90	2-2169-ND ♦	17629
FXRS Low Rider	1340cc	92-91	Denso System	ND	1.4	31553-90	2-2169-ND ♦	17629
		90-89	Denso System	ND	1.2	31570-89A	2-1791-ND	17617
		88-84	Hitachi Starter	HI		31570-73	2-1767-HD ♦	18300
		86	Hitachi Starter	HI		31570-73	2-1767-HD ♦	18300
FXRS Low Rider Liberty	1340cc	86	Hitachi Starter	HI		31570-73	2-1767-HD ♦	18300
FXRS Low Rider Sport	1340cc	88-86	Hitachi Starter	HI		31570-73	2-1767-HD ♦	18300
FXRS Super Glide II	1340cc	83-82	Prestolite Starter (Black)	PL		31458-66A	2-1766-HD ♦	5780
			Hitachi Starter	HI		31570-73	2-1767-HD ♦	18300
FXRS-SP Low Rider Sport	1340cc	93-91	Denso System	ND	1.4	31553-90	2-2169-ND ♦	17629
		90-89	Denso System	ND	1.2	31570-89A	2-1791-ND	17617
FXRT Sport Glide	1340cc	92-91	Denso System	ND	1.4	31553-90	2-2169-ND ♦	17629
		90-89	Denso System	ND	1.2	31570-89A	2-1791-ND	17617
		88-83	Hitachi Starter	HI		31570-73	2-1767-HD ♦	18300
FXS Low Rider	1340cc	82-79	Hitachi System	HI		31570-73	2-1767-HD ♦	18300
	1200cc	78-77	With Electric Start	HI		31570-73	2-1767-HD ♦	18300
FXSB Low Rider	1340cc	85-83	Hitachi System	HI		31570-73	2-1767-HD ♦	18300
FXST Softail	1340cc	99	Denso System	ND	1.4	31553-94	2-1931-ND ♦	18199
		90-89	Denso System	ND	1.2	31570-89A	2-1791-ND	17617
		88-84	Hitachi System	HI		31570-73	2-1767-HD ♦	18300
FXST Softail Standard	1450cc	06-00	Denso System	ND	1.4	31553-94	2-1931-ND ♦	18199
	1584cc	07	Denso System	ND	1.4	31619-06	2-2861-ND	18905
FXSTB Night Train	1340cc	99	w/Denso (Wrinkle Finish Paint)	ND	1.4	31702-98	2-1931-ND	18199Wf
FXSTB Softail Night Train	1450cc	06-00	w/Denso (Wrinkle Finish Paint)	ND	1.4	31702-98	2-1931-ND	18199Wf
	1584cc	07	Denso System	ND	1.4	31619-06	2-2861-ND	18905
FXSTBI Softail Night Train	1450cc	02-01	w/Denso (Wrinkle Finish Paint)	ND	1.4	31702-98	2-1931-ND	18199Wf
FXSTC Softail Custom	1340cc	99-94	Denso System	ND	1.4	31553-94	2-1931-ND ♦	18199
		93-91	Denso System	ND	1.4	31553-90	2-2169-ND ♦	17629
		90-89	Denso System	ND	1.2	31570-89A	2-1791-ND	17617
		87-86	Hitachi System	HI		31570-73	2-1767-HD ♦	18300
	1584cc	07	Denso System	ND	1.4	31619-06	2-2861-ND	18905
FXSTD Softail Duece	1450cc	06-00	Denso System	ND	1.4	31553-94	2-1931-ND ♦	18199
	1584cc	07	Denso System	ND	1.4	31619-06	2-2861-ND	18905
FXSTDI Softail Duece	1450cc	02-01	Denso System	ND	1.4	31553-94	2-1931-ND ♦	18199
FXSTI Softail Standard	1450cc	02-01	w/Black Texture Paint	ND	1.4	31553-94	2-1931-ND ♦	18199
FXSTS Springer Softail	1340cc	99-94	Denso System	ND	1.4	31553-94	2-1931-ND ♦	18199
		93-91	Denso System	ND	1.4	31553-90	2-2169-ND ♦	17629
		90-89	Denso System	ND	1.2	31570-89A	2-1791-ND	17617
		88	Hitachi System	HI		31570-73	2-1767-HD ♦	18300
	1450cc	06-00	Denso System	ND	1.4	31553-94	2-1931-ND ♦	18199
1584cc	07	Denso System	ND	1.4	31619-06	2-2861-ND	18905	
FXSTSB Bad Boy Softail	1340cc	97-95	Denso System	ND	1.4	31553-94	2-1931-ND ♦	18199
FXSTSI Springer Softail	1450cc	02-01	Denso System	ND	1.4	31553-94	2-1931-ND ♦	18199
FXWG Wide Glide	1340cc	86-80	Hitachi System	HI		31570-73	2-1767-HD ♦	18300
XLGH Sportster	1000cc	78-75	Prestolite System	PL		31458-66A	2-1766-HD ♦	5780
XLGR Cafe Racer	1000cc	78-77		PL		31458-66A	2-1766-HD ♦	5780
XLH Sportster	1000cc	85-81	Prestolite Starter	PL		31458-66A	2-1766-HD ♦	5780
		80-75		PL		31458-66A	2-1766-HD ♦	5780
XLH Sportster Anniv.	1000cc	78	Prestolite System	PL		31458-66A	2-1766-HD ♦	5780
XLH Touring	1000cc	77	Prestolite System	PL		31458-66A	2-1766-HD ♦	5780
XLHA Sportster Anniv.	1000cc	82	Denso Starter	PL		31458-66A	2-1766-HD ♦	5780
			Prestolite Starter	PL		31458-66A	2-1766-HD ♦	5780

♦ See Buyer's Guide for Optional Units

Model	Engine	Year	Option	Mfg KW	OEM #	PART NO.	REF.
<b>HARLEY DAVIDSON - continued</b>							
<b>Motorcycles - continued</b>							
XLS Roadster	1000cc	85-81	Prestolite Starter	PL	31458-66A	2-1766-HD ♦	5780
		80-79	Prestolite Starter	PL	31458-66A	2-1766-HD ♦	5780
XLSA Roadster Anniv.	1000cc	82	Prestolite Starter	PL	31458-66A	2-1766-HD ♦	5780
XLX-61	1000cc	85-83	Prestolite Starter	PL	31458-66A	2-1766-HD ♦	5780
XR1000	1000cc	84-83	Prestolite Starter	PL	31458-66A	2-1766-HD ♦	5780
<b>HINO</b>							
<b>Inboard &amp; Sterndrive</b>							
WO4CTA	4cyl, 234ci, 3.8L	97-90		ND 2.5	128000-5090	2-2709-ND-2	17292
WO4CTI	4cyl, 234ci, 3.8L	97-90		ND 2.5	128000-5090	2-2709-ND-2	17292
WO6DTA	6cyl, 351ci, 5.7L	97-90		ND 2.5	128000-5090	2-2709-ND-2	17292
WO6DTI	6cyl, 351ci, 5.7L	97-90		ND 2.5	128000-5090	2-2709-ND-2	17292
<b>HONDA</b>							
<b>All-Terrain Vehicle (ATV)</b>							
ATC250ES Big Red	246cc	87	Mitsuba System	MT	31200-HA0-774	2-2181-MT	18337
			Mitsuba System	MT	31200-HC4-023	2-2181-MT	18337
		86-85	Denso System	ND	31200-HA0-682	2-2180-MT	18341
ATC250SX	246cc	87	Mitsuba System	MT	31200-HA0-774	2-2181-MT	18337
			Mitsuba System	MT	31200-HA6-306	2-2181-MT	18337
		86-85	Denso System	ND	31200-HA0-682	2-2180-MT	18341
FL350R Odyssey	329cc	85	Mitsuba System	MT	31200-VM0-003	2-2745-MT-2	18604
FL400RK Pilot	397cc	90-89	Mitsuba System	MT	31200-HE0-003	2-2185-MT	18338
TRX200	199cc	91-90	Mitsuba System	MT	31200-HF1-013	2-2897-MT	18605
TRX200D	199cc	97-91	Mitsuba System	MT	31200-HF1-013	2-2897-MT	18605
TRX250 Fourtrax	246cc	87	Denso System	MT	31200-HA0-774	2-2181-MT	18337
			Mitsuba System	MT	31200-HC4-023	2-2181-MT	18337
		86-85	Denso System	ND	31200-HA0-682	2-2180-MT	18341
TRX250 Recon	229cc	01	Mitsuba System	MT	31200-HM8-A41	2-2178-MT	18336
		00-97	Mitsuba System	MT	31200-HM8-003	2-2178-MT	18336
TRX250EX Sportrax	229cc	08-03	Mitsuba System	MT	31200-HM8-A41	2-2178-MT	18336
			Mitsuba System	MT	31200-HM8-003	2-2178-MT	18336
		01	Mitsuba System	MT	31200-HM8-A41	2-2178-MT	18336
TRX250TE Fourtrax Recon ES	229cc	07-02	Mitsuba System	MT	31200-HM8-A41	2-2178-MT	18336
TRX250TM Fourtrax Recon	229cc	07-02	Mitsuba System	MT	31200-HM8-A41	2-2178-MT	18336
TRX300	281cc	00-88	Mitsuba System	MT	31200-HC4-033	2-2181-MT	18337
TRX300EX	281cc	08-93	Mitsuba System	MT	31200-HM3-671	2-2184-MT	18329
TRX300FW	281cc	00-88	Mitsuba System	MT	31200-HC4-033	2-2181-MT	18337
TRX350	350cc	87	Mitsuba System	MT	31200-HA7-771	2-2182-MT	18339
			Mitsuba System	MT	31200-HA7-772	2-2182-MT	18339
		86	Mitsuba System	MT	31200-HA7-305	2-2179-MT	18335
			Mitsuba System	MT	31200-HA7-315	2-2179-MT	18335
TRX350D	350cc	89-87	Mitsuba System	MT	31200-HA7-771	2-2182-MT	18339
			Mitsuba System	MT	31200-HA7-772	2-2182-MT	18339
TRX350FE Rancher 4x4 ES	329cc	06-03	Mitsuba System	MT	31200-HN5-M01	2-2764-MT-2	18607
		02	Mitsuba System	MT	31200-HN5-A81	2-2764-MT-2	18607
		01-00	Mitsuba System	MT	31200-HN5-671	2-2764-MT-2	18607
TRX350FM Rancher	329cc	06-03	Mitsuba System	MT	31200-HN5-M01	2-2764-MT-2	18607
		02	Mitsuba System	MT	31200-HN5-A81	2-2764-MT-2	18607
		01-00	Mitsuba System	MT	31200-HN5-671	2-2764-MT-2	18607
TRX350TE Rancher	329cc	06-03	Mitsuba System	MT	31200-HN5-M01	2-2764-MT-2	18607
		02	Mitsuba System	MT	31200-HN5-A81	2-2764-MT-2	18607
		01-00	Mitsuba System	MT	31200-HN5-671	2-2764-MT-2	18607
TRX350TM Rancher	329cc	06-03	Mitsuba System	MT	31200-HN5-M01	2-2764-MT-2	18607
		02	Mitsuba System	MT	31200-HN5-A81	2-2764-MT-2	18607
		01-00	Mitsuba System	MT	31200-HN5-671	2-2764-MT-2	18607
TRX400EX SporTrax 400 EX	397cc	04-02	Mitsuba System	MT	31200-HN1-000	2-2798-MT-2	18608
TRX400EX FourTrax 400 EX	397cc	01-99	Mitsuba System	MT	31200-HN1-000	2-2798-MT-2	18608
TRX400FA FourTrax Rancher AT	397cc	07-04	Mitsuba System	MT	31200-HN7-003	2-2799-MT-2	18683

♦ See Buyer's Guide for Optional Units



# STARTERS

Model	Engine	Year	Option	Mfg	KW	OEM #	PART NO.	REF.
-------	--------	------	--------	-----	----	-------	----------	------

## HONDA - continued

### All-Terrain Vehicle (ATV) - continued

TRX400FGA FourTrax Rancher AT	397cc	07-04	Mitsuba System	MT		31200-HN7-003	2-2799-MT-2	18683
TRX400FW FourTrax Foreman 4x4	395cc	03-02	Mitsuba System	MT		31200-HM7-A41	2-2543-MT-2	18638
TRX450FE FourTrax Foreman ES	433cc	04-02	Mitsuba System	MT		31200-HM7-A41	2-2543-MT-2	18638
TRX450FM FourTrax Foreman S	433cc	04-02	Mitsuba System	MT		31200-HM7-A41	2-2543-MT-2	18638
TRX500FA FourTrax Foreman Rubicon	499cc	03-01	Mitsuba System	MT		31200-HN2-003	2-2791-MT-2	18610
TRX500FE FourTrax Foreman 4x4 ES	475cc	09-05	Mitsuba System	MT		31200-HM7-A41	2-2543-MT-2	18638
TRX500FM FourTrax Foreman 4x4	475cc	09-05	Mitsuba System	MT		31200-HM7-A41	2-2543-MT-2	18638
TRX500FPA FourTrax Rincon GPS	475cc	09	Mitsuba System	MT		31200-HM7-A41	2-2543-MT-2	18638
TRX500FPE FourTrax Foreman 4x4	475cc	09-07	Mitsuba System	MT		31200-HM7-A41	2-2543-MT-2	18638
TRX500FPM FourTrax Foreman 4x4	475cc	09-08	Mitsuba System	MT		31200-HM7-A41	2-2543-MT-2	18638
TRX500TM FourTrax Foreman	475cc	06-05	Mitsuba System	MT		31200-HM7-A41	2-2543-MT-2	18638

### Engines - Marine Outboard

BF35	35 H.P.	97		HI		31200-ZV5-0130	2-2316-HI	18317
		96-95		HI		31200-ZV5-0130	2-2316-HI	18317
BF40	40 H.P.	06-98		HI		31200-ZV5-0130	2-2316-HI	18317
		96-95		HI		31200-ZV5-0130	2-2316-HI	18317
BF45	45 H.P.	97		HI		31200-ZV5-0130	2-2316-HI	18317
		96-95		HI		31200-ZV5-0130	2-2316-HI	18317
BF50	50 H.P.	06-95		HI		31200-ZV5-0130	2-2316-HI	18317
BF75	75 H.P.	06-97	Mitsubishi System	MI 1.2		31200-ZW1-004	2-2665-MI	19602
BF90	90 H.P.	06-97	Mitsubishi System	MI 1.2		31200-ZW1-004	2-2665-MI	19602
BF115	115 H.P.	06-99	Mitsubishi System	MI 1.4		31200-ZW5-003	2-2664-MI	19603
BF130	130 H.P.	04-99	Mitsubishi System	MI 1.4		31200-ZW5-003	2-2664-MI	19603

### Motorcycles

GL1100 Gold Wing	1084cc	82-80	Mitsuba System	MT		31200-463-405	2-2208	18600
GL1100A Gold Wing Aspencade	1084cc	83-82	Mitsuba System	MT		31200-463-405	2-2208	18600
GL1100I Gold Wing Interstate	1084cc	83-80	Mitsuba System	MT		31200-463-405	2-2208	18600
GL1200 Gold Wing	1181cc	84	Mitsuba System	MT		31200-MG9-004	2-2759-MT-2	18627
GL1200A Gold Wing Aspencade	1181cc	87-85	Mitsuba System	MT		31200-MG9-681	2-2275	18628
		84	Mitsuba System	MT		31200-MG9-004	2-2759-MT-2	18627
GL1200I Gold Wing Interstate	1181cc	87-85	Mitsuba System	MT		31200-MG9-681	2-2275	18628
		84	Mitsuba System	MT		31200-MG9-004	2-2759-MT-2	18627
GL1200L Gold Wing LTD	1181cc	85	Mitsuba System	MT		31200-MG9-681	2-2275	18628
GL1200SEI Gold Wing Aspencade	1181cc	86	Mitsuba System	MT		31200-MG9-681	2-2275	18628
PC800 Pacific Coast	800cc	98-94	Mitsuba System	MT		31200-MR5-028	2-2895-MT	18656
		90-89	Mitsuba System	MT		31200-MR5-018	2-2895-MT	18656
VF700C Magna	699cc	87	Mitsuba System	MT		31200-MN0-008	2-2964	18660
		86-84	Mitsuba System	MT		31200-MB0-405	2-2964	18660
VF700S Sabre	699cc	85-84	Mitsuba System	MT		31200-MB0-405	2-2964	18660
VF750C Magna	748cc	88	Mitsuba System	MT		31200-MN0-018	2-2964	18660
VF750C V45 Magna	748cc	83-82	Mitsuba System	MT		31200-MB0-405	2-2964	18660
VF750S V45 Sabre	748cc	83-82	Mitsuba System	MT		31200-MB0-405	2-2964	18660
VT1100C Shadow	1099cc	07-04	Mitsuba System	MT		31200-MCK-U51	2-2895-MT	18656
		03-95	Mitsuba System	MT		31200-MR5-038	2-2895-MT	18656
		94-92	Mitsuba System	MT		31200-MAA-008	2-2896-MT	18631
		90-86	Mitsuba System	MT		31200-MG8-018	2-2896-MT	18631
		85	Mitsuba System	MT		31200-MG8-008	2-2896-MT	18631
VT1100C2 Shadow Sabre	1099cc	07-04	Mitsuba System	MT		31200-MCK-U51	2-2895-MT	18656

### Personal Watercraft (PWC)

AQUATRAX F-12	1235cc	07-02	Mitsuba System	MT		31200-HW1-671	2-2273	18431
AQUATRAX F-12X	1235cc	07-02	Mitsuba System	MT		31200-HW1-671	2-2273	18431
AQUATRAX F-12X GPSCAPE	1235cc	07-05	Mitsuba System	MT		31200-HW1-671	2-2273	18431
AQUATRAX R-12	1235cc	06-04	Mitsuba System	MT		31200-HW1-671	2-2273	18431
AQUATRAX R-12X	1235cc	07-03	Mitsuba System	MT		31200-HW1-671	2-2273	18431

### Small Engines

Honda 5.5HP	#GX160QXE2	All	Mitsuba System	MT		31210-ZE1-023	2-2742-MT-2	18524
Honda 9.9HP	#GX270QAE2	All	Denso System	ND 0.4		31200-ZH9-003	2-2942-ND	18984
Honda 11HP	#GX340DE33	All	Denso System	ND 0.6		31200-ZA1-003	2-2641-ND	18350
	#GX340QAE2	All	Denso System	ND 0.5		31210-ZE3-013	2-2688-ND	18513

♦ See Buyer's Guide for Optional Units

Model	Engine	Year	Option	Mfg KW	OEM #	PART NO.	REF.
<b>HONDA - continued</b>							
<b>Small Engines - continued</b>							
Honda 11HP	#GX340QNE2	All	Denso System	ND 0.5	31210-ZE3-013	<b>2-2688-ND</b>	18513
	#GX340VXE2	All	Denso System	ND 0.5	31210-ZE3-013	<b>2-2688-ND</b>	18513
Honda 13HP	#GXV390SE33	All	Denso System	ND 0.6	31200-ZA1-003	<b>2-2641-ND</b>	18350
Honda 18HP	#GX610	All	UT System	UT	31200-ZJ1-004	<b>2-2663-UT</b>	5918
	#GXV610	All	UT System	UT	31200-ZJ1-004	<b>2-2663-UT</b>	5918
Honda 20HP	#GX620	All	UT System	UT	31200-ZJ1-004	<b>2-2663-UT</b>	5918
	#GXV620	All	UT System	UT	31200-ZJ1-004	<b>2-2663-UT</b>	5918
Honda 24HP	#GX670	All	Denso System	ND	31200-ZJ1-841	<b>2-2747-ND-2</b>	18985
	#GXV670	All	Denso System	ND	31200-ZJ4-831	<b>2-2944-ND</b>	18986
Honda GXV340			UT System	UT	31200-ZF5-L32	<b>2-2946</b>	5917
Honda GXV390			UT System	UT	31200-ZF5-L32	<b>2-2946</b>	5917

## JACOBSEN

### Tractors - Lawn

T-422D	Kubota D950	85-On	Denso System	ND 0.8	028000-7460	<b>2-1421-ND</b>	17354
--------	-------------	-------	--------------	--------	-------------	------------------	-------

## JACUZZI JET

### Stern Drives

454	8cyl, 454ci, 7.4L	70-On	Delco System	DR	1107365	<b>2-1595-DR</b>	3560
455	8cyl, 455ci, 7.5L	65-On	Delco System	DR	1108387	<b>2-1608-DR-1</b>	3697

## JOHN DEERE

### Engines - Marine

4039DFM	4cyl, 239ci, 3.9L	All	OSGR; 11-Tooth Drive	ND 2.7	028000-8400	<b>2-1750-ND</b>	17362
			OSGR; 13-Tooth Drive	ND 2.7	228000-6470	<b>2-1750-ND</b>	17362A
			OSGR; 10-Tooth Drive	ND 2.5	128000-8290	<b>2-2926-ND</b>	17630
			DD; 10-Tooth Drive	DR	1107871	<b>50-8422</b>	4000
			DD; 10-Tooth Drive	DR	1109251	<b>50-8422</b>	4960
			28MT; 10-Tooth; Dry Clutch	DR	1113271	<b>50-8422</b>	6570
			28MT; 10-Tooth; Wet Clutch; w/Grd Hole	DR	10479628	<b>50-8438</b>	6601
			DD; 10-T; w/Ground Stud In CE Plate	ND 4.0	228000-2370	<b>2-2043-ND</b>	18008
			OSGR; 11-T; wo/Ground Stud	ND 5.5	228000-6552	<b>2-2973-ND</b>	18455
			28MT; 10-Tooth; 24V; Wet Clutch	DR	1113272	<b>50-8430</b>	6596
			DD; 10-T; w/Ground Stud In CE Plate	ND 4.0	228000-2370	<b>2-2043-ND</b>	18008
			OSGR; 11-T; wo/Ground Stud	ND 5.5	228000-6552	<b>2-2973-ND</b>	18455
4045DFM50	4cyl, 276ci, 4.5L	All	OSGR; 11-T; wo/Ground Stud in DE Hsg	ND 4.0	228000-6532	<b>2-2726-ND-2</b>	18018
			OSGR; 11-Tooth Drive	ND 2.7	028000-8400	<b>2-1750-ND</b>	17362
			OSGR; 13-Tooth Drive	ND 2.7	228000-6470	<b>2-1750-ND</b>	17362A
			28MT; 10-Tooth; Wet Clutch; w/Grd Hole	DR	10479628	<b>50-8438</b>	6601
			28MT; 10-Tooth; 24V; Wet Clutch	DR	1113272	<b>50-8430</b>	6596
			OSGR; 11-T; wo/Ground Stud	ND 5.5	228000-6552	<b>2-2973-ND</b>	18455
			OSGR; 10-Tooth Drive	ND 2.5	128000-8290	<b>2-2926-ND</b>	17630
			OSGR; 11-T; wo/Ground Stud in DE Hsg	ND 4.0	228000-6532	<b>2-2726-ND-2</b>	18018
4045DFM70	4cyl, 276ci, 4.5L	07-04	OSGR; 11-Tooth Drive	ND 2.7	028000-8400	<b>2-1750-ND</b>	17362
			OSGR; 13-Tooth Drive	ND 2.7	228000-6470	<b>2-1750-ND</b>	17362A
			28MT; 10-Tooth; Dry Clutch	DR	1113271	<b>50-8422</b>	6570
			28MT; 10-Tooth; Wet Clutch; w/Grd Hole	DR	10479628	<b>50-8438</b>	6601
			28MT; 10-Tooth; 24V; Wet Clutch	DR	1113272	<b>50-8430</b>	6596
			OSGR; 10-Tooth Drive	ND 2.5	128000-8290	<b>2-2926-ND</b>	17630
			OSGR; 11-Tooth Drive	ND 2.7	028000-8400	<b>2-1750-ND</b>	17362
			OSGR; 13-Tooth Drive	ND 2.7	228000-6470	<b>2-1750-ND</b>	17362A
4045TFM	4cyl, 276ci, 4.5L	All	OSGR; 11-Tooth Drive	ND 2.7	028000-8400	<b>2-1750-ND</b>	17362
			OSGR; 13-Tooth Drive	ND 2.7	228000-6470	<b>2-1750-ND</b>	17362A
			OSGR; 10-Tooth Drive	ND 2.5	128000-8290	<b>2-2926-ND</b>	17630
			DD; 10-Tooth Drive	DR	1107871	<b>50-8422</b>	4000
			DD; 10-Tooth Drive	DR	1109251	<b>50-8422</b>	4960
			28MT; 10-Tooth; Dry Clutch	DR	1113271	<b>50-8422</b>	6570
			28MT; 10-Tooth; Wet Clutch; w/Grd Hole	DR	10479628	<b>50-8438</b>	6601
			DD; 10-T; w/Ground Stud In CE Plate	ND 4.0	228000-2370	<b>2-2043-ND</b>	18008
			OSGR; 11-T; wo/Ground Stud	ND 5.5	228000-6552	<b>2-2973-ND</b>	18455
			28MT; 10-Tooth; 24V; Wet Clutch	DR	1113272	<b>50-8430</b>	6596
			DD; 10-T; w/Ground Stud In CE Plate	ND 4.0	228000-2370	<b>2-2043-ND</b>	18008
			OSGR; 11-T; wo/Ground Stud	ND 5.5	228000-6552	<b>2-2973-ND</b>	18455

◆ See Buyer's Guide for Optional Units

# STARTERS

Model	Engine	Year	Option	Mfg	KW	OEM #	PART NO.	REF.
<b>JOHN DEERE - continued</b>								
<b>Engines - Marine - continued</b>								
4045TFM50	4cyl, 276ci, 4.5L	All	OSGR; 11-T; wo/Ground Stud in DE Hsg	ND	4.0	228000-6532	<b>2-2726-ND-2</b>	18018
			OSGR; 11-Tooth Drive	ND	2.7	028000-8400	<b>2-1750-ND</b>	17362
			OSGR; 13-Tooth Drive	ND	2.7	228000-6470	<b>2-1750-ND</b>	17362A
			OSGR; 10-Tooth Drive	ND	2.5	128000-8290	<b>2-2926-ND</b>	17630
4045TFM75	4cyl, 276ci, 4.5L	07-04	OSGR; 11-T; wo/Ground Stud in DE Hsg	ND	4.0	228000-6532	<b>2-2726-ND-2</b>	18018
			OSGR; 11-Tooth Drive	ND	2.7	028000-8400	<b>2-1750-ND</b>	17362
			OSGR; 13-Tooth Drive	ND	2.7	228000-6470	<b>2-1750-ND</b>	17362A
			28MT; 10-Tooth; Dry Clutch	DR		1113271	<b>50-8422</b>	6570
			28MT; 10-Tooth; Wet Clutch; w/Grd Hole	DR		10479628	<b>50-8438</b>	6601
			28MT; 10-Tooth; 24V; Wet Clutch	DR		1113272	<b>50-8430</b>	6596
			OSGR; 10-Tooth Drive	ND	2.5	128000-8290	<b>2-2926-ND</b>	17630
6068SFM50	6cyl, 414ci, 6.8L	07-04	OSGR; 11-T; wo/Ground Stud in DE Hsg	ND	4.0	228000-6532	<b>2-2726-ND-2</b>	18018
6068SFM75	6cyl, 414ci, 6.8L	07-04	OSGR; 11-T; wo/Ground Stud in DE Hsg	ND	4.0	228000-6532	<b>2-2726-ND-2</b>	18018
6068TFM50	6cyl, 414ci, 6.8L	All	OSGR; 11-T; wo/Ground Stud in DE Hsg	ND	4.0	228000-6532	<b>2-2726-ND-2</b>	18018
6068TFM75	6cyl, 414ci, 6.8L	07-04	OSGR; 11-T; wo/Ground Stud in DE Hsg	ND	4.0	228000-6532	<b>2-2726-ND-2</b>	18018
6068TFM76	6cyl, 414ci, 6.8L	07-04	OSGR; 11-T; wo/Ground Stud in DE Hsg	ND	4.0	228000-6532	<b>2-2726-ND-2</b>	18018
6076AFM	6cyl, 466ci, 7.6L	All	DD; 10-T; w/Ground Stud In CE Plate	ND	4.0	228000-2370	<b>2-2043-ND</b>	18008
6076AFM30	6cyl, 466ci, 7.6L	All	DD; 10-T; w/Ground Stud In CE Plate	ND	4.0	228000-2370	<b>2-2043-ND</b>	18008
6081AFM01	6cyl, 496ci, 8.1L	All	OSGR; 11-T; wo/Ground Stud in DE Hsg	ND	4.0	228000-6532	<b>2-2726-ND-2</b>	18018
6081AFM75	6cyl, 496ci, 8.1L	07-04	OSGR; 11-T; wo/Ground Stud in DE Hsg	ND	4.0	228000-6532	<b>2-2726-ND-2</b>	18018
<b>Misc. Lawn Equipment (By Engines)</b>								
Various Models	Briggs & Stratton 16HP	All	Briggs & Stratton System	BS		AM39287	<b>2-2189</b>	5743
	Kawasaki 9HP	All	Denso System	ND	0.6	AM102628	<b>2-2740-ND-2</b>	18403
	Kawasaki 12.5HP	All	Denso System	ND	0.7	AM107206	<b>2-2644-ND</b>	18011
	Kawasaki 14HP	All	Denso System	ND	0.6	AM104559	<b>2-2648-ND</b>	18009
	Kawasaki 17HP #010001-On	All	Denso System	ND		AM108615	<b>2-2727-ND-2</b>	18048
<b>Mowers - Front</b>								
F510	Kawasaki 14HP	90-On	Denso System	ND	0.6	AM104559	<b>2-2648-ND</b>	18009
F525	Kawasaki 17HP	90-On	#21163-2093 (#130001-On)	ND		AM108615	<b>2-2727-ND-2</b>	18048
F620	Kohler 20HP	All	Delco System	DR		AM132702	<b>2-2022-DR</b>	6744
			Denso System	ND	0.6	AM124993	<b>2-2022-ND</b>	17628
F680	Kohler 20HP	All	Delco System	DR		AM132702	<b>2-2022-DR</b>	6744
			Denso System	ND	0.6	AM124993	<b>2-2022-ND</b>	17628
F687	Kohler 23HP	All	Delco System	DR		AM132702	<b>2-2022-DR</b>	6744
			Denso System	ND	0.6	AM124993	<b>2-2022-ND</b>	17628
F710	Kawasaki 17HP	91-On	Denso System	ND		AM108615	<b>2-2727-ND-2</b>	18048
F725	Kawasaki 20HP Gas	91-On	Denso System	ND		AM105575	<b>2-2643-ND</b>	18010
F910	Onan B48G Engine	90-84	Bendix Type	UT		HE191-1567	<b>2-2642-UT</b>	5701
			Solenoid Act. 420001 - 750000	MI		AM104505	<b>2-1554-MI-1</b>	17291
			Solenoid Act. 010001 - 100000	MI		AM104505	<b>2-1554-MI-1</b>	17291
	Onan P220G Engine	90-84	Bendix Type	UT		HE191-1567	<b>2-2642-UT</b>	5701
			Solenoid Activated	MI		AM104505	<b>2-1554-MI-1</b>	17291
F911	Kawasaki 22HP	91-On	Denso System	ND	0.6	AM109408	<b>2-2646-ND</b>	18012
F912		90-87	Hitachi System	HI	0.8	AM878168	<b>2-2738-HI-2</b>	18318
F915	Yanmar Engines	93-87	Hitachi System	HI	0.9	AM878176	<b>2-1948-HI</b>	18055
F932	Yanmar 28HP Gas	88-On	Hitachi System	HI	0.8	AM878168	<b>2-2738-HI-2</b>	18318
<b>Mowers - Greens</b>								
2243	18HP Diesel	All	Denso System	ND		AM105575	<b>2-2643-ND</b>	18010
2500	Kawasaki 18HP Gas	All	Denso System	ND	0.6	AM109408	<b>2-2646-ND</b>	18012
2500A	JD Series 220 20HP Dsl	All	Hitachi System	HI	0.9	AM878176	<b>2-1948-HI</b>	18055
2500B	Kawasaki 19.9HP Gas	All	Denso System	ND	0.6	AM109408	<b>2-2646-ND</b>	18012
2500E	Kawasaki 18HP Gas	All	Denso System	ND	0.6	AM109408	<b>2-2646-ND</b>	18012
	JD 18HP Diesel	All	Replacement Unit	HI	0.9	AM878176	<b>2-1948-HI</b>	18055
	Kawasaki 19.9HP Gas	All	Denso System	ND	0.6	AM109408	<b>2-2646-ND</b>	18012
	JD 19.9HP Dsl	All	Replacement Unit	HI	0.9	AM878176	<b>2-1948-HI</b>	18055
Aercore 800 Greens Aerator		All	Delco System	DR		AM132702	<b>2-2022-DR</b>	6744
			Denso System	ND	0.6	AM124993	<b>2-2022-ND</b>	17628

♦ See Buyer's Guide for Optional Units

Model	Engine	Year	Option	Mfg KW	OEM #	PART NO.	REF.
<b>JOHN DEERE - continued</b>							
<b>Mowers - Professional</b>							
2653	Yanmar 3TNE68A (18HP)	All	Denso System	ND 0.6	AM109408	2-2646-ND	18012
2653A		All	Denso System	HI 0.9	AM878176	2-1948-HI	18055
<b>Mowers - Riding</b>							
56	Tecumseh 6HP	74-71	Tecumseh System	TC	AM34731	2-2247	5752
	Tecumseh 7HP	74-71	Tecumseh System	TC	AM34731	2-2247	5752
57	Tecumseh 7HP	74-71	Tecumseh System	TC	AM34731	2-2247	5752
65	Tecumseh 5HP	83-78	Tecumseh System	TC	AM34731	2-2247	5752
66	Tecumseh 6HP	77-75	Tecumseh System	TC	AM34731	2-2247	5752
68	Briggs & Stratton 8HP	83-75	Briggs & Stratton System	BS	AM39137	2-2188	5742
GX75	Kawasaki 9HP	96-91	Denso System	ND 0.6	AM102628	2-2740-ND-2	18403
GX85	Briggs & Stratton 13HP	97-On	Briggs & Stratton System	BS	LG497595	2-2188	5742
GX95	Kawasaki 12.5HP	96-93	Denso System	ND 0.7	AM107206	2-2644-ND	18011
R70	Briggs & Stratton 8HP	86-84	Briggs & Stratton System	BS	AM39137	2-2188	5742
R72	Briggs & Stratton 8HP	86-84	Briggs & Stratton System	BS	AM39137	2-2188	5742
R92	Briggs & Stratton 11HP	86-85	Briggs & Stratton System	BS	AM39137	2-2188	5742
RX75	Kawasaki 9HP	90-87	Denso System	ND 0.6	AM102628	2-2740-ND-2	18403
RX95	Kawasaki 12.5HP	90-87	Denso System	ND 0.7	AM107206	2-2644-ND	18011
S80	Briggs & Stratton 8HP	84	Briggs & Stratton System	BS	AM39137	2-2188	5742
S82	Briggs & Stratton 8HP	86-84	Briggs & Stratton System	BS	AM39137	2-2188	5742
S92	Briggs & Stratton 11HP	86-84	Briggs & Stratton System	BS	AM39137	2-2188	5742
SRX75	Kawasaki 9HP	96-91	Denso System	ND 0.6	AM102628	2-2740-ND-2	18403
SRX95	Kawasaki 12.5HP	94-91	Denso System	ND 0.7	AM107206	2-2644-ND	18011
SX75	Kawasaki 9HP	90-87	Denso System	ND 0.6	AM102628	2-2740-ND-2	18403
SX85	Briggs & Stratton 13HP	97-On	Briggs & Stratton System	BS	LG497595	2-2188	5742
SX95	Kawasaki 12.5HP	90-87	Denso System	ND 0.7	AM107206	2-2644-ND	18011
<b>Mowers - Turf</b>							
3325	Yanmar 38HP Dsl	All	Hitachi System	HI 2.0	AM878189	2-2728-HI-2	18051
3365	Yanmar 38HP Dsl	All	Hitachi System	HI 2.0	AM878189	2-2728-HI-2	18051
<b>Mowers - Walk Behind</b>							
7H17	Kawasaki 17HP	All	Denso System	ND 0.6	AM133636	2-2945-ND	18266
7H19	Kawasaki 19HP	All	Denso System	ND 0.6	AM133636	2-2945-ND	18266
Aercore 800 Aerator	Kohler 18HP	All	Delco System	DR	AM132702	2-2022-DR	6744
			Denso System	ND 0.6	AM124993	2-2022-ND	17628
	Kohler 25HP	All	Delco System	DR	AM132702	2-2022-DR	6744
Commercial Models	Briggs & Stratton 16HP	All	Briggs & Stratton System	BS	AM39287	2-2189	5743
	Kawasaki 17HP	All	Marked 21163-2085	ND	AM108615	2-2727-ND-2	18048
	Kohler 12.5HP	All	Denso System	ND 0.7	AM107206	2-2644-ND	18011
GS25	Kawasaki 12.5HP	All	Denso System	ND 0.6	AM104559	2-2648-ND	18009
GS45	Kawasaki 14HP	All	Denso System	ND 0.6	AM104559	2-2648-ND	18009
GS75	Kawasaki 17HP	All	Denso System	ND	AM108615	2-2727-ND-2	18048
HD45	Kawasaki 14HP	All	Denso System	ND 0.6	AM104559	2-2648-ND	18009
HD75	Kawasaki 17HP	All	Denso System	ND	AM108615	2-2727-ND-2	18048
Various Models	Briggs & Stratton 16HP	All	Briggs & Stratton System	BS	AM39287	2-2189	5743
	Kawasaki 12.5HP	All	Denso System	ND 0.7	AM107206	2-2644-ND	18011
	Kawasaki 14HP	All	Denso System	ND 0.6	AM104559	2-2648-ND	18009
	Kawasaki 17HP	All	Denso System	ND	AM108615	2-2727-ND-2	18048
<b>Mowers - Z-Trak</b>							
647	Kawasaki 19HP	All	Denso System	ND 0.6	AM133636	2-2945-ND	18266
647A	Kawasaki 19HP	All	Denso System	ND 0.6	AM133636	2-2945-ND	18266
657	Kawasaki 23HP	All	Denso System	ND 0.6	AM133636	2-2945-ND	18266
657A	Kawasaki 23HP	All	Denso System	ND 0.6	AM133636	2-2945-ND	18266
667	Kawasaki 23HP	All	Denso System	ND 0.6	AM133636	2-2945-ND	18266
667A	Kawasaki 23HP	All	Denso System	ND 0.6	AM133636	2-2945-ND	18266
717	Kawasaki 19HP	All	Denso System	ND 0.6	AM133636	2-2945-ND	18266
717A	Kawasaki 19HP	All	Denso System	ND 0.6	AM133636	2-2945-ND	18266
727	Kawasaki 23HP	All	Denso System	ND 0.6	AM133636	2-2945-ND	18266
727A	Kawasaki 23HP	All	Denso System	ND 0.6	AM133636	2-2945-ND	18266
737	Kawasaki 23HP	All	Denso System	ND	AM133646	2-2744-ND-2	18549
757	Kawasaki 25HP	All	Denso System	ND	AM133646	2-2744-ND-2	18549

◆ See Buyer's Guide for Optional Units

# STARTERS

Model	Engine	Year	Option	Mfg	KW	OEM #	PART NO.	REF.
-------	--------	------	--------	-----	----	-------	----------	------

## JOHN DEERE - continued

### Mowers - Z-Trak - continued

F687	Kohler 23HP	All	Delco System	DR		AM132702	2-2022-DR	6744
			Denso System	ND	0.6	AM124993	2-2022-ND	17628
M653	Kohler 23HP	All	Delco System	DR		AM132702	2-2022-DR	6744
			Denso System	ND	0.6	AM124993	2-2022-ND	17628
M655	Kohler 25HP	All	Delco System	DR		AM132702	2-2022-DR	6744
			Denso System	ND	0.6	AM124993	2-2022-ND	17628
M665	Kohler 25HP	All	Delco System	DR		AM132702	2-2022-DR	6744
			Denso System	ND	0.6	AM124993	2-2022-ND	17628
Z425	Briggs & Stratton 23HP	All	445577-0120-E1, -0122-E1	BS		LG499521	2-2191	5778
Z510A	Kohler 22HP	All	Delco System	DR		MIA11473	2-2022-DR	6744
Z520A	Kohler 25HP	All	Delco System	DR		MIA11473	2-2022-DR	6744
Z810A	Kawasaki 22HP	All	Denso System	ND	0.6	AM133636	2-2945-ND	18266
Z820A	Kawasaki 25HP	All	Denso System	ND	0.6	AM133636	2-2945-ND	18266

### Skid Steer Loaders

14	Onan Engines	79-75	Mitsubishi System	MI		191-1052	2-1738-MI-1	17332
24A	Continental 36HP Gas	83-79	Mitsubishi System	MI		191-1052	2-1738-MI-1	17332
	Isuzu 36HP Diesel	83-79	Denso System	ND	2.0	028000-7000	2-1193-ND	16739
60	Kohler 17HP Engine	84-77	United Tech System	UT		AM34248	2-2129-UT	5761
70	Onan 25HP Engine	78-75	Mitsubishi System	MI		191-1052	2-1738-MI-1	17332
90	Onan 23HP Engine	84-79	Mitsubishi System	MI		191-1052	2-1738-MI-1	17332
125	Teledyne 2.0L 40HP Dsl	84-83	Denso System	ND	2.0	028000-7000	2-1193-ND	16739
240	JD 3029D 46HP Engine	04-99	To Ser. #196418	VA	2.5	D7R14	2-2294-VA	17086
250	JD 3029T 61HP Engine	04-99	To Ser. #197301	VA	2.5	D7R14	2-2294-VA	17086
260	JD 3029T 69HP Engine	04-99	To Ser. #197587	VA	2.5	D7R14	2-2294-VA	17086
313	JD 4024T 49HP Engine	07-On	Bosch System	BO	2.2	RE508922	2-3005-BO	18954
315	JD 4024T 49HP Engine	07-On	Bosch System	BO	2.2	RE508922	2-3005-BO	18954
317	JD 4024T 57HP Engine	05-On	Bosch System	BO	2.2	RE508922	2-3005-BO	18954
320	JD 4024T 62HP Engine	05-On	Bosch System	BO	2.2	RE508922	2-3005-BO	18954
325	JD 5030T 70HP Engine	04-00	Bosch System	BO	2.2	RE508922	2-3005-BO	18954
328	JD 5030TW 76HP Engine	05-On	Bosch System	BO	2.2	RE508922	2-3005-BO	18954
332	JD 5030HW 85HP Engine	05-On	Bosch System	BO	2.2	RE508922	2-3005-BO	18954
375	Yanmar 17HP Diesel	93-88	Hitachi System	HI	0.9	S114-653B	2-1948-HI	18055
575	Yanmar 33HP Diesel	94-87	Hitachi System	HI	2.5	S13-41A	2-2016-HI	18204
675	Yanmar 4TNA82	89-87	Hitachi System	HI	2.5	S13-41A	2-2016-HI	18204
675B	Yanmar 4TNA82	94-87	Hitachi System	HI	2.5	S13-41A	2-2016-HI	18204
3375	Yanmar 17HP Diesel	99-94	Hitachi System	HI	0.9	S114-653B	2-1948-HI	18055
4475	Yanmar 31HP Diesel	98-94	Denso System	ND	1.4	028000-5730	2-2705-ND-2	16657
5575	Yanmar 36HP Diesel	98-95	Denso System	ND	1.4	028000-5730	2-2705-ND-2	16657
8875	J. Deere 61HP Turbo Dsl	98-94	Valeo System	VA	2.5	D7R14	2-2294-VA	17086
			Delco System	DR		10479628	50-8438	6601
JD24	J. Deere Diesel	76-70	Delco System	DR		1107871	50-8422	4000
JD24A	Continental 36HP Gas	79-77	Mitsubishi System	MI		191-1052	2-1738-MI-1	17332
	Isuzu 36HP Diesel	79-77	Denso System	ND	2.0	028000-7000	2-1193-ND	16739

### Tractors - Farm

LX176	Kawasaki Engine	91-On	Denso System	ND	0.6	128000-4020	2-2648-ND	18009
LX178	Kawasaki Engine	91-On	Denso System	ND		128000-5500	2-2643-ND	18010
LX188	Kawasaki Engine	92-On	Denso System	ND		128000-5500	2-2643-ND	18010

### Tractors - Lawn

60	Tecumseh 7HP	69-66		TC		AM34731	2-2247	5752
70	Tecumseh 7HP	74-70		TC		AM34731	2-2247	5752
100	Briggs & Stratton	78-75		BS		AM37352	2-2188	5742
108	Briggs & Stratton	85-82	From Ser. #190001	BS		LG497595	2-2188	5742
		81-79	To Ser. #190000	BS		AM37352	2-2188	5742
110	Kohler 8HP	74-72		UT		AM34361	2-2128-UT	5767
		71-68		UT		AM32853	2-2128-UT	5767
111	Briggs & Stratton	85-79		BS		AM106883	2-2191	5746
				BS		AM38136	2-2191	5746
				BS		AM39285	2-2191	5746

Model	Engine	Year	Option	Mfg KW	OEM #	PART NO.	REF.
<b>JOHN DEERE - continued</b>							
<b>Tractors - Lawn - continued</b>							
111H	Briggs & Stratton	84-82		BS	AM106883	<b>2-2191</b>	5746
				BS	AM38136	<b>2-2191</b>	5746
				BS	AM39285	<b>2-2191</b>	5746
112	Kohler 10HP	71-69		UT	AM32789	<b>2-2129-UT</b>	5761
	Kohler 12HP	74-72		UT	AM34248	<b>2-2129-UT</b>	5761
112L	Briggs & Stratton	85	Requires AM119748 Kit	ND 0.7	AM107206	<b>2-2644-ND</b>	18011
116	Briggs & Stratton	85-82	Briggs & Stratton System	BS	AM38984	<b>2-2189</b>	5743
116H	Briggs & Stratton	85-83	Briggs & Stratton System	BS	AM38984	<b>2-2189</b>	5743
120	Kohler 12HP	71-70		UT	AM34248	<b>2-2129-UT</b>	5761
130	9HP	88-86	Denso System	ND 0.6	AM102628	<b>2-2740-ND-2</b>	18403
140	Kohler 12HP	68		UT	AM34248	<b>2-2129-UT</b>	5761
	Kohler 14HP	74-71	From Ser. #57528	UT	AM37869	<b>2-2129-UT</b>	5755
			To Ser. #57527	UT	AM34248	<b>2-2129-UT</b>	5761
		70-69		UT	AM34248	<b>2-2129-UT</b>	5761
160	12.5HP	88-86		ND 0.7	AM102567	<b>2-2644-ND</b>	18011
165	12.5HP	88-86		ND 0.7	AM102567	<b>2-2644-ND</b>	18011
170	Kawasaki 14HP	90-89	Marked 21163-2073	ND 0.6	AM104559	<b>2-2648-ND</b>	18009
175	Kawasaki 14HP	90-87	Marked 21163-2073	ND 0.6	AM104559	<b>2-2648-ND</b>	18009
180	Kawasaki 17HP	90-86	Marked 21163-2093	ND	AM108615	<b>2-2727-ND-2</b>	18048
185	Kawasaki 17HP	90-86	Marked 21163-2093	ND	AM108615	<b>2-2727-ND-2</b>	18048
200	Kohler 8HP	75	K181QS Engine	UT	AM34361	<b>2-2128-UT</b>	5767
208	Kohler 8HP	78-77	K181QS Engine	UT	AM34361	<b>2-2128-UT</b>	5767
210	Kohler 10HP	87-75	K241AQS Engine	UT	AM34248	<b>2-2129-UT</b>	5761
212	Kohler 12HP	87-75	K301AQS Engine	UT	AM34248	<b>2-2129-UT</b>	5761
214	Kohler 14HP	87-75	K321AQS Engine	UT	AM37869	<b>2-2129-UT</b>	5755
216	Kohler 16HP	87-79	K341AQS Engine	UT	AM37869	<b>2-2129-UT</b>	5755
240	Kawasaki 14HP	92-88	Marked 21163-2073	ND 0.6	AM104559	<b>2-2648-ND</b>	18009
245	Kawasaki 14HP	94-93	Marked 21163-2073	ND 0.6	AM104559	<b>2-2648-ND</b>	18009
260	Kawasaki 17HP	91-88	Marked 21163-2093	ND	AM108615	<b>2-2727-ND-2</b>	18048
265	Kawasaki 17HP	94-88	Marked 21163-2093	ND	AM108615	<b>2-2727-ND-2</b>	18048
285	Kawasaki 18HP	91-88	Marked 21163-2077	ND	AM105575	<b>2-2643-ND</b>	18010
300	Kohler 16HP	77-75	From Ser. #80049	UT	AM37869	<b>2-2129-UT</b>	5755
			To Ser. #80048	UT	AM37032	<b>2-2129-UT</b>	5755
312	Kohler 12HP	78-77	K301AS Engine	UT	AM34248	<b>2-2129-UT</b>	5761
314	Kohler 14HP	83-79	K321AQS Engine	UT	AM37869	<b>2-2129-UT</b>	5755
316	Kohler 16HP	78	From Ser. #80049	UT	AM37869	<b>2-2129-UT</b>	5755
			To Ser. #80048	UT	AM37032	<b>2-2129-UT</b>	5755
	Onan B43E Engine	92-84	Bendix Type	UT	191-1567	<b>2-2642-UT</b>	5701
	Onan P218G Engine	92-84	Bendix Type	UT	191-1567	<b>2-2642-UT</b>	5701
			Solenoid Shift	MI 0.8	AM109263	<b>2-2668-MI</b>	17312
317	Kohler 17HP	82-79	KT17QS Engine	UT	AM38013	<b>2-2245</b>	5915
	Onan P218G Engine	82-79	Bendix Type	UT	191-1828	<b>2-2947</b>	5704
318	Onan B43E Engine	92-83	Bendix Type	UT	191-1567	<b>2-2642-UT</b>	5701
	Onan P218G Engine	92-83	Bendix Type	UT	191-1567	<b>2-2642-UT</b>	5701
			Solenoid Shift	MI 0.8	AM109263	<b>2-2668-MI</b>	17312
320	Kawasaki 18HP	94-92	Marked 21163-2077	ND	AM105575	<b>2-2643-ND</b>	18010
322	Yanmar Engines	91-88		HI 0.9	AM875014	<b>2-1948-HI</b>	18055
325	JD 18HP Gas	95-On		ND 0.6	AM127877	<b>2-2945-ND</b>	18266
	Kawasaki 17HP	95-On	Denso System	ND	AM108615	<b>2-2727-ND-2</b>	18048
330	Yanmar Engines	86		HI 0.9	AM878176	<b>2-1948-HI</b>	18055
332	Yanmar Engines	92-87		HI 0.9	AM878176	<b>2-1948-HI</b>	18055
335	JD 20HP Gas	95-On		ND 0.6	AM127877	<b>2-2945-ND</b>	18266
345	Yanmar Engines	95-On	Denso System	ND	AM105575	<b>2-2643-ND</b>	18010
400	Kohler 19.9HP	82-75		UT	AM37725	<b>2-2127-UT</b>	5766
415	Yanmar 16HP Dsl	97-95		HI 0.9	AM878176	<b>2-1948-HI</b>	18055
				HI 0.9	AM878813	<b>2-1948-HI</b>	18055
420	Onan B48G	91-83	Bendix Type	UT	191-1567	<b>2-2642-UT</b>	5701
	Onan P220G	91-83	Bendix Type	UT	191-1567	<b>2-2642-UT</b>	5701
			Solenoid Shift	MI 0.8	AM104504	<b>2-2668-MI</b>	17312

◆ See Buyer's Guide for Optional Units

# STARTERS

Model	Engine	Year	Option	Mfg	KW	OEM #	PART NO.	REF.
<b>JOHN DEERE - continued</b>								
<b>Tractors - Lawn - continued</b>								
425	Kawasaki 20HP	93-On	Denso System	ND	0.6	AM109408	<b>2-2646-ND</b>	18012
445	Kawasaki 22HP Gas	93-On	Denso System	ND	0.6	AM109408	<b>2-2646-ND</b>	18012
Europa 1338SGS	Briggs & Stratton 13HP	All	Briggs & Stratton System	BS		LG497595	<b>2-2188</b>	5742
Europa 1438GS	Briggs & Stratton 14.5HP	All	Briggs & Stratton System	BS		LG497595	<b>2-2188</b>	5742
Europa 1538HS	Briggs & Stratton 15HP	All	Briggs & Stratton System	BS		LG497595	<b>2-2188</b>	5742
Europa 1542GS	Briggs & Stratton 15.5HP	All	Briggs & Stratton System	BS		LG497595	<b>2-2188</b>	5742
Europa 1546GS	Briggs & Stratton 15HP	All	Briggs & Stratton System	BS		LG497595	<b>2-2188</b>	5742
Europa 1646HS	Briggs & Stratton 16HP	All	Briggs & Stratton System	BS		LG497595	<b>2-2188</b>	5742
G100	Kohler 25HP	All	Delco System	DR		AM132702	<b>2-2022-DR</b>	6744
G110	Kohler 25HP	All	Delco System	DR		AM132702	<b>2-2022-DR</b>	6744
GS25	Kawasaki 12.5HP	01-97	Denso System	ND	0.6	AM104559	<b>2-2648-ND</b>	18009
GS30	Kawasaki 13HP	03-97	Denso System	ND	0.6	AM104559	<b>2-2648-ND</b>	18009
GS45	Kawasaki 14HP	03-97	Denso System	ND	0.6	AM104559	<b>2-2648-ND</b>	18009
GS75	Kawasaki 17HP	03-97	Denso System	ND		AM108615	<b>2-2727-ND-2</b>	18048
GT225	Kohler 16HP	All	From Ser. #042018	ND	0.6	AM131296	<b>2-2022-ND</b>	17628
			To Ser. #042017	ND	0.6	AM108390	<b>2-2022-ND</b>	17628
GT235	Kawasaki Engine	All		ND	0.6	AM127877	<b>2-2945-ND</b>	18266
GT242	Kawasaki 14HP Gear	96-93	Denso System	ND	0.6	AM104559	<b>2-2648-ND</b>	18009
GT245	Kawasaki 20HP	All	Denso System	ND	0.6	AM133636	<b>2-2945-ND</b>	18266
GT262	Kawasaki 17HP Gear	96-92	Denso System	ND		AM108615	<b>2-2727-ND-2</b>	18048
GT275	Kawasaki 17HP Hydro	96-95	Denso System	ND		AM108615	<b>2-2727-ND-2</b>	18048
GX255	Kawasaki 20HP	All	Denso System	ND	0.6	AM133636	<b>2-2945-ND</b>	18266
GX325	Kawasaki 18HP	All	Denso System	ND	0.6	AM133636	<b>2-2945-ND</b>	18266
GX335	Kawasaki 20HP Air Cool	All	Denso System	ND	0.6	AM133636	<b>2-2945-ND</b>	18266
GX345	Kawasaki 20HP Liq. Cool	All	Denso System	ND		AM105575	<b>2-2643-ND</b>	18010
HD45	Kawasaki 14HP	03-97	Denso System	ND	0.6	AM104559	<b>2-2648-ND</b>	18009
HD75	Kawasaki 17HP	03-97	Denso System	ND		AM108615	<b>2-2727-ND-2</b>	18048
L111	Briggs & Stratton 20HP	All	B & S Engine #406577	BS		LG497595	<b>2-2188</b>	5742
L118	Briggs & Stratton 22HP	All	B & S Engine #406577, 407777	BS		LG497595	<b>2-2188</b>	5742
			B & S Engine #406777	BS		LG497401	<b>2-2191</b>	5746
L120	Briggs & Stratton 20HP	All	Briggs & Stratton System	BS		LG691262	<b>2-2191</b>	5746
L130	Kohler 23HP	All	Delco System	DR		AM132702	<b>2-2022-DR</b>	6744
LA135SE	Briggs & Stratton 22HP	All	Briggs & Stratton System	BS		LG497595	<b>2-2188</b>	5742
LA145	Briggs & Stratton 22HP	All	Briggs & Stratton System	BS		LG497595	<b>2-2188</b>	5742
LA155	Briggs & Stratton 22HP	All	Briggs & Stratton System	BS		LG497595	<b>2-2188</b>	5742
LA165	Briggs & Stratton 24HP	All	Briggs & Stratton System	BS		LG497595	<b>2-2188</b>	5742
LA175	Briggs & Stratton 26HP	All	Briggs & Stratton System	BS		LG497595	<b>2-2188</b>	5742
LT133	Kohler 13HP	All	United Tech System	UT		AM122435	<b>2-2241</b>	5770
LT150	Kohler 15HP	All	Stamped Kohler #2509804	UT		AM122435	<b>2-2241</b>	5770
			Stamped Kohler #2509807	UT		AM132818	<b>2-2756-UT-2</b>	5802
LT155	Kohler 15HP	All	United Tech System	UT		AM122435	<b>2-2241</b>	5770
LT160	Kohler 16HP	All	Stamped Kohler #2509804	UT		AM122435	<b>2-2241</b>	5770
			Stamped Kohler #2509807	UT		AM132818	<b>2-2756-UT-2</b>	5802
LT166	Briggs & Stratton 16HP	All	Eng. #3037771147E1	BS		LG499521	<b>2-2191</b>	5778
			Eng. #3037771162E1	BS		M143512	<b>2-2407</b>	5776
LT170	Briggs & Stratton 16HP	All	Briggs & Stratton System	BS		M143512	<b>2-2407</b>	5776
LT190	Kawasaki 18HP	All	Denso System	ND	0.6	AM133636	<b>2-2945-ND</b>	18266
LTR155	Kohler 15HP	All	United Tech System	UT		AM122435	<b>2-2241</b>	5770
LTR166	Briggs & Stratton 16HP	All	Eng. #3037771147E1	BS		LG499521	<b>2-2191</b>	5778
			Eng. #3037771162E1	BS		M143512	<b>2-2407</b>	5776
LX172	Kawasaki 14HP Gear	96-91	Denso System	ND	0.6	AM104559	<b>2-2648-ND</b>	18009
LX173	Kohler 15HP Gear	96	Denso System	ND	0.6	AM108390	<b>2-2022-ND</b>	17628
LX176	Kawasaki 14HP Hydro	96-91	Denso System	ND	0.6	AM104559	<b>2-2648-ND</b>	18009
LX178	Kawasaki 15HP Hydro	96-91	Denso System	ND		AM105575	<b>2-2643-ND</b>	18010
LX186	Kawasaki 17HP Hydro	91	Denso System	ND		AM108615	<b>2-2727-ND-2</b>	18048
LX188	Kawasaki 17HP Hydro	96-93	Denso System	ND		AM105575	<b>2-2643-ND</b>	18010
LX255	Kohler 15HP	All	Denso System	ND	0.6	AM108390	<b>2-2022-ND</b>	17628
LX266	Kohler 16HP	All	Delco System	DR		AM132702	<b>2-2022-DR</b>	6744
			Denso System	ND	0.6	AM131296	<b>2-2022-ND</b>	17628

Model	Engine	Year	Option	Mfg KW	OEM #	PART NO.	REF.
<b>JOHN DEERE - continued</b>							
<b>Tractors - Lawn - continued</b>							
LX277	Kawasaki 17HP Gas	All	Denso System	ND 0.6	AM133636	<b>2-2945-ND</b>	18266
LX279	Kawasaki 17HP Gas	All	Denso System	ND	AM105575	<b>2-2643-ND</b>	18010
LX280	Kawasaki 18HP	All	Denso System	ND 0.6	AM133636	<b>2-2945-ND</b>	18266
LX280 AWS	Kawasaki 18HP	All	Denso System	ND 0.6	AM133636	<b>2-2945-ND</b>	18266
LX288	Kawasaki 18HP	All	Denso System	ND 0.6	AM133636	<b>2-2945-ND</b>	18266
LX289	Kawasaki 17HP Gas	All	Denso System	ND	AM105575	<b>2-2643-ND</b>	18010
Sabre 1338G	Briggs & Stratton 13HP	All	Briggs & Stratton System	BS	LG497595	<b>2-2188</b>	5742
Sabre 1438GS	Briggs & Stratton 14.5HP	All	Briggs & Stratton System	BS	LG497595	<b>2-2188</b>	5742
Sabre 1438HS	Briggs & Stratton 14.5HP	All	Briggs & Stratton System	BS	LG497595	<b>2-2188</b>	5742
Sabre 1538GS	Briggs & Stratton 15HP	All	Briggs & Stratton System	BS	LG497595	<b>2-2188</b>	5742
Sabre 1538HS	Briggs & Stratton 15HP	All	Briggs & Stratton System	BS	LG497595	<b>2-2188</b>	5742
Sabre 1542GS	Briggs & Stratton 15.5HP	All	Briggs & Stratton System	BS	LG497595	<b>2-2188</b>	5742
Sabre 1542HS	Briggs & Stratton 15.5HP	All	Briggs & Stratton System	BS	LG497595	<b>2-2188</b>	5742
Sabre 1546G	Briggs & Stratton 15HP	All	Briggs & Stratton System	BS	LG497595	<b>2-2188</b>	5742
Sabre 1642G V-Twin	Briggs & Stratton 16HP	All	Briggs & Stratton System	BS	LG499521	<b>2-2191</b>	5778
Sabre 1642H V-Twin	Briggs & Stratton 16HP	All	Briggs & Stratton System	BS	LG499521	<b>2-2191</b>	5778
Sabre 1646HS	Briggs & Stratton 16HP	All	Briggs & Stratton System	BS	LG497595	<b>2-2188</b>	5742
Sabre 1842GV	Briggs & Stratton 18HP	All	Briggs & Stratton System	BS	LG499521	<b>2-2191</b>	5778
Sabre 1842HV	Briggs & Stratton 18HP	All	Briggs & Stratton System	BS	LG499521	<b>2-2191</b>	5778
Sabre 1846HMS	Briggs & Stratton 18HP	All	Briggs & Stratton System	BS	LG691262	<b>2-2191</b>	5746
Sabre 1846HV	Briggs & Stratton 18HP	All	Briggs & Stratton System	BS	LG691262	<b>2-2191</b>	5746
Sabre 1848GV	Briggs & Stratton 18HP	All	Briggs & Stratton System	BS	LG499521	<b>2-2191</b>	5778
Sabre 1848HV	Briggs & Stratton 18HP	All	Briggs & Stratton System	BS	LG499521	<b>2-2191</b>	5778
Sabre 1948GV	Kohler 19.9HP	All	Engine CV20S-65560, -71	UT	AM130407	<b>2-2756-UT-2</b>	5802
			Engine CV20S-65587	DR	AM132702	<b>2-2022-DR</b>	6744
			Engine CV20S-65587	ND 0.6	AM124993	<b>2-2022-ND</b>	17628
Sabre 1948HV	Kohler 19.9HP	All	Engine CV20S-65560, -71	UT	AM130407	<b>2-2756-UT-2</b>	5802
			Engine CV20S-65587	DR	AM132702	<b>2-2022-DR</b>	6744
			Engine CV20S-65587	ND 0.6	AM124993	<b>2-2022-ND</b>	17628
Sabre 2046HS	Briggs & Stratton 20HP	All	Briggs & Stratton System	BS	LG691262	<b>2-2191</b>	5746
Sabre 2046HV	Briggs & Stratton 20HP	All	Briggs & Stratton System	BS	LG691262	<b>2-2191</b>	5746
Sabre 2048HV	Briggs & Stratton 20HP	All	Briggs & Stratton System	BS	LG499521	<b>2-2191</b>	5778
Sabre 2148HV	Kohler 21HP	All	Engine CV22S-75529, -42	UT	AM130407	<b>2-2756-UT-2</b>	5802
			Engine CV22S-75557	DR	AM132702	<b>2-2022-DR</b>	6744
			Engine CV22S-75557	ND 0.6	AM124993	<b>2-2022-ND</b>	17628
Sabre 2254HV	Briggs & Stratton 22HP	All	Briggs & Stratton System	BS	LG499521	<b>2-2191</b>	5778
Sabre 2354HV	Kohler 23HP	All	Engine CV23S-75531, -41	UT	AM130407	<b>2-2756-UT-2</b>	5802
			Engine CV23S-75556	DR	AM132702	<b>2-2022-DR</b>	6744
			Engine CV23S-75556	ND 0.6	AM124993	<b>2-2022-ND</b>	17628
Sabre 2554HV	Kohler 25HP	All	Delco System	DR	AM132702	<b>2-2022-DR</b>	6744
			Denso System	ND 0.6	AM124993	<b>2-2022-ND</b>	17628
SST16 Spin Steer	John Deere 16HP	All	Briggs & Stratton System	BS	M143512	<b>2-2407</b>	5776
SST18 Spin Steer	John Deere 18HP	All	Briggs & Stratton System	BS	M143512	<b>2-2407</b>	5776
STX30	Kohler 9HP	93-89	Bendix Type	UT	AM117130	<b>2-2756-UT-2</b>	5775
			Bendix Type	UT	AM120729	<b>2-2756-UT-2</b>	5775
			Solenoid Shift	ND 0.6	AM107631	<b>2-2022-ND</b>	17628
			Solenoid Shift	ND 0.6	AM108390	<b>2-2022-ND</b>	17628
STX38	Kohler 12.5HP	96-94	Bendix Type	UT	AM120729	<b>2-2756-UT-2</b>	5775
		93-89	Bendix Type	UT	AM117130	<b>2-2756-UT-2</b>	5775
			Bendix Type	UT	AM120729	<b>2-2756-UT-2</b>	5775
			Solenoid Shift	ND 0.6	AM107631	<b>2-2022-ND</b>	17628
			Solenoid Shift	ND 0.6	AM108390	<b>2-2022-ND</b>	17628
	Kohler 13HP	96-94	Bendix Type	UT	AM117130	<b>2-2756-UT-2</b>	5775
	Kohler 14HP	96-94	Bendix Type	UT	AM117130	<b>2-2756-UT-2</b>	5775
STX46	Kohler 14HP	95-On	Bendix Type	UT	AM120729	<b>2-2756-UT-2</b>	5775
	Kohler 15HP	95-On	Bendix Type	UT	AM122435	<b>2-2241</b>	5770
X300	Kawasaki 17HP	All	w/21163-7031	UT	MIA11564	<b>2-2963</b>	5922
			w/21163-7007	UT	MIU11006	<b>2-2963</b>	5922
X300R	Kawasaki 17HP	All	United Tech System	UT	MIA11564	<b>2-2963</b>	5922

♦ See Buyer's Guide for Optional Units



# STARTERS

Model	Engine	Year	Option	Mfg	KW	OEM #	PART NO.	REF.
-------	--------	------	--------	-----	----	-------	----------	------

## JOHN DEERE - continued

### Tractors - Lawn - continued

X304	Kawasaki 17HP	All	w/21163-7031	UT		MIA11564	<b>2-2963</b>	5922
			w/21163-7007	UT		MIU11006	<b>2-2963</b>	5922
X320	Kawasaki 22HP	All	FH661V-AS04 Engine	ND	0.6	MIA11408	<b>2-2945-ND</b>	18266
X324	Kawasaki 22HP	All	FH661V-AS04 Engine	ND	0.6	MIA11408	<b>2-2945-ND</b>	18266
X340	Kawasaki 25HP	All	Denso System	ND	0.6	MIA11408	<b>2-2945-ND</b>	18266
X465	Kawasaki 21HP	All		ND		AM133646	<b>2-2744-ND-2</b>	18549
X500	Kawasaki 25HP	All	Denso System	ND	0.6	MIA11408	<b>2-2945-ND</b>	18266
X534	Kawasaki 25HP	All	Denso System	ND	0.6	MIA11408	<b>2-2945-ND</b>	18266

### Tractors - Specialty

20A Nursery	Lombardini 21HP Dsl	All	Bosch System	BO	1.8	0-001-109-029	<b>2-2362-BO</b>	18369
-------------	---------------------	-----	--------------	----	-----	---------------	------------------	-------

### Tractors - Utility

655	Yanmar Engines	90-86	Hitachi System	HI	0.9	S114-653B	<b>2-1948-HI</b>	18055
750	Yanmar 3T80 Dsl	88-81	Denso System	ND	1.4	028000-5730	<b>2-2705-ND-2</b>	16657
770	Yanmar Engines	96-89	Denso System	ND	1.4	028000-5730	<b>2-2705-ND-2</b>	16657
820	3cyl Engine	72-68	Delco System	DR		1107871	<b>50-8422</b>	4000
830	3cyl Engine	75-72	Delco System	DR		1107871	<b>50-8422</b>	4000
850	Yanmar 3T80	88-78	Denso System	ND	1.4	028000-5730	<b>2-2705-ND-2</b>	16657
870	Yanmar Engines	96-89	Denso System	ND	1.4	028000-5730	<b>2-2705-ND-2</b>	16657
955	Yanmar Diesel	95-90	Denso System	ND	1.4	028000-5730	<b>2-2705-ND-2</b>	16657
970	Yanmar Diesel	96-89	Denso System	ND	1.4	028000-5730	<b>2-2705-ND-2</b>	16657
1070	Yanmar Diesel	96-89	Denso System	ND	1.4	028000-5730	<b>2-2705-ND-2</b>	16657

### Utility Vehicle (UTV)

1800 Golf / Turf Vehicle	Kawasaki 18HP	All	Denso System	ND	0.6	AM109408	<b>2-2646-ND</b>	18012
AMT600 Transporter		90-87	Hitachi System	HI	0.4	S108-76B	<b>2-1775-HI</b>	18309
AMT622 Transporter		90-88	Denso System	ND	0.6	AW26844	<b>2-1785-ND</b>	18404
AMT626 Transporter		92-90	Denso System	ND	0.6	AW26844	<b>2-1785-ND</b>	18404
Bunker & Field Rake 1200	Kawasaki 10HP	All	Denso System	ND	0.6	AW26844	<b>2-1785-ND</b>	18404
Bunker & Field Rake 1200 Hydro	Briggs & Stratton 16HP	All	UT System	BS		M143512	<b>2-2407</b>	5776
Bunker & Field Rake 1200A	Kawasaki 10HP	All	Denso System	ND	0.6	AW26844	<b>2-1785-ND</b>	18404
G5500KE Generator		All	Denso System	ND	0.6	AW26844	<b>2-1785-ND</b>	18404
Gator 4 x 2	Kawasaki 10HP	All	Denso System	ND	0.6	AW26844	<b>2-1785-ND</b>	18404
Gator 6 x 4	Kawasaki 18HP	All	Denso System	ND	0.6	AM109408	<b>2-2646-ND</b>	18012
	Yanmar 18HP Dsl	All	Hitachi System	HI	0.9	AM878176	<b>2-1948-HI</b>	18055
Gator CS Compact Series	Kawasaki 8HP	All	Denso System	ND	0.6	AW26844	<b>2-1785-ND</b>	18404
Gator CX Compact Series	Kawasaki 10HP	All	Denso System	ND	0.6	AW26844	<b>2-1785-ND</b>	18404
Gator HPX	Kawasaki 18HP	All	Denso System	ND	0.6	AM109408	<b>2-2646-ND</b>	18012
	Kawasaki 20HP	All	Denso System	ND	0.6	AM109408	<b>2-2646-ND</b>	18012
	Kawasaki Engine		Denso System	ND	0.6	MIA10946	<b>2-2646-ND</b>	18012
	Yanmar 3TNE68 20HP Dsl	All	Hitachi System	HI	0.9	AM878176	<b>2-1948-HI</b>	18055
Gator TH 6x4	Kawasaki 19HP	All	Denso System	ND		AM133646	<b>2-2744-ND-2</b>	18549
Gator TS	Kawasaki 9.5HP	All	Denso System	ND	0.6	AW26844	<b>2-1785-ND</b>	18404
Gator TX	Kawasaki 13HP	All	Denso System	ND		AM134946	<b>2-2743-ND-2</b>	18533
Gator XUV 620i 4x4	Kawasaki 23HP	All	Denso System	ND	0.7	MIA10971	<b>2-2035-ND</b>	18512
M-Gator A1 Military	Yanmar 3TN66C 18HP Dsl	All	Hitachi System	HI	0.9	AM878176	<b>2-1948-HI</b>	18055
Trail Buck 500	4-Tec Rotax 498cc Engine	All	Mitsuba System	MT		C420-888-991	<b>2-2999-MT</b>	18817
Trail Buck 650	4-Tec Rotax 644cc Engine	All	Mitsuba System	MT		C420-888-991	<b>2-2999-MT</b>	18817
Trail Buck 650EX	4-Tec Rotax 644cc Engine	All	Mitsuba System	MT		C420-888-991	<b>2-2999-MT</b>	18817
Trail Buck 650EXT	4-Tec Rotax 644cc Engine	All	Mitsuba System	MT		C420-888-991	<b>2-2999-MT</b>	18817
Trail Gator 4 x 2	Kawasaki 10HP	All	Denso System	ND	0.6	AW26844	<b>2-1785-ND</b>	18404
Trail Gator 6 x 4	Kawasaki 18HP	All	Denso System	ND	0.6	AM109408	<b>2-2646-ND</b>	18012
	Yanmar 18HP Dsl	All	Hitachi System	HI	0.9	AM878176	<b>2-1948-HI</b>	18055

## JOHNSON

### Engines - Marine Outboard

10E	13.2ci - 9.9 H.P.	92-85	United Tech System	UT		386430	<b>2-2256</b>	5710
		01-98	United Tech System	UT		586274	<b>2-3144-UT</b>	5779
		97-93	United Tech System	UT		584613	<b>2-3144-UT</b>	5779
10EL	13.2ci - 9.9 H.P.	93-80	United Tech System	UT		386430	<b>2-2256</b>	5710
		98-94	United Tech System	UT		586274	<b>2-3144-UT</b>	5779

Model	Engine	Year	Option	Mfg KW	OEM #	PART NO.	REF.
<b>JOHNSON - continued</b>							
<b>Engines - Marine Outboard - continued</b>							
10FEX 4-Stroke	18.6ci - 9.9 H.P.	98-95	United Tech System	UT	584608	2-2255	5711
10FREL 4-Stroke	18.6ci - 9.9 H.P.	98-95	United Tech System	UT	584608	2-2255	5711
10RE	13.2ci - 9.9 H.P.	92-90	United Tech System	UT	386430	2-2256	5710
	15.6ci - 9.9 H.P.	01-98	United Tech System	UT	586274	2-3144-UT	5779
		97-93	United Tech System	UT	584613	2-3144-UT	5779
10SE	13.2ci - 9.9 H.P.	92-80	United Tech System	UT	386430	2-2256	5710
	15.6ci - 9.9 H.P.	01-98	United Tech System	UT	586274	2-3144-UT	5779
		97-93	United Tech System	UT	584613	2-3144-UT	5779
10TE	15.6ci - 9.9 H.P.	01-99	United Tech System	UT	586274	2-3144-UT	5779
10TEL	15.6ci - 9.9 H.P.	01-99	United Tech System	UT	586274	2-3144-UT	5779
15E	13.2ci - 15 H.P.	92-80	United Tech System	UT	386430	2-2256	5710
	15.6ci - 15 H.P.	01-98	United Tech System	UT	586274	2-3144-UT	5779
		97-93	United Tech System	UT	584613	2-3144-UT	5779
15FR 4-Stroke	18.6ci - 15 H.P.	01-97	United Tech System	UT	586275	2-2255	5711
15RE	13.2ci - 15 H.P.	93-90	United Tech System	UT	386430	2-2256	5710
	15.6ci - 15 H.P.	97-94	United Tech System	UT	586274	2-3144-UT	5779
15TE	15.6ci - 15 H.P.	01-99	United Tech System	UT	586274	2-3144-UT	5779
15TEL	15.6ci - 15 H.P.	01-99	United Tech System	UT	586274	2-3144-UT	5779
20 (Older Models)	31.8ci - 20 H.P.	79-66	United Tech System (11-Tooth)	UT	585061	2-2073-UT	5712
20E	31.8ci - 20 H.P.	98	United Tech System (11-Tooth)	UT	586278	2-2073-UT	5712
		97-95	United Tech System (11-Tooth)	UT	585061	2-2073-UT	5712
		94	United Tech System (11-Tooth)	UT	585061	2-2073-UT	5712
		93-85	United Tech System (9-Tooth)	UT	583473	2-2161	5714
		79-66	United Tech System (11-Tooth)	UT	585061	2-2073-UT	5712
25 (Older Models)	31.8ci - 25 H.P.	79-66	United Tech System (11-Tooth)	UT	585061	2-2073-UT	5712
25E	31.8ci - 25 H.P.	01-98	United Tech System (11-Tooth)	UT	586278	2-2073-UT	5712
		97-95	United Tech System (11-Tooth)	UT	585061	2-2073-UT	5712
		94	United Tech System (11-Tooth)	UT	585061	2-2073-UT	5712
		93-81	United Tech System (9-Tooth)	UT	583473	2-2161	5714
		05-98	United Tech System (11-Tooth)	UT	586278	2-2073-UT	5712
25EL	31.8ci - 25 H.P.	97-95	United Tech System (11-Tooth)	UT	585061	2-2073-UT	5712
		94	United Tech System (11-Tooth)	UT	585061	2-2073-UT	5712
		93-81	United Tech System (9-Tooth)	UT	583473	2-2161	5714
		01-00	United Tech System (11-Tooth)	UT	586278	2-2073-UT	5712
25ES	31.8ci - 25 H.P.	01-00	United Tech System (11-Tooth)	UT	586278	2-2073-UT	5712
25EV	31.8ci - 25 H.P.	01	United Tech System (11-Tooth)	UT	586278	2-2073-UT	5712
25GT	31.8ci - 25 H.P.	05-04	United Tech System (11-Tooth)	UT	586278	2-2073-UT	5712
25KL	30.5ci - 25 H.P.	98	United Tech System	UT	586277	2-2249	5715
		97-96	United Tech System	UT	584818	2-2249	5715
25PL3	30.5ci - 25 H.P.	01-99	United Tech System	UT	586277	2-2249	5715
25QL	30.5ci - 25 H.P.	98	United Tech System	UT	586277	2-2249	5715
		97-96	United Tech System	UT	584818	2-2249	5715
25R3	30.5ci - 25 H.P.	01-99	United Tech System	UT	586277	2-2249	5715
25RL3	30.5ci - 25 H.P.	98	United Tech System	UT	586277	2-2249	5715
25RM	30.5ci - 25 H.P.	97-96	United Tech System	UT	584818	2-2249	5715
25RV3	30.5ci - 25 H.P.	01	United Tech System	UT	586277	2-2249	5715
25RVL3	30.5ci - 25 H.P.	01	United Tech System	UT	586277	2-2249	5715
25TE	31.8ci - 25 H.P.	01-98	United Tech System (11-Tooth)	UT	586278	2-2073-UT	5712
		97-95	United Tech System (11-Tooth)	UT	585061	2-2073-UT	5712
		94	United Tech System (11-Tooth)	UT	585061	2-2073-UT	5712
		93-81	United Tech System (9-Tooth)	UT	583473	2-2161	5714
25TEL	31.8ci - 25 H.P.	05-98	United Tech System (11-Tooth)	UT	586278	2-2073-UT	5712
		97-95	United Tech System (11-Tooth)	UT	585061	2-2073-UT	5712
		94	United Tech System (11-Tooth)	UT	585061	2-2073-UT	5712
		93-81	United Tech System (9-Tooth)	UT	583473	2-2161	5714
25TEL3	30.5ci - 25 H.P.	01-99	United Tech System	UT	586277	2-2249	5715
25TES	31.8ci - 25 H.P.	05-02	United Tech System (11-Tooth)	UT	586278	2-2073-UT	5712
25TK	30.5ci - 25 H.P.	98	United Tech System	UT	586277	2-2249	5715
		97-96	United Tech System	UT	584818	2-2249	5715
25TVL3	30.5ci - 25 H.P.	01	United Tech System	UT	586277	2-2249	5715
25VL3	30.5ci - 25 H.P.	01	United Tech System	UT	586277	2-2249	5715

◆ See Buyer's Guide for Optional Units

# STARTERS

Model	Engine	Year	Option	Mfg	KW	OEM #	PART NO.	REF.
<b>JOHNSON - continued</b>								
<b>Engines - Marine Outboard - continued</b>								
28 (Older Models)	31.8ci - 28 H.P.	76-67	United Tech System (11-Tooth)	UT		585061	<b>2-2073-UT</b>	5712
		66	United Tech System (11-Tooth)	UT		585061	<b>2-2073-UT</b>	5712
		65-60	United Tech System (11-Tooth)	UT		585061	<b>2-2073-UT</b>	5712
28ESL	31.8ci - 28 H.P.	96-95	United Tech System (11-Tooth)	UT		585061	<b>2-2073-UT</b>	5712
		94-87	United Tech System (9-Tooth)	UT		583473	<b>2-2161</b>	5714
30E	31.8ci - 30 H.P.	99-98	United Tech System (11-Tooth)	UT		586278	<b>2-2073-UT</b>	5712
		97-95	United Tech System (11-Tooth)	UT		585061	<b>2-2073-UT</b>	5712
		94	United Tech System (11-Tooth)	UT		585061	<b>2-2073-UT</b>	5712
		93-84	United Tech System (9-Tooth)	UT		583473	<b>2-2161</b>	5714
30EL	31.8ci - 30 H.P.	05-98	United Tech System (11-Tooth)	UT		586278	<b>2-2073-UT</b>	5712
		97-95	United Tech System (11-Tooth)	UT		585061	<b>2-2073-UT</b>	5712
		94	United Tech System (11-Tooth)	UT		585061	<b>2-2073-UT</b>	5712
		93-84	United Tech System (9-Tooth)	UT		583473	<b>2-2161</b>	5714
30ES	31.8ci - 30 H.P.	01-00	United Tech System (11-Tooth)	UT		586278	<b>2-2073-UT</b>	5712
30EV	31.8ci - 30 H.P.	01	United Tech System (11-Tooth)	UT		586278	<b>2-2073-UT</b>	5712
30TE	31.8ci - 30 H.P.	98	United Tech System (11-Tooth)	UT		586278	<b>2-2073-UT</b>	5712
		97-95	United Tech System (11-Tooth)	UT		585061	<b>2-2073-UT</b>	5712
		94	United Tech System (11-Tooth)	UT		585061	<b>2-2073-UT</b>	5712
		93-84	United Tech System (9-Tooth)	UT		583473	<b>2-2161</b>	5714
30TEL	31.8ci - 30 H.P.	98	United Tech System (11-Tooth)	UT		586278	<b>2-2073-UT</b>	5712
		97-95	United Tech System (11-Tooth)	UT		585061	<b>2-2073-UT</b>	5712
		94	United Tech System (11-Tooth)	UT		585061	<b>2-2073-UT</b>	5712
		93-85	United Tech System (9-Tooth)	UT		583473	<b>2-2161</b>	5714
35E	31.8ci - 35 H.P.	84-80	United Tech System (11-Tooth)	UT		585061	<b>2-2073-UT</b>	5712
			United Tech System (9-Tooth)	UT		585059	<b>2-2161</b>	5714
35EL	31.8ci - 35 H.P.	84-80	United Tech System (11-Tooth)	UT		585061	<b>2-2073-UT</b>	5712
			United Tech System (9-Tooth)	UT		585059	<b>2-2161</b>	5714
35E3	34.5ci - 35 H.P.	99	United Tech System	UT		586277	<b>2-2249</b>	5715
35EL3	34.5ci - 35 H.P.	99	United Tech System	UT		586277	<b>2-2249</b>	5715
35KL	34.5ci - 35 H.P.	98	United Tech System	UT		586277	<b>2-2249</b>	5715
		97-96	United Tech System	UT		584818	<b>2-2249</b>	5715
35PL3	34.5ci - 35 H.P.	01-99	United Tech System	UT		586277	<b>2-2249</b>	5715
35QL	34.5ci - 35 H.P.	98	United Tech System	UT		586277	<b>2-2249</b>	5715
		97-96	United Tech System	UT		584818	<b>2-2249</b>	5715
35R3	34.5ci - 35 H.P.	01-99	United Tech System	UT		586277	<b>2-2249</b>	5715
35RL3	34.5ci - 35 H.P.	01-99	United Tech System	UT		586277	<b>2-2249</b>	5715
35RV3	34.5ci - 35 H.P.	01	United Tech System	UT		586277	<b>2-2249</b>	5715
35RVL3	34.5ci - 35 H.P.	01	United Tech System	UT		586277	<b>2-2249</b>	5715
35TEL	31.8ci - 35 H.P.	84-83	United Tech System (11-Tooth)	UT		585061	<b>2-2073-UT</b>	5712
			United Tech System (9-Tooth)	UT		585059	<b>2-2161</b>	5714
35TEL3	34.5ci - 35 H.P.	01-99	United Tech System	UT		586277	<b>2-2249</b>	5715
35TKL	34.5ci - 35 H.P.	98	United Tech System	UT		586277	<b>2-2249</b>	5715
		97-96	United Tech System	UT		584818	<b>2-2249</b>	5715
35TVL3	34.5ci - 35 H.P.	01	United Tech System	UT		586277	<b>2-2249</b>	5715
35VL3	34.5ci - 35 H.P.	01	United Tech System	UT		586277	<b>2-2249</b>	5715
40 (Older Models)	44.9ci - 40 H.P.	76-70	Prestolite System (9-Tooth)	PL		387684	<b>2-2789-UT-2</b>	5278
			UT Starter (11-Tooth; 3.454" Hsg.)	UT		585061	<b>2-2073-UT</b>	5712
			UT Starter (9-Tooth; 4.033" Hsg.)	UT		585063	<b>2-2080-UT</b>	5716
40E	44.9ci - 40 H.P.	95-94	UT Starter (9-Tooth; 4.033" Hsg.)	UT		585056	<b>2-2160</b>	5713
		94-89	UT Starter (9-Tooth; 4.033" Hsg.)	UT		583482	<b>2-2160</b>	5713
		88-85	Prestolite System (9-Tooth)	PL		387684	<b>2-2789-UT-2</b>	5278
			UT Starter (11-Tooth; 3.454" Hsg.)	UT		585061	<b>2-2073-UT</b>	5712
40EL	44.9ci - 40 H.P.		UT Starter (9-Tooth; 4.033" Hsg.)	UT		585063	<b>2-2080-UT</b>	5716
		98-94	UT Starter (9-Tooth; 4.033" Hsg.)	UT		585056	<b>2-2160</b>	5713
		94-89	UT Starter (9-Tooth; 4.033" Hsg.)	UT		583482	<b>2-2160</b>	5713
		88-85	Prestolite System (9-Tooth)	PL		387684	<b>2-2789-UT-2</b>	5278
			UT Starter (11-Tooth; 3.454" Hsg.)	UT		585061	<b>2-2073-UT</b>	5712
	UT Starter (9-Tooth; 4.033" Hsg.)	UT		585063	<b>2-2080-UT</b>	5716		
40JPL Jet (3cyl)	44.9ci - 40 H.P.	01-99	UT Starter (9-Tooth; 4.033" Hsg.)	UT		586281	<b>2-2078-UT</b>	5718

Model	Engine	Year	Option	Mfg KW	OEM #	PART NO.	REF.
<b>JOHNSON - continued</b>							
<b>Engines - Marine Outboard - continued</b>							
40PL	44.9ci - 40 H.P.	05-99	UT Starter (9-Tooth; 4.033" Hsg.)	UT	586279	2-2160	5713
40R	44.9ci - 40 H.P.	01-99	UT Starter (9-Tooth; 4.033" Hsg.)	UT	586279	2-2160	5713
		94-89	UT Starter (9-Tooth; 4.033" Hsg.)	UT	583482	2-2160	5713
		88-85	UT Starter (11-Tooth; 3.454" Hsg.)	UT	585061	2-2073-UT	5712
			UT Starter (9-Tooth; 4.033" Hsg.)	UT	585063	2-2080-UT	5716
40TE	44.9ci - 40 H.P.	98-94	UT Starter (9-Tooth; 4.033" Hsg.)	UT	585056	2-2160	5713
		94-89	UT Starter (9-Tooth; 4.033" Hsg.)	UT	583482	2-2160	5713
		88-85	Prestolite System (9-Tooth)	PL	387684	2-2789-UT-2	5278
			UT Starter (11-Tooth; 3.454" Hsg.)	UT	585061	2-2073-UT	5712
40TEL	44.9ci - 40 H.P.	98-94	UT Starter (9-Tooth; 4.033" Hsg.)	UT	585056	2-2160	5713
			UT Starter (9-Tooth; 4.033" Hsg.)	UT	583482	2-2160	5713
		88-85	Prestolite System (9-Tooth)	PL	387684	2-2789-UT-2	5278
			UT Starter (11-Tooth; 3.454" Hsg.)	UT	585061	2-2073-UT	5712
40TL	44.9ci - 40 H.P.	98-94	UT Starter (9-Tooth; 4.033" Hsg.)	UT	585056	2-2160	5713
			UT Starter (9-Tooth; 4.033" Hsg.)	UT	583482	2-2160	5713
		88	Prestolite System (9-Tooth)	PL	387684	2-2789-UT-2	5278
			UT Starter (11-Tooth; 3.454" Hsg.)	UT	585061	2-2073-UT	5712
40TPL	44.9ci - 40 H.P.	98-94	UT Starter (9-Tooth; 4.033" Hsg.)	UT	585056	2-2160	5713
			UT Starter (9-Tooth; 4.033" Hsg.)	UT	583482	2-2160	5713
		88	Prestolite System (9-Tooth)	PL	387684	2-2789-UT-2	5278
			UT Starter (11-Tooth; 3.454" Hsg.)	UT	585061	2-2073-UT	5712
40TTL	44.9ci - 40 H.P.	01-99	UT Starter (9-Tooth; 4.033" Hsg.)	UT	586279	2-2160	5713
48ESL	44.9ci - 48 H.P.	98-94	UT Starter (9-Tooth; 4.033" Hsg.)	UT	585056	2-2160	5713
		94-87	UT Starter (9-Tooth; 4.033" Hsg.)	UT	583482	2-2160	5713
50 (Older Models)	44.9ci - 50 H.P.	79-71	Prestolite System (9-Tooth)	PL	387684	2-2789-UT-2	5278
			Prestolite System (9-Tooth)	UT	389275	2-2080-UT	5281
			UT Starter (9-Tooth; 4.033" Hsg.)	UT	585063	2-2080-UT	5716
50D (3cyl)	56.1ci - 50 H.P.	98	UT Starter (9-Tooth; 4.033" Hsg.)	UT	586281	2-2078-UT	5718
50E	44.9ci - 50 H.P.	80	Prestolite System (9-Tooth)	PL	387684	2-2789-UT-2	5278
			UT Starter (9-Tooth; 4.033" Hsg.)	UT	585063	2-2080-UT	5716
50EL	44.9ci - 50 H.P.	01-99	UT Starter (9-Tooth; 4.033" Hsg.)	UT	586279	2-2160	5713
		80	Prestolite System (9-Tooth)	PL	387684	2-2789-UT-2	5278
			UT Starter (9-Tooth; 4.033" Hsg.)	UT	585063	2-2080-UT	5716
50ESL	44.9ci - 50 H.P.	98-97	UT Starter (9-Tooth; 4.033" Hsg.)	UT	585056	2-2160	5713
50J Jet	44.9ci - 35 H.P.	97-96	United Tech System	UT	585056	2-2160	5713
		95-91	United Tech System	UT	583482	2-2160	5713
50PL	44.9ci - 50 H.P.	05-99	UT Starter (9-Tooth; 4.033" Hsg.)	UT	586279	2-2160	5713
50TEL	44.9ci - 50 H.P.	95-94	UT Starter (9-Tooth; 4.033" Hsg.)	UT	585056	2-2160	5713
		94-89	UT Starter (9-Tooth; 4.033" Hsg.)	UT	583482	2-2160	5713
			Prestolite System (9-Tooth)	PL	387684	2-2789-UT-2	5278
		UT Starter (9-Tooth; 4.033" Hsg.)	UT	585063	2-2080-UT	5716	
50TLE	44.9ci - 50 H.P.	98-94	UT Starter (9-Tooth; 4.033" Hsg.)	UT	585056	2-2160	5713
		94-89	UT Starter (9-Tooth; 4.033" Hsg.)	UT	583482	2-2160	5713
		88-84	Prestolite System (9-Tooth)	PL	387684	2-2789-UT-2	5278
			UT Starter (9-Tooth; 4.033" Hsg.)	UT	585063	2-2080-UT	5716
50TSL	44.9ci - 50 H.P.	98-97	UT Starter (9-Tooth; 4.033" Hsg.)	UT	585056	2-2160	5713
50TT (3cyl)	56.1ci - 50 H.P.	98	UT Starter (9-Tooth; 4.033" Hsg.)	UT	586281	2-2078-UT	5718
60 (Older Models)	44.9ci - 60 H.P.	76-71	Prestolite System (9-Tooth)	PL	387684	2-2789-UT-2	5278
60E (2cyl)	44.9ci - 60 H.P.	82-80	Prestolite System (9-Tooth)	PL	387684	2-2789-UT-2	5278
			Prestolite System (9-Tooth)	UT	389275	2-2080-UT	5281
			UT Starter (9-Tooth; 4.033" Hsg.)	UT	585063	2-2080-UT	5716
60EL	49.7ci - 60 H.P.	88-86	United Tech System (9-Tooth)	UT	386657	2-2078-UT	5718
60EL (2cyl)	44.9ci - 60 H.P.	85-80	Prestolite System (9-Tooth)	PL	387684	2-2789-UT-2	5278
			Prestolite System (9-Tooth)	UT	389275	2-2080-UT	5281
			UT Starter (9-Tooth; 4.033" Hsg.)	UT	585063	2-2080-UT	5716
60PL	56.1ci - 60 H.P.	01-99	United Tech System (9-Tooth)	UT	586281	2-2078-UT	5718
60TL	56.1ci - 60 H.P.	98	United Tech System (9-Tooth)	UT	586281	2-2078-UT	5718

◆ See Buyer's Guide for Optional Units

# STARTERS

Model	Engine	Year	Option	Mfg	KW	OEM #	PART NO.	REF.
<b>JOHNSON - continued</b>								
<b>Engines - Marine Outboard - continued</b>								
60TL (2cyl)	44.9ci - 60 H.P.	85-84	Prestolite System (9-Tooth)	PL	387684		<b>2-2789-UT-2</b>	5278
			Prestolite System (9-Tooth)	UT	389275		<b>2-2080-UT</b>	5281
			UT Starter (9-Tooth; 4.033" Hsg.)	UT	585063		<b>2-2080-UT</b>	5716
60TTL	56.1ci - 60 H.P.	98	United Tech System (9-Tooth)	UT	586281		<b>2-2078-UT</b>	5718
65 (Older Models)	44.9ci - 65 H.P.	79-69	United Tech System (9-Tooth)	UT	386657		<b>2-2078-UT</b>	5718
65CWML	49.7ci - 65 H.P.	87	United Tech System (9-Tooth)	UT	386657		<b>2-2078-UT</b>	5718
65RWL	49.7ci - 65 H.P.	86-85	United Tech System (9-Tooth)	UT	386657		<b>2-2078-UT</b>	5718
65TEL	49.7ci - 65 H.P.	86-85	United Tech System (9-Tooth)	UT	386657		<b>2-2078-UT</b>	5718
65W	56.1ci - 65 H.P.	01-99	United Tech System (9-Tooth)	UT	586281		<b>2-2078-UT</b>	5718
70 (Older Models)	49.7ci - 70 H.P.	79-71	Prestolite System (9-Tooth)	PL	387684		<b>2-2789-UT-2</b>	5278
70EL	49.7ci - 70 H.P.	85-80	United Tech System (9-Tooth)	UT	386657		<b>2-2078-UT</b>	5718
70PL	56.1ci - 70 H.P.	01-99	United Tech System (9-Tooth)	UT	586281		<b>2-2078-UT</b>	5718
70TL	49.7ci - 70 H.P.	85-84	United Tech System (9-Tooth)	UT	386657		<b>2-2078-UT</b>	5718
	56.1ci - 70 H.P.	98	United Tech System (9-Tooth)	UT	586281		<b>2-2078-UT</b>	5718
70VL	56.1ci - 70 H.P.	01	United Tech System (9-Tooth)	UT	586281		<b>2-2078-UT</b>	5718
75 (Older Models)	49.7ci - 70 H.P.	79-71	Prestolite System (9-Tooth)	PL	387684		<b>2-2789-UT-2</b>	5278
75E	49.7ci - 75 H.P.	88-80	United Tech System (9-Tooth)	UT	386657		<b>2-2078-UT</b>	5718
75ER	49.7ci - 75 H.P.	83	United Tech System (9-Tooth)	UT	386657		<b>2-2078-UT</b>	5718
75ERL	49.7ci - 75 H.P.	80	United Tech System (9-Tooth)	UT	386657		<b>2-2078-UT</b>	5718
75TL	49.7ci - 75 H.P.	84-80	United Tech System (9-Tooth)	UT	386657		<b>2-2078-UT</b>	5718
75TRL	49.7ci - 75 H.P.	83	United Tech System (9-Tooth)	UT	386657		<b>2-2078-UT</b>	5718
85 (Older Models)	99.6ci - 85 H.P.	79-64	United Tech System (Small Gear)	UT	389954		<b>2-2079-UT</b>	5719
85ML	99.6ci - 85 H.P.	80	United Tech System (10-Tooth)	UT	389954		<b>2-2079-UT</b>	5719
85TL	99.6ci - 85 H.P.	80	United Tech System (10-Tooth)	UT	389954		<b>2-2079-UT</b>	5719
85TTL	99.6ci - 85 H.P.	95-94	United Tech System (10-Tooth)	UT	585057		<b>2-2166</b>	5722
		94-91	United Tech System (10-Tooth)	UT	389954		<b>2-2079-UT</b>	5719
88MSL	99.6ci - 88 H.P.	96-94	United Tech System (10-Tooth)	UT	585057		<b>2-2166</b>	5722
		94-87	United Tech System (10-Tooth)	UT	389954		<b>2-2079-UT</b>	5719
88TSL	99.6ci - 88 H.P.	96-94	United Tech System (10-Tooth)	UT	585057		<b>2-2166</b>	5722
		94	United Tech System (10-Tooth)	UT	389954		<b>2-2079-UT</b>	5719
90 (Older Models)	99.6ci - 90 H.P.	77-70	United Tech System (Small Gear)	UT	389954		<b>2-2079-UT</b>	5719
90EL	99.6ci - 90 H.P.	98	United Tech System	UT	586284		<b>2-2257</b>	5720
		97-95	United Tech System	UT	584980		<b>2-2257</b>	5720
90EX	99.6ci - 90 H.P.	95	United Tech System	UT	584980		<b>2-2257</b>	5720
90FS	105.4ci - 90 H.P.	98	United Tech System	UT	586287		<b>2-2783-UT-2</b>	5762
90FT	105.4ci - 90 H.P.	98	United Tech System	UT	586287		<b>2-2783-UT-2</b>	5762
90GL	105.4ci - 90 H.P.	06-03	United Tech System	UT	586284		<b>2-2257</b>	5720
90J	99.6ci - 65 H.P.	95-94	United Tech System (10-Tooth)	UT	585057		<b>2-2166</b>	5722
		94-91	United Tech System (10-Tooth)	UT	389954		<b>2-2079-UT</b>	5719
90ML	99.6ci - 90 H.P.	96-95	United Tech System (10-Tooth)	UT	585057		<b>2-2166</b>	5722
		86-81	United Tech System (10-Tooth)	UT	389954		<b>2-2079-UT</b>	5719
90PL	105.4ci - 90 H.P.	06-99	United Tech System	UT	586284		<b>2-2257</b>	5720
90PX	105.4ci - 90 H.P.	06-04	United Tech System	UT	586284		<b>2-2257</b>	5720
90SL	99.6ci - 90 H.P.	98	United Tech System	UT	586284		<b>2-2257</b>	5720
		97-95	United Tech System	UT	584980		<b>2-2257</b>	5720
90TL	99.6ci - 90 H.P.	96-94	United Tech System (10-Tooth)	UT	585057		<b>2-2166</b>	5722
		94-81	United Tech System (10-Tooth)	UT	389954		<b>2-2079-UT</b>	5719
90TSL	99.6ci - 90 H.P.	98-97	United Tech System (10-Tooth)	UT	585057		<b>2-2166</b>	5722
90TX	99.6ci - 90 H.P.	94	United Tech System (10-Tooth)	UT	585057		<b>2-2166</b>	5722
		94-93	United Tech System (10-Tooth)	UT	389954		<b>2-2079-UT</b>	5719
		86-81	United Tech System (10-Tooth)	UT	389954		<b>2-2079-UT</b>	5719
90TXL	99.6ci - 90 H.P.	82	United Tech System (10-Tooth)	UT	389954		<b>2-2079-UT</b>	5719
90VL	105.4ci - 90 H.P.	06-02	United Tech System	UT	586284		<b>2-2257</b>	5720
100 (Older Models)	99.6ci - 100 H.P.	79-69	United Tech System (Small Gear)	UT	389954		<b>2-2079-UT</b>	5719
100CTL	99.6ci - 100 H.P.	87	United Tech System (10-Tooth)	UT	389954		<b>2-2079-UT</b>	5719
100CWTX	99.6ci - 100 H.P.	87	United Tech System (10-Tooth)	UT	389954		<b>2-2079-UT</b>	5719
100ML	99.6ci - 100 H.P.	80	United Tech System (10-Tooth)	UT	389954		<b>2-2079-UT</b>	5719
100STL	99.6ci - 100 H.P.	95-94	United Tech System (10-Tooth)	UT	585057		<b>2-2166</b>	5722
		94-89	United Tech System (10-Tooth)	UT	389954		<b>2-2079-UT</b>	5719

♦ See Buyer's Guide for Optional Units

Model	Engine	Year	Option	Mfg KW	OEM #	PART NO.	REF.
<b>JOHNSON - continued</b>							
<b>Engines - Marine Outboard - continued</b>							
100TRL	99.6ci - 100 H.P.	80	United Tech System (10-Tooth)	UT	389954	2-2079-UT	5719
100TRX	99.6ci - 100 H.P.	80	United Tech System (10-Tooth)	UT	389954	2-2079-UT	5719
100WML	99.6ci - 100 H.P.	86-85	United Tech System (10-Tooth)	UT	389954	2-2079-UT	5719
100WVP	99.6ci - 100 H.P.	01-99	United Tech System	UT	586284	2-2257	5720
100WQ	99.6ci - 100 H.P.	98	United Tech System	UT	586284	2-2257	5720
100WT	99.6ci - 100 H.P.	97-94	United Tech System (10-Tooth)	UT	585057	2-2166	5722
		94-85	United Tech System (10-Tooth)	UT	389954	2-2079-UT	5719
110ML	99.6ci - 110 H.P.	89-86	United Tech System (10-Tooth)	UT	389954	2-2079-UT	5719
110TL	99.6ci - 110 H.P.	89-86	United Tech System (10-Tooth)	UT	389954	2-2079-UT	5719
110TX	99.6ci - 110 H.P.	89-87	United Tech System (10-Tooth)	UT	389954	2-2079-UT	5719
112TSL	99.6ci - 112 H.P.	96-94	United Tech System (10-Tooth)	UT	585057	2-2166	5722
112TSX	99.6ci - 112 H.P.	96-94	United Tech System (10-Tooth)	UT	585057	2-2166	5722
115 (Older Models)	99.6ci - 115 H.P.	79-73	United Tech System (10-Tooth)	UT	389954	2-2079-UT	5719
115EL	105.4ci - 115 H.P.	98	United Tech System	UT	586284	2-2257	5720
		97-95	United Tech System	UT	584980	2-2257	5720
115FS	115 H.P.	98	United Tech System	UT	586287	2-2783-UT-2	5762
115FT	115 H.P.	98	United Tech System	UT	586287	2-2783-UT-2	5762
115GL	105.4ci - 115 H.P.	06-03	United Tech System	UT	586284	2-2257	5720
		98	United Tech System	UT	586284	2-2257	5720
		97-95	United Tech System	UT	584980	2-2257	5720
115J Jet	99.6ci - 80 H.P.	97-94	United Tech System (10-Tooth)	UT	585057	2-2166	5722
		93-91	United Tech System (10-Tooth)	UT	389954	2-2079-UT	5719
	105.4ci - 80 H.P.	01-98	United Tech System	UT	586284	2-2257	5720
115ML	99.6ci - 115 H.P.	95-94	United Tech System (10-Tooth)	UT	585057	2-2166	5722
		94-90	United Tech System (10-Tooth)	UT	389954	2-2079-UT	5719
		84-80	United Tech System (10-Tooth)	UT	389954	2-2079-UT	5719
115PL	105.4ci - 115 H.P.	06-99	United Tech System	UT	586284	2-2257	5720
115PX	105.4ci - 115 H.P.	06-99	United Tech System	UT	586284	2-2257	5720
115SL	105.4ci - 115 H.P.	98	United Tech System	UT	586284	2-2257	5720
		97-95	United Tech System	UT	584980	2-2257	5720
115SP	105.4ci - 115 H.P.	00-99	United Tech System	UT	586284	2-2257	5720
115SX	105.4ci - 115 H.P.	98	United Tech System	UT	586284	2-2257	5720
		97-95	United Tech System	UT	584980	2-2257	5720
115TL	99.6ci - 115 H.P.	96-94	United Tech System (10-Tooth)	UT	585057	2-2166	5722
		94-90	United Tech System (10-Tooth)	UT	389954	2-2079-UT	5719
		84-80	United Tech System (10-Tooth)	UT	389954	2-2079-UT	5719
115TSL	99.6ci - 115 H.P.	98-97	United Tech System (10-Tooth)	UT	585057	2-2166	5722
115TSX	99.6ci - 115 H.P.	98-97	United Tech System (10-Tooth)	UT	585057	2-2166	5722
115TX	99.6ci - 115 H.P.	96-94	United Tech System (10-Tooth)	UT	585057	2-2166	5722
		94-90	United Tech System (10-Tooth)	UT	389954	2-2079-UT	5719
		85-80	United Tech System (10-Tooth)	UT	389954	2-2079-UT	5719
115VL	105.4ci - 115 H.P.	02-00	United Tech System	UT	586284	2-2257	5720
115VX	105.4ci - 115 H.P.	02-00	United Tech System	UT	586284	2-2257	5720
115WVP	105.4ci - 115 H.P.	05-04	United Tech System	UT	586284	2-2257	5720
120TL	110.0ci - 120 H.P.	87-85	United Tech System (10-Tooth)	UT	393570	2-2159	5721
	122.0ci - 120 H.P.	94-88	United Tech System (10-Tooth)	UT	393570	2-2159	5721
120TX	110.0ci - 120 H.P.	87-85	United Tech System (10-Tooth)	UT	393570	2-2159	5721
	122.0ci - 120 H.P.	94-88	United Tech System (10-Tooth)	UT	393570	2-2159	5721
125 (Older Models)	110ci - 125 H.P.	77-73	United Tech System (10-Tooth)	UT	389954	2-2079-UT	5719
130CX	122.0ci - 130 H.P.	96-95	United Tech System (10-Tooth)	UT	585060	2-2159	5721
130PL	122.0ci - 130 H.P.	00-99	United Tech System (10-Tooth)	UT	586285	2-2159	5721
130PX	122.0ci - 130 H.P.	00-99	United Tech System (10-Tooth)	UT	586285	2-2159	5721
130TL	122.0ci - 130 H.P.	98-95	United Tech System (10-Tooth)	UT	585060	2-2159	5721
130TX	122.0ci - 130 H.P.	98-95	United Tech System (10-Tooth)	UT	585060	2-2159	5721
130VX	122.0ci - 130 H.P.	00	United Tech System (10-Tooth)	UT	586285	2-2159	5721
135 (Older Models)	122.0ci - 135 H.P.	77-73	United Tech System (10-Tooth)	UT	389954	2-2079-UT	5719
135PL	135 H.P.	01	United Tech System (10-Tooth)	UT	586285	2-2159	5721
135VL	135 H.P.	01	United Tech System (10-Tooth)	UT	586285	2-2159	5721
135VX	135 H.P.	01	United Tech System (10-Tooth)	UT	586285	2-2159	5721

◆ See Buyer's Guide for Optional Units

# STARTERS

Model	Engine	Year	Option	Mfg	KW	OEM #	PART NO.	REF.
<b>JOHNSON - continued</b>								
<b>Engines - Marine Outboard - continued</b>								
140 (Older Models)	99.6ci - 140 H.P.	79-73	United Tech System (10-Tooth)	UT	389954		<b>2-2079-UT</b>	5719
140CX	122.0ci - 140 H.P.	94-88	United Tech System (10-Tooth)	UT	393570		<b>2-2159</b>	5721
140ML	99.6ci - 140 H.P.	80	United Tech System (10-Tooth)	UT	389954		<b>2-2079-UT</b>	5719
140TL	99.6ci - 140 H.P.	84-80	United Tech System (10-Tooth)	UT	389954		<b>2-2079-UT</b>	5719
	110.0ci - 140 H.P.	87-85	United Tech System (10-Tooth)	UT	393570		<b>2-2159</b>	5721
	122.0ci - 140 H.P.	94-88	United Tech System (10-Tooth)	UT	393570		<b>2-2159</b>	5721
140TRL	99.6ci - 140 H.P.	83	United Tech System (10-Tooth)	UT	389954		<b>2-2079-UT</b>	5719
140TRX	99.6ci - 140 H.P.	83	United Tech System (10-Tooth)	UT	389954		<b>2-2079-UT</b>	5719
140TX	99.6ci - 140 H.P.	84-80	United Tech System (10-Tooth)	UT	389954		<b>2-2079-UT</b>	5719
	110.0ci - 140 H.P.	87-85	United Tech System (10-Tooth)	UT	393570		<b>2-2159</b>	5721
	122.0ci - 140 H.P.	94-88	United Tech System (10-Tooth)	UT	393570		<b>2-2159</b>	5721
140TXL	99.6ci - 140 H.P.	82	United Tech System (10-Tooth)	UT	389954		<b>2-2079-UT</b>	5719
150 (Older Models)	149.4ci - 150 H.P.	79-77	Prestolite System (8-Tooth)	UT	387094		<b>2-2074-UT</b>	5294
			United Tech System (8-Tooth)	UT	395207		<b>2-2074-UT</b>	5709
150CX	149.4ci - 150 H.P.	91-88	Prestolite System (8-Tooth)	UT	387094		<b>2-2074-UT</b>	5294
			United Tech System (8-Tooth)	UT	395207		<b>2-2074-UT</b>	5709
	158.0ci - 150 H.P.	06-02	United Tech System	UT	586287		<b>2-2783-UT-2</b>	5762
		00-99	United Tech System	UT	586286		<b>2-2162</b>	5741
150EL	158.0ci - 150 H.P.	98-91	United Tech System	UT	432925		<b>2-2162</b>	5741
150EX	158.0ci - 150 H.P.	98-91	United Tech System	UT	432925		<b>2-2162</b>	5741
150FCX	158.0ci - 150 H.P.	98	United Tech System	UT	586287		<b>2-2783-UT-2</b>	5762
150FSL	158.0ci - 150 H.P.	98	United Tech System	UT	586287		<b>2-2783-UT-2</b>	5762
150FXS	158.0ci - 150 H.P.	98	United Tech System	UT	586287		<b>2-2783-UT-2</b>	5762
150GL	158.0ci - 150 H.P.	06-03	United Tech System	UT	586287		<b>2-2783-UT-2</b>	5762
		98-91	United Tech System	UT	432925		<b>2-2162</b>	5741
150IC	158.0ci - 150 H.P.	98-97	United Tech System	UT	586287		<b>2-2783-UT-2</b>	5762
150IL	158.0ci - 150 H.P.	98-97	United Tech System	UT	586287		<b>2-2783-UT-2</b>	5762
150IX	158.0ci - 150 H.P.	98-97	United Tech System	UT	586287		<b>2-2783-UT-2</b>	5762
150J Jet	149.4ci - 105 H.P.	91	United Tech System	UT	432925		<b>2-2162</b>	5741
		01-99	United Tech System	UT	586287		<b>2-2783-UT-2</b>	5762
			92	United Tech System	UT	432925		<b>2-2162</b>
150ML	158.0ci - 150 H.P.	05-03	United Tech System	UT	586287		<b>2-2783-UT-2</b>	5762
150MX	158.0ci - 150 H.P.	05-03	United Tech System	UT	586287		<b>2-2783-UT-2</b>	5762
150NX	158.0ci - 150 H.P.	98-91	United Tech System	UT	432925		<b>2-2162</b>	5741
150PL	158.0ci - 150 H.P.	06-02	United Tech System	UT	586287		<b>2-2783-UT-2</b>	5762
		01-99	United Tech System	UT	586286		<b>2-2162</b>	5741
		06-02	United Tech System	UT	586287		<b>2-2783-UT-2</b>	5762
150PX	158.0ci - 150 H.P.	06-02	United Tech System	UT	586287		<b>2-2783-UT-2</b>	5762
		01-99	United Tech System	UT	586286		<b>2-2162</b>	5741
150SL	158.0ci - 150 H.P.	98-95	United Tech System	UT	432925		<b>2-2162</b>	5741
150SP	158.0ci - 150 H.P.	00-99	United Tech System	UT	586286		<b>2-2162</b>	5741
150STL	149.4ci - 150 H.P.	90-84	Prestolite System (8-Tooth)	UT	387094		<b>2-2074-UT</b>	5294
			United Tech System (8-Tooth)	UT	395207		<b>2-2074-UT</b>	5709
	158.0ci - 150 H.P.	91	United Tech System	UT	432925		<b>2-2162</b>	5741
150TL	149.4ci - 150 H.P.	91-80	Prestolite System (8-Tooth)	UT	387094		<b>2-2074-UT</b>	5294
			United Tech System (8-Tooth)	UT	395207		<b>2-2074-UT</b>	5709
150TRL	149.4ci - 150 H.P.	83	Prestolite System (8-Tooth)	UT	387094		<b>2-2074-UT</b>	5294
			United Tech System (8-Tooth)	UT	395207		<b>2-2074-UT</b>	5709
150TRX	149.4ci - 150 H.P.	83	Prestolite System (8-Tooth)	UT	387094		<b>2-2074-UT</b>	5294
			United Tech System (8-Tooth)	UT	395207		<b>2-2074-UT</b>	5709
150TX	149.4ci - 150 H.P.	91-80	Prestolite System (8-Tooth)	UT	387094		<b>2-2074-UT</b>	5294
			United Tech System (8-Tooth)	UT	395207		<b>2-2074-UT</b>	5709
150VC	158.0ci - 150 H.P.	01-00	United Tech System	UT	586286		<b>2-2162</b>	5741
150VL	158.0ci - 150 H.P.	02	United Tech System	UT	586287		<b>2-2783-UT-2</b>	5762
		01-00	United Tech System	UT	586286		<b>2-2162</b>	5741
150VX	158.0ci - 150 H.P.	01-00	United Tech System	UT	586286		<b>2-2162</b>	5741
150WP	158.0ci - 150 H.P.	01-99	United Tech System	UT	586286		<b>2-2162</b>	5741
150WTL	158.0ci - 150 H.P.	95-93	United Tech System	UT	432925		<b>2-2162</b>	5741
150WTX	158.0ci - 150 H.P.	95-93	United Tech System	UT	432925		<b>2-2162</b>	5741

♦ See Buyer's Guide for Optional Units

Model	Engine	Year	Option	Mfg KW	OEM #	PART NO.	REF.
<b>JOHNSON - continued</b>							
<b>Engines - Marine Outboard - continued</b>							
155CTL	149.4ci - 155 H.P.	87	Prestolite System (8-Tooth)	UT	387094	2-2074-UT	5294
			United Tech System (8-Tooth)	UT	395207	2-2074-UT	5709
155CWTX	149.4ci - 155 H.P.	87	Prestolite System (8-Tooth)	UT	387094	2-2074-UT	5294
			United Tech System (8-Tooth)	UT	395207	2-2074-UT	5709
155WTL	149.4ci - 155 H.P.	92-90	Prestolite System (8-Tooth)	UT	387094	2-2074-UT	5294
			United Tech System (8-Tooth)	UT	395207	2-2074-UT	5709
		86-85	Prestolite System (8-Tooth)	UT	387094	2-2074-UT	5294
			United Tech System (8-Tooth)	UT	395207	2-2074-UT	5709
155WTLM	149.4ci - 155 H.P.	88	Prestolite System (8-Tooth)	UT	387094	2-2074-UT	5294
			United Tech System (8-Tooth)	UT	395207	2-2074-UT	5709
155WTLZ	149.4ci - 155 H.P.	89	Prestolite System (8-Tooth)	UT	387094	2-2074-UT	5294
			United Tech System (8-Tooth)	UT	395207	2-2074-UT	5709
155WTX	149.4ci - 155 H.P.	92-90	Prestolite System (8-Tooth)	UT	387094	2-2074-UT	5294
			United Tech System (8-Tooth)	UT	395207	2-2074-UT	5709
		86-85	Prestolite System (8-Tooth)	UT	387094	2-2074-UT	5294
			United Tech System (8-Tooth)	UT	395207	2-2074-UT	5709
155WTXM	149.4ci - 155 H.P.	88	Prestolite System (8-Tooth)	UT	387094	2-2074-UT	5294
			United Tech System (8-Tooth)	UT	395207	2-2074-UT	5709
155WTXZ	149.4ci - 155 H.P.	89	Prestolite System (8-Tooth)	UT	387094	2-2074-UT	5294
			United Tech System (8-Tooth)	UT	395207	2-2074-UT	5709
175 (Older Models)	149.4ci - 175 H.P.	79-77	Prestolite System (8-Tooth)	UT	387094	2-2074-UT	5294
			United Tech System (8-Tooth)	UT	395207	2-2074-UT	5709
175CX	158.0ci - 175 H.P.	05-02	United Tech System	UT	586287	2-2783-UT-2	5762
		00-99	United Tech System	UT	586286	2-2162	5741
175EX	158.0ci - 175 H.P.	98-91	United Tech System	UT	432925	2-2162	5741
175FC	158.0ci - 175 H.P.	98	United Tech System	UT	586287	2-2783-UT-2	5762
175FS	158.0ci - 175 H.P.	98	United Tech System	UT	586287	2-2783-UT-2	5762
175FT	158.0ci - 175 H.P.	98	United Tech System	UT	586287	2-2783-UT-2	5762
175GL	158.0ci - 175 H.P.	06-03	United Tech System	UT	586287	2-2783-UT-2	5762
		98-91	United Tech System	UT	432925	2-2162	5741
175MX	158.0ci - 175 H.P.	06-03	United Tech System	UT	586287	2-2783-UT-2	5762
175NX	158.0ci - 175 H.P.	98-91	United Tech System	UT	432925	2-2162	5741
175PL	158.0ci - 175 H.P.	06-02	United Tech System	UT	586287	2-2783-UT-2	5762
		00-99	United Tech System	UT	586286	2-2162	5741
175PX	158.0ci - 175 H.P.	06-02	United Tech System	UT	586287	2-2783-UT-2	5762
		00-99	United Tech System	UT	586286	2-2162	5741
175SL	158.0ci - 175 H.P.	98-94	United Tech System	UT	432925	2-2162	5741
175SP	158.0ci - 175 H.P.	00-99	United Tech System	UT	586286	2-2162	5741
175STL	160.3ci - 175 H.P.	91-90	Prestolite System (8-Tooth)	UT	387094	2-2074-UT	5294
			United Tech System (8-Tooth)	UT	395207	2-2074-UT	5709
175TL	149.4ci - 175 H.P.	82-80	Prestolite System (8-Tooth)	UT	387094	2-2074-UT	5294
			United Tech System (8-Tooth)	UT	395207	2-2074-UT	5709
	160.3ci - 175 H.P.	89-86	Prestolite System (8-Tooth)	UT	387094	2-2074-UT	5294
			United Tech System (8-Tooth)	UT	395207	2-2074-UT	5709
175TRL	149.4ci - 175 H.P.	83	Prestolite System (8-Tooth)	UT	387094	2-2074-UT	5294
			United Tech System (8-Tooth)	UT	395207	2-2074-UT	5709
175TRX	149.4ci - 175 H.P.	83	Prestolite System (8-Tooth)	UT	387094	2-2074-UT	5294
			United Tech System (8-Tooth)	UT	395207	2-2074-UT	5709
175TX	149.4ci - 175 H.P.	81-80	Prestolite System (8-Tooth)	UT	387094	2-2074-UT	5294
			United Tech System (8-Tooth)	UT	395207	2-2074-UT	5709
	160.3ci - 175 H.P.	91-86	Prestolite System (8-Tooth)	UT	387094	2-2074-UT	5294
			United Tech System (8-Tooth)	UT	395207	2-2074-UT	5709
175TXL	149.4ci - 175 H.P.	82	Prestolite System (8-Tooth)	UT	387094	2-2074-UT	5294
			United Tech System (8-Tooth)	UT	395207	2-2074-UT	5709
175VC	158.0ci - 175 H.P.	01-00	United Tech System	UT	586286	2-2162	5741
175VL	158.0ci - 175 H.P.	02	United Tech System	UT	586287	2-2783-UT-2	5762
		01-00	United Tech System	UT	586286	2-2162	5741
175VX	158.0ci - 175 H.P.	01-00	United Tech System	UT	586286	2-2162	5741

◆ See Buyer's Guide for Optional Units



# STARTERS

Model	Engine	Year	Option	Mfg	KW	OEM #	PART NO.	REF.	
<b>JOHNSON - continued</b>									
<b>Engines - Marine Outboard - continued</b>									
185E	185 H.P.	94-93	United Tech System	UT	584799		<b>2-2155</b>	5723	
		92-89	United Tech System	UT	396235		<b>2-2155</b>	5723	
185TL	149.4ci - 185 H.P.	85-84	Prestolite System (8-Tooth)	UT	387094		<b>2-2074-UT</b>	5294	
			United Tech System (8-Tooth)	UT	395207		<b>2-2074-UT</b>	5709	
185TX	149.4ci - 185 H.P.	85-84	Prestolite System (8-Tooth)	UT	387094		<b>2-2074-UT</b>	5294	
			United Tech System (8-Tooth)	UT	395207		<b>2-2074-UT</b>	5709	
200 (Older Models)	149.4ci - 200 H.P.	79-77	Prestolite System (8-Tooth)	UT	387094		<b>2-2074-UT</b>	5294	
			United Tech System (8-Tooth)	UT	395207		<b>2-2074-UT</b>	5709	
200CX	183.0ci - 200 H.P.	01-99	United Tech System	UT	586411		<b>2-2155</b>	5723	
			98	United Tech System	UT	586289		<b>2-2155</b>	5723
			97-93	United Tech System	UT	584799		<b>2-2155</b>	5723
			92-88	United Tech System	UT	396235		<b>2-2155</b>	5723
200CZ	183.0ci - 200 H.P.	95-93	United Tech System	UT	584799		<b>2-2155</b>	5723	
200PL	183.0ci - 200 H.P.	01-99	United Tech System	UT	586411		<b>2-2155</b>	5723	
200PX	183.0ci - 200 H.P.	00-99	United Tech System	UT	586411		<b>2-2155</b>	5723	
200SCL	183.0ci - 200 H.P.	90-88	United Tech System	UT	391511		<b>2-2155</b>	5723	
200SL	183.0ci - 200 H.P.	96	United Tech System	UT	391511		<b>2-2155</b>	5723	
200STL	160.3ci - 200 H.P.	86	Prestolite System (8-Tooth)	UT	387094		<b>2-2074-UT</b>	5294	
	165.0ci - 200 H.P.	87	United Tech System (8-Tooth)	UT	395207		<b>2-2074-UT</b>	5709	
	183.0ci - 200 H.P.	98	United Tech System	UT	586289		<b>2-2155</b>	5723	
		97-93	United Tech System	UT	584799		<b>2-2155</b>	5723	
		92-88	United Tech System	UT	396235		<b>2-2155</b>	5723	
200TL	149.4ci - 200 H.P.	82-80	Prestolite System (8-Tooth)	UT	387094		<b>2-2074-UT</b>	5294	
			United Tech System (8-Tooth)	UT	395207		<b>2-2074-UT</b>	5709	
	183.0ci - 200 H.P.	98	United Tech System	UT	586289		<b>2-2155</b>	5723	
200TRL	149.4ci - 200 H.P.	83	Prestolite System (8-Tooth)	UT	387094		<b>2-2074-UT</b>	5294	
			United Tech System (8-Tooth)	UT	395207		<b>2-2074-UT</b>	5709	
200TRX	149.4ci - 200 H.P.	83	Prestolite System (8-Tooth)	UT	387094		<b>2-2074-UT</b>	5294	
			United Tech System (8-Tooth)	UT	395207		<b>2-2074-UT</b>	5709	
200TX	149.4ci - 200 H.P.	81-80	Prestolite System (8-Tooth)	UT	387094		<b>2-2074-UT</b>	5294	
			United Tech System (8-Tooth)	UT	395207		<b>2-2074-UT</b>	5709	
	183.0ci - 200 H.P.	98	United Tech System	UT	586289		<b>2-2155</b>	5723	
		97-93	United Tech System	UT	584799		<b>2-2155</b>	5723	
		92-88	United Tech System	UT	396235		<b>2-2155</b>	5723	
200TXL	149.4ci - 200 H.P.	82	Prestolite System (8-Tooth)	UT	387094		<b>2-2074-UT</b>	5294	
			United Tech System (8-Tooth)	UT	395207		<b>2-2074-UT</b>	5709	
200TZ	183.0ci - 200 H.P.	95-93	United Tech System	UT	584799		<b>2-2155</b>	5723	
200VCX	183.0ci - 200 H.P.	01-00	United Tech System	UT	586411		<b>2-2155</b>	5723	
200VL	183.0ci - 200 H.P.	01	United Tech System	UT	586411		<b>2-2155</b>	5723	
200VX	183.0ci - 200 H.P.	01-00	United Tech System	UT	586411		<b>2-2155</b>	5723	
200WPX	183.0ci - 200 H.P.	01-99	United Tech System	UT	586411		<b>2-2155</b>	5723	
225 (Older Models)	160.3ci - 225 H.P.	79-77	Prestolite System (8-Tooth)	UT	387094		<b>2-2074-UT</b>	5294	
			United Tech System (8-Tooth)	UT	395207		<b>2-2074-UT</b>	5709	
225CL	165.0ci - 225 H.P.	87	Prestolite System (8-Tooth)	UT	387094		<b>2-2074-UT</b>	5294	
			United Tech System (8-Tooth)	UT	395207		<b>2-2074-UT</b>	5709	
	183.0ci - 225 H.P.	90-88	United Tech System	UT	391511		<b>2-2155</b>	5723	
225CX	165.0ci - 225 H.P.	87	Prestolite System (8-Tooth)	UT	387094		<b>2-2074-UT</b>	5294	
			United Tech System (8-Tooth)	UT	395207		<b>2-2074-UT</b>	5709	
	183.0ci - 225 H.P.	00-99	United Tech System	UT	586411		<b>2-2155</b>	5723	
		98	United Tech System	UT	586289		<b>2-2155</b>	5723	
		97-93	United Tech System	UT	584799		<b>2-2155</b>	5723	
225CZ	183.0ci - 225 H.P.	98	United Tech System	UT	586289		<b>2-2155</b>	5723	
			97-93	United Tech System	UT	584799		<b>2-2155</b>	5723
225HGL	183.0ci - 225 H.P.	01-00	United Tech System	UT	586411		<b>2-2155</b>	5723	
225HPL	183.0ci - 225 H.P.	01-99	United Tech System	UT	586411		<b>2-2155</b>	5723	
225PL	165.0ci - 225 H.P.	87	Prestolite System (8-Tooth)	UT	387094		<b>2-2074-UT</b>	5294	
			United Tech System (8-Tooth)	UT	395207		<b>2-2074-UT</b>	5709	

♦ See Buyer's Guide for Optional Units

Model	Engine	Year	Option	Mfg KW	OEM #	PART NO.	REF.
<b>JOHNSON - continued</b>							
<b>Engines - Marine Outboard - continued</b>							
225PL	183.0ci - 225 H.P.	01-99	United Tech System	UT	586411	2-2155	5723
		94-93	United Tech System	UT	584799	2-2155	5723
		92-88	United Tech System	UT	396235	2-2155	5723
225PTL	160.3ci - 225 H.P.	86	Prestolite System (8-Tooth)	UT	387094	2-2074-UT	5294
			United Tech System (8-Tooth)	UT	395207	2-2074-UT	5709
225PTX	160.3ci - 225 H.P.	86	Prestolite System (8-Tooth)	UT	387094	2-2074-UT	5294
			United Tech System (8-Tooth)	UT	395207	2-2074-UT	5709
225PX	165.0ci - 225 H.P.	87	Prestolite System (8-Tooth)	UT	387094	2-2074-UT	5294
			United Tech System (8-Tooth)	UT	395207	2-2074-UT	5709
	183.0ci - 225 H.P.	00-99	United Tech System	UT	586411	2-2155	5723
94-93		United Tech System	UT	584799	2-2155	5723	
92-88		United Tech System	UT	396235	2-2155	5723	
225PZ	183.0ci - 225 H.P.	95-93	United Tech System	UT	584799	2-2155	5723
225STL	183.0ci - 225 H.P.	98	United Tech System	UT	586289	2-2155	5723
		97-93	United Tech System	UT	584799	2-2155	5723
225TL	160.3ci - 225 H.P.	86	Prestolite System (8-Tooth)	UT	387094	2-2074-UT	5294
			United Tech System (8-Tooth)	UT	395207	2-2074-UT	5709
	165.0ci - 225 H.P.	87	Prestolite System (8-Tooth)	UT	387094	2-2074-UT	5294
			United Tech System (8-Tooth)	UT	395207	2-2074-UT	5709
	183.0ci - 225 H.P.	94-93	United Tech System	UT	584799	2-2155	5723
		92-88	United Tech System	UT	396235	2-2155	5723
225TX	160.3ci - 225 H.P.	86	Prestolite System (8-Tooth)	UT	387094	2-2074-UT	5294
			United Tech System (8-Tooth)	UT	395207	2-2074-UT	5709
	165.0ci - 225 H.P.	87	Prestolite System (8-Tooth)	UT	387094	2-2074-UT	5294
			United Tech System (8-Tooth)	UT	395207	2-2074-UT	5709
	183.0ci - 225 H.P.	98	United Tech System	UT	586289	2-2155	5723
		97-93	United Tech System	UT	584799	2-2155	5723
92-88	United Tech System	UT	396235	2-2155	5723		
225TZ	183.0ci - 225 H.P.	98	United Tech System	UT	586289	2-2155	5723
		97-93	United Tech System	UT	584799	2-2155	5723
225VCX	183.0ci - 225 H.P.	01-00	United Tech System	UT	586411	2-2155	5723
225VL	183.0ci - 225 H.P.	01	United Tech System	UT	586411	2-2155	5723
225VX	183.0ci - 225 H.P.	01-00	United Tech System	UT	586411	2-2155	5723
235STL	160.3ci - 235 H.P.	85-84	Prestolite System (8-Tooth)	UT	387094	2-2074-UT	5294
			United Tech System (8-Tooth)	UT	395207	2-2074-UT	5709
235TL	160.3ci - 235 H.P.	85-80	Prestolite System (8-Tooth)	UT	387094	2-2074-UT	5294
			United Tech System (8-Tooth)	UT	395207	2-2074-UT	5709
235TRL	160.3ci - 235 H.P.	83	Prestolite System (8-Tooth)	UT	387094	2-2074-UT	5294
			United Tech System (8-Tooth)	UT	395207	2-2074-UT	5709
235TRX	160.3ci - 235 H.P.	83	Prestolite System (8-Tooth)	UT	387094	2-2074-UT	5294
			United Tech System (8-Tooth)	UT	395207	2-2074-UT	5709
235TX	160.3ci - 235 H.P.	85-80	Prestolite System (8-Tooth)	UT	387094	2-2074-UT	5294
			United Tech System (8-Tooth)	UT	395207	2-2074-UT	5709
235TXL	160.3ci - 235 H.P.	82	Prestolite System (8-Tooth)	UT	387094	2-2074-UT	5294
			United Tech System (8-Tooth)	UT	395207	2-2074-UT	5709
250CX	244.0ci - 250 H.P.	00-99	United Tech System	UT	586411	2-2155	5723
		98	United Tech System	UT	586289	2-2155	5723
		97-93	United Tech System	UT	584799	2-2155	5723
		92-91	United Tech System	UT	396235	2-2155	5723
250CZ	244.0ci - 250 H.P.	00-99	United Tech System	UT	586411	2-2155	5723
		98	United Tech System	UT	586289	2-2155	5723
		95-93	United Tech System	UT	584799	2-2155	5723
		92	United Tech System	UT	396235	2-2155	5723
250PX	244.0ci - 250 H.P.	00-99	United Tech System	UT	391511	2-2155	5723
250PZ	244.0ci - 250 H.P.	00-99	United Tech System	UT	391511	2-2155	5723
250TX	244.0ci - 250 H.P.	97-93	United Tech System	UT	584799	2-2155	5723
		92-91	United Tech System	UT	396235	2-2155	5723
250TZ	244.0ci - 250 H.P.	95-93	United Tech System	UT	391511	2-2155	5723

◆ See Buyer's Guide for Optional Units

# STARTERS

Model	Engine	Year	Option	Mfg	KW	OEM #	PART NO.	REF.
-------	--------	------	--------	-----	----	-------	----------	------

## JOHNSON - continued

### Engines - Marine Outboard - continued

275CL	220.0ci - 275 H.P.	87	United Tech System	UT	391511	2-2155	5723
	244.0ci - 275 H.P.	88	United Tech System	UT	391511	2-2155	5723
275CX	220.0ci - 275 H.P.	87	United Tech System	UT	391511	2-2155	5723
	244.0ci - 275 H.P.	88	United Tech System	UT	391511	2-2155	5723
275PL	220.0ci - 275 H.P.	87	United Tech System	UT	391511	2-2155	5723
	244.0ci - 275 H.P.	88	United Tech System	UT	391511	2-2155	5723
275PTL	220.0ci - 275 H.P.	86	United Tech System	UT	391511	2-2155	5723
275PTX	220.0ci - 275 H.P.	86	United Tech System	UT	391511	2-2155	5723
275PX	220.0ci - 275 H.P.	87	United Tech System	UT	391511	2-2155	5723
	244.0ci - 275 H.P.	88	United Tech System	UT	391511	2-2155	5723
275TL	220.0ci - 275 H.P.	85	United Tech System	UT	391511	2-2155	5723
275TX	220.0ci - 275 H.P.	85	United Tech System	UT	391511	2-2155	5723
300CL	220.0ci - 300 H.P.	87	United Tech System	UT	391511	2-2155	5723
	244.0ci - 300 H.P.	90-88	United Tech System	UT	391511	2-2155	5723
300CX	220.0ci - 300 H.P.	87	United Tech System	UT	391511	2-2155	5723
		95-93	United Tech System	UT	584799	2-2155	5723
		92-88	United Tech System	UT	396235	2-2155	5723
300PL	220.0ci - 300 H.P.	87	United Tech System	UT	391511	2-2155	5723
		95-93	United Tech System	UT	584799	2-2155	5723
		92-88	United Tech System	UT	396235	2-2155	5723
300PTL	220.0ci - 300 H.P.	86	United Tech System	UT	391511	2-2155	5723
300PX	220.0ci - 300 H.P.	87	United Tech System	UT	391511	2-2155	5723
		95-93	United Tech System	UT	584799	2-2155	5723
		92-88	United Tech System	UT	396235	2-2155	5723
300TL	220.0ci - 300 H.P.	85	United Tech System	UT	391511	2-2155	5723

## KAWASAKI

### All-Terrain Vehicle (ATV)

KEF300 Lakota 300 A1-A6	290cc	00-95	Mitsuba System	MT	21163-1141	2-2425-MT-2	18701
KEF300 Lakota Sport B1-B3	290cc	03-01	Mitsuba System	MT	21163-1141	2-2425-MT-2	18701
KFX80 A1-A3; A6F	80cc	06-03	Mitsuba System	MT	21163-S003	2-2186-MT	18332
KLF220 Bayou 220 A9-A15	215cc	02-96	Mitsuba System	MT	21163-1266	2-2443-MT-2	18716
KLF220 Bayou 220 A5-A8	215cc	95-92	Mitsuba System	MT	21163-1253	2-2443-MT-2	18716
KLF220 Bayou 220 A1-A4	215cc	91-88	Mitsuba System	MT	21163-1130	2-2443-MT-2	18716
KLF250 Bayou 250 A1-A9	228cc	09-03	Mitsuba System	MT	21163-1266	2-2443-MT-2	18716
KLF300 Bayou 300 B2-B17	290cc	04-89	Mitsuba System	MT	21163-1141	2-2425-MT-2	18701
KLF300 Bayou 300 4x4 C1-C16	290cc	04-89	Mitsuba System	MT	21163-1141	2-2425-MT-2	18701
KLF300 Bayou 300 B1	290cc	88	Mitsuba System	MT	21163-1115	2-2425-MT-2	18701
KLF300 Bayou 300 A2	290cc	87	Mitsuba System	MT	21163-1115	2-2425-MT-2	18701
KLF300 Bayou 300 A1	290cc	86	Mitsuba System	MT	21163-1080	2-2425-MT-2	18701
			Mitsuba System	MT	21163-1115	2-2425-MT-2	18701
KSV700 A1-A8	697cc	08-04	Mitsuba System	MT	21163-1320	2-2417-MT-2	18719
KSV700 B1-B8	697cc	08-04	Mitsuba System	MT	21163-1320	2-2417-MT-2	18719
KSV700 C6F	697cc	06	Mitsuba System	MT	21163-1320	2-2417-MT-2	18719
KVF300 Prairie 300 4x4 A1-A4	290cc	02-99	Mitsuba System	MT	21163-1141	2-2425-MT-2	18701
KVF300 Prairie 300 B1-B4	290cc	02-99	Mitsuba System	MT	21163-1141	2-2425-MT-2	18701
KVF650 Brute Force 4x4 650 D1-D8	633cc	08-05	Mitsuba System	MT	21163-1320	2-2417-MT-2	18719
KVF650 Brute Force 4x4 Hardwoods 650 E1-E8	633cc	08-05	Mitsuba System	MT	21163-1320	2-2417-MT-2	18719
KVF650 Brute Force 4x4I 650 F6-F8	633cc	08-06	Mitsuba System	MT	21163-1320	2-2417-MT-2	18719
KVF650 Brute Force 4x4I 650 H7-H8	633cc	08-07	Mitsuba System	MT	21163-1320	2-2417-MT-2	18719
KVF650 Brute Force 4x4I G6-G8 Hardwoods 650	633cc	08-06	Mitsuba System	MT	21163-1320	2-2417-MT-2	18719
KVF650 Prarie 650 A1-A2	633cc	03-02	Mitsuba System	MT	21163-1320	2-2417-MT-2	18719
KVF650 Prarie 650 4x4 ADV. Classic B2	633cc	03	Mitsuba System	MT	21163-1320	2-2417-MT-2	18719
KVF700 Prarie 700 A6F	697cc	06-04	Mitsuba System	MT	21163-1320	2-2417-MT-2	18719
KVF750 Brute Force 750 4x4I A1-A7	749cc	07-05	Mitsuba System	MT	21163-1320	2-2417-MT-2	18719
KVF750 Brute Force 750 4x4I B1-B7	749cc	07-05	Mitsuba System	MT	21163-1320	2-2417-MT-2	18719
KVF750 Brute Force 750 4x4I C1-C7	749cc	07-05	Mitsuba System	MT	21163-1320	2-2417-MT-2	18719

♦ See Buyer's Guide for Optional Units

Model	Engine	Year	Option	Mfg KW	OEM #	PART NO.	REF.
<b>KAWASAKI - continued</b>							
<b>Personal Watercraft (PWC)</b>							
JF650 TS B3-B8	650cc	96-91	Mitsuba System	MT	21163-3709	2-2148	18330
JF650 TS B1-B2	650cc	90-89	Mitsuba System	MT	21163-3702	2-2148	18330
JF650 X2 A10	650cc	95	Mitsuba System	MT	21163-3714	2-2148	18330
JF650 X2 A6-A9	650cc	94-91	Mitsuba System	MT	21163-3712	2-2148	18330
JF650 X2 A3-A5	650cc	90-88	Mitsuba System	MT	21163-3702	2-2148	18330
JF650 X2 A1-A2	650cc	87-86	Mitsuba System	MT	21163-3712	2-2148	18330
JH750 750 ZXI C1-C3	743cc	97-95	Mitsuba System	MT	21163-3709	2-2148	18330
JH750 750SS E1-E2	743cc	97-96	Mitsuba System	MT	21163-3709	2-2148	18330
JH750 750SS A1-A4	743cc	95-92	Mitsuba System	MT	21163-3709	2-2148	18330
JH750 Super Sport XI B1-B3	743cc	95-93	Mitsuba System	MT	21163-3709	2-2148	18330
JH750 Super Sport XI F1-F2	743cc	97-96	Mitsuba System	MT	21163-3709	2-2148	18330
JH750 Xi Sport G1-G2	743cc	99-98	Mitsuba System	MT	21163-3709	2-2148	18330
JH750 XIR D1	743cc	94	Mitsuba System	MT	21163-3709	2-2148	18330
JH900 900 ZXI A1-A3	891cc	97-95	Mitsuba System	MT	21163-3709	2-2148	18330
JH1100 1100 Zxi A6-A8	1071cc	03-01	Mitsuba System	MT	21163-3714	2-2148	18330
JH1100 1100 Zxi A1-A5	1071cc	00-96	Mitsuba System	MT	21163-3709	2-2148	18330
JH1100 Ultra 130 D.I. B1-B4	1071cc	04-01	Mitsuba System	MT	21163-3714	2-2148	18330
JH1200 Ultra 150 B1-B3	1176cc	05-03	Mitsuba System	ND	21163-3719	2-2274	18445
JH1200 Ultra 150 A3-A4	1176cc	02-01	Mitsuba System	ND	21163-3719	2-2274	18445
JH1200 Ultra 150 A1-A2	1176cc	00-99	Mitsuba System	ND	21163-3715	2-2274	18445
JL650 SC A1-A5	650cc	95-91	Mitsuba System	MT	21163-3709	2-2148	18330
JS400 A3	400cc	76	Denso System	HI	21163-3710	2-2130-HI	18305
JS440 A1-A16	440cc	92-77	Denso System	HI	21163-3710	2-2130-HI	18305
JS550 550SX C1-C5	550cc	95-91	Denso System	HI	21163-3710	2-2130-HI	18305
JS550 A5-A7	550cc	88-86	Denso System	HI	21163-3003YR	2-2130-HI	18305
JS550 A1-A4	550cc	85-82	Denso System	HI	21163-3710	2-2130-HI	18305
JS550 550SX B1	550cc	90	Denso System	HI	21163-3003YR	2-2130-HI	18305
JS550 550SX A8	550cc	89	Denso System	HI	21163-3003YR	2-2130-HI	18305
JS650 650SX B1-B3	650cc	93-91	Mitsuba System	MT	21163-3709	2-2148	18330
JS650 650SX A2-A4	650cc	90-88	Mitsuba System	MT	21163-3702	2-2148	18330
JS650 650SX A1	650cc	87	Mitsuba System	MT	21163-3712	2-2148	18330
JS750 750 SXI Pro C1-C5	743cc	02-98	Mitsuba System	MT	21163-3709	2-2148	18330
JS750 750SXI B1-B2	743cc	96-95	Mitsuba System	MT	21163-3709	2-2148	18330
JS750 750SX A1-A4	743cc	95-92	Mitsuba System	MT	21163-3709	2-2148	18330
JS800 SX-R A1-A9	781cc	09-03	Mitsuba System	MT	21163-3714	2-2148	18330
JT750 750 STX C1	743cc	98	Mitsuba System	MT	21163-3709	2-2148	18330
JT750 ST A1-A2	743cc	95-94	Mitsuba System	MT	21163-3709	2-2148	18330
JT750 STS B1-B3	743cc	97-95	Mitsuba System	MT	21163-3709	2-2148	18330
JT900 900 STS B3-B4	891cc	02-01	Mitsuba System	MT	21163-3709	2-2148	18330
JT900 900 STX E1-E2; E6F	891cc	06-04	Mitsuba System	MT	21163-3714	2-2148	18330
JT900 900 STX D1	891cc	03	Mitsuba System	MT	21163-3714	2-2148	18330
JT900 900 STX C1-C2	891cc	02-01	Mitsuba System	MT	21163-3709	2-2148	18330
JT900 900 STX B1-B2	891cc	00-99	Mitsuba System	MT	21163-3709	2-2148	18330
JT900 900 STX A1-A2	891cc	98-97	Mitsuba System	MT	21163-3709	2-2148	18330
JT1100 1100 STX D.I. G1	1071cc	03	Mitsuba System	MT	21163-3714	2-2148	18330
JT1100 1100 STX D.I. F1-F2	1071cc	02-01	Mitsuba System	MT	21163-3709	2-2148	18330
JT1100 1100 STX D.I. C1	1071cc	00	Mitsuba System	MT	21163-3709	2-2148	18330
JT1100 1100 STX B1-B2	1071cc	99-98	Mitsuba System	MT	21163-3709	2-2148	18330
JT1100 1100 STX A1	1071cc	97	Mitsuba System	MT	21163-3709	2-2148	18330
JT1200 STX-R C1-C2	1176cc	05-04	Mitsuba System	ND	21163-3719	2-2274	18445
JT1200 STX-R A1-A2	1176cc	03-02	Mitsuba System	ND	21163-3719	2-2274	18445
<b>Small Engines</b>							
Various Models	FB460V Engine	All	Denso System	ND 0.7	128000-6550	2-2644-ND	18011
	FC290V Engine	All	Denso System	ND 0.6	128000-2760	2-2740-ND-2	18403
	FC400V Engine	All	Denso System	ND 0.6	128000-4020	2-2648-ND	18009
	FC401V Engine	All	Denso System	ND 0.6	128000-4020	2-2648-ND	18009
	FC420V Engine	All	Denso System	ND 0.6	128000-4020	2-2648-ND	18009
	FC540V Engine (Late)	All	Denso System	ND	128000-7940	2-2727-ND-2	18048
	FD440V Engine	All	Denso System	ND	128000-5500	2-2643-ND	18010

◆ See Buyer's Guide for Optional Units

# STARTERS

Model	Engine	Year	Option	Mfg KW	OEM #	PART NO.	REF.
-------	--------	------	--------	--------	-------	----------	------

## KAWASAKI - continued

### Small Engines - continued

Various Models	FD501D Engine	All	Denso System	ND 0.6	128000-9360	<b>2-2646-ND</b>	18012
	FD501V Engine	All	Denso System	ND	128000-5500	<b>2-2643-ND</b>	18010
	FD590V Engine	All	Denso System	ND	128000-5500	<b>2-2643-ND</b>	18010
	FD611V Engine	All	Denso System	ND	128000-5500	<b>2-2643-ND</b>	18010
	FD620D Engine	All	Denso System	ND 0.6	128000-9360	<b>2-2646-ND</b>	18012
	FD661D Engine	All	Denso System	ND 0.6	128000-9360	<b>2-2646-ND</b>	18012
	FE250D Engine	All	Denso System	ND 0.6	128000-7050	<b>2-1785-ND</b>	18404
	FE290D Engine	All	Denso System	ND 0.6	128000-7050	<b>2-1785-ND</b>	18404
	FE350D Engine	All	Denso System	ND 0.6	128000-7050	<b>2-1785-ND</b>	18404
	FE400D Engine	All	Denso System	ND 0.6	128000-7050	<b>2-1785-ND</b>	18404
	FH381V Engine	All	UT System	UT	21163-7007	<b>2-2963</b>	5922
	FH430V Engine	All	UT System	UT	21163-7007	<b>2-2963</b>	5922
	FH480V Engine	All	UT System	UT	21163-7007	<b>2-2963</b>	5922
	FH500V Engine	All	Denso System	ND 0.6	228000-7990	<b>2-2945-ND</b>	18266
			UT System	UT	21163-7010	<b>2-2432-UT</b>	5951
	FH531V Engine	All	UT System	UT	21163-7010	<b>2-2432-UT</b>	5951
	FH541V Engine	All	Denso System	ND 0.6	21163-7014	<b>2-2945-ND</b>	18266
			UT System	UT	21163-7010	<b>2-2432-UT</b>	5951
	FH580V Engine	All	UT System	UT	21163-7010	<b>2-2432-UT</b>	5951
	FH601D Engine	All	UT System	UT	21163-7010	<b>2-2432-UT</b>	5951
	FH601V Engine	All	Denso System	ND 0.6	228000-7990	<b>2-2945-ND</b>	18266
			UT System	UT	21163-7010	<b>2-2432-UT</b>	5951
	FH641D Engine	All	UT System	UT	21163-7010	<b>2-2432-UT</b>	5951
	FH641V Engine	All	Denso System	ND 0.6	228000-7990	<b>2-2945-ND</b>	18266
			UT System	UT	21163-7010	<b>2-2432-UT</b>	5951
	FH661V Engine	All	UT System	UT	21163-7010	<b>2-2432-UT</b>	5951
	FH680D Engine	All	UT System	UT	21163-7010	<b>2-2432-UT</b>	5951
	FH680V Engine	All	Denso System	ND 0.6	228000-7990	<b>2-2945-ND</b>	18266
			UT System	UT	21163-7010	<b>2-2432-UT</b>	5951
	FH721D Engine	All	Denso System	ND	21163-7015	<b>2-2744-ND-2</b>	18549
			UT System	UT	21163-7010	<b>2-2432-UT</b>	5951
	FH721V Engine	All	Denso System	ND 0.6	228000-7990	<b>2-2945-ND</b>	18266
			UT System	UT	21163-7010	<b>2-2432-UT</b>	5951
	FH770D Engine	All	UT System	UT	21163-7010	<b>2-2432-UT</b>	5951
	FZ340D Engine	All	Hitachi System	HI 0.4	21163-2106	<b>2-1775-HI</b>	18309
	GE4000A Engine	All	Denso System	ND 0.6	128000-7050	<b>2-1785-ND</b>	18404
	GE4500A Engine	All	Denso System	ND 0.6	128000-7050	<b>2-1785-ND</b>	18404
	GE5000AS Engine	All	Denso System	ND 0.6	128000-7050	<b>2-1785-ND</b>	18404

### Utility Vehicle (UTV)

KAF300 Mule 500 A1	286cc	All	Denso System	ND 0.6	21163-2109	<b>2-2667-ND</b>	18450
KAF300 Mule 500 B1-B2	286cc	All	Denso System	ND 0.6	21163-2109	<b>2-2667-ND</b>	18450
KAF300 Mule 520 D1-D2	286cc	All	Denso System	ND 0.6	21163-2109	<b>2-2667-ND</b>	18450
KAF300 Mule 550 C1-C7	286cc	All	Denso System	ND 0.6	21163-2109	<b>2-2667-ND</b>	18450
KAF400 Mule 600 B1-B9	401cc	All	Denso System	ND	21163-7020	<b>2-2743-ND-2</b>	18533
KAF400 Mule 610 4x4 A1-A9	401cc	All	Denso System	ND	21163-7020	<b>2-2743-ND-2</b>	18533
KAF400 Mule 610 4x4 Hardwoods C1-C9	401cc	All	Denso System	ND	21163-7020	<b>2-2743-ND-2</b>	18533
KAF540 Mule 2010 C1	540cc	All	Denso System	ND	21163-1147	<b>2-2741-ND-2</b>	18511
KAF540 Mule 2020 D1	540cc	All	Denso System	ND	21163-1147	<b>2-2741-ND-2</b>	18511
KAF540 Mule 2030 E1	540cc	All	Denso System	ND	21163-1147	<b>2-2741-ND-2</b>	18511
KAF620 Mule 2500 C1-C6	617cc	All	Denso System	ND 0.7	21163-2118	<b>2-2035-ND</b>	18512
KAF620 Mule 2510 4x4 A1-A6	617cc	All	Denso System	ND 0.7	21163-2118	<b>2-2035-ND</b>	18512
KAF620 Mule 2520 Turf B1-B6	617cc	All	Denso System	ND 0.7	21163-2118	<b>2-2035-ND</b>	18512
KAF620 Mule 3000 G1-G8	617cc	All	Denso System	ND	21163-2124	<b>2-2746-ND-2</b>	18629
KAF620 Mule 3010 4x4 E1-E8	617cc	All	Denso System	ND	21163-2124	<b>2-2746-ND-2</b>	18629
KAF620 Mule 3010 4x4 H1-H7	617cc	All	Denso System	ND	21163-2124	<b>2-2746-ND-2</b>	18629
KAF620 Mule 3010 Trans 4x4 J1-J7	617cc	All	Denso System	ND	21163-2124	<b>2-2746-ND-2</b>	18629
KAF620 Mule 3010 Trans 4x4 K1-K7	617cc	All	Denso System	ND	21163-2124	<b>2-2746-ND-2</b>	18629
KAF620 Mule 3020 F1-F3	617cc	All	Denso System	ND	21163-2124	<b>2-2746-ND-2</b>	18629
KAF620 Mule 4000 P9	617cc	All	Denso System	ND	21163-2124	<b>2-2746-ND-2</b>	18629

Model	Engine	Year	Option	Mfg KW	OEM #	PART NO.	REF.
<b>KAWASAKI - continued</b>							
<b>Utility Vehicle (UTV) - continued</b>							
KAF620 Mule 4010 4x4 Hardwoods GM S9	617cc	All	Denso System	ND	21163-2124	2-2746-ND-2	18629
KAF620 Mule 4010 4x4 Hardwoods N9	617cc	All	Denso System	ND	21163-2124	2-2746-ND-2	18629
KAF620 Mule 4010 4x4 M9	617cc	All	Denso System	ND	21163-2124	2-2746-ND-2	18629
KAF620 Mule 4010 Trans 4x4 R9	617cc	All	Denso System	ND	21163-2124	2-2746-ND-2	18629

## KOHLER

### Engines

Air Cooled	K-161	All	UT System	UT		2-2128-UT	5767	
	K-181	All	UT System	UT		2-2128-UT	5767	
	K-211	All	UT System	UT		2-2123-UT	5760	
	K-241	All		UT System	UT		2-2129-UT	5755
				UT System	UT		2-2129-UT	5761
	K-301	All		UT System	UT		2-2129-UT	5761
				UT System	UT		2-2123-UT	5760
				UT System	UT		2-2129-UT	5755
	K-321	All	UT System	UT		2-2123-UT	5760	
	K-341	All		UT System	UT		2-2129-UT	5755
				UT System	UT		2-2129-UT	5761
				UT System	UT		2-2123-UT	5760
	K-482	All	UT System	UT		2-2127-UT	5766	
	K-532	All	UT System	UT		2-2127-UT	5766	
	K-582	All	UT System	UT		2-2127-UT	5766	
	KT-17	All	UT System	UT		2-2083-UT	5757	
	KT-18	All	UT System	UT		2-2245	5915	
	KT-19	All	UT System	UT		2-2083-UT	5757	
	M-8 thru M-16	All	UT System	UT		2-2175-UT	5756	
	M-18	All	UT System	UT		2-2083-UT	5757	
	MV-16S	All	UT System	UT		2-2083-UT	5757	
	MV-17	All	UT System	UT		2-2083-UT	5757	
	MV-18	All	UT System	UT		2-2083-UT	5757	
	8.5HP				ND 0.6	63-098-01S	2-2196	18966
	10HP				ND 0.6	63-098-01S	2-2196	18966
	12HP				ND 0.6	63-098-01S	2-2196	18966

## KUBOTA

### Excavators

KH12FD	Kubota D1402 Dsl	82-On	Denso System	ND 1.4	028000-6260	2-2107-ND	16650
KH14	Kubota D1301 Dsl	80-77	Denso System	ND 1.4	028000-6260	2-2107-ND	16650
KH18	S2200 35HP Dsl	81-On	Denso System	ND 1.4	028000-4990	2-2107-ND	16650
KH20	Kubota V1902 Dsl	81-On	Denso System	ND 1.4	028000-6260	2-2107-ND	16650
KH21	Kubota Z430-K1 Dsl	93-88	Mitsubishi System	MI	M2T30481	2-1445-MI	16791
KH28	S2600 48HP Dsl	84-On	Denso System	ND 1.4	028000-4990	2-2107-ND	16650
KH60	Kubota D1302 27.1HP Dsl	86-On	Denso System	ND 1.4	028000-4990	2-2107-ND	16650
KH90	Kubota V1702 34.7HP Dsl	85-On	Denso System	ND 1.4	028000-4990	2-2107-ND	16650
KH91	Kubota D1402BH 30.1HP Dsl	88-On	Denso System	ND 1.4	028000-4990	2-2107-ND	16650
KH007	Kubota Z430-K1 8.5HP Dsl	93-89	Serial #112013-On	MI 0.7	M3T33481	2-2090-MI	18162
			To Serial #112012	MI	M2T30481	2-1445-MI	16791
KH151	Kubota V1902BH 43.3HP Dsl	88-On	Denso System	ND 1.4	028000-4990	2-2107-ND	16650
KH170L	S2600 48HP Dsl	85-On	Denso System	ND 1.4	028000-4990	2-2107-ND	16650
KH191	S2800D 59HP Dsl	88-On	Denso System	ND 1.4	028000-4990	2-2107-ND	16650
KX41-2	Kubota D1105BH 21.6HP Dsl	95-On	Denso System	ND 1.4	228000-6321	2-2656-ND	18419
KX41-2S	Kubota D1105BH 21.6HP Dsl	00-On	Denso System	ND 1.4	228000-6321	2-2656-ND	18419
KX41-2SV	Kubota D1105BH 21.6HP Dsl	00-On	Denso System	ND 1.4	228000-6321	2-2656-ND	18419
KX61-2	Kubota D1105BH 27HP Dsl	95-On	Denso System	ND 1.4	228000-6321	2-2656-ND	18419
KX61-2S	Kubota D1105BH 27HP Dsl	95-On	Denso System	ND 1.4	228000-6321	2-2656-ND	18419
KX91-2	Kubota V1505BH 27.5HP Dsl	95-On	Denso System	ND 1.4	228000-6321	2-2656-ND	18419
KX91-2S	Kubota V1505EBH 27.5HP Dsl	00-On	Denso System	ND 1.4	228000-6321	2-2656-ND	18419
KX101	Kubota V1902BH 36.6HP Dsl	92-On	Serial #15606-On	ND 1.4	228000-4920	2-2107-ND	18144
			To Serial #15605	ND 1.4	028000-4990	2-2107-ND	16650

◆ See Buyer's Guide for Optional Units

# STARTERS

Model	Engine	Year	Option	Mfg KW	OEM #	PART NO.	REF.
<b>KUBOTA - continued</b>							
<b>Excavators - continued</b>							
KX151	Kubota V1902BH 42.7HP Dsl	93-On	Denso System	ND 1.4	028000-4990	2-2107-ND	16650
<b>Generator Sets</b>							
GV1125-Q60	D1703-B Shiano-8 20HP Dsl	95-On	Denso System	ND 1.4	028000-4990	2-2107-ND	16650
GV3170-SW	Kubota V1902B 22HP Dsl	86-On	Denso System	ND 1.4	028000-4990	2-2107-ND	16650
GV3190QSW	Kubota V2203 24.7HP Dsl	92-On	Early Version	ND 1.4	028000-4990	2-2107-ND	16650
			Later Version	ND 1.4	228000-1020	2-2107-ND	18144
GV3240	S2800B 33HP Dsl	86-On	Denso System	ND 1.4	028000-4990	2-2107-ND	16650
GV3240-SW	S2800B 33HP Dsl	86-On	Denso System	ND 1.4	028000-4990	2-2107-ND	16650
GV3250QSW	F2803B 31.6HP Dsl	95-On	Early Version	ND 1.4	028000-4990	2-2107-ND	16650
			Later Version	ND 1.4	228000-1020	2-2107-ND	18144
KJS130D	Kubota D1703 Dsl	All	Denso System	ND 1.2	128000-8460	2-2734-ND-2	18145
KJS130DX	Kubota D1703E Dsl	All	Denso System	ND 1.2	128000-8460	2-2734-ND-2	18145
KJS150V	Kubota V2203 Dsl	All	Early Version	ND 1.4	028000-4990	2-2107-ND	16650
			Later Version	ND 1.4	228000-1020	2-2107-ND	18144
KJS150VX	Kubota V2203E Dsl	All	Denso System	ND 1.4	028000-4990	2-2107-ND	16650
KJT210V	Kubota V2203 Dsl	All	Early Version	ND 1.4	028000-4990	2-2107-ND	16650
			Later Version	ND 1.4	228000-1020	2-2107-ND	18144
KJT210VX	Kubota V2203E Dsl	All	Denso System	ND 1.4	028000-4990	2-2107-ND	16650
KJT270FSW	F2803 Diesel	All	Early Version	ND 1.4	028000-4990	2-2107-ND	16650
			Later Version	ND 1.4	228000-1020	2-2107-ND	18144
KJT270FX-SW	F2803E Diesel	All	Denso System	ND 1.4	028000-4990	2-2107-ND	16650
<b>Loaders</b>							
R410	Kubota V1902 39.5HP Dsl	89-On	Denso System	ND 1.4	028000-6260	2-2107-ND	16650
R420	Kubota D1503T 43HP Dsl	95-On	Serial #2965-On	ND 1.4	128000-6640	2-2107-ND	16650
			To Serial #2964	ND 1.4	228000-4920	2-2107-ND	18144
R420BU-1A	Kubota D1503T 43HP Dsl	95-On	Serial #2965-On	ND 1.4	128000-6640	2-2107-ND	16650
			To Serial #2964	ND 1.4	228000-4920	2-2107-ND	18144
R420S1	Kubota D1503T 43HP Dsl	95-On	Denso System	ND 1.4	128000-6640	2-2107-ND	16650
R420S2	Kubota D1503T 43HP Dsl	95-On	Denso System	ND 1.4	128000-6640	2-2107-ND	16650
R520S1	Kubota V2203 49HP Dsl	95-On	Denso System	ND 1.4	128000-6640	2-2107-ND	16650
R520S2	Kubota V2203 49HP Dsl	95-On	Denso System	ND 1.4	128000-6640	2-2107-ND	16650
<b>Misc. Equipment</b>							
D950 Engine		83-On	Denso System	ND 0.8	028000-9570	2-1421-ND	17354
D1402 Engine		87-On	Denso System	ND 1.4	028000-6260	2-2107-ND	16650
F2302 Engine		92-On	Denso System	ND 1.4	228000-1040	2-2733-ND-2	18141
NX3000	D1301 Engine	81-77	Denso System	ND 1.4	028000-6260	2-2107-ND	16650
RW25	V1500 Engine	80-On	Denso System	ND 1.4	028000-7830	2-1960-ND-2	17116
RW30	V1902 Engine	82-On	Denso System	ND 1.4	028000-7830	2-1960-ND-2	17116
RX3600	V1502C Engine	81-On	Denso System	ND 1.4	128000-0170	2-2107-ND	16650
S2200E Engine		92-On	Denso System	ND 1.4	228000-1000	2-2660-ND	18142
S2800 Engine		92-On	Denso System	ND 1.4	228000-1000	2-2660-ND	18142
V1502 Engine		91-86	Denso System	ND 1.4	128000-0170	2-2107-ND	16650
			Optional	ND 1.4	228000-1080	2-2107-ND	18144
			Standard	ND 1.4	228000-1020	2-2107-ND	18144
V1902 Engine		91-81	Denso System	ND 1.4	128000-0140	2-1960-ND-2	17367
V1903 Engine		96-On	Denso System	ND 1.4	228000-1040	2-2733-ND-2	18141
V2202		88-On	Denso System	ND 1.4	128000-6280	2-1960-ND-2	17619
Z600 Engine		92-On	Denso System	ND 1.4	228000-1060	2-2735-ND-2	18148
ZB500C-1K Engine		79-On	Denso System	ND 0.8	028000-7470	2-1421-ND	17354
<b>Mowers - Front</b>							
F2000	Kubota D950-FM 20HP Dsl	94-86	Denso System	ND 0.8	028000-7460	2-1421-ND	17354
F2100	Kubota D950-FM 21HP Dsl	95-89	Denso System	ND 0.8	028000-7460	2-1421-ND	17354
F2100E	Kubota D950-FM 21HP Dsl	95-89	Denso System	ND 0.8	028000-7460	2-1421-ND	17354
<b>Mowers - Turf</b>							
ZD25	Kubota D1105 25HP Dsl	05-Bk	Denso System	ND 1.1	428000-1160	2-2889-ND	18413
ZD28	Kubota D1105 28HP Dsl	05-Bk	Denso System	ND 1.1	428000-1160	2-2889-ND	18413
<b>Mowers - Zero Turn</b>							
ZG20F	GH630 20HP Gas	05-Bk	Delco System	DR	10455513	2-2022-DR	6744
ZG23F	GH680 23HP Gas	05-Bk	Delco System	DR	10455513	2-2022-DR	6744

♦ See Buyer's Guide for Optional Units

Model	Engine	Year	Option	Mfg KW	OEM #	PART NO.	REF.
<b>KUBOTA - continued</b>							
<b>Tractors - Compact</b>							
B20	Kubota D950AT 20HP Dsl	98-90	Denso System	ND 0.8	028000-7460	2-1421-ND	17354
B20TL	Kubota D950AT 20HP Dsl	98-90	Denso System	ND 0.8	028000-7460	2-1421-ND	17354
B1550D	Kubota D850-5B 17HP Dsl	96-88	Denso System	ND 0.8	028000-7460	2-1421-ND	17354
B1550DT	Kubota D850-5B 17HP Dsl	96-88	Denso System	ND 0.8	028000-7460	2-1421-ND	17354
B1550DTEX	Kubota D850-5B 17HP Dsl	96-88	Denso System	ND 0.8	028000-7460	2-1421-ND	17354
B1550E	Kubota D850-5B 17HP Dsl	96-88	Denso System	ND 0.8	028000-7460	2-1421-ND	17354
B1550HSD	Kubota D850-5B 17HP Dsl	97-88	Denso System	ND 0.8	028000-7460	2-1421-ND	17354
B1550HSDT	Kubota D850-5B 17HP Dsl	97-88	Denso System	ND 0.8	028000-7460	2-1421-ND	17354
B1550HSE	Kubota D850-5B 17HP Dsl	96-88	Denso System	ND 0.8	028000-7460	2-1421-ND	17354
B1750DT	Kubota D950-5B 20HP Dsl	96-88	Denso System	ND 0.8	028000-7460	2-1421-ND	17354
B1750E	Kubota D950-5B 20HP Dsl	96-88	Denso System	ND 0.8	028000-7460	2-1421-ND	17354
B1750HSD	Kubota D950-5B 20HP Dsl	96-88	Denso System	ND 0.8	028000-7460	2-1421-ND	17354
B1750HSDT	Kubota D950-5B 20HP Dsl	96-88	Denso System	ND 0.8	028000-7460	2-1421-ND	17354
B1750HSE	Kubota D950-5B 20HP Dsl	96-88	Denso System	ND 0.8	028000-7460	2-1421-ND	17354
B4200DT	Kubota Z600-A 12.5HP Dsl	96-87	Denso System	ND 0.8	028000-9570	2-1421-ND	17354
B5100DT	Kubota Z500-B 12HP Dsl	95-83	Denso System	ND 0.8	028000-7470	2-1421-ND	17354
B5100E	Kubota Z500-B 12HP Dsl	86-77	Denso System	ND 0.8	028000-7470	2-1421-ND	17354
B5200DT	Kubota D750 13HP Dsl	96-83	Denso System	ND 0.8	028000-7470	2-1421-ND	17354
B5200E	Kubota D750 13HP Dsl	95-83	Denso System	ND 0.8	028000-7470	2-1421-ND	17354
B6000DT	Kubota ZL600 14.5HP Dsl	77-73	Denso System	ND 0.8	028000-7460	2-1421-ND	17354
B6000DTC	Kubota ZL600 14.5HP Dsl	78-75	Denso System	ND 0.8	028000-7460	2-1421-ND	17354
B6000E	Kubota ZL600 14.5HP Dsl	84-78	Denso System	ND 0.8	028000-7460	2-1421-ND	17354
B6100D	Kubota D650-B 14HP Dsl	84-78	Denso System	ND 0.8	028000-7460	2-1421-ND	17354
B6100DT	Kubota D650-B 14HP Dsl	84-78	Denso System	ND 0.8	028000-7460	2-1421-ND	17354
B6100E	Kubota D650-B 14HP Dsl	84-78	Denso System	ND 0.8	028000-7460	2-1421-ND	17354
B6100HSD	Kubota D650-B 14HP Dsl	84-81	Denso System	ND 0.8	028000-7460	2-1421-ND	17354
B6100HSE	Kubota D650-B 14HP Dsl	84-81	Denso System	ND 0.8	028000-7460	2-1421-ND	17354
B6100HST	Kubota D650-B 14HP Dsl	84-81	Denso System	ND 0.8	028000-7460	2-1421-ND	17354
B6100HSTE	Kubota D650-B 14HP Dsl	84-81	Denso System	ND 0.8	028000-7460	2-1421-ND	17354
B6100T	Kubota D650-B 14HP Dsl	84-81	Denso System	ND 0.8	028000-7460	2-1421-ND	17354
B6200DT	Kubota D850-5B 15HP Dsl	94-83	Denso System	ND 0.8	028000-9570	2-1421-ND	17354
B6200E	Kubota D850-5B 15HP Dsl	94-83	Denso System	ND 0.8	028000-9570	2-1421-ND	17354
B6200HSD	Kubota D850-5B 15HP Dsl	94-83	Denso System	ND 0.8	028000-9570	2-1421-ND	17354
B6200HSDT	Kubota D850-5B 15HP Dsl	94-83	Denso System	ND 0.8	028000-9570	2-1421-ND	17354
B6200HSE	Kubota D850-5B 15HP Dsl	94-83	Denso System	ND 0.8	028000-9570	2-1421-ND	17354
B6200HST	Kubota D850-5B 15HP Dsl	94-83	Denso System	ND 0.8	028000-9570	2-1421-ND	17354
B6200T	Kubota D850-5B 15HP Dsl	94-83	Denso System	ND 0.8	028000-9570	2-1421-ND	17354
B7100DT	Kubota D750-B 16HP Dsl	84-77	Denso System	ND 0.8	028000-7470	2-1421-ND	17354
B7100E	Kubota D750-B 16HP Dsl	84-77	Denso System	ND 0.8	028000-7470	2-1421-ND	17354
B7100HSD	Kubota D750-B 16HP Dsl	84-80	Denso System	ND 0.8	028000-7470	2-1421-ND	17354
B7100HSE	Kubota D750-B 16HP Dsl	84-80	Denso System	ND 0.8	028000-7470	2-1421-ND	17354
B7100HST	Kubota D750-B 16HP Dsl	84-80	Denso System	ND 0.8	028000-7470	2-1421-ND	17354
B7100HSTE	Kubota D750-B 16HP Dsl	84-80	Denso System	ND 0.8	028000-7470	2-1421-ND	17354
B7200DT	Kubota D950 17HP Dsl	90-83	Denso System	ND 0.8	028000-9570	2-1421-ND	17354
B7200E	Kubota D950 17HP Dsl	90-83	Denso System	ND 0.8	028000-9570	2-1421-ND	17354
B7200EGP	Kubota D950 17HP Dsl	90-83	Denso System	ND 0.8	028000-9570	2-1421-ND	17354
B7200HSD	Kubota D950 17HP Dsl	90-83	Denso System	ND 0.8	028000-9570	2-1421-ND	17354
B7200HSDT	Kubota D950 17HP Dsl	90-83	Denso System	ND 0.8	028000-9570	2-1421-ND	17354
B7200HSE	Kubota D950 17HP Dsl	90-83	Denso System	ND 0.8	028000-9570	2-1421-ND	17354
B8200DT	Kubota D950 19HP Dsl	90-81	Denso System	ND 0.8	028000-9570	2-1421-ND	17354
B8200E	Kubota D950 19HP Dsl	90-81	Denso System	ND 0.8	028000-9570	2-1421-ND	17354
B8200HSD	Kubota D950 19HP Dsl	90-83	Denso System	ND 0.8	028000-9570	2-1421-ND	17354
B8200HSE	Kubota D950 19HP Dsl	90-83	Denso System	ND 0.8	028000-9570	2-1421-ND	17354
B8200HST	Kubota D950 19HP Dsl	90-83	Denso System	ND 0.8	028000-9570	2-1421-ND	17354
L35TL	Kubota D1703TLB 35HP Dsl	96-On	Denso System	ND 1.2	128000-8460	2-2734-ND-2	18145
L35TLB	Kubota D1703TLB 35HP Dsl	96-On	Denso System	ND 1.2	128000-8460	2-2734-ND-2	18145
L285DT	Kubota V1500A 30HP Dsl	81-75	Denso System	ND 1.4	028000-4990	2-2107-ND	16650
L285F	Kubota V1500A 30HP Dsl	81-75	Denso System	ND 1.4	028000-4990	2-2107-ND	16650
L285HF	Kubota V1500A 30HP Dsl	81-75	Denso System	ND 1.4	028000-4990	2-2107-ND	16650

♦ See Buyer's Guide for Optional Units



# STARTERS

Model	Engine	Year	Option	Mfg	KW	OEM #	PART NO.	REF.
<b>KUBOTA - continued</b>								
<b>Tractors - Compact - continued</b>								
L295DT	Kubota D1301A 30HP Dsl	82-78	Denso System	ND	1.4	028000-4990	<b>2-2107-ND</b>	16650
L295F	Kubota D1301A 30HP Dsl	82-79	Denso System	ND	1.4	028000-4990	<b>2-2107-ND</b>	16650
L2250DT	Kubota D1302DI 26.5HP Dsl	90-85	Serial #56309-On (Opt.)	ND	1.4	128000-6640	<b>2-2107-ND</b>	16650
			Serial #56309-On (Std.)	ND	1.2	128000-8460	<b>2-2734-ND-2</b>	18145
			To Serial #56308	ND	1.4	028000-4990	<b>2-2107-ND</b>	16650
L2250F	Kubota D1302DI 26.5HP Dsl	90-85	Serial #12401-On	ND	1.2	128000-8460	<b>2-2734-ND-2</b>	18145
			To Serial #12400	ND	1.4	028000-4990	<b>2-2107-ND</b>	16650
L2500DT	Kubota D1403AE 27HP Dsl	98-On	Denso System	ND	1.2	128000-8460	<b>2-2734-ND-2</b>	18145
L2500F	Kubota D1403AE 27HP Dsl	98-On	Denso System	ND	1.2	128000-8460	<b>2-2734-ND-2</b>	18145
L2550DT	Kubota D1402DIA 29.5HP Dsl	90-85	Serial #11936-On	ND	1.2	128000-8460	<b>2-2734-ND-2</b>	18145
			To Serial #11935	ND	1.4	028000-6260	<b>2-2107-ND</b>	16650
L2550DTGST	Kubota D1402DIA 29.5HP Dsl	87-85	Serial #11936-On	ND	1.2	128000-8460	<b>2-2734-ND-2</b>	18145
			To Serial #11935	ND	1.4	028000-6260	<b>2-2107-ND</b>	16650
L2550F	Kubota D1402DIA 29.5HP Dsl	90-85	Serial #11936-On	ND	1.2	128000-8460	<b>2-2734-ND-2</b>	18145
			To Serial #11935	ND	1.4	028000-6260	<b>2-2107-ND</b>	16650
L2550GST	Kubota D1402DIA 29.5HP Dsl	90-86	Serial #11936-On	ND	1.2	128000-8460	<b>2-2734-ND-2</b>	18145
			To Serial #11935	ND	1.4	028000-6260	<b>2-2107-ND</b>	16650
L2650DT	Kubota D1402DIAE 29HP Dsl	96-90	Denso System	ND	1.2	128000-8460	<b>2-2734-ND-2</b>	18145
L2650F	Kubota D1402DIAE 29HP Dsl	93-91	Denso System	ND	1.2	128000-8460	<b>2-2734-ND-2</b>	18145
L2650GST	Kubota D1402DIAE 29HP Dsl	93-91	Denso System	ND	1.2	128000-8460	<b>2-2734-ND-2</b>	18145
L2800DT-F	Kubota D1403ME2A 29HP Dsl	09-05	Denso System	ND	1.2	128000-8460	<b>2-2734-ND-2</b>	18145
L2800DT-R	Kubota D1403ME2A 29HP Dsl	09-05	Denso System	ND	1.2	128000-8460	<b>2-2734-ND-2</b>	18145
L2800F-F	Kubota D1403ME2A 29HP Dsl	09-05	Denso System	ND	1.2	128000-8460	<b>2-2734-ND-2</b>	18145
L2800F-R	Kubota D1403ME2A 29HP Dsl	09-05	Denso System	ND	1.2	128000-8460	<b>2-2734-ND-2</b>	18145
L2800HST	Kubota D1403ME2A 29HP Dsl	09-05	Denso System	ND	1.2	128000-8460	<b>2-2734-ND-2</b>	18145
L2850DT	Kubota V1702DIA 34HP Dsl	90-85	Denso System	ND	1.4	028000-4990	<b>2-2107-ND</b>	16650
L2850DTGST	Kubota V1702DIA 34HP Dsl	90-85	Denso System	ND	1.4	128000-6640	<b>2-2107-ND</b>	16650
L2850F	Kubota V1702DIA 34HP Dsl	90-85	Denso System	ND	1.4	028000-4990	<b>2-2107-ND</b>	16650
L2850GST	Kubota V1702DIA 34HP Dsl	90-85	Denso System	ND	1.4	028000-4990	<b>2-2107-ND</b>	16650
L2900DT	Kubota D1503LA 32HP Dsl	98-94	Denso System	ND	1.2	128000-8460	<b>2-2734-ND-2</b>	18145
L2900DTGST	Kubota D1503LA 32HP Dsl	98-94	Denso System	ND	1.2	128000-8460	<b>2-2734-ND-2</b>	18145
L2900F	Kubota D1503LA 32HP Dsl	98-94	Denso System	ND	1.2	128000-8460	<b>2-2734-ND-2</b>	18145
L2900GST	Kubota D1503LA 32HP Dsl	98-94	Denso System	ND	1.2	128000-8460	<b>2-2734-ND-2</b>	18145
L2950DT	Kubota D1462DIAE 30HP Dsl	93-91	Denso System	ND	1.2	128000-8460	<b>2-2734-ND-2</b>	18145
L2950DTGST	Kubota D1462DIAE 30HP Dsl	93-91	Denso System	ND	1.2	128000-8460	<b>2-2734-ND-2</b>	18145
L2950F	Kubota D1462DIAE 30HP Dsl	93-91	Denso System	ND	1.2	128000-8460	<b>2-2734-ND-2</b>	18145
L2950GST	Kubota D1462DIAE 30HP Dsl	93-91	Denso System	ND	1.2	128000-8460	<b>2-2734-ND-2</b>	18145
L3010DT	Kubota D1503LAN 32HP Dsl	02-98	Denso System	ND	1.2	128000-8460	<b>2-2734-ND-2</b>	18145
L3010F	Kubota D1503LAN 32HP Dsl	02-98	Denso System	ND	1.2	128000-8460	<b>2-2734-ND-2</b>	18145
L3010GST	Kubota D1503LAN 32HP Dsl	02-98	Denso System	ND	1.2	128000-8460	<b>2-2734-ND-2</b>	18145
L3010HST	Kubota D1503LAN 32HP Dsl	02-98	Denso System	ND	1.2	128000-8460	<b>2-2734-ND-2</b>	18145
L3130DT-F	Kubota D1503MAE-GST 32HP Dsl	03-On	Denso System	ND	1.2	128000-8460	<b>2-2734-ND-2</b>	18145
L3130DT-R	Kubota D1503MAE-GST 32HP Dsl	03-On	Denso System	ND	1.2	128000-8460	<b>2-2734-ND-2</b>	18145
L3130F-F	Kubota D1503MAE-GST 32HP Dsl	03-On	Denso System	ND	1.2	128000-8460	<b>2-2734-ND-2</b>	18145
L3130F-R	Kubota D1503MAE-GST 32HP Dsl	03-On	Denso System	ND	1.2	128000-8460	<b>2-2734-ND-2</b>	18145
L3130GST-F	Kubota D1503MAE-GST 32HP Dsl	03-On	Denso System	ND	1.2	128000-8460	<b>2-2734-ND-2</b>	18145
L3130GST-R	Kubota D1503MAE-GST 32HP Dsl	03-On	Denso System	ND	1.2	128000-8460	<b>2-2734-ND-2</b>	18145
L3130HST-C	Kubota D1503MAE-GST 32HP Dsl	03-On	Denso System	ND	1.2	128000-8460	<b>2-2734-ND-2</b>	18145
L3130HST-F	Kubota D1503MAE-GST 32HP Dsl	03-On	Denso System	ND	1.2	128000-8460	<b>2-2734-ND-2</b>	18145
L3130HST-R	Kubota D1503MAE-GST 32HP Dsl	03-On	Denso System	ND	1.2	128000-8460	<b>2-2734-ND-2</b>	18145
L3240F	Kubota D1703-M-E2 34HP Dsl	08-07	Denso System	ND	1.2	128000-8460	<b>2-2734-ND-2</b>	18145
L3240GST	Kubota D1703-M-E2 34HP Dsl	08-07	Denso System	ND	1.2	128000-8460	<b>2-2734-ND-2</b>	18145

◆ See Buyer's Guide for Optional Units

Model	Engine	Year	Option	Mfg KW	OEM #	PART NO.	REF.
<b>KUBOTA - continued</b>							
<b>Tractors - Compact - continued</b>							
L3240HST	Kubota D1703-M-E2 34HP Dsl	08-07	Denso System	ND 1.2	128000-8460	2-2734-ND-2	18145
L3240HSTC	Kubota D1703-M-E2 34HP Dsl	08-07	Denso System	ND 1.2	128000-8460	2-2734-ND-2	18145
L3250DT	Kubota V1902DIA 40HP Dsl	90-89	Denso System	ND 1.4	028000-4990	2-2107-ND	16650
L3250F	Kubota V1902DIA 40HP Dsl	90-89	Denso System	ND 1.4	028000-4990	2-2107-ND	16650
L3300DT	Kubota D1703-A 35HP Dsl	98-94	Denso System	ND 1.2	128000-8460	2-2734-ND-2	18145
L3300DTGST	Kubota D1703-A 35HP Dsl	98-94	Denso System	ND 1.2	128000-8460	2-2734-ND-2	18145
L3300F	Kubota D1703-A 35HP Dsl	98-94	Denso System	ND 1.2	128000-8460	2-2734-ND-2	18145
L3300GST	Kubota D1703-A 35HP Dsl	98-94	Denso System	ND 1.2	128000-8460	2-2734-ND-2	18145
L3400DT-F	Kubota D1703MAE2A 34.7HP Dsl	09-05	Denso System	ND 1.2	128000-8462	2-2734-ND-2	18145
L3400DT-R	Kubota D1703MAE2A 34.7HP Dsl	09-05	Denso System	ND 1.2	128000-8462	2-2734-ND-2	18145
L3400F-F	Kubota D1703MAE2A 34.7HP Dsl	09-05	Denso System	ND 1.2	128000-8462	2-2734-ND-2	18145
L3400F-R	Kubota D1703MAE2A 34.7HP Dsl	09-05	Denso System	ND 1.2	128000-8462	2-2734-ND-2	18145
L3400HST	Kubota D1703MAE2A 34.7HP Dsl	09-05	Denso System	ND 1.2	128000-8462	2-2734-ND-2	18145
L3400DT-F	Kubota D1703MAE2A 34.7HP Dsl	09-05	Denso System	ND 1.2	128000-8462	2-2734-ND-2	18145
L3410DT	Kubota D1703A 35.1HP Dsl	02-98	Denso System	ND 1.2	128000-8462	2-2734-ND-2	18145
L3410GST	Kubota D1703A 35.1HP Dsl	02-98	Denso System	ND 1.2	128000-8462	2-2734-ND-2	18145
L3410HST	Kubota D1703A 35.1HP Dsl	02-98	Denso System	ND 1.2	128000-8462	2-2734-ND-2	18145
L3430DT-F	Kubota D1703MAE 35.1HP Dsl	03-On	Denso System	ND 1.2	128000-8462	2-2734-ND-2	18145
L3430DT-R	Kubota D1703MAE 35.1HP Dsl	03-On	Denso System	ND 1.2	128000-8462	2-2734-ND-2	18145
L3430GST-F	Kubota D1703MAE 35.1HP Dsl	03-On	Denso System	ND 1.2	128000-8462	2-2734-ND-2	18145
L3430GST-R	Kubota D1703MAE 35.1HP Dsl	03-On	Denso System	ND 1.2	128000-8462	2-2734-ND-2	18145
L3430HST-F	Kubota D1703MAE 35.1HP Dsl	03-On	Denso System	ND 1.2	128000-8462	2-2734-ND-2	18145
L3430HST-R	Kubota D1703MAE 35.1HP Dsl	03-On	Denso System	ND 1.2	128000-8462	2-2734-ND-2	18145
L3450DTGST	Kubota V1902DIAE 36.7HP Dsl	93-90	Denso System	ND 1.4	128000-6640	2-2107-ND	16650
L3450F	Kubota V1902DIAE 36.7HP Dsl	93-91	Denso System	ND 1.4	128000-6640	2-2107-ND	16650
L3450GST	Kubota V1902DIAE 36.7HP Dsl	93-90	Denso System	ND 1.4	128000-6640	2-2107-ND	16650
L3600DT	Kubota V1903A 39HP Dsl	98-94	Denso System	ND 1.4	128000-6640	2-2107-ND	16650
L3600DTC	Kubota V1903A 36HP Dsl	97-94	Denso System	ND 1.4	128000-6640	2-2107-ND	16650
L3600GST	Kubota V1903A 39HP Dsl	98-94	Denso System	ND 1.4	128000-6640	2-2107-ND	16650
L3600GSTC	Kubota V1903A 38.5HP Dsl	98-96	Denso System	ND 1.4	128000-6640	2-2107-ND	16650
L3600GSTCA	Kubota V1903A 38.5HP Dsl	98-96	Denso System	ND 1.4	128000-6640	2-2107-ND	16650
L3650DT	Kubota V1902DIXA 40.5HP Dsl	93-91	Denso System	ND 1.4	128000-6640	2-2107-ND	16650
L3650DTGST	Kubota V1902DIXA 40.5HP Dsl	93-91	Denso System	ND 1.4	128000-6640	2-2107-ND	16650
L3650DTW	Kubota V1902DIXA 40.5HP Dsl	93-90	Denso System	ND 1.4	128000-6640	2-2107-ND	16650
L3650F	Kubota V1902DIXA 40.5HP Dsl	93-91	Denso System	ND 1.4	128000-6640	2-2107-ND	16650
L3650GST	Kubota V1902DIXA 40.5HP Dsl	93-90	Denso System	ND 1.4	128000-6640	2-2107-ND	16650
L3650T	Kubota V1902DIXA 40.5HP Dsl	93-90	Denso System	ND 1.4	128000-6640	2-2107-ND	16650
L3710DT	Kubota V1903AN 38.5HP Dsl	02-98	Denso System	ND 1.4	128000-6640	2-2107-ND	16650
L3710GST	Kubota V1903AN 38.5HP Dsl	02-98	Denso System	ND 1.4	128000-6640	2-2107-ND	16650
L3710HST	Kubota V1903AN 38.5HP Dsl	02-98	Denso System	ND 1.4	128000-6640	2-2107-ND	16650
L3710HSTC	Kubota V1903AN 38.5HP Dsl	02-98	Denso System	ND 1.4	128000-6640	2-2107-ND	16650
L4200DT	Kubota V2203A 45HP Dsl	98-94	Denso System	ND 1.4	128000-6640	2-2107-ND	16650
L4200F	Kubota V2203A 45HP Dsl	98-94	Denso System	ND 1.4	128000-6640	2-2107-ND	16650
L4200FGST	Kubota V2203A 45HP Dsl	98-94	Denso System	ND 1.4	128000-6640	2-2107-ND	16650
L4200GST	Kubota V2203A 45HP Dsl	98-94	Denso System	ND 1.4	128000-6640	2-2107-ND	16650
L4200GSTC	Kubota V2203A 42HP Dsl	97-94	Denso System	ND 1.4	128000-6640	2-2107-ND	16650
L4200GSTCA	Kubota V2203A 45HP Dsl	98-94	Denso System	ND 1.4	128000-6640	2-2107-ND	16650
L4300DT	Kubota V2203A 45.3HP Dsl	04-01	Denso System	ND 1.4	128000-6640	2-2107-ND	16650
L4300F	Kubota V2203A 45.3HP Dsl	04-01	Denso System	ND 1.4	128000-6640	2-2107-ND	16650
L4310DT	Kubota V2203AN 45.3HP Dsl	02-98	Denso System	ND 1.4	228000-1082	2-2107-ND	18144
L4310F	Kubota V2203AN 45.3HP Dsl	02-98	Denso System	ND 1.4	228000-1082	2-2107-ND	18144
L4310GST	Kubota V2203AN 45.3HP Dsl	02-98	Denso System	ND 1.4	228000-1082	2-2107-ND	18144
L4310GSTC	Kubota V2203AN 45.3HP Dsl	02-98	Denso System	ND 1.4	228000-1082	2-2107-ND	18144
L4310HST	Kubota V2203AN 45.3HP Dsl	02-98	Denso System	ND 1.4	228000-1082	2-2107-ND	18144

◆ See Buyer's Guide for Optional Units

# STARTERS

Model	Engine	Year	Option	Mfg	KW	OEM #	PART NO.	REF.
<b>KUBOTA - continued</b>								
<b>Tractors - Compact - continued</b>								
L4310HSTC	Kubota V2203AN 45.3HP Dsl	02-98	Denso System	ND	1.4	228000-1082	2-2107-ND	18144
L4610GST	Kubota V2203EHA 48.3HP Dsl	02-01	Denso System	ND	1.4	128000-6640	2-2107-ND	16650
L4610HST	Kubota V2203EHA 48.3HP Dsl	02-01	Denso System	ND	1.4	128000-6640	2-2107-ND	16650
L4610HSTC	Kubota V2203EHA 48.3HP Dsl	02-01	Denso System	ND	1.4	128000-6640	2-2107-ND	16650
<b>Tractors - Garden</b>								
G1800	Kubota D662 16HP Dsl	95-89	To Serial #12699	ND	0.8	028000-9570	2-1421-ND	17354
G1800S	Kubota D662 16HP Dsl	95-89	To Serial #13011	ND	0.8	028000-9570	2-1421-ND	17354
G1900	Kubota D722 18HP Dsl	95-89	To Serial #11447	ND	0.8	028000-9570	2-1421-ND	17354
G2000	Kubota WG750-G 21HP Gas	95-89	Mitsubishi System	MI		M2T30481	2-1445-MI	16791
G2460G	Kubota WG752 24HP Gas	05-Bk	Mitsubishi System	MI		M2T42381	2-1445-MI	16791
G3200	Kubota Z400 10HP Dsl	90-83	Mitsubishi System	MI		M2T30481	2-1445-MI	16791
G4200H	Kubota Z430 12HP Dsl	90-84	Mitsubishi System	MI		M2T30481	2-1445-MI	16791
G5200H	Kubota D600 14HP Dsl	90-84	Mitsubishi System	MI		M2T30481	2-1445-MI	16791
G6200H	Kubota D640 16HP Dsl	90-86	Denso System	ND	0.8	028000-7460	2-1421-ND	17354
GR2000	Kawasaki GH630 20HP Gas	05-Bk	Delco System	DR		10455516	2-2022-DR	6744
<b>Tractors - Lawn</b>								
T1460-40	GH410V 12.5HP Gas	95-On	Denso System	ND	0.6	128000-4020	2-2648-ND	18009
T1460A-40	GH410V 12.5HP Gas	95-On	Denso System	ND	0.6	128000-4020	2-2648-ND	18009
T1460B-40	GH410V 12.5HP Gas	95-On	Denso System	ND	0.6	128000-4020	2-2648-ND	18009
T1560-40	GH420V 14HP Gas	95-On	Denso System	ND	0.6	128000-4020	2-2648-ND	18009
T1560-44	GH420V 14HP Gas	95-On	Denso System	ND	0.6	128000-4020	2-2648-ND	18009
T1560A-40	GH420V 14HP Gas	95-On	Denso System	ND	0.6	128000-4020	2-2648-ND	18009
T1560A-44	GH420V 14HP Gas	95-On	Denso System	ND	0.6	128000-4020	2-2648-ND	18009
T1560B-40	GH420V 14HP Gas	95-On	Denso System	ND	0.6	128000-4020	2-2648-ND	18009
T1560B-44	GH420V 14HP Gas	95-On	Denso System	ND	0.6	128000-4020	2-2648-ND	18009
T1570	Kohler CV15 15HP Gas	05-Bk	Delco System	DR		10455513	2-2022-DR	6744
T1600H	Z482 13.5HP Gas	95-90	Mitsubishi System	MI	0.7	M3T33481	2-2090-MI	18162
T1670	Kohler CV15 15HP Gas	05-Bk	Delco System	DR		10455513	2-2022-DR	6744
T1700H	GH540V 17HP Gas	95-92	Denso System	ND		128000-7940	2-2727-ND-2	18048
T1700HX	GH540V 17HP Gas	95-92	Denso System	ND		128000-7940	2-2727-ND-2	18048
T1760-48	WG510V 17HP Gas	97-On	Denso System	ND	0.8	028000-9570	2-1421-ND	17354
T1760A-48	WG510V 17HP Gas	97-On	Denso System	ND	0.8	028000-9570	2-1421-ND	17354
T1760B-48	WG510V 17HP Gas	97-On	Denso System	ND	0.8	028000-9570	2-1421-ND	17354
T1770	FH, GH500V 17HP Gas	05-Bk	Denso System	ND	0.6	228000-7990	2-2945-ND	18266
T1870	FH, GH531V 18HP Gas	05-Bk	Denso System	ND	0.6	228000-7990	2-2945-ND	18266
TG1860G	WG590V 18HP Gas	97-On	Denso System	ND	0.8	028000-9570	2-1421-ND	17354
<b>Tractors - Sub Compact</b>								
BX22	Kubota D905E-BX 22HP Dsl	03-02	Denso System	ND	1.4	228000-6321	2-2656-ND	18419
BX2200D	Kubota D905E-BX 22HP Dsl	03-01	Denso System	ND	1.4	228000-6321	2-2656-ND	18419
<b>Tractors - Utility</b>								
M4900	Kubota F2803 49.5HP Dsl	06-01	Denso System	ND	1.4	228000-1001	2-2660-ND	18142
M4900C	Kubota F2803 49.5HP Dsl	06-01	Denso System	ND	1.4	228000-1001	2-2660-ND	18142
M4900DT	Kubota F2803 49.5HP Dsl	06-01	Denso System	ND	1.4	228000-1001	2-2660-ND	18142
M4900DTC	Kubota F2803 49.5HP Dsl	06-01	Denso System	ND	1.4	228000-1001	2-2660-ND	18142
M4900F	Kubota F2803 49.5HP Dsl	06-01	Denso System	ND	1.4	228000-1001	2-2660-ND	18142
M4900SC	Kubota F2803 49.5HP Dsl	06-01	Denso System	ND	1.4	228000-1001	2-2660-ND	18142
M4900SCS-F	Kubota F2803 49.5HP Dsl	06-01	Denso System	ND	1.4	228000-1001	2-2660-ND	18142
M4900SDC	Kubota F2803 49.5HP Dsl	06-01	Denso System	ND	1.4	228000-1001	2-2660-ND	18142
M4900SD-F	Kubota F2803 49.5HP Dsl	06-01	Denso System	ND	1.4	228000-1001	2-2660-ND	18142
M4900SUD-F	Kubota F2803 49.5HP Dsl	06-01	Denso System	ND	1.4	228000-1001	2-2660-ND	18142
M4900SUD-R	Kubota F2803 49.5HP Dsl	06-01	Denso System	ND	1.4	228000-1001	2-2660-ND	18142
M4900SU-F	Kubota F2803 49.5HP Dsl	06-01	Denso System	ND	1.4	228000-1001	2-2660-ND	18142
M4900SU-R	Kubota F2803 49.5HP Dsl	06-01	Denso System	ND	1.4	228000-1001	2-2660-ND	18142
M5400DT	Kubota F2803A 58HP Dsl	97-95	Denso System	ND	1.4	228000-1000	2-2660-ND	18142
M5400DT-N	Kubota F2803A 58HP Dsl	97-95	Denso System	ND	1.4	228000-1000	2-2660-ND	18142
M5400F	Kubota F2803A 58HP Dsl	97-95	Denso System	ND	1.4	228000-1000	2-2660-ND	18142
M5400S	Kubota F2803A 58HP Dsl	97-95	Denso System	ND	1.4	228000-1000	2-2660-ND	18142
M5400SD	Kubota F2803A 58HP Dsl	97-95	Denso System	ND	1.4	228000-1000	2-2660-ND	18142
M5700	Kubota F2803-EA 57HP Dsl	06-01	Denso System	ND	1.4	228000-1001	2-2660-ND	18142

♦ See Buyer's Guide for Optional Units

Model	Engine	Year	Option	Mfg KW	OEM #	PART NO.	REF.
<b>KUBOTA - continued</b>							
<b>Tractors - Utility - continued</b>							
M5700C	Kubota F2803-EA 57HP Dsl	06-01	Denso System	ND 1.4	228000-1001	2-2660-ND	18142
M5700DT	Kubota F2803-EA 57HP Dsl	06-01	Denso System	ND 1.4	228000-1001	2-2660-ND	18142
M5700DTC	Kubota F2803-EA 57HP Dsl	06-01	Denso System	ND 1.4	228000-1001	2-2660-ND	18142
M5700DT-N	Kubota F2803-EA 57HP Dsl	06-01	Denso System	ND 1.4	228000-1001	2-2660-ND	18142
M5700HDC	Kubota F2803-EA 57HP Dsl	06-01	Denso System	ND 1.4	228000-1001	2-2660-ND	18142
M5700HD-F	Kubota F2803-EA 57HP Dsl	06-01	Denso System	ND 1.4	228000-1001	2-2660-ND	18142
M5700SC	Kubota F2803-EA 57HP Dsl	06-01	Denso System	ND 1.4	228000-1001	2-2660-ND	18142
M5700SDC	Kubota F2803-EA 57HP Dsl	06-01	Denso System	ND 1.4	228000-1001	2-2660-ND	18142
M5700SD-F	Kubota F2803-EA 57HP Dsl	06-01	Denso System	ND 1.4	228000-1001	2-2660-ND	18142
M5700SDN-F	Kubota F2803-EA 57HP Dsl	06-01	Denso System	ND 1.4	228000-1001	2-2660-ND	18142
M5700S-F	Kubota F2803-EA 57HP Dsl	06-01	Denso System	ND 1.4	228000-1001	2-2660-ND	18142
<b>Utility Vehicle (UTV)</b>							
RTV900G-H	Kubota D902E-UV 21.6HP Dsl	All	Denso System	ND 1.4	428000-2640	2-2656-ND	18419
RTV900G-K	Kubota D902E-UV 21.6HP Dsl	All	Denso System	ND 1.4	428000-2640	2-2656-ND	18419
RTV900G-T	Kubota D902E-UV 21.6HP Dsl	All	Denso System	ND 1.4	428000-2640	2-2656-ND	18419
RTV900R	Kubota D902E-UV 21.6HP Dsl	All	Denso System	ND 1.4	428000-2640	2-2656-ND	18419
RTV900R-ASD	Kubota D902E-UV 21.6HP Dsl	All	Denso System	ND 1.4	428000-2640	2-2656-ND	18419
RTV900S-ASD	Kubota D902E-UV 21.6HP Dsl	All	Denso System	ND 1.4	428000-2640	2-2656-ND	18419
RTV900T	Kubota D902E-UV 21.6HP Dsl	All	Denso System	ND 1.4	428000-2640	2-2656-ND	18419
RTV900T-TSD	Kubota D902E-UV 21.6HP Dsl	All	Denso System	ND 1.4	428000-2640	2-2656-ND	18419
RTV900W	Kubota D902E-UV 21.6HP Dsl	All	Denso System	ND 1.4	428000-2640	2-2656-ND	18419
RTV900W6-SE	Kubota D902E-UV 21.6HP Dsl	All	Denso System	ND 1.4	428000-2640	2-2656-ND	18419
RTV900W-HSD	Kubota D902E-UV 21.6HP Dsl	All	Denso System	ND 1.4	428000-2640	2-2656-ND	18419
RTV1100	Kubota D1105-E2-UV 24.8HP Dsl	All	Denso System	ND 1.4	428000-2640	2-2656-ND	18419
<b>LYNX</b>							
<b>Snowmobiles</b>							
Adventure GT 600	594cc	07-06	Denso System	ND	515-176-003	2-3082-ND	18875
Adventure LX 600	594cc	06	Denso System	ND	515-176-003	2-3082-ND	18875
Ranger 600	597cc	06-03	Denso System	ND	515-176-003	2-3082-ND	18875
Ranger LCE		03	Denso System	ND	515-176-003	2-3082-ND	18875
		02	Denso System	ND	515-175-562	2-3082-ND	18875
Rave XT N-Duro 550	553cc	06	Denso System	ND	515-176-003	2-3082-ND	18875
Rave XT N-Duro 600	597cc	07-06	Denso System	ND	515-176-003	2-3082-ND	18875
Rave XT N-Duro 800	799cc	07-06	Denso System	ND	515-176-003	2-3082-ND	18875
Sport Touring 600	597cc	05-04	Denso System	ND	515-176-003	2-3082-ND	18875
		03	Denso System	ND	515-175-843	2-3082-ND	18875
Sport Touring 800		04-03	Denso System	ND	515-176-003	2-3082-ND	18875
ST-600	597cc	06-04	Denso System	ND	515-176-003	2-3082-ND	18875
		03	Denso System	ND	515-175-843	2-3082-ND	18875
Super Touring 500		02	Denso System	ND	515-175-562	2-3082-ND	18875
Super Touring 600	597cc	03	Denso System	ND	515-176-003	2-3082-ND	18875
		02	Denso System	ND	515-175-562	2-3082-ND	18875
Super Touring 700		02	Denso System	ND	515-175-562	2-3082-ND	18875
Super Touring 800		02	Denso System	ND	515-175-562	2-3082-ND	18875
YETI 600HO TUV SDI	594cc	06	Denso System	ND	515-176-003	2-3082-ND	18875
<b>MARINER</b>							
<b>Engines - Marine Outboard</b>							
8HP	12.8ci - 8.0 H. P.	94-86	All	UT	50-90983A1	2-2163-2	5724
9.9E	12.8ci - 9.9 H. P.	87	All	UT	50-90983A1	2-2163-2	5724
9.9EH	12.8ci - 9.9 H. P.	88	All	UT	50-90983A1	2-2163-2	5724
9.9EL	12.8ci - 9.9 H. P.	89-87	All	UT	50-90983A1	2-2163-2	5724
9.9EL 4-Stroke	19.7ci - 9.9 H.P.	01-99	Retaining Ring Design	UT	50-852570T	2-2788-UT-2	5763
9.9EL B/F 4-Stroke	19.7ci - 9.9 H.P.	01-99	Retaining Ring Design	UT	50-852570T	2-2788-UT-2	5763
9.9ELH B/F 4-Stroke	19.7ci - 9.9 H.P.	01-99	Retaining Ring Design	UT	50-852570T	2-2788-UT-2	5763
9.9ELRC	12.8ci - 9.9 H. P.	94-90	All	UT	50-90983A1	2-2163-2	5724
		00-99	All	UT	50-90983T1	2-2163-2	5724
		98-95	All	UT	50-90983A1	2-2163-2	5724

♦ See Buyer's Guide for Optional Units

# STARTERS

Model	Engine	Year	Option	Mfg	KW	OEM #	PART NO.	REF.
<b>MARINER - continued</b>								
<b>Engines - Marine Outboard - continued</b>								
9.9EXLH Sail 4-Stroke	19.7ci - 9.9 H.P.	01-99	Retaining Ring Design	UT		50-852570T	<b>2-2788-UT-2</b>	5763
15E 4-Stroke	19.7ci - 15 H.P.	01-99	Retaining Ring Design	UT		50-852570T	<b>2-2788-UT-2</b>	5763
		98	All	UT		50-852570	<b>2-2788-UT-2</b>	5763
15EH	16.0ci - 15 H.P.	01-99	All	UT		50-90983T1	<b>2-2163-2</b>	5724
		98-92	All	UT		50-90983A1	<b>2-2163-2</b>	5724
15EH 4-Stroke	19.7ci - 15 H.P.	01-99	Retaining Ring Design	UT		50-852570T	<b>2-2788-UT-2</b>	5763
15EL	16.0ci - 15 H.P.	01-99	All	UT		50-90983T1	<b>2-2163-2</b>	5724
		98-92	All	UT		50-90983A1	<b>2-2163-2</b>	5724
15EL 4-Stroke	19.7ci - 15 H.P.	01-99	Retaining Ring Design	UT		50-852570T	<b>2-2788-UT-2</b>	5763
		98	All	UT		50-852570	<b>2-2788-UT-2</b>	5763
15EL B/F 4-Stroke	16.0ci - 15 H.P.	98	All	UT		50-852570	<b>2-2788-UT-2</b>	5763
	19.7ci - 15 H.P.	01-99	Retaining Ring Design	UT		50-852570T	<b>2-2788-UT-2</b>	5763
15ELH	16.0ci - 15 H.P.	01-99	All	UT		50-90983T1	<b>2-2163-2</b>	5724
		98-92	All	UT		50-90983A1	<b>2-2163-2</b>	5724
15ELH 4-Stroke	19.7ci - 15 H.P.	01-99	Retaining Ring Design	UT		50-852570T	<b>2-2788-UT-2</b>	5763
		98	All	UT		50-852570	<b>2-2788-UT-2</b>	5763
20E	24.4ci - 20 H.P.	87-84	All	UT		50-90983A1	<b>2-2163-2</b>	5724
20EH	24.4ci - 20 H.P.	98-97	All	UT		50-90983A1	<b>2-2163-2</b>	5724
		88	All	UT		50-90983A1	<b>2-2163-2</b>	5724
20EL	24.4ci - 20 H.P.	98-84	All	UT		50-90983A1	<b>2-2163-2</b>	5724
25E	24.4ci - 25 H.P.	01-99	All	UT		50-90983T1	<b>2-2163-2</b>	5724
		98-92	All	UT		50-90983A1	<b>2-2163-2</b>	5724
		89-85	All	UT		50-90983A1	<b>2-2163-2</b>	5724
	26.2ci - 25 H.P.	84-80	Serial #0000000-00009375	HI		50-96359M	<b>2-2309-HI</b>	18310
			Serial #00009376-On	HI		50-97693M	<b>2-2309-HI</b>	18310
25E B/F 4-Stroke	30.4ci - 25 H.P.	01-99	Nut Design	UT		50-859169T	<b>2-2253</b>	5769
			Retaining Ring Design	UT		50-830308T	<b>2-2253</b>	5769
		98	All	UT		50-830308-1	<b>2-2253</b>	5769
25EH	24.4ci - 25 H.P.	01-99	All	UT		50-90983T1	<b>2-2163-2</b>	5724
		98-92	All	UT		50-90983A1	<b>2-2163-2</b>	5724
25EH B/F 4-Stroke	30.4ci - 25 H.P.	01-99	Nut Design	UT		50-859169T	<b>2-2253</b>	5769
			Retaining Ring Design	UT		50-830308T	<b>2-2253</b>	5769
		98	All	UT		50-830308-1	<b>2-2253</b>	5769
25EL	24.4ci - 25 H.P.	01-99	All	UT		50-90983T1	<b>2-2163-2</b>	5724
		98-85	All	UT		50-90983A1	<b>2-2163-2</b>	5724
	26.2ci - 25 H.P.	84-80	Serial #0000000-00009375	HI		50-96359M	<b>2-2309-HI</b>	18310
			Serial #00009376-On	HI		50-97693M	<b>2-2309-HI</b>	18310
25EL B/F 4-Stroke	30.4ci - 25 H.P.	01-99	Nut Design	UT		50-859169T	<b>2-2253</b>	5769
			Retaining Ring Design	UT		50-830308T	<b>2-2253</b>	5769
		98	All	UT		50-830308-1	<b>2-2253</b>	5769
25ELH	24.4ci - 25 H.P.	01-99	All	UT		50-90983T1	<b>2-2163-2</b>	5724
		98-87	All	UT		50-90983A1	<b>2-2163-2</b>	5724
25ELH B/F 4-Stroke	30.4ci - 25 H.P.	01-99	Nut Design	UT		50-859169T	<b>2-2253</b>	5769
			Retaining Ring Design	UT		50-830308T	<b>2-2253</b>	5769
		98	All	UT		50-830308-1	<b>2-2253</b>	5769
25ELPT B/F 4-Stroke	30.4ci - 25 H.P.	01-99	Nut Design	UT		50-859169T	<b>2-2253</b>	5769
			Retaining Ring Design	UT		50-830308T	<b>2-2253</b>	5769
		98	All	UT		50-830308-1	<b>2-2253</b>	5769
30E	30.3ci - 30 H.P.	86-85	All	HI		50-97693M	<b>2-2309-HI</b>	18310
		84-80	Serial #00101516-00104275	HI		50-96359M	<b>2-2309-HI</b>	18310
			Serial #00104276-On	HI		50-97693M	<b>2-2309-HI</b>	18310
30E 4-Stroke	45.6ci - 30 H.P.	01-99	Nut Design	UT		50-859170T	<b>2-2252</b>	5764
			Retaining Ring Design	UT		50-854636T	<b>2-2252</b>	5764
30EHO	39.3ci - 30 H.P.	00	All	UT		50-822462-1	<b>2-2251</b>	5726
		99-98	Match OE #50-822462	UT		50-822462	<b>2-2251</b>	5726
			Match OE #50-822462-1	UT		50-822462-1	<b>2-2251</b>	5726
		97-95		UT		50-822462	<b>2-2251</b>	5726

Model	Engine	Year	Option	Mfg KW	OEM #	PART NO.	REF.	
<b>MARINER - continued</b>								
<b>Engines - Marine Outboard - continued</b>								
30EL	30.3ci - 30 H.P.	86-85	All	HI	50-97693M	<b>2-2309-HI</b>	18310	
		84-80	Serial #00101516-00104275	HI	50-96359M	<b>2-2309-HI</b>	18310	
			Serial #00104276-On	HI	50-97693M	<b>2-2309-HI</b>	18310	
30EL 4-Stroke	45.6ci - 30 H.P.	01-99	Nut Design	UT	50-859170T	<b>2-2252</b>	5764	
			Retaining Ring Design	UT	50-854636T	<b>2-2252</b>	5764	
30ELH 4-Stroke	45.6ci - 30 H.P.	01-99	Nut Design	UT	50-859170T	<b>2-2252</b>	5764	
			Retaining Ring Design	UT	50-854636T	<b>2-2252</b>	5764	
30ELHO	39.3ci - 30 H.P.	00	All	UT	50-822462-1	<b>2-2251</b>	5726	
		99-98	Match OE #50-822462	UT	50-822462	<b>2-2251</b>	5726	
			Match OE #50-822462-1	UT	50-822462-1	<b>2-2251</b>	5726	
		97-95		UT	50-822462	<b>2-2251</b>	5726	
30ELO	30.3ci - 30 H.P.	89-87	All	HI	50-97693M	<b>2-2309-HI</b>	18310	
	39.3ci - 30 H.P.	00	All	UT	50-822462-1	<b>2-2251</b>	5726	
		99-98	Match OE #50-822462	UT	50-822462	<b>2-2251</b>	5726	
			Match OE #50-822462-1	UT	50-822462-1	<b>2-2251</b>	5726	
97-94		UT	50-822462	<b>2-2251</b>	5726			
30ELPT 4-Stroke	45.6ci - 30 H.P.	01-99	Nut Design	UT	50-859170T	<b>2-2252</b>	5764	
			Retaining Ring Design	UT	50-854636T	<b>2-2252</b>	5764	
30ELPTO	39.3ci - 30 H.P.	01-00	All	UT	50-822462-1	<b>2-2251</b>	5726	
		99-98	Match OE #50-822462	UT	50-822462	<b>2-2251</b>	5726	
			Match OE #50-822462-1	UT	50-822462-1	<b>2-2251</b>	5726	
		97-95		UT	50-822462	<b>2-2251</b>	5726	
30EO	30.3ci - 30 H.P.	90-87	All	HI	50-97693M	<b>2-2309-HI</b>	18310	
	39.3ci - 30 H.P.	00	All	UT	50-822462-1	<b>2-2251</b>	5726	
		99-98	Match OE #50-822462	UT	50-822462	<b>2-2251</b>	5726	
			Match OE #50-822462-1	UT	50-822462-1	<b>2-2251</b>	5726	
		97-94		UT	50-822462	<b>2-2251</b>	5726	
40E	36.1ci - 40 H.P.	85-81	All	HI	50-97693M	<b>2-2309-HI</b>	18310	
		80-79	All	HI	50-92669M	<b>2-2272</b>	18313	
		78	Solenoid Varies	HI	50-81490M	<b>2-2272</b>	18313	
			Solenoid Varies	HI	50-92669M	<b>2-2272</b>	18313	
40E 4-Stroke	45.6ci - 40 H.P.	01-99	Nut Design	UT	50-859170T	<b>2-2252</b>	5764	
			Retaining Ring Design	UT	50-854636T	<b>2-2252</b>	5764	
40EL	36.1ci - 40 H.P.	85-81	All	HI	50-97693M	<b>2-2309-HI</b>	18310	
		80-79	All	HI	50-92669M	<b>2-2272</b>	18313	
		78	Solenoid Varies	HI	50-81490M	<b>2-2272</b>	18313	
			Solenoid Varies	HI	50-92669M	<b>2-2272</b>	18313	
40EL 4-Stroke	45.6ci - 40 H.P.	01-99	Nut Design	UT	50-859170T	<b>2-2252</b>	5764	
			Retaining Ring Design	UT	50-854636T	<b>2-2252</b>	5764	
40ELH 4-Stroke	45.6ci - 40 H.P.	01-00	Nut Design	UT	50-859170T	<b>2-2252</b>	5764	
			Retaining Ring Design	UT	50-854636T	<b>2-2252</b>	5764	
40ELHPT 4-Stroke	45.6ci - 40 H.P.	01-99	Nut Design	UT	50-859170T	<b>2-2252</b>	5764	
			Retaining Ring Design	UT	50-854636T	<b>2-2252</b>	5764	
40ELHPTO	36.1ci - 40 H.P.	89	All	UT	50-73521	<b>2-2158</b>	5399	
		88-86	All	HI	50-97693M	<b>2-2309-HI</b>	18310	
	43.9ci - 40 H.P.	97	Model 7040xxx	UT	50-73521	<b>2-2158</b>	5399	
			Model 7043xxx	UT	50-822462	<b>2-2251</b>	5726	
	59.0ci - 40 H.P.	01-00	All	UT	50-822462-1	<b>2-2251</b>	5726	
			99	Model 7043xxx	UT	50-822462-1	<b>2-2251</b>	5726
			98	Model 7043xxx	UT	50-822462	<b>2-2251</b>	5726
40ELHPTO Magnum	43.9ci - 40 H.P.	96-90	All	UT	50-73521	<b>2-2158</b>	5399	
40ELO	36.1ci - 40 H.P.	90	All	UT	50-73521	<b>2-2158</b>	5399	
		89-86	All	HI	50-97693M	<b>2-2309-HI</b>	18310	
			97	Model 7040xxx	UT	50-73521	<b>2-2158</b>	5399
	43.9ci - 40 H.P.		Model 7041xxx	UT	50-822462	<b>2-2251</b>	5726	
			Model 7043xxx	UT	50-822462	<b>2-2251</b>	5726	
59.0ci - 40 H.P.	01-00	All	UT	50-822462-1	<b>2-2251</b>	5726		

◆ See Buyer's Guide for Optional Units

# STARTERS

Model	Engine	Year	Option	Mfg	KW	OEM #	PART NO.	REF.	
<b>MARINER - continued</b>									
<b>Engines - Marine Outboard - continued</b>									
40ELO	59.0ci - 40 H.P.	99	Model 7041xxxx OE #50-822462	UT		50-822462	<b>2-2251</b>	5726	
			Model 7041xxxx OE #50-822462-1	UT		50-822462-1	<b>2-2251</b>	5726	
			Model 7043xxxx OE #50-822462-1	UT		50-822462-1	<b>2-2251</b>	5726	
		98	Model 7041xxx	UT		50-822462	<b>2-2251</b>	5726	
			Model 7043xxx	UT		50-822462	<b>2-2251</b>	5726	
40ELO Magnum	43.9ci - 40 H.P.	96-91	All	UT		50-73521	<b>2-2158</b>	5399	
40ELPT 4-Stroke	45.6ci - 40 H.P.	01-99	Nut Design	UT		50-859170T	<b>2-2252</b>	5764	
			Retaining Ring Design	UT		50-854636T	<b>2-2252</b>	5764	
40ELPT B/F 4-Stroke	45.6ci - 40 H.P.	01-99	Nut Design	UT		50-859170T	<b>2-2252</b>	5764	
			Retaining Ring Design	UT		50-854636T	<b>2-2252</b>	5764	
40ELPTO	36.1ci - 40 H.P.	89	All	UT		50-73521	<b>2-2158</b>	5399	
		88-86	All	HI		50-97693M	<b>2-2309-HI</b>	18310	
	43.9ci - 40 H.P.	97	Model 7040xxx	UT		50-73521	<b>2-2158</b>	5399	
			Model 7041xxx	UT		50-822462	<b>2-2251</b>	5726	
			Model 7043xxx	UT		50-822462	<b>2-2251</b>	5726	
	59.0ci - 40 H.P.	01-00	All	UT		50-822462-1	<b>2-2251</b>	5726	
			99	Model 7041xxxx OE #50-822462	UT		50-822462	<b>2-2251</b>	5726
			Model 7041xxxx OE #50-822462-1	UT		50-822462-1	<b>2-2251</b>	5726	
			Model 7043xxxx OE #50-822462-1	UT		50-822462-1	<b>2-2251</b>	5726	
			98	Model 7041xxx	UT		50-822462	<b>2-2251</b>	5726
Model 7043xxx			UT		50-822462	<b>2-2251</b>	5726		
40ELPTO Magnum	43.9ci - 40 H.P.	96-90	All	UT		50-73521	<b>2-2158</b>	5399	
40EO	36.1ci - 40 H.P.	90	All	UT		50-73521	<b>2-2158</b>	5399	
		89-86	All	HI		50-97693M	<b>2-2309-HI</b>	18310	
		97	Model 7040xxx	UT		50-73521	<b>2-2158</b>	5399	
	43.9ci - 40 H.P.	97	Model 7041xxx	UT		50-822462	<b>2-2251</b>	5726	
			Model 7043xxx	UT		50-822462	<b>2-2251</b>	5726	
			01-00	All	UT		50-822462-1	<b>2-2251</b>	5726
	59.0ci - 40 H.P.	99	Model 7041xxxx OE #50-822462	UT		50-822462	<b>2-2251</b>	5726	
			Model 7041xxxx OE #50-822462-1	UT		50-822462-1	<b>2-2251</b>	5726	
			Model 7043xxxx OE #50-822462-1	UT		50-822462-1	<b>2-2251</b>	5726	
			98	Model 7041xxx	UT		50-822462	<b>2-2251</b>	5726
Model 7043xxx			UT		50-822462	<b>2-2251</b>	5726		
97			Model 7040xxx	UT		50-73521	<b>2-2158</b>	5399	
40EO Jet 30	43.9ci - 40 H.P.	96-95	All	UT		50-73521	<b>2-2158</b>	5399	
			Model 7043xxx	UT		50-822462	<b>2-2251</b>	5726	
	59.0ci - 40 H.P.	01-00	All	UT		50-822462-1	<b>2-2251</b>	5726	
			99	Model 7043xxx	UT		50-822462-1	<b>2-2251</b>	5726
			98	Model 7043xxx	UT		50-822462	<b>2-2251</b>	5726
40EO Magnum	43.9ci - 40 H.P.	96-92	All	UT		50-73521	<b>2-2158</b>	5399	
45ELHO	43.9ci - 45 H.P.	88-86	All	UT		50-73521	<b>2-2158</b>	5399	
45ELHPTO	43.9ci - 45 H.P.	88	All	UT		50-73521	<b>2-2158</b>	5399	
45ELO	43.9ci - 45 H.P.	89-86	All	UT		50-73521	<b>2-2158</b>	5399	
45ELPTO	43.9ci - 45 H.P.	89-86	All	UT		50-73521	<b>2-2158</b>	5399	
50E	43.9ci - 50 H.P.	84-80	All	UT		50-73521	<b>2-2158</b>	5399	
50EL	43.9ci - 50 H.P.	85-80	All	UT		50-73521	<b>2-2158</b>	5399	
50EL B/F 4-Stroke	57.0ci - 50 H.P.	01	All	UT		50-884044T	<b>2-2797-2</b>	5901	
50ELH	43.9ci - 50 H.P.	85-80	All	UT		50-73521	<b>2-2158</b>	5399	
50ELHPT 4-Stroke	57.0ci - 50 H.P.	01	All	UT		50-884044T	<b>2-2797-2</b>	5901	
50ELHPTO	51.8ci - 50 H.P.	97-92	All	UT		50-44369A1	<b>2-2911-UT</b>	5401	
	59.0ci - 50 H.P.	01-99	All	UT		50-822462-1	<b>2-2251</b>	5726	
		98	All	UT		50-822462	<b>2-2251</b>	5726	
50ELO	49.8ci - 50 H.P.	90-87	All	UT		50-44369A1	<b>2-2911-UT</b>	5401	
			86	Match OE #4820140M030SM	UT		50-65436	<b>2-2076-UT</b>	5708
			Match OE #4820240M030SM	UT		50-73521	<b>2-2158</b>	5399	
			Match OE #4820340M030SM	UT		50-44369A1	<b>2-2911-UT</b>	5401	
	51.8ci - 50 H.P.	97-91	All	UT		50-44369A1	<b>2-2911-UT</b>	5401	
	59.0ci - 50 H.P.	01-99	All	UT		50-822462-1	<b>2-2251</b>	5726	
			98	All	UT		50-822462	<b>2-2251</b>	5726

Model	Engine	Year	Option	Mfg KW	OEM #	PART NO.	REF.		
<b>MARINER - continued</b>									
<b>Engines - Marine Outboard - continued</b>									
50ELPT	43.9ci - 50 H.P.	85-80	All	UT	50-73521	2-2158	5399		
50ELPT 4-Stroke	57.0ci - 50 H.P.	01	All	UT	50-884044T	2-2797-2	5901		
50ELPT B/F 4-Stroke	57.0ci - 50 H.P.	01	All	UT	50-884044T	2-2797-2	5901		
50ELPT EFI 4-Stroke	57.0ci - 50 H.P.	01	All	UT	50-884044T	2-2797-2	5901		
50ELPTO	49.8ci - 50 H.P.	90-87	All	UT	50-44369A1	2-2911-UT	5401		
			86	Match OE #4820140M030SM	UT	50-65436	2-2076-UT	5708	
				Match OE #4820240M030SM	UT	50-73521	2-2158	5399	
	51.8ci - 50 H.P.	97-91	All	UT	50-44369A1	2-2911-UT	5401		
	59.0ci - 50 H.P.	01-99	All	UT	50-822462-1	2-2251	5726		
			98	All	UT	50-822462	2-2251	5726	
50EO	51.8ci - 50 H.P.	94-92	All	UT	50-44369A1	2-2911-UT	5401		
	59.0ci - 50 H.P.	01-99	All	UT	50-822462-1	2-2251	5726		
55E	55 H.P.	85-84	All	HI	50-97072M	2-2272	18313		
60EL	49.8ci - 60 H.P.	85-84	Match OE #4820140M030SM	UT	50-65436	2-2076-UT	5708		
			Match OE #4820340M030SM	UT	50-44369A1	2-2911-UT	5401		
		83-80	All	HI	50-97072M	2-2272	18313		
		79-78	All	HI	50-81490M	2-2272	18313		
60ELHPT 4-Stroke	57.0ci - 60 H.P.	01	All	UT	50-884044T	2-2797-2	5901		
60ELHPTO	51.8ci - 60 H.P.	97-92	All	UT	50-44369A1	2-2911-UT	5401		
			59.0ci - 60 H.P.	00-99	All	UT	50-822462T1	2-2251	5726
				98	All	UT	50-822462	2-2251	5726
60ELO	49.8ci - 60 H.P.	90-87	All	UT	50-44369A1	2-2911-UT	5401		
			86	Match OE #4820140M030SM	UT	50-65436	2-2076-UT	5708	
				Match OE #4820340M030SM	UT	50-44369A1	2-2911-UT	5401	
	51.8ci - 60 H.P.	97-91	All	UT	50-44369A1	2-2911-UT	5401		
	59.0ci - 60 H.P.	00-99	All	UT	50-822462T1	2-2251	5726		
			98	All	UT	50-822462	2-2251	5726	
60ELPT	49.8ci - 60 H.P.	85-84	Match OE #4820140M030SM	UT	50-65436	2-2076-UT	5708		
			Match OE #4820340M030SM	UT	50-44369A1	2-2911-UT	5401		
60ELPT 4-Stroke	57.0ci - 60 H.P.	01	All	UT	50-884044T	2-2797-2	5901		
60ELPT B/F 4-Stroke	57.0ci - 60 H.P.	01	All	UT	50-884044T	2-2797-2	5901		
60ELPT EFI 4-Stroke	57.0ci - 60 H.P.	01	All	UT	50-884044T	2-2797-2	5901		
60ELPTO	49.8ci - 60 H.P.	90-87	All	UT	50-44369A1	2-2911-UT	5401		
			86	Match OE #4820140M030SM	UT	50-65436	2-2076-UT	5708	
				Match OE #4820340M030SM	UT	50-44369A1	2-2911-UT	5401	
	51.8ci - 60 H.P.	97-91	All	UT	50-44369A1	2-2911-UT	5401		
	59.0ci - 60 H.P.	01-99	All	UT	50-822462T1	2-2251	5726		
			98	All	UT	50-822462	2-2251	5726	
60ELPTO Big Foot	51.8ci - 60 H.P.	97-95	All	UT	50-44369A1	2-2911-UT	5401		
			59.0ci - 60 H.P.	00-99	All	UT	50-822462T1	2-2251	5726
				98	All	UT	50-822462	2-2251	5726
60EO	51.8ci - 60 H.P.	97-92	All	UT	50-44369A1	2-2911-UT	5401		
			59.0ci - 60 H.P.	01-99	All	UT	50-822462T1	2-2251	5726
				98	All	UT	50-822462	2-2251	5726
60EO Jet 45	51.8ci - 60 H.P.	97-95	All	UT	50-44369A1	2-2911-UT	5401		
			59.0ci - 60 H.P.	01-99	All	UT	50-822462T1	2-2251	5726
				98	All	UT	50-822462	2-2251	5726
70E	49.8ci - 70 H.P.	79		UT	50-65436	2-2076-UT	5708		
70EL	49.8ci - 70 H.P.	83-80	United Tech System	UT	50-65436	2-2076-UT	5708		
		79		UT	50-65436	2-2076-UT	5708		
70ELPT	49.8ci - 70 H.P.	83-80	United Tech System	UT	50-65436	2-2076-UT	5708		
75EL	66.6ci - 75 H.P.	85-84	United Tech System	UT	50-66015	2-2076-UT	5708		
75ELH	84.6ci - 75 H.P.	00	All	UT	50-66015T1	2-2413-UT-2	5736		
75ELHPT 4-Stroke	84.6ci - 75 H.P.	01-00	Hitachi System	HI	50-804312T1	2-2451-HI-2	18347		
75ELHPTO	71.1ci - 75 H.P.	93-89	United Tech System	UT	50-66015	2-2076-UT	5708		
	84.6ci - 75 H.P.	01-00	All	UT	50-66015T1	2-2413-UT-2	5736		

◆ See Buyer's Guide for Optional Units



# STARTERS

Model	Engine	Year	Option	Mfg	KW	OEM #	PART NO.	REF.	
<b>MARINER - continued</b>									
<b>Engines - Marine Outboard - continued</b>									
75ELHPTO	84.6ci - 75 H.P.	99	Match OE #50-66015	UT	50-66015		<b>2-2076-UT</b>	5708	
			Match OE #50-66015T-1	UT	50-66015T1		<b>2-2413-UT-2</b>	5736	
		98-94	United Tech System	UT	50-66015		<b>2-2076-UT</b>	5708	
75ELO	66.6ci - 75 H.P.	86	United Tech System	UT	50-66015		<b>2-2076-UT</b>	5708	
		91-87	United Tech System	UT	50-66015		<b>2-2076-UT</b>	5708	
75ELPT	66.6ci - 75 H.P.	85-84	United Tech System	UT	50-66015		<b>2-2076-UT</b>	5708	
	84.6ci - 75 H.P.	00	All	UT	50-66015T1		<b>2-2413-UT-2</b>	5736	
75ELPT 4-Stroke	84.6ci - 75 H.P.	01-00	Hitachi System	HI	50-804312T1		<b>2-2451-HI-2</b>	18347	
75ELPTO	66.6ci - 75 H.P.	86	United Tech System	UT	50-66015		<b>2-2076-UT</b>	5708	
		93-87	United Tech System	UT	50-66015		<b>2-2076-UT</b>	5708	
		01-00	All	UT	50-66015T1		<b>2-2413-UT-2</b>	5736	
		99	Match OE #50-66015	UT	50-66015		<b>2-2076-UT</b>	5708	
			Match OE #50-66015T-1	UT	50-66015T1		<b>2-2413-UT-2</b>	5736	
		98-94	United Tech System	UT	50-66015		<b>2-2076-UT</b>	5708	
80EL	66.6ci - 80 H.P.	83-78	United Tech System	UT	50-66015		<b>2-2076-UT</b>	5708	
80ELPT	66.6ci - 80 H.P.	83-79	United Tech System	UT	50-66015		<b>2-2076-UT</b>	5708	
90EL	1.6L - 99.8ci - 90 H.P.	85-79	United Tech System	UT	50-72467		<b>2-2077-UT</b>	5735	
90ELHPT 4-Stroke	1.6L - 97.4ci - 90 H.P.	01-00	Hitachi System	HI	50-804312T1		<b>2-2451-HI-2</b>	18347	
90ELHPTO	1.2L - 71.1ci - 90 H.P.	93-91	United Tech System	UT	50-66015		<b>2-2076-UT</b>	5708	
		01-00	All	UT	50-66015T1		<b>2-2413-UT-2</b>	5736	
			99	Match OE #50-66015	UT	50-66015		<b>2-2076-UT</b>	5708
				Match OE #50-66015T-1	UT	50-66015T1		<b>2-2413-UT-2</b>	5736
			98-94	United Tech System	UT	50-66015		<b>2-2076-UT</b>	5708
90ELO	1.2L - 71.1ci - 90 H.P.	88-87	United Tech System	UT	50-66015		<b>2-2076-UT</b>	5708	
		86	United Tech System	UT	50-72467		<b>2-2077-UT</b>	5735	
90ELPT	1.6L - 99.8ci - 90 H.P.	85-79	United Tech System	UT	50-72467		<b>2-2077-UT</b>	5735	
90ELPT 4-Stroke	1.6L - 97.4ci - 90 H.P.	01-00	Hitachi System	HI	50-804312T1		<b>2-2451-HI-2</b>	18347	
90ELPT Coastal 4-Stroke	1.6L - 97.4ci - 90 H.P.	00	Hitachi System	HI	50-804312T1		<b>2-2451-HI-2</b>	18347	
90ELPTO	1.2L - 71.1ci - 90 H.P.	93-87	United Tech System	UT	50-66015		<b>2-2076-UT</b>	5708	
		01-00	All	UT	50-66015T1		<b>2-2413-UT-2</b>	5736	
			99	Match OE #50-66015	UT	50-66015		<b>2-2076-UT</b>	5708
				Match OE #50-66015T-1	UT	50-66015T1		<b>2-2413-UT-2</b>	5736
			98-94	United Tech System	UT	50-66015		<b>2-2076-UT</b>	5708
			86	United Tech System	UT	50-72467		<b>2-2077-UT</b>	5735
90ELPTO Coastal	1.4L - 84.6ci - 90 H.P.	01-00	All	UT	50-66015T1		<b>2-2413-UT-2</b>	5736	
		99	Match OE #50-66015	UT	50-66015		<b>2-2076-UT</b>	5708	
			Match OE #50-66015T-1	UT	50-66015T1		<b>2-2413-UT-2</b>	5736	
90ELPTO Jet 65	1.4L - 84.6ci - 90 H.P.	01-00	All	UT	50-66015T1		<b>2-2413-UT-2</b>	5736	
		99	Match OE #50-66015	UT	50-66015		<b>2-2076-UT</b>	5708	
			Match OE #50-66015T-1	UT	50-66015T1		<b>2-2413-UT-2</b>	5736	
		98-95	United Tech System	UT	50-66015		<b>2-2076-UT</b>	5708	
90EXLPT Saltwater 4-Stroke	1.6L - 97.4ci - 90 H.P.	01	Hitachi System	HI	50-804312T1		<b>2-2451-HI-2</b>	18347	
100ELPTO	1.7L - 105ci - 100 H.P.	93-88	United Tech System	UT	50-66015-1		<b>2-2413-UT-2</b>	5736	
	1.9L - 113ci - 100 H.P.	00-94	United Tech System	UT	50-66015-3		<b>2-2413-UT-2</b>	5736	
100ELXLPTO	1.7L - 105ci - 100 H.P.	89-88	United Tech System	UT	50-66015-1		<b>2-2413-UT-2</b>	5736	
100EXLHPTO	1.9L - 113ci - 100 H.P.	00-98	United Tech System	UT	50-66015-3		<b>2-2413-UT-2</b>	5736	
115EL	1.6L - 99.8ci - 115 H.P.	83-78	United Tech System	UT	50-72467		<b>2-2077-UT</b>	5735	
115ELPT	1.6L - 99.8ci - 115 H.P.	85-78	United Tech System	UT	50-72467		<b>2-2077-UT</b>	5735	
115ELPTO	1.6L - 99.8ci - 115 H.P.	88-86	United Tech System	UT	50-72467		<b>2-2077-UT</b>	5735	
		93-89	United Tech System	UT	50-66015-1		<b>2-2413-UT-2</b>	5736	
			United Tech System	UT	50-66015-3		<b>2-2413-UT-2</b>	5736	
		01-94	United Tech System	UT	50-66015-3		<b>2-2413-UT-2</b>	5736	
115ELPTO Coastal	1.9L - 113ci - 115 H.P.	01-00	All	UT	50-66015T1		<b>2-2413-UT-2</b>	5736	
		99	United Tech System	UT	50-66015-3		<b>2-2413-UT-2</b>	5736	
115ELPTO Jet 80	1.9L - 113ci - 80 H.P.	01-95	United Tech System	UT	50-66015-3		<b>2-2413-UT-2</b>	5736	
115ELPTO Saltwater	1.9L - 113ci - 115 H.P.	01-00	United Tech System	UT	50-66015-3		<b>2-2413-UT-2</b>	5736	
115EXLPT	1.6L - 99.8ci - 115 H.P.	85-80	United Tech System	UT	50-72467		<b>2-2077-UT</b>	5735	
115EXLPTO	1.6L - 99.8ci - 115 H.P.	88-86	United Tech System	UT	50-72467		<b>2-2077-UT</b>	5735	
		93-89	United Tech System	UT	50-66015-1		<b>2-2413-UT-2</b>	5736	
		01-94	United Tech System	UT	50-66015-3		<b>2-2413-UT-2</b>	5736	

♦ See Buyer's Guide for Optional Units

Model	Engine	Year	Option	Mfg KW	OEM #	PART NO.	REF.
<b>MARINER - continued</b>							
<b>Engines - Marine Outboard - continued</b>							
115L Optimax	1.9L - 113ci - 115 H.P.	01	Delco System	DR	50-853329T	2-2580-DR	6794
115L Optimax Saltwater	1.9L - 113ci - 115 H.P.	01	Delco System	DR	50-853329T	2-2580-DR	6794
115XL Optimax Saltwater	1.9L - 113ci - 115 H.P.	01	Delco System	DR	50-853329T	2-2580-DR	6794
125ELPTO	1.9L - 113ci - 125 H.P.	01-94	United Tech System	UT	50-66015-3	2-2413-UT-2	5736
125EXLPTO	1.9L - 113ci - 125 H.P.	01-94	United Tech System	UT	50-66015-3	2-2413-UT-2	5736
135CXL	2.0L - 121.9ci - 135 H.P.	00-99	United Tech System	UT	50-79472-1	2-2081-UT	5389
		98-93	United Tech System	UT	50-79472	2-2081-UT	5389
135CXL DFI / Optimax	2.5L - 153.0ci - 135 H.P.	01	Delco System	DR	50-853329T	2-2580-DR	6794
		99	Match OE #50-833153-2	UT	50-833153-2	2-2254	5772
			Match OE #50-833153-5	UT	50-833153-5	2-2254	5772
		98	United Tech System	UT	50-833153-2	2-2254	5772
135ELPTO	2.0L - 121.9ci - 135 H.P.	88-86	United Tech System	UT	50-79472	2-2081-UT	5389
135EXLPTO	2.0L - 121.9ci - 135 H.P.	88-86	United Tech System	UT	50-79472	2-2081-UT	5389
135L	2.0L - 121.9ci - 135 H.P.	00-99	United Tech System	UT	50-79472-1	2-2081-UT	5389
		98-89	United Tech System	UT	50-79472	2-2081-UT	5389
135L DFI / Optimax	2.5L - 153.0ci - 135 H.P.	01	Delco System	DR	50-853329T	2-2580-DR	6794
		99	Match OE #50-833153-2	UT	50-833153-2	2-2254	5772
			Match OE #50-833153-5	UT	50-833153-5	2-2254	5772
		98	United Tech System	UT	50-833153-2	2-2254	5772
135XL	2.0L - 121.9ci - 135 H.P.	00-99	United Tech System	UT	50-79472-1	2-2081-UT	5389
		98-93	United Tech System	UT	50-79472	2-2081-UT	5389
		89	United Tech System	UT	50-79472	2-2081-UT	5389
135XL DFI / Optimax	2.5L - 153.0ci - 135 H.P.	01	Delco System	DR	50-853329T	2-2580-DR	6794
		99	Match OE #50-833153-2	UT	50-833153-2	2-2254	5772
			Match OE #50-833153-5	UT	50-833153-5	2-2254	5772
		98	United Tech System	UT	50-833153-2	2-2254	5772
140ELPT	140 H.P.	79-78	United Tech System	UT	50-72467	2-2077-UT	5735
150 Magnum EFI	2.5L - 153.0ci - 150 H.P.	98-92	United Tech System	UT	50-79472	2-2081-UT	5389
150 Magnum II	2.5L - 153.0ci - 150 H.P.	91-89	United Tech System	UT	50-79472	2-2081-UT	5389
150 Magnum III	2.5L - 153.0ci - 150 H.P.	00-99	United Tech System	UT	50-79472-1	2-2081-UT	5389
		98-94	United Tech System	UT	50-79472	2-2081-UT	5389
150CXL	2.0L - 121.9ci - 150 H.P.	98-89	United Tech System	UT	50-79472	2-2081-UT	5389
150CXL DFI / Optimax	2.5L - 153.0ci - 150 H.P.	01	Delco System	DR	50-853329T	2-2580-DR	6794
		99	Match OE #50-833153-2	UT	50-833153-2	2-2254	5772
			Match OE #50-833153-5	UT	50-833153-5	2-2254	5772
		98	United Tech System	UT	50-833153-2	2-2254	5772
150CXL EFI	2.5L - 153.0ci - 150 H.P.	00-99	United Tech System	UT	50-79472-1	2-2081-UT	5389
150CXL Saltwater	2.5L - 153.0ci - 150 H.P.	98-94	United Tech System	UT	50-79472	2-2081-UT	5389
150CXL Saltwater	2.5L - 153.0ci - 150 H.P.	00-99	United Tech System	UT	50-79472-1	2-2081-UT	5389
150ELPT	2.0L - 121.9ci - 150 H.P.	85-79	Match OE #1065221M030SM	UT	50-72467	2-2077-UT	5735
			Match OE #1491624M030SM	UT	50-77141	2-2081-UT	5388
			Match OE #1718328M030SM	UT	50-79472	2-2081-UT	5389
150ELPTO	2.0L - 121.9ci - 150 H.P.	88-86	United Tech System	UT	50-79472	2-2081-UT	5389
150ELXPTO	2.0L - 121.9ci - 150 H.P.	88-86	United Tech System	UT	50-79472	2-2081-UT	5389
150EXLPT	2.0L - 121.9ci - 150 H.P.	85-79	Match OE #1065221M030SM	UT	50-72467	2-2077-UT	5735
			Match OE #1491624M030SM	UT	50-77141	2-2081-UT	5388
			Match OE #1718328M030SM	UT	50-79472	2-2081-UT	5389
150L	2.0L - 121.9ci - 150 H.P.	98-89	United Tech System	UT	50-79472	2-2081-UT	5389
150L DFI / Optimax	2.5L - 153.0ci - 150 H.P.	01	Delco System	DR	50-853329T	2-2580-DR	6794
		99	Match OE #50-833153-2	UT	50-833153-2	2-2254	5772
			Match OE #50-833153-5	UT	50-833153-5	2-2254	5772
		98	United Tech System	UT	50-833153-2	2-2254	5772
150L EFI	2.5L - 153.0ci - 150 H.P.	00-99	United Tech System	UT	50-79472-1	2-2081-UT	5389
150L Jet 105	2.0L - 121.9ci - 150 H.P.	98-95	United Tech System	UT	50-79472	2-2081-UT	5389
150L XR6	2.5L - 153.0ci - 150 H.P.	00-99	United Tech System	UT	50-79472-1	2-2081-UT	5389
150XL	2.0L - 121.9ci - 150 H.P.	98-89	United Tech System	UT	50-79472	2-2081-UT	5389
150XL DFI / Optimax	2.5L - 153.0ci - 150 H.P.	01	Delco System	DR	50-853329T	2-2580-DR	6794
		99	Match OE #50-833153-2	UT	50-833153-2	2-2254	5772
			Match OE #50-833153-5	UT	50-833153-5	2-2254	5772

♦ See Buyer's Guide for Optional Units

# STARTERS

Model	Engine	Year	Option	Mfg	KW	OEM #	PART NO.	REF.	
<b>MARINER - continued</b>									
<b>Engines - Marine Outboard - continued</b>									
150XL DFI / Optimax	2.5L - 153.0ci - 150 H.P.	98	United Tech System	UT		50-833153-2	2-2254	5772	
150XL EFI	2.5L - 153.0ci - 150 H.P.	00-99	United Tech System	UT		50-79472-1	2-2081-UT	5389	
		98-94	United Tech System	UT		50-79472	2-2081-UT	5389	
150XL Saltwater	2.5L - 153.0ci - 150 H.P.	00-99	United Tech System	UT		50-79472-1	2-2081-UT	5389	
175CXL	2.3L - 142.2ci - 175 H.P.	89	United Tech System	UT		50-79472	2-2081-UT	5389	
		00-99	United Tech System	UT		50-79472-1	2-2081-UT	5389	
		98-93	United Tech System	UT		50-79472	2-2081-UT	5389	
175CXL DFI	2.5L - 153.0ci - 175 H. P.	01	Delco System	DR		50-853329T	2-2580-DR	6794	
175ELPT	2.0L - 121.9ci - 175 H.P.	80-79	Match OE #1065221M030SM	UT		50-72467	2-2077-UT	5735	
			Match OE #1491624M030SM	UT		50-77141	2-2081-UT	5388	
			Match OE #1718328M030SM	UT		50-79472	2-2081-UT	5389	
175ELPTO	2.3L - 142.2ci - 175 H.P.	88-85	Match OE #1065221M030SM	UT		50-72467	2-2077-UT	5735	
			Match OE #1491624M030SM	UT		50-77141	2-2081-UT	5388	
			Match OE #1718328M030SM	UT		50-79472	2-2081-UT	5389	
175EXLPT	2.0L - 121.9ci - 175 H.P.	80-79	Match OE #1065221M030SM	UT		50-72467	2-2077-UT	5735	
			Match OE #1491624M030SM	UT		50-77141	2-2081-UT	5388	
			Match OE #1718328M030SM	UT		50-79472	2-2081-UT	5389	
175EXLPTO	2.3L - 142.2ci - 175 H.P.	88-85	Match OE #1065221M030SM	UT		50-72467	2-2077-UT	5735	
			Match OE #1491624M030SM	UT		50-77141	2-2081-UT	5388	
			Match OE #1718328M030SM	UT		50-79472	2-2081-UT	5389	
175L	2.3L - 142.2ci - 175 H.P.	91-89	United Tech System	UT		50-79472	2-2081-UT	5389	
		00-99	United Tech System	UT		50-79472-1	2-2081-UT	5389	
		98-92	United Tech System	UT		50-79472	2-2081-UT	5389	
175L DIG Saltwater DFI	2.5L - 153.0ci - 175 H. P.	01	Delco System	DR		50-853329T	2-2580-DR	6794	
175L Magnum EFI	2.3L - 142.2ci - 175 H.P.	91	United Tech System	UT		50-79472	2-2081-UT	5389	
		99	United Tech System	UT		50-79472-1	2-2081-UT	5389	
		98-92	United Tech System	UT		50-79472	2-2081-UT	5389	
175SKI	2.3L - 142.2ci - 175 H.P.	90	United Tech System	UT		50-79472	2-2081-UT	5389	
175XL	2.3L - 142.2ci - 175 H.P.	91-89	United Tech System	UT		50-79472	2-2081-UT	5389	
		00-99	United Tech System	UT		50-79472-1	2-2081-UT	5389	
		98-92	United Tech System	UT		50-79472	2-2081-UT	5389	
175XL DIG DFI	2.5L - 153.0ci - 175 H. P.	01	Delco System	DR		50-853329T	2-2580-DR	6794	
175XL EFI	2.5L - 153.0ci - 175 H. P.	00-99	United Tech System	UT		50-79472-1	2-2081-UT	5389	
		98-97	United Tech System	UT		50-79472	2-2081-UT	5389	
200CXL	2.3L - 142.2ci - 200 H.P.	90-89	United Tech System	UT		50-79472	2-2081-UT	5389	
		00-99	United Tech System	UT		50-79472-1	2-2081-UT	5389	
		98-91	United Tech System	UT		50-79472	2-2081-UT	5389	
200CXL DFI / Optimax	3.0L - 185.0ci - 200 H.P.	01	Delco System	DR		50-853329T	2-2580-DR	6794	
		99-98	United Tech System	UT		50-833153-5	2-2254	5772	
		97	United Tech System	UT		50-833153	2-2254	5772	
200CXL EFI	2.5L - 153.0ci - 200 H.P.	00	Match OE #50-79472-1	UT		50-79472-1	2-2081-UT	5389	
			Match OE #50-818445-5	UT		50-818445-5	2-2250	5740	
			99	United Tech System	UT		50-79472-1	2-2081-UT	5389
			98-94	United Tech System	UT		50-79472	2-2081-UT	5389
200CXL Saltwater DFI	3.0L - 185.0ci - 200 H.P.	01	Delco System	DR		50-853329T	2-2580-DR	6794	
200CXXL DFI / Optimax	3.0L - 185.0ci - 200 H.P.	01	Delco System	DR		50-853329T	2-2580-DR	6794	
		99-98	United Tech System	UT		50-833153-5	2-2254	5772	
200CXXL Saltwater DFI	3.0L - 185.0ci - 200 H.P.	01	Delco System	DR		50-853329T	2-2580-DR	6794	
200ELPT	2.3L - 142.2ci - 200 H.P.	84-80	8-Tooth Drive	UT		50-79472	2-2081-UT	5389	
			9-Tooth Drive	UT		50-86976	2-3146-UT	5398	
200ELPTO	2.3L - 142.2ci - 200 H.P.	88-85	8-Tooth Drive	UT		50-79472	2-2081-UT	5389	
			9-Tooth Drive	UT		50-86976	2-3146-UT	5398	
200EXLPT	2.3L - 142.2ci - 200 H.P.	84-80	8-Tooth Drive	UT		50-79472	2-2081-UT	5389	
			9-Tooth Drive	UT		50-86976	2-3146-UT	5398	
200EXLPTO	2.3L - 142.2ci - 200 H.P.	88-85	8-Tooth Drive	UT		50-79472	2-2081-UT	5389	
			9-Tooth Drive	UT		50-86976	2-3146-UT	5398	
200L	2.3L - 142.2ci - 200 H.P.	90-89	United Tech System	UT		50-79472	2-2081-UT	5389	
		00-99	United Tech System	UT		50-79472-1	2-2081-UT	5389	
		98-91	United Tech System	UT		50-79472	2-2081-UT	5389	

♦ See Buyer's Guide for Optional Units

Model	Engine	Year	Option	Mfg KW	OEM #	PART NO.	REF.
<b>MARINER - continued</b>							
<b>Engines - Marine Outboard - continued</b>							
200L DFI / Optimax	3.0L - 185.0ci - 200 H.P.	01	Delco System	DR	50-853329T	<b>2-2580-DR</b>	6794
		99-98	United Tech System	UT	50-833153-5	<b>2-2254</b>	5772
		97	United Tech System	UT	50-833153	<b>2-2254</b>	5772
200L Jet 140	2.5L - 153.0ci - 200 H.P.	00-99	United Tech System	UT	50-79472-1	<b>2-2081-UT</b>	5389
		98-95	United Tech System	UT	50-79472	<b>2-2081-UT</b>	5389
200L Magnum EFI	2.5L - 153.0ci - 200 H.P.	00	Match OE #50-79472-1	UT	50-79472-1	<b>2-2081-UT</b>	5389
			Match OE #50-818445-5	UT	50-818445-5	<b>2-2250</b>	5740
		99	United Tech System	UT	50-79472-1	<b>2-2081-UT</b>	5389
		98-92	United Tech System	UT	50-79472	<b>2-2081-UT</b>	5389
200XL	2.3L - 142.2ci - 200 H.P.	90-89	United Tech System	UT	50-79472	<b>2-2081-UT</b>	5389
	2.5L - 153.0ci - 200 H.P.	00-99	United Tech System	UT	50-79472-1	<b>2-2081-UT</b>	5389
		98-91	United Tech System	UT	50-79472	<b>2-2081-UT</b>	5389
200XL DFI / Optimax	3.0L - 185.0ci - 200 H.P.	01	Delco System	DR	50-853329T	<b>2-2580-DR</b>	6794
		99-98	United Tech System	UT	50-833153-5	<b>2-2254</b>	5772
		97	United Tech System	UT	50-833153	<b>2-2254</b>	5772
200XL EFI	2.5L - 153.0ci - 200 H.P.	00	Match OE #50-79472-1	UT	50-79472-1	<b>2-2081-UT</b>	5389
			Match OE #50-818445-5	UT	50-818445-5	<b>2-2250</b>	5740
		99	United Tech System	UT	50-79472-1	<b>2-2081-UT</b>	5389
		98-94	United Tech System	UT	50-79472	<b>2-2081-UT</b>	5389
200XL Saltwater DFI	2.5L - 153.0ci - 200 H.P.	01	Delco System	DR	50-853329T	<b>2-2580-DR</b>	6794
200XRI EFI	2.5L - 153.0ci - 200 H.P.	95-94	United Tech System	UT	50-79472	<b>2-2081-UT</b>	5389
200XXL DFI / Optimax	3.0L - 185.0ci - 200 H.P.	01	Delco System	DR	50-853329T	<b>2-2580-DR</b>	6794
		99-98	United Tech System	UT	50-833153-5	<b>2-2254</b>	5772
220EFIPLPTO Magnum	2.3L - 142.2ci - 220 H.P.	88-87	8-Tooth Drive	UT	50-79472	<b>2-2081-UT</b>	5389
220EFIEXLPTO Magnum	2.3L - 142.2ci - 220 H.P.	88-87	8-Tooth Drive	UT	50-79472	<b>2-2081-UT</b>	5389
225CXL	3.0L - 185.0ci - 225 H.P.	00-99	United Tech System	UT	50-818445-5	<b>2-2250</b>	5740
		98-93	United Tech System	UT	50-818445-3	<b>2-2250</b>	5740
225CXL DFI / Optimax	3.0L - 185.0ci - 225 H.P.	01	Delco System	DR	50-853329T	<b>2-2580-DR</b>	6794
		99-98	United Tech System	UT	50-833153-5	<b>2-2254</b>	5772
225CXL EFI	3.0L - 185.0ci - 225 H.P.	00-99	United Tech System	UT	50-818445-5	<b>2-2250</b>	5740
		98-95	United Tech System	UT	50-818445-3	<b>2-2250</b>	5740
225CXL Marathon	3.0L - 185.0ci - 225 H.P.	98-96	United Tech System	UT	50-818445-3	<b>2-2250</b>	5740
225CXXL	3.0L - 185.0ci - 225 H.P.	00-99	United Tech System	UT	50-818445-5	<b>2-2250</b>	5740
		98-93	United Tech System	UT	50-818445-3	<b>2-2250</b>	5740
225CXXL DFI / Optimax	3.0L - 185.0ci - 225 H.P.	01	Delco System	DR	50-853329T	<b>2-2580-DR</b>	6794
		99-98	United Tech System	UT	50-833153-5	<b>2-2254</b>	5772
225CXXL EFI	3.0L - 185.0ci - 225 H.P.	00-99	United Tech System	UT	50-818445-5	<b>2-2250</b>	5740
		98-95	United Tech System	UT	50-818445-3	<b>2-2250</b>	5740
		98-93	United Tech System	UT	50-818445-3	<b>2-2250</b>	5740
225L	3.0L - 185.0ci - 225 H.P.	00-99	United Tech System	UT	50-818445-5	<b>2-2250</b>	5740
		98-93	United Tech System	UT	50-818445-3	<b>2-2250</b>	5740
225L DFI / Optimax	3.0L - 185.0ci - 225 H.P.	01	Delco System	DR	50-853329T	<b>2-2580-DR</b>	6794
		99-98	United Tech System	UT	50-833153-5	<b>2-2254</b>	5772
225L EFI	3.0L - 185.0ci - 225 H.P.	00-99	United Tech System	UT	50-818445-5	<b>2-2250</b>	5740
		98	United Tech System	UT	50-818445-3	<b>2-2250</b>	5740
225L Magnum EFI	3.0L - 185.0ci - 225 H.P.	97-95	United Tech System	UT	50-818445-3	<b>2-2250</b>	5740
225XL	3.0L - 185.0ci - 225 H.P.	00-99	United Tech System	UT	50-818445-5	<b>2-2250</b>	5740
		98-93	United Tech System	UT	50-818445-3	<b>2-2250</b>	5740
225XL DFI / Optimax	3.0L - 185.0ci - 225 H.P.	01	Delco System	DR	50-853329T	<b>2-2580-DR</b>	6794
		99-98	United Tech System	UT	50-833153-5	<b>2-2254</b>	5772
225XL EFI	3.0L - 185.0ci - 225 H.P.	00-99	United Tech System	UT	50-818445-5	<b>2-2250</b>	5740
		98-95	United Tech System	UT	50-818445-3	<b>2-2250</b>	5740
225XL Marathon	3.0L - 185.0ci - 225 H.P.	98-96	United Tech System	UT	50-818445-3	<b>2-2250</b>	5740
225XXL	3.0L - 185.0ci - 225 H.P.	00-99	United Tech System	UT	50-818445-5	<b>2-2250</b>	5740
		98-93	United Tech System	UT	50-818445-3	<b>2-2250</b>	5740
225XXL DFI / Optimax	3.0L - 185.0ci - 225 H.P.	01	Delco System	DR	50-853329T	<b>2-2580-DR</b>	6794
		99-98	United Tech System	UT	50-833153-5	<b>2-2254</b>	5772
225XXL EFI	3.0L - 185.0ci - 225 H.P.	00-99	United Tech System	UT	50-818445-5	<b>2-2250</b>	5740
		98-95	United Tech System	UT	50-818445-3	<b>2-2250</b>	5740
250CXL EFI	3.0L - 185.0ci - 250 H.P.	99	United Tech System	UT	50-818445-5	<b>2-2250</b>	5740

♦ See Buyer's Guide for Optional Units

# STARTERS

Model	Engine	Year	Option	Mfg	KW	OEM #	PART NO.	REF.
-------	--------	------	--------	-----	----	-------	----------	------

## MARINER - continued

### Engines - Marine Outboard - continued

250CXL EFI	3.0L - 185.0ci - 250 H.P.	98-95	United Tech System	UT	50-818445-3	2-2250	5740
250CXL Saltwater EFI	3.0L - 185.0ci - 250 H.P.	00	United Tech System	UT	50-818445-5	2-2250	5740
250CXXL EFI	3.0L - 185.0ci - 250 H.P.	99	United Tech System	UT	50-818445-5	2-2250	5740
		98-95	United Tech System	UT	50-818445-3	2-2250	5740
250CXXL EFI Saltwater	3.0L - 185.0ci - 250 H.P.	00	United Tech System	UT	50-818445-5	2-2250	5740
250XL	3.4L - 207.0ci - 250 H.P.	90-89	United Tech System	UT	50-79472	2-2081-UT	5389
250XL EFI	3.0L - 185.0ci - 250 H.P.	99	United Tech System	UT	50-818445-5	2-2250	5740
		98-95	United Tech System	UT	50-818445-3	2-2250	5740
250XL EFI Saltwater	3.0L - 185.0ci - 250 H.P.	00	United Tech System	UT	50-818445-5	2-2250	5740
250XXL	3.4L - 207.0ci - 250 H.P.	90-89	United Tech System	UT	50-79472	2-2081-UT	5389
250XXL EFI	3.0L - 185.0ci - 250 H.P.	99	United Tech System	UT	50-818445-5	2-2250	5740
		98-95	United Tech System	UT	50-818445-3	2-2250	5740
250XXL EFI Saltwater	3.0L - 185.0ci - 250 H.P.	00	United Tech System	UT	50-818445-5	2-2250	5740
275CXL	3.4L - 207.0ci - 275 H.P.	94-91	United Tech System	UT	50-79472	2-2081-UT	5389
275CXXL	3.4L - 207.0ci - 275 H.P.	94-91	United Tech System	UT	50-79472	2-2081-UT	5389
275L	3.4L - 207.0ci - 275 H.P.	93-91	United Tech System	UT	50-79472	2-2081-UT	5389
275XL	3.4L - 207.0ci - 275 H.P.	94-91	United Tech System	UT	50-79472	2-2081-UT	5389
275XXL	3.4L - 207.0ci - 275 H.P.	94-91	United Tech System	UT	50-79472	2-2081-UT	5389

## MERCURISER

### Diesel Engines

Model 7.3L (Bravo & MIE)	IHC 7.3L - 444ci - 8cyl	98-94	Inboard	DR	1113276	50-8407	6573
Model EH700 MIE (175 / 220HP)	HINO 6.5L - 393ci - 6cyl	97-86	Denso Starter	ND 4.0	128000-0770	2-2276-ND	16635
Model W04CTA MIE (150HP)	HINO 3.9L - 234ci - 4cyl	97-90	Denso Starter	ND 2.5	128000-5300	2-2709-ND-2	17292
Model W04CTI MIE (210HP)	HINO 3.9L - 234ci - 4cyl	97-90	Denso Starter	ND 2.5	128000-5300	2-2709-ND-2	17292
Model W06DTA MIE (310HP)	HINO 5.8L - 351ci - 6cyl	97-93	Denso Starter	ND 2.5	128000-5301	2-2709-ND-2	17292
Model W06DTI MIE (250HP)	HINO 5.8L - 351ci - 6cyl	97-90	Denso Starter	ND 2.5	128000-5301	2-2709-ND-2	17292

### Hi-Performance Engines

Model 377 Scorpion (Gen+) (Ski)	GM 6.2L - 377ci - 8cyl	97-0n	Standard PG260M Starter	DR 1.7	9000821	2-1691-DR-2	6562
Model 377 Scorpion Sterndrive	GM 6.2L - 377ci - 8cyl	00-0n	Standard PG260M Starter	DR 1.7	9000821	2-1691-DR-2	6562
Model 420	GM 7.4L - 454ci - 8cyl	89-87	Delco System	DR	1998316	2-2752-DR-2	4304
Model 425	GM 7.4L - 454ci - 8cyl	92-90	Delco System	DR	1998316	2-2752-DR-2	4304
Model 425 (Gen V)	GM 7.4L - 454ci - 8cyl	93-92	Delco System	DR	1998316	2-2752-DR-2	4304
Model 450 (Gen V)	GM 7.4L - 454ci - 8cyl	96-95	Bravo Plug-In Models (Opt.)	DR 1.7	9000821	2-1691-DR-2	6562
			Bravo Plug-In Models (Std.)	DR	1998570	2-2909-DR ♦	6423
			Trans. & Driveline Models (Opt.)	DR	19010615	2-2752-DR-2	6616
			Trans. & Driveline Models (Std.)	DR	1998316	2-2752-DR-2	4304
Model 465	GM 8.2L - 502ci - 8cyl	92-90	Exc. Trans and Driveline Models	DR	1998570	2-2909-DR ♦	6423
			Trans. And Driveline Models	DR	1998316	2-2752-DR-2	4304
Model 465 (Gen V)	GM 8.2L - 502ci - 8cyl	94-92	Exc. Trans and Driveline Models	DR	1998570	2-2909-DR ♦	6423
			Trans. And Driveline Models	DR	1998316	2-2752-DR-2	4304
Model 500 (Gen +)	GM 8.2L - 502ci - 8cyl	00-99	Std. PG260 Starter (3-Terminal)	DR 1.7	9000819	2-1691-DR-2	6560
			Std. PG260 Starter (4-Terminal)	DR 1.7	9000821	2-1691-DR-2	6562
Model 500 (Gen V)	GM 8.2L - 502ci - 8cyl	96-94	Bravo Plug-In Models (Opt.)	DR 1.7	9000821	2-1691-DR-2	6562
			Bravo Plug-In Models (Std.)	DR	1998570	2-2909-DR ♦	6423
			Trans. & Driveline Models (Opt.)	DR	19010615	2-2752-DR-2	6616
			Trans. & Driveline Models (Std.)	DR	1998316	2-2752-DR-2	4304
Model 500 (Gen VI)	GM 8.2L - 502ci - 8cyl	98-97	Bravo Plug-In Models	DR 1.7	9000821	2-1691-DR-2	6562
			Trans. & Driveline Models	DR	19010615	2-2752-DR-2	6616
Model 500 Bulldog	GM 8.9L - 540ci - 8cyl	01-97	Bravo Plug-In Models	DR 1.7	9000821	2-1691-DR-2	6562
			Trans. & Driveline Models (Opt.)	DR 1.6	9000888	2-2361-DR-2 ♦	6793
			Trans. & Driveline Models (Std.)	DR	19010615	2-2752-DR-2	6616
		96-90	Bravo Plug-In Models (Opt.)	DR 1.7	9000821	2-1691-DR-2	6562
			Bravo Plug-In Models (Std.)	DR 1.7	9000762	2-1691-DR-2	6409
			Trans. & Driveline Models (Opt.)	DR	19010615	2-2752-DR-2	6616
Model 525SC	GM 7.4L - 454ci - 8cyl	92-91	Trans. & Driveline Models (Std.)	DR	1998316	2-2752-DR-2	4304
			Bravo Plug-In Models	DR	1998570	2-2909-DR ♦	6423
			Trans. And Driveline Models	DR	1998316	2-2752-DR-2	4304

Model	Engine	Year	Option	Mfg KW	OEM #	PART NO.	REF.
<b>MERCURISER - continued</b>							
<b>Hi-Performance Engines - continued</b>							
Model 525SC (Gen V)	GM 7.4L - 454ci - 8cyl	96	Bravo Plug-In Models (Opt.)	DR 1.7	9000821	<b>2-1691-DR-2</b>	6562
			Bravo Plug-In Models (Std.)	DR	1998570	<b>2-2909-DR ♦</b>	6423
			Trans. & Driveline Models (Opt.)	DR	19010615	<b>2-2752-DR-2</b>	6616
			Trans. & Driveline Models (Std.)	DR	1998316	<b>2-2752-DR-2</b>	4304
		95-92	Bravo Plug-In Models	DR	1998570	<b>2-2909-DR ♦</b>	6423
			Trans. And Driveline Models	DR	1998316	<b>2-2752-DR-2</b>	4304
Model 525SC (Gen VI)	GM 7.4L - 454ci - 8cyl	97-On	Bravo Plug-In Models	DR 1.7	9000821	<b>2-1691-DR-2</b>	6562
			Trans. & Driveline Models	DR	19010615	<b>2-2752-DR-2</b>	6616
Model 575	GM 8.9L - 540ci - 8cyl	92-85	Delco System	DR	1998316	<b>2-2752-DR-2</b>	4304
Model 600SC (Gen IV & V)	GM 8.2L - 502ci - 8cyl	96-91	Optional 14MT Starter	DR	19010615	<b>2-2752-DR-2</b>	6616
			Standard 10MT Starter	DR	1998316	<b>2-2752-DR-2</b>	4304
Model 600SC (Gen VI)	GM 8.2L - 502ci - 8cyl	98-97	Std. PG260 Starter (3-Terminal)	DR 1.7	9000819	<b>2-1691-DR-2</b>	6560
			Std. PG260 Starter (4-Terminal)	DR 1.7	9000821	<b>2-1691-DR-2</b>	6562
Model 800SC (Gen V)	GM 9.4L - 572ci - 8cyl	98-93	Trans. & Driveline Models (Opt.)	DR	19010615	<b>2-2752-DR-2</b>	6616
			Trans. & Driveline Models (Std.)	DR	1998316	<b>2-2752-DR-2</b>	4304
Model 800SCI		02-On	Delco PMGR Starter (CCW)	DR 1.6	9000888	<b>2-2361-DR-2 ♦</b>	6793
Model 900SC	GM 9.0L - 542ci - 8cyl	02-99	Delco 14MT Starter (CCW)	DR	19010615	<b>2-2752-DR-2</b>	6616
			Delco PMGR Starter (CCW)	DR 1.6	9000888	<b>2-2361-DR-2 ♦</b>	6793
<b>Inboard Engines</b>							
Model 5.0L (4-BBL)	GM 5.0L - 305ci - 8cyl	95-87	Clockwise	DR	1109484	<b>2-2591-DR-2</b>	6440
			Counter CW	DR	1109485	<b>2-2752-DR-2</b>	4304
Model 5.7L EFI (Gen +)	GM 5.7L - 350ci - 8cyl	98-On	Delco 14MT Starter	DR	19010615	<b>2-2752-DR-2</b>	6616
			Delco PMGR Starter	DR 1.6	9000888	<b>2-2361-DR-2 ♦</b>	6793
Model 5.7L EFI (Gen +) MIE	GM 5.7L - 350ci - 8cyl	97-On	Delco 14MT Starter (CCW)	DR	19010615	<b>2-2752-DR-2</b>	6616
			Delco PMGR Starter (CCW)	DR 1.6	9000888	<b>2-2361-DR-2 ♦</b>	6793
Model 5.7L MIE	GM 5.7L - 350ci - 8cyl	99-On	Delco PMGR Starter (CCW)	DR 1.6	9000888	<b>2-2361-DR-2 ♦</b>	6793
			Delco 14MT Starter (CCW)	DR	19010615	<b>2-2752-DR-2</b>	6616
		98-97	Delco PMGR Starter (CCW)	DR 1.6	9000888	<b>2-2361-DR-2 ♦</b>	6793
			Delco 14MT Starter (CCW)	DR	19010615	<b>2-2752-DR-2</b>	6616
			Delco 14MT Starter (CW)	DR	19010617	<b>2-2592-DR</b>	6615
		96-88	Clockwise	DR	1998315	<b>2-2591-DR-2</b>	6440
			Counter CW	DR	1998316	<b>2-2752-DR-2</b>	4304
Model 7.4L MIE (LH) (Gen V)	GM 7.4L - 454ci - 8cyl	96-92	Clockwise	DR	1998315	<b>2-2591-DR-2</b>	6440
			Counter CW	DR	1998316	<b>2-2752-DR-2</b>	4304
Model 7.4L MIE (LH) (Gen VI)	GM 7.4L - 454ci - 8cyl	97-96	Delco System	DR	19010615	<b>2-2752-DR-2</b>	6616
Model 7.4L MIE (LH) w/Hurth MK4	GM 7.4L - 454ci - 8cyl	92-89	Counter CW	DR	1998316	<b>2-2752-DR-2</b>	4304
Model 7.4L MIE MPI (L29) (Gen VI)	GM 7.4L - 454ci - 8cyl	00-98	Delco System	DR	19010615	<b>2-2752-DR-2</b>	6616
Model 7.4L MIE MPI (LH) (Gen V)	GM 7.4L - 454ci - 8cyl	96-95	Delco System	DR	1998316	<b>2-2752-DR-2</b>	4304
Model 7.4L MIE MPI (LH) (Gen VI)	GM 7.4L - 454ci - 8cyl	97-96	Delco System	DR	19010615	<b>2-2752-DR-2</b>	6616
Model 7.4L MIE TBI (LH) (Gen VI)	GM 7.4L - 454ci - 8cyl	97-96	Delco System	DR	19010615	<b>2-2752-DR-2</b>	6616
Model 7.4L MIE w/Borg Warner	GM 7.4L - 454ci - 8cyl	92-88	Clockwise	DR	1998315	<b>2-2591-DR-2</b>	6440
			Counter CW	DR	1998316	<b>2-2752-DR-2</b>	4304
Model 8.1S HO	GM 8.1L - 496ci - 8cyl	01-On	Delco 14MT Starter (CCW)	DR	19010615	<b>2-2752-DR-2</b>	6616
			Delco PMGR Starter (CCW)	DR 1.6	9000888	<b>2-2361-DR-2 ♦</b>	6793
Model 8.1S Horizon	GM 8.1L - 496ci - 8cyl	01-On	Delco 14MT Starter (CCW)	DR	19010615	<b>2-2752-DR-2</b>	6616
			Delco PMGR Starter (CCW)	DR 1.6	9000888	<b>2-2361-DR-2 ♦</b>	6793
Model 8.2L MIE MPI (LH) (Gen VI)	GM 8.2L - 502ci - 8cyl	00-On	Delco PG260L Replacement	DR 1.6	9000888	<b>2-2361-DR-2 ♦</b>	6793
			Delco 14MT Starter	DR	19010615	<b>2-2752-DR-2</b>	6616
		99-96	Delco System	DR	19010615	<b>2-2752-DR-2</b>	6616
Model 8.2L MIE (Gen V)	GM 8.2L - 502ci - 8cyl	96-93	Delco System	DR	1998316	<b>2-2752-DR-2</b>	4304
Model 8.2L MIE w/Hurth	GM 8.2L - 502ci - 8cyl	92-90	Delco System	DR	1998316	<b>2-2752-DR-2</b>	4304
Model 198 MIE	GM 5.0L - 305ci - 8cyl	77	Inboard - CCW Rotation	DR	1109485	<b>2-2752-DR-2</b>	4304
			Inboard - CW Rotation	DR	1109484	<b>2-2591-DR-2</b>	6440
Model 215 MIE	Ford 5.0L - 302ci - 8cyl	72-70	Clockwise	DR	1108373	<b>2-2592-DR ♦</b>	4297
			Counter CW	DR	1108374	<b>2-2752-DR-2</b>	4298
Model 225	Ford 5.0L - 302ci - 8cyl	74-73	Clockwise	DR	1109484	<b>2-2591-DR-2</b>	6440
			Counter CW	DR	1109485	<b>2-2752-DR-2</b>	4304
	GM 5.4L - 327ci - 8cyl	69-67	Inboard - CCW Rotation	DR	1108374	<b>2-2752-DR-2</b>	4298
			Inboard - CW Rotation	DR	1108373	<b>2-2592-DR ♦</b>	4297

♦ See Buyer's Guide for Optional Units

# STARTERS

Model	Engine	Year	Option	Mfg	KW	OEM #	PART NO.	REF.
-------	--------	------	--------	-----	----	-------	----------	------

## MERCUISER - continued

### Inboard Engines - continued

Model 225 MIE	Ford 5.0L - 302ci - 8cyl	74-73	Clockwise	DR	1109484		<b>2-2591-DR-2</b>	6440
			Counter CW	DR	1109485		<b>2-2752-DR-2</b>	4304
	GM 5.4L - 327ci - 8cyl	68	Inboard - CCW Rotation	DR	1108374		<b>2-2752-DR-2</b>	4298
			Inboard - CW Rotation	DR	1108373		<b>2-2592-DR ♦</b>	4297
Model 228	GM 5.0L - 305ci - 8cyl	81-77	Inboard - CCW Rotation	DR	1109485		<b>2-2752-DR-2</b>	4304
			Inboard - CW Rotation	DR	1109484		<b>2-2591-DR-2</b>	6440
Model 228 MIE	GM 5.0L - 305ci - 8cyl	81-77	Inboard - CCW Rotation	DR	1109485		<b>2-2752-DR-2</b>	4304
			Inboard - CW Rotation	DR	1109484		<b>2-2591-DR-2</b>	6440
Model 230 MIE	GM 5.0L - 305ci - 8cyl	95-81	Clockwise	DR	1109484		<b>2-2591-DR-2</b>	6440
Model 233	Ford 5.8L - 351ci - 8cyl	77-75	Counter CW	DR	1109485		<b>2-2752-DR-2</b>	4304
			Inboard - CCW Rotation	DR	1109485		<b>2-2752-DR-2</b>	4304
Model 233 MIE	Ford 5.8L - 351ci - 8cyl	77-75	Inboard - CCW Rotation	DR	1109485		<b>2-2752-DR-2</b>	4304
			Inboard - CW Rotation	DR	1109484		<b>2-2591-DR-2</b>	6440
Model 250 MIE	GM 5.4L - 327ci - 8cyl	69-68	Clockwise	DR	1108373		<b>2-2592-DR ♦</b>	4297
			Counter CW	DR	1108374		<b>2-2752-DR-2</b>	4298
Model 255	Ford 5.8L - 351ci - 8cyl	74-73	Inboard - CCW Rotation	DR	1109485		<b>2-2752-DR-2</b>	4304
			Inboard - CW Rotation	DR	1109484		<b>2-2591-DR-2</b>	6440
Model 255 MIE	Ford 5.8L - 351ci - 8cyl	74-73	Inboard - CCW Rotation	DR	1109485		<b>2-2752-DR-2</b>	4304
			Inboard - CW Rotation	DR	1109484		<b>2-2591-DR-2</b>	6440
	GM 5.7L - 350ci - 8cyl	80-75	Clockwise	DR	1109484		<b>2-2591-DR-2</b>	6440
			Counter CW	DR	1109485		<b>2-2752-DR-2</b>	4304
Model 260 MIE	GM 5.7L - 350ci - 8cyl	87-81	Clockwise	DR	1109484		<b>2-2591-DR-2</b>	6440
			Counter CW	DR	1109485		<b>2-2752-DR-2</b>	4304
Model 270 MIE	GM 5.7L - 350ci - 8cyl	72-69	Clockwise	DR	1108373		<b>2-2592-DR ♦</b>	4297
			Counter CW	DR	1108374		<b>2-2752-DR-2</b>	4298
Model 325 MIE	GM 7.0L - 427ci - 8cyl	74-68	Clockwise	DR	1108373		<b>2-2592-DR ♦</b>	4297
			Counter CW	DR	1108374		<b>2-2752-DR-2</b>	4298
Model 330	GM 7.4L - 454ci - 8cyl	81-77	Inboard - CCW Rotation	DR	1109485		<b>2-2752-DR-2</b>	4304
			Inboard - CW Rotation	DR	1109484		<b>2-2591-DR-2</b>	6440
Model 330 MIE	GM 7.4L - 454ci - 8cyl	80-77	Inboard - CCW Rotation	DR	1109485		<b>2-2752-DR-2</b>	4304
			Inboard - CW Rotation	DR	1109484		<b>2-2591-DR-2</b>	6440
Model 340 MIE w/Borg Warner MK4	GM 7.4L - 454ci - 8cyl	87-81	Clockwise	DR	1109484		<b>2-2591-DR-2</b>	6440
			Counter CW	DR	1109485		<b>2-2752-DR-2</b>	4304
Model 350 Mag MPI (Gen +)	GM 5.7L - 350ci - 8cyl	98-On	Delco PMGR Starter (CCW)	DR 1.6	9000888		<b>2-2361-DR-2 ♦</b>	6793
			Delco 14MT Starter (CCW)	DR	19010615		<b>2-2752-DR-2</b>	6616
Model 350 Mag MPI Horizon	GM 5.7L - 350ci - 8cyl	99-On	Delco PMGR Starter (CCW)	DR 1.6	9000888		<b>2-2361-DR-2 ♦</b>	6793
			Delco 14MT Starter (CCW)	DR	19010615		<b>2-2752-DR-2</b>	6616
Model 350 Mag MPI MIE (Gen +)	GM 5.7L - 350ci - 8cyl	99-98	Delco PMGR Starter (CCW)	DR 1.6	9000888		<b>2-2361-DR-2 ♦</b>	6793
			Delco 14MT Starter (CCW)	DR	19010615		<b>2-2752-DR-2</b>	6616
Model 350 MIE	GM 7.4L - 454ci - 8cyl	76-74	Clockwise	DR	1109484		<b>2-2591-DR-2</b>	6440
			Counter CW	DR	1109485		<b>2-2752-DR-2</b>	4304
Model 390 MIE	GM 7.5L - 482ci - 8cyl	70-69	Clockwise	DR	1108373		<b>2-2592-DR ♦</b>	4297
			Counter CW	DR	1108374		<b>2-2752-DR-2</b>	4298
Model 454 Mag MPI Horizon (Gen VI)	GM 7.4L - 454ci - 8cyl	98-On	Delco 14MT Starter (CCW)	DR	19010615		<b>2-2752-DR-2</b>	6616
			Delco PMGR Starter (CCW)	DR 1.6	9000888		<b>2-2361-DR-2 ♦</b>	6793
Model 898	GM 5.0L - 305ci - 8cyl	82-77	Inboard - CCW Rotation	DR	1109485		<b>2-2752-DR-2</b>	4304
			Inboard - CW Rotation	DR	1109484		<b>2-2591-DR-2</b>	6440
Model MX 6.2L MPI	GM 6.2L - 377ci - 8cyl	01-On	Delco PMGR Starter (CCW)	DR 1.6	9000888		<b>2-2361-DR-2 ♦</b>	6793
Model MX 6.2L MPI Horizon	GM 6.2L - 377ci - 8cyl	01-On	Delco PMGR Starter (CCW)	DR 1.6	9000888		<b>2-2361-DR-2 ♦</b>	6793

### Ski Engines

Black Scorpion Ski (Gen +)	GM 5.7L - 350ci - 8cyl	99-On	Delco PG260G Starter	DR 1.4	9000884		<b>2-1999-DR-2 ♦</b>	6792
			Std. PG260F1 Starter	DR 1.4	9000840		<b>2-1999-DR-2 ♦</b>	6791
		98-96	Std. PG260 Starter (3-Terminal)	DR 1.7	9000819		<b>2-1691-DR-2</b>	6560
			Std. PG260 Starter (4-Terminal)	DR 1.7	9000821		<b>2-1691-DR-2</b>	6562
Model 5.7L Competition Ski	GM 5.7L - 350ci - 8cyl	97-96	Std. PG260 Starter (3-Terminal)	DR 1.7	9000819		<b>2-1691-DR-2</b>	6560
			Std. PG260 Starter (4-Terminal)	DR 1.7	9000821		<b>2-1691-DR-2</b>	6562

Model	Engine	Year	Option	Mfg KW	OEM #	PART NO.	REF.
<b>MERCUISER - continued</b>							
<b>Ski Engines - continued</b>							
Model 5.7L Competition Ski	GM 5.7L - 350ci - 8cyl	95-87	Standard 10MT Starter	DR	1998570	<b>2-2909-DR ♦</b>	6423
			Standard PG200 Starter	DR 1.7	9000762	<b>2-1691-DR-2</b>	6409
			Standard PG260 Starter	DR 1.7	9000821	<b>2-1691-DR-2</b>	6562
Model 5.7L Ski	GM 5.7L - 350ci - 8cyl	87-85	Flange Mt. - CCW Rotation	DR	1109485	<b>2-2752-DR-2</b>	4304
			Flange Mt. - CW Rotation	DR	1109484	<b>2-2591-DR-2</b>	6440
			Pad Mount (CW)	DR	1109482	<b>2-2909-DR ♦</b>	6423
Model 5.7L Ski (CARB)	GM 5.7L - 350ci - 8cyl	98-On	Delco System	DR 1.4	9000884	<b>2-1999-DR-2 ♦</b>	6792
Model 5.7L Ski (Gen +)	GM 5.7L - 350ci - 8cyl	98-On	Delco System	DR 1.4	9000840	<b>2-1999-DR-2 ♦</b>	6791
Model 350 Mag EFI Ski (Gen +)	GM 5.7L - 350ci - 8cyl	97-96	Std. PG260 Starter (3-Terminal)	DR 1.7	9000819	<b>2-1691-DR-2</b>	6560
			Std. PG260 Starter (4-Terminal)	DR 1.7	9000821	<b>2-1691-DR-2</b>	6562
Model 350 Mag EFI Ski (TBI)	GM 5.7L - 350ci - 8cyl	96-94	Standard PG200 Starter	DR 1.7	9000762	<b>2-1691-DR-2</b>	6409
			Std. PG260 Starter (3-Terminal)	DR 1.7	9000819	<b>2-1691-DR-2</b>	6560
			Std. PG260 Starter (4-Terminal)	DR 1.7	9000821	<b>2-1691-DR-2</b>	6562
Model 350 Mag MPI Ski	GM 5.7L - 350ci - 8cyl	96-95	Std. PG260 Starter (3-Terminal)	DR 1.7	9000819	<b>2-1691-DR-2</b>	6560
			Std. PG260 Starter (4-Terminal)	DR 1.7	9000821	<b>2-1691-DR-2</b>	6562
Model 350 Mag MPI Ski (Gen +)	GM 5.7L - 350ci - 8cyl	98-On	Standard PG260G Starter	DR 1.4	9000884	<b>2-1999-DR-2 ♦</b>	6792
			Standard PG260F1 Starter	DR 1.4	9000840	<b>2-1999-DR-2 ♦</b>	6791
Model 350 Mag Ski	GM 5.7L - 350ci - 8cyl	97	Std. PG260 Starter (3-Terminal)	DR 1.7	9000819	<b>2-1691-DR-2</b>	6560
			Std. PG260 Starter (4-Terminal)	DR 1.7	9000821	<b>2-1691-DR-2</b>	6562
		96-91	Standard PG200 Starter	DR 1.7	9000762	<b>2-1691-DR-2</b>	6409
			Std. PG260 Starter (3-Terminal)	DR 1.7	9000819	<b>2-1691-DR-2</b>	6560
Model 454 EFI Ski (Gen V)	GM 7.4L - 454ci - 8cyl	95	Standard PG200 Starter	DR 1.7	9000762	<b>2-1691-DR-2</b>	6409
			Standard PG260 Starter	DR 1.7	9000821	<b>2-1691-DR-2</b>	6562
Model 454 Mag MPI Ski (Gen VI)	GM 7.4L - 454ci - 8cyl	97-96	Std. PG260 Starter (3-Terminal)	DR 1.7	9000819	<b>2-1691-DR-2</b>	6560
			Std. PG260 Starter (4-Terminal)	DR 1.7	9000821	<b>2-1691-DR-2</b>	6562
Model MX 6.2L BS MPI Ski	GM 6.2L - 377ci - 8cyl	01-On	Standard PG260G Starter	DR 1.4	9000884	<b>2-1999-DR-2 ♦</b>	6792
<b>Stern Drives</b>							
Model 2.5L	GM 2.5L - 153ci - 4cyl	89-87	Delco System	DR	1109488	<b>2-1591-DR ♦</b>	3550
Model 3.0 / 3.0LX	GM 3.0L - 181ci - 4cyl	99-On	Stagger Bolt Mtg. (14" Flywheel)	DR 1.4	9000884	<b>2-1999-DR-2 ♦</b>	6792
			Stagger Bolt Mtg. (Exc. 14")	DR 1.4	9000840	<b>2-1999-DR-2 ♦</b>	6791
		98-96	S/N: 0L097000-On (Stagger)	DR 1.4	9000840	<b>2-1999-DR-2 ♦</b>	6791
			S/N: To 0L096999 (Straight)	DR 1.7	9000822	<b>2-1760-DR-2</b>	6563
		95-90	Delco System	DR	1998317	<b>2-1591-DR ♦</b>	3550
Delco System	DR 1.7		9000822	<b>2-1760-DR-2</b>	6563		
Model 3.7L	Mercury 3.7L - 224ci - 4cyl	89-87	Delco System	DR	1998460	<b>2-2591-DR-2</b>	6420
Model 4.3L (2-BBL)	GM 4.3L - 262ci - 6cyl	92-88	Standard 10MT Starter	DR	1998570	<b>2-2909-DR ♦</b>	6423
Model 4.3L (Gen +)	GM 4.3L - 262ci - 6cyl	97-96	Opt. PG260 Starter (Smaller Case)	DR 1.4	9000840	<b>2-1999-DR-2 ♦</b>	6791
			Std. PG260 Starter (3-Terminal)	DR 1.7	9000819	<b>2-1691-DR-2</b>	6560
			Std. PG260 Starter (4-Terminal)	DR 1.7	9000821	<b>2-1691-DR-2</b>	6562
		98-On	Replacement PG260G Starter	DR 1.4	9000884	<b>2-1999-DR-2 ♦</b>	6792
			Std. PG260F1 Starter	DR 1.4	9000840	<b>2-1999-DR-2 ♦</b>	6791
Model 4.3L (Gen II)	GM 4.3L - 262ci - 6cyl	96	Std. PG260 Starter (3-Terminal)	DR 1.7	9000819	<b>2-1691-DR-2</b>	6560
			Std. PG260 Starter (4-Terminal)	DR 1.7	9000821	<b>2-1691-DR-2</b>	6562
		95-94	Standard PG200 Starter	DR 1.7	9000762	<b>2-1691-DR-2</b>	6409
			Std. PG260 Starter (3-Terminal)	DR 1.7	9000819	<b>2-1691-DR-2</b>	6560
			Std. PG260 Starter (4-Terminal)	DR 1.7	9000821	<b>2-1691-DR-2</b>	6562
		93-92	Delco System	DR 1.7	9000762	<b>2-1691-DR-2</b>	6409
Model 4.3L (Gen II) (2-BBL)	GM 4.3L - 262ci - 6cyl	96	Std. PG260 Starter (3-Terminal)	DR 1.7	9000819	<b>2-1691-DR-2</b>	6560
			Std. PG260 Starter (4-Terminal)	DR 1.7	9000821	<b>2-1691-DR-2</b>	6562
		95-94	Standard PG200 Starter	DR 1.7	9000762	<b>2-1691-DR-2</b>	6409
			Std. PG260 Starter (3-Terminal)	DR 1.7	9000819	<b>2-1691-DR-2</b>	6560
			Std. PG260 Starter (4-Terminal)	DR 1.7	9000821	<b>2-1691-DR-2</b>	6562
			93	Delco System	DR 1.7	9000762	<b>2-1691-DR-2</b>
		92	Standard PG200 Starter	DR 1.7	9000762	<b>2-1691-DR-2</b>	6409
			Std. PG260 Starter (3-Terminal)	DR 1.7	9000819	<b>2-1691-DR-2</b>	6560
			Std. PG260 Starter (4-Terminal)	DR 1.7	9000821	<b>2-1691-DR-2</b>	6562
			Delco System	DR 1.7	9000762	<b>2-1691-DR-2</b>	6409

♦ See Buyer's Guide for Optional Units



# STARTERS

Model	Engine	Year	Option	Mfg	KW	OEM #	PART NO.	REF.	
<b>MERCUISER - continued</b>									
<b>Stern Drives - continued</b>									
Model 4.3L EFI	GM 4.3L - 262ci - 6cyl	99	Delco System	DR	1.4	9000840	2-1999-DR-2 ♦	6791	
Model 4.3L EFI (Gen +) TBI	GM 4.3L - 262ci - 6cyl	01-98	Replacement PG260G Starter	DR	1.4	9000884	2-1999-DR-2 ♦	6792	
			Std. PG260F1 Starter	DR	1.4	9000840	2-1999-DR-2 ♦	6791	
Model 4.3L MPI	GM 4.3L - 262ci - 6cyl	02-01	Std. PG260G Starter	DR	1.4	9000884	2-1999-DR-2 ♦	6792	
Model 4.3L (Carb.) Alpha & Bravo	GM 4.3L - 262ci - 6cyl	02-On	Std. PG260G Starter	DR	1.4	9000884	2-1999-DR-2 ♦	6792	
Model 4.3L (MFI) Alpha & Bravo	GM 4.3L - 262ci - 6cyl	02-On	Std. PG260G Starter	DR	1.4	9000884	2-1999-DR-2 ♦	6792	
Model 4.3LH (Gen +) (4-BBL)	GM 4.3L - 262ci - 6cyl	98-On	Replacement PG260G Starter	DR	1.4	9000884	2-1999-DR-2 ♦	6792	
			Std. PG260F1 Starter	DR	1.4	9000840	2-1999-DR-2 ♦	6791	
Model 4.3LHX (Gen +) (4-BBL)	GM 4.3L - 262ci - 6cyl	97-96	Opt. PG260 Starter (Smaller Case)	DR	1.4	9000840	2-1999-DR-2 ♦	6791	
			Std. PG260 Starter (4-Terminal)	DR	1.7	9000821	2-1691-DR-2	6562	
Model 4.3LX (4-BBL)	GM 4.3L - 262ci - 6cyl	92-88	Standard 10MT Starter	DR		1998570	2-2909-DR ♦	6423	
Model 4.3LX (Gen +) (2-BBL)	GM 4.3L - 262ci - 6cyl	97-96	Opt. PG260 Starter (Smaller Case)	DR	1.4	9000840	2-1999-DR-2 ♦	6791	
			Std. PG260 Starter (3-Terminal)	DR	1.7	9000819	2-1691-DR-2	6560	
			Std. PG260 Starter (4-Terminal)	DR	1.7	9000821	2-1691-DR-2	6562	
Model 4.3LX (Gen II) (4-BBL)	GM 4.3L - 262ci - 6cyl	96	Std. PG260 Starter (3-Terminal)	DR	1.7	9000819	2-1691-DR-2	6560	
			Std. PG260 Starter (4-Terminal)	DR	1.7	9000821	2-1691-DR-2	6562	
		95-94	Standard PG200 Starter	DR	1.7	9000762	2-1691-DR-2	6409	
			Std. PG260 Starter (3-Terminal)	DR	1.7	9000819	2-1691-DR-2	6560	
		93	Std. PG260 Starter (4-Terminal)	DR	1.7	9000821	2-1691-DR-2	6562	
			Delco System	DR	1.7	9000762	2-1691-DR-2	6409	
			Standard PG200 Starter	DR	1.7	9000762	2-1691-DR-2	6409	
			Std. PG260 Starter (3-Terminal)	DR	1.7	9000819	2-1691-DR-2	6560	
		92	Std. PG260 Starter (4-Terminal)	DR	1.7	9000821	2-1691-DR-2	6562	
			Delco System	DR	1.7	9000762	2-1691-DR-2	6409	
Model 5.0L (2-BBL)	GM 5.0L - 305ci - 8cyl	98-95	Delco System	DR	1.4	9000840	2-1999-DR-2 ♦	6791	
Model 5.0L (2-BBL) (Gen +)	GM 5.0L - 305ci - 8cyl	02-98	Std. PG260G Starter	DR	1.4	9000884	2-1999-DR-2 ♦	6792	
Model 5.0L (Carb.) Alpha & Bravo	GM 5.0L - 305ci - 8cyl	02-On	Std. PG260G Starter	DR	1.4	9000884	2-1999-DR-2 ♦	6792	
Model 5.0L EFI (Gen +)	GM 5.0L - 305ci - 8cyl	01-98	Replacement PG260G Starter	DR	1.4	9000884	2-1999-DR-2 ♦	6792	
			Std. PG260F1 Starter	DR	1.4	9000840	2-1999-DR-2 ♦	6791	
Model 5.0L MPI Alpha & Bravo	GM 5.0L - 305ci - 8cyl	01-On	Std. PG260G Starter	DR	1.4	9000884	2-1999-DR-2 ♦	6792	
Model 5.0LX	GM 5.0L - 305ci - 8cyl	95-88	Standard 10MT Starter	DR		1998570	2-2909-DR ♦	6423	
			Standard PG200 Starter	DR	1.7	9000762	2-1691-DR-2	6409	
			Std. PG260 Starter (3-Terminal)	DR	1.7	9000819	2-1691-DR-2	6560	
			Std. PG260 Starter (4-Terminal)	DR	1.7	9000821	2-1691-DR-2	6562	
Model 5.7L (2-BBL)	GM 5.7L - 350ci - 8cyl	98	Std. PG260 Starter (4-Terminal)	DR	1.7	9000821	2-1691-DR-2	6562	
			97-96	Std. PG260 Starter (3-Terminal)	DR	1.7	9000819	2-1691-DR-2	6560
			Std. PG260 Starter (4-Terminal)	DR	1.7	9000821	2-1691-DR-2	6562	
Model 5.7L (2-BBL) (Gen +)	GM 5.7L - 350ci - 8cyl	02-98	Std. PG260G Starter	DR	1.4	9000884	2-1999-DR-2 ♦	6792	
Model 5.7L (Carb.) Alpha & Bravo	GM 5.7L - 350ci - 8cyl	02-On	Std. PG260G Starter	DR	1.4	9000884	2-1999-DR-2 ♦	6792	
Model 5.7L Bravo	GM 5.7L - 350ci - 8cyl	95-89	Standard 10MT Starter	DR		1998570	2-2909-DR ♦	6423	
			Standard PG200 Starter	DR	1.7	9000762	2-1691-DR-2	6409	
			Std. PG260 Starter (3-Terminal)	DR	1.7	9000819	2-1691-DR-2	6560	
			Std. PG260 Starter (4-Terminal)	DR	1.7	9000821	2-1691-DR-2	6562	
Model 5.7L EFI (Gen +)	GM 5.7L - 350ci - 8cyl	01-98	Replacement PG260G Starter	DR	1.4	9000884	2-1999-DR-2 ♦	6792	
			Std. PG260F1 Starter	DR	1.4	9000840	2-1999-DR-2 ♦	6791	
Model 5.7L EFI (TBI) (2-BBL)	GM 5.7L - 350ci - 8cyl	97-96	Std. PG260 Starter (3-Terminal)	DR	1.7	9000819	2-1691-DR-2	6560	
			Std. PG260 Starter (4-Terminal)	DR	1.7	9000821	2-1691-DR-2	6562	
Model 5.7L EFI (TBI) Alpha	GM 5.7L - 350ci - 8cyl	95	Std. PG260 Starter (3-Terminal)	DR	1.7	9000819	2-1691-DR-2	6560	
			Std. PG260 Starter (4-Terminal)	DR	1.7	9000821	2-1691-DR-2	6562	
Model 5.7L EFI (TBI) Bravo	GM 5.7L - 350ci - 8cyl	95	Std. PG260 Starter (3-Terminal)	DR	1.7	9000819	2-1691-DR-2	6560	
			Std. PG260 Starter (4-Terminal)	DR	1.7	9000821	2-1691-DR-2	6562	
Model 5.7LX (4-BBL)	GM 5.7L - 350ci - 8cyl	97-96	Std. PG260 Starter (3-Terminal)	DR	1.7	9000819	2-1691-DR-2	6560	
			Std. PG260 Starter (4-Terminal)	DR	1.7	9000821	2-1691-DR-2	6562	
Model 5.7LX Bravo EFI (Gen +)	GM 5.7L - 350ci - 8cyl	97-96	Std. PG260 Starter (3-Terminal)	DR	1.7	9000819	2-1691-DR-2	6560	
			Std. PG260 Starter (4-Terminal)	DR	1.7	9000821	2-1691-DR-2	6562	
Model 5.7LX EFI (TBI) (2-BBL)	GM 5.7L - 350ci - 8cyl	97	Std. PG260 Starter (3-Terminal)	DR	1.7	9000819	2-1691-DR-2	6560	
			Std. PG260 Starter (4-Terminal)	DR	1.7	9000821	2-1691-DR-2	6562	
Model 5.7LX EFI (TBI) (4-BBL)	GM 5.7L - 350ci - 8cyl	97-96	Std. PG260 Starter (3-Terminal)	DR	1.7	9000819	2-1691-DR-2	6560	
			Std. PG260 Starter (4-Terminal)	DR	1.7	9000821	2-1691-DR-2	6562	

♦ See Buyer's Guide for Optional Units

Model	Engine	Year	Option	Mfg	KW	OEM #	PART NO.	REF.		
<b>MERCUISER - continued</b>										
<b>Stern Drives - continued</b>										
Model 7.4L Bravo	GM 7.4L - 454ci - 8cyl	91-88	Standard 10MT Starter	DR		1998570	<b>2-2909-DR ♦</b>	6423		
			Standard PG200 Starter	DR 1.7	9000762	<b>2-1691-DR-2</b>	6409			
Model 7.4L Bravo (Gen V)	GM 7.4L - 454ci - 8cyl	96-92	Standard PG200 Starter	DR 1.7	9000762		<b>2-1691-DR-2</b>	6409		
			Std. PG260 Starter (3-Terminal)	DR 1.7	9000819		<b>2-1691-DR-2</b>	6560		
			Std. PG260 Starter (4-Terminal)	DR 1.7	9000821		<b>2-1691-DR-2</b>	6562		
Model 7.4L Bravo (Gen VI)	GM 7.4L - 454ci - 8cyl	97-96	Std. PG260 Starter (3-Terminal)	DR 1.7	9000819		<b>2-1691-DR-2</b>	6560		
			Std. PG260 Starter (4-Terminal)	DR 1.7	9000821		<b>2-1691-DR-2</b>	6562		
Model 7.4L MPI (Gen VI)	GM 7.4L - 454ci - 8cyl	98	Std. PG260 Starter (3-Terminal)	DR 1.7	9000819		<b>2-1691-DR-2</b>	6560		
Model 7.4LX Bravo MPI (Gen V)	GM 7.4L - 454ci - 8cyl	96	Std. PG260 Starter (3-Terminal)	DR 1.7	9000819		<b>2-1691-DR-2</b>	6560		
			Std. PG260 Starter (4-Terminal)	DR 1.7	9000821		<b>2-1691-DR-2</b>	6562		
Model 7.4LX Bravo MPI (Gen VI)	GM 7.4L - 454ci - 8cyl	97-96	Std. PG260 Starter (3-Terminal)	DR 1.7	9000819		<b>2-1691-DR-2</b>	6560		
			Std. PG260 Starter (4-Terminal)	DR 1.7	9000821		<b>2-1691-DR-2</b>	6562		
Model 7.4LX Bravo TBI (Gen VI)	GM 7.4L - 454ci - 8cyl	97-96	Std. PG260 Starter (3-Terminal)	DR 1.7	9000819		<b>2-1691-DR-2</b>	6560		
			Std. PG260 Starter (4-Terminal)	DR 1.7	9000821		<b>2-1691-DR-2</b>	6562		
Model 7.4LX MPI (Gen V)	GM 7.4L - 454ci - 8cyl	96	Std. PG260 Starter (3-Terminal)	DR 1.7	9000819		<b>2-1691-DR-2</b>	6560		
Model 7.4LX MPI (Gen VI)	GM 7.4L - 454ci - 8cyl	97-96	Std. PG260 Starter (3-Terminal)	DR 1.7	9000819		<b>2-1691-DR-2</b>	6560		
			Std. PG260 Starter (4-Terminal)	DR 1.7	9000821		<b>2-1691-DR-2</b>	6562		
Model 7.4LX MPI (Gen VI) (L29)	GM 7.4L - 454ci - 8cyl	00-98	Standard PG260M Starter	DR 1.7	9000819		<b>2-1691-DR-2</b>	6560		
Model 7.4LX TBI (Gen VI)	GM 7.4L - 454ci - 8cyl	97-96	Std. PG260 Starter (3-Terminal)	DR 1.7	9000819		<b>2-1691-DR-2</b>	6560		
			Std. PG260 Starter (4-Terminal)	DR 1.7	9000821		<b>2-1691-DR-2</b>	6562		
Model 110	GM 2.5L - 153ci - 4cyl	66-63	Delco System	DR	50-32703		<b>2-1592-DR ♦</b>	3664		
Model 120	GM 2.5L - 153ci - 4cyl	89-86	Delco System	DR	1109488		<b>2-1591-DR ♦</b>	3550		
		85-79	Delco System	DR	1109490		<b>2-1591-DR ♦</b>	3548		
		78-73	w/Center Support Plate	DR	1108756		<b>2-1591-DR ♦</b>	3548		
			wo/Center Support Plate	DR	1108477		<b>2-1592-DR ♦</b>	3664		
Model 140	GM 3.0L - 181ci - 4cyl	86	Delco System	DR	1109488		<b>2-1591-DR ♦</b>	3550		
		85-79	Delco System	DR	1109490		<b>2-1591-DR ♦</b>	3548		
		78-73	w/Center Support Plate	DR	1108756		<b>2-1591-DR ♦</b>	3548		
			wo/Center Support Plate	DR	1108477		<b>2-1592-DR ♦</b>	3664		
	GM 3.2L - 194ci - 6cyl	63	Delco System	DR	50-32703		<b>2-1592-DR ♦</b>	3664		
Model 150	GM 3.8L - 230ci - 6cyl	66-64	Delco System	DR	50-32703		<b>2-1592-DR ♦</b>	3664		
Model 160	GM 4.1L - 250ci - 6cyl	69-67	Delco System	DR	50-45120		<b>2-1592-DR ♦</b>	3664		
Model 165	GM 4.1L - 250ci - 6cyl	82-79	Delco System	DR	1109488		<b>2-1591-DR ♦</b>	3550		
		78-70	Delco System	DR	50-45120		<b>2-1592-DR ♦</b>	3664		
		Mercury 3.7L - 224ci - 4cyl	89-87	Delco System	DR	1998460		<b>2-2591-DR-2</b>	6420	
Model 170	Mercury 3.7L - 224ci - 4cyl	86-84	Delco System	DR	1998460		<b>2-2591-DR-2</b>	6420		
Model 175	GM 4.3L - 262ci - 6cyl	92-91	Delco System	DR 1.7	9000762		<b>2-1691-DR-2</b>	6409		
		90-87	Delco System	DR	1998570		<b>2-2909-DR ♦</b>	6423		
Model 180	Mercury 3.7L - 224ci - 4cyl	89-87	Delco System	DR	1998460		<b>2-2591-DR-2</b>	6420		
Model 185	GM 3.8L - 229ci - 6cyl	84-83	Delco System	DR	1109488		<b>2-1591-DR ♦</b>	3550		
	GM 4.3L - 262ci - 6cyl	87-85	Delco System	DR	1998570		<b>2-2909-DR ♦</b>	6423		
Model 190	GM 4.6L - 283ci - 8cyl	64-63	Delco System	DR	50-32703		<b>2-1592-DR ♦</b>	3664		
	Mercury 3.7L - 224ci - 4cyl	86-85	Delco System	DR	1998460		<b>2-2591-DR-2</b>	6420		
Model 200	GM 4.9L - 292ci - 6cyl	69	Delco System	DR	50-45120		<b>2-1592-DR ♦</b>	3664		
			GM 5.0L - 305ci - 8cyl	87	Standard 10MT Starter	DR	1998570		<b>2-2909-DR ♦</b>	6423
					Standard PG200 Starter	DR 1.7	9000762		<b>2-1691-DR-2</b>	6409
					Std. PG260 Starter (3-Terminal)	DR 1.7	9000819		<b>2-1691-DR-2</b>	6560
					Std. PG260 Starter (4-Terminal)	DR 1.7	9000821		<b>2-1691-DR-2</b>	6562
86-85	w/12 3/4" Flywheel	DR	1998317		<b>2-1591-DR ♦</b>	3550				
	w/14" Flywheel	DR	1998570		<b>2-2909-DR ♦</b>	6423				
Model 205	GM 4.3L - 262ci - 6cyl	91-88	Delco System	DR	1998570		<b>2-2909-DR ♦</b>	6423		
			Delco System	DR 1.7	9000762		<b>2-1691-DR-2</b>	6409		
		87-85	Delco System	DR	1998570		<b>2-2909-DR ♦</b>	6423		

♦ See Buyer's Guide for Optional Units

# STARTERS

Model	Engine	Year	Option	Mfg	KW	OEM #	PART NO.	REF.
<b>MERCUISER - continued</b>								
<b>Stern Drives - continued</b>								
Model 215	Ford 5.0L - 302ci - 8cyl	72-70	Electric Shift (Clockwise)	FD		D5FF-11001-AA	<b>2-2900-FD</b>	3162
			Electric Shift (Counter CW)	FD		50-70604A3	<b>2-2901-FD ♦</b>	3134
			Hydraulic Shift (Clockwise)	DR		1108373	<b>2-2592-DR ♦</b>	4297
			Hydraulic Shift (Counter CW)	DR		1108374	<b>2-2752-DR-2</b>	4298
Model 225	Ford 5.0L - 302ci - 8cyl	74-73	Clockwise	FD		D5FF-11001-AA	<b>2-2900-FD</b>	3162
			Counter CW	FD		50-70604A3	<b>2-2901-FD ♦</b>	3134
	GM 5.4L - 327ci - 8cyl	69-67	Stern Drive - CW Rotation (Std.)	DR		50-46277	<b>2-1592-DR ♦</b>	3664
		66-63	Delco System	DR		50-32703	<b>2-1592-DR ♦</b>	3664
Model 228	GM 5.0L - 305ci - 8cyl	84-82	w/12 3/4" Flywheel	DR		1998317	<b>2-1591-DR ♦</b>	3550
			w/14" Flywheel	DR		1998570	<b>2-2909-DR ♦</b>	6423
		81-77	Stern Drive - CW Rotation (Std.)	DR		1108755	<b>2-1591-DR ♦</b>	3548
Model 230	GM 5.0L - 305ci - 8cyl	87	Standard 10MT Starter	DR		1998570	<b>2-2909-DR ♦</b>	6423
			Standard PG200 Starter	DR 1.7		9000762	<b>2-1691-DR-2</b>	6409
			Std. PG260 Starter (3-Terminal)	DR 1.7		9000819	<b>2-1691-DR-2</b>	6560
			Std. PG260 Starter (4-Terminal)	DR 1.7		9000821	<b>2-1691-DR-2</b>	6562
		86-85	w/12 3/4" Flywheel	DR		1998317	<b>2-1591-DR ♦</b>	3550
			w/14" Flywheel	DR		1998570	<b>2-2909-DR ♦</b>	6423
Model 250	GM 5.4L - 327ci - 8cyl	69-68	Clockwise	DR		1108373	<b>2-2592-DR ♦</b>	4297
			Counter CW	DR		1108374	<b>2-2752-DR-2</b>	4298
	GM 5.7L - 350ci - 8cyl	77	Delco System	DR		1109488	<b>2-1591-DR ♦</b>	3550
Model 255	Ford 5.8L - 351ci - 8cyl	74-73	Stern Drive - Ford System	FD		D5FF-11001-AA	<b>2-2900-FD</b>	3162
Model 260	GM 5.7L - 350ci - 8cyl	87	Standard 10MT Starter	DR		1998570	<b>2-2909-DR ♦</b>	6423
			Standard PG200 Starter	DR 1.7		9000762	<b>2-1691-DR-2</b>	6409
			Std. PG260 Starter (3-Terminal)	DR 1.7		9000819	<b>2-1691-DR-2</b>	6560
			Std. PG260 Starter (4-Terminal)	DR 1.7		9000821	<b>2-1691-DR-2</b>	6562
		86-82	w/12 3/4" Flywheel	DR		1998317	<b>2-1591-DR ♦</b>	3550
			w/14" Flywheel	DR		1998570	<b>2-2909-DR ♦</b>	6423
		81-78	Delco System	DR		1109488	<b>2-1591-DR ♦</b>	3550
Model 262 Mag (Gen +) (TBI)	GM 4.3L - 262ci - 6cyl	97-96	Std. PG260 Starter	DR 1.7		9000821	<b>2-1691-DR-2</b>	6562
Model 270	GM 5.7L - 350ci - 8cyl	72-69	Clockwise	DR		1108373	<b>2-2592-DR ♦</b>	4297
			Counter CW	DR		1108374	<b>2-2752-DR-2</b>	4298
Model 280 TRS	GM 5.7L - 350ci - 8cyl	76-75	Delco System	DR		1109488	<b>2-1591-DR ♦</b>	3550
Model 300 Tempest	GM 5.7L - 350ci - 8cyl	86-85	MR - w/12 3/4" Flywheel	DR		1998317	<b>2-1591-DR ♦</b>	3550
			MR - w/14" Flywheel	DR		1998570	<b>2-2909-DR ♦</b>	6423
			TR - All	DR		1998316	<b>2-2752-DR-2</b>	4304
Model 320 (EFI)	GM 5.7L - 350ci - 8cyl	90-87	Delco System	DR		1998570	<b>2-2909-DR ♦</b>	6423
Model 325	GM 7.0L - 427ci - 8cyl	72-69	Clockwise	DR		1108373	<b>2-2592-DR ♦</b>	4297
			Counter CW	DR		1108374	<b>2-2752-DR-2</b>	4298
Model 330	GM 7.4L - 454ci - 8cyl	87-82	Stern Drive - All	DR		1109485	<b>2-2752-DR-2</b>	4304
		81-77	Stern Drive - All	DR		1109482	<b>2-2909-DR ♦</b>	6423
Model 350 Mag Alpha	GM 5.7L - 350ci - 8cyl	95-88	Standard 10MT Starter	DR		1998570	<b>2-2909-DR ♦</b>	6423
			Standard PG200 Starter	DR 1.7		9000762	<b>2-1691-DR-2</b>	6409
			Standard PG260 Starter	DR 1.7		9000821	<b>2-1691-DR-2</b>	6562
		87-86	Delco System	DR		1998570	<b>2-2909-DR ♦</b>	6423
Model 350 Mag Alpha (4-BBL)	GM 5.7L - 350ci - 8cyl	97-96	Std. PG260 Starter (3-Terminal)	DR 1.7		9000819	<b>2-1691-DR-2</b>	6560
			Std. PG260 Starter (4-Terminal)	DR 1.7		9000821	<b>2-1691-DR-2</b>	6562
Model 350 Mag Alpha EFI (Gen +)	GM 5.7L - 350ci - 8cyl	97-96	Std. PG260 Starter (3-Terminal)	DR 1.7		9000819	<b>2-1691-DR-2</b>	6560
			Std. PG260 Starter (4-Terminal)	DR 1.7		9000821	<b>2-1691-DR-2</b>	6562
Model 350 Mag Bravo MPI	GM 5.7L - 350ci - 8cyl	95	Std. PG260 Starter (3-Terminal)	DR 1.7		9000819	<b>2-1691-DR-2</b>	6560
			Std. PG260 Starter (4-Terminal)	DR 1.7		9000821	<b>2-1691-DR-2</b>	6562
Model 350 Mag Bravo MPI (Gen +)	GM 5.7L - 350ci - 8cyl	97-96	Std. PG260 Starter (3-Terminal)	DR 1.7		9000819	<b>2-1691-DR-2</b>	6560
			Std. PG260 Starter (4-Terminal)	DR 1.7		9000821	<b>2-1691-DR-2</b>	6562
Model 350 Mag MPI Alpha & Bravo	GM 5.7L - 350ci - 8cyl	01-On	Std. PG260G Starter	DR 1.4		9000884	<b>2-1999-DR-2 ♦</b>	6792
			Replacement PG260G Starter	DR 1.4		9000884	<b>2-1999-DR-2 ♦</b>	6792
			Std. PG260F1 Starter	DR 1.4		9000840	<b>2-1999-DR-2 ♦</b>	6791
Model 350 Mag MPI Hor Alpha & Bravo	GM 5.7L - 350ci - 8cyl	01-On	Std. PG260G Starter	DR 1.4		9000884	<b>2-1999-DR-2 ♦</b>	6792
Model 370 TRS	GM 7.4L - 454ci - 8cyl	87-78	Delco System	DR		1998316	<b>2-2752-DR-2</b>	4304
Model 390	GM 7.5L - 482ci - 8cyl	70-69	Clockwise	DR		1108373	<b>2-2592-DR ♦</b>	4297
			Counter CW	DR		1108374	<b>2-2752-DR-2</b>	4298

♦ See Buyer's Guide for Optional Units

Model	Engine	Year	Option	Mfg	KW	OEM #	PART NO.	REF.
<b>MERCURISER - continued</b>								
<b>Stern Drives - continued</b>								
Model 400 TRS (Cyclone)	GM 7.4L - 454ci - 8cyl	86-80	Delco System	DR		1998316	2-2752-DR-2	4304
Model 440 TRS (Cyclone)	GM 7.4L - 454ci - 8cyl	86-83	Delco System	DR		1998316	2-2752-DR-2	4304
Model 454 EFI (Gen V)	GM 7.4L - 454ci - 8cyl	96-94	Standard PG200 Starter	DR	1.7	9000762	2-1691-DR-2	6409
			Std. PG260 Starter (3-Terminal)	DR	1.7	9000819	2-1691-DR-2	6560
			Std. PG260 Starter (4-Terminal)	DR	1.7	9000821	2-1691-DR-2	6562
Model 454 Mag Alpha	GM 7.4L - 454ci - 8cyl	88-86	Delco System	DR		1109482	2-2909-DR ♦	6423
Model 454 Mag Bravo	GM 7.4L - 454ci - 8cyl	92-88	Standard 10MT Starter	DR		1998570	2-2909-DR ♦	6423
			Standard PG200 Starter	DR	1.7	9000762	2-1691-DR-2	6409
Model 454 Mag Bravo (Gen V)	GM 7.4L - 454ci - 8cyl	96-95	Std. PG260 Starter (3-Terminal)	DR	1.7	9000819	2-1691-DR-2	6560
			Std. PG260 Starter (4-Terminal)	DR	1.7	9000821	2-1691-DR-2	6562
			Standard PG200 Starter	DR	1.7	9000762	2-1691-DR-2	6409
			Std. PG260 Starter (3-Terminal)	DR	1.7	9000819	2-1691-DR-2	6560
			Std. PG260 Starter (4-Terminal)	DR	1.7	9000821	2-1691-DR-2	6562
Model 454 Mag Bravo (Gen VI)	GM 7.4L - 454ci - 8cyl	97-96	Std. PG260 Starter (3-Terminal)	DR	1.7	9000819	2-1691-DR-2	6560
			Std. PG260 Starter (4-Terminal)	DR	1.7	9000821	2-1691-DR-2	6562
Model 454 Mag Bravo MPI (Gen VI)	GM 7.4L - 454ci - 8cyl	00-On	Std. PG260G Starter	DR	1.4	9000884	2-1999-DR-2 ♦	6792
		99-96	Std. PG260 Starter (3-Terminal)	DR	1.7	9000819	2-1691-DR-2	6560
			Std. PG260 Starter (4-Terminal)	DR	1.7	9000821	2-1691-DR-2	6562
Model 454 Mag MPI (Gen VI)	GM 7.4L - 454ci - 8cyl	98-96	Standard PG260M Starter	DR	1.7	9000821	2-1691-DR-2	6562
Model 454 Mag MPI Horizon	GM 7.4L - 454ci - 8cyl	01-On	Replacement PMGR Starter	DR	1.6	9000888	2-2361-DR-2 ♦	6793
			Standard 14MT Starter	DR		19010615	2-2752-DR-2	6616
Model 460 TRS (Cyclone)	GM 7.5L - 482ci - 8cyl	86-83	Delco System	DR		1998316	2-2752-DR-2	4304
Model 470	Mercury 3.7L - 224ci - 4cyl	84-83	Clockwise	DR		1998404	2-2591-DR-2	6420
Model 488	Mercury 3.7L - 224ci - 4cyl	84-83	Clockwise	DR		1998404	2-2591-DR-2	6420
Model 496 Mag	GM 8.1L - 496ci - 8cyl	01-On	Replacement PG260G Starter	DR	1.4	9000884	2-1999-DR-2 ♦	6792
			Standard PG260M Starter	DR	1.7	9000821	2-1691-DR-2	6562
Model 496 Mag HO	GM 8.1L - 496ci - 8cyl	01-On	Replacement PG260G Starter	DR	1.4	9000884	2-1999-DR-2 ♦	6792
			Standard PG260M Starter	DR	1.7	9000821	2-1691-DR-2	6562
Model 502 EFI (Gen V)	GM 8.2L - 502ci - 8cyl	95-93	Standard PG200 Starter	DR	1.7	9000762	2-1691-DR-2	6409
			Std. PG260 Starter (3-Terminal)	DR	1.7	9000819	2-1691-DR-2	6560
			Std. PG260 Starter (4-Terminal)	DR	1.7	9000821	2-1691-DR-2	6562
Model 502 Mag Bravo	GM 8.2L - 502ci - 8cyl	92-90	Delco System	DR	1.7	9000762	2-1691-DR-2	6409
Model 502 Mag Bravo (Gen V)	GM 8.2L - 502ci - 8cyl	93-92	Standard PG200 Starter	DR	1.7	9000762	2-1691-DR-2	6409
			Standard PG260 Starter	DR	1.7	9000821	2-1691-DR-2	6562
Model 502 Mag MPI (Gen VI)	GM 8.2L - 502ci - 8cyl	99-On	Replacement PG260G Starter	DR	1.4	9000884	2-1999-DR-2 ♦	6792
		98-96	Std. PG260 Starter (3-Terminal)	DR	1.7	9000819	2-1691-DR-2	6560
			Std. PG260 Starter (4-Terminal)	DR	1.7	9000821	2-1691-DR-2	6562
Model 502 Mag MPI Bravo (Gen VI)	GM 8.2L - 502ci - 8cyl	99-98	Std. PG260 Starter (3-Terminal)	DR	1.7	9000819	2-1691-DR-2	6560
			Std. PG260 Starter (4-Terminal)	DR	1.7	9000821	2-1691-DR-2	6562
Model 888	Ford 5.0L - 302ci - 8cyl	77-71	Ford System	FD		D5FF-11001-AA	2-2900-FD	3162
Model 898	GM 5.0L - 305ci - 8cyl	84-83	w/12 3/4" Flywheel	DR		1998317	2-1591-DR ♦	3550
			w/14" Flywheel	DR		1998570	2-2909-DR ♦	6423
		82-77	Stern Drive - CW Rotation (Opt.)	DR		1109488	2-1591-DR ♦	3550
			Stern Drive - CW Rotation (Std.)	DR		1109489	2-1591-DR ♦	3548
Model MX 6.2L MPI	GM 6.2L - 377ci - 8cyl	00-On	Standard PG260G Starter	DR	1.4	9000884	2-1999-DR-2 ♦	6792
Model MX 6.2L MPI Horizon	GM 6.2L - 377ci - 8cyl	00-On	Standard PG260G Starter	DR	1.4	9000884	2-1999-DR-2 ♦	6792

## MERCURY

### Engines - Marine Outboard

2.0L Racing		All	United Tech System	UT		50-60594A1	2-2912-PL	5903
2.4L Racing		All	United Tech System	UT		50-79472	2-2081-UT	5389
2.5L Racing	2.5L - 280 H.P.	All	S/N OT997974-Up	DR		50-892339T	2-2580-DR	6794
			S/N OT999519 & Below	UT		50-79472	2-2081-UT	5389
3.4LELPT	3.4L - 207.0ci - 275 H.P.	87-84	United Tech System	UT		50-44415	2-2081-UT	5389
3.4LEXLPT	3.4L - 207.0ci - 275 H.P.	87-84	United Tech System	UT		50-44415	2-2081-UT	5389
8HP	12.8ci - 8.0 H. P.	94-86	All	UT		50-90983A1	2-2163-2	5724
9.9E	12.8ci - 9.9 H. P.	90-86	All	UT		50-90983A1	2-2163-2	5724
9.9EH	12.8ci - 9.9 H. P.	89-88	All	UT		50-90983A1	2-2163-2	5724
9.9EH 4-Stroke	19.7ci - 9.9 H.P.	08-05	Retaining Ring Design	UT		50-852570T	2-2788-UT-2	5763
9.9EL	12.8ci - 9.9 H. P.	89-86	All	UT		50-90983A1	2-2163-2	5724

♦ See Buyer's Guide for Optional Units

# STARTERS

Model	Engine	Year	Option	Mfg	KW	OEM #	PART NO.	REF.
<b>MERCURY - continued</b>								
<b>Engines - Marine Outboard - continued</b>								
9.9EL 4-Stroke	19.7ci - 9.9 H.P.	08-99	Retaining Ring Design	UT		50-852570T	<b>2-2788-UT-2</b>	5763
9.9EL B/F 4-Stroke	19.7ci - 9.9 H.P.	08-99	Retaining Ring Design	UT		50-852570T	<b>2-2788-UT-2</b>	5763
9.9ELH 4-Stroke	19.7ci - 9.9 H.P.	08-05	Retaining Ring Design	UT		50-852570T	<b>2-2788-UT-2</b>	5763
9.9ELH B/F 4-Stroke	19.7ci - 9.9 H.P.	08-99	Retaining Ring Design	UT		50-852570T	<b>2-2788-UT-2</b>	5763
9.9ELHPT B/F 4-Stroke	19.7ci - 9.9 H.P.	08-05	Retaining Ring Design	UT		50-852570T	<b>2-2788-UT-2</b>	5763
9.9ELPT B/F 4-Stroke	19.7ci - 9.9 H.P.	08-05	Retaining Ring Design	UT		50-852570T	<b>2-2788-UT-2</b>	5763
9.9ELRC	12.8ci - 9.9 H. P. 16.0ci - 9.9 H.P.	94-90	All	UT		50-90983A1	<b>2-2163-2</b>	5724
		01-99	All	UT		50-90983T1	<b>2-2163-2</b>	5724
		98-95	All	UT		50-90983A1	<b>2-2163-2</b>	5724
9.9EXLH B/F Sail 4-Stroke	19.7ci - 9.9 H.P.	08-99	Retaining Ring Design	UT		50-852570T	<b>2-2788-UT-2</b>	5763
9.9EXLPT B/F 4-Stroke	19.7ci - 9.9 H.P.	09-05	Retaining Ring Design	UT		50-852570T	<b>2-2788-UT-2</b>	5763
9.9EXLHPT B/F 4-Stroke	19.7ci - 9.9 H.P.	08-07	Retaining Ring Design	UT		50-852570T	<b>2-2788-UT-2</b>	5763
15E 4-Stroke	19.7ci - 15 H.P.	08-99	Retaining Ring Design	UT		50-852570T	<b>2-2788-UT-2</b>	5763
		98	All	UT		50-852570	<b>2-2788-UT-2</b>	5763
15EH	12.8ci - 15 H.P. 16.0ci - 15 H.P.	88	All	UT		50-90983A1	<b>2-2163-2</b>	5724
		05-99	All	UT		50-90983T1	<b>2-2163-2</b>	5724
		98-89	All	UT		50-90983A1	<b>2-2163-2</b>	5724
15EH 4-Stroke	19.7ci - 15 H.P.	08-99	Retaining Ring Design	UT		50-852570T	<b>2-2788-UT-2</b>	5763
15EL	12.8ci - 15 H.P. 16.0ci - 15 H.P.	88	All	UT		50-90983A1	<b>2-2163-2</b>	5724
		02-99	All	UT		50-90983T1	<b>2-2163-2</b>	5724
		98-89	All	UT		50-90983A1	<b>2-2163-2</b>	5724
15EL 4-Stroke	19.7ci - 15 H.P.	08-99	Retaining Ring Design	UT		50-852570T	<b>2-2788-UT-2</b>	5763
		98	All	UT		50-852570	<b>2-2788-UT-2</b>	5763
		08-99	Retaining Ring Design	UT		50-852570T	<b>2-2788-UT-2</b>	5763
15EL B/F 4-Stroke	19.7ci - 15 H.P.	08-99	Retaining Ring Design	UT		50-852570T	<b>2-2788-UT-2</b>	5763
		98	All	UT		50-852570	<b>2-2788-UT-2</b>	5763
		08-99	Retaining Ring Design	UT		50-852570T	<b>2-2788-UT-2</b>	5763
15ELH	12.8ci - 15 H.P.	88	All	UT		50-90983A1	<b>2-2163-2</b>	5724
	16.0ci - 15 H.P.	02-99	All	UT		50-90983T1	<b>2-2163-2</b>	5724
		98-89	All	UT		50-90983A1	<b>2-2163-2</b>	5724
15ELH 4-Stroke	19.7ci - 15 H.P.	08-99	Retaining Ring Design	UT		50-852570T	<b>2-2788-UT-2</b>	5763
		98	All	UT		50-852570	<b>2-2788-UT-2</b>	5763
		84-80	All	UT		50-90983A1	<b>2-2163-2</b>	5724
18E	24.4ci - 18 H.P.	84-80	All	UT		50-90983A1	<b>2-2163-2</b>	5724
18EL	24.4ci - 18 H.P.	84-80	All	UT		50-90983A1	<b>2-2163-2</b>	5724
20E	24.4ci - 20 H.P.	88-84	All	UT		50-90983A1	<b>2-2163-2</b>	5724
20EH	24.4ci - 20 H.P.	98-97	All	UT		50-90983A1	<b>2-2163-2</b>	5724
20EL	24.4ci - 20 H.P.	98-84	All	UT		50-90983A1	<b>2-2163-2</b>	5724
25E	24.4ci - 25 H.P.	05-99	All	UT		50-90983T1	<b>2-2163-2</b>	5724
		98-80	All	UT		50-90983A1	<b>2-2163-2</b>	5724
25E B/F 4-Stroke	30.4ci - 25 H.P.	05-99	Nut Design	UT		50-859169T	<b>2-2253</b>	5769
			Retaining Ring Design	UT		50-830308T	<b>2-2253</b>	5769
		98	All	UT		50-830308-1	<b>2-2253</b>	5769
25EH	24.4ci - 25 H.P.	05-99	All	UT		50-90983T1	<b>2-2163-2</b>	5724
		98-85	All	UT		50-90983A1	<b>2-2163-2</b>	5724
25EH B/F 4-Stroke	30.4ci - 25 H.P.	04-99	Nut Design	UT		50-859169T	<b>2-2253</b>	5769
			Retaining Ring Design	UT		50-830308T	<b>2-2253</b>	5769
		98	All	UT		50-830308-1	<b>2-2253</b>	5769
25EL	24.4ci - 25 H.P.	05-99	All	UT		50-90983T1	<b>2-2163-2</b>	5724
		98-80	All	UT		50-90983A1	<b>2-2163-2</b>	5724
		05-99	Nut Design	UT		50-859169T	<b>2-2253</b>	5769
			Retaining Ring Design	UT		50-830308T	<b>2-2253</b>	5769
		98	All	UT		50-830308-1	<b>2-2253</b>	5769
25ELH	24.4ci - 25 H.P.	05-99	All	UT		50-90983T1	<b>2-2163-2</b>	5724
		98-85	All	UT		50-90983A1	<b>2-2163-2</b>	5724
		05-99	Nut Design	UT		50-859169T	<b>2-2253</b>	5769
			Retaining Ring Design	UT		50-830308T	<b>2-2253</b>	5769
		98	All	UT		50-830308-1	<b>2-2253</b>	5769
25ELPT B/F 4-Stroke	30.4ci - 25 H.P.	05-99	Nut Design	UT		50-859169T	<b>2-2253</b>	5769
			Retaining Ring Design	UT		50-830308T	<b>2-2253</b>	5769
		98	All	UT		50-830308-1	<b>2-2253</b>	5769

♦ See Buyer's Guide for Optional Units

Model	Engine	Year	Option	Mfg KW	OEM #	PART NO.	REF.
<b>MERCURY - continued</b>							
<b>Engines - Marine Outboard - continued</b>							
30E 4-Stroke	45.6ci - 30 H.P.	01-99	Nut Design	UT	50-859170T	2-2252	5764
			Retaining Ring Design	UT	50-854636T	2-2252	5764
30E EFI 4-Stroke	30 H.P. - 3cyl	05-02	All	UT	50-884045T	2-2252	5764
30EHO	39.3ci - 30 H.P.	02-00	All	UT	50-822462-1	2-2251	5726
		99-98	Match OE #50-822462	UT	50-822462	2-2251	5726
			Match OE #50-822462-1	UT	50-822462-1	2-2251	5726
		97-95		UT	50-822462	2-2251	5726
30EL 4-Stroke	45.6ci - 30 H.P.	01-99	Nut Design	UT	50-859170T	2-2252	5764
			Retaining Ring Design	UT	50-854636T	2-2252	5764
30EL EFI 4-Stroke	30 H.P. - 3cyl	09-02	All	UT	50-884045T	2-2252	5764
30ELH 4-Stroke	45.6ci - 30 H.P.	01-99	Nut Design	UT	50-859170T	2-2252	5764
			Retaining Ring Design	UT	50-854636T	2-2252	5764
30ELH EFI 4-Stroke	30 H.P. - 3cyl	09-02	All	UT	50-884045T	2-2252	5764
30ELHPT EFI 4-Stroke	30 H.P. - 3cyl	09-06	All	UT	50-884045T	2-2252	5764
30ELHO	39.3ci - 30 H.P.	02-00	All	UT	50-822462-1	2-2251	5726
		99-98	Match OE #50-822462	UT	50-822462	2-2251	5726
			Match OE #50-822462-1	UT	50-822462-1	2-2251	5726
		97-95		UT	50-822462	2-2251	5726
30ELO	30.3ci - 30 H.P.	90-87	All	HI	50-97693M	2-2309-HI	18310
	39.3ci - 30 H.P.	02-00	All	UT	50-822462-1	2-2251	5726
		99-98	Match OE #50-822462	UT	50-822462	2-2251	5726
			Match OE #50-822462-1	UT	50-822462-1	2-2251	5726
		97-94		UT	50-822462	2-2251	5726
30ELPT 4-Stroke	45.6ci - 30 H.P.	01-99	Nut Design	UT	50-859170T	2-2252	5764
			Retaining Ring Design	UT	50-854636T	2-2252	5764
30ELPT EFI 4-Stroke	30 H.P. - 3cyl	09-02	All	UT	50-884045T	2-2252	5764
30ELPTO	39.3ci - 30 H.P.	01-00	All	UT	50-822462-1	2-2251	5726
		99-98	Match OE #50-822462	UT	50-822462	2-2251	5726
			Match OE #50-822462-1	UT	50-822462-1	2-2251	5726
		97-95		UT	50-822462	2-2251	5726
30EO	30.3ci - 30 H.P.	90-87	All	HI	50-97693M	2-2309-HI	18310
	39.3ci - 30 H.P.	02-00	All	UT	50-822462-1	2-2251	5726
		99-98	Match OE #50-822462	UT	50-822462	2-2251	5726
			Match OE #50-822462-1	UT	50-822462-1	2-2251	5726
		97-94		UT	50-822462	2-2251	5726
35HP	35 H.P.	69-66	All	UT	50-38890	2-2075-UT	5400
		65	All	UT	50-30829	2-2075-UT	5400
40E	33.3ci - 40 H.P.	83-80	9-Tooth Drive	UT	50-55601A2	2-2075-UT	5400
		79-78	All	UT	50-55601A2	2-2075-UT	5400
40E 4-Stroke	45.6ci - 40 H.P.	01-99	Nut Design	UT	50-859170T	2-2252	5764
			Retaining Ring Design	UT	50-854636T	2-2252	5764
40E EFI 4-Stroke	45.6ci - 40 H.P.	09-02	All	UT	50-884045T	2-2252	5764
40EH	33.3ci - 40 H.P.	83-80	9-Tooth Drive	UT	50-55601A2	2-2075-UT	5400
		79	All	UT	50-55601A2	2-2075-UT	5400
40EL	33.3ci - 40 H.P.	83-80	9-Tooth Drive	UT	50-55601A2	2-2075-UT	5400
		79-78	All	UT	50-55601A2	2-2075-UT	5400
40EL 4-Stroke	45.6ci - 40 H.P.	01-99	Nut Design	UT	50-859170T	2-2252	5764
			Retaining Ring Design	UT	50-854636T	2-2252	5764
40EL EFI 4-Stroke	45.6ci - 40 H.P.	09-02	All	UT	50-884045T	2-2252	5764
40ELH	33.3ci - 40 H.P.	83-80	9-Tooth Drive	UT	50-55601A2	2-2075-UT	5400
		79	All	UT	50-55601A2	2-2075-UT	5400
40ELH 4-Stroke	45.6ci - 40 H.P.	01-00	Nut Design	UT	50-859170T	2-2252	5764
			Retaining Ring Design	UT	50-854636T	2-2252	5764
40ELH EFI 4-Stroke	45.6ci - 40 H.P.	09-02	All	UT	50-884045T	2-2252	5764
40ELHPT 4-Stroke	45.6ci - 40 H.P.	01-99	Nut Design	UT	50-859170T	2-2252	5764
			Retaining Ring Design	UT	50-854636T	2-2252	5764
40ELHPT EFI 4-Stroke	45.6ci - 40 H.P.	09-02	All	UT	50-884045T	2-2252	5764
40ELHPTO	43.9ci - 40 H.P.	97	Model 7040xxx	UT	50-73521	2-2158	5399
			Model 7043xxx	UT	50-822462	2-2251	5726

◆ See Buyer's Guide for Optional Units

# STARTERS

Model	Engine	Year	Option	Mfg	KW	OEM #	PART NO.	REF.	
<b>MERCURY - continued</b>									
<b>Engines - Marine Outboard - continued</b>									
40ELHPTO	43.9ci - 40 H.P.	96-89	All	UT		50-73521	<b>2-2158</b>	5399	
		05-00	All	UT		50-822462-1	<b>2-2251</b>	5726	
	59.0ci - 40 H.P.	99	Model 7043xxx	UT		50-822462-1	<b>2-2251</b>	5726	
		98	Model 7043xxx	UT		50-822462	<b>2-2251</b>	5726	
40ELO	43.9ci - 40 H.P.	97	Model 7040xxx	UT		50-73521	<b>2-2158</b>	5399	
			Model 7041xxx	UT		50-822462	<b>2-2251</b>	5726	
			Model 7043xxx	UT		50-822462	<b>2-2251</b>	5726	
		96-89	All	UT		50-73521	<b>2-2158</b>	5399	
	59.0ci - 40 H.P.	04-00	All	UT		50-822462-1	<b>2-2251</b>	5726	
			99	Model 7041xxxx OE #50-822462	UT		50-822462	<b>2-2251</b>	5726
			Model 7041xxxx OE #50-822462-1	UT		50-822462-1	<b>2-2251</b>	5726	
		98	Model 7043xxxx OE #50-822462-1	UT		50-822462-1	<b>2-2251</b>	5726	
			Model 7041xxx	UT		50-822462	<b>2-2251</b>	5726	
			Model 7043xxx	UT		50-822462	<b>2-2251</b>	5726	
40ELPT 4-Stroke	45.6ci - 40 H.P.	01-99	Nut Design	UT		50-859170T	<b>2-2252</b>	5764	
			Retaining Ring Design	UT		50-854636T	<b>2-2252</b>	5764	
		98	All	UT		50-822462	<b>2-2251</b>	5726	
40ELPT EFI 4-Stroke	45.6ci - 40 H.P.	09-02	All	UT		50-884045T	<b>2-2252</b>	5764	
40ELPT B/F 4-Stroke	57.0ci - 40 H.P.	01	4cyl Engine	UT		50-884044T	<b>2-2797-2</b>	5901	
	45.6ci - 40 H.P.	00-99	Nut Design	UT		50-859170T	<b>2-2252</b>	5764	
Retaining Ring Design			UT		50-854636T	<b>2-2252</b>	5764		
40ELPT EFI B/F 4-Stroke	57.0ci - 40 H.P.	09-02	4cyl Engine	UT		50-884044T	<b>2-2797-2</b>	5901	
40ELPTO	43.9ci - 40 H.P.	97	Model 7040xxx	UT		50-73521	<b>2-2158</b>	5399	
			Model 7041xxx	UT		50-822462	<b>2-2251</b>	5726	
			Model 7043xxx	UT		50-822462	<b>2-2251</b>	5726	
		96-89	All	UT		50-73521	<b>2-2158</b>	5399	
	59.0ci - 40 H.P.	05-00	All	UT		50-822462-1	<b>2-2251</b>	5726	
			99	Model 7041xxxx OE #50-822462	UT		50-822462	<b>2-2251</b>	5726
			Model 7041xxxx OE #50-822462-1	UT		50-822462-1	<b>2-2251</b>	5726	
		98	Model 7043xxxx OE #50-822462-1	UT		50-822462-1	<b>2-2251</b>	5726	
			Model 7041xxx	UT		50-822462	<b>2-2251</b>	5726	
			Model 7043xxx	UT		50-822462	<b>2-2251</b>	5726	
40EO	43.9ci - 40 H.P.	97	Model 7040xxx	UT		50-73521	<b>2-2158</b>	5399	
			Model 7041xxx	UT		50-822462	<b>2-2251</b>	5726	
			Model 7043xxx	UT		50-822462	<b>2-2251</b>	5726	
		96-92	All	UT		50-73521	<b>2-2158</b>	5399	
	59.0ci - 40 H.P.	05-00	All	UT		50-822462-1	<b>2-2251</b>	5726	
			99	Model 7041xxxx OE #50-822462	UT		50-822462	<b>2-2251</b>	5726
			Model 7041xxxx OE #50-822462-1	UT		50-822462-1	<b>2-2251</b>	5726	
		98	Model 7043xxxx OE #50-822462-1	UT		50-822462-1	<b>2-2251</b>	5726	
			Model 7041xxx	UT		50-822462	<b>2-2251</b>	5726	
			Model 7043xxx	UT		50-822462	<b>2-2251</b>	5726	
40EO Jet 30	43.9ci - 40 H.P.	97	Model 7040xxx	UT		50-73521	<b>2-2158</b>	5399	
			Model 7043xxx	UT		50-822462	<b>2-2251</b>	5726	
		96-94	All	UT		50-73521	<b>2-2158</b>	5399	
	59.0ci - 40 H.P.	04-00	All	UT		50-822462-1	<b>2-2251</b>	5726	
		99	Model 7043xxx	UT		50-822462-1	<b>2-2251</b>	5726	
		98	Model 7043xxx	UT		50-822462	<b>2-2251</b>	5726	
40HP	33.3ci - 40 H.P.	77-70	All	UT		50-55801A	<b>2-2075-UT</b>	5400	
45ELHO	43.9ci - 45 H.P.	88-86	All	UT		50-73521	<b>2-2158</b>	5399	
45ELHPTO	43.9ci - 45 H.P.	88	All	UT		50-73521	<b>2-2158</b>	5399	
45ELO	43.9ci - 45 H.P.	89-86	All	UT		50-73521	<b>2-2158</b>	5399	
45ELPTO	43.9ci - 45 H.P.	89-86	All	UT		50-73521	<b>2-2158</b>	5399	
50E	43.9ci - 50 H.P.	84-78	All	UT		50-73521	<b>2-2158</b>	5399	
50EH	43.9ci - 50 H.P.	84-79	All	UT		50-73521	<b>2-2158</b>	5399	
50EL	43.9ci - 50 H.P.	85-78	All	UT		50-73521	<b>2-2158</b>	5399	
50ELH	43.9ci - 50 H.P.	85-79	All	UT		50-73521	<b>2-2158</b>	5399	
50ELHPT 4-Stroke	57.0ci - 50 H.P.	01	All	UT		50-884044T	<b>2-2797-2</b>	5901	
50ELHPT EFI 4-Stroke	57.0ci - 50 H.P.	09-02	All	UT		50-884044T	<b>2-2797-2</b>	5901	

♦ See Buyer's Guide for Optional Units

Model	Engine	Year	Option	Mfg KW	OEM #	PART NO.	REF.
<b>MERCURY - continued</b>							
<b>Engines - Marine Outboard - continued</b>							
50ELHPTO	51.8ci - 50 H.P.	97-92	All	UT	50-44369A1	2-2911-UT	5401
	59.0ci - 50 H.P.	05-99	All	UT	50-822462-1	2-2251	5726
		98	All	UT	50-822462	2-2251	5726
50ELO	49.8ci - 50 H.P.	90-88	All	UT	50-44369A1	2-2911-UT	5401
		87-86	Match OE #4820140M030SM	UT	50-65436	2-2076-UT	5708
			Match OE #4820340M030SM	UT	50-44369A1	2-2911-UT	5401
	51.8ci - 50 H.P.	97-91	All	UT	50-44369A1	2-2911-UT	5401
	59.0ci - 50 H.P.	02-99	All	UT	50-822462-1	2-2251	5726
		98	All	UT	50-822462	2-2251	5726
50ELPT	43.9ci - 50 H.P.	85-80	All	UT	50-73521	2-2158	5399
50ELPT 4-Stroke	57.0ci - 50 H.P.	01	All	UT	50-884044T	2-2797-2	5901
50ELPT EFI 4-Stroke	57.0ci - 50 H.P.	09-02	All	UT	50-884044T	2-2797-2	5901
50ELPT B/F 4-Stroke	57.0ci - 50 H.P.	01	All	UT	50-884044T	2-2797-2	5901
50ELPT B/F EFI 4-Stroke	57.0ci - 50 H.P.	09-02	All	UT	50-884044T	2-2797-2	5901
50ELPTO	49.8ci - 50 H.P.	90-88	All	UT	50-44369A1	2-2911-UT	5401
		87-86	Match OE #4820140M030SM	UT	50-65436	2-2076-UT	5708
			Match OE #4820340M030SM	UT	50-44369A1	2-2911-UT	5401
	51.8ci - 50 H.P.	97-91	All	UT	50-44369A1	2-2911-UT	5401
	59.0ci - 50 H.P.	09-99	All	UT	50-822462-1	2-2251	5726
		98	All	UT	50-822462	2-2251	5726
50EO	51.8ci - 50 H.P.	95-92	All	UT	50-44369A1	2-2911-UT	5401
50HP	43.9ci - 50 H.P.	77-76	All	UT	50-73521	2-2158	5399
		75	All	UT	50-55801A	2-2075-UT	5400
		74-71	#3091051-On	UT	50-55801A	2-2075-UT	5400
			To #3091050	UT	50-38890	2-2075-UT	5400
		70-68	All	UT	50-38890	2-2075-UT	5400
		67-66	Delco Unit Used Originally	UT	50-30829	2-2075-UT	5400
			From Serial #01857030	UT	50-38890	2-2075-UT	5400
			To Serial #01857029	UT	50-37345	2-2075-UT	5400
65	All	UT	50-30829	2-2075-UT	5400		
60E	49.8ci - 60 H.P.	84	Match OE #4820140M030SM	UT	50-65436	2-2076-UT	5708
			Match OE #4820340M030SM	UT	50-44369A1	2-2911-UT	5401
		85-84	Match OE #4820140M030SM	UT	50-65436	2-2076-UT	5708
60EL	49.8ci - 60 H.P.	85-84	Match OE #4820140M030SM	UT	50-65436	2-2076-UT	5708
			Match OE #4820340M030SM	UT	50-44369A1	2-2911-UT	5401
		01	All	UT	50-884044T	2-2797-2	5901
60ELHPT 4-Stroke	57.0ci - 60 H.P.	09-02	All	UT	50-884044T	2-2797-2	5901
60ELHPT EFI 4-Stroke	57.0ci - 60 H.P.	09-02	All	UT	50-884044T	2-2797-2	5901
60ELHPTO	51.8ci - 60 H.P.	97-92	All	UT	50-44369A1	2-2911-UT	5401
	59.0ci - 60 H.P.	02-99	All	UT	50-822462T1	2-2251	5726
		98	All	UT	50-822462	2-2251	5726
60ELO	49.8ci - 60 H.P.	90-88	All	UT	50-44369A1	2-2911-UT	5401
		87-86	Match OE #4820140M030SM	UT	50-65436	2-2076-UT	5708
			Match OE #4820340M030SM	UT	50-44369A1	2-2911-UT	5401
	51.8ci - 60 H.P.	97-91	All	UT	50-44369A1	2-2911-UT	5401
	59.0ci - 60 H.P.	02-99	All	UT	50-822462T1	2-2251	5726
		98	All	UT	50-822462	2-2251	5726
60ELPT	49.8ci - 60 H.P.	85-84	Match OE #4820140M030SM	UT	50-65436	2-2076-UT	5708
			Match OE #4820340M030SM	UT	50-44369A1	2-2911-UT	5401
		01	All	UT	50-884044T	2-2797-2	5901
60ELPT 4-Stroke	57.0ci - 60 H.P.	09-02	All	UT	50-884044T	2-2797-2	5901
60ELPT EFI 4-Stroke	57.0ci - 60 H.P.	09-02	All	UT	50-884044T	2-2797-2	5901
60ELPT B/F 4-Stroke	57.0ci - 60 H.P.	01	All	UT	50-884044T	2-2797-2	5901
60ELPT B/F EFI 4-Stroke	57.0ci - 60 H.P.	09-02	All	UT	50-884044T	2-2797-2	5901
60ELPTO	49.8ci - 60 H.P.	90-88	All	UT	50-44369A1	2-2911-UT	5401
		87-86	Match OE #4820140M030SM	UT	50-65436	2-2076-UT	5708
			Match OE #4820340M030SM	UT	50-44369A1	2-2911-UT	5401
	51.8ci - 60 H.P.	97-91	All	UT	50-44369A1	2-2911-UT	5401
	59.0ci - 60 H.P.	05-99	All	UT	50-822462T1	2-2251	5726
		98	All	UT	50-822462	2-2251	5726
60ELPTO Big Foot	51.8ci - 60 H.P.	97-95	All	UT	50-44369A1	2-2911-UT	5401
	59.0ci - 60 H.P.	05-99	All	UT	50-822462T1	2-2251	5726

◆ See Buyer's Guide for Optional Units



# STARTERS

Model	Engine	Year	Option	Mfg	KW	OEM #	PART NO.	REF.
<b>MERCURY - continued</b>								
<b>Engines - Marine Outboard - continued</b>								
60ELPTO Big Foot	59.0ci - 60 H.P.	98	All	UT		50-822462	<b>2-2251</b>	5726
60EO	51.8ci - 60 H.P. 59.0ci - 60 H.P.	97-92	All	UT		50-44369A1	<b>2-2911-UT</b>	5401
		02-99	All	UT		50-822462T1	<b>2-2251</b>	5726
		98	All	UT		50-822462	<b>2-2251</b>	5726
60EO Jet 45	51.8ci - 60 H.P. 59.0ci - 60 H.P.	97-94	All	UT		50-44369A1	<b>2-2911-UT</b>	5401
		05-99	All	UT		50-822462T1	<b>2-2251</b>	5726
		98	All	UT		50-822462	<b>2-2251</b>	5726
60EXLPT B/F EFI 4-Stroke	57.0ci - 60 H.P.	09	All	UT		50-893888T	<b>2-2797-2</b>	5901
65HP	65 H.P.	76	All	UT		50-65436	<b>2-2076-UT</b>	5708
		75-73	#3660088-On	UT		50-65436	<b>2-2076-UT</b>	5708
		71-70	#2803562-2803821	UT		50-45822	<b>2-2157</b>	5296
			#2803822-2997338	UT		50-57867	<b>2-2077-UT</b>	5735
		69-67	All	UT		50-45822	<b>2-2157</b>	5296
		66	All	UT		50-37274	<b>2-2157</b>	5733
			All	UT		50-45822	<b>2-2157</b>	5296
		65	All	UT		50-37274	<b>2-2157</b>	5733
70E	49.8ci - 70 H.P.	83-80	United Tech System	UT		50-65436	<b>2-2076-UT</b>	5708
		79-78	United Tech System	UT		50-65436	<b>2-2076-UT</b>	5708
70EL	49.8ci - 70 H.P.	83-80	United Tech System	UT		50-65436	<b>2-2076-UT</b>	5708
		79-78	United Tech System	UT		50-65436	<b>2-2076-UT</b>	5708
70ELPT	49.8ci - 70 H.P. 71.1ci - 70 H.P.	83-80	United Tech System	UT		50-65436	<b>2-2076-UT</b>	5708
		89-87	United Tech System	UT		50-66015	<b>2-2076-UT</b>	5708
70ELPTO	71.1ci - 70 H.P.	89-87	United Tech System	UT		50-66015	<b>2-2076-UT</b>	5708
70HP	49.8ci - 70 H.P.	77	United Tech System	UT		50-65436	<b>2-2076-UT</b>	5708
75EL	66.6ci - 75 H.P.	85-84	United Tech System	UT		50-66015	<b>2-2076-UT</b>	5708
75ELH	84.6ci - 75 H.P.	00	All	UT		50-66015T1	<b>2-2413-UT-2</b>	5736
75ELHPT 4-Stroke	84.6ci - 75 H.P.	01-00	Hitachi System	HI		50-804312T1	<b>2-2451-HI-2</b>	18347
75ELHPTO	71.1ci - 75 H.P. 84.6ci - 75 H.P.	93-89	United Tech System	UT		50-66015	<b>2-2076-UT</b>	5708
		02-00	All	UT		50-66015T1	<b>2-2413-UT-2</b>	5736
		99	Match OE #50-66015	UT		50-66015	<b>2-2076-UT</b>	5708
			Match OE #50-66015T-1	UT		50-66015T1	<b>2-2413-UT-2</b>	5736
98-94	United Tech System	UT		50-66015	<b>2-2076-UT</b>	5708		
75ELO	66.6ci - 75 H.P. 71.1ci - 75 H.P.	86	United Tech System	UT		50-66015	<b>2-2076-UT</b>	5708
		91-87	United Tech System	UT		50-66015	<b>2-2076-UT</b>	5708
75ELPT	66.6ci - 75 H.P.	85-84	United Tech System	UT		50-66015	<b>2-2076-UT</b>	5708
75ELPT Optimax	1.5L - 92.9ci - 75 H.P. DFI	09-05	All	DR		50-892339T	<b>2-2580-DR</b>	6794
75ELPT 4-Stroke	84.6ci - 75 H.P.	05-00	Hitachi System	HI		50-804312T1	<b>2-2451-HI-2</b>	18347
75ELPT EFI 4-Stroke	1.7L - 105ci - 75 H.P.	09-06	S/N 1B172291 - 1B366822	HI		50-881368T	<b>2-2739-HI-2</b>	18349
75ELPTO	66.6ci - 75 H.P. 71.1ci - 75 H.P. 84.6ci - 75 H.P.	86	United Tech System	UT		50-66015	<b>2-2076-UT</b>	5708
		93-87	United Tech System	UT		50-66015	<b>2-2076-UT</b>	5708
		04-00	All	UT		50-66015T1	<b>2-2413-UT-2</b>	5736
			99	Match OE #50-66015	UT		50-66015	<b>2-2076-UT</b>
	Match OE #50-66015T-1	UT		50-66015T1	<b>2-2413-UT-2</b>	5736		
98-94	United Tech System	UT		50-66015	<b>2-2076-UT</b>	5708		
80E	66.6ci - 80 H.P.	82-78	United Tech System	UT		50-66015	<b>2-2076-UT</b>	5708
80EL	66.6ci - 80 H.P.	83-78	United Tech System	UT		50-66015	<b>2-2076-UT</b>	5708
80ELO	71.1ci - 80 H.P.	89-87	United Tech System	UT		50-66015	<b>2-2076-UT</b>	5708
80ELPT	66.6ci - 80 H.P.	83-79	United Tech System	UT		50-66015	<b>2-2076-UT</b>	5708
80ELPTO	71.1ci - 80 H.P.	89-87	United Tech System	UT		50-66015	<b>2-2076-UT</b>	5708
80HP	80 H.P.	72-69	#02783253-02886331	UT		50-57867	<b>2-2077-UT</b>	5735
			To #02670574	UT		50-45822	<b>2-2157</b>	5296
85HP	85 H.P.	77-76	All	UT		50-66015	<b>2-2076-UT</b>	5708
		75-73	Serial Group #2	UT		50-67341	<b>2-2157</b>	5733
90 Sport Jet	1.2L - 75.1ci - 90 H.P.	95-93	Powerhead & Jet Drive	UT		50-819968-1	<b>2-2156</b>	5734
90EL	1.6L - 99.8ci - 90 H.P.	85-78	United Tech System	UT		50-72467	<b>2-2077-UT</b>	5735
90ELHPT 4-Stroke	1.6L - 97.4ci - 90 H.P.	01-00	Hitachi System	HI		50-804312T1	<b>2-2451-HI-2</b>	18347
90ELHPTO	1.2L - 71.1ci - 90 H.P. 1.4L - 84.6ci - 90 H.P.	93-91	United Tech System	UT		50-66015	<b>2-2076-UT</b>	5708
		02-00	All	UT		50-66015T1	<b>2-2413-UT-2</b>	5736

♦ See Buyer's Guide for Optional Units

Model	Engine	Year	Option	Mfg KW	OEM #	PART NO.	REF.
<b>MERCURY - continued</b>							
<b>Engines - Marine Outboard - continued</b>							
90ELHPTO	1.4L - 84.6ci - 90 H.P.	99	Match OE #50-66015	UT	50-66015	2-2076-UT	5708
			Match OE #50-66015T-1	UT	50-66015T1	2-2413-UT-2	5736
		98-94	United Tech System	UT	50-66015	2-2076-UT	5708
90ELO	1.2L - 71.1ci - 90 H.P.	88-87	United Tech System	UT	50-66015	2-2076-UT	5708
	1.6L - 99.8ci - 90 H.P.	86	United Tech System	UT	50-72467	2-2077-UT	5735
90ELPT	1.6L - 99.8ci - 90 H.P.	85-78	United Tech System	UT	50-72467	2-2077-UT	5735
90ELPT Optimax	1.5L - 92.9ci - 90 H.P. DFI	09-06	All	DR	50-892339T	2-2580-DR	6794
90ELPT 4-Stroke	1.6L - 97.4ci - 90 H.P.	05-00	Hitachi System	HI	50-804312T1	2-2451-HI-2	18347
90ELPT EFI 4-Stroke	1.7L - 105ci - 90 H.P.	09-06	S/N 1B172291 - 1B366822	HI	50-881368T2	2-2739-HI-2	18349
90ELPT Saltwater 4-Stroke	1.6L - 97.4ci - 90 H.P.	05-04	Hitachi System	HI	50-804312T1	2-2451-HI-2	18347
90ELPTO	1.2L - 71.1ci - 90 H.P.	93-87	United Tech System	UT	50-66015	2-2076-UT	5708
		09-00	All	UT	50-66015T1	2-2413-UT-2	5736
	99	Match OE #50-66015	UT	50-66015	2-2076-UT	5708	
		Match OE #50-66015T-1	UT	50-66015T1	2-2413-UT-2	5736	
	98-94	United Tech System	UT	50-66015	2-2076-UT	5708	
1.6L - 99.8ci - 90 H.P.	86	United Tech System	UT	50-72467	2-2077-UT	5735	
90ELPTO Coastal	1.4L - 84.6ci - 90 H.P.	99	Match OE #50-66015	UT	50-66015	2-2076-UT	5708
			Match OE #50-66015T-1	UT	50-66015T1	2-2413-UT-2	5736
90ELPTO Saltwater	1.4L - 84.6ci - 90 H.P.	05-00	All	UT	50-66015T1	2-2413-UT-2	5736
90ELPTO Jet 65	1.4L - 84.6ci - 90 H.P.	06-00	All	UT	50-66015T1	2-2413-UT-2	5736
		99	Match OE #50-66015	UT	50-66015	2-2076-UT	5708
			Match OE #50-66015T-1	UT	50-66015T1	2-2413-UT-2	5736
98-94	United Tech System	UT	50-66015	2-2076-UT	5708		
90ELXPT EFI 4-Stroke	1.7L - 105ci - 90 H.P.	09-06	S/N 1B172291 - 1B366822	HI	50-881368T2	2-2739-HI-2	18349
90EXLPT Optimax	1.5L - 92.9ci - 90 H.P. DFI	09-06	All	DR	50-892339T	2-2580-DR	6794
90EXLPT Saltwater 4-Stroke	1.6L - 97.4ci - 90 H.P.	05-01	Hitachi System	HI	50-804312T1	2-2451-HI-2	18347
90EXLPTO Saltwater	1.4L - 84.6ci - 90 H.P.	05-00	All	UT	50-66015T1	2-2413-UT-2	5736
90HP	90 H.P.	65	All	UT	50-37274	2-2157	5733
95HP	95 H.P.	67-66	MC950E	UT	50-37274	2-2157	5733
			MC950E-SS-1	UT	50-45822	2-2157	5296
95XR Sport Jet	1.2L - 75.1ci - 95 H.P.	97-96	Powerhead & Jet Drive	UT	50-819968-1	2-2156	5734
100ELPTO	1.7L - 105ci - 100 H.P.	93-88	United Tech System	UT	50-66015-1	2-2413-UT-2	5736
	1.9L - 113ci - 100 H.P.	00-94	United Tech System	UT	50-66015-3	2-2413-UT-2	5736
100ELXLPTO	1.7L - 105ci - 100 H.P.	89-88	United Tech System	UT	50-66015-1	2-2413-UT-2	5736
100EXLHPTO	1.9L - 113ci - 100 H.P.	00-97	United Tech System	UT	50-66015-3	2-2413-UT-2	5736
100HP	100 H.P.	69	Prestolite System	UT	50-55304A-1	2-2077-UT	5295
		65	All	UT	50-31976	2-2157	5733
110HP	110 H.P.	67-66	MC1100E	UT	50-37274	2-2157	5733
			MC1100E-SS-1	UT	50-45822	2-2157	5296
115EL	1.6L - 99.8ci - 115 H.P.	85-78	United Tech System	UT	50-72467	2-2077-UT	5735
		77-76	United Tech System	UT	50-72467	2-2077-UT	5735
115ELPT	1.6L - 99.8ci - 115 H.P.	85-78	United Tech System	UT	50-72467	2-2077-UT	5735
		77-76	United Tech System	UT	50-72467	2-2077-UT	5735
115ELPT EFI 4-Stroke	1.7L - 105ci - 115 H.P.	09-01	All Exc. S/N 1B366823 & Up	HI	50-881368T1	2-2739-HI-2	18349
115ELPT EFI Saltwater 4-Stroke	1.7L - 105ci - 115 H.P.	05-04	All Exc. S/N 1B366823 & Up	HI	50-881368T1	2-2739-HI-2	18349
115ELPT Optimax	1.5L - 92.9ci - 115 H.P. DFI	09-04	Delco System	DR	50-853329T	2-2580-DR	6794
115ELPT Saltwater Optimax	1.5L - 92.9ci - 115 H.P. DFI	05-04	Delco System	DR	50-853329T	2-2580-DR	6794
115ELPTO	1.6L - 99.8ci - 115 H.P.	88-86	United Tech System	UT	50-72467	2-2077-UT	5735
	1.7L - 105ci - 115 H.P.	93-89	United Tech System	UT	50-66015-1	2-2413-UT-2	5736
	1.9L - 113ci - 115 H.P.	05-94	United Tech System	UT	50-66015-3	2-2413-UT-2	5736
115ELPTO Coastal	1.9L - 113ci - 115 H.P.	01-00	All	UT	50-66015T1	2-2413-UT-2	5736
		99	United Tech System	UT	50-66015-3	2-2413-UT-2	5736
115ELPTO Jet 80	1.9L - 113ci - 115 H.P.	05-94	United Tech System	UT	50-66015-3	2-2413-UT-2	5736
115ELPTO Saltwater	1.9L - 113ci - 115 H.P.	05-00	United Tech System	UT	50-66015-3	2-2413-UT-2	5736
115EXLPT	1.6L - 99.8ci - 115 H.P.	85-78	United Tech System	UT	50-72467	2-2077-UT	5735
115EXLPT EFI 4-Stroke	1.7L - 105ci - 115 H.P.	09-06	All Exc. S/N 1B366823 & Up	HI	50-881368T1	2-2739-HI-2	18349
115EXLPT EFI Saltwater 4-Stroke	1.7L - 105ci - 115 H.P.	05-01	All Exc. S/N 1B366823 & Up	HI	50-881368T1	2-2739-HI-2	18349
115EXLPT Optimax	1.5L - 92.9ci - 115 H.P. DFI	09-04	Delco System	DR	50-853329T	2-2580-DR	6794
115EXLPT Saltwater Optimax	1.5L - 92.9ci - 115 H.P. DFI	05-04	Delco System	DR	50-853329T	2-2580-DR	6794

◆ See Buyer's Guide for Optional Units

# STARTERS

Model	Engine	Year	Option	Mfg	KW	OEM #	PART NO.	REF.
<b>MERCURY - continued</b>								
<b>Engines - Marine Outboard - continued</b>								
115EXLPTO	1.6L - 99.8ci - 115 H.P.	88-86	United Tech System	UT		50-72467	2-2077-UT	5735
	1.7L - 105ci - 115 H.P.	93-89	United Tech System	UT		50-66015-1	2-2413-UT-2	5736
115EXLPTO Saltwater	1.9L - 113ci - 115 H.P.	05-94	United Tech System	UT		50-66015-3	2-2413-UT-2	5736
115HP	115 H.P.	74-73	United Tech System	UT		50-72467	2-2077-UT	5735
120 Sport Jet	1.7L - 103ci - 120 H.P.	95	Powerhead & Jet Drive	UT		50-819968-1	2-2156	5734
120XR Sport Jet	1.7L - 103ci - 120 H.P.	98-96	Powerhead & Jet Drive	UT		50-819968-1	2-2156	5734
120XR2 Sport Jet	1.7L - 103ci - 120 H.P.	00-99	Powerhead & Jet Drive	UT		50-819968-4	2-2156	5734
125ELPTO	1.9L - 113ci - 125 H.P.	04-94	United Tech System	UT		50-66015-3	2-2413-UT-2	5736
125ELPTO Saltwater	1.9L - 113ci - 125 H.P.	04-02	United Tech System	UT		50-66015-3	2-2413-UT-2	5736
125EXLPTO	1.9L - 113ci - 125 H.P.	01-94	United Tech System	UT		50-66015-3	2-2413-UT-2	5736
125EXLPTO Saltwater	1.9L - 113ci - 125 H.P.	04-02	United Tech System	UT		50-66015-3	2-2413-UT-2	5736
125HP	125 H.P.	69-68	All	UT		50-48643	2-2157	5733
135CXL	2.0L - 121.9ci - 135 H.P.	00-90	United Tech System	UT		50-79472	2-2081-UT	5389
135CXL Optimax	2.5L - 153.0ci - 135 H.P.	09-06	All	DR		50-853329T	2-2580-DR	6794
		05-01	S/N OT178500 - Up	DR		50-853329T	2-2580-DR	6794
		99-98	S/N OG590000 - OG960999	UT		50-833153-2	2-2254	5772
135CXL Verado 4-Stroke	1.7L - 105.7 - 135 H.P.	09-06	All	DR		50-853329T	2-2580-DR	6794
135ELPTO Marathon	2.0L - 121.9ci - 135 H.P.	88-86	United Tech System	UT		50-79472	2-2081-UT	5389
135EXLPTO Marathon	2.0L - 121.9ci - 135 H.P.	88-86	United Tech System	UT		50-79472	2-2081-UT	5389
135L	2.0L - 121.9ci - 135 H.P.	00-89	United Tech System	UT		50-79472	2-2081-UT	5389
135L Optimax	2.5L - 153.0ci - 135 H.P.	09-06	All	DR		50-853329T	2-2580-DR	6794
		05-01	S/N OT178500 - Up	DR		50-853329T	2-2580-DR	6794
		99-98	S/N OG590000 - OG960999	UT		50-833153-2	2-2254	5772
135L Verado 4-Stroke	1.7L - 105.7 - 135 H.P.	09-06	All	DR		50-853329T	2-2580-DR	6794
135XL	2.0L - 121.9ci - 135 H.P.	00-89	United Tech System	UT		50-79472	2-2081-UT	5389
135XL Optimax	2.5L - 153.0ci - 135 H.P.	09-06	All	DR		50-853329T	2-2580-DR	6794
		05-01	S/N OT178500 - Up	DR		50-853329T	2-2580-DR	6794
		99-98	S/N OG590000 - OG960499	UT		50-833153-2	2-2254	5772
135XL Verado 4-Stroke	1.7L - 105.7 - 135 H.P.	09-06	All	DR		50-853329T	2-2580-DR	6794
140EL	1.6L - 99.8ci - 140 H.P.	81-78	United Tech System	UT		50-72467	2-2077-UT	5735
140ELPT	1.6L - 99.8ci - 140 H.P.	81-78	United Tech System	UT		50-72467	2-2077-UT	5735
150 EFI	2.5L - 153.0ci - 150 H.P.	09-06	All	DR		50-853329T	2-2580-DR	6794
150CXL	2.0L - 121.9ci - 150 H.P.	99-89	United Tech System	UT		50-79472	2-2081-UT	5389
150CXL Optimax	2.5L - 153.0ci - 150 H.P.	09-06	All	DR		50-853329T	2-2580-DR	6794
		05-00	S/N OT178500 - Up	DR		50-853329T	2-2580-DR	6794
		99-98	S/N OG590000 - OG960499	UT		50-833153-2	2-2254	5772
150CXL EFI	2.5L - 153.0ci - 150 H.P.	00-95	United Tech System	UT		50-79472	2-2081-UT	5389
150CXL EFI Saltwater	2.5L - 153.0ci - 150 H.P.	05-99	United Tech System	UT		50-79472	2-2081-UT	5389
150CXL Saltwater	2.5L - 153.0ci - 150 H.P.	05-99	United Tech System	UT		50-79472-1	2-2081-UT	5389
150CXL Verado 4-Stroke	1.7L - 105.7 - 150 H.P.	09-06	All	DR		50-853329T	2-2580-DR	6794
150EL	2.0L - 121.9ci - 150 H.P.	77-74	United Tech System	UT		50-72467	2-2077-UT	5735
150ELPT	2.0L - 121.9ci - 150 H.P.	85-78	Match OE #1065221M030SM	UT		50-72467	2-2077-UT	5735
			Match OE #1491624M030SM	UT		50-77141	2-2081-UT	5388
			Match OE #1718328M030SM	UT		50-79472	2-2081-UT	5389
		77-76	United Tech System	UT		50-72467	2-2077-UT	5735
150ELPTO	2.0L - 121.9ci - 150 H.P.	88-86	United Tech System	UT		50-79472	2-2081-UT	5389
150ELPTO XR2	2.0L - 121.9ci - 150 H.P.	87-86	United Tech System	UT		50-79472	2-2081-UT	5389
		85-84	Match OE #1065221M030SM	UT		50-72467	2-2077-UT	5735
			Match OE #1491624M030SM	UT		50-77141	2-2081-UT	5388
Match OE #1718328M030SM	UT		50-79472	2-2081-UT	5389			
150ELPTO XR4	2.3L - 142.2ci - 150 H.P.	91-88	United Tech System	UT		50-79472	2-2081-UT	5389
150ELXPTO	2.0L - 121.9ci - 150 H.P.	88-86	United Tech System	UT		50-79472	2-2081-UT	5389
		85-84	Match OE #1065221M030SM	UT		50-72467	2-2077-UT	5735
			Match OE #1491624M030SM	UT		50-77141	2-2081-UT	5388
Match OE #1718328M030SM	UT		50-79472	2-2081-UT	5389			
150EXLPT	2.0L - 121.9ci - 150 H.P.	85-78	Match OE #1065221M030SM	UT		50-72467	2-2077-UT	5735
			Match OE #1491624M030SM	UT		50-77141	2-2081-UT	5388
			Match OE #1718328M030SM	UT		50-79472	2-2081-UT	5389
150HP	150 H.P.	77-73	United Tech System	UT		50-72467	2-2077-UT	5735

Model	Engine	Year	Option	Mfg KW	OEM #	PART NO.	REF.
<b>MERCURY - continued</b>							
<b>Engines - Marine Outboard - continued</b>							
150L	2.0L - 121.9ci - 150 H.P.	05-89	United Tech System	UT	50-79472	2-2081-UT	5389
150L Optimax	2.5L - 153.0ci - 150 H.P.	09-06	All	DR	50-853329T	2-2580-DR	6794
		05-00	S/N OT178500 - Up	DR	50-853329T	2-2580-DR	6794
		99-98	S/N OG590000 - OG960499	UT	50-833153-2	2-2254	5772
150L EFI	2.5L - 153.0ci - 150 H.P.	05-96	United Tech System	UT	50-79472	2-2081-UT	5389
150L EFI Saltwater	2.5L - 153.0ci - 150 H.P.	05-99	United Tech System	UT	50-79472	2-2081-UT	5389
150L Jet 105	2.0L - 121.9ci - 150 H.P.	98-95	United Tech System	UT	50-79472	2-2081-UT	5389
150L Pro Max		98	United Tech System	UT	50-79472	2-2081-UT	5389
150L Verado 4-Stroke	1.7L - 105.7 - 150 H.P.	09-06	All	DR	50-853329T	2-2580-DR	6794
150L XR6	2.5L - 153.0ci - 150 H.P.	05-99	United Tech System	UT	50-79472-1	2-2081-UT	5389
150SS Pro Max		98	United Tech System	UT	50-79472	2-2081-UT	5389
150XL	2.0L - 121.9ci - 150 H.P.	98-89	United Tech System	UT	50-79472	2-2081-UT	5389
150XL EFI	2.5L - 153.0ci - 150 H.P.	09-06	All	DR	50-853329T	2-2580-DR	6794
		00-95	United Tech System	UT	50-79472	2-2081-UT	5389
150XL EFI Saltwater	2.5L - 153.0ci - 150 H.P.	05-99	United Tech System	UT	50-79472	2-2081-UT	5389
150XL Optimax	2.5L - 153.0ci - 150 H.P.	09-06	All	DR	50-853329T	2-2580-DR	6794
		05-00	S/N OT178500 - Up	DR	50-853329T	2-2580-DR	6794
		99-98	S/N OG590000 - OG960499	UT	50-833153-2	2-2254	5772
150XL Saltwater	2.5L - 153.0ci - 150 H.P.	05-99	United Tech System	UT	50-79472-1	2-2081-UT	5389
150XL Verado 4-Stroke	1.7L - 105.7 - 150 H.P.	09-06	All	DR	50-853329T	2-2580-DR	6794
150XR6	2.5L - 153.0ci - 150 H.P.	98-92	United Tech System	UT	50-79472	2-2081-UT	5389
150XRI EFI	2.5L - 153.0ci - 150 H.P.	95-93	United Tech System	UT	50-79472	2-2081-UT	5389
175CXL	2.3L - 142.2ci - 175 H.P.	89	United Tech System	UT	50-79472	2-2081-UT	5389
		99-92	United Tech System	UT	50-79472	2-2081-UT	5389
175CXL EFI	2.5L - 153.0ci - 175 H. P.	00	United Tech System	UT	50-79472-1	2-2081-UT	5389
175CXL Optimax	2.5L - 153.0ci - 175 H. P.	09-03	Delco System	DR	50-853329T	2-2580-DR	6794
175ELPT	2.0L - 121.9ci - 175 H.P.	81-76	Match OE #1065221M030SM	UT	50-72467	2-2077-UT	5735
			Match OE #1491624M030SM	UT	50-77141	2-2081-UT	5388
			Match OE #1718328M030SM	UT	50-79472	2-2081-UT	5389
175ELPTO	2.3L - 142.2ci - 175 H.P.	88-85	Match OE #1065221M030SM	UT	50-72467	2-2077-UT	5735
			Match OE #1491624M030SM	UT	50-77141	2-2081-UT	5388
			Match OE #1718328M030SM	UT	50-79472	2-2081-UT	5389
175EXLPT	2.0L - 121.9ci - 175 H.P.	81-78	Match OE #1065221M030SM	UT	50-72467	2-2077-UT	5735
			Match OE #1491624M030SM	UT	50-77141	2-2081-UT	5388
			Match OE #1718328M030SM	UT	50-79472	2-2081-UT	5389
175EXLPTO	2.3L - 142.2ci - 175 H.P.	88-85	Match OE #1065221M030SM	UT	50-72467	2-2077-UT	5735
			Match OE #1491624M030SM	UT	50-77141	2-2081-UT	5388
			Match OE #1718328M030SM	UT	50-79472	2-2081-UT	5389
175L	2.3L - 142.2ci - 175 H.P.	91-89	United Tech System	UT	50-79472	2-2081-UT	5389
	2.5L - 153.0ci - 175 H. P.	99-92	United Tech System	UT	50-79472	2-2081-UT	5389
175L EFI	2.5L - 153.0ci - 175 H. P.	02-99	United Tech System	UT	50-79472-1	2-2081-UT	5389
		98-96	United Tech System	UT	50-79472	2-2081-UT	5389
175L Optimax	2.5L - 153.0ci - 175 H. P.	09-01	Delco System	DR	50-853329T	2-2580-DR	6794
175L Pro XS Optimax	2.5L - 153.0ci - 175 H. P.	09-08	Delco System	DR	50-853329T	2-2580-DR	6794
175L Verado 4-Stroke	1.7L - 105.7 - 175 H.P.	09-06	All	DR	50-853329T	2-2580-DR	6794
175XL	2.3L - 142.2ci - 175 H.P.	91-89	United Tech System	UT	50-79472	2-2081-UT	5389
	2.5L - 153.0ci - 175 H. P.	99-92	United Tech System	UT	50-79472	2-2081-UT	5389
175XL EFI	2.5L - 153.0ci - 175 H. P.	02-99	United Tech System	UT	50-79472-1	2-2081-UT	5389
		98-97	United Tech System	UT	50-79472	2-2081-UT	5389
175XL Optimax	2.5L - 153.0ci - 175 H. P.	09-02	Delco System	DR	50-853329T	2-2580-DR	6794
175XL Pro XS Optimax	2.5L - 153.0ci - 175 H. P.	09-08	Delco System	DR	50-853329T	2-2580-DR	6794
175XL Verado 4-Stroke	1.7L - 105.7 - 175 H.P.	09-06	All	DR	50-853329T	2-2580-DR	6794
175XLI	2.3L - 142.2ci - 175 H.P.	91	United Tech System	UT	50-79472	2-2081-UT	5389
175XR2 Sport Jet	2.5L - 153.0ci - 175 H. P.	01-97	Powerhead & Jet Drive	UT	50-832997-2	2-2755-2	5773
175XRI EFI	2.5L - 153.0ci - 175 H. P.	95-92	United Tech System	UT	50-79472	2-2081-UT	5389
200 Optimax Jet Drive	2.5L - 153.0ci - 210 H.P.	02-01	Powerhead & Pump	DR	50-853329T	2-2580-DR	6794
200CXL	2.3L - 142.2ci - 200 H.P.	90-89	United Tech System	UT	50-79472	2-2081-UT	5389
	2.5L - 153.0ci - 200 H.P.	04-91	United Tech System	UT	50-79472	2-2081-UT	5389

◆ See Buyer's Guide for Optional Units

# STARTERS

Model	Engine	Year	Option	Mfg	KW	OEM #	PART NO.	REF.
<b>MERCURY - continued</b>								
<b>Engines - Marine Outboard - continued</b>								
200CXL EFI	2.5L - 153.0ci - 200 H.P.	05-99	United Tech System	UT		50-79472-1	2-2081-UT	5389
		98-94	United Tech System	UT		50-79472	2-2081-UT	5389
200CXL Optimax	3.0L - 185.0ci - 200 H.P.	09-01	S/N OT178500 - Up	DR		50-853329T	2-2580-DR	6794
		99-98	S/N OG386496 - OG960499	UT		50-833153-5	2-2254	5772
200CXL DTS Optimax	3.0L - 185.0ci - 200 H.P.	09-05	Delco System	DR		50-853329T	2-2580-DR	6794
200CXL Verado 4-Stroke	1.7L - 105.7ci - 200 H.P.	09-08	Delco System	DR		50-853329T	2-2580-DR	6794
	2.6L - 158.5ci - 200 H.P.	09-05	Delco System	DR		50-853329T	2-2580-DR	6794
200CXXL Optimax	3.0L - 185.0ci - 200 H.P.	02-01	S/N OT178500 - Up	DR		50-853329T	2-2580-DR	6794
		99-98	S/N OG386496 - OG960499	UT		50-833153-5	2-2254	5772
200ELPT	2.3L - 142.2ci - 200 H.P.	84-78	8-Tooth Drive	UT		50-79472	2-2081-UT	5389
			9-Tooth Drive	UT		50-86976	2-3146-UT	5398
200ELPTO	2.3L - 142.2ci - 200 H.P.	88-84	8-Tooth Drive	UT		50-79472	2-2081-UT	5389
			9-Tooth Drive	UT		50-86976	2-3146-UT	5398
200ELPTO XRI	2.3L - 142.2ci - 200 H.P.	91-89	United Tech System	UT		50-79472	2-2081-UT	5389
	2.5L - 153.0ci - 200 H.P.	94-92	United Tech System	UT		50-79472	2-2081-UT	5389
200EXLPT	2.3L - 142.2ci - 200 H.P.	84-78	8-Tooth Drive	UT		50-79472	2-2081-UT	5389
			9-Tooth Drive	UT		50-86976	2-3146-UT	5398
200EXLPTO	2.3L - 142.2ci - 200 H.P.	88-84	8-Tooth Drive	UT		50-79472	2-2081-UT	5389
			9-Tooth Drive	UT		50-86976	2-3146-UT	5398
200L	2.3L - 142.2ci - 200 H.P.	90-89	United Tech System	UT		50-79472	2-2081-UT	5389
	2.5L - 153.0ci - 200 H.P.	04-91	United Tech System	UT		50-79472	2-2081-UT	5389
200L EFI	2.5L - 153.0ci - 200 H.P.	05-96	United Tech System	UT		50-79472	2-2081-UT	5389
200L Jet 140	2.5L - 153.0ci - 200 H.P.	00-94	United Tech System	UT		50-79472	2-2081-UT	5389
200L Optimax	3.0L - 185.0ci - 200 H.P.	09-01	S/N OT178500 - Up	DR		50-853329T	2-2580-DR	6794
		99-98	S/N OG386496 - OG960499	UT		50-833153-5	2-2254	5772
200L DTS Optimax	3.0L - 185.0ci - 200 H.P.	09-05	Delco System	DR		50-853329T	2-2580-DR	6794
200L Promax Racing		99-98	United Tech System	UT		50-79472	2-2081-UT	5389
200L Verado 4-Stroke	1.7L - 105.7ci - 200 H.P.	09-08	Delco System	DR		50-853329T	2-2580-DR	6794
	2.6L - 158.5ci - 200 H.P.	09-05	Delco System	DR		50-853329T	2-2580-DR	6794
200SS Promax Racing		99-98	United Tech System	UT		50-79472	2-2081-UT	5389
200XL	2.3L - 142.2ci - 200 H.P.	90-89	United Tech System	UT		50-79472	2-2081-UT	5389
	2.5L - 153.0ci - 200 H.P.	04-91	United Tech System	UT		50-79472	2-2081-UT	5389
200XL EFI	2.5L - 153.0ci - 200 H.P.	05-94	United Tech System	UT		50-79472	2-2081-UT	5389
200XL Optimax	3.0L - 185.0ci - 200 H.P.	09-01	S/N OT178500 - Up	DR		50-853329T	2-2580-DR	6794
		99-98	S/N OG386496 - OG960499	UT		50-833153-5	2-2254	5772
200XL DTS Optimax	3.0L - 185.0ci - 200 H.P.	09-05	Delco System	DR		50-853329T	2-2580-DR	6794
200XL Verado 4-Stroke	1.7L - 105.7ci - 200 H.P.	09-08	Delco System	DR		50-853329T	2-2580-DR	6794
	2.6L - 158.5ci - 200 H.P.	09-05	Delco System	DR		50-853329T	2-2580-DR	6794
200XRI EFI	2.5L - 153.0ci - 200 H.P.	95-94	United Tech System	UT		50-79472	2-2081-UT	5389
200XS Optimax Racing	2.5L - 153.0ci - 200 H.P.	06	Delco System	DR		50-853329T	2-2580-DR	6794
200XS GS Optimax Racing	2.5L - 153.0ci - 200 H.P.	05	Delco System	DR		50-853329T	2-2580-DR	6794
200XSL Optimax Racing	2.5L - 153.0ci - 200 H.P.	05	Delco System	DR		50-853329T	2-2580-DR	6794
		00	Delco System	DR		50-853329T	2-2580-DR	6794
200XS SS Optimax Racing	2.5L - 153.0ci - 200 H.P.	05	Delco System	DR		50-853329T	2-2580-DR	6794
		00	Delco System	DR		50-853329T	2-2580-DR	6794
200XXL Optimax	3.0L - 185.0ci - 200 H.P.	02-01	S/N OT178500 - Up	DR		50-853329T	2-2580-DR	6794
		99-98	S/N OG386496 - OG960499	UT		50-833153-5	2-2254	5772
210 M2 Jet Drive	2.5L - 153.0ci - 210 H.P.	01-00	Powerhead & Pump	UT		50-832997-2	2-2755-2	5773
220ELPTO Laser XRI	2.3L - 142.2ci - 220 H.P.	88-87	8-Tooth Drive	UT		50-79472	2-2081-UT	5389
220EXLPTO Laser XRI	2.3L - 142.2ci - 220 H.P.	88-87	8-Tooth Drive	UT		50-79472	2-2081-UT	5389
225 Pro XS Optimax	3.0L - 185.0ci - 225 H.P.	09-05	Delco System	DR		50-892339T	2-2580-DR	6794
225CL Promax Racing	2.5L - 153.0ci - 225 H.P.	00-98	United Tech System	UT		50-79472	2-2081-UT	5389
225CS Promax Racing	2.5L - 153.0ci - 225 H.P.	00-98	United Tech System	UT		50-79472	2-2081-UT	5389
225CXL	3.0L - 185.0ci - 225 H.P.	99-94	United Tech System	UT		50-818445-3	2-2250	5740
225CXL EFI	3.0L - 185.0ci - 225 H.P.	04-02	S/N OT801000-Up	DR		50-853329T	2-2580-DR	6794
		01	S/N OT467334 - OT800999	DR		50-853329T	2-2580-DR	6794
		00-95	S/N OG129222 - OT408999	UT		50-818445-3	2-2250	5740
225CXL Optimax	3.0L - 185.0ci - 225 H.P.	09-01	S/N OT178500 - Up	DR		50-853329T	2-2580-DR	6794
		99-98	S/N OG386496 - OG960499	UT		50-833153-5	2-2254	5772

♦ See Buyer's Guide for Optional Units

Model	Engine	Year	Option	Mfg	KW	OEM #	PART NO.	REF.
<b>MERCURY - continued</b>								
<b>Engines - Marine Outboard - continued</b>								
225CXL DTS Optimax	3.0L - 185.0ci - 225 H.P.	09-04	S/N OT980000-Up	DR		50-853329T	2-2580-DR	6794
225CXL Seapro	3.0L - 185.0ci - 225 H.P.	98-96	United Tech System	UT		50-818445-3	2-2250	5740
225CXL Verado 4-Stroke	2.6L - 158.5ci - 225 H.P.	09-05	Delco System	DR		50-892339T	2-2580-DR	6794
225CXXL	3.0L - 185.0ci - 225 H.P.	99-94	United Tech System	UT		50-818445-3	2-2250	5740
225CXXL EFI	3.0L - 185.0ci - 225 H.P.	04-02	S/N OT801000-Up	DR		50-853329T	2-2580-DR	6794
		01	S/N OT467334 - OT800999	DR		50-853329T	2-2580-DR	6794
		00-95	S/N OG129222 - OT408999	UT		50-818445-3	2-2250	5740
225CXXL Optimax	3.0L - 185.0ci - 225 H.P.	09-01	S/N OT178500 - Up	DR		50-853329T	2-2580-DR	6794
		99-98	S/N OG386496 - OG960499	UT		50-833153-5	2-2254	5772
225CXXL DTS Optimax	3.0L - 185.0ci - 225 H.P.	09-04	S/N OT980000-Up	DR		50-853329T	2-2580-DR	6794
225CXXL Verado 4-Stroke	2.6L - 158.5ci - 225 H.P.	09-05	Delco System	DR		50-892339T	2-2580-DR	6794
225ELPT	2.3L - 142.2ci - 225 H.P.	81-80	United Tech System	UT		50-86976	2-3146-UT	5398
225EXLPT	2.3L - 142.2ci - 225 H.P.	81-80	United Tech System	UT		50-86976	2-3146-UT	5398
225L	3.0L - 185.0ci - 225 H.P.	99-94	United Tech System	UT		50-818445-3	2-2250	5740
225L EFI	3.0L - 185.0ci - 225 H.P.	04-02	S/N OT801000-Up	DR		50-853329T	2-2580-DR	6794
		01	S/N OT467334 - OT800999	DR		50-853329T	2-2580-DR	6794
		00-96	S/N OG129222 - OT408999	UT		50-818445-3	2-2250	5740
225L Optimax	3.0L - 185.0ci - 225 H.P.	09-01	S/N OT178500 - Up	DR		50-853329T	2-2580-DR	6794
		99-98	S/N OG386496 - OG960499	UT		50-833153-5	2-2254	5772
225L DTS Optimax	3.0L - 185.0ci - 225 H.P.	09-03	S/N OT980000-Up	DR		50-853329T	2-2580-DR	6794
225L Verado 4-Stroke	2.6L - 158.5ci - 225 H.P.	09-05	Delco System	DR		50-892339T	2-2580-DR	6794
225L Promax Racing	2.5L - 153.0ci - 225 H.P.	00-98	United Tech System	UT		50-79472	2-2081-UT	5389
225SS Promax Racing	2.5L - 153.0ci - 225 H.P.	00-98	United Tech System	UT		50-79472	2-2081-UT	5389
225XL	3.0L - 185.0ci - 225 H.P.	99-94	United Tech System	UT		50-818445-3	2-2250	5740
225XL EFI	3.0L - 185.0ci - 225 H.P.	04-02	S/N OT801000-Up	DR		50-853329T	2-2580-DR	6794
		01	S/N OT467334 - OT800999	DR		50-853329T	2-2580-DR	6794
		00-95	S/N OG129222 - OT408999	UT		50-818445-3	2-2250	5740
225XL Optimax	3.0L - 185.0ci - 225 H.P.	09-01	S/N OT178500 - Up	DR		50-853329T	2-2580-DR	6794
		99-98	S/N OG386496 - OG960499	UT		50-833153-5	2-2254	5772
225XL DTS Optimax	3.0L - 185.0ci - 225 H.P.	09-03	S/N OT980000-Up	DR		50-853329T	2-2580-DR	6794
225XL Verado 4-Stroke	2.6L - 158.5ci - 225 H.P.	09-05	Delco System	DR		50-892339T	2-2580-DR	6794
225XL Seapro	3.0L - 185.0ci - 225 H.P.	98-96	United Tech System	UT		50-818445-3	2-2250	5740
225XRI	3.0L - 185.0ci - 225 H.P.	95	United Tech System	UT		50-818445-3	2-2250	5740
225XS Sport Racing	3.0L - 185.0ci - 225 H.P.	09-06	Delco System	DR		50-892339T	2-2580-DR	6794
225XXL	3.0L - 185.0ci - 225 H.P.	99-94	United Tech System	UT		50-818445-3	2-2250	5740
225XXL EFI	3.0L - 185.0ci - 225 H.P.	04-02	S/N OT801000-Up	DR		50-853329T	2-2580-DR	6794
		01	S/N OT467334 - OT800999	DR		50-853329T	2-2580-DR	6794
		00-95	S/N OG129222 - OT408999	UT		50-818445-3	2-2250	5740
225XXL Optimax	3.0L - 185.0ci - 225 H.P.	09-01	S/N OT178500 - Up	DR		50-853329T	2-2580-DR	6794
		99-98	S/N OG386496 - OG960499	UT		50-833153-5	2-2254	5772
225XXL DTS Optimax	3.0L - 185.0ci - 225 H.P.	09-03	S/N OT980000-Up	DR		50-853329T	2-2580-DR	6794
225XXL Verado 4-Stroke	2.6L - 158.5ci - 225 H.P.	09-05	Delco System	DR		50-892339T	2-2580-DR	6794
240 EFI Jet Drive	2.5L - 153.0ci - 240 H.P.	01	Powerhead & Pump	UT		50-832997-2	2-2755-2	5773
240 M2 Jet Drive	2.5L - 153.0ci - 240 H.P.	01-00	Powerhead & Pump	UT		50-832997-2	2-2755-2	5773
250 Pro XS Optimax	3.0L - 185.0ci - 225 H.P.	09-07	Delco System	DR		50-892339T	2-2580-DR	6794
250CXL EFI	3.0L - 185.0ci - 225 H.P.	04-02	S/N OT801000-Up	DR		50-853329T	2-2580-DR	6794
		01	S/N OT467334 - OT800999	DR		50-853329T	2-2580-DR	6794
		00-95	S/N OG129222 - OT408999	UT		50-818445-3	2-2250	5740
250CXL Verado 4-Stroke	2.6L - 158.5ci - 250 H.P.	09-05	Delco System	DR		50-892339T	2-2580-DR	6794
250CXXL EFI	3.0L - 185.0ci - 225 H.P.	04-02	S/N OT801000-Up	DR		50-853329T	2-2580-DR	6794
		01	S/N OT467334 - OT800999	DR		50-853329T	2-2580-DR	6794
		00-95	S/N OG129222 - OT408999	UT		50-818445-3	2-2250	5740
250CXXL Verado 4-Stroke	2.6L - 158.5ci - 250 H.P.	09-05	Delco System	DR		50-892339T	2-2580-DR	6794
250L Verado 4-Stroke	2.6L - 158.5ci - 250 H.P.	09-05	Delco System	DR		50-892339T	2-2580-DR	6794
250XL	3.4L - 207.0ci - 250 H.P.	90-89	United Tech System	UT		50-79472	2-2081-UT	5389
250XL EFI	3.0L - 185.0ci - 225 H.P.	04-02	S/N OT801000-Up	DR		50-853329T	2-2580-DR	6794
		01	S/N OT467334 - OT800999	DR		50-853329T	2-2580-DR	6794
		00-95	S/N OG129222 - OT408999	UT		50-818445-3	2-2250	5740
250XL Verado 4-Stroke	2.6L - 158.5ci - 250 H.P.	09-05	Delco System	DR		50-892339T	2-2580-DR	6794

◆ See Buyer's Guide for Optional Units

# STARTERS

Model	Engine	Year	Option	Mfg	KW	OEM #	PART NO.	REF.
-------	--------	------	--------	-----	----	-------	----------	------

## MERCURY - continued

### Engines - Marine Outboard - continued

250XS Racing	3.0L - 185.0ci - 250 H.P.	09-05	Delco System	DR	50-892339T	2-2580-DR	6794
250XXL	3.4L - 207.0ci - 250 H.P.	90-89	United Tech System	UT	50-79472	2-2081-UT	5389
250XXL EFI	3.0L - 185.0ci - 225 H.P.	04-02	S/N OT801000-Up	DR	50-853329T	2-2580-DR	6794
		01	S/N OT467334 - OT800999	DR	50-853329T	2-2580-DR	6794
		00-95	S/N OG129222 - OT408999	UT	50-818445-3	2-2250	5740
250XXL Verado 4-Stroke	2.6L - 158.5ci - 250 H.P.	09-05	Delco System	DR	50-892339T	2-2580-DR	6794
275CXL	3.4L - 207.0ci - 275 H.P.	94-91	United Tech System	UT	50-79472	2-2081-UT	5389
275CXL Verado 4-Stroke	2.6L - 158.5ci - 275 H.P.	09-05	Delco System	DR	50-892339T	2-2580-DR	6794
275CXXL	3.4L - 207.0ci - 275 H.P.	94-91	United Tech System	UT	50-79472	2-2081-UT	5389
275CXXL Verado 4-Stroke	2.6L - 158.5ci - 275 H.P.	09-05	Delco System	DR	50-892339T	2-2580-DR	6794
275L	3.4L - 207.0ci - 275 H.P.	93-91	United Tech System	UT	50-79472	2-2081-UT	5389
275L Verado 4-Stroke	2.6L - 158.5ci - 275 H.P.	09-05	Delco System	DR	50-892339T	2-2580-DR	6794
275XL	3.4L - 207.0ci - 275 H.P.	94-89	United Tech System	UT	50-79472	2-2081-UT	5389
275XL Verado 4-Stroke	2.6L - 158.5ci - 275 H.P.	09-05	Delco System	DR	50-892339T	2-2580-DR	6794
275XXL	3.4L - 207.0ci - 275 H.P.	94-89	United Tech System	UT	50-79472	2-2081-UT	5389
275XXL Verado 4-Stroke	2.6L - 158.5ci - 275 H.P.	09-05	Delco System	DR	50-892339T	2-2580-DR	6794
300CL Promax Racing	3.0L - 185.0ci - 300 H.P.	00-98	S/N OG610221 - OT105297	UT	50-818445-5	2-2250	5740
300CL Verado 4-Stroke	2.6L - 158.5ci - 300 H.P.	09-08	Delco System	DR	50-892339T	2-2580-DR	6794
300CXL Promax Racing	3.0L - 185.0ci - 300 H.P.	00-98	S/N OG610221 - OT105297	UT	50-818445-5	2-2250	5740
300CXL Verado 4-Stroke	2.6L - 158.5ci - 300 H.P.	09-08	Delco System	DR	50-892339T	2-2580-DR	6794
300CXXL Verado 4-Stroke	2.6L - 158.5ci - 300 H.P.	09-08	Delco System	DR	50-892339T	2-2580-DR	6794
300ELPT	3.4L - 207.0ci - 300 H.P.	83-81	United Tech System	UT	50-44415	2-2081-UT	5389
300EXLPT	3.4L - 207.0ci - 300 H.P.	83-81	United Tech System	UT	50-44415	2-2081-UT	5389
300L Promax Racing	3.0L - 185.0ci - 300 H.P.	00-98	S/N OG610221 - OT105297	UT	50-818445-5	2-2250	5740
300L Verado 4-Stroke	2.6L - 158.5ci - 300 H.P.	09-08	Delco System	DR	50-892339T	2-2580-DR	6794
300X, XS Promax Racing	3.0L - 185.0ci - 300 H.P.	09-05	Delco System	DR	50-892339T	2-2580-DR	6794
300XL Promax Racing	3.0L - 185.0ci - 300 H.P.	00-98	S/N OG610221 - OT105297	UT	50-818445-5	2-2250	5740
300XL Verado 4-Stroke	2.6L - 158.5ci - 300 H.P.	09-08	Delco System	DR	50-892339T	2-2580-DR	6794
300XXL Verado 4-Stroke	2.6L - 158.5ci - 300 H.P.	09-08	Delco System	DR	50-892339T	2-2580-DR	6794

## MITSUBISHI

### Inboard

K3M	K3M-61EM	82-On	Mitsubishi System	MI 2.0	M2T56272	2-1781-MI	17096
K4E	K4E-61EM	82-On	Mitsubishi System	MI 2.0	M2T56272	2-1781-MI	17096
	K4E-61SM	82-On	Mitsubishi System	MI 2.0	M2T56272	2-1781-MI	17096
	K4E-61TM	82-On	Mitsubishi System	MI 2.0	M2T56272	2-1781-MI	17096
K4M	K4M-D61SS		Mitsubishi System	MI 2.0	M2T56272	2-1781-MI	17096
L2E	L2E-61WM		Mitsubishi System	MI 1.2	M2T56283	2-1167-MI	16720
	L2E-62WM		Mitsubishi System	MI 1.2	M2T56283	2-1167-MI	16720
L3A	L3A-61WM		Mitsubishi System	MI 1.2	M2T56283	2-1167-MI	16720
L3C	L3C-61WM		Mitsubishi System	MI 1.2	M2T56283	2-1167-MI	16720
	L3C-62WM		Mitsubishi System	MI 1.2	M2T56283	2-1167-MI	16720
	L3C-63WMA		Mitsubishi System	MI 1.2	M2T56283	2-1167-MI	16720
L3E	L3E-61WM		Mitsubishi System	MI 1.2	M2T56283	2-1167-MI	16720
	L3E-62WM		Mitsubishi System	MI 1.2	M2T56283	2-1167-MI	16720

## MUSTANG

### Skid Steer Loaders

930	Yanmar 3TN82E Dsl	89-88	Hitachi System	HI 2.0	S13-94A	2-2728-HI-2	18051
930A	Yanmar 3TN82E Dsl	96-89	Hitachi System	HI 2.0	S13-94A	2-2728-HI-2	18051
940	Yanmar 4TN82E Dsl	96-88	Hitachi System	HI 2.0	S13-94A	2-2728-HI-2	18051
960	Isuzu 4JB1 Dsl	98-94	Hitachi System	HI 2.2	S13-111	2-2006-HI	18299

## NEW HOLLAND

### Excavators

E15		06-On	Hitachi System	HI 0.9	VV11922677010	2-1948-HI	18055
-----	--	-------	----------------	--------	---------------	-----------	-------

### Loaders - Compact

CL25	Shibaura Diesel	86-83	Hitachi System	HI 1.2	SBA18508-6321	2-2007-HI	17300
CL35		86-83	Replacement (9-Tooth Drive)	MI 1.7	SBA18508-6551	2-2569-MI	18395

Model	Engine	Year	Option	Mfg KW	OEM #	PART NO.	REF.
<b>NEW HOLLAND - continued</b>							
<b>Mowers</b>							
1495	Ford 200 Gas	77-72	Ford System	FD	D6BF-11001-BA	2-1674-FD	3131
	Perkins 4-236 Diesel	86-76	Lucas System	LU 2.8	26404	2-2290-LU	16670
1496	Perkins 4-236 Diesel	91-85	Lucas System	LU 2.8	26404	2-2290-LU	16670
1499	Ford Diesel Engines	92-87	Lucas System	LU 2.8	26338A	50-9200 ♦	16608
<b>Mowers - Front</b>							
G6030	1.5L 3cyl 30HP Diesel	08-0n	Mitsubishi System	MI 1.7	SBA18508-6551	2-2569-MI	18395
G6035	1.7L 3cyl 36HP Diesel	08-0n	Denso System	ND 2.0	SBA18508-6530	2-2732-ND-2	18139
MC22	1.0L 3cyl 22HP Diesel	00-0n	Denso System	ND 0.9	SBA18508-6340	2-1032-ND	17366
MC28	1.3L 3cyl 28HP Diesel	00-0n	Mitsubishi System	MI 1.7	SBA18508-6551	2-2569-MI	18395
MC35	1.7L 3cyl 35HP Diesel	00-0n	Denso System	ND 2.0	SBA18508-6530	2-2732-ND-2	18139
<b>Mowers - Zero Turn</b>							
G4010	Kohler 19HP Gas	All	UT System	UT	K0H2009805S	2-2855-UT	5796
G4020	Kohler 21HP Gas	All	UT System	UT	K0H2009805S	2-2855-UT	5796
MZ17H	Kohler 18HP	All	UT System	UT	K0H1209822S	2-2241	5770
MZ19H	Kawasaki 19HP	All	UT System	UT	KAW211637010	2-2432-UT	5951
<b>Skid Steer Loaders</b>							
L120	Kohler 18HP Gas	06-0n	Denso System	ND 0.6	K0H2409801	2-2022-ND	17628
L140	N843 1.5L 32HP Diesel	06-0n	Denso System	ND 2.0	SBA18508-6530	2-2732-ND-2	18139
L150	N843H 1.5L 38HP Diesel	06-0n	Denso System	ND 2.0	SBA18508-6530	2-2732-ND-2	18139
L160	N844 2.0L 46HP Diesel	06-0n	Denso System	ND 2.0	SBA18508-6530	2-2732-ND-2	18139
L170	N844T 2.0L 52HP Turbo Dsl	06-0n	Denso System	ND 2.0	SBA18508-6530	2-2732-ND-2	18139
L175	N844T 2.0L 60HP Turbo Dsl	07-0n	Denso System	ND 2.0	SBA18508-6530	2-2732-ND-2	18139
L250	B43G Onan Engine	99-84	UT System	UT	507127	2-2642-UT	5701
	P218G Onan Engine	99-84	Solenoid on Bottom	MI 0.8	191-1808-05	2-2668-MI	17312
			Solenoid on Side	MI	191-1808-04	2-1554-MI-1	17291
L454	Kubota V1402	95-93	Denso System	ND 1.4	028000-4990	2-2107-ND	16650
L455	Kubota V1402	93-83	Denso System	ND 1.4	028000-4990	2-2107-ND	16650
L465	N843 Diesel	99-94	Denso System (#46640-On)	ND 2.0	SBA18508-6530	2-2732-ND-2	18139
			Denso System (To #46639)	ND 2.0	SBA18508-6520	2-2732-ND-2	18139
L553	Kubota V1902	93-87	Denso System	ND 1.4	503470	2-2107-ND	18144
L555	Kubota V1902	93-81	Denso System	ND 1.4	503470	2-2107-ND	18144
LS120	Kohler 18HP Gas	00-0n	Denso System	ND 0.6	K0H2409801	2-2022-ND	17628
LS140	N843 Diesel	00-0n	Denso System	ND 2.0	SBA18508-6530	2-2732-ND-2	18139
LS150	N843H Diesel	00-0n	Denso System	ND 2.0	SBA18508-6530	2-2732-ND-2	18139
LS160	N844 Diesel	00-0n	Denso System	ND 2.0	SBA18508-6530	2-2732-ND-2	18139
LS170	N844T Diesel	00-0n	Denso System	ND 2.0	SBA18508-6530	2-2732-ND-2	18139
LX465	N843 Diesel	99-94	Denso System (#46640-On)	ND 2.0	SBA18508-6530	2-2732-ND-2	18139
			Denso System (To #46639)	ND 2.0	SBA18508-6520	2-2732-ND-2	18139
LX485	N843 Diesel	99-94	Denso System (#46640-On)	ND 2.0	SBA18508-6530	2-2732-ND-2	18139
			Denso System (To #46639)	ND 2.0	SBA18508-6520	2-2732-ND-2	18139
LX565	N844 Diesel	99-94	Denso System (#57422-On)	ND 2.0	SBA18508-6530	2-2732-ND-2	18139
			Denso System (To #57421)	ND 2.0	SBA18508-6520	2-2732-ND-2	18139
LX665	N844 Diesel	99-94	Denso System (#57422-On)	ND 2.0	SBA18508-6530	2-2732-ND-2	18139
			Denso System (To #57421)	ND 2.0	SBA18508-6520	2-2732-ND-2	18139
<b>Tractors - Compact</b>							
1000	2-77 Shibaura Diesel	78-73	Hitachi System	HI 1.8	SBA18508-6052	2-2317-HI	17331
1120	3-53 Shibaura Diesel	94-87	Denso System	ND 0.9	SBA18508-6340	2-1032-ND	17366
1215	3-54 Shibaura Diesel	98-93	Denso System	ND 0.9	SBA18508-6340	2-1032-ND	17366
1220	3-58 Shibaura Diesel	98-87	Denso System	ND 0.9	SBA18508-6340	2-1032-ND	17366
1310	3-58 Shibaura Diesel	86-83	Hitachi System	HI 1.2	SBA18508-6321	2-2007-HI	17300
1320	3-77 Shibaura Diesel	98-87	Replacement (9-Tooth Drive)	MI 1.7	SBA18508-6551	2-2569-MI	18395
1500	2cyl Shibaura Diesel	82-79	Hitachi System	HI 1.8	SBA18508-6052	2-2317-HI	17331
1510	3-68 Shibaura Diesel	86-83	Hitachi System	HI 1.2	SBA18508-6321	2-2007-HI	17300
1520	3-81 Shibaura Diesel	97-87	Replacement (9-Tooth Drive)	MI 1.7	SBA18508-6551	2-2569-MI	18395
1530	3-81 Shibaura Diesel	98-96	Replacement (9-Tooth Drive)	MI 1.7	SBA18508-6551	2-2569-MI	18395
1600	2-77 Shibaura Diesel	79-76	Hitachi System	HI 1.8	SBA18508-6052	2-2317-HI	17331
1620	3-81 Shibaura Diesel	79-76	Replacement (9-Tooth Drive)	MI 1.7	SBA18508-6551	2-2569-MI	18395
1630	3-81 Shibaura Diesel	99-97	Replacement (9-Tooth Drive)	MI 1.7	SBA18508-6551	2-2569-MI	18395
1700	2-78 Shibaura Diesel	82-79	Hitachi System	HI 1.8	SBA18508-6052	2-2317-HI	17331

♦ See Buyer's Guide for Optional Units



# STARTERS

Model	Engine	Year	Option	Mfg	KW	OEM #	PART NO.	REF.
<b>NEW HOLLAND - continued</b>								
<b>Tractors - Compact - continued</b>								
1710	3-85 Shibaura Diesel	87-83	Mitsubishi System	MI	1.7	SBA18508-6551	<b>2-2569-MI</b>	18395
1715	3-81 Shibaura Diesel	97-93	Replacement (9-Tooth Drive)	MI	1.7	SBA18508-6551	<b>2-2569-MI</b>	18395
1720	3-81 Shibaura Diesel	02-87	Replacement (9-Tooth Drive)	MI	1.7	SBA18508-6551	<b>2-2569-MI</b>	18395
1725	3-81 Shibaura Diesel	98-96	Mitsubishi System	MI	1.7	SBA18508-6551	<b>2-2569-MI</b>	18395
1920	4-122 Shibaura Diesel	02-97	Denso (12/1/96-On)	ND	2.0	SBA18508-6530	<b>2-2732-ND-2</b>	18139
		96-94	Denso (6/30/93 - 11/30/96)	ND	2.0	SBA18508-6520	<b>2-2732-ND-2</b>	18139
		93	Denso (6/30/93 - 11/30/96)	ND	2.0	SBA18508-6520	<b>2-2732-ND-2</b>	18139
1925	3-91 Shibaura Diesel	98-96	Replacement (9-Tooth Drive)	MI	1.7	SBA18508-6551	<b>2-2569-MI</b>	18395
3415	4-135 Shibaura Diesel	02-93	Denso (12/1/96-On)	ND	2.0	SBA18508-6530	<b>2-2732-ND-2</b>	18139
			Denso (6/30/93 - 11/30/96)	ND	2.0	SBA18508-6520	<b>2-2732-ND-2</b>	18139
Boomer 1020	0.95L 3cyl 20HP Diesel	08-On	Denso System	ND	0.9	SBA18508-6670	<b>2-1032-ND</b>	17366
Boomer 1025	1.1L 3cyl 26HP Diesel	08-On	Denso System	ND	0.9	SBA18508-6670	<b>2-1032-ND</b>	17366
Boomer 1030	1.1L 3cyl 28HP Diesel	08-On	Denso System	ND	0.9	SBA18508-6670	<b>2-1032-ND</b>	17366
Boomer 2030	1.5L 3cyl 31HP Diesel	08-On	Mitsubishi System	MI	1.7	SBA18508-6551	<b>2-2569-MI</b>	18395
Boomer 2035	1.6L 3cyl 35HP Diesel	08-On	Denso System	ND	2.0	SBA18508-6530	<b>2-2732-ND-2</b>	18139
Boomer 3040	2.0L 4cyl 40HP Diesel	08-On	Denso System	ND	2.0	SBA18508-6530	<b>2-2732-ND-2</b>	18139
Boomer 3045	2.2L 4cyl 45HP Diesel	08-On	Denso System	ND	2.0	SBA18508-6530	<b>2-2732-ND-2</b>	18139
Boomer 3050	2.2L 4cyl 50HP Diesel	08-On	Denso System	ND	2.0	SBA18508-6530	<b>2-2732-ND-2</b>	18139
Boomer 4055	2.2L 4cyl 55HP Diesel	08-On	Denso System	ND	2.0	SBA18508-6530	<b>2-2732-ND-2</b>	18139
Boomer 4060	2.2L 4cyl 60HP Diesel	08-On	Denso System	ND	2.0	SBA18508-6530	<b>2-2732-ND-2</b>	18139
T1010	0.95L 3cyl 20HP Diesel	08-On	Denso System	ND	0.9	SBA18508-6670	<b>2-1032-ND</b>	17366
T1030	1.1L 3cyl 26HP Diesel	08-On	Denso System	ND	0.9	SBA18508-6670	<b>2-1032-ND</b>	17366
T1110	1.1L 3cyl 28HP Diesel	08-On	Denso System	ND	0.9	SBA18508-6670	<b>2-1032-ND</b>	17366
T1510	1.5L 3cyl 30HP Diesel	08-On	Mitsubishi System	MI	1.7	SBA18508-6551	<b>2-2569-MI</b>	18395
T1520	1.7L 3cyl 35HP Diesel	07-On	Mitsubishi System	MI	1.7	SBA18508-6551	<b>2-2569-MI</b>	18395
T2210	1.5L 3cyl 31HP Diesel	08-On	Mitsubishi System	MI	1.7	SBA18508-6551	<b>2-2569-MI</b>	18395
T2220	1.6L 3cyl 35HP Diesel	08-On	Denso System	ND	2.0	SBA18508-6530	<b>2-2732-ND-2</b>	18139
T2310	2.0L 4cyl 40HP Diesel	08-On	Denso System	ND	2.0	SBA18508-6530	<b>2-2732-ND-2</b>	18139
T2320	2.2L 4cyl 45HP Diesel	08-On	Denso System	ND	2.0	SBA18508-6530	<b>2-2732-ND-2</b>	18139
T2330	2.2L 4cyl 50HP Diesel	08-On	Denso System	ND	2.0	SBA18508-6530	<b>2-2732-ND-2</b>	18139
T2410	2.2L 4cyl 55HP Diesel	08-On	Denso System	ND	2.0	SBA18508-6530	<b>2-2732-ND-2</b>	18139
T2420	2.2L 4cyl 60HP Diesel	08-On	Denso System	ND	2.0	SBA18508-6530	<b>2-2732-ND-2</b>	18139
TB80	4392cc NH Turbo Dsl	03-On	Bosch System	BO	3.1	9-007-044-014	<b>2-2085-BO</b>	18024
			Iskra System	BO	3.1	11.130.627	<b>2-2085-BO</b>	18024
TB85	4392cc NH Turbo Dsl	03-On	Bosch System	BO	3.1	9-007-044-014	<b>2-2085-BO</b>	18024
			Iskra System	BO	3.1	11.130.627	<b>2-2085-BO</b>	18024
TB90	4987cc NH Turbo Dsl	03-On	Bosch System	BO	3.1	9-007-044-014	<b>2-2085-BO</b>	18024
			Iskra System	BO	3.1	11.130.627	<b>2-2085-BO</b>	18024
TB100	4987cc NH Turbo Dsl	03-On	Bosch System	BO	3.1	9-007-044-014	<b>2-2085-BO</b>	18024
			Iskra System	BO	3.1	11.130.627	<b>2-2085-BO</b>	18024
TB110	4987cc NH Turbo Dsl	03-On	Bosch System	BO	3.1	9-007-044-014	<b>2-2085-BO</b>	18024
			Iskra System	BO	3.1	11.130.627	<b>2-2085-BO</b>	18024
TB120	7480cc NH Diesel	03-On	Bosch System	BO	3.1	9-007-044-014	<b>2-2085-BO</b>	18024
			Iskra System	BO	3.1	11.130.627	<b>2-2085-BO</b>	18024
TC18	Shibura 18.5HP Diesel	03-99	Denso System	ND	0.9	SBA18508-6340	<b>2-1032-ND</b>	17366
TC21	Shibura 21HP Diesel	05-99	Denso System	ND	0.9	SBA18508-6340	<b>2-1032-ND</b>	17366
TC21D	Shibura 21HP Diesel	05-99	Denso System	ND	0.9	SBA18508-6340	<b>2-1032-ND</b>	17366
TC21DA	Shibura 21HP Diesel	03-On	Denso System	ND	0.9	SBA18508-6340	<b>2-1032-ND</b>	17366
TC23DA	Shibura 23HP Diesel	05-On	Denso System	ND	0.9	SBA18508-6340	<b>2-1032-ND</b>	17366
TC24D	Shibura 24HP Diesel	02-On	Denso System	ND	0.9	SBA18508-6340	<b>2-1032-ND</b>	17366
TC24DA	Shibura 24HP Diesel	03-On	Denso System	ND	0.9	SBA18508-6340	<b>2-1032-ND</b>	17366
TC25	Shibura 25HP Diesel	05-98	9-Tooth Drive; Replaces 11-Tooth	MI	1.7	SBA18508-6551	<b>2-2569-MI</b>	18395
TC25D	Shibura 25HP Diesel	05-98	9-Tooth Drive; Replaces 11-Tooth	MI	1.7	SBA18508-6551	<b>2-2569-MI</b>	18395
TC26DA	New Holland 26HP Diesel	05-On	Denso System	ND	0.9	SBA18508-6340	<b>2-1032-ND</b>	17366
TC29	Shibura 29HP Diesel	99-On	9-Tooth Drive; Replaces 11-Tooth	MI	1.7	SBA18508-6551	<b>2-2569-MI</b>	18395
TC29D	Shibura 29HP Diesel	99-On	9-Tooth Drive; Replaces 11-Tooth	MI	1.7	SBA18508-6551	<b>2-2569-MI</b>	18395
TC29DA	Shibura 29HP Diesel	03-On	Mitsubishi System	MI	1.7	SBA18508-6551	<b>2-2569-MI</b>	18395
TC30	New Holland 30HP Diesel	01-On	Mitsubishi System	MI	1.7	SBA18508-6551	<b>2-2569-MI</b>	18395
TC31DA	New Holland 31HP Diesel	06-On	Mitsubishi System	MI	1.7	SBA18508-6551	<b>2-2569-MI</b>	18395

♦ See Buyer's Guide for Optional Units

Model	Engine	Year	Option	Mfg KW	OEM #	PART NO.	REF.
<b>NEW HOLLAND - continued</b>							
<b>Tractors - Compact - continued</b>							
TC33	Shibura 33HP Diesel	99-On	Mitsubishi System	MI 1.7	SBA18508-6551	2-2569-MI	18395
TC33D	Shibura 33HP Diesel	99-On	Mitsubishi System	MI 1.7	SBA18508-6551	2-2569-MI	18395
TC33DA	Shibura 33HP Diesel	03-On	Mitsubishi System	MI 1.7	SBA18508-6551	2-2569-MI	18395
TC34DA	New Holland 34HP Diesel	06-On	Denso System	ND 2.0	SBA18508-6530	2-2732-ND-2	18139
TC35	New Holland 35HP Diesel	00-On	Denso System	ND 2.0	SBA18508-6530	2-2732-ND-2	18139
TC35A	New Holland 35HP Diesel	03-On	Denso System	ND 2.0	SBA18508-6530	2-2732-ND-2	18139
TC35DA	New Holland 35HP Diesel	03-On	Denso System	ND 2.0	SBA18508-6530	2-2732-ND-2	18139
TC40	New Holland 40HP Diesel	00-On	Denso System	ND 2.0	SBA18508-6530	2-2732-ND-2	18139
TC40A	New Holland 40HP Diesel	03-On	Denso System	ND 2.0	SBA18508-6530	2-2732-ND-2	18139
TC40D	New Holland 40HP Diesel	00-On	Denso System	ND 2.0	SBA18508-6530	2-2732-ND-2	18139
TC40DA	New Holland 40HP Diesel	03-On	Denso System	ND 2.0	SBA18508-6530	2-2732-ND-2	18139
TC45	New Holland 45HP Diesel	00-On	Denso System	ND 2.0	SBA18508-6530	2-2732-ND-2	18139
TC45A	New Holland 45HP Diesel	03-On	Denso System	ND 2.0	SBA18508-6530	2-2732-ND-2	18139
TC45D	New Holland 45HP Diesel	00-On	Denso System	ND 2.0	SBA18508-6530	2-2732-ND-2	18139
TC45DA	New Holland 45HP Diesel	03-On	Denso System	ND 2.0	SBA18508-6530	2-2732-ND-2	18139
TC48DA	New Holland 48HP Diesel	05-On	Denso System	ND 2.0	SBA18508-6530	2-2732-ND-2	18139
TC55DA	New Holland 55HP Diesel	05-On	Denso System	ND 2.0	SBA18508-6530	2-2732-ND-2	18139
TZ18DA	New Holland 18HP Diesel	03-On	Denso System	ND 0.9	SBA18508-6340	2-1032-ND	17366
TZ22DA	New Holland 22HP Diesel	04-On	Denso System	ND 0.9	SBA18508-6340	2-1032-ND	17366
TZ24DA	New Holland 24HP Diesel	05-03	Denso System	ND 0.9	SBA18508-6340	2-1032-ND	17366
TZ25DA	New Holland 25HP Diesel	05-On	Denso System	ND 0.9	SBA18508-6340	2-1032-ND	17366
<b>Tractors - Garden</b>							
GT18	Kohler 18HP	00-97	Denso System	ND 0.6	24-098-01S	2-2022-ND	17628
GT20	Kawasaki 20HP	00-97	Denso System	ND 0.6	TR95D9966	2-2646-ND	18012
	Kohler 20HP	03-On	Denso System	ND 0.6	24-098-01S	2-2022-ND	17628
GT20A	Kohler 20HP	04-On	Denso System	ND 0.6	24-098-01S	2-2022-ND	17628
GT22	Kohler 22HP	00-97	Denso System	ND 0.6	24-098-01S	2-2022-ND	17628
GT22A Garden Tractor	Kohler 22HP	04-On	Denso System	ND 0.6	24-098-01S	2-2022-ND	17628
<b>Tractors - Lawn</b>							
MY16 Yard Tractor	Kohler 16HP	04-On	United Tech System	UT	KOH1209822	2-2241	5770
MY17 Yard Tractor	Kawasaki 17HP	04-On	United Tech System	UT	KAW211637001	2-2432-UT	5951
MY19 Yard Tractor	Kawasaki 19HP	04-On	United Tech System	UT	KAW211637010	2-2432-UT	5951
<b>Tractors - Utility</b>							
230A	3cyl Diesel	83-81	Hitachi System	HI 2.2	D9NN-11000-AA	2-2026-HI	17294
			Lucas System	LU 2.8	D8NN-11000-CA	50-9200 ♦	16608
231	3cyl Diesel	81-75	Hitachi System	HI 2.2	D9NN-11000-AA	2-2026-HI	17294
			Lucas System	LU 2.8	D8NN-11000-CA	50-9200 ♦	16608
233	3cyl Diesel	81-75	Hitachi System	HI 2.2	D9NN-11000-AA	2-2026-HI	17294
			Lucas System	LU 2.8	D8NN-11000-CA	50-9200 ♦	16608
234	3cyl Diesel	83-75	Hitachi System	HI 2.2	D9NN-11000-AA	2-2026-HI	17294
			Lucas System	LU 2.8	D8NN-11000-CA	50-9200 ♦	16608
250C	3cyl Diesel	94-89	Lucas System	LU 2.8	D8NN-11000-CE	50-9200 ♦	16608
333	3cyl Diesel	81-75	Hitachi System	HI 2.2	D9NN-11000-AA	2-2026-HI	17294
			Lucas System	LU 2.8	D8NN-11000-CA	50-9200 ♦	16608
334	3cyl Diesel	83-82	Hitachi System	HI 2.2	D9NN-11000-AA	2-2026-HI	17294
			Lucas System	LU 2.8	D8NN-11000-CA	50-9200 ♦	16608
335	3cyl Diesel	84-75	Hitachi System	HI 2.2	D9NN-11000-AA	2-2026-HI	17294
			Lucas System	LU 2.8	D8NN-11000-CA	50-9200 ♦	16608
340	3cyl Diesel	88-79	Hitachi System	HI 2.2	D9NN-11000-AA	2-2026-HI	17294
			Lucas System	LU 2.8	D8NN-11000-CA	50-9200 ♦	16608
345C	3cyl Diesel	92-88	Lucas System	LU 2.8	D8NN-11000-CE	50-9200 ♦	16608
345D	3cyl Diesel	00-92	Lucas System	LU 2.8	D8NN-11000-CE	50-9200 ♦	16608
420	3cyl Diesel	78-75	Hitachi System	HI 2.2	D9NN-11000-AA	2-2026-HI	17294
			Lucas System	LU 2.8	D8NN-11000-CA	50-9200 ♦	16608
445	3cyl Diesel	85-78	Hitachi System	HI 2.2	D9NN-11000-AA	2-2026-HI	17294
			Lucas System	LU 2.8	D8NN-11000-CA	50-9200 ♦	16608
445A	3cyl Diesel	88-85	Hitachi System	HI 2.2	D9NN-11000-AA	2-2026-HI	17294
			Lucas System	LU 2.8	D8NN-11000-CA	50-9200 ♦	16608
445C	3cyl Diesel	92-89	Lucas System	LU 2.8	D8NN-11000-CE	50-9200 ♦	16608

♦ See Buyer's Guide for Optional Units

# STARTERS

Model	Engine	Year	Option	Mfg	KW	OEM #	PART NO.	REF.
<b>NEW HOLLAND - continued</b>								
<b>Tractors - Utility - continued</b>								
445D	3cyl Diesel	00-92	Lucas System	LU	2.8	D8NN-11000-CE	50-9200 ♦	16608
450	3cyl Diesel	88-87	Hitachi System	HI	2.2	D9NN-11000-AA	2-2026-HI	17294
			Lucas System	LU	2.8	D8NN-11000-CE	50-9200 ♦	16608
455	3cyl Diesel	88-87	Lucas System	LU	2.8	D8NN-11000-CE	50-9200 ♦	16608
455C	3cyl Diesel	93-88	Lucas System	LU	2.8	D8NN-11000-CE	50-9200 ♦	16608
455D	3cyl Diesel	96-92	Lucas System	LU	2.8	D8NN-11000-CE	50-9200 ♦	16608
515	3cyl Diesel	78-75	Hitachi System	HI	2.2	D9NN-11000-AA	2-2026-HI	17294
			Lucas System	LU	2.8	D8NN-11000-CE	50-9200 ♦	16608
530A	3cyl Diesel	83-81	Hitachi System	HI	2.2	D9NN-11000-AA	2-2026-HI	17294
			Lucas System	LU	2.8	D8NN-11000-CA	50-9200 ♦	16608
531	3cyl Diesel	81-75	Hitachi System	HI	2.2	D9NN-11000-AA	2-2026-HI	17294
			Lucas System	LU	2.8	D8NN-11000-CA	50-9200 ♦	16608
532	3cyl Diesel	78-75	Hitachi System	HI	2.2	D9NN-11000-AA	2-2026-HI	17294
			Lucas System	LU	2.8	D8NN-11000-CA	50-9200 ♦	16608
535	3cyl Diesel	78-75	Hitachi System	HI	2.2	D9NN-11000-AA	2-2026-HI	17294
			Lucas System	LU	2.8	D8NN-11000-CA	50-9200 ♦	16608
TN55	2.9L NH 50HP Diesel	04-99	Bosch System (C4586)	BO	2.7	500333269	2-2325-BO	17093
TN55D, S	2.9L NH 50HP Diesel	04-99	Bosch System (C4586)	BO	2.7	500333269	2-2325-BO	17093

## NISSAN

### Engines - Marine Outboard

NS8	8HP 2-Stroke	03-92	Hitachi System	HI		S106-12A	2-2452-HI-2	18301
NSF8	8HP 4-Stroke	06-03	Hitachi System	HI		S106-12B	2-2452-HI-2	18301
NS9.8	9.8HP 2-Stroke	03-98	Hitachi System	HI		S106-12A	2-2452-HI-2	18301
NSF9.8	9.8HP 4-Stroke	06-03	Hitachi System	HI		S106-12B	2-2452-HI-2	18301
NS9.9	9.9HP 2-Stroke	03-92	Hitachi System	HI		S106-12B	2-2452-HI-2	18301
NSF9.9	9.9HP 4-Stroke	08-00	Hitachi System	HI		S108-112	2-2168-HI	18319
NS15	15HP 2-Stroke	03-92	Hitachi System	HI		S106-12B	2-2452-HI-2	18301
NSF15	15HP 4-Stroke	08-00	Hitachi System	HI		S108-112	2-2168-HI	18319
NS18	18HP 2-Stroke	03-92	Hitachi System	HI		S106-12B	2-2452-HI-2	18301
NSF18	18HP 4-Stroke	06-01	Hitachi System	HI		S108-112	2-2168-HI	18319
NSF20	20HP 4-Stroke	08	Hitachi System	HI		S108-112	2-2168-HI	18319
NSF25	25HP 4-Stroke	05-02	Hitachi System	HI		S108-112	2-2168-HI	18319
NSF30	30HP 4-Stroke	05-02	Hitachi System	HI		S108-112	2-2168-HI	18319
NS40	40HP 2-Stroke	03-92	Hitachi System	HI		S108-112	2-2168-HI	18319
NSD40	40HP TLDI	06-01	Hitachi System	HI		S108-112	2-2168-HI	18319
NS50	50HP 2-Stroke	03-92	Hitachi System	HI		S108-112	2-2168-HI	18319
NSD50	50HP TLDI	06-01	Hitachi System	HI		S108-112	2-2168-HI	18319
NS60	60HP 2-Stroke	03-96	Hitachi System	HI		S108-112	2-2168-HI	18319
		95-92	Hitachi System	HI		S114-415	2-2313-HI	18323
NS70	70HP 2-Stroke	03-96	Hitachi System	HI		S108-112	2-2168-HI	18319
		95-92	Hitachi System	HI		S114-415	2-2313-HI	18323
NSD70	70HP TLDI	06-03	Hitachi System	HI		S108-112	2-2168-HI	18319
NS90	90HP 2-Stroke	96-92	Hitachi System	HI		S114-415	2-2313-HI	18323
NSD90	90HP TLDI	06-01	Hitachi System	HI		S108-112	2-2168-HI	18319
NS115	115HP 2-Stroke	03-92	Hitachi System	HI		S114-415	2-2313-HI	18323
NSD115	115HP TLDI	06	Hitachi System	HI		S114-667	2-2313-HI	18323
NS120	120HP 2-Stroke	96-92	Hitachi System	HI		S114-415	2-2313-HI	18323
NS140	140HP 2-Stroke	03-92	Hitachi System	HI		S114-415	2-2313-HI	18323

## OMC

### Engines - Marine

2.3L	4cyl, 140ci, 2.3L Ford	90-87	Ford System (CCW)	FD		984628	2-2751-FD-2	3183
2.5L	4cyl, 153ci, 2.5L GM	86-84	Replacement PMGR Starter	DR	1.7	988217	2-1760-DR-2	6563
			Original Starter	DR		983790	2-1591-DR ♦	3548
			Original Starter	DR		1998318	2-1591-DR ♦	3548
			Original Starter	DR		1109489	2-1591-DR ♦	3548
			Original Starter	DR		1108755	2-1591-DR ♦	3548
3.0L	4cyl, 181ci, 3.0L GM	96-95	Original Starter	DR	1.7	3854750	2-1760-DR-2	6563
			Original Starter	DR	1.7	3850526	2-1760-DR-2	6563

♦ See Buyer's Guide for Optional Units

Model	Engine	Year	Option	Mfg KW	OEM #	PART NO.	REF.
<b>OMC - continued</b>							
<b>Engines - Marine - continued</b>							
3.0L	4cyl, 181ci, 3.0L GM	93-89	Replacement PMGR Starter	DR 1.7	988217	<b>2-1760-DR-2</b>	6563
			Original Starter	DR	985966	<b>2-1591-DR ♦</b>	3548
		88-84	Replacement PMGR Starter	DR 1.7	988217	<b>2-1760-DR-2</b>	6563
			Original Starter	DR	983790	<b>2-1591-DR ♦</b>	3548
		83-82	Original Starter	DR	1998318	<b>2-1591-DR ♦</b>	3548
		81-79	Original Starter	DR	1109489	<b>2-1591-DR ♦</b>	3548
		78	Original Starter	DR	1108755	<b>2-1591-DR ♦</b>	3548
3.8L	6cyl, 231ci, 3.8L GM	85-84	Replacement PMGR Starter	DR 1.7	988217	<b>2-1760-DR-2</b>	6563
			Original Starter	DR	983790	<b>2-1591-DR ♦</b>	3548
		83-81	Original Starter	DR	983790	<b>2-1591-DR ♦</b>	3548
4.3L	6cyl, 262ci, 4.3L GM	96-95	Original Starter	DR 1.7	3854751	<b>2-1691-DR-2</b>	6562
		94	Replacement PMGR Starter	DR 1.7	3854751	<b>2-1691-DR-2</b>	6562
			Original Starter	DR	3850525	<b>2-2909-DR ♦</b>	6423
		93-87	Replacement PMGR Starter	DR 1.7	3854751	<b>2-1691-DR-2</b>	6562
			Original Starter	DR	984456	<b>2-2909-DR ♦</b>	6423
		86-85	Replacement PMGR Starter	DR 1.7	988217	<b>2-1760-DR-2</b>	6563
	Original Starter	DR	983790	<b>2-1591-DR ♦</b>	3548		
5.0L	8cyl, 302ci, 5.0L Ford	96-94	Ford Engine (CCW)	FD	3854190	<b>2-2750-FD-2</b>	3200
		93	Ford Engine (CCW)	FD	987811	<b>2-2750-FD-2</b>	3200
		92	Ford Engine (CCW - AMH Models)	FD		<b>2-2901-FD ♦</b>	3143
			Ford Engine (CCW - AMK Models)	FD	987811	<b>2-2750-FD-2</b>	3200
		91-90	Ford Engine (CCW)	FD		<b>2-2901-FD ♦</b>	3143
			Ford Engine (CW)	FD		<b>2-2900-FD</b>	3182
	8cyl, 305ci, 5.0L GM	88-87	GM Engine (Original Starter)	DR	984456	<b>2-2909-DR ♦</b>	6423
			GM Engine (Repl. PMGR)	DR 1.7	3854751	<b>2-1691-DR-2</b>	6562
		86	Models KW & KWB (Opt.)	DR 1.7	988217	<b>2-1760-DR-2</b>	6563
			Models KW & KWB (Std.)	DR	983790	<b>2-1591-DR ♦</b>	3548
			Models WX & WXS (Opt.)	DR 1.7	3854751	<b>2-1691-DR-2</b>	6562
			Models WX & WXS (Std.)	DR	984456	<b>2-2909-DR ♦</b>	6423
		85-84	Original Starter	DR	983790	<b>2-1591-DR ♦</b>	3548
			Replacement PMGR Starter	DR 1.7	988217	<b>2-1760-DR-2</b>	6563
		81-79	Inboard (CCW)	DR	1109485	<b>2-2752-DR-2</b>	4304
			Inboard (CW)	DR	1109484	<b>2-2591-DR-2</b>	6440
Stern Drive	DR		1109489	<b>2-1591-DR ♦</b>	3548		
78	Inboard (CCW)	DR	1109485	<b>2-2752-DR-2</b>	4304		
	Inboard (CW)	DR	1109484	<b>2-2591-DR-2</b>	6440		
	Stern Drive	DR	1109487	<b>2-1591-DR ♦</b>	3548		
5.7L	8cyl, 350ci, 5.7L GM	96-95	Original Starter	DR 1.7	3854751	<b>2-1691-DR-2</b>	6562
		94	Original Starter	DR	3850525	<b>2-2909-DR ♦</b>	6423
			Replacement PMGR Starter	DR 1.7	3854751	<b>2-1691-DR-2</b>	6562
		91-87	Original Starter	DR	984456	<b>2-2909-DR ♦</b>	6423
			Replacement PMGR Starter	DR 1.7	3854751	<b>2-1691-DR-2</b>	6562
		86	Models KW & KWB (Opt.)	DR 1.7	988217	<b>2-1760-DR-2</b>	6563
			Models KW & KWB (Std.)	DR	983790	<b>2-1591-DR ♦</b>	3548
			Models WX & WXS (Opt.)	DR 1.7	3854751	<b>2-1691-DR-2</b>	6562
			Models WX & WXS (Std.)	DR	984456	<b>2-2909-DR ♦</b>	6423
		85-84	Original Starter	DR	1998317	<b>2-1591-DR ♦</b>	3550
			Replacement PMGR Starter	DR 1.7	988217	<b>2-1760-DR-2</b>	6563
		83-82	Stern Drive	DR	1998317	<b>2-1591-DR ♦</b>	3550
		81-78	Inboard (CCW)	DR	1109484	<b>2-2591-DR-2</b>	6440
			Inboard (CW)	DR	1109485	<b>2-2752-DR-2</b>	4304
			Stern Drive	DR	1109488	<b>2-1591-DR ♦</b>	3550
		5.8L	8cyl, 351ci, 5.8L Ford	96-94	Ford Engine (CCW)	FD	3854190
93	Ford Engine (CCW)			FD	987811	<b>2-2750-FD-2</b>	3200
92-89	Ford Engine (CCW)			FD		<b>2-2901-FD ♦</b>	3143
81-78	Ford Engine (CCW)			FD		<b>2-2901-FD ♦</b>	3143
	Ford Engine (CW)			FD		<b>2-2900-FD</b>	3182

♦ See Buyer's Guide for Optional Units

# STARTERS

Model	Engine	Year	Option	Mfg	KW	OEM #	PART NO.	REF.
<b>OMC - continued</b>								
<b>Engines - Marine - continued</b>								
7.4L	8cyl, 454ci, 7.4L GM	96-95	Original Starter	DR	1.7	3854751	2-1691-DR-2	6562
		94	Original Starter	DR		3853982	2-2909-DR ♦	6423
			Replacement PMGR Starter	DR	1.7	3854751	2-1691-DR-2	6562
		93-90	Original Starter	DR		986505	2-2909-DR ♦	6423
			Replacement PMGR Starter	DR	1.7	3854751	2-1691-DR-2	6562
		88	Delco System (CCW)	DR		984982	2-2752-DR-2	4304
		80-78	Flange Mt. (CCW)	DR		1109485	2-2752-DR-2	4304
Flange Mt. (CW)	DR			1109484	2-2591-DR-2	6440		
7.5L	8cyl, 460ci, 7.5L Ford	90-87	Ford System (CCW)	FD		2-2903-FD	3140	
			Ford System (CW)	FD	984536	2-2902-FD	3159A	
8.2L	8cyl, 502ci, 8.2L GM	92	Replacement PMGR Starter	DR	1.7	3854751	2-1691-DR-2	6562
			Original Starter	DR		986505	2-2909-DR ♦	6423
		91-89	Replacement PMGR Starter	DR	1.7	3854751	2-1691-DR-2	6562
		88	Original Starter	DR		984456	2-2909-DR ♦	6423
			Replacement PMGR Starter	DR	1.7	3854751	2-1691-DR-2	6562

## ONAN

<b>Engines</b>								
2L600 Kubota		79-On	Denso System	ND	0.8	028000-7460	2-1421-ND	17354
B43E		79-On	United Tech System	UT		SM43672	2-2642-UT	5701
B43G		79-On	United Tech System	UT		SM43672	2-2642-UT	5701
B43M		79-On	United Tech System	UT		SM10795	2-2195-UT	5702
B48G		79-On	United Tech System	UT		SM43672	2-2642-UT	5701
B48M		79-On	United Tech System	UT		SM10795	2-2195-UT	5702
BGD		75-On	United Tech System	UT		191-1630	2-2244	5706
BGDL		75-On	United Tech System	UT		191-1630	2-2244	5706
CCK		79-On	Mitsubishi System	MI		MEA10-7	2-1738-MI-1	17332
CCKA		79-On	3-Bolt Mount	MI		MEA10-7	2-1738-MI-1	17332
CCKB		79-On	Mitsubishi System	MI		MEA10-7	2-1738-MI-1	17332
DJC		79-On	Mitsubishi System	MI		M2T55971	2-2093-MI	18168
DL3		83-On	Mitsubishi System	MI	2.0	M2T56071	2-1732-MI-1	17008
J Series		86-78	Prestolite System	PL		MHJ7103	2-2650-PL	5681
KV		All	UT System	UT		SM60209	2-2787-MT-2	5919
L317D		83-On	Mitsubishi System	MI	2.0	M2T56071	2-1732-MI-1	17008
L423		83-On	Mitsubishi System	MI	2.0	M2T56071	2-1732-MI-1	17008
L634		83-On	Mitsubishi System	MI	2.0	M2T56071	2-1732-MI-1	17008
MCE		75-On	United Tech System	UT		191-1630	2-2244	5706
MDL3		83-On	Mitsubishi System	MI	2.0	M2T56071	2-1732-MI-1	17008
MDL4		83-On	Mitsubishi System	MI	2.0	M2T56071	2-1732-MI-1	17008
MDL6		75-On	Mitsubishi System	MI	4.0	191-1550	2-2997-MI	18041
NH		75-On	Mitsubishi System	MI		MEA10-7	2-1738-MI-1	17332
NHA		79-On	Mitsubishi System	MI		MEA10-7	2-1738-MI-1	17332
NHAV		79-On	Mitsubishi System	MI		MEA10-7	2-1738-MI-1	17332
NHB		79-On	Mitsubishi System	MI		MEA10-7	2-1738-MI-1	17332
NHBV		79-On	Mitsubishi System	MI		MEA10-7	2-1738-MI-1	17332
NHC		79-On	Mitsubishi System	MI		MEA10-7	2-1738-MI-1	17332
NHCV		79-On	Mitsubishi System	MI		MEA10-7	2-1738-MI-1	17332
NHD		75-On	United Tech System	UT		191-1630	2-2244	5706
NHDL		75-On	United Tech System	UT		191-1630	2-2244	5706
NHE		75-On	United Tech System	UT		191-1630	2-2244	5706
NHEL		75-On	United Tech System	UT		191-1630	2-2244	5706
NHM		75-On	United Tech System	UT		191-1630	2-2244	5706
NHP		79-On	Mitsubishi System	MI		MEA10-7	2-1738-MI-1	17332
NHPV		79-On	Mitsubishi System	MI		MEA10-7	2-1738-MI-1	17332
P-216 / 218 / 220 / 224		88-On	Solenoid on Bottom	MI	0.8	191-1808-05	2-2668-MI	17312
			Solenoid on Side	MI		191-1808-04	2-1554-MI-1	17291
			United Tech System	UT		SM10795	2-2195-UT	5702
		79-On	United Tech System	UT		SM50827	2-2947	5704
P-227		88-On	Solenoid on Bottom	MI	0.8	191-1808-05	2-2668-MI	17312
			Solenoid on Side	MI		191-1808-04	2-1554-MI-1	17291

♦ See Buyer's Guide for Optional Units

Model	Engine	Year	Option	Mfg KW	OEM #	PART NO.	REF.
<b>ONAN - continued</b>							
<b>Engines - continued</b>							
RDJC		79-On	Mitsubishi System	MI	M2T55971	2-2093-MI	18168
RDJF		79-On	Mitsubishi System	MI	M2T55971	2-2093-MI	18168
<b>OWENS YACHT</b>							
<b>Inboard &amp; Sterndrive</b>							
Corvette		63-59	w/CCW	DR	1107696	2-2908-DR	4287
<b>PALMER</b>							
<b>Inboard &amp; Sterndrive</b>							
Various		63-61	w/Flange Mount w/CW	DR	1107688	2-1601-DR-2	3650
<b>PERKINS</b>							
<b>Engines - Marine</b>							
Various Models	Diesel Engines	All	Delco 20-27MT (12V; CW; 10-T)	DR	1998330	50-8404	4274
			Delco 20-27MT (12V; CW; 12-T)	DR	1998334	50-8410	6519
			Delco 20-27MT (12V; CW; 12-T)	DR	1109272	50-8410	6519
			Delco 28MT (12V; CW; 10-T)	DR	1113274	50-8405	6572
			Delco 28MT (12V; CW; 10-T)	DR	1113275	50-8406-2	6584
			Delco 28MT (12V; CW; 10-T)	DR	1113278	50-8406-2	6584
			Delco 28MT (12V; CW; 10-T)	DR	1113281	50-8404	6576
			Delco 28MT (12V; CW; 12-T)	DR	1113279	50-8410	6575
			Delco 28MT (12V; CW; 12-T)	DR	1113280	50-8410	6575
			Lucas Starter (12V; CW; 10-T)	LU 2.1	26282A	2-2301-LU	17644
Lucas Starter (12V; CW; 10-T)	LU 2.1	27417	2-2301-LU	17644			
<b>Inboard &amp; Sterndrive</b>							
4-108	4cyl	84-83	Delco 20-27MT (12V; CW; 12-T)	DR	1109272	50-8410	6519
4-154	4cyl	84-83	Delco 20-27MT (12V; CW; 12-T)	DR	1109272	50-8410	6519
4-236	4cyl	89-On	Delco 28MT (12V; CW; 10-T)	DR	1113281	50-8404	6576
		88-83	Delco 20-27MT (12V; CW; 10-T)	DR	1998330	50-8404	4274
TV8-540	8cyl	84-83	Delco 35MT (12V; CW; 10-T)	DR	1113672	50-159-1	3367
Various	4cyl	73-On	Lucas Starter (12V; CW; 10-T)	LU 2.1	26282A	2-2301-LU	17644
<b>PLEASURECRAFT</b>							
<b>Inboard &amp; Sterndrive</b>							
231CI, 3.8L	6cyl, 231ci, 3.8L	95-81	w/CW	DR		2-1591-DR ♦	3548
302CI, 5.0L	8cyl, 302ci, 5.0L	75-On	w/CCW	FD		2-2901-FD ♦	3134
			w/CW	FD		2-2900-FD	3162
305CI, 5.0L	8cyl, 305ci, 5.0L	95-76	w/Flange Mount w/CCW	DR		2-2752-DR-2	4304
			w/Flange Mount w/CW	DR		2-2591-DR-2	6440
			w/Offset Pad Mount w/CCW	DR		2-2924-DR	6439
			w/Offset Pad Mount w/CW	DR		2-2909-DR ♦	6423
			w/Straight Across Pad Mount	DR		2-1591-DR ♦	3548
			04-02	w/PMGR Starter	DR 1.7		2-1691-DR-2
350CI, 5.7L	8cyl, 350ci, 5.7L	95-76	w/Flange Mount w/CCW	DR		2-2752-DR-2	4304
			w/Flange Mount w/CW	DR		2-2591-DR-2	6440
			w/Offset Pad Mount w/CCW	DR		2-2924-DR	6439
			w/Offset Pad Mount w/CW	DR		2-2909-DR ♦	6423
			w/Straight Across Pad Mount	DR		2-1591-DR ♦	3548
			04-02	w/PMGR Starter	DR 1.7		2-1691-DR-2
351CI, 5.8L	8cyl, 351ci, 5.8L	75-On	w/CCW	FD		2-2901-FD ♦	3134
			w/CW	FD		2-2900-FD	3162
364CI, 6.0L	8cyl, 364ci, 6.0L	07-03	w/PMGR Starter	DR 1.6	9000887	2-2894-DR	6931
454CI, 7.4L	8cyl, 454ci, 7.4L	95-76	w/Flange Mount w/CCW	DR		2-2752-DR-2	4304
			w/Flange Mount w/CW	DR		2-2591-DR-2	6440
			w/Offset Pad Mount w/CCW	DR		2-2924-DR	6439
			w/Offset Pad Mount w/CW	DR		2-2909-DR ♦	6423
			w/Straight Across Pad Mount	DR	1108755	2-1591-DR ♦	3548
460CI, 7.5L	8cyl, 460ci, 7.5L	75-On	w/CCW	FD		2-2901-FD ♦	3134
			w/CW	FD		2-2900-FD	3162
496CI, 8.1L	8cyl, 496ci, 8.1L	04-01	w/PMGR Starter	DR 1.7		2-1691-DR-2	6562

♦ See Buyer's Guide for Optional Units

# STARTERS

Model	Engine	Year	Option	Mfg	KW	OEM #	PART NO.	REF.
<b>POLARIS</b>								
<b>All-Terrain Vehicle (ATV)</b>								
300 2X2	283cc	95-94	Mitsuba System	MT		3084403	<b>2-2183</b>	18331
300 2X4	283cc	95-94	Mitsuba System	MT		3084403	<b>2-2183</b>	18331
400L 2X4	378cc	95-94	Mitsuba System	MT		3084403	<b>2-2183</b>	18331
400L 4X4	378cc	95-94	Mitsuba System	MT		3084403	<b>2-2183</b>	18331
ATP 330 2x4	329cc	05-04	Mitsuba System	MT		3084981	<b>2-2502</b>	18645
ATP 500 HO 2x4	499cc	05-04	Mitsuba System	MT		3084981	<b>2-2502</b>	18645
ATV Pro 500 4x4 PPS	499cc	02	Mitsuba System	MT		3084981	<b>2-2502</b>	18645
Magnum 2X4	425cc	98-95	Mitsuba System	MT		3084981	<b>2-2502</b>	18645
Magnum 4X4	425cc	98-95	Mitsuba System	MT		3084981	<b>2-2502</b>	18645
Magnum 4X4 Norweigen	425cc	98-95	Mitsuba System	MT		3084981	<b>2-2502</b>	18645
Magnum 4X4 Swedish	425cc	98-95	Mitsuba System	MT		3084981	<b>2-2502</b>	18645
Magnum 325 2x4	325cc	02-00	Mitsuba System	MT		3084981	<b>2-2502</b>	18645
Magnum 325 4x4	325cc	02-00	Mitsuba System	MT		3084981	<b>2-2502</b>	18645
Magnum 330 2x4	329cc	05-03	Mitsuba System	MT		3084981	<b>2-2502</b>	18645
Magnum 330 4x4	329cc	06-03	Mitsuba System	MT		3084981	<b>2-2502</b>	18645
Magnum 500	499cc	03-99	Mitsuba System	MT		3084981	<b>2-2502</b>	18645
Predator 50	49cc	06-04	Mitsuba System	PO		0451805	<b>2-2498</b>	18646
Predator 90	89cc	06-04	Mitsuba System	MT		0451692	<b>2-2898-MT</b>	18644
		03	Mitsuba System	MT		0450533	<b>2-2898-MT</b>	18643
Scrambler 50	49cc	03-01	Mitsuba System	PO		0450532	<b>2-2498</b>	18642
Scrambler 90	89cc	03-01	Mitsuba System	MT		0450533	<b>2-2898-MT</b>	18643
Scrambler 400 2x4	378cc	02-97	Mitsuba System	MT		3085393	<b>2-2183</b>	18331
Scrambler 400 4x4	378cc	02-97	Mitsuba System	MT		3085393	<b>2-2183</b>	18331
Scrambler 400	378cc	96-95	Mitsuba System	MT		3084403	<b>2-2183</b>	18331
Scrambler 500 2x4	499cc	09-97	Mitsuba System	MT		3084981	<b>2-2502</b>	18645
Scrambler 500 4x4	499cc	09-97	Mitsuba System	MT		3084981	<b>2-2502</b>	18645
Sport 400	378cc	99-97	Mitsuba System	MT		3085393	<b>2-2183</b>	18331
		96-94	Mitsuba System	MT		3084403	<b>2-2183</b>	18331
Sportsman 90	89cc	06-04	Mitsuba System	MT		0451692	<b>2-2898-MT</b>	18644
		03-01	Mitsuba System	MT		0450533	<b>2-2898-MT</b>	18643
Sportsman 335	335cc	00-99	Mitsuba System	MT		3084981	<b>2-2502</b>	18645
Sportsman 400	378cc	97	Mitsuba System	MT		3085393	<b>2-2183</b>	18331
		96-94	Mitsuba System	MT		3084403	<b>2-2183</b>	18331
		05-01	Mitsuba System	MT		3084981	<b>2-2502</b>	18645
Sportsman 450	455cc	07-06	Mitsuba System	MT		3084981	<b>2-2502</b>	18645
Sportsman 500	499cc	02-96	Mitsuba System	MT		3084981	<b>2-2502</b>	18645
Sportsman 500 EFI	499cc	09-06	Mitsuba System	MT		3084981	<b>2-2502</b>	18645
Sportsman 500 EFI Touring	499cc	09-08	Mitsuba System	MT		3084981	<b>2-2502</b>	18645
Sportsman 500 EFI Touring Quad	499cc	09-08	Mitsuba System	MT		3084981	<b>2-2502</b>	18645
Sportsman 500 HO	499cc	09-01	Mitsuba System	MT		3084981	<b>2-2502</b>	18645
Sportsman 500 HO Duse	499cc	02-01	Mitsuba System	MT		3084981	<b>2-2502</b>	18645
Sportsman 500 HO Freedom	499cc	02	Mitsuba System	MT		3084981	<b>2-2502</b>	18645
Sportsman 500 HO RSE	499cc	02-01	Mitsuba System	MT		3084981	<b>2-2502</b>	18645
Sportsman 500 PSE HO	499cc	02	Mitsuba System	MT		3084981	<b>2-2502</b>	18645
Sportsman 500 RSE	499cc	00-99	Mitsuba System	MT		3084981	<b>2-2502</b>	18645
Sportsman 500 Swedish	499cc	98-96	Mitsuba System	MT		3084981	<b>2-2502</b>	18645
Sportsman 500 X	499cc	02	Mitsuba System	MT		3084981	<b>2-2502</b>	18645
Sportsman 600	597cc	04-03	Mitsuba System	MT		4010417	<b>2-2509</b>	18648
Sportsman 600 Twin	597cc	05-04	Mitsuba System	MT		4010417	<b>2-2509</b>	18648
Sportsman 700 EFI	683cc	07	Built 11/27/06-On	MT		4010417	<b>2-2509</b>	18648
			Built Before 11/27/06	MT		4011584	<b>2-2509</b>	18648
		06-02	Mitsuba System	MT		4010417	<b>2-2509</b>	18648
Sportsman 700 Twin	683cc	06-04	Mitsuba System	MT		4010417	<b>2-2509</b>	18648
Sportsman 700 Twin 4x4	683cc	06-04	Mitsuba System	MT		4010417	<b>2-2509</b>	18648
Sportsman 700 Twin EFI 4x4	683cc	06-04	Mitsuba System	MT		4010417	<b>2-2509</b>	18648
Sportsman 700 Twin Mossy Oak	683cc	06-04	Mitsuba System	MT		4010417	<b>2-2509</b>	18648
Sportsman 800 HO	760cc	09	Mitsuba System	MT		4012032	<b>2-2509</b>	18648
		08	Built Before 9/25/07	MT		4010417	<b>2-2509</b>	18648
			Built 9/25/07-On	MT		4011584	<b>2-2509</b>	18648

♦ See Buyer's Guide for Optional Units

Model	Engine	Year	Option	Mfg KW	OEM #	PART NO.	REF.
<b>POLARIS - continued</b>							
<b>All-Terrain Vehicle (ATV) - continued</b>							
Sportsman 800 Touring EFI	760cc	09	Mitsuba System	MT	4012032	2-2509	18648
		08	Mitsuba System	MT	4011584	2-2509	18648
Sportsman 800 Twin EFI	760cc	09	Mitsuba System	MT	4012032	2-2509	18648
		08	Mitsuba System	MT	4011584	2-2509	18648
		07	Built 11/27/06-On	MT	4010417	2-2509	18648
			Built Between 7/31/06 and 11/27/06	MT	4011584	2-2509	18648
		06-05	Mitsuba System	MT	4010417	2-2509	18648
Sportsman MV7	683cc	05	Mitsuba System	MT	4010417	2-2509	18648
Sportsman X2 500 EFI	499cc	09-06	Mitsuba System	MT	3084981	2-2502	18645
Sportsman X2 500 EFI Quad	499cc	08-07	Mitsuba System	MT	3084981	2-2502	18645
Sportsman X2 700 EFI	683cc	08	Built Before 10/2/07	MT	4010417	2-2509	18648
			Built 10/2/07-On	MT	4011584	2-2509	18648
Sportsman X2 800 EFI	760cc	09	Mitsuba System	MT	4012032	2-2509	18648
			Built 10/2/07-On	MT	4011584	2-2509	18648
		07	Built Before 10/2/07	MT	4010417	2-2509	18648
			Built 11/27/06-On	MT	4010417	2-2509	18648
			Built Between 7/31/06 and 11/27/06	MT	4011584	2-2509	18648
			Built Before 7/31/06	MT	4010417	2-2509	18648
Trail Blazer	244cc	02-96	Mitsuba System	MT	3085393	2-2183	18331
Trail Blazer 250	244cc	06-03	Mitsuba System	MT	3085393	2-2183	18331
Trail Blazer 330	329cc	09-08	Mitsuba System	MT	3084981	2-2502	18645
Trail Blazer 400	378cc	03	Mitsuba System	MT	3085393	2-2183	18331
Trail Boss	244cc	99-96	Mitsuba System	MT	3085393	2-2183	18331
		95-93	Mitsuba System	MT	3084403	2-2183	18331
	283cc	95-94	Mitsuba System	MT	3084403	2-2183	18331
	352cc	93-90	Mitsuba System	MT	3084403	2-2183	18331
Trail Boss 325	325cc	02-00	Mitsuba System	MT	3084981	2-2502	18645
Trail Boss 330	329cc	09-03	Mitsuba System	MT	3084981	2-2502	18645
Worker 335	335cc	99	Mitsuba System	MT	3084981	2-2502	18645
Worker 500	499cc	99	Mitsuba System	MT	3084981	2-2502	18645
XPlorer	244cc	00	Mitsuba System	MT	3085393	2-2183	18331
XPlorer 4x4	244cc	02-01	Mitsuba System	MT	3085393	2-2183	18331
XPlorer 300	283cc	99-96	Mitsuba System	MT	3085393	2-2183	18331
XPlorer 400	378cc	02-97	Mitsuba System	MT	3085393	2-2183	18331
		96-95	Mitsuba System	MT	3084403	2-2183	18331
XPlorer 500	499cc	97	Mitsuba System	MT	3084981	2-2502	18645
XPress 300	283cc	99-96	Mitsuba System	MT	3085393	2-2183	18331
XPress 400	378cc	97	Mitsuba System	MT	3085393	2-2183	18331
		96	Mitsuba System	MT	3084403	2-2183	18331
<b>Personal Watercraft (PWC)</b>							
Freedom	701cc	04-02	Mitsuba System	MT	4010675	2-2768-2	18330
Genesis	1165cc	02-99	Mitsuba System	MT	4060118	2-2768-2	18330
Genesis FFI	1165cc	00	Mitsuba System	MT	4060118	2-2768-2	18330
Genesis Ficht	1165cc	99	Mitsuba System	MT	4060118	2-2768-2	18330
Genesis I	1165cc	04-02	Mitsuba System	MT	4010675	2-2768-2	18330
		01	Mitsuba System	MT	4060118	2-2768-2	18330
Hurricane	701cc	97-96	Mitsuba System	MT	4060118	2-2768-2	18330
MSX 140	1192cc	04-03	Mitsuba System	MT	4010675	2-2768-2	18330
Octane	777cc	04-02	Mitsuba System	MT	4010675	2-2768-2	18330
Pro 785	779cc	00-99	Mitsuba System	MT	3240281	2-2768-1	18330
Pro 1200	1165cc	01-00	Mitsuba System	MT	4060118	2-2768-2	18330
SL 650	650cc	95-92	Mitsuba System	MT	3240110	2-2768-1	18330
SL 650 STD	650cc	95	Mitsuba System	MT	3240110	2-2768-1	18330
SL 700	701cc	97-96	Mitsuba System	MT	4060118	2-2768-2	18330
SL 700 Deluxe	701cc	97	Mitsuba System	MT	4060118	2-2768-2	18330
SL 750	750cc	95-93	Mitsuba System	MT	3240110	2-2768-1	18330
SL 780	779cc	97-96	Mitsuba System	MT	3240281	2-2768-1	18330
SL 900	900cc	97-96	Mitsuba System	MT	4060118	2-2768-2	18330
SL 1050	1051cc	97	Mitsuba System	MT	4060118	2-2768-2	18330

◆ See Buyer's Guide for Optional Units



# STARTERS

Model	Engine	Year	Option	Mfg	KW	OEM #	PART NO.	REF.
<b>POLARIS - continued</b>								
<b>Personal Watercraft (PWC) - continued</b>								
SLH	701cc	01-98	Mitsuba System	MT	4060118		2-2768-2	18330
SLT 700	701cc	97-96	Mitsuba System	MT	4060118		2-2768-2	18330
SLT 750	750cc	95-94	Mitsuba System	MT	3240110		2-2768-1	18330
SLT 780	779cc	97-96	Mitsuba System	MT	3240281		2-2768-1	18330
SLTH	701cc	99-98	Mitsuba System	MT	4060118		2-2768-2	18330
SLTX	1051cc	99-96	Mitsuba System	MT	4060118		2-2768-2	18330
SLX	1051cc	99	Mitsuba System	MT	4060118		2-2768-2	18330
	1165cc	01-00	Mitsuba System	MT	4060118		2-2768-2	18330
SLX 780	779cc	96-95	Mitsuba System	MT	3240281		2-2768-1	18330
SLX Pro 785	779cc	98-97	Mitsuba System	MT	3240281		2-2768-1	18330
SLXH	1051cc	98	Mitsuba System	MT	4060118		2-2768-2	18330
Virage	701cc	04-02	Mitsuba System	MT	4010675		2-2768-2	18330
		01-00	Mitsuba System	MT	4060118		2-2768-2	18330
Virage I	777cc	04-02	Mitsuba System	MT	4010675		2-2768-2	18330
Virage TX	1165cc	02-00	Mitsuba System	MT	4060118		2-2768-2	18330
Virage TXI	1165cc	02-01	Mitsuba System	MT	4060118		2-2768-2	18330
Wave Runner	650, 750, 900, 1100cc	All	Mitsuba System	MT	3240110		2-2768-1	18330
<b>Snowmobiles</b>								
340 Classic	339cc	06-04	UT System	UT	4170006		2-2146	5768
340 Edge	339cc	03	UT System	UT	4170006		2-2146	5768
340 Edge Classic	339cc	03	UT System	UT	4170006		2-2146	5768
340 Edge LX	339cc	07	UT System	UT	2410748		2-2146	5768
340 Edge Touring	339cc	07	UT System	UT	2410748		2-2146	5768
		06-05	UT System	UT	4170006		2-2146	5768
340 Indy	339cc	04-99	UT System	UT	4170006		2-2146	5768
340 Indy Deluxe	339cc	99	UT System	UT	4170006		2-2146	5768
500 Classic	488cc	06-97	UT System	UT	4170006		2-2146	5768
500 Classic Touring	488cc	03-97	UT System	UT	4170006		2-2146	5768
500 XC Edge F/O	488cc	03	UT System	UT	4170006		2-2146	5768
500 XC Special	500cc	07-03	UT System	UT	4170006		2-2146	5768
500 XC Special F/O	488cc	02	UT System	UT	4170006		2-2146	5768
550 Classic	544cc	06-02	UT System	UT	4170006		2-2146	5768
550 LX	544cc	08-07	UT System	UT	2410748		2-2146	5768
550 Transport	544cc	09	UT System	UT	2410748		2-2146	5768
600 Classic	599cc	06-01	UT System	UT	4170006		2-2146	5768
600 Classic Touring	599cc	04-01	UT System	UT	4170006		2-2146	5768
600 Edge Touring	599cc	06-05	UT System	UT	4170006		2-2146	5768
600 RMK	599cc	06-04	UT System	UT	4170006		2-2146	5768
600 Switchback	599cc	06-04	UT System	UT	4170006		2-2146	5768
600 Touring	599cc	00	UT System	UT	4170006		2-2146	5768
600 XC Deluxe	599cc	00	UT System	UT	4170006		2-2146	5768
600 XC Edge	599cc	03	UT System	UT	4170006		2-2146	5768
600 XC Special	599cc	05-03	UT System	UT	4170006		2-2146	5768
600 XC Special F/O	599cc	02	UT System	UT	4170006		2-2146	5768
700 Classic	700cc	05-01	UT System	UT	4170006		2-2146	5768
700 Classic Touring	700cc	04-03	UT System	UT	4170006		2-2146	5768
700 Edge RMK	700cc	03	UT System	UT	4170006		2-2146	5768
700 RMK	700cc	05-03	UT System	UT	4170006		2-2146	5768
700 RMK F/O	700cc	02	UT System	UT	4170006		2-2146	5768
700 SKS	700cc	03	UT System	UT	4170006		2-2146	5768
700 Switchback	700cc	04	UT System	UT	4170006		2-2146	5768
700 XC Edge	700cc	04-03	UT System	UT	4170006		2-2146	5768
700 XC Special	700cc	05-02	UT System	UT	4170006		2-2146	5768
800 Classic	794cc	04	UT System	UT	4170006		2-2146	5768
800 Classic Touring	794cc	04-03	UT System	UT	4170006		2-2146	5768
800 Edge Touring	794cc	05	UT System	UT	4170006		2-2146	5768
800 RMK	794cc	05-03	UT System	UT	4170006		2-2146	5768
800 SKS	794cc	03	UT System	UT	4170006		2-2146	5768
800 Switchback	794cc	05-04	UT System	UT	4170006		2-2146	5768

♦ See Buyer's Guide for Optional Units

Model	Engine	Year	Option	Mfg KW	OEM #	PART NO.	REF.	
<b>POLARIS - continued</b>								
<b>Snowmobiles - continued</b>								
800 XC Edge	794cc	04-03	UT System	UT	4170006	2-2146	5768	
800 XC Special	794cc	05-02	UT System	UT	4170006	2-2146	5768	
Frontier Classic	784cc	04-03	Mitsuba System	MT	4010417	2-2509	18648	
Frontier Touring	784cc	05-03	Mitsuba System	MT	4010417	2-2509	18648	
Lite	339cc	98-97	UT System	UT	4170006	2-2146	5768	
Lite Deluxe	339cc	98-97	UT System	UT	4170006	2-2146	5768	
Sport Touring ES	544cc	01	UT System	UT	4170006	2-2146	5768	
Supersport	544cc	06-03	UT System	UT	4170006	2-2146	5768	
Trail RMK	544cc	09	UT System	UT	2410748	2-2146	5768	
		06-04	UT System	UT	4170006	2-2146	5768	
Trail Touring	488cc	99-97	UT System	UT	4170006	2-2146	5768	
		544cc	08-07	UT System	UT	2410748	2-2146	5768
			06-00	UT System	UT	4170006	2-2146	5768
Trail Touring DLX	750cc	09	UT System	UT	2410748	2-2146	5768	
Ultra Touring	679cc	98-97	UT System	UT	4170006	2-2146	5768	
Widetrak LX	488cc	09-07	UT System	UT	2410748	2-2146	5768	
		06-97	UT System	UT	4170006	2-2146	5768	
XLT Classic	599cc	99-98	UT System	UT	4170006	2-2146	5768	
XLT Touring	599cc	99-97	UT System	UT	4170006	2-2146	5768	
<b>Utility Vehicle (UTV)</b>								
Big Boss 250 6X6	244cc	93-89	Mitsuba System	MT	3084403	2-2183	18331	
Big Boss 300 6X6	283cc	94	Mitsuba System	MT	3084403	2-2183	18331	
Big Boss 350 6X6	352cc	93	Mitsuba System	MT	3084403	2-2183	18331	
Big Boss 400 6X6	378cc	97	Mitsuba System	MT	3085393	2-2183	18331	
		96-94	Mitsuba System	MT	3084403	2-2183	18331	
Big Boss 500 6X6	499cc	99-98	Mitsuba System	MT	3084981	2-2502	18645	
Big Boss 500 6X6 INT'L	499cc	02-99	Mitsuba System	MT	3084981	2-2502	18645	
Big Boss 500 6X6 Norweigen	499cc	98	Mitsuba System	MT	3084981	2-2502	18645	
Big Boss 500 6X6 Swedish	499cc	98	Mitsuba System	MT	3084981	2-2502	18645	
Magnum 6X6	425cc	97-96	Mitsuba System	MT	3084981	2-2502	18645	
Magnum 6X6 Swedish	425cc	97-96	Mitsuba System	MT	3084981	2-2502	18645	
Ranger 2X4	425cc	04-01	Mitsuba System	MT	3084981	2-2502	18645	
	499cc	09-05	Mitsuba System	MT	3084981	2-2502	18645	
Ranger 4X4	499cc	09-01	Mitsuba System	MT	3084981	2-2502	18645	
Ranger 4x4 700	683cc	09	Mitsuba System	MT	4012032	2-2509	18648	
		08	Mitsuba System	MT	4010417	2-2509	18648	
		07	Built 11/27/06-On	MT	4010417	2-2509	18648	
			Built Between 7/31/06 and 11/27/06	MT	4011584	2-2509	18648	
		Built Before 7/31/06	MT	4010417	2-2509	18648		
06-05	Mitsuba System	MT	4010417	2-2509	18648			
Ranger 4X4 EFI	499cc	07	Mitsuba System	MT	3084981	2-2502	18645	
Ranger 6X6	499cc	05-98	Mitsuba System	MT	3084981	2-2502	18645	
Ranger 6X6 EFI	683cc	09	Mitsuba System	MT	4012032	2-2509	18648	
		08	Mitsuba System	MT	4010417	2-2509	18648	
		07	Built 11/27/06-On	MT	4010417	2-2509	18648	
			Built Between 7/31/06 and 11/27/06	MT	4011584	2-2509	18648	
		Built Before 7/31/06	MT	4010417	2-2509	18648		
		06	Mitsuba System	MT	4010417	2-2509	18648	
Ranger RZR 800 EFI	760cc	09-08	Mitsuba System	MT	4010417	2-2509	18648	
Sportsman 6x6	499cc	09	Mitsuba System	MT	4012032	2-2509	18648	
		08-00	Mitsuba System	MT	3084981	2-2502	18645	
<b>RENAULT COUACH</b>								
<b>Inboard &amp; Stern Drive</b>								
RC240DTS		70-On		BO 6.6	0-001-411-009	2-2622-BO	18375	
<b>ROTAX MARINE - BRP</b>								
<b>Engines</b>								
587 Rotax Engine, 2 Stroke	581cc	96-95	Denso System	ND	278-000-484	2-2147	18415	
		94-89	Denso System	ND	278-000-316	2-2145-ND	17605	

◆ See Buyer's Guide for Optional Units

# STARTERS

Model	Engine	Year	Option	Mfg	KW	OEM #	PART NO.	REF.
<b>ROTAX MARINE - BRP - continued</b>								
<b>Engines - continued</b>								
657 Rotax Engine, 2 Stroke	650cc	96-95	Denso System	ND		278-000-484	<b>2-2147</b>	18415
		94-93	Denso System	ND		278-000-316	<b>2-2145-ND</b>	17605
717 Rotax Engine, 2 Stroke	718cc	05-95	Denso System	ND		278-000-484	<b>2-2147</b>	18415
787 RFI Rotax Engine, 2 Stroke	782cc	98	Denso System	ND		278-000-577	<b>2-2151</b>	18416
		05-99	Denso System	ND		278-001-497	<b>2-2769-ND-2</b>	18531
787 Rotax Engine, 2 Stroke	782cc	99-95	Denso System	ND		278-000-577	<b>2-2151</b>	18416
947 Rotax Engine, 2 Stroke	951cc	07-98	Mitsuba System	MT		278-001-937	<b>2-2153</b>	18399
1503 Rotax Engine, 4 Stroke	1494cc	07-03	Mitsuba System	MT		420-888-994	<b>2-2790-MT-2</b>	18532
		02	Mitsuba System	MT		290-888-993	<b>2-2790-MT-2</b>	18532

## SABO

<b>Tractors - Lawn</b>								
97-14HS	Briggs & Stratton 14HP	All	Briggs & Stratton System	BS		497595	<b>2-2188</b>	5742

## SCOTT'S

<b>Tractors - Lawn</b>								
L2048	Briggs & Stratton 20HP	02-On	Briggs & Stratton System	BS		LG691262	<b>2-2191</b>	5746
L2548	Briggs & Stratton 25HP	02-On	Briggs & Stratton System	BS		LG691262	<b>2-2191</b>	5746
S2046	Briggs & Stratton 20HP	99-On	Briggs & Stratton System	BS		LG691262	<b>2-2191</b>	5746
S2048	Kohler 20HP	99-On		UT		AM122435	<b>2-2241</b>	5770
S2348	Kohler 23HP	01-00		UT		AM130407	<b>2-2756-UT-2</b>	5802
S2546	Briggs & Stratton 25HP	00-99	Briggs & Stratton System	BS		LG691262	<b>2-2191</b>	5746
S2554	Kohler 25HP	99-On	Denso System	ND	0.6	AM108390	<b>2-2022-ND</b>	17628
S2554GT	Kohler 25HP	All	Denso System	ND	0.6	AM108390	<b>2-2022-ND</b>	17628

## SEA-DOO

<b>Personal Watercraft (PWC)</b>								
3D DI	782cc	05-04	Denso System	ND		278-001-936	<b>2-2769-ND-2</b>	18531
	951cc	07-06	Mitsuba System	MT		278-001-937	<b>2-2153</b>	18399
	1494cc	07	Mitsuba System	MT		420-888-994	<b>2-2790-MT-2</b>	18532
GS	718cc	01-98	Denso System	ND		278-001-300	<b>2-2147</b>	18415
		97	Denso System	ND		278-000-485	<b>2-2147</b>	18415
GSI	718cc	97	Denso System	ND		278-000-485	<b>2-2147</b>	18415
GSX	782cc	97	Denso System	ND		278-001-038	<b>2-2151</b>	18416
		96	Denso System	ND		278-000-577	<b>2-2151</b>	18416
GSX LTD	951cc	99-98	Mitsuba System	MT		278-000-987	<b>2-2153</b>	18399
GSX RFI	782cc	01-99	Denso System	ND		278-001-497	<b>2-2769-ND-2</b>	18531
GTI	718cc	05-04	Denso System	ND		278-001-935	<b>2-2147</b>	18415
		03-98	Denso System	ND		278-001-300	<b>2-2147</b>	18415
		97	3-Passenger	ND		278-000-485	<b>2-2147</b>	18415
		96	2 Passenger	ND		278-000-485	<b>2-2147</b>	18415
				3-Passenger	ND		278-000-485	<b>2-2147</b>
	1494cc	08-06	Mitsuba System	MT		420-888-994	<b>2-2790-MT-2</b>	18532
GTI LE	718cc	04	Denso System	ND		278-001-935	<b>2-2147</b>	18415
		03-02	Denso System	ND		278-001-300	<b>2-2147</b>	18415
	782cc	05	Denso System	ND		278-001-936	<b>2-2769-ND-2</b>	18531
GTI RFI	782cc	05-04	Denso System	ND		278-001-936	<b>2-2769-ND-2</b>	18531
		03	Denso System	ND		278-001-497	<b>2-2769-ND-2</b>	18531
GTI SE	1494cc	07-06	Mitsuba System	MT		420-888-994	<b>2-2790-MT-2</b>	18532
GTS	581cc	94-93	Denso System	ND		278-000-316	<b>2-2145-ND</b>	17605
		92	Denso System	ND		278-000-186	<b>2-2145-ND</b>	17605
	718cc	01-98	Denso System	ND		278-001-300	<b>2-2147</b>	18415
		97	Denso System	ND		278-000-485	<b>2-2147</b>	18415
GTS - 2-Passenger	581cc	95	Denso System	ND		278-000-485	<b>2-2147</b>	18415
GTS - 3-Passenger	581cc	96-95	Denso System	ND		278-000-485	<b>2-2147</b>	18415
GTX	581cc	92	Denso System	ND		278-000-186	<b>2-2145-ND</b>	17605
	650cc	94-93	Denso System	ND		278-000-316	<b>2-2145-ND</b>	17605
	782cc	97	Denso System	ND		278-001-038	<b>2-2151</b>	18416
		96	Denso System	ND		278-000-577	<b>2-2151</b>	18416
	951cc	02-98	Mitsuba System	MT		278-000-987	<b>2-2153</b>	18399
GTX - 2-Passenger	650cc	95	Denso System	ND		278-000-485	<b>2-2147</b>	18415

♦ See Buyer's Guide for Optional Units

Model	Engine	Year	Option	Mfg KW	OEM #	PART NO.	REF.
<b>SEA-DOO - continued</b>							
<b>Personal Watercraft (PWC) - continued</b>							
GTX - 3-Passenger	650cc	95	Denso System	ND	278-000-485	2-2147	18415
GTX 155	1494cc	08	Mitsuba System	MT	420-888-994	2-2790-MT-2	18532
GTX 215	1494cc	08	Mitsuba System	MT	420-888-996	2-2790-MT-2	18532
GTX 4-TEC	1494cc	08-03	Mitsuba System	MT	420-888-994	2-2790-MT-2	18532
		02	Mitsuba System	MT	290-888-993	2-2790-MT-2	18532
GTX DI	951cc	03-00	Mitsuba System	MT	278-000-987	2-2153	18399
GTX RFI	782cc	02-99	Denso System	ND	278-001-497	2-2769-ND-2	18531
		98	Denso System	ND	278-001-301	2-2151	18416
GTX Wake	1494cc	07-05	Mitsuba System	MT	420-888-994	2-2790-MT-2	18532
GTX Wake 155	1494cc	08-05	Mitsuba System	MT	420-888-994	2-2790-MT-2	18532
GTX Wake 215	1494cc	08	Mitsuba System	MT	420-888-996	2-2790-MT-2	18532
HX	718cc	97-95	Denso System	ND	278-000-485	2-2147	18415
LRV	951cc	01-00	Mitsuba System	MT	278-000-987	2-2153	18399
LRV DI	951cc	03-02	Mitsuba System	MT	278-000-987	2-2153	18399
RX	951cc	02-00	Mitsuba System	MT	278-000-987	2-2153	18399
RX DI	951cc	03-00	Mitsuba System	MT	278-000-987	2-2153	18399
RX X	951cc	01	Mitsuba System	MT	278-000-987	2-2153	18399
RXP	1494cc	07-04	Mitsuba System	MT	420-888-994	2-2790-MT-2	18532
RXP 155	1494cc	08	Mitsuba System	MT	420-888-994	2-2790-MT-2	18532
RXP 215	1494cc	08	Mitsuba System	MT	420-888-996	2-2790-MT-2	18532
RXP X 255	1494cc	08	Mitsuba System	MT	420-888-996	2-2790-MT-2	18532
RXT	1494cc	07-05	Mitsuba System	MT	420-888-994	2-2790-MT-2	18532
RXT 215	1494cc	08	Mitsuba System	MT	420-888-996	2-2790-MT-2	18532
RXT 255	1494cc	08	Mitsuba System	MT	420-888-996	2-2790-MT-2	18532
SP	581cc	96-95	Denso System	ND	278-000-485	2-2147	18415
		94-93	Denso System	ND	278-000-316	2-2145-ND	17605
		92	Denso System	ND	278-000-186	2-2145-ND	17605
	718cc	97	Denso System	ND	278-000-485	2-2147	18415
SPI	581cc	96-95	Denso System	ND	278-000-485	2-2147	18415
		94-93	Denso System	ND	278-000-316	2-2145-ND	17605
SPX	581cc	93	Denso System	ND	278-000-316	2-2145-ND	17605
	650cc	95	Denso System	ND	278-000-485	2-2147	18415
		94	Denso System	ND	278-000-316	2-2145-ND	17605
	718cc	96	Denso System	ND	278-000-485	2-2147	18415
	782cc	99-98	Denso System	ND	278-001-301	2-2151	18416
97		Denso System	ND	278-000-485	2-2147	18415	
XP	581cc	92	Denso System	ND	278-000-186	2-2145-ND	17605
	650cc	94-93	Denso System	ND	278-000-316	2-2145-ND	17605
	718cc	95	Denso System	ND	278-000-485	2-2147	18415
	782cc	97	Denso System	ND	278-001-038	2-2151	18416
		96-95	Denso System	ND	278-000-577	2-2151	18416
951cc	02-98	Mitsuba System	MT	278-000-987	2-2153	18399	
XP DI	951cc	04-03	Mitsuba System	MT	278-001-937	2-2153	18399
<b>Sportboats</b>							
Challenger		07-04	Mitsuba System	MT	420-888-994	2-2790-MT-2	18532
		99	Denso System	ND	278-001-301	2-2151	18416
		98	Exc. Challenger 1800	ND	278-000-485	2-2147	18415
			Challenger 1800	ND	278-001-038	2-2151	18416
		97	Denso System	ND	278-001-038	2-2151	18416
96	Denso System	ND	278-000-577	2-2151	18416		
Challenger 180		08	Mitsuba System	MT	420-888-996	2-2790-MT-2	18532
Challenger 230		08	Standard Engine	MT	420-888-994	2-2790-MT-2	18532
			Optional Engine	MT	420-888-996	2-2790-MT-2	18532
Explorer		97-95	Denso System	ND	278-000-485	2-2147	18415
		94-93	Denso System	ND	278-000-316	2-2145-ND	17605
Islandia		08	Mitsuba System	MT	420-888-996	2-2790-MT-2	18532
		07-04	Mitsuba System	MT	420-888-994	2-2790-MT-2	18532

◆ See Buyer's Guide for Optional Units

# STARTERS

Model	Engine	Year	Option	Mfg	KW	OEM #	PART NO.	REF.
<b>SEA-DOO - continued</b>								
<b>Sportboats - continued</b>								
Speedster		07-04	Mitsuba System	MT		420-888-994	<b>2-2790-MT-2</b>	18532
		99	SK Models	ND		278-000-485	<b>2-2147</b>	18415
			Exc. SK Models	ND		278-001-301	<b>2-2151</b>	18416
		98	Denso System	ND		278-001-038	<b>2-2151</b>	18416
		97-95	Denso System	ND		278-000-485	<b>2-2147</b>	18415
			94	Denso System	ND		278-000-316	<b>2-2145-ND</b>
Speedster 150		08	155 Engine	MT		420-888-994	<b>2-2790-MT-2</b>	18532
			215 Engine	MT		420-888-996	<b>2-2790-MT-2</b>	18532
Speedster 200		08	310 Engine	MT		420-888-994	<b>2-2790-MT-2</b>	18532
			430 Engine	MT		420-888-996	<b>2-2790-MT-2</b>	18532
Speedster Wake		08	310 Engine	MT		420-888-994	<b>2-2790-MT-2</b>	18532
			430 Engine	MT		420-888-996	<b>2-2790-MT-2</b>	18532
Sportster		06-03	LE Models	MT		278-001-937	<b>2-2153</b>	18399
			4-TEC Models	MT		420-888-994	<b>2-2790-MT-2</b>	18532
		02-00	LE Models	MT		278-001-937	<b>2-2153</b>	18399
		99-95	Denso System	ND		278-000-485	<b>2-2147</b>	18415
		94	Denso System	ND		278-000-316	<b>2-2145-ND</b>	17605
Utopia		08	310 Engine	MT		420-888-994	<b>2-2790-MT-2</b>	18532
			430 Engine	MT		420-888-996	<b>2-2790-MT-2</b>	18532
		07-04	Mitsuba System	MT		420-888-994	<b>2-2790-MT-2</b>	18532

# SKI-DOO

## Snowmobiles

Expedition 600 HO SDI	597cc	05	Denso System	ND		515-176-003	<b>2-3082-ND</b>	18875
Expedition TUV-600 SDI	597cc	06	Denso System	ND		515-176-003	<b>2-3082-ND</b>	18875
Grand Touring 500	503cc	03	Unit Repl by 515-176-003	ND		515-175-843	<b>2-3082-ND</b>	18875
		02	Unit Repl by 515-176-003	ND		515-175-562	<b>2-3082-ND</b>	18875
Grand Touring 500 Sport	503cc	03	Denso System	ND		515-175-843	<b>2-3082-ND</b>	18875
Grand Touring 600	597cc	03	Unit Repl by 515-176-003	ND		515-175-843	<b>2-3082-ND</b>	18875
		02	Unit Repl by 515-176-003	ND		515-175-562	<b>2-3082-ND</b>	18875
Grand Touring 600 SE	597cc	03	Denso System	ND		515-175-843	<b>2-3082-ND</b>	18875
Grand Touring 600 Sport	597cc	03	Denso System	ND		515-175-843	<b>2-3082-ND</b>	18875
Grand Touring 700	698cc	03	Unit Repl by 515-176-003	ND		515-175-843	<b>2-3082-ND</b>	18875
		02	Unit Repl by 515-176-003	ND		515-175-562	<b>2-3082-ND</b>	18875
Grand Touring 700 SE	698cc	03	Denso System	ND		515-175-843	<b>2-3082-ND</b>	18875
Grand Touring 700 Sport	698cc	03	Denso System	ND		515-175-843	<b>2-3082-ND</b>	18875
Grand Touring 800	796cc	02	Unit Repl by 515-176-003	ND		515-175-562	<b>2-3082-ND</b>	18875
Grand Touring 800 SE SDI	796cc	03	Unit Repl by 515-176-003	ND		515-175-843	<b>2-3082-ND</b>	18875
GSX 500F	494cc	06-05	Denso System	ND		515-176-003	<b>2-3082-ND</b>	18875
GSX 500SS	494cc	06-04	Denso System	ND		515-176-003	<b>2-3082-ND</b>	18875
GSX 600	597cc	05-04	Denso System	ND		515-176-003	<b>2-3082-ND</b>	18875
GSX 600 Sport	597cc	06	Denso System	ND		515-176-003	<b>2-3082-ND</b>	18875
GSX 800	796cc	06-04	Denso System	ND		515-176-003	<b>2-3082-ND</b>	18875
GTX 500F	494cc	05	Denso System	ND		515-176-003	<b>2-3082-ND</b>	18875
GTX 500SS	494cc	06-05	Denso System	ND		515-176-003	<b>2-3082-ND</b>	18875
GTX 600	597cc	05	Denso System	ND		515-176-003	<b>2-3082-ND</b>	18875
GTX 800	796cc	06-05	Denso System	ND		515-176-003	<b>2-3082-ND</b>	18875
Legend 500 Sport	494cc	03-02	Denso System	ND		515-175-843	<b>2-3082-ND</b>	18875
Legend 500 SS	494cc	04	Denso System	ND		515-176-003	<b>2-3082-ND</b>	18875
Legend 600	597cc	02	Unit Repl by 515-176-003	ND		515-175-562	<b>2-3082-ND</b>	18875
Legend 600 HO SDI	597cc	04	Denso System	ND		515-176-003	<b>2-3082-ND</b>	18875
Legend 600 SE	597cc	03	Denso System	ND		515-175-843	<b>2-3082-ND</b>	18875
Legend 600 Sport	597cc	03	Denso System	ND		515-175-843	<b>2-3082-ND</b>	18875
Legend 700	698cc	04	Denso System	ND		515-176-003	<b>2-3082-ND</b>	18875
Legend 700 GS	698cc	02	Unit Repl by 515-176-003	ND		515-175-562	<b>2-3082-ND</b>	18875
Legend 700 SE	698cc	03	Denso System	ND		515-175-843	<b>2-3082-ND</b>	18875
Legend 700 Sport	698cc	03-02	Denso System	ND		515-175-843	<b>2-3082-ND</b>	18875
Legend 800 SDI	796cc	04	Denso System	ND		515-176-003	<b>2-3082-ND</b>	18875
Legend 800 SE	796cc	02	Unit Repl by 515-176-003	ND		515-175-562	<b>2-3082-ND</b>	18875

♦ See Buyer's Guide for Optional Units

Model	Engine	Year	Option	Mfg KW	OEM #	PART NO.	REF.
<b>SKI-DOO - continued</b>							
<b>Snowmobiles - continued</b>							
Legend 800 SE SDI	796cc	03	Denso System	ND	515-175-843	<b>2-3082-ND</b>	18875
MX Z 500 Adrenaline	494cc	03	Denso System	ND	515-175-843	<b>2-3082-ND</b>	18875
MX Z 500 Trail	494cc	03	Denso System	ND	515-175-843	<b>2-3082-ND</b>	18875
MX Z 500SS Adrenaline	494cc	05-04	Denso System	ND	515-176-003	<b>2-3082-ND</b>	18875
MX Z 500SS Trail	494cc	06-04	Denso System	ND	515-176-003	<b>2-3082-ND</b>	18875
MX Z 550 Fan	553cc	06-04	Denso System	ND	515-176-003	<b>2-3082-ND</b>	18875
MX Z 600 Adrenaline HO	594cc	06-04	Denso System	ND	515-176-003	<b>2-3082-ND</b>	18875
		03	Denso System	ND	515-175-843	<b>2-3082-ND</b>	18875
MX Z 600 Adrenaline HO SDI	594cc	06-05	Denso System	ND	515-176-003	<b>2-3082-ND</b>	18875
MX Z 600 Renegade HO	594cc	05-04	Denso System	ND	515-176-003	<b>2-3082-ND</b>	18875
		03	Denso System	ND	515-175-843	<b>2-3082-ND</b>	18875
MX Z 600 Renegade HO SDI	594cc	06-05	Denso System	ND	515-176-003	<b>2-3082-ND</b>	18875
MX Z 600 Renegade X	594cc	06-04	Denso System	ND	515-176-003	<b>2-3082-ND</b>	18875
MX Z 600 Sport HO	594cc	03	Denso System	ND	515-175-843	<b>2-3082-ND</b>	18875
MX Z 600 Trail	597cc	03	Denso System	ND	515-175-843	<b>2-3082-ND</b>	18875
MX Z 600 X HO	594cc	06-04	Denso System	ND	515-176-003	<b>2-3082-ND</b>	18875
		03-01	Denso System	ND	515-175-843	<b>2-3082-ND</b>	18875
MX Z REV 007 Bond Special ED	594cc	03	Denso System	ND	515-175-843	<b>2-3082-ND</b>	18875
MX Z 600 Trail HO	597cc	05-04	Denso System	ND	515-176-003	<b>2-3082-ND</b>	18875
MX Z 700 Adrenaline	698cc	03	Denso System	ND	515-175-843	<b>2-3082-ND</b>	18875
MX Z 800 Adrenaline HO & X	799cc	06-04	Denso System	ND	515-176-003	<b>2-3082-ND</b>	18875
		03	Unit Repl by 515-176-003	ND	515-175-843	<b>2-3082-ND</b>	18875
MX Z 800 Renegade	799cc	03	Denso System	ND	515-175-843	<b>2-3082-ND</b>	18875
MX Z 800 Renegade HO & X	799cc	06-04	Denso System	ND	515-176-003	<b>2-3082-ND</b>	18875
MX Z 800 Sport	799cc	03	Denso System	ND	515-175-843	<b>2-3082-ND</b>	18875
MX Z 800 X	799cc	03-01	Denso System	ND	515-175-843	<b>2-3082-ND</b>	18875
MX ZX 600 HO SDI	597cc	06	Denso System	ND	515-176-003	<b>2-3082-ND</b>	18875
Scandic 600 SUV	597cc	06-04	Denso System	ND	515-176-003	<b>2-3082-ND</b>	18875
		03	Denso System	ND	515-175-843	<b>2-3082-ND</b>	18875
Scandic Wide Track 600	597cc	06-04	Denso System	ND	515-176-003	<b>2-3082-ND</b>	18875
		03	Denso System	ND	515-175-843	<b>2-3082-ND</b>	18875
		02-01	Unit Repl by 515-176-003	ND	515-175-562	<b>2-3082-ND</b>	18875
Summit 800	799cc	06-05	Denso System	ND	515-176-003	<b>2-3082-ND</b>	18875

## SUZUKI

### All-Terrain Vehicle (ATV)

LT80 (H thru K2) QuadSport	82cc	06-87	Mitsuba System	MT	31100-40B01	<b>2-2186-MT</b>	18332
LT160 Quadrunner	160cc	04-03	Mitsuba System	MT	31100-02C10	<b>2-2765-MT-2</b>	18808
LT160E (M,N) Quadrunner	160cc	92-91	Mitsuba System	MT	31100-02C01	<b>2-2765-MT-2</b>	18808
LT160E (K,L) Quadrunner	160cc	90-89	Mitsuba System	MT	31100-02C00	<b>2-2765-MT-2</b>	18808
LT230E (M,N,P) Quadrunner	230cc	93-91	Mitsuba System	MT	31100-35B11	<b>2-2765-MT-2</b>	18808
LT230E (J,K,L) Quadrunner	230cc	90-88	Mitsuba System	MT	31100-35B10	<b>2-2765-MT-2</b>	18808
LT230E (H) Quadrunner	230cc	87	Mitsuba System	MT	31100-35B00	<b>2-2765-MT-2</b>	18808
LT250E (F) Quadrunner	250cc	85	Denso System	ND	31100-38300	<b>2-2767-ND-2</b>	18793
LT250EF (G) Quadrunner	250cc	86	Denso System	ND	31100-38300	<b>2-2767-ND-2</b>	18793
LT250EF (F) Quadrunner	250cc	85	Denso System	ND	31100-38300	<b>2-2767-ND-2</b>	18793
LT300E (K) Quadrunner	300cc	89	Mitsuba System	ND	31100-38300-H17	<b>2-2767-ND-2</b>	18794
LT300E (H,J) Quadrunner	300cc	88-87	Mitsuba System	ND	31100-38300-H17	<b>2-2767-ND-2</b>	18794
LT-4WD (W) Quadrunner	250cc	98	Mitsuba System	MT	31100-19B12	<b>2-2766-MT-2</b>	18807
LT-4WD (V) Quadrunner	250cc	97	Mitsuba System	MT	31100-19B11	<b>2-2766-MT-2</b>	18807
LT-4WD (T) Quadrunner	250cc	96	Mitsuba System	MT	31100-19B11	<b>2-2766-MT-2</b>	18807
LT-4WD (N,P,R,S) Quadrunner	250cc	95-92	Mitsuba System	MT	31100-19B11	<b>2-2766-MT-2</b>	18807
LT-4WD (L,M) Quadrunner	250cc	91-90	Mitsuba System	MT	31100-19B11	<b>2-2766-MT-2</b>	18807
LT-4WD (J,K) Quadrunner	250cc	89-88	Mitsuba System	MT	31100-19B11	<b>2-2766-MT-2</b>	18807
LT-4WD (H) Quadrunner	250cc	87	Mitsuba System	MT	31100-19B00	<b>2-2766-MT-2</b>	18807
LT-A400, F, C (K2-K8) Eiger	376cc	08-02	Mitsuba System	MT	31100-38F00	<b>2-3150-MT</b>	18809
LT-A500F, B, C (K1-K7) Vinson	493cc	07-02	Mitsuba System	MT	31100-44D21	<b>2-2408</b>	18796
LT-A500F (Y) Quadmaster	500cc	01-00	Mitsuba System	MT	31100-44D10	<b>2-2408</b>	18796
LT-F160 (K) Quadrunner	160cc	01	Mitsuba System	MT	31100-02C10	<b>2-2765-MT-2</b>	18808

◆ See Buyer's Guide for Optional Units

# STARTERS

Model	Engine	Year	Option	Mfg	KW	OEM #	PART NO.	REF.
<b>SUZUKI - continued</b>								
<b>All-Terrain Vehicle (ATV) - continued</b>								
LT-F160 (Y) Quadrunner	160cc	00	Mitsuba System	MT		31100-02C10	<b>2-2765-MT-2</b>	18808
LT-F160 (W,X) Quadrunner	160cc	99-98	Mitsuba System	MT		31100-02C02	<b>2-2765-MT-2</b>	18808
LT-F160 (M,N,P,R,S,T,V) Quadrunner	160cc	97-91	Mitsuba System	MT		31100-02C01	<b>2-2765-MT-2</b>	18808
LT-F230 (H) Quadrunner	230cc	87-86		MT		31100-35B00	<b>2-2765-MT-2</b>	18808
LT-F230 (G) Quadrunner	230cc	85		MT		31100-18A00	<b>2-2765-MT-2</b>	18808
LT-F250 Ozark	246cc	08-02	Mitsuba System	MT		31100-02C10	<b>2-2765-MT-2</b>	18808
LT-F250, F (K1,K2) Quadrunner	250cc	02-01	Mitsuba System	MT		31100-19B20	<b>2-2766-MT-2</b>	18807
LT-F250, F (Y) Quadrunner	250cc	00	Mitsuba System	MT		31100-19B20	<b>2-2766-MT-2</b>	18807
LT-F250, F (W,X) Quadrunner	250cc	99-98	Mitsuba System	MT		31100-19B12	<b>2-2766-MT-2</b>	18807
LT-F250 (N,P,R,S,T,V) Quadrunner	250cc	97-92	Mitsuba System	MT		31100-19B11	<b>2-2766-MT-2</b>	18807
LT-F250 (L,M) Quadrunner	250cc	91-90	Mitsuba System	MT		31100-19B11	<b>2-2766-MT-2</b>	18807
LT-F250 (J,K) Quadrunner	250cc	89-88	Mitsuba System	MT		31100-19B11	<b>2-2766-MT-2</b>	18807
LT-F300F (K1,K2) King Quad	300cc	02-01	Mitsuba System	MT		31100-19B20	<b>2-2766-MT-2</b>	18807
LT-F300F (Y) King Quad	300cc	00	Mitsuba System	MT		31100-19B20	<b>2-2766-MT-2</b>	18807
LT-F300F (X) King Quad	300cc	99	Mitsuba System	MT		31100-19B12	<b>2-2766-MT-2</b>	18807
LT-F400, F Eiger	376cc	07-02	Mitsuba System	MT		31100-38F00	<b>2-3150-MT</b>	18809
LT-F400, F King Quad	376cc	08	Mitsuba System	MT		31100-38F00	<b>2-3150-MT</b>	18809
LT-F500F (K1,K2) Quadrunner	500cc	02-01	Mitsuba System	MT		31100-44D20	<b>2-2408</b>	18796
LT-F500F (X,Y) Quadrunner	500cc	00-98	Mitsuba System	MT		31100-44D10	<b>2-2408</b>	18796
LT-F500F, C Vinson	493cc	07-03	Mitsuba System	MT		31100-44D21	<b>2-2408</b>	18796
LT-F4WDX (W) King Quad	250cc	98	Mitsuba System	MT		31100-19B12	<b>2-2766-MT-2</b>	18807
LT-F4WDX (T,V) King Quad	250cc	97-96	Mitsuba System	MT		31100-19B11	<b>2-2766-MT-2</b>	18807
LT-F4WDX (N,P,R,S) King Quad	250cc	95-92	Mitsuba System	MT		31100-19B11	<b>2-2766-MT-2</b>	18807
LT-F4WDX (M)	250cc	91	Mitsuba System	MT		31100-19B11	<b>2-2766-MT-2</b>	18807
LT-V700F Twin Peaks	697cc	05-04	Mitsuba System	MT		K2116-31320	<b>2-2417-MT-2</b>	18719
LT-Z250 QuadSport	246cc	08-04	Mitsuba System	MT		31100-02C10	<b>2-2765-MT-2</b>	18808
<b>Engines - Marine Outboard</b>								
DT20EL	27.1ci - 20HP	88-86	Hitachi System	HI		31100-96311	<b>2-2168-HI</b>	18319
DT20ES	27.1ci - 20HP	88-86	Hitachi System	HI		31100-96311	<b>2-2168-HI</b>	18319
DT25EL	27.3ci - 25HP	82-80	Hitachi System	HI		31100-96311	<b>2-2168-HI</b>	18319
	30.5ci - 25HP	88-85	Hitachi System	HI		31100-96311	<b>2-2168-HI</b>	18319
DT25ES	27.3ci - 25HP	82-80	Hitachi System	HI		31100-96311	<b>2-2168-HI</b>	18319
	30.5ci - 25HP	88-85	Hitachi System	HI		31100-96311	<b>2-2168-HI</b>	18319
DT30EL	30.5ci - 30HP	84-83	Hitachi System	HI		31100-96311	<b>2-2168-HI</b>	18319
DT30ES	30.5ci - 30HP	84-83	Hitachi System	HI		31100-96311	<b>2-2168-HI</b>	18319
DT30L	30.5ci - 30HP	85	Hitachi System	HI		31100-96311	<b>2-2168-HI</b>	18319
DT30RL	30.5ci - 30HP	87-86	Hitachi System	HI		31100-96311	<b>2-2168-HI</b>	18319
DT30RS	30.5ci - 30HP	87-86	Hitachi System	HI		31100-96311	<b>2-2168-HI</b>	18319
DT30S	30.5ci - 30HP	85	Hitachi System	HI		31100-96311	<b>2-2168-HI</b>	18319
DT35CRL	42.5ci - 35HP	89-87	Hitachi System	HI		31100-94400	<b>2-2168-HI</b>	18319
DT35CRS	42.5ci - 35HP	89-87	Hitachi System	HI		31100-94400	<b>2-2168-HI</b>	18319
DT35TCL	42.5ci - 35HP	89-87	Hitachi System	HI		31100-94400	<b>2-2168-HI</b>	18319
DT40CEL	42.5ci - 40HP	90-89	Hitachi System	HI		31100-94401	<b>2-2168-HI</b>	18319
DT40CES	42.5ci - 40HP	90-89	Hitachi System	HI		31100-94401	<b>2-2168-HI</b>	18319
DT40CRL	42.5ci - 40HP	98-86	Hitachi System	HI		31100-94401	<b>2-2168-HI</b>	18319
DT40CRS	42.5ci - 40HP	98-86	Hitachi System	HI		31100-94401	<b>2-2168-HI</b>	18319
DT40ECL	42.5ci - 40HP	85-84	Hitachi System	HI		31100-94400	<b>2-2168-HI</b>	18319
DT40ECS	42.5ci - 40HP	85-84	Hitachi System	HI		31100-94400	<b>2-2168-HI</b>	18319
DT40EL	37.7ci - 40HP	83-80	Hitachi System	HI		31100-94400	<b>2-2168-HI</b>	18319
DT40ES	37.7ci - 40HP	83-80	Hitachi System	HI		31100-94400	<b>2-2168-HI</b>	18319
DT40TCL	42.5ci - 40HP	98-87	Hitachi System	HI		31100-94401	<b>2-2168-HI</b>	18319
DT50EL	44.1ci - 50HP	83-80	Hitachi System	HI		31100-95242	<b>2-2272</b>	18313
DT50ES	44.1ci - 50HP	82-80	Hitachi System	HI		31100-95242	<b>2-2272</b>	18313
DT65EL	48.7ci - 65HP	82-80	Hitachi System	HI		31100-95242	<b>2-2272</b>	18313
DT65ES	48.7ci - 65HP	82-80	Hitachi System	HI		31100-95242	<b>2-2272</b>	18313
DT75TCL	73.0ci - 75HP	97-88	Hitachi System	HI		31100-95601	<b>2-2312-HI</b>	18316
DT85TCL	73.0ci - 85HP	00-88	Hitachi System	HI		31100-95601	<b>2-2312-HI</b>	18316
DT90TCL	86.6ci - 90HP	97-89	Hitachi System	HI		31100-87D10	<b>2-2315-HI</b>	18308
DT90TCX	86.6ci - 90HP	90-89	Hitachi System	HI		31100-87D10	<b>2-2315-HI</b>	18308

♦ See Buyer's Guide for Optional Units

Model	Engine	Year	Option	Mfg KW	OEM #	PART NO.	REF.
<b>SUZUKI - continued</b>							
<b>Engines - Marine Outboard - continued</b>							
DT100SF	86.6ci - 100HP	90-89	Hitachi System	HI	31100-87D10	2-2315-HI	18308
DT100TCL	86.6ci - 100HP	00	Hitachi System	HI	31100-92E00	2-2315-HI	18308
		99-89	Hitachi System	HI	31100-87D10	2-2315-HI	18308
DT100TCX	86.6ci - 100HP	90-89	Hitachi System	HI	31100-87D10	2-2315-HI	18308
DT115STCL EFI	108.2ci - 115HP	01-00	Hitachi System	HI	31100-94610	2-2314-HI	18307
		99-96	Hitachi System	HI	31100-94600	2-2314-HI	18307
DT115TCL	108.2ci - 115HP	96-86	Hitachi System	HI	31100-94600	2-2314-HI	18307
DT115TCX	108.2ci - 115HP	97-85	Hitachi System	HI	31100-94600	2-2314-HI	18307
DT140TCL	108.2ci - 140HP	97-85	Hitachi System	HI	31100-94600	2-2314-HI	18307
DT140TCL EFI	108.2ci - 140HP	01-00	Hitachi System	HI	31100-94610	2-2314-HI	18307
		99-98	Hitachi System	HI	31100-94600	2-2314-HI	18307
DT140TCX	108.2ci - 140HP	96-85	Hitachi System	HI	31100-94600	2-2314-HI	18307
DT140TCX EFI	108.2ci - 140HP	01-00	Hitachi System	HI	31100-94610	2-2314-HI	18307
		99-97	Hitachi System	HI	31100-94600	2-2314-HI	18307
DT150SS	164.3ci - 150HP	91-86	Hitachi System	HI	31100-87D10	2-2315-HI	18308
DT150SSN Super Six	164.3ci - 150HP	92	Hitachi System	HI	31100-87D10	2-2315-HI	18308
DT150STCL EFI	164.3ci - 150HP	03-00	Hitachi System	HI	31100-92E00	2-2315-HI	18308
		99-94	Hitachi System	HI	31100-87D10	2-2315-HI	18308
		93	Hitachi System	HI	31100-87D10	2-2315-HI	18308
DT150TCL	164.3ci - 150HP	94-86	Hitachi System	HI	31100-87D10	2-2315-HI	18308
DT150TCX	164.3ci - 150HP	94-86	Hitachi System	HI	31100-87D10	2-2315-HI	18308
DT150TCX EFI	164.3ci - 150HP	03-00	Hitachi System	HI	31100-92E00	2-2315-HI	18308
		99-95	Hitachi System	HI	31100-87D10	2-2315-HI	18308
DT150TCXG	164.3ci - 150HP	94-90	Hitachi System	HI	31100-87D10	2-2315-HI	18308
DT150TCXG EFI	164.3ci - 150HP	03-00	Hitachi System	HI	31100-92E00	2-2315-HI	18308
		99-95	Hitachi System	HI	31100-87D10	2-2315-HI	18308
DT175TCL	164.3ci - 175HP	92-87	Hitachi System	HI	31100-87D10	2-2315-HI	18308
DT175TCX	164.3ci - 175HP	92-87	Hitachi System	HI	31100-87D10	2-2315-HI	18308
DT200AEL	164.3ci - 200HP	87	Hitachi System	HI	31100-87D10	2-2315-HI	18308
DT200AEX	164.3ci - 200HP	87	Hitachi System	HI	31100-87D10	2-2315-HI	18308
DT200TCL	164.3ci - 200HP	93-86	Hitachi System	HI	31100-87D10	2-2315-HI	18308
DT200TCL EFI	164.3ci - 200HP	00	Hitachi System	HI	31100-92E00	2-2315-HI	18308
		99-94	Hitachi System	HI	31100-87D10	2-2315-HI	18308
DT200TCX	164.3ci - 200HP	93-86	Hitachi System	HI	31100-87D10	2-2315-HI	18308
DT200TCX EFI	164.3ci - 200HP	00	Hitachi System	HI	31100-92E00	2-2315-HI	18308
		99-94	Hitachi System	HI	31100-87D10	2-2315-HI	18308
DT200TCXG	164.3ci - 200HP	93-90	Hitachi System	HI	31100-87D10	2-2315-HI	18308
DT200TCXG EFI	164.3ci - 200HP	00	Hitachi System	HI	31100-92E00	2-2315-HI	18308
		99-94	Hitachi System	HI	31100-87D10	2-2315-HI	18308
DT200VL Exante	164.3ci - 200HP	92-88	Hitachi System	HI	31100-87D10	2-2315-HI	18308
DT200VX Exante	164.3ci - 200HP	92-88	Hitachi System	HI	31100-87D10	2-2315-HI	18308
DT200VXG	164.3ci - 200HP	91-90	Hitachi System	HI	31100-87D10	2-2315-HI	18308
DT225TCL	164.3ci - 225HP	93-90	Hitachi System	HI	31100-87D10	2-2315-HI	18308
DT225TCL EFI	164.3ci - 225HP	00-94	Hitachi System	HI	31100-87D10	2-2315-HI	18308
DT225TCX	164.3ci - 225HP	93-90	Hitachi System	HI	31100-87D10	2-2315-HI	18308
DT225TCX EFI	164.3ci - 225HP	03-01	Hitachi System	HI	31100-92E00	2-2315-HI	18308
		00-94	Hitachi System	HI	31100-87D10	2-2315-HI	18308
DT225TCXG	164.3ci - 225HP	93	Hitachi System	HI	31100-87D10	2-2315-HI	18308
DT225TCXG EFI	164.3ci - 225HP	00-94	Hitachi System	HI	31100-87D10	2-2315-HI	18308
PU40	42.5ci - 40HP	95-92	Hitachi System	HI	31100-94400	2-2168-HI	18319
PU55 Jet	54.4ci - 35HP	90-89	Hitachi System	HI	31100-94400	2-2168-HI	18319
PU85	73.0ci - 85HP	96-92	Hitachi System	HI	31100-95600	2-2312-HI	18316
PU140	108.2ci - 140HP	96-92	Hitachi System	HI	31100-94600	2-2314-HI	18307
PU140 EFI Jet	108.2ci - 100HP	97	Hitachi System	HI	31100-87D10	2-2315-HI	18308
PU140 Jet	108.2ci - 100HP	90-89	Hitachi System	HI	31100-87D10	2-2315-HI	18308
<b>Motorcycles</b>							
DR650SE (X - To X2100596)	644cc	99	Mitsuba System	MT	31100-44D10	2-2408	18796
DR650SE (W)	644cc	98	Mitsuba System	MT	31100-44D10	2-2408	18796
GN250 (J)	249cc	88	Mitsuba System	ND	31100-38300	2-2767-ND-2	18793

♦ See Buyer's Guide for Optional Units



# STARTERS

Model	Engine	Year	Option	Mfg	KW	OEM #	PART NO.	REF.
<b>SUZUKI - continued</b>								
<b>Motorcycles - continued</b>								
GN250 (Z,D,E,F)	249cc	85-82	Mitsuba System	ND		31100-38300	<b>2-2767-ND-2</b>	18793
GSX1300R (K1-K4) Hayabusa	1298cc	07-04	Denso System	ND		31100-24F10	<b>2-2937-ND</b>	18814
GSX1300R (K1,K2) Hayabusa	1298cc	03-01	Denso System	ND		31100-24F01	<b>2-2936-ND</b>	18798
GSX1300R (X,Y)	1298cc	00-99	Denso System	ND		31100-24F00	<b>2-2936-ND</b>	18798
GSX1300R (X,Y) Hayabusa	1298cc	00-99	Denso System	ND		31100-24F00	<b>2-2936-ND</b>	18798
GZ250	249cc	08-99	Mitsuba System	ND		31100-38300-H17	<b>2-2767-ND-2</b>	18794

## TECUMSEH

<b>Engines</b>								
Air Cooled	HM 70-100	All	Briggs System	TC		35763	<b>2-2194</b>	5749
	OVM 120	All	Briggs System	TC		35763	<b>2-2194</b>	5749
	OVXL 120	All	Briggs System	TC		35763	<b>2-2194</b>	5749
	TVM 170-220	All	Briggs System	TC		35763	<b>2-2194</b>	5749
	TVXL 170-220	All	Briggs System	TC		35763	<b>2-2194</b>	5749

## TELEDYNE

<b>Inboard &amp; Sterndrive</b>								
91	w/CW	68-66	w/CW	DR		1107259	<b>2-1592-DR ♦</b>	3664
112		68-66	w/CW	DR		1107259	<b>2-1592-DR ♦</b>	3664
162		68-66	w/CW	DR		1107259	<b>2-1592-DR ♦</b>	3664
226		68-66	w/CW	DR		1107259	<b>2-1592-DR ♦</b>	3664
232		68-66	w/CW	DR		1107259	<b>2-1592-DR ♦</b>	3664
287		68-66	w/CW	DR		1107259	<b>2-1592-DR ♦</b>	3664

## THERMO ELECTRON

<b>Engines - Marine</b>								
Various Models	170 Engine	71-70	Clockwise	DR		1109484	<b>2-2591-DR-2</b>	6440
			Counter CW	DR		1109485	<b>2-2752-DR-2</b>	4304
	185 Engine	71-70	Clockwise	DR		1109484	<b>2-2591-DR-2</b>	6440
			Counter CW	DR		1109485	<b>2-2752-DR-2</b>	4304
	200 Engine	71-70	Clockwise	DR		1109484	<b>2-2591-DR-2</b>	6440
			Counter CW	DR		1109485	<b>2-2752-DR-2</b>	4304
	225 Engine	71-70	Clockwise	DR		1109484	<b>2-2591-DR-2</b>	6440
			Counter CW	DR		1109485	<b>2-2752-DR-2</b>	4304
	229 Engine	88-80	Clockwise	DR		1109490	<b>2-1591-DR ♦</b>	3548
	230 Engine	71-70	Clockwise	DR		1109484	<b>2-2591-DR-2</b>	6440
			Counter CW	DR		1109485	<b>2-2752-DR-2</b>	4304
	262 Engine	88-79	Clockwise	DR		1998570	<b>2-2909-DR ♦</b>	6423
	283 Engine	71-70	Clockwise	DR		1109484	<b>2-2591-DR-2</b>	6440
			Counter CW	DR		1109485	<b>2-2752-DR-2</b>	4304
	305 Engine	88-77	Flange Mount (CCW)	DR		1109485	<b>2-2752-DR-2</b>	4304
			Flange Mount (CW)	DR		1109484	<b>2-2591-DR-2</b>	6440
			Offset Pad Mt. (CW)	DR		1109482	<b>2-2909-DR ♦</b>	6423
			Straight Mt. (CW)	DR		1109486	<b>2-1591-DR ♦</b>	3548
	327 Engine	71-70	Clockwise	DR		1109484	<b>2-2591-DR-2</b>	6440
			Counter CW	DR		1109485	<b>2-2752-DR-2</b>	4304
	348 Engine	71-70	Clockwise	DR		1109484	<b>2-2591-DR-2</b>	6440
			Counter CW	DR		1109485	<b>2-2752-DR-2</b>	4304
	350 Engine	88-77	Flange Mount (CCW)	DR		1109485	<b>2-2752-DR-2</b>	4304
			Flange Mount (CW)	DR		1109484	<b>2-2591-DR-2</b>	6440
			Offset Pad Mt. (CW)	DR		1109482	<b>2-2909-DR ♦</b>	6423
			Straight Mt. (CW)	DR		1109486	<b>2-1591-DR ♦</b>	3548
	409 Engine	71-70	Clockwise	DR		1109484	<b>2-2591-DR-2</b>	6440
			Counter CW	DR		1109485	<b>2-2752-DR-2</b>	4304
427 Engine	71-70	Clockwise	DR		1109484	<b>2-2591-DR-2</b>	6440	
		Counter CW	DR		1109485	<b>2-2752-DR-2</b>	4304	
454 Engine	88-77	Flange Mount (CCW)	DR		1109485	<b>2-2752-DR-2</b>	4304	
		Flange Mount (CW)	DR		1109484	<b>2-2591-DR-2</b>	6440	
		Offset Pad Mt. (CW)	DR		1109482	<b>2-2909-DR ♦</b>	6423	
		Straight Mt. (CW)	DR		1109486	<b>2-1591-DR ♦</b>	3548	

Model	Engine	Year	Option	Mfg KW	OEM #	PART NO.	REF.
<b>TOHATSU</b>							
<b>Engines - Marine Outboard</b>							
M8	8HP 2-Stroke	03-92	Hitachi System	HI	S106-12A	2-2452-HI-2	18301
MFS8	8HP 4-Stroke	06-03	Hitachi System	HI	S106-12B	2-2452-HI-2	18301
M9.8	9.8HP 2-Stroke	03-98	Hitachi System	HI	S106-12A	2-2452-HI-2	18301
MFS9.8	9.8HP 4-Stroke	06-03	Hitachi System	HI	S106-12B	2-2452-HI-2	18301
M9.9	9.9HP 2-Stroke	03-92	Hitachi System	HI	S106-12B	2-2452-HI-2	18301
MFS9.9	9.9HP 4-Stroke	08-00	Hitachi System	HI	S108-112	2-2168-HI	18319
M15	15HP 2-Stroke	03-92	Hitachi System	HI	S106-12B	2-2452-HI-2	18301
MFS15	15HP 4-Stroke	08-00	Hitachi System	HI	S108-112	2-2168-HI	18319
M18	18HP 2-Stroke	03-92	Hitachi System	HI	S106-12B	2-2452-HI-2	18301
MFS18	18HP 4-Stroke	06-01	Hitachi System	HI	S108-112	2-2168-HI	18319
MSF20	20HP 4-Stroke	08	Hitachi System	HI	S108-112	2-2168-HI	18319
MSF25	25HP 4-Stroke	05-02	Hitachi System	HI	S108-112	2-2168-HI	18319
MSF30	30HP 4-Stroke	05-02	Hitachi System	HI	S108-112	2-2168-HI	18319
M40	40HP 2-Stroke	03-92	Hitachi System	HI	S108-112	2-2168-HI	18319
MD40	40HP TLDI	06-01	Hitachi System	HI	S108-112	2-2168-HI	18319
M50	50HP 2-Stroke	03-92	Hitachi System	HI	S108-112	2-2168-HI	18319
MD50	50HP TLDI	06-01	Hitachi System	HI	S108-112	2-2168-HI	18319
M60	60HP 2-Stroke	03-96	Hitachi System	HI	S108-112	2-2168-HI	18319
		95-92	Hitachi System	HI	S114-415	2-2313-HI	18323
M70	70HP 2-Stroke	03-96	Hitachi System	HI	S108-112	2-2168-HI	18319
		95-92	Hitachi System	HI	S114-415	2-2313-HI	18323
MD70	70HP TLDI	06-03	Hitachi System	HI	S108-112	2-2168-HI	18319
M90	90HP 2-Stroke	96-92	Hitachi System	HI	S114-415	2-2313-HI	18323
MD90	90HP TLDI	06-01	Hitachi System	HI	S108-112	2-2168-HI	18319
M115	115HP 2-Stroke	03-92	Hitachi System	HI	S114-415	2-2313-HI	18323
MD115	115HP TLDI	06	Hitachi System	HI	S114-667	2-2313-HI	18323
M120	120HP 2-Stroke	96-92	Hitachi System	HI	S114-415	2-2313-HI	18323
M140	140HP 2-Stroke	03-92	Hitachi System	HI	S114-415	2-2313-HI	18323
<b>TORO</b>							
<b>Aerator</b>							
HydroJect 3010	Kohler Engine	09-05	Delco System	DR	25-098-09-S	2-2022-DR	6744
ProCore 648 Aerator	Kohler Engine	09-04	Delco System	DR	25-098-09-S	2-2022-DR	6744
<b>Loaders - Compact</b>							
Dingo 220	Kohler 20HP Gas	09-01	Delco System	DR	25-098-08-S	2-2022-DR	6744
Dingo 222	Kohler 22HP Gas	01-98	Denso System	ND 0.6	24-098-01	2-2022-ND	17628
Dingo 322	Kohler 22HP Gas	02-01	Delco System	DR	25-098-08-S	2-2022-DR	6744
		00-99	Denso System	ND 0.6	24-098-01	2-2022-ND	17628
Dingo TX-413	Honda 13HP Gas	08-04	Denso System	ND 0.5	31210-ZE3-013	2-2688-ND	18513
Dingo TX-420	Kohler 20HP Gas	09-05	Delco System	DR	25-098-08-S	2-2022-DR	6744
		04-00	Denso System	ND 0.6	24-098-01S	2-2022-ND	17628
Dingo TX-425	Kohler 25HP Gas	09-02	Delco System	DR	25-098-08-S	2-2022-DR	6744
Dingo TX-427	Kohler 27HP Gas	09	Delco System	DR	25-098-09-S	2-2022-DR	6744
<b>Mowers - Fairway</b>							
Groundsmaster 52	Briggs & Stratton	86-79	Briggs & Stratton System	BS	394807	2-2190	5745
Groundsmaster 62	Onan Gas Engines	86	United Tech System	UT	57-9480	2-2642-UT	5701
Groundsmaster 117	Kohler 17HP Gas	90-85	United Tech System	UT	52-098-06	2-2246	5774
Groundsmaster 120	Kohler 20HP Gas	04-03	Delco System	DR	25-098-08-S	2-2022-DR	6744
		02-96	Denso System	ND 0.6	24-098-01	2-2022-ND	17628
Groundsmaster 322D	Mitsubishi 23HP Dsl	90-83	Mitsubishi System	MI 2.0	M2T56272	2-1781-MI	17096
Groundsmaster 325D	Mitsubishi 25HP Dsl	01-91	Mitsubishi System	MI 2.0	M2T56272	2-1781-MI	17096
Groundsmaster 580D	Mitsubishi Diesel	97-89	Mitsubishi System	MI 2.0	M2T61371	2-1963-MI	17081
Reelmaster 216	Kohler Engine	97-87	United Tech System	UT	41-098-04	2-2175-UT	5756
Reelmaster 450-D		94-86	Mitsubishi System	MI 2.0	51-7590	2-1963-MI	17081
Reelmaster 4500-D		83-On	Mitsubishi System	MI 2.0	M2T56471	2-1963-MI	17081
<b>Mowers - Greens</b>							
Greensmaster 300	Kohler Engine	87-85	United Tech System	UT	45-098-07	2-2129-UT	5761
Greensmaster 3000		97-87	United Tech System	UT	41-098-04	2-2175-UT	5756
Greensmaster 3050	Briggs & Stratton 18HP Gas	09-97	Briggs & Stratton System	BS	691564	2-2407	5776

◆ See Buyer's Guide for Optional Units

# STARTERS

Model	Engine	Year	Option	Mfg	KW	OEM #	PART NO.	REF.	
<b>TORO - continued</b>									
<b>Mowers - Greens - continued</b>									
Greensmaster 3100	Briggs & Stratton 18HP Gas	09-92	Briggs & Stratton System	BS	691564		<b>2-2407</b>	5776	
Greensmaster 3150	Briggs & Stratton 18HP Gas	09-02	Briggs & Stratton System	BS	691564		<b>2-2407</b>	5776	
<b>Mowers - Walk Behind</b>									
GrandStand 74558	Kawasaki 19HP Gas	09	United Tech System	UT	21163-7010		<b>2-2432-UT</b>	5951	
GrandStand 74559	Kawasaki 19HP Gas	09	United Tech System	UT	21163-7010		<b>2-2432-UT</b>	5951	
<b>Mowers - Zero Turn</b>									
17-44ZX TimeCutter ZX Riding Mower	Kawasaki 17HP	04-03	United Tech System	UT	21163-7001		<b>2-2432-UT</b>	5951	
18-52ZX TimeCutter ZX Riding Mower	Kawasaki 18HP	04-03	United Tech System	UT	21163-7010		<b>2-2432-UT</b>	5951	
	Kohler 18HP	04-03	United Tech System	UT	12-098-22-S		<b>2-2241</b>	5770	
718-Z Tractor	Kohler 18HP	87-86	United Tech System	UT	52-098-06		<b>2-2246</b>	5774	
720-Z Tractor	Kohler 20HP	87	United Tech System	UT	52-098-06		<b>2-2246</b>	5774	
724-Z Tractor	Onan 24HP	92-91	Mitsubishi System	MI	71-6040		<b>2-1554-MI-1</b>	17291	
		90-88	Mitsubishi System	MI 0.8	NN10268		<b>2-2668-MI</b>	17312	
G4010	Kohler 19HP	08-07	United Tech System	UT	20-098-05S		<b>2-2855-UT</b>	5796	
G4020	Kohler 21HP	08-07	United Tech System	UT	20-098-05S		<b>2-2855-UT</b>	5796	
MZ17H	Kohler 18HP	06	United Tech System	UT	12-098-22-S		<b>2-2241</b>	5770	
MZ19H	Kawasaki 19HP	07-06	United Tech System	UT	21163-7010		<b>2-2432-UT</b>	5951	
TimeCutter Z4200 Riding Mower	Kohler 19HP	09-07	United Tech System	UT	20-098-05S		<b>2-2855-UT</b>	5796	
TimeCutter Z4220 Riding Mower	Kohler 21HP	09-08	United Tech System	UT	20-098-05S		<b>2-2855-UT</b>	5796	
TimeCutter Z5000 Riding Mower	Kohler 21HP	09-07	United Tech System	UT	20-098-05S		<b>2-2855-UT</b>	5796	
TimeCutter Z5040 Riding Mower	Kawasaki 21HP	08-07	United Tech System	UT	21163-7022		<b>2-2432-UT</b>	5951	
TimeCutter ZD420T Riding Mower	Kawasaki 585cc	09	United Tech System	UT	21163-7022		<b>2-2432-UT</b>	5951	
TimeCutter ZX440 Riding Mower	Kawasaki 585cc	08-06	United Tech System	UT	21163-7010		<b>2-2432-UT</b>	5951	
		Kohler 490cc	08-06	United Tech System	UT	12-098-22-S		<b>2-2241</b>	5770
TimeCutter ZX480 Riding Mower	Briggs & Stratton 656cc	05	Briggs & Stratton System	BS	497401		<b>2-2191</b>	5778	
		Briggs & Stratton 725cc	07-06	Briggs & Stratton System	BS	499521		<b>2-2191</b>	5778
TimeCutter ZX525 Riding Mower	Kawasaki 585cc	07-05	United Tech System	UT	21163-7010		<b>2-2432-UT</b>	5951	
TITAN Z4800	Briggs & Stratton 22HP Gas	09-07	Briggs & Stratton System	BS	499521		<b>2-2191</b>	5778	
TITAN Z5200	Briggs & Stratton 24HP Gas	09-07	Briggs & Stratton System	BS	499521		<b>2-2191</b>	5778	
Z17-44 TimeCutter Z Riding Mower	Kawasaki 17HP	02	United Tech System	UT	21163-7001		<b>2-2432-UT</b>	5951	
		Kohler 17HP	02-01	United Tech System	UT	12-098-15-S		<b>2-2241</b>	5770
Z17-52 TimeCutter Z Riding Mower	Kohler 17HP	02-01	United Tech System	UT	12-098-15-S		<b>2-2241</b>	5770	
Z18-52 TimeCutter Z Riding Mower	Kawasaki 18HP	02	United Tech System	UT	21163-7001		<b>2-2432-UT</b>	5951	
Z118 Z Master	Kohler 18HP	97	Denso System	ND 0.6	12-098-03		<b>2-2022-ND</b>	17628	
Z147 Z Master	Kawasaki 17HP Gas	04-99	United Tech System	UT	21163-7001		<b>2-2432-UT</b>	5951	
Z148 Z Master	Kohler 18HP Gas	04-03	Delco System	DR	25-098-09-S		<b>2-2022-DR</b>	6744	
Z149 Z Master	Kawasaki 19HP Gas	06-05	United Tech System	UT	21163-7010		<b>2-2432-UT</b>	5951	
		04-99	United Tech System	UT	21163-7001		<b>2-2432-UT</b>	5951	
Z150 Z Master	Kohler 20HP Gas	04-02	Delco System	DR	25-098-09-S		<b>2-2022-DR</b>	6744	
		01-99	Denso System	ND 0.6	12-098-03		<b>2-2022-ND</b>	17628	
Z153 Z Master	Kawasaki 23HP Gas	04-01	United Tech System	UT	21163-7001		<b>2-2432-UT</b>	5951	
		Kohler 23HP Gas	04-02	Delco System	DR	25-098-08-S		<b>2-2022-DR</b>	6744
		01	Denso System	ND 0.6	12-098-03		<b>2-2022-ND</b>	17628	
Z200 Z Master	Kohler 20HP Gas	03-02	Delco System	DR	25-098-08-S		<b>2-2022-DR</b>	6744	
Z222 Z Master	Kohler 20HP Gas	97	Denso System	ND 0.6	12-098-03		<b>2-2022-ND</b>	17628	
Z252 Z Master	Kohler 22HP Gas	98	Denso System	ND 0.6	12-098-03		<b>2-2022-ND</b>	17628	
Z252L Z Master	Kawasaki 22HP Gas	00-99	Denso System	ND 0.6	21163-2101		<b>2-2646-ND</b>	18012	
Z253 Z Master	Kohler 23HP Gas	03-01	Delco System	DR	25-098-08-S		<b>2-2022-DR</b>	6744	
		00-99	Denso System	ND 0.6	24-098-01		<b>2-2022-ND</b>	17628	
Z255 Z Master	Kawasaki 25HP Gas	03-02	United Tech System	UT	21163-7001		<b>2-2432-UT</b>	5951	
		Kohler 25HP Gas	03-02	Delco System	DR	25-098-08-S		<b>2-2022-DR</b>	6744
		01-98	Denso System	ND 0.6	24-098-01		<b>2-2022-ND</b>	17628	
Z256 Z Master	Kohler 26HP Gas	00	Denso System	ND 0.6	24-098-01S		<b>2-2022-ND</b>	17628	
Z257 Z Master	Kohler 27HP Gas	03	Delco System	DR	25-098-09-S		<b>2-2022-DR</b>	6744	
Z283L Z Master	Kawasaki 23HP Gas	01	Denso System	ND 0.6	21163-2101		<b>2-2646-ND</b>	18012	
Z286E Z Master	Kohler 26HP Gas	02	Delco System	DR	25-098-08-S		<b>2-2022-DR</b>	6744	
		01	Denso System	ND 0.6	24-098-01S		<b>2-2022-ND</b>	17628	
Z288E Z Master	Kohler 28HP Gas	03	Delco System	DR	25-098-08-S		<b>2-2022-DR</b>	6744	
Z300 Z Master	Kawasaki 19HP Gas	09-08	United Tech System	UT	21163-7010		<b>2-2432-UT</b>	5951	

Model	Engine	Year	Option	Mfg KW	OEM #	PART NO.	REF.
<b>TORO - continued</b>							
<b>Mowers - Zero Turn - continued</b>							
Z320 Z Master	Kohler 20HP Gas	99-97	Denso System	ND 0.6	24-098-01	2-2022-ND	17628
Z325 Z Master	Kohler 25HP Gas	99-97	Denso System	ND 0.6	24-098-01	2-2022-ND	17628
Z334 Z Master	Kawasaki 19HP Gas	07	United Tech System	UT	21163-7010	2-2432-UT	5951
Z340 Z Master	Kawasaki 19HP Gas	07	United Tech System	UT	21163-7010	2-2432-UT	5951
Z350 Z Master	Kohler 20HP Gas	02-01	Delco System	DR	25-098-08-S	2-2022-DR	6744
		00	Denso System	ND 0.6	24-098-01S	2-2022-ND	17628
Z355 Z Master	Kohler 25HP Gas	04-01	Delco System	DR	25-098-08-S	2-2022-DR	6744
		00	Denso System	ND 0.6	24-098-01S	2-2022-ND	17628
Z400 Z Master	Kawasaki 21HP Gas	09-05	United Tech System	UT	21163-7010	2-2432-UT	5951
	Kohler 18HP Gas	06-05	Delco System	DR	25-098-09-S	2-2022-DR	6744
Z441 Z Master	Kawasaki 21HP Gas	07	United Tech System	UT	21163-7010	2-2432-UT	5951
Z449 Z Master	Kawasaki 19HP Gas	07-05	United Tech System	UT	21163-7010	2-2432-UT	5951
Z450 Z Master	Kawasaki 23HP Gas	09-05	United Tech System	UT	21163-7010	2-2432-UT	5951
	Kohler 20HP Gas	06-05	Delco System	DR	25-098-09-S	2-2022-DR	6744
Z453 Z Master	Kawasaki 23HP Gas	07-05	United Tech System	UT	21163-7001	2-2432-UT	5951
Z500 Z Master	Kawasaki 25HP Gas	07-06	United Tech System	UT	21163-7010	2-2432-UT	5951
	Kawasaki 28HP Gas	09-08	United Tech System	UT	21163-7010	2-2432-UT	5951
Z528 Z Master	Kawasaki 28HP Gas	07	United Tech System	UT	21163-7010	2-2432-UT	5951
Z500 Z Master	Kohler 20HP Gas	04	Delco System	DR	25-098-09-S	2-2022-DR	6744
		05	Delco System	DR	25-098-09-S	2-2022-DR	6744
		09-08	Delco System	DR	25-098-09-S	2-2022-DR	6744
		06	Delco System	DR	25-098-09-S	2-2022-DR	6744
Z550 Z Master	Kohler 27HP Gas	09-08	Delco System	DR	25-098-09-S	2-2022-DR	6744
	Kawasaki 28HP Gas	09-08	United Tech System	UT	21163-7010	2-2432-UT	5951
Z553 Z Master	Kohler 23HP Gas	05-04	Delco System	DR	25-098-09-S	2-2022-DR	6744
Z555 Z Master	Kawasaki 25HP Gas	05-04	United Tech System	UT	21163-7010	2-2432-UT	5951
Z557 Z Master	Kohler 27HP Gas	06-04	Delco System	DR	25-098-09-S	2-2022-DR	6744
		06	Delco System	DR	25-098-09-S	2-2022-DR	6744
Z558 Z Master	Kawasaki 28HP Gas	07	United Tech System	UT	21163-7010	2-2432-UT	5951
Z560 Z Master	Kohler 30HP Gas	07	Delco System	DR	25-098-09-S	2-2022-DR	6744
Z588E Z Master	Kohler 28HP Gas	06-04	Delco System	DR	25-098-09-S	2-2022-DR	6744
<b>Misc. Equipment</b>							
325D	K3D Mitsubishi Engine	80-On	Mitsubishi System	MI 2.0	M2T56272	2-1781-MI	17096
Grounds Pro 2000	Briggs & Stratton Engine	99-98	Briggs & Stratton System	BS	808106	2-2407	5776
Parkmaster	Chevrolet 250 Gas	78	Delco System	DR	1109099	2-1601-DR-2	3635
		77-76	Delco System	DR	1108368	2-1601-DR-2	3635
		78-76	Delco System	DR	1107580	50-8406-2	4389
Various Models	K3D Mitsubishi Engine	82-On	Mitsubishi System	MI 2.0	M2T56272	2-1781-MI	17096
	K4D Mitsubishi Engine	82-On	Mitsubishi System	MI 2.0	M2T56272	2-1781-MI	17096
	K4E Mitsubishi Engine	82-On	Mitsubishi System	MI 2.0	M2T56272	2-1781-MI	17096
	Renault Engines	All	Ducellier System	VA 1.1	6185	2-1469-VA	16458
<b>Sports Field Equipment</b>							
Infield Pro 3040	Briggs & Stratton 16HP Gas	09-06	Briggs & Stratton System	BS	691564	2-2407	5776
Infield Pro 5040	Briggs & Stratton 18HP Gas	09-06	Briggs & Stratton System	BS	691564	2-2407	5776
Sand Pro 2000	Kohler 12HP Gas	96-92	United Tech System	UT	41-098-04	2-2175-UT	5756
Sand Pro 2020	Briggs & Stratton 16HP Gas	09-97	Briggs & Stratton System	BS	691564	2-2407	5776
Sand Pro 3000	Kohler Engine	96-94	United Tech System	UT	41-098-06	2-2175-UT	5756
Sand Pro 3020	Briggs & Stratton Engine	06-97	Briggs & Stratton System	BS	691564	2-2407	5776
Sand Pro 5000	Briggs & Stratton Engine	97-94	Briggs & Stratton System	BS	808106	2-2407	5776
		93-92	Briggs & Stratton System	BS	399169	2-2191	5746
Sand Pro 5020	Briggs & Stratton Engine	06-98	Briggs & Stratton System	BS	808106	2-2407	5776
<b>Sprayers</b>							
Multi Pro 1200	Kohler 20HP Gas	01-On	Denso System	ND 0.6	24-098-01	2-2022-ND	17628
Multi Pro 1250	Kohler 20HP Gas	00-On	Denso System	ND 0.6	24-098-01	2-2022-ND	17628
<b>Tractors - Garden</b>							
GT Classic Garden Tractor	Kohler 426cc	07-05	United Tech System	UT	12-098-19-S	2-2242	5771
<b>Tractors - Lawn</b>							
8-25 Rear Engine Rider	Briggs & Stratton 8HP	01-98	Briggs & Stratton System	BS	497595	2-2188	5742
		97-91	Briggs & Stratton System	BS	394805	2-2188	5742

♦ See Buyer's Guide for Optional Units

# STARTERS

Model	Engine	Year	Option	Mfg	KW	OEM #	PART NO.	REF.
<b>TORO - continued</b>								
<b>Tractors - Lawn - continued</b>								
8-25 Recycler Rider	Briggs & Stratton 8HP	92	Briggs & Stratton System	BS	394805		<b>2-2188</b>	5742
8-32 Front Engine Rider	Briggs & Stratton 8HP	85-77	Briggs & Stratton System	BS	394805		<b>2-2188</b>	5742
8-32 Professional Rear Engine Rider	Briggs & Stratton 8HP	87	Briggs & Stratton System	BS	394805		<b>2-2188</b>	5742
8-32 Professional Rider	Briggs & Stratton 8HP	89-86	Briggs & Stratton System	BS	394805		<b>2-2188</b>	5742
8-32 Rear Engine Rider	Briggs & Stratton 8HP	93-83	Briggs & Stratton System	BS	394805		<b>2-2188</b>	5742
11-32 Lawn Tractor	Briggs & Stratton 11HP	87-78	Briggs & Stratton System	BS	394805		<b>2-2188</b>	5742
11-32 Rear Engine Rider	Briggs & Stratton 11HP	87-83	Briggs & Stratton System	BS	394805		<b>2-2188</b>	5742
	Briggs & Stratton 11.5HP	97-96	Briggs & Stratton System	BS	394805		<b>2-2188</b>	5742
11-38 Pro Lawn Tractor	Briggs & Stratton 11HP	87-86	Briggs & Stratton System	BS	394805		<b>2-2188</b>	5742
11-42 Lawn Tractor	Briggs & Stratton 11HP	85-78	Briggs & Stratton System	BS	394943		<b>2-2191</b>	5746
11-44 Lawn Tractor	Briggs & Stratton 11HP	85-81	Briggs & Stratton System	BS	394943		<b>2-2191</b>	5746
11-44 Pro Lawn Tractor	Briggs & Stratton 11HP	87-86	Briggs & Stratton System	BS	394943		<b>2-2191</b>	5746
12-32 Rear Engine Rider	Briggs & Stratton 12.5HP	02-98	Briggs & Stratton System	BS	497595		<b>2-2188</b>	5742
	Briggs & Stratton 12HP	95-88	Briggs & Stratton System	BS	394805		<b>2-2188</b>	5742
12-32 Recycler Rider	Briggs & Stratton 12HP	96-93	Briggs & Stratton System	BS	394805		<b>2-2188</b>	5742
12-32XL Lawn Tractor	Briggs & Stratton 12HP	03-99	Briggs & Stratton System	BS	497595		<b>2-2188</b>	5742
		98-93	Briggs & Stratton System	BS	394805		<b>2-2188</b>	5742
12-38HXL Lawn Tractor	Briggs & Stratton 12.5HP	93	Briggs & Stratton System	BS	394805		<b>2-2188</b>	5742
12-38XL Lawn Tractor	Briggs & Stratton 12.5HP	96-93	Briggs & Stratton System	BS	394805		<b>2-2188</b>	5742
12-44 Pro Lawn Tractor	Briggs & Stratton 12.5HP	88	Briggs & Stratton System	BS	490420		<b>2-2191</b>	5746
13-32 Rear Engine Rider	Briggs & Stratton 13HP	97-96	Briggs & Stratton System	BS	497595		<b>2-2188</b>	5742
13-32XL Lawn Tractor	Briggs & Stratton 12HP	97	Briggs & Stratton System	BS	394805		<b>2-2188</b>	5742
13-32XLE Lawn Tractor	Briggs & Stratton 13HP	01-99	Briggs & Stratton System	BS	497595		<b>2-2188</b>	5742
13-38HXL Lawn Tractor	Briggs & Stratton 13HP	96-94	Briggs & Stratton System	BS	394805		<b>2-2188</b>	5742
13-38XL Lawn Tractor	Briggs & Stratton 13HP	98-96	Briggs & Stratton System	BS	497595		<b>2-2188</b>	5742
		95	Briggs & Stratton System	BS	394805		<b>2-2188</b>	5742
14-38HXL Lawn Tractor	Briggs & Stratton 14HP	98-96	Briggs & Stratton System	BS	497595		<b>2-2188</b>	5742
14-38XL Lawn Tractor	Briggs & Stratton 14.5HP	99	Briggs & Stratton System	BS	497595		<b>2-2188</b>	5742
15-44HXL Lawn Tractor	Briggs & Stratton 15.5HP	96-95	Briggs & Stratton System	BS	497595		<b>2-2188</b>	5742
16-44HXL Lawn Tractor	Briggs & Stratton 16HP	98-96	Briggs & Stratton System	BS	497595		<b>2-2188</b>	5742
19-52ZX TimeCutter ZX Riding Mower	Kawasaki 19HP	04	United Tech System	UT	21163-7010		<b>2-2432-UT</b>	5951
110-4 Rear Engine Rider	Briggs & Stratton 10.5HP	93-89	Briggs & Stratton System	BS	394805		<b>2-2188</b>	5742
112-6 Rear Engine Rider	Briggs & Stratton 12.5HP	92-89	Briggs & Stratton System	BS	394805		<b>2-2188</b>	5742
190-DH Lawn Tractor	Briggs & Stratton 19HP	04-00	Briggs & Stratton System	BS	691262		<b>2-2191</b>	5746
212-5 Tractor	Briggs & Stratton 12HP	91-89	Briggs & Stratton System	BS	494198		<b>2-2191</b>	5746
	Kawasaki 12.5HP	91-88	Denso System	ND 0.7	21163-2070		<b>2-2644-ND</b>	18011
212-5SB Tractor	Briggs & Stratton 12HP	91-90	Briggs & Stratton System	BS	494198		<b>2-2191</b>	5746
	Kawasaki 12.5HP	89-88	Denso System	ND 0.7	21163-2070		<b>2-2644-ND</b>	18011
212-6 Tractor	Kawasaki 12HP	88-87	Denso System	ND 0.7	KW10088		<b>2-2644-ND</b>	18011
212-H Tractor	Briggs & Stratton 12HP	91-89	Briggs & Stratton System	BS	394805		<b>2-2188</b>	5742
	Kawasaki 12.5HP	91-89	Denso System	ND 0.7	21163-2070		<b>2-2644-ND</b>	18011
212-HSB Tractor	Briggs & Stratton 12HP	90	Briggs & Stratton System	BS	394805		<b>2-2188</b>	5742
216-5 Tractor	Briggs & Stratton 16HP	87-85	Briggs & Stratton System	BS	394808		<b>2-2189</b>	5743
216-H Tractor	Briggs & Stratton 16HP	90	Briggs & Stratton System	BS	497401		<b>2-2191</b>	5778
222-5 Tractor	Kawasaki 12.5HP	88	Denso System	ND 0.6			<b>2-2740-ND-2</b>	18403
246-H Yard Tractor	Briggs & Stratton 16HP	93-92	Briggs & Stratton System	BS	497401		<b>2-2191</b>	5778
264-6 Yard Tractor	Kohler 14HP	96-94	United Tech System	UT	12-098-05		<b>2-2242</b>	5771
264-H Yard Tractor	Kohler 14HP	96-94	United Tech System	UT	12-098-05		<b>2-2242</b>	5771
265-6 Lawn and Garden Tractor	Kohler 15HP	00-98	United Tech System	UT	12-098-13		<b>2-2241</b>	5770
265-6 Yard Tractor	Kohler 15HP	97-96	United Tech System	UT	12-098-13		<b>2-2241</b>	5770
265-H Lawn and Garden Tractor	Kohler 15HP	02-01	United Tech System	UT	12-098-15-S		<b>2-2241</b>	5770
		00-96	United Tech System	UT	12-098-13		<b>2-2241</b>	5770
266-H Lawn and Garden Tractor	Kohler 16HP	02-01	United Tech System	UT	12-098-15-S		<b>2-2241</b>	5770
266-H Yard Tractor	Kohler 16HP	96-94	Denso System	ND 0.6	12-098-03		<b>2-2022-ND</b>	17628
266-HE Lawn and Garden Tractor	Kohler 16HP	02-01	United Tech System	UT	12-098-15-S		<b>2-2241</b>	5770
267-H Lawn and Garden Tractor	Kohler 17HP	98-96	Denso System	ND 0.6	12-098-03		<b>2-2022-ND</b>	17628
268-H Lawn and Garden Tractor	Kohler 18HP	02-99	Denso System	ND 0.6	12-098-03		<b>2-2022-ND</b>	17628
268-H Yard Tractor	Kohler 16HP	95-94	Denso System	ND 0.6	12-098-03		<b>2-2022-ND</b>	17628
268-HE Lawn and Garden Tractor	Kohler 18HP	03-00	Denso System	ND 0.6	12-098-03		<b>2-2022-ND</b>	17628

Model	Engine	Year	Option	Mfg KW	OEM #	PART NO.	REF.	
<b>TORO - continued</b>								
<b>Tractors - Lawn - continued</b>								
269-H Lawn and Garden Tractor	Kohler 19HP	98-96	Denso System	ND 0.6	12-098-03	2-2022-ND	17628	
270-H Lawn and Garden Tractor	Kohler 20HP	02-96	Denso System	ND 0.6	12-098-03	2-2022-ND	17628	
270-HE Lawn and Garden Tractor	Kohler 20HP	03-00	Denso System	ND 0.6	12-098-03	2-2022-ND	17628	
310-8 Garden Tractor	Kohler 10HP	93-88	United Tech System	UT	KH10187	2-2175-UT	5756	
312-8 Garden Tractor	Kohler 12HP	96-88	United Tech System	UT	41-098-04	2-2175-UT	5756	
	Kohler 12.5HP	01-98	United Tech System	UT	12-098-12	2-2242	5771	
312-H Garden Tractor	Kohler 12HP	92-90	United Tech System	UT	41-098-04	2-2175-UT	5756	
314-8 Garden Tractor	Kohler 14HP	01-99	United Tech System	UT	12-098-12	2-2242	5771	
		98-96	United Tech System	UT	41-098-04	2-2175-UT	5756	
		95-93	United Tech System	UT	41-098-06	2-2175-UT	5756	
314-H Garden Tractor	Kohler 14HP	97	United Tech System	UT	41-098-04	2-2175-UT	5756	
		96-93	United Tech System	UT	41-098-06	2-2175-UT	5756	
315-8 Garden Tractor	Kohler 15HP	04-02	United Tech System	UT	12-098-19-S	2-2242	5771	
316-8 Garden Tractor	Onan 16HP	92	Mitsubishi System	MI	71-6040	2-1554-MI-1	17291	
		90-88	Mitsubishi System	MI 0.8	NN10268	2-2668-MI	17312	
410 Garden Tractor	Kohler 460cc	05	United Tech System	UT	12-098-22-S	2-2241	5770	
414-8 Garden Tractor	Kohler 14HP	89-86	United Tech System	UT	KH10187	2-2175-UT	5756	
416-8 Garden Tractor	Kohler 16HP	88-85	United Tech System	UT	KH10187	2-2175-UT	5756	
		Onan 14HP	97-96	Mitsubishi System	MI	71-6040	2-1554-MI-1	17291
		Onan 16HP	97-89	Mitsubishi System	MI	71-6040	2-1554-MI-1	17291
416-H Garden Tractor	Onan 16HP	97-92	Mitsubishi System	MI	71-6040	2-1554-MI-1	17291	
		91-90	Mitsubishi System	MI 0.8	NN10268	2-2668-MI	17312	
416XT Garden Tractor	Kohler 16HP	04-03	United Tech System	UT	12-098-22-S	2-2241	5770	
417XT Garden Tractor	Kawasaki 17HP	04-03	United Tech System	UT	21163-7010	2-2432-UT	5951	
419XT Garden Tractor	Kawasaki 19HP	04-03	United Tech System	UT	21163-7010	2-2432-UT	5951	
420 Garden Tractor	Kawasaki 585cc	06-05	United Tech System	UT	21163-7010	2-2432-UT	5951	
430 Garden Tractor	Kawasaki 585cc	06-05	United Tech System	UT	21163-7010	2-2432-UT	5951	
516-H Garden Tractor	Onan 16HP	88	Mitsubishi System	MI 0.8	NN10268	2-2668-MI	17312	
518-H Garden Tractor	Onan 18HP	90-88	Mitsubishi System	MI 0.8	NN10268	2-2668-MI	17312	
518-HE Automatic Garden Tractor	Onan 18HP	88	Mitsubishi System	MI 0.8	NN10268	2-2668-MI	17312	
518xi Garden Tractor	Kohler 18HP	01-98	Denso System	ND 0.6	24-098-01	2-2022-ND	17628	
520-8 Garden Tractor	Onan 20HP	90	Mitsubishi System	MI 0.8	NN10268	2-2668-MI	17312	
520-H Garden Tractor	Onan 20HP	97-91	Mitsubishi System	MI	71-6040	2-1554-MI-1	17291	
		90-88	Mitsubishi System	MI 0.8	NN10268	2-2668-MI	17312	
520-HC Garden Tractor	Onan 20HP	89-88	Mitsubishi System	MI 0.8	NN10268	2-2668-MI	17312	
520xi Garden Tractor	Kohler 20HP	04-98	Denso System	ND 0.6	24-098-01	2-2022-ND	17628	
522xi Garden Tractor	Kohler 22HP	04-98	Denso System	ND 0.6	24-098-01	2-2022-ND	17628	
550 Garden Tractor	Kohler 674cc	05	Denso System	ND 0.6	24-098-01	2-2022-ND	17628	
825 Recycler Rider	Briggs & Stratton 8HP	91	Briggs & Stratton System	BS	394805	2-2188	5742	
DH 220 Lawn Tractor	Briggs & Stratton 656cc	09-05	Briggs & Stratton System	BS	691262	2-2191	5746	
HMR-1200	Briggs & Stratton 12HP	89	Briggs & Stratton System	BS	490420	2-2191	5746	
HMR-1600	Kohler 16HP	89	United Tech System	UT	52-098-03	2-2083-UT	5757	
LT10 Lawn Tractor	Briggs & Stratton 10HP	93	Briggs & Stratton System	BS	394805	2-2188	5742	
LT11 Lawn Tractor	Briggs & Stratton 11HP	89-88	Briggs & Stratton System	BS	693054	2-2188	5742	
LT12 Lawn Tractor	Briggs & Stratton 12HP	91-88	Briggs & Stratton System	BS	394805	2-2188	5742	
LT12G Lawn Tractor	Briggs & Stratton 12HP	95-94	Briggs & Stratton System	BS	394805	2-2188	5742	
LT12H Lawn Tractor	Briggs & Stratton 12HP	91-89	Briggs & Stratton System	BS	394805	2-2188	5742	
LT12.5 Lawn Tractor	Briggs & Stratton 12.5HP	93-92	Briggs & Stratton System	BS	394805	2-2188	5742	
LT12.5G Lawn Tractor	Briggs & Stratton 12.5HP	95	Briggs & Stratton System	BS	394805	2-2188	5742	
LT12.5H Lawn Tractor	Briggs & Stratton 12.5HP	93-91	Briggs & Stratton System	BS	394805	2-2188	5742	
LT13H Lawn Tractor	Briggs & Stratton 13HP	95-94	Briggs & Stratton System	BS	394805	2-2188	5742	
LX420	Kohler 18HP	06	United Tech System	UT	20-098-01S	2-2855-UT	5796	
LX425	Kohler 20HP SV540	07	United Tech System	UT	20-098-01S	2-2855-UT	5796	
LX460	Kohler 20HP	06	United Tech System	UT	20-098-01S	2-2855-UT	5796	
LX465	Kohler 20HP	07	United Tech System	UT	20-098-01S	2-2855-UT	5796	
LX466	Briggs & Stratton 22HP	08	Briggs & Stratton System	BS	497595	2-2188	5742	
MZ19H Riding Mower	Kawasaki 19HP	05-04	United Tech System	UT	21163-7010	2-2432-UT	5951	
Precision Z320 H Riding Mower	Honda 390cc	07-05	United Tech System	UT	31200-ZF5-L32	2-2946	5917	
Precision Z3500 HLX Riding Mower	Kawasaki 21HP	08	United Tech System	UT	21163-7022	2-2432-UT	5951	

◆ See Buyer's Guide for Optional Units

# STARTERS

Model	Engine	Year	Option	Mfg	KW	OEM #	PART NO.	REF.
-------	--------	------	--------	-----	----	-------	----------	------

## TORO - continued

### Utility Vehicle (UTV)

Twister 1400 Utility Vehicle	Briggs & Stratton 16HP	02	Briggs & Stratton System	BS	691564		<b>2-2407</b>	5776
Twister 1600 Utility Vehicle	Briggs & Stratton 16HP	08-02	Briggs & Stratton System	BS	691564		<b>2-2407</b>	5776
Workman 3100	Kohler 23HP Gas	09-02	Delco System	DR	25-098-08-S		<b>2-2022-DR</b>	6744
		01-94	Denso System	ND 0.6	24-098-01		<b>2-2022-ND</b>	17628

## U.S. MARINE

### Outboard Motors

125 HP		89-66	UT System	UT	4412040		<b>2-2082-UT</b>	5732
140 HP		89-66	UT System	UT	4412040		<b>2-2082-UT</b>	5732
150 HP		89-66	UT System	UT	4412040		<b>2-2082-UT</b>	5732
35 HP		89-64	UT System	UT	4411940		<b>2-3147-UT</b>	5727
45 HP		89-64	UT System	UT	4411940		<b>2-3147-UT</b>	5727
50 HP		89-64	UT System	UT	4411940		<b>2-3147-UT</b>	5727
55 HP		89-64	UT System	UT	4411940		<b>2-3147-UT</b>	5727
70 HP		89-66	UT System	UT	4412040		<b>2-2082-UT</b>	5732
85 HP		89-66	UT System	UT	4412040		<b>2-2082-UT</b>	5732

## UNIVERSAL

### Inboard

5411	2cyl 11HP Diesel	82-77	Kubota Z-500 Engine	ND 0.8	301295		<b>2-1421-ND</b>	17354
5421	3cyl 21HP Diesel	81-78	Kubota D-850 Engine	ND 0.8	299512		<b>2-1421-ND</b>	17354
5432 Atomic Four	4cyl 32HP Diesel	82-78	Kubota V-1501 Engine	ND 1.4	299574		<b>2-2107-ND</b>	16650
5444	4cyl 44HP Diesel	82-80	Kubota V-1902 Engine	ND 1.4	299574		<b>2-2107-ND</b>	16650
M2-12	2cyl 11HP Diesel	97-87	Kubota Z-430 Engine	ND 0.8	301295		<b>2-1421-ND</b>	17354
M3-20	3cyl 18HP Diesel	93-88	Kubota D-640 Engine	ND 0.8	301295		<b>2-1421-ND</b>	17354
M3-20A	3cyl 18HP Diesel	97-94	Kubota D-640 Engine	ND 0.8	301295		<b>2-1421-ND</b>	17354
M3-20B	3cyl Diesel	04-98		ND 0.8	301295		<b>2-1421-ND</b>	17354
M-12	2cyl 10HP Diesel	88-83	Kubota Z-400 Engine	ND 0.8	301295		<b>2-1421-ND</b>	17354
M-15	2cyl 11HP Diesel	83-82	Kubota Z-500 Engine	ND 0.8	301295		<b>2-1421-ND</b>	17354
M-25	3cyl 21HP Diesel	86-81	Kubota D-850 Engine	ND 0.8	299512		<b>2-1421-ND</b>	17354
M-25 XP	3cyl 23HP Diesel	93-86	Kubota D-950 Engine	ND 0.8	299512		<b>2-1421-ND</b>	17354
M-25 XPA	3cyl 23HP Diesel	99-94	Kubota D-950 Engine	ND 0.8	299512		<b>2-1421-ND</b>	17354
M-40	4cyl 32HP Diesel	98-82	Kubota V-1501 Engine	ND 1.4	299574		<b>2-2107-ND</b>	16650
M-50	4cyl 44HP Diesel	97-82	Kubota V-1902 Engine	ND 1.4	299574		<b>2-2107-ND</b>	16650
Super Sabre	6cyl, 225ci, Gas	64-63	w/CW	DR			<b>2-1592-DR ♦</b>	3664

## VICTORY

### Motorcycles

Classic Cruiser	1507cc	03	Black Finish	PO	4060155		<b>2-2880</b>	18861
Deluxe Cruiser	1507cc	02-01	Black Finish	PO	4060155		<b>2-2880</b>	18861
Deluxe Touring Cruiser	1507cc	02	Black Finish	PO	4060155		<b>2-2880</b>	18861
Hammer	1507cc	05	Black Finish	PO	4060155		<b>2-2880</b>	18861
Kingpin	1507cc	05-04	Black Finish	PO	4060155		<b>2-2880</b>	18861
Ness Signature Kingpin	1507cc	05	Black Finish	PO	4060155		<b>2-2880</b>	18861
Ness Signature Vegas	1507cc	05	Black Finish	PO	4060155		<b>2-2880</b>	18861
Special Edition	1507cc	00	Black Finish	PO	4060155		<b>2-2880</b>	18861
Sport Cruiser	1507cc	01-00	Black Finish	PO	4060155		<b>2-2880</b>	18861
Standard Cruiser	1507cc	02-99	Black Finish	PO	4060155		<b>2-2880</b>	18861
Touring Cruiser	1507cc	05-03	Black Finish	PO	4060155		<b>2-2880</b>	18861
		02	Black Finish	PO	4060155		<b>2-2880</b>	18861
Vegas	1507cc	05-03	Black Finish	PO	4060155		<b>2-2880</b>	18861
Vegas 8-Ball	1507cc	05	Black Finish	PO	4060155		<b>2-2880</b>	18861

## VOLVO PENTA

### Inboard & Sterndrive

3.0GL	4cyl, 181ci, 3.0L Gas	99-93	Delco PG260M Starter (Straight Mount)	DR 1.7	3856003-3		<b>2-1760-DR-2</b>	6563
3.0GLM	4cyl, 181ci, 3.0L Gas	07-00	Delco PG260G Starter (Offset Mount)	DR 1.4	3885317		<b>2-1999-DR-2 ♦</b>	6792
3.0GLP	4cyl, 181ci, 3.0L Gas	07-00	Delco PG260G Starter (Offset Mount)	DR 1.4	3885317		<b>2-1999-DR-2 ♦</b>	6792
3.0GS	4cyl, 181ci, 3.0L Gas	99-93	Delco PG260M Starter (Straight Mount)	DR 1.7	3856003-3		<b>2-1760-DR-2</b>	6563
3.0GSM	4cyl, 181ci, 3.0L Gas	02-00	Delco PG260G Starter (Offset Mount)	DR 1.4	3885317		<b>2-1999-DR-2 ♦</b>	6792
3.0GSP	4cyl, 181ci, 3.0L Gas	02-00	Delco PG260M Starter (Offset Mount)	DR 1.7	3856004		<b>2-1691-DR-2</b>	6562

Model	Engine	Year	Option	Mfg KW	OEM #	PART NO.	REF.
<b>VOLVO PENTA - continued</b>							
<b>Inboard &amp; Sterndrive - continued</b>							
4.3Gi	6cyl, 262ci, 4.3L Gas	99-93	Delco PG260M Starter (Offset Mount)	DR 1.7	3856004	2-1691-DR-2	6562
4.3GL	6cyl, 262ci, 4.3L Gas	07-00	Delco PG260G Starter (Offset Mount)	DR 1.4	3885317	2-1999-DR-2	6792
			Delco PG260M Starter (Offset Mount)	DR 1.7	3856004	2-1691-DR-2	6562
		99-93	Delco PG260M Starter (Offset Mount)	DR 1.7	3856004	2-1691-DR-2	6562
4.3GS	6cyl, 262ci, 4.3L Gas	99-93	Delco PG260M Starter (Offset Mount)	DR 1.7	3856004	2-1691-DR-2	6562
4.3GXi, Osi	6cyl, 262ci, 4.3L Gas	07-00	Delco PG260G Starter (Offset Mount)	DR 1.4	3885317	2-1999-DR-2	6792
			Delco PG260M Starter (Offset Mount)	DR 1.7	3856004	2-1691-DR-2	6562
5.0Fi	8cyl, 302ci, 5.0L Gas (Ford)	99-93	Ford PMGR Starter	FD	3854190	2-2750-FD-2	3200
5.0FL	8cyl, 302ci, 5.0L Gas (Ford)	99-93	Ford PMGR Starter	FD	3854190	2-2750-FD-2	3200
5.0Gi	8cyl, 305ci, 5.0L Gas (GM)	99-97	Delco PG260M Starter (Offset Mount)	DR 1.7	3856004	2-1691-DR-2	6562
5.0GL	8cyl, 305ci, 5.0L Gas (GM)	07-00	Delco PG260G Starter (Offset Mount)	DR 1.4	3885317	2-1999-DR-2	6792
			99-97	Delco PG260M Starter (Offset Mount)	DR 1.7	3856004	2-1691-DR-2
5.0GXi, Osi	8cyl, 305ci, 5.0L Gas (GM)	07-01	Delco PG260G Starter (Offset Mount)	DR 1.4	3885317	2-1999-DR-2	6792
5.7Gi	8cyl, 350ci, 5.7L Gas	07-00	Delco PG260G Starter (Offset Mount)	DR 1.4	3885317	2-1999-DR-2	6792
			99-93	Delco PG260M Starter (Offset Mount)	DR 1.7	3856004	2-1691-DR-2
			Delco 10MT Starter (Offset Mount)	DR	3850525	2-2909-DR	6423
5.7GiL	8cyl, 350ci, 5.7L Gas	07-00	Delco PG260L Starter (Flange Mount)	DR 1.6	3862985	2-2361-DR-2	6793
5.7GL	8cyl, 350ci, 5.7L Gas	07-00	Delco PG260G Starter (Offset Mount)	DR 1.4	3885317	2-1999-DR-2	6792
			99-93	Delco PG260M Starter (Offset Mount)	DR 1.7	3856004	2-1691-DR-2
			Delco 10MT Starter (Offset Mount)	DR	3850525	2-2909-DR	6423
5.7GLi	8cyl, 350ci, 5.7L Gas	99-93	Delco PG260M Starter (Offset Mount)	DR 1.7	3856004	2-1691-DR-2	6562
5.7GS	8cyl, 350ci, 5.7L Gas	99-93	Delco PG260M Starter (Offset Mount)	DR 1.7	3856004	2-1691-DR-2	6562
5.7GSi	8cyl, 350ci, 5.7L Gas	99-93	Delco PG260M Starter (Offset Mount)	DR 1.7	3856004	2-1691-DR-2	6562
5.7GSiL	8cyl, 350ci, 5.7L Gas	02-00	Delco PG260L Starter (Flange Mount)	DR 1.6	3862985	2-2361-DR-2	6793
5.7GXi	8cyl, 350ci, 5.7L Gas	07-00	Delco PG260G Starter (Offset Mount)	DR 1.4	3885317	2-1999-DR-2	6792
5.7GXiL	8cyl, 350ci, 5.7L Gas	07-00	Delco PG260L Starter (Flange Mount)	DR 1.6	3862985	2-2361-DR-2	6793
5.7OSi	8cyl, 350ci, 5.7L Gas	07-00	Delco PG260G Starter (Offset Mount)	DR 1.4	3885317	2-1999-DR-2	6792
5.7OXi	8cyl, 350ci, 5.7L Gas	07-00	Delco PG260G Starter (Offset Mount)	DR 1.4	3885317	2-1999-DR-2	6792
5.8Fi	8cyl, 351ci, 5.8L Gas	96-94	Ford PMGR Starter	FD	3854190	2-2750-FD-2	3200
5.8FL	8cyl, 351ci, 5.8L Gas	96-94	Ford PMGR Starter	FD	3854190	2-2750-FD-2	3200
5.8Fsi	8cyl, 351ci, 5.8L Gas	96-94	Ford PMGR Starter	FD	3854190	2-2750-FD-2	3200
7.4Gi	8cyl, 454ci, 7.4L Gas	99-94	Delco PG260G (Offset; Replaces Earlier)	DR 1.4	3885317	2-1999-DR-2	6792
			Delco PG260M (Offset; Earlier Models)	DR 1.7	3856004	2-1691-DR-2	6562
7.4GL	8cyl, 454ci, 7.4L Gas	99-94	Delco PG260M Starter (Offset Mount)	DR 1.7	3856004	2-1691-DR-2	6562
			Delco 10MT Starter (Offset Mount)	DR	3850525	2-2909-DR	6423
7.4Gsi	8cyl, 454ci, 7.4L Gas	99-94	Delco PG260G (Offset; Replaces Earlier)	DR 1.4	3885317	2-1999-DR-2	6792
			Delco PG260M (Offset; Earlier Models)	DR 1.7	3856004	2-1691-DR-2	6562
8.1Gi	8cyl, 496ci, 8.1L Gas	07-00	Delco PG260G (Offset; Replaces Earlier)	DR 1.4	3885317	2-1999-DR-2	6792
			Delco PG260M (Offset; Earlier Models)	DR 1.7	3856004	2-1691-DR-2	6562
8.1GiL	8cyl, 496ci, 8.1L Gas	07-00	Delco PG260L Starter (Flange Mount)	DR 1.6	3862985	2-2361-DR-2	6793
			Delco 10MT Starter (Flange Mount)	DR	855334	2-2752-DR-2	6616
8.1GSi	8cyl, 496ci, 8.1L Gas	02-00	Delco PG260G Starter (Offset Mount)	DR 1.4	3885317	2-1999-DR-2	6792
8.1GSiL	8cyl, 496ci, 8.1L Gas	02-00	Delco PG260L Starter (Flange Mount)	DR 1.6	3862985	2-2361-DR-2	6793
			Delco 10MT Starter (Flange Mount)	DR	855334	2-2752-DR-2	6616
8.1GXi	8cyl, 496ci, 8.1L Gas	07-00	Delco PG260G (Offset; Replaces Earlier)	DR 1.4	3885317	2-1999-DR-2	6792
			Delco PG260M (Offset; Earlier Models)	DR 1.7	3856004	2-1691-DR-2	6562
8.1GXiL	8cyl, 496ci, 8.1L Gas	07-00	Delco PG260L Starter (Flange Mount)	DR 1.6	3862985	2-2361-DR-2	6793
			Delco 10MT Starter (Flange Mount)	DR	855334	2-2752-DR-2	6616
8.1OSi	8cyl, 496ci, 8.1L Gas	07-01	Delco PG260G (Offset; Replaces Earlier)	DR 1.4	3885317	2-1999-DR-2	6792
			Delco PG260M (Offset; Earlier Models)	DR 1.7	3856004	2-1691-DR-2	6562
8.2GL	8cyl, 502ci, 8.2L Gas	99-94	Delco PG260M Starter (Offset Mount)	DR 1.7	3856004	2-1691-DR-2	6562
			Delco 10MT Starter (Offset Mount)	DR	3850525	2-2909-DR	6423
8.2GSi	8cyl, 502ci, 8.2L Gas	99-94	Delco PG260G (Offset; Replaces Earlier)	DR 1.4	3885317	2-1999-DR-2	6792
			Delco PG260M (Offset; Earlier Models)	DR 1.7	3856004	2-1691-DR-2	6562
251A - DOHC	4cyl, 152ci, 2.49L Gas	92-89	Valeo PMGR Starter	VA 1.1	873549-0	2-2893-VA	17315
431A,B	6cyl, 262ci, 4.3L Gas	92-89	Delco PG260M Starter (Offset Mount)	DR 1.7	3856004	2-1691-DR-2	6562
432A,B	6cyl, 262ci, 4.3L Gas	98-92	Delco PG260M Starter (Offset Mount)	DR 1.7	3856004	2-1691-DR-2	6562
434A,B	6cyl, 262ci, 4.3L Gas	97-92	Delco PG260M Starter (Offset Mount)	DR 1.7	3856004	2-1691-DR-2	6562
500A,B	8cyl, 305ci, 5.0L Gas (GM)	93-89	Delco PG260M Starter (Offset Mount)	DR 1.7	3856004	2-1691-DR-2	6562

♦ See Buyer's Guide for Optional Units



# STARTERS

Model	Engine	Year	Option	Mfg	KW	OEM #	PART NO.	REF.
<b>VOLVO PENTA - continued</b>								
<b>Inboard &amp; Sterndrive - continued</b>								
501A,B	8cyl, 305ci, 5.0L Gas (GM)	93-89	Delco PG260M Starter (Offset Mount)	DR	1.7	3856004	2-1691-DR-2	6562
570A	8cyl, 350ci, 5.7L Gas	93-89	Delco PG260M Starter (Offset Mount)	DR	1.7	3856004	2-1691-DR-2	6562
572A,B	8cyl, 350ci, 5.7L Gas	98-91	Delco PG260M Starter (Offset Mount)	DR	1.7	3856004	2-1691-DR-2	6562
740A,B	8cyl, 454ci, 7.4L Gas	93-89	Delco PG260M Starter (Offset Mount)	DR	1.7	3856004	2-1691-DR-2	6562
2001	1cyl Diesel	93-83	Valeo PMGR Starter	VA	1.1	873549-0	2-2893-VA	17315
2002	2cyl Diesel	93-83	Valeo PMGR Starter	VA	1.1	873549-0	2-2893-VA	17315
			Hitachi DD Starter	VA	1.1	859553-0	2-2893-VA	16954
2002T	2cyl Diesel	93-83	Valeo PMGR Starter	VA	1.1	873549-0	2-2893-VA	17315
			Hitachi DD Starter	VA	1.1	859553-0	2-2893-VA	16954
2003,T	3cyl Diesel	93-83	Valeo PMGR Starter	VA	1.1	873549-0	2-2893-VA	17315
			Hitachi DD Starter	VA	1.1	859553-0	2-2893-VA	16954
2003R,S,S Turbo,V	3cyl Diesel	93-83	Valeo PMGR Starter	VA	1.1	873549-0	2-2893-VA	17315
AD31,A,B,D,L,P,X	4cyl, 146ci, 2.4L Diesel	04-86	Valeo OSGR Starter (12V)	VA	3.1	859252	2-2915-VA-1	17316
AD41A,B,D,L,P	6cyl, 219ci, 3.6L Diesel	05-88	Valeo OSGR Starter (12V)	VA	3.1	859252	2-2915-VA-1	17316
AQ125,A,B	4cyl Gas	85-81	Valeo PMGR Starter	VA	1.1	873549-0	2-2893-VA	17315
			Hitachi DD Starter	VA	1.1	859553-0	2-2893-VA	16954
AQ131A,B,C,D	4cyl Gas	89-85	Valeo PMGR Starter	VA	1.1	873549-0	2-2893-VA	17315
			Hitachi DD Starter	VA	1.1	859553-0	2-2893-VA	16954
AQ145A	4cyl Gas	85-79	Valeo PMGR Starter	VA	1.1	873549-0	2-2893-VA	17315
			Hitachi DD Starter	VA	1.1	859553-0	2-2893-VA	16954
AQ145B	4cyl Gas	85-79	Valeo PMGR Starter	VA	1.1	873549-0	2-2893-VA	17315
			Hitachi DD Starter	VA	1.1	859553-0	2-2893-VA	16954
AQ151A,B,C	4cyl Gas	89-85	Valeo PMGR Starter	VA	1.1	873549-0	2-2893-VA	17315
			Hitachi DD Starter	VA	1.1	859553-0	2-2893-VA	16954
AQ171A,C	4cyl Gas	94-86	Valeo PMGR Starter	VA	1.1	873549-0	2-2893-VA	17315
			Hitachi DD Starter	VA	1.1	859553-0	2-2893-VA	16954
AQ175A	6cyl Gas	85-81	Delco PMGR Starter	DR	1.7	3856003-3	2-1760-DR-2	6563
			Delco 10MT Starter	DR		855326-5	2-1591-DR ♦	3548
AQ190A	8cyl Gas	77-76	Ford System (CCW)	FD			2-2901-FD ♦	3134
			Ford System (CW)	FD		835635-4	2-2900-FD	3162
AQ200A,B,C,D,F	8cyl Gas	86-69	Delco PMGR Starter	DR	1.7	3856003-3	2-1760-DR-2	6563
			Delco 10MT Starter (CW)	DR		855326-5	2-1591-DR ♦	3548
			Prestolite System (CCW)	DR		835334	2-2923-DR	5178
AQ205A	6cyl Gas	89-88	Delco PMGR Starter	DR	1.7	3856003-3	2-1760-DR-2	6563
			Delco 10MT Starter (CW)	DR		855326-5	2-1591-DR ♦	3548
AQ211A	8cyl Gas	89-86	Delco PMGR Starter	DR	1.7	3856003-3	2-1760-DR-2	6563
			Delco 10MT Starter (CW)	DR		855326-5	2-1591-DR ♦	3548
AQ225A,B,C,D,F	8cyl Gas	86-73	Delco PMGR Starter	DR	1.7	3856003-3	2-1760-DR-2	6563
			Delco 10MT Starter (CW)	DR		855326-5	2-1591-DR ♦	3548
			Prestolite System (CCW)	DR		835334	2-2923-DR	5178
AQ231A,B	8cyl Gas	89-86	Delco PMGR Starter	DR	1.7	3856003-3	2-1760-DR-2	6563
			Delco 10MT Starter (CW)	DR		855326-5	2-1591-DR ♦	3548
AQ240A	8cyl Gas	77-76	Ford System (CCW)	FD			2-2901-FD ♦	3134
			Ford System (CW)	FD		835635-4	2-2900-FD	3162
AQ251		All	Valeo PMGR Starter	VA	1.1	873549-0	2-2893-VA	17315
AQ255A,B	8cyl Gas	78-77	Delco 10MT Starter (CW)	DR		855326-5	2-1591-DR ♦	3548
AQ260A,B	8cyl Gas	85-78	Delco PMGR Starter	DR	1.7	3856003-3	2-1760-DR-2	6563
			Delco 10MT Starter (CW)	DR		855326-5	2-1591-DR ♦	3548
AQ271A,B,C	8cyl Gas	89-86	Delco PMGR Starter	DR	1.7	3856003-3	2-1760-DR-2	6563
			Delco 10MT Starter (CW)	DR		855326-5	2-1591-DR ♦	3548
AQ280A	8cyl Gas	79-78	Delco 10MT Starter (CW)	DR		855326-5	2-1591-DR ♦	3548
AQ290A	8cyl Gas	85-79	Delco PMGR Starter	DR	1.7	3856003-3	2-1760-DR-2	6563
			Delco 10MT Starter (CW)	DR		855326-5	2-1591-DR ♦	3548
AQ311A,B	8cyl Gas	89-86	Delco PMGR Starter	DR	1.7	3856003-3	2-1760-DR-2	6563
			Delco 10MT Starter (CW)	DR		855326-5	2-1591-DR ♦	3548
AQAD30A	4cyl Diesel	86-83	Valeo System	VA	3.1	3803386	2-2915-VA-1	17316
AQAD31A	4cyl Diesel	89-86	Valeo System	VA	3.1	3803386	2-2915-VA-1	17316
AQAD32		All	Valeo System	VA	3.1	3803386	2-2915-VA-1	17316
AQAD40A,B	6cyl, 219ci, 3.6L Diesel	86-80	Valeo System	VA	3.1	3803386	2-2915-VA-1	17316

♦ See Buyer's Guide for Optional Units

Model	Engine	Year	Option	Mfg	KW	OEM #	PART NO.	REF.
<b>VOLVO PENTA - continued</b>								
<b>Inboard &amp; Stern Drive - continued</b>								
AQAD41		All	Valeo System	VA	3.1	3803386	2-2915-VA-1	17316
AQAD41A,B,D	6cyl, 219ci, 3.6L Diesel	94-86	Valeo System	VA	3.1	3803386	2-2915-VA-1	17316
AQD40A,B	6cyl Diesel	86-77	Valeo Replacement Unit	VA	3.1	3803386	2-2915-VA-1	17316
			Paris Rhone System	VA	3.1	829527-1	2-2915-VA-1	16464
AQD41	6cyl Diesel	All	Valeo Replacement Unit	VA	3.1	3803386	2-2915-VA-1	17316
			Paris Rhone System	VA	3.1	829527-1	2-2915-VA-1	16464
AQD41A	6cyl Diesel	89-86	Valeo Replacement Unit	VA	3.1	3803386	2-2915-VA-1	17316
			Paris Rhone System	VA	3.1	829527-1	2-2915-VA-1	16464
BB145A	4cyl Gas	85-79	Valeo PMGR Starter	VA	1.1	873549-0	2-2893-VA	17315
			Hitachi DD Starter	VA	1.1	859553-0	2-2893-VA	16954
BB225A,B,C	8cyl Gas	77-73	Delco 10MT Starter	DR		385326-5	2-1591-DR ♦	3548
BB231A	8cyl Gas	87	Delco PMGR Starter	DR	1.7	3856003-3	2-1760-DR-2	6563
			Delco 10MT Starter (CW)	DR		855326-5	2-1591-DR ♦	3548
BB260A,B,C	8cyl Gas	87-78	Delco PMGR Starter	DR	1.7	3856003-3	2-1760-DR-2	6563
			Delco 10MT Starter (CW)	DR		855326-5	2-1591-DR ♦	3548
BB261A	8cyl Gas	89-88	Delco PMGR Starter	DR	1.7	3856003-3	2-1760-DR-2	6563
			Delco 10MT Starter (CW)	DR		855326-5	2-1591-DR ♦	3548
D41A,B,D,L	6cyl, 219ci, 3.6L Diesel	99-88	Valeo System	VA	3.1	3803386	2-2915-VA-1	17316
DPX375	8cyl, 496ci, 8.1L Gas	02-00	Delco PMGR Starter	DR	1.4	3860566	2-1999-DR-2 ♦	6792
DPX385	8cyl, 454ci, 7.4L Gas	00-96	Delco PMGR Starter	DR	1.4	3860566	2-1999-DR-2 ♦	6792
DPX415	8cyl, 502ci, 8.2L Gas	00-96	Delco PMGR Starter	DR	1.7	3860764	2-1691-DR-2	6562
DPX420	8cyl, 496ci, 8.1L Gas	02-00	Delco PMGR Starter	DR	1.4	3860566	2-1999-DR-2 ♦	6792
DPX500	8cyl, 502ci, 8.2L Gas	02-99	Delco PMGR Starter	DR	1.4	3860566	2-1999-DR-2 ♦	6792
DPX525	8cyl, 502ci, 8.2L Gas	02-99	Delco PMGR Starter	DR	1.4	3860566	2-1999-DR-2 ♦	6792
DPX600	8cyl, 502ci, 8.2L Gas	02-99	Delco PMGR Starter	DR	1.4	3860566	2-1999-DR-2 ♦	6792
IPS500G	8cyl, 496ci, 8.1L Gas	07	Delco PMGR Starter	DR	1.4	3860566	2-1999-DR-2 ♦	6792
KAD32P	4cyl, 146ci, 2.4L Diesel	05-96	Valeo System	VA	3.1	859252	2-2915-VA-1	17316
KAD42A,B,P	6cyl, 219ci, 3.6L Diesel	01-91	Valeo System	VA	3.1	859252	2-2915-VA-1	17316
KAD43P	6cyl, 219ci, 3.6L Diesel	05-97	Valeo System	VA	3.1	859252	2-2915-VA-1	17316
KAD44P	6cyl, 219ci, 3.6L Diesel	04-97	Valeo System	VA	3.1	859252	2-2915-VA-1	17316
KAD300	6cyl, 219ci, 3.6L Diesel	05-01	Valeo System	VA	3.1	859252	2-2915-VA-1	17316
KAMD42A,B,P	6cyl, 219ci, 3.6L Diesel	97-91	Valeo System	VA	3.1	859252	2-2915-VA-1	17316
KAMD43P	6cyl, 219ci, 3.6L Diesel	05-97	Valeo System	VA	3.1	859252	2-2915-VA-1	17316
KAMD44P	6cyl, 219ci, 3.6L Diesel	04-99	Valeo System	VA	3.1	859252	2-2915-VA-1	17316
KAMD300	6cyl, 219ci, 3.6L Diesel	04-01	Valeo System	VA	3.1	859252	2-2915-VA-1	17316
MD30,A	4cyl Diesel	86-83	Valeo Replacement Unit	VA	3.1	3803386	2-2915-VA-1	17316
			Paris Rhone System	VA	3.1	829527-1	2-2915-VA-1	16464
MD31A	4cyl Diesel	94-86	Valeo System	VA	3.1	859252	2-2915-VA-1	17316
MD40A	6cyl Diesel	85-76	Valeo Replacement Unit	VA	3.1	3803386	2-2915-VA-1	17316
			Paris Rhone System	VA	3.1	829527-1	2-2915-VA-1	16464
TAMD30,A,B,C	4cyl Diesel	86-83	Valeo Replacement Unit	VA	3.1	3803386	2-2915-VA-1	17316
			Paris Rhone System	VA	3.1	829527-1	2-2915-VA-1	16464
TAMD31A,B,D,L,M,P,S,X	4cyl Diesel	04-85	Valeo Replacement Unit	VA	3.1	3803386	2-2915-VA-1	17316
			Paris Rhone System	VA	3.1	829527-1	2-2915-VA-1	16464
TAMD40A,B,C	6cyl Diesel	86-79	Valeo Replacement Unit	VA	3.1	859252	2-2915-VA-1	17316
			Paris Rhone System	VA	3.1	829527-1	2-2915-VA-1	16464
TAMD41A	6cyl, 219ci, 3.6L Diesel	05-86	Valeo Replacement Unit	VA	3.1	859252	2-2915-VA-1	17316
			Paris Rhone System	VA	3.1	829527-1	2-2915-VA-1	16464
TAMD41B,D,H,L,M,P	6cyl, 219ci, 3.6L Diesel	05-86	Valeo Replacement Unit	VA	3.1	859252	2-2915-VA-1	17316
			Paris Rhone System	VA	3.1	829527-1	2-2915-VA-1	16464
TAMD42A,B,WJ	6cyl, 219ci, 3.6L Diesel	03-92	Valeo System	VA	3.1	859252	2-2915-VA-1	17316
TMD30A,B	4cyl Diesel	86-83	Valeo Replacement Unit	VA	3.1	859252	2-2915-VA-1	17316
			Paris Rhone System	VA	3.1	829527-1	2-2915-VA-1	16464
TMD31A,B,D,L	4cyl, 146ci, 2.4L Diesel	97-86	Valeo System	VA	3.1	859252	2-2915-VA-1	17316
TMD40A,B,C	6cyl Diesel	86-76	Valeo Replacement Unit	VA	3.1	859252	2-2915-VA-1	17316
			Paris Rhone System	VA	3.1	829527-1	2-2915-VA-1	16464
TMD41A,B,D,L	6cyl, 219ci, 3.6L Diesel	97-86	Valeo System	VA	3.1	859252	2-2915-VA-1	17316

♦ See Buyer's Guide for Optional Units

# STARTERS

Model	Engine	Year	Option	Mfg	KW	OEM #	PART NO.	REF.
<b>WAUKESHA</b>								
<b>Inboard &amp; Sterndrive</b>								
302	8cyl, 302ci, 5.0L Ford	76-71	w/CCW	FD			2-2901-FD ♦	3134
			w/CW	FD			2-2900-FD	3162
351	8cyl, 351ci, 5.8L Ford	76-71	w/CCW	FD			2-2901-FD ♦	3134
			w/CW	FD			2-2900-FD	3162

## WESTERBEKE

<b>Generator Sets</b>								
6.5 TWG	4cyl, 65ci, 1.06L Gas	87-84	Delco System	DR	33486		2-2591-DR-2	6440
8.0 TWG	4cyl, 65.3ci, 1.07L Gas	87-83	Delco System	DR	33486		2-2591-DR-2	6440
11.0 TWG	4cyl, 65.3ci, 1.07L Gas	87-84	Delco System	DR	33486		2-2591-DR-2	6440
16.0 BED	4cyl Diesel	95-90	Delco System	DR	38384		50-8405	6572
16.0 BEDA	4cyl, 154ci, 2.5L Diesel	07-95	Delco System	DR	38384		50-8405	6572
16.0 BEG	4cyl, 133ci, 2.2L Gas	04-95	Delco System	DR	38384		50-8405	6572
16.0 BEGA	4cyl, 133ci, 2.2L Gas	07-04	Delco System	DR	38384		50-8405	6572
16.0 SBEG	4cyl, 133ci, 2.2L Gas	07-05	Delco System	DR	38384		50-8405	6572
18.7 SBEG	4cyl, 133ci, 2.2L Gas	07-05	Delco System	DR	38384		50-8405	6572
20.0 BED (50 Hertz)	4cyl, 182ci, 3.0L Diesel	07-92	Delco System	DR	38384		50-8405	6572
20.0 BED (60 Hertz)	4cyl Diesel	95-90	Delco System	DR	38384		50-8405	6572
20.0 BEDA	4cyl, 154ci, 2.5L Diesel	07-95	Delco System	DR	38384		50-8405	6572
20.0 BEG (50 Hertz)	4cyl, 133ci, 2.2L Gas	04-99	Delco System	DR	38384		50-8405	6572
20.0 BEG (60 Hertz)	4cyl, 133ci, 2.2L Gas	04-95	Delco System	DR	38384		50-8405	6572
20.0 BEGA (50 Hertz)	4cyl, 133ci, 2.2L Gas	07-04	Delco System	DR	38384		50-8405	6572
20.0 BEGA (60 Hertz)	4cyl, 133ci, 2.2L Gas	07-04	Delco System	DR	38384		50-8405	6572
20.0 SBEG	4cyl, 133ci, 2.2L Gas	07-05	Delco System	DR	38384		50-8405	6572
22.5 SBEG	4cyl, 133ci, 2.2L Gas	07-05	Delco System	DR	38384		50-8405	6572
25.0 BED (50 Hertz)	Diesel Engines	94-93	Delco System	DR	38384		50-8405	6572
25.0 BED (60 Hertz)	4cyl, 182ci, 3.0L Diesel	07-92	Delco System	DR	38384		50-8405	6572
25.0 BEDA	4cyl, 211ci, 3.5L Diesel	07-94	Delco System	DR	38384		50-8405	6572
25.0 BEDB	Diesel Engines	94	Delco System	DR	38384		50-8405	6572
25.0 BEG	4cyl, 133ci, 2.2L Gas	04-99	Delco System	DR	38384		50-8405	6572
25.0 BEGA	4cyl, 133ci, 2.2L Gas	07-04	Delco System	DR	38384		50-8405	6572
25.0 WMF (50 Hertz)	Diesel Engines	93-82	Delco System	DR	38384		50-8405	6572
32.0 BED	Diesel Engines	94-93	Delco System	DR	38384		50-8405	6572
32.0 BEDA	4cyl, 211ci, 3.5L Diesel	07-94	Delco System	DR	38384		50-8405	6572
32.0 BEDB	Diesel Engines	94	Delco System	DR	38384		50-8405	6572
32.0 WMF	Diesel Engines	93-82	Delco System	DR	38384		50-8405	6572
32.0 WTA	Diesel Engines	93-82	Delco System	DR	38384		50-8405	6572

<b>Inboard</b>								
108B Six	6cyl Diesel	94-91	Delco System	DR	38384		50-8405	6572
108C Six	6cyl, 247ci, 4.1L Diesel	07-94	Delco System	DR	38384		50-8405	6572
64A Four	4cyl, 182ci, 3.0L Diesel	07-03	Delco System	DR	38384		50-8405	6572
71C Four	4cyl, 154ci, 2.5L Diesel	07-94	Delco System	DR	38384		50-8405	6572
82B Four	4cyl, 182ci, 3.0L Diesel	07-91	Delco System	DR	38384		50-8405	6572
90A Four	4cyl, 211ci, 3.5L Diesel	07-99	Delco System	DR	38384		50-8405	6572

## WISCONSIN ROBBINS

<b>Engines</b>								
Various Models	EY18	90-76	Hitachi System	HI	0.6	S108-56	2-2010-HI	18304
		91-On	Hitachi System	HI	0.6	S108-56	2-2010-HI	18304
	EY21	78-On	Hitachi System	HI	1.0	S114-213	2-2011-HI	18312
		EY25	90-76	Hitachi System	HI	0.6	S108-56	2-2010-HI
	91-On		Hitachi System	HI	0.6	S108-56	2-2010-HI	18304
	EY27	90-76	Hitachi System	HI	0.6	S108-56	2-2010-HI	18304
		91-On	Hitachi System	HI	0.6	S108-56	2-2010-HI	18304
	EY30	91-On	Hitachi System	HI	0.6	S108-56	2-2010-HI	18304
	EY35	90-76	Hitachi System	HI	0.6	S108-56	2-2010-HI	18304
		91-On	Hitachi System	HI	0.6	S108-56	2-2010-HI	18304
	EY40	90-76	Hitachi System	HI	0.6	S108-56	2-2010-HI	18304
		91-On	Hitachi System	HI	0.6	S108-56	2-2010-HI	18304

♦ See Buyer's Guide for Optional Units

Model	Engine	Year	Option	Mfg KW	OEM #	PART NO.	REF.
<b>YAMAHA</b>							
<b>All-Terrain Vehicle (ATV)</b>							
YFA1 Breeze	124cc	04-89		MT	3FA-81800-01-00	<b>2-2500</b>	18755
YFM50 Raptor 50	49cc	08-04	Denso System	ND	55X-81800-51-00	<b>2-2187</b>	18340
YFM80 Badger	79cc	01-86	Denso System	ND	55X-81800-51-00	<b>2-2187</b>	18340
YFM80 Grizzly 80	79cc	08-05	Denso System	ND	55X-81800-51-00	<b>2-2187</b>	18340
YFM80 Raptor 80	79cc	08-02	Denso System	ND	55X-81800-51-00	<b>2-2187</b>	18340
YFM100 Champ	98cc	92-90	Denso System	ND	55X-81800-51-00	<b>2-2187</b>	18340
YFM100 Moto	98cc	89-85	Denso System	ND	55X-81800-51-00	<b>2-2187</b>	18340
YFM125 Grizzly	124cc	08-04	Mitsuba System	MT	3FA-81800-01-00	<b>2-2500</b>	18755
YFM225 Moto		88-86	Mitsuba System	MT	59V-81800-00-00	<b>2-2800-2</b>	18753
YFM250 Bear Tracker	230cc	99	Mitsuba System	MT	4XE-81800-00-00	<b>2-2800-2</b>	18753
YFM250 Moto	246cc	91-89	Mitsuba System	MT	3GH-81800-01-00	<b>2-2800-2</b>	18753
YFM35FX Wolverine		05-04	Mitsuba System	ND	4KB-81890-00-00	<b>2-2531</b>	18758
YFM35R Raptor	348cc	08-06	Mitsuba System	ND	1UY-81890-00-00	<b>2-2324</b>	18756
YFM35X Warrior		04	Mitsuba System	ND	1UY-81890-00-00	<b>2-2324</b>	18756
YFM350ER Moto		95-87	Mitsuba System	ND	1YW-81800-51-00	<b>2-2324</b>	18756
YFM350FW Big Bear	348cc	99-96	Mitsuba System	ND	2HR-81800-52-00	<b>2-2324</b>	18756
		95-87	Mitsuba System	ND	2HR-81800-51-00	<b>2-2324</b>	18756
YFM350FW Big Bear California		99-97	Mitsuba System	ND	4KB-81800-00-00	<b>2-2531</b>	18758
YFM350FWB Big Bear	348cc	98-97	Mitsuba System	ND	4KB-81800-00-00	<b>2-2531</b>	18758
YFM350FX Wolverine		03-00	Mitsuba System	ND	4KB-81890-00-00	<b>2-2531</b>	18758
		99-95	Mitsuba System	ND	4KB-81800-00-00	<b>2-2531</b>	18758
YFM350R Raptor	348cc	06-04	Mitsuba System	ND	1UY-81890-00-00	<b>2-2324</b>	18756
YFM350U Big Bear	348cc	99-96	Mitsuba System	ND	2HR-81800-52-00	<b>2-2324</b>	18756
YFM350X Warrior		03-00	Mitsuba System	ND	1UY-81890-00-00	<b>2-2324</b>	18756
		99-87	Mitsuba System	ND	1UY-81800-51-00	<b>2-2324</b>	18756
YFM4A Kodiak 400 2WD	401cc	06-04	Mitsuba System	MT	5KM-81890-00-00	<b>2-2532</b>	18759
YFM4FA Kodiak 400 4X4	401cc	06-04	Mitsuba System	MT	5KM-81890-00-00	<b>2-2532</b>	18759
YFM4FG Grizzly	401cc	08-07	Mitsuba System	MT	5KM-81890-00-00	<b>2-2532</b>	18759
YFM40 Big Bear 2X4	386cc	08-04	Mitsuba System	ND	4KB-81890-00-00	<b>2-2531</b>	18758
YFM40F Big Bear 4X4	386cc	08-04	Mitsuba System	ND	4KB-81890-00-00	<b>2-2531</b>	18758
YFM400 Big Bear	386cc	03-00	Mitsuba System	ND	4KB-81890-00-00	<b>2-2531</b>	18758
YFM400 Kodiak	401cc	03	Mitsuba System	MT	5KM-81890-00-00	<b>2-2532</b>	18759
		02-00	Mitsuba System	MT	4WV-81890-00-00	<b>2-2532</b>	18759
		99	Mitsuba System	ND	4KB-81800-00-00	<b>2-2531</b>	18758
		98-96	Mitsuba System	ND	2HR-81800-52-00	<b>2-2324</b>	18756
		95-93	Mitsuba System	ND	2HR-81800-51-00	<b>2-2324</b>	18756
YFM45FA Kodiak 450 4X4	421cc	06-04	Mitsuba System	MT	5KM-81890-00-00	<b>2-2532</b>	18759
YFM45FAH Kodiak 450 4X4	421cc	06-04	Mitsuba System	MT	5KM-81890-00-00	<b>2-2532</b>	18759
YFM45FG Grizzly	421cc	08-07	Mitsuba System	MT	5KM-81890-00-00	<b>2-2532</b>	18759
YFM45FX Wolverine	421cc	08-07	Mitsuba System	MT	5KM-81890-00-00	<b>2-2532</b>	18759
YFM450 Kodiak	421cc	04-03	Mitsuba System	MT	5KM-81890-00-00	<b>2-2532</b>	18759
YFM600 Grizzly	595cc	01-00	Mitsuba System	MT	4WV-81890-00-00	<b>2-2532</b>	18759
		99-98	Mitsuba System	MT	4WV-81800-00-00	<b>2-2532</b>	18759
YFM66 Grizzly 660	660cc	08-05	Mitsuba System	MT	5KM-81890-00-00	<b>2-2532</b>	18759
YFM660 Grizzly	660cc	04-02	Mitsuba System	MT	5KM-81890-00-00	<b>2-2532</b>	18759
		01	Mitsuba System	MT	4WV-81890-00-00	<b>2-2532</b>	18759
YFM660 Raptor 660	660cc	05-01	Mitsuba System	MT	3SX-81890-00-00	<b>2-2534</b>	18760
<b>Motorcycles</b>							
FJ1100	1097cc	85-84	Mitsuba System	MT	36Y-81800-10-00	<b>2-2538</b>	18734
FJ1200	1188cc	93-91	Mitsuba System	MT	36Y-81800-10-00	<b>2-2538</b>	18734
		90-86		MT	36Y-81800-10-00	<b>2-2538</b>	18734
VMX1200 V-Max	1198cc	00-85		MT	1FK-81800-10-00	<b>2-2530</b>	18750
XV700 Virago	696cc	87-86	Mitsuba System	MT	5A8-81800-10-00	<b>2-2176</b>	18737
		85-84	Mitsuba System	MT	42X-81800-60-00	<b>2-2177</b>	18727
XV750 Virago	749cc	97-90	Mitsuba System	MT	5A8-81800-10-00	<b>2-2176</b>	18737
		89-88	Mitsuba System	MT	5A8-81800-10-00	<b>2-2176</b>	18737
		83-81	Mitsuba System	MT	42X-81800-60-00	<b>2-2177</b>	18727
XV750 Virago Midnight	749cc	83	Mitsuba System	MT	42X-81800-60-00	<b>2-2177</b>	18727
XV920 Virago	920cc	83-81	Mitsuba System	MT	42X-81800-60-00	<b>2-2177</b>	18727

◆ See Buyer's Guide for Optional Units

# STARTERS

Model	Engine	Year	Option	Mfg	KW	OEM #	PART NO.	REF.
<b>YAMAHA - continued</b>								
<b>Motorcycles - continued</b>								
XV920 Virago Midnight	920cc	83	Mitsuba System	MT		42X-81800-60-00	2-2177	18727
XV920R Virago	920cc	82-81	Mitsuba System	MT		42X-81800-60-00	2-2177	18727
XV1000 Virago	1063cc	85-84	Mitsuba System	MT		5A8-81800-10-00	2-2176	18737
XV1100 Virago	1063cc	98-90	Mitsuba System	MT		5A8-81800-10-00	2-2176	18737
		89-86	Mitsuba System	MT		5A8-81800-10-00	2-2176	18737
XV1100SP Virago Special	1063cc	98-96	Mitsuba System	MT		5A8-81800-10-00	2-2176	18737
<b>Outboard Motors</b>								
9.9EL		90-86	Hitachi System	HI		682-81800-12	2-2452-HI-2	18301
		85-84	Hitachi System	HI		682-81800-11	2-2452-HI-2	18301
9.9ELH		96-91	Hitachi System	HI		682-81800-12	2-2452-HI-2	18301
9.9ELR		97-96	Hitachi System	HI		682-81800-12	2-2452-HI-2	18301
9.9ES		90-86	Hitachi System	HI		682-81800-12	2-2452-HI-2	18301
		85-84	Hitachi System	HI		682-81800-11	2-2452-HI-2	18301
9.9ESH		97-91	Hitachi System	HI		682-81800-12	2-2452-HI-2	18301
9.9L		90-86	Hitachi System	HI		682-81800-12	2-2452-HI-2	18301
		85-84	Hitachi System	HI		682-81800-11	2-2452-HI-2	18301
9.9MLH		97-91	Hitachi System	HI		682-81800-12	2-2452-HI-2	18301
9.9MSH		97-91	Hitachi System	HI		682-81800-12	2-2452-HI-2	18301
9.9S		90-86	Hitachi System	HI		682-81800-12	2-2452-HI-2	18301
		85-84	Hitachi System	HI		682-81800-11	2-2452-HI-2	18301
15EL		90-86	Hitachi System	HI		682-81800-12	2-2452-HI-2	18301
		85-84	Hitachi System	HI		682-81800-11	2-2452-HI-2	18301
15ELH		97-91	Hitachi System	HI		682-81800-12	2-2452-HI-2	18301
15ES		90-86	Hitachi System	HI		682-81800-12	2-2452-HI-2	18301
		85-84	Hitachi System	HI		682-81800-11	2-2452-HI-2	18301
15ESH		97-91	Hitachi System	HI		682-81800-12	2-2452-HI-2	18301
15L		90-86	Hitachi System	HI		682-81800-12	2-2452-HI-2	18301
		85-84	Hitachi System	HI		682-81800-11	2-2452-HI-2	18301
15MLH		97-91	Hitachi System	HI		682-81800-12	2-2452-HI-2	18301
15MSH		97-91	Hitachi System	HI		682-81800-12	2-2452-HI-2	18301
15S		90-86	Hitachi System	HI		682-81800-12	2-2452-HI-2	18301
		85-84	Hitachi System	HI		682-81800-11	2-2452-HI-2	18301
25EL		85-84	Hitachi System	HI		689-81800-13	2-2309-HI	18310
25ES		85-84	Hitachi System	HI		689-81800-13	2-2309-HI	18310
25L		85-84	Hitachi System	HI		689-81800-13	2-2309-HI	18310
25MHZ		01	Hitachi System	HI		6F5-81800-11	2-2516-HI	18346
25MLH		99	Hitachi System	HI		6F5-81800-11	2-2516-HI	18346
25MSH		99	Hitachi System	HI		6F5-81800-11	2-2516-HI	18346
25S		85-84	Hitachi System	HI		689-81800-13	2-2309-HI	18310
30EH		99	Hitachi System	HI		6F5-81800-11	2-2516-HI	18346
30EL		90-87	Hitachi System	HI		6J4-81800-01	2-2516-HI	18346
		86-84	Hitachi System	HI		689-81800-13	2-2309-HI	18310
30ELH		01-96	Hitachi System	HI		6F5-81800-11	2-2516-HI	18346
30ELR		01-96	Hitachi System	HI		6F5-81800-11	2-2516-HI	18346
		93-91	Hitachi System	HI		6J4-81800-01	2-2516-HI	18346
30ER		99	Hitachi System	HI		6F5-81800-11	2-2516-HI	18346
30ES		90-87	Hitachi System	HI		6J4-81800-01	2-2516-HI	18346
		86-84	Hitachi System	HI		689-81800-13	2-2309-HI	18310
30ESR		98-96	Hitachi System	HI		6F5-81800-11	2-2516-HI	18346
		93-91	Hitachi System	HI		6J4-81800-01	2-2516-HI	18346
30L		90-87	Hitachi System	HI		6J4-81800-01	2-2516-HI	18346
30MH		99	Hitachi System	HI		6F5-81800-11	2-2516-HI	18346
30MLH		01-96	Hitachi System	HI		6F5-81800-11	2-2516-HI	18346
		93-91	Hitachi System	HI		6J4-81800-01	2-2516-HI	18346
30MSH		02-96	Hitachi System	HI		6F5-81800-11	2-2516-HI	18346
		93-91	Hitachi System	HI		6J4-81800-01	2-2516-HI	18346
30S		90-87	Hitachi System	HI		6J4-81800-01	2-2516-HI	18346
40EJR		99-91	Hitachi System	HI		6F5-81800-11	2-2516-HI	18346

♦ See Buyer's Guide for Optional Units

Model	Engine	Year	Option	Mfg KW	OEM #	PART NO.	REF.
<b>YAMAHA - continued</b>							
<b>Outboard Motors - continued</b>							
40EL		90-89	Hitachi System	HI	6J4-81800-01	2-2516-HI	18346
		86-84	Hitachi System	HI	6H4-81800-12	2-2505-HI	18345
40ELR		98-91	Hitachi System	HI	6F5-81800-11	2-2516-HI	18346
40ES		90-89	Hitachi System	HI	6J4-81800-01	2-2516-HI	18346
		86-84	Hitachi System	HI	6H4-81800-12	2-2505-HI	18345
40ESR		99-91	Hitachi System	HI	6F5-81800-11	2-2516-HI	18346
40ETL		90-89	Hitachi System	HI	6J4-81800-01	2-2516-HI	18346
		86-85	Hitachi System	HI	6H4-81800-12	2-2505-HI	18345
40L		90-89	Hitachi System	HI	6J4-81800-01	2-2516-HI	18346
		86-84	Hitachi System	HI	6H4-81800-12	2-2505-HI	18345
40MH		00	Hitachi System	HI	6F5-81800-11	2-2516-HI	18346
40MJH		01-91	Hitachi System	HI	6F5-81800-11	2-2516-HI	18346
40MLH		01-91	Hitachi System	HI	6F5-81800-11	2-2516-HI	18346
40MSH		99-91	Hitachi System	HI	6F5-81800-11	2-2516-HI	18346
40PLR		94-91	Hitachi System	HI	6F5-81800-11	2-2516-HI	18346
40S		90-89	Hitachi System	HI	6J4-81800-01	2-2516-HI	18346
		86-84	Hitachi System	HI	6H4-81800-12	2-2505-HI	18345
40SJD		90-89	Hitachi System	HI	6J4-81800-01	2-2516-HI	18346
40TLH		97-96	Hitachi System	HI	6F5-81800-11	2-2516-HI	18346
40TLR		08-94	Hitachi System	HI	6F5-81800-11	2-2516-HI	18346
50EJR		99-92	Hitachi System	HI	6F5-81800-11	2-2516-HI	18346
		91	Hitachi System	HI	6J4-81800-01	2-2516-HI	18346
50EL		90-89	Hitachi System	HI	6J4-81800-01	2-2516-HI	18346
		88-86	Hitachi System	HI	6H4-81800-12	2-2505-HI	18345
50ELR		95-92	Hitachi System	HI	6F5-81800-11	2-2516-HI	18346
		91	Hitachi System	HI	6J4-81800-01	2-2516-HI	18346
50ER		00	Hitachi System	HI	6F5-81800-11	2-2516-HI	18346
50ES		90-89	Hitachi System	HI	6J4-81800-01	2-2516-HI	18346
		88-86	Hitachi System	HI	6H4-81800-12	2-2505-HI	18345
50ESJD		90-89	Hitachi System	HI	6J4-81800-01	2-2516-HI	18346
		88-87	Hitachi System	HI	6H4-81800-12	2-2505-HI	18345
50ETL		86	Hitachi System	HI	6H4-81800-12	2-2505-HI	18345
50ETML		90	Hitachi System	HI	6J4-81800-01	2-2516-HI	18346
50TH		94	Hitachi System	HI	6F5-81800-11	2-2516-HI	18346
50TLH		97-92	Hitachi System	HI	6F5-81800-11	2-2516-HI	18346
		91	Hitachi System	HI	6J4-81800-01	2-2516-HI	18346
50TLR		08-02	Hitachi System	HI	6F5-81800-11	2-2516-HI	18346
		97	Hitachi System	HI	6F5-81800-11	2-2516-HI	18346
60TLR		06-02	Hitachi System	HI	6H3-81800-11	2-2310-HI	18311
70ETL		90-84	Hitachi System	HI	6H3-81800-11	2-2310-HI	18311
70TLR		08-91	Hitachi System	HI	6H3-81800-11	2-2310-HI	18311
70TRX		99	Hitachi System	HI	6H3-81800-11	2-2310-HI	18311
90ETL		90-84	Hitachi System	HI	688-81800-12	2-2517-HI	18344
90ETLJD		90-87	Hitachi System	HI	688-81800-12	2-2517-HI	18344
90ETX		84	Hitachi System	HI	688-81800-12	2-2517-HI	18344
90TJR		01-91	Hitachi System	HI	688-81800-12	2-2517-HI	18344
90TLR		08-91	Hitachi System	HI	688-81800-12	2-2517-HI	18344
115ETL		90-84	Hitachi System	HI	6E5-81800-12	2-2167-HI	18314
115ETLJD		90-87	Hitachi System	HI	6E5-81800-12	2-2167-HI	18314
115ETX		90-84	Hitachi System	HI	6E5-81800-12	2-2167-HI	18314
115TJR		99-97	Hitachi System	HI	6N7-81800-00	2-2518-HI	18315
		96-91	Hitachi System	HI	6E5-81800-12	2-2167-HI	18314
115TLR		08-02	Hitachi System	HI	6N7-81800-10	2-2518-HI	18315
		98-97	Hitachi System	HI	6N7-81800-00	2-2518-HI	18315
		96-91	Hitachi System	HI	6E5-81800-12	2-2167-HI	18314
115TR		00	Hitachi System	HI	6N7-81800-10	2-2518-HI	18315
115TXR		08-02	Hitachi System	HI	6N7-81800-10	2-2518-HI	18315
		95-91	Hitachi System	HI	6E5-81800-12	2-2167-HI	18314
130ETL		90-88	Hitachi System	HI	6E5-81800-12	2-2167-HI	18314

◆ See Buyer's Guide for Optional Units

# STARTERS

Model	Engine	Year	Option	Mfg	KW	OEM #	PART NO.	REF.
<b>YAMAHA - continued</b>								
<b>Outboard Motors - continued</b>								
130ETX		90-88	Hitachi System	HI		6E5-81800-12	2-2167-HI	18314
130TLR		04-02	Hitachi System	HI		6N7-81800-10	2-2518-HI	18315
		99-97	Hitachi System	HI		6N7-81800-00	2-2518-HI	18315
		96-91	Hitachi System	HI		6E5-81800-12	2-2167-HI	18314
		00	Hitachi System	HI		6N7-81800-10	2-2518-HI	18315
130TR		00	Hitachi System	HI		6N7-81800-10	2-2518-HI	18315
130TXR		04-02	Hitachi System	HI		6N7-81800-10	2-2518-HI	18315
		95-91	Hitachi System	HI		6E5-81800-12	2-2167-HI	18314
150ETL		90-85	Hitachi System	HI		6E5-81800-12	2-2167-HI	18314
150ETX		90-85	Hitachi System	HI		6E5-81800-12	2-2167-HI	18314
150TJR		99-98	Hitachi System	HI		6N7-81800-01	2-2518-HI	18315
		97	Hitachi System	HI		6N7-81800-00	2-2518-HI	18315
		96	Hitachi System	HI		6E5-81800-12	2-2167-HI	18314
150TLR		98	Hitachi System	HI		6N7-81800-01	2-2518-HI	18315
		97	Hitachi System	HI		6N7-81800-00	2-2518-HI	18315
		96-91	Hitachi System	HI		6E5-81800-12	2-2167-HI	18314
150TR		00	Hitachi System	HI		6N7-81800-10	2-2518-HI	18315
150TXR		08-01	Hitachi System	HI		6N7-81800-10	2-2518-HI	18315
		95-91	Hitachi System	HI		6E5-81800-12	2-2167-HI	18314
175ETL		90-85	Hitachi System	HI		6E5-81800-12	2-2167-HI	18314
175ETX		90-85	Hitachi System	HI		6E5-81800-12	2-2167-HI	18314
175TLR		98	Hitachi System	HI		6N7-81800-01	2-2518-HI	18315
		97	Hitachi System	HI		6N7-81800-00	2-2518-HI	18315
		96-91	Hitachi System	HI		6E5-81800-12	2-2167-HI	18314
175TR		00	Hitachi System	HI		6N7-81800-10	2-2518-HI	18315
175TXR		95-91	Hitachi System	HI		6E5-81800-12	2-2167-HI	18314
200ETL		90-84	Hitachi System	HI		6E5-81800-12	2-2167-HI	18314
200ETLJD		90-89	Hitachi System	HI		6E5-81800-12	2-2167-HI	18314
200ETX		90-84	Hitachi System	HI		6E5-81800-12	2-2167-HI	18314
200TJR		95-91	Hitachi System	HI		6E5-81800-12	2-2167-HI	18314
200TLR		98	Hitachi System	HI		6N7-81800-01	2-2518-HI	18315
		97	Hitachi System	HI		6N7-81800-00	2-2518-HI	18315
		96-91	Hitachi System	HI		6E5-81800-12	2-2167-HI	18314
200TXR		95-91	Hitachi System	HI		6E5-81800-12	2-2167-HI	18314
225ETL		90	Hitachi System	HI		61H-81800-01	2-2506-HI	18351
225ETX		90	Hitachi System	HI		61H-81800-01	2-2506-HI	18351
225TLR		97	Hitachi System	HI		6N7-81800-00	2-2518-HI	18315
		96-94	Hitachi System	HI		61A-81800-01	2-2506-HI	18351
		93-91	Hitachi System	HI		61H-81800-01	2-2506-HI	18351
		95	Hitachi System	HI		61A-81800-01	2-2506-HI	18351
225TUR		95	Hitachi System	HI		61A-81800-01	2-2506-HI	18351
225TXR		95-94	Hitachi System	HI		61A-81800-01	2-2506-HI	18351
		93-91	Hitachi System	HI		61H-81800-01	2-2506-HI	18351
250ETX		90	Hitachi System	HI		61A-81800-01	2-2506-HI	18351
250TUR		95-91	Hitachi System	HI		61A-81800-01	2-2506-HI	18351
250TXR		95-91	Hitachi System	HI		61A-81800-01	2-2506-HI	18351
B90TLR		99-98	Hitachi System	HI		688-81800-12	2-2517-HI	18344
B115TLR		99-98	Hitachi System	HI		6N7-81800-01	2-2518-HI	18315
C25ELH		97-93	Hitachi System	HI		689-81800-13	2-2309-HI	18310
C25ELR		97-91	Hitachi System	HI		689-81800-13	2-2309-HI	18310
C25MLH		97-93	Hitachi System	HI		689-81800-13	2-2309-HI	18310
C25MSH		97-93	Hitachi System	HI		689-81800-13	2-2309-HI	18310
C30ELR		97-91	Hitachi System	HI		689-81800-13	2-2309-HI	18310
C40ELR		97-91	Hitachi System	HI		689-81800-13	2-2309-HI	18310
C40ESH		97	Hitachi System	HI		689-81800-13	2-2309-HI	18310
C40MLH		95	Hitachi System	HI		689-81800-13	2-2309-HI	18310
C40MSH		97-92	Hitachi System	HI		689-81800-13	2-2309-HI	18310
C40PLR		97-92	Hitachi System	HI		689-81800-13	2-2309-HI	18310
C40TLR		02-97	Hitachi System	HI		6F5-81800-11	2-2516-HI	18346
C50TLR		01-98	Hitachi System	HI		6F5-81800-11	2-2516-HI	18346
C55ELR		95-91	Hitachi System	HI		697-81800-12	2-2272	18313

♦ See Buyer's Guide for Optional Units

Model	Engine	Year	Option	Mfg KW	OEM #	PART NO.	REF.
<b>YAMAHA - continued</b>							
<b>Outboard Motors - continued</b>							
C55TLR		95-93	Hitachi System	HI	697-81800-12	2-2272	18313
C60TLR		01-96	Hitachi System	HI	6H3-81800-11	2-2310-HI	18311
C70TLR		01-00	Hitachi System	HI	6H3-81800-11	2-2310-HI	18311
C75TLR		99-94	Hitachi System	HI	688-81800-12	2-2517-HI	18344
C80TLR		97	Hitachi System	HI	688-81800-12	2-2517-HI	18344
C85TLR		96-91	Hitachi System	HI	688-81800-12	2-2517-HI	18344
C90TLR		01-97	Hitachi System	HI	688-81800-12	2-2517-HI	18344
C115TLR		99-98	Hitachi System	HI	6N7-81800-01	2-2518-HI	18315
		97	Hitachi System	HI	6N7-81800-00	2-2518-HI	18315
		96-91	Hitachi System	HI	6E5-81800-12	2-2167-HI	18314
C115TR		00	Hitachi System	HI	6N7-81800-10	2-2518-HI	18315
C115TXR		99-98	Hitachi System	HI	6N7-81800-01	2-2518-HI	18315
		97	Hitachi System	HI	6N7-81800-00	2-2518-HI	18315
		96-92	Hitachi System	HI	6E5-81800-12	2-2167-HI	18314
C150TLR		99-97	Hitachi System	HI	6N7-81800-00	2-2518-HI	18315
		96	Hitachi System	HI	6E5-81800-12	2-2167-HI	18314
C150TXR		99-97	Hitachi System	HI	6N7-81800-00	2-2518-HI	18315
		96	Hitachi System	HI	6E5-81800-12	2-2167-HI	18314
CV25EL		90	Hitachi System	HI	689-81800-13	2-2309-HI	18310
CV25EML		90	Hitachi System	HI	689-81800-13	2-2309-HI	18310
CV30EL		90	Hitachi System	HI	689-81800-13	2-2309-HI	18310
CV40EL		90	Hitachi System	HI	689-81800-13	2-2309-HI	18310
CV85EL		90	Hitachi System	HI	688-81800-12	2-2517-HI	18344
CV85ETL		90	Hitachi System	HI	688-81800-12	2-2517-HI	18344
D150TLR		99-97	Hitachi System	HI	6N7-81800-00	2-2518-HI	18315
DX150TLR		05-99	Hitachi System	HI	6N7-81800-10	2-2518-HI	18315
F9.9ELR		05-01	Hitachi System	HI	6G8-81800-11	2-2516-HI	18346
F9.9MLH		05-99	Hitachi System	HI	6G8-81800-11	2-2516-HI	18346
F9.9MSH		05-99	Hitachi System	HI	6G8-81800-11	2-2516-HI	18346
F25EH		00		UT	65W-81800-01	2-2253	5769
F25ELH		08-05		UT	65W-81800-02	2-2253	5769
		04-00		UT	65W-81800-01	2-2253	5769
		99-98		UT	65W-81800-00	2-2253	5769
F25ELR		08-05		UT	65W-81800-02	2-2253	5769
		04-00		UT	65W-81800-01	2-2253	5769
		99-98		UT	65W-81800-00	2-2253	5769
F25ESH		08-05		UT	65W-81800-02	2-2253	5769
		04-00		UT	65W-81800-01	2-2253	5769
		99-98		UT	65W-81800-00	2-2253	5769
F25ESR		08-05		UT	65W-81800-02	2-2253	5769
		04-01		UT	65W-81800-01	2-2253	5769
F25MH		00		UT	65W-81800-01	2-2253	5769
F25MLH		08-05		UT	65W-81800-02	2-2253	5769
		04-00		UT	65W-81800-01	2-2253	5769
		99		UT	65W-81800-00	2-2253	5769
F25MSH		08-05		UT	65W-81800-02	2-2253	5769
		04-00		UT	65W-81800-01	2-2253	5769
		99		UT	65W-81800-00	2-2253	5769
F25TLR		08-05		UT	65W-81800-02	2-2253	5769
		04-00		UT	65W-81800-01	2-2253	5769
		99-98		UT	65W-81800-00	2-2253	5769
F30TLR		08-05		UT	67C-81800-01	2-2253	5769
		04-01		UT	67C-81800-00	2-2253	5769
F40BEJR		08		UT	67C-81800-02	2-2253	5769
F40BMJH		08		UT	67C-81800-02	2-2253	5769
F40BMLH		08		UT	67C-81800-02	2-2253	5769
F40BTLR		08		UT	67C-81800-02	2-2253	5769
F40EJR		07-06		UT	67C-81800-02	2-2253	5769
		05		UT	67C-81800-01	2-2253	5769

◆ See Buyer's Guide for Optional Units



# STARTERS

Model	Engine	Year	Option	Mfg	KW	OEM #	PART NO.	REF.
<b>YAMAHA - continued</b>								
<b>Outboard Motors - continued</b>								
F40EJR		04-03		UT		67C-81800-00	2-2253	5769
F40ESR		04-00		UT		67C-81800-00	2-2253	5769
F40MH		00		UT		67C-81800-00	2-2253	5769
F40MJH		07-06		UT		67C-81800-02	2-2253	5769
		05		UT		67C-81800-01	2-2253	5769
		04-01		UT		67C-81800-00	2-2253	5769
F40MLH		07-06		UT		67C-81800-02	2-2253	5769
		05		UT		67C-81800-01	2-2253	5769
		04-01		UT		67C-81800-00	2-2253	5769
F40MSH		07-06		UT		67C-81800-02	2-2253	5769
		05		UT		67C-81800-01	2-2253	5769
		04-01		UT		67C-81800-00	2-2253	5769
F40TLR		07-06		UT		67C-81800-02	2-2253	5769
		05		UT		67C-81800-01	2-2253	5769
		04-00		UT		67C-81800-00	2-2253	5769
		99	Hitachi System	HI		6E5-81800-12	2-2167-HI	18314
F50TJR		02-01	Hitachi System	HI		6E5-81800-12	2-2167-HI	18314
F50TLH		98-96	Hitachi System	HI		6E5-81800-12	2-2167-HI	18314
F50TLR		02-96	Hitachi System	HI		6E5-81800-12	2-2167-HI	18314
F75TLR		08-05	Hitachi System	HI		68V-81800-01	2-2739-HI-2	18349
		04-03	Hitachi System	HI		67F-81800-02	2-2451-HI-2	18347
F80TJR		02-01	Hitachi System	HI		67F-81800-02	2-2451-HI-2	18347
F80TLR		02-01	Hitachi System	HI		67F-81800-02	2-2451-HI-2	18347
		00	Hitachi System	HI		67F-81800-01	2-2451-HI-2	18347
		99	Hitachi System	HI		67F-81800-00	2-2451-HI-2	18347
F90TJR		04-03	Hitachi System	HI		67F-81800-02	2-2451-HI-2	18347
F90TLR		04-03	Hitachi System	HI		67F-81800-02	2-2451-HI-2	18347
F100TLR		02-01	Hitachi System	HI		67F-81800-02	2-2451-HI-2	18347
		00	Hitachi System	HI		67F-81800-01	2-2451-HI-2	18347
		99	Hitachi System	HI		67F-81800-00	2-2451-HI-2	18347
F100TXR		02-01	Hitachi System	HI		67F-81800-02	2-2451-HI-2	18347
		00	Hitachi System	HI		67F-81800-01	2-2451-HI-2	18347
		99	Hitachi System	HI		67F-81800-00	2-2451-HI-2	18347
F115TJR		08-01	Hitachi System	HI		68V-81800-01	2-2739-HI-2	18349
F115TLR		08-01	Hitachi System	HI		68V-81800-01	2-2739-HI-2	18349
		00	Hitachi System	HI		68V-81800-00	2-2739-HI-2	18349
F115TXR		08-01	Hitachi System	HI		68V-81800-01	2-2739-HI-2	18349
		00	Hitachi System	HI		68V-81800-00	2-2739-HI-2	18349
FT9.9EL		90-85	Hitachi System	HI		6G8-81800-11	2-2516-HI	18346
FT9.9ERL		90	Hitachi System	HI		6G8-81800-11	2-2516-HI	18346
FT9.9EX		90-85	Hitachi System	HI		6G8-81800-11	2-2516-HI	18346
FT9.9X		90-85	Hitachi System	HI		6G8-81800-11	2-2516-HI	18346
L130ETX		90-89	Hitachi System	HI		6E5-81800-12	2-2167-HI	18314
L130TR		00	Hitachi System	HI		6N7-81800-10	2-2518-HI	18315
L130TXR		99-97	Hitachi System	HI		6N7-81800-00	2-2518-HI	18315
		96-91	Hitachi System	HI		6E5-81800-12	2-2167-HI	18314
L150ETX		90-86	Hitachi System	HI		6E5-81800-12	2-2167-HI	18314
L150TXR		99-98	Hitachi System	HI		6N7-81800-01	2-2518-HI	18315
		97	Hitachi System	HI		6N7-81800-00	2-2518-HI	18315
		96-91	Hitachi System	HI		6E5-81800-12	2-2167-HI	18314
L200ETX		90-86	Hitachi System	HI		6E5-81800-12	2-2167-HI	18314
L200TLR		95	Hitachi System	HI		6E5-81800-12	2-2167-HI	18314
L200TXR		99-98	Hitachi System	HI		6N7-81800-01	2-2518-HI	18315
		97	Hitachi System	HI		6N7-81800-00	2-2518-HI	18315
		96-91	Hitachi System	HI		6E5-81800-12	2-2167-HI	18314
L225TUR		96-95	Hitachi System	HI		61A-81800-01	2-2506-HI	18351
L225TXR		99-94	Hitachi System	HI		61A-81800-01	2-2506-HI	18351
L250ETX		90	Hitachi System	HI		61A-81800-01	2-2506-HI	18351
L250TLR		91	Hitachi System	HI		61A-81800-01	2-2506-HI	18351

♦ See Buyer's Guide for Optional Units

Model	Engine	Year	Option	Mfg KW	OEM #	PART NO.	REF.
<b>YAMAHA - continued</b>							
<b>Outboard Motors - continued</b>							
L250TUR		99-92	Hitachi System	HI	61A-81800-01	2-2506-HI	18351
L250TXR		99-92	Hitachi System	HI	61A-81800-01	2-2506-HI	18351
LF115TR		00	Hitachi System	HI	68V-81800-00	2-2739-HI-2	18349
LF115TXR		08-01	Hitachi System	HI	68V-81800-01	2-2739-HI-2	18349
LF225TUR		98-97	Hitachi System	HI	61A-81800-01	2-2506-HI	18351
LF225TXR		98-97	Hitachi System	HI	61A-81800-01	2-2506-HI	18351
LX150TXR		01-99	Hitachi System	HI	6N7-81800-10	2-2518-HI	18315
LX200TXR		01-99	Hitachi System	HI	6N7-81800-10	2-2518-HI	18315
LX225		00	Hitachi System	HI	61A-81800-01	2-2506-HI	18351
LX225TXR		02-01	Hitachi System	HI	61A-81800-01	2-2506-HI	18351
LX250TR		00	Hitachi System	HI	61A-81800-01	2-2506-HI	18351
LX250TUR		02-01	Hitachi System	HI	61A-81800-01	2-2506-HI	18351
LX250TXR		02-01	Hitachi System	HI	61A-81800-01	2-2506-HI	18351
LZ150TR		00	Hitachi System	HI	68F-81800-01	2-2519-HI	18348
LZ150TXR		06-01	Hitachi System	HI	68F-81800-01	2-2519-HI	18348
LZ200TR		00	Hitachi System	HI	68F-81800-01	2-2519-HI	18348
LZ200TXR		08-01	Hitachi System	HI	68F-81800-01	2-2519-HI	18348
P40EJR		98	Hitachi System	HI	6F5-81800-11	2-2516-HI	18346
P40TLH		98	Hitachi System	HI	6F5-81800-11	2-2516-HI	18346
P50TLR		96-93	Hitachi System	HI	6F5-81800-11	2-2516-HI	18346
		92-91	Hitachi System	HI	6J4-81800-01	2-2516-HI	18346
P60TLH		99-91	Hitachi System	HI	6H3-81800-11	2-2310-HI	18311
P75TLH		99-96	Hitachi System	HI	688-81800-12	2-2517-HI	18344
P115TLR		96-93	Hitachi System	HI	6E5-81800-12	2-2167-HI	18314
P150TLR		99-97	Hitachi System	HI	6N7-81800-00	2-2518-HI	18315
		96-91	Hitachi System	HI	6E5-81800-12	2-2167-HI	18314
P175TLR		99-97	Hitachi System	HI	6N7-81800-00	2-2518-HI	18315
		96-94	Hitachi System	HI	6E5-81800-12	2-2167-HI	18314
P200TLR		99-97	Hitachi System	HI	6N7-81800-00	2-2518-HI	18315
		96-91	Hitachi System	HI	61H-81800-01	2-2506-HI	18351
PRO50L		90-88	Hitachi System	HI	6J4-81800-01	2-2516-HI	18346
		87	Hitachi System	HI	6H4-81800-12	2-2505-HI	18345
PRO150L		90-86	Hitachi System	HI	6E5-81800-12	2-2167-HI	18314
PX150TLR		99	Hitachi System	HI	6N7-81800-10	2-2518-HI	18315
S115TLR		99-97	Hitachi System	HI	6N7-81800-00	2-2518-HI	18315
		96	Hitachi System	HI	6E5-81800-12	2-2167-HI	18314
S115TXR		99-97	Hitachi System	HI	6N7-81800-00	2-2518-HI	18315
		96	Hitachi System	HI	6E5-81800-12	2-2167-HI	18314
S130TLR		99-97	Hitachi System	HI	6N7-81800-00	2-2518-HI	18315
		96	Hitachi System	HI	6E5-81800-12	2-2167-HI	18314
S130TRX		99-97	Hitachi System	HI	6N7-81800-00	2-2518-HI	18315
		96	Hitachi System	HI	6E5-81800-12	2-2167-HI	18314
S150TLR		99-98	Hitachi System	HI	6N7-81800-01	2-2518-HI	18315
		97	Hitachi System	HI	6N7-81800-00	2-2518-HI	18315
		96	Hitachi System	HI	6E5-81800-12	2-2167-HI	18314
S150TSR		96	Hitachi System	HI	6E5-81800-12	2-2167-HI	18314
S150TXR		99-98	Hitachi System	HI	6N7-81800-01	2-2518-HI	18315
		97	Hitachi System	HI	6N7-81800-00	2-2518-HI	18315
S175TXR		99-98	Hitachi System	HI	6N7-81800-01	2-2518-HI	18315
		97	Hitachi System	HI	6N7-81800-00	2-2518-HI	18315
		96	Hitachi System	HI	6E5-81800-12	2-2167-HI	18314
S200TXR		99-98	Hitachi System	HI	6N7-81800-01	2-2518-HI	18315
		97	Hitachi System	HI	6N7-81800-00	2-2518-HI	18315
		96	Hitachi System	HI	6E5-81800-12	2-2167-HI	18314
S225TUR		99-96	Hitachi System	HI	61A-81800-01	2-2506-HI	18351
S225TXR		99-96	Hitachi System	HI	61A-81800-01	2-2506-HI	18351
S250TUR		97-96	Hitachi System	HI	61A-81800-01	2-2506-HI	18351
S250TXR		99-96	Hitachi System	HI	61A-81800-01	2-2506-HI	18351
SX150TLR		99	Hitachi System	HI	6N7-81800-10	2-2518-HI	18315

◆ See Buyer's Guide for Optional Units

# STARTERS

Model	Engine	Year	Option	Mfg	KW	OEM #	PART NO.	REF.
<b>YAMAHA - continued</b>								
<b>Outboard Motors - continued</b>								
SX150TXR		04-99	Hitachi System	HI		6N7-81800-10	2-2518-HI	18315
SX200TLR		04-03	Hitachi System	HI		6N7-81800-10	2-2518-HI	18315
SX200TXR		05-01	Hitachi System	HI		6N7-81800-10	2-2518-HI	18315
SX225TR		00	Hitachi System	HI		61A-81800-01	2-2506-HI	18351
SX225TUR		02-01	Hitachi System	HI		61A-81800-01	2-2506-HI	18351
SX225TXR		02-01	Hitachi System	HI		61A-81800-01	2-2506-HI	18351
SX250TR		00	Hitachi System	HI		61A-81800-01	2-2506-HI	18351
SX250TUR		02-01	Hitachi System	HI		61A-81800-01	2-2506-HI	18351
SX250TXR		02-01	Hitachi System	HI		61A-81800-01	2-2506-HI	18351
T9.9ELH		05-91	Hitachi System	HI		6G8-81800-11	2-2516-HI	18346
T9.9ELR		05-91	Hitachi System	HI		6G8-81800-11	2-2516-HI	18346
T9.9EXH		05-91	Hitachi System	HI		6G8-81800-11	2-2516-HI	18346
T9.9EXR		01-97	Hitachi System	HI		6G8-81800-11	2-2516-HI	18346
T9.9MLH		97-96	Hitachi System	HI		6G8-81800-11	2-2516-HI	18346
T9.9MXH		97-91	Hitachi System	HI		6G8-81800-11	2-2516-HI	18346
T25TLR		06-05	Denso System	UT		65W-81800-02	2-2253	5769
		04-01	Denso System	UT		65W-81800-01	2-2253	5769
T50TLR		02-96	Hitachi System	HI		6E5-81800-12	2-2167-HI	18314
V6 EXCEL L		89-87	Hitachi System	HI		61H-81800-01	2-2506-HI	18351
V6 EXCEL X		89-87	Hitachi System	HI		61H-81800-01	2-2506-HI	18351
V6 SPECIAL		86-85	Hitachi System	HI		6E5-81800-12	2-2167-HI	18314
V150TLR		08-00	Hitachi System	HI		6N7-81800-10	2-2518-HI	18315
V175TLR		00	Hitachi System	HI		6N7-81800-10	2-2518-HI	18315
V200TLR		99-98	Hitachi System	HI		61A-81800-01	2-2506-HI	18351
V225TLR		99-98	Hitachi System	HI		61A-81800-01	2-2506-HI	18351
VX150TLR		04-00	Hitachi System	HI		6N7-81800-10	2-2518-HI	18315
VX200TLR		05-04	Hitachi System	HI		69L-81800-00	2-2506-HI	18351
		03-00	Hitachi System	HI		61A-81800-01	2-2506-HI	18351
VX225TLR		04-00	Hitachi System	HI		61A-81800-01	2-2506-HI	18351
VX250TLR		04-02	Hitachi System	HI		69L-81800-00	2-2506-HI	18351
VZ150TLR		08-00	Hitachi System	HI		68F-81800-01	2-2519-HI	18348
VZ175TLR		08-01	Hitachi System	HI		68F-81800-01	2-2519-HI	18348
VZ200TLR		04-01	Hitachi System	HI		68F-81800-01	2-2519-HI	18348
Z150TLR		04-01	Hitachi System	HI		68F-81800-01	2-2519-HI	18348
Z150TR		00	Hitachi System	HI		68F-81800-01	2-2519-HI	18348
Z150TXR		06-01	Hitachi System	HI		68F-81800-01	2-2519-HI	18348
Z175TXR		06-01	Hitachi System	HI		68F-81800-01	2-2519-HI	18348
Z200TLR		06-05	Hitachi System	HI		68F-81800-01	2-2519-HI	18348
		01	Hitachi System	HI		68F-81800-01	2-2519-HI	18348
Z200TR		00	Hitachi System	HI		68F-81800-01	2-2519-HI	18348
Z200TXR		08-01	Hitachi System	HI		68F-81800-01	2-2519-HI	18348
<b>Personal Watercraft (PWC)</b>								
FX700 FX1	701cc	95-94	Mitsuba System	MT		6M6-81800-10-00	2-2150	18420
FX1000 FX Wave Runner	998cc	08-02	Mitsuba System	MT		60E-81800-00-00	2-2501	18433
FX1100 FX Wave Runner	1100cc	08-04	Mitsuba System	MT		60E-81800-00-00	2-2501	18433
GP760 Wave Runner	760cc	00-97	Mitsuba System	MT		64X-81800-00-00	2-2919-MT	18894
GP800 Wave Runner	784cc	05-98	Mitsuba System	MT		63M-81800-00	2-2154-1	18421
GP1200 Wave Runner	1176cc	02-97		MT		63M-81800-00	2-2154-1	18421
GP1300 Wave Runner	1300cc	08-03	Mitsuba System	MT		63M-81800-00	2-2154-1	18421
RA700 Wave Raider	701cc	97-94	Mitsuba System	MT		6M6-81800-10-00	2-2150	18420
RA760 Wave Raider 760	760cc	96	Mitsuba System	MT		64X-81800-00-00	2-2919-MT	18894
RA1100 Wave Raider 1100	1100cc	96-95	Mitsuba System	MT		63M-81800-00	2-2154-1	18421
SJ650 Super Jet	650cc	93-90	Mitsuba System	MT		6M6-81800-10-00	2-2150	18420
SJ700 Super Jet	701cc	08-94		MT		6M6-81800-10-00	2-2150	18420
SUV1200	1176cc	04-99		MT		63M-81800-00	2-2154-1	18421
VX1100 Wave Runner	1100cc	08-05	Mitsuba System	MT		6D3-81800-00-00	2-2921-MT	18436
WB700 Wave Blaster	701cc	96-93		MT		6M6-81800-10-00	2-2150	18420
WB760 Wave Blaster	760cc	97-96	Mitsuba System	MT		64X-81800-00-00	2-2919-MT	18894
WJ500 Wave Jammer	500cc	91-87	Hitachi System	HI		6K8-81800-12	2-2920-MT	18303

♦ See Buyer's Guide for Optional Units

Model	Engine	Year	Option	Mfg KW	OEM #	PART NO.	REF.
<b>YAMAHA - continued</b>							
<b>Personal Watercraft (PWC) - continued</b>							
WR500 Wave Runner	500cc	93-87	Hitachi System	HI	6K8-81800-12	2-2920-MT	18303
WR650 Wave Runner LX	650cc	94-90		MT	6M6-81800-10-00	2-2150	18420
WRA650 Wave Runner III 650	650cc	96-90		MT	6M6-81800-10-00	2-2150	18420
WRA700 Wave Runner III 700	701cc	97-96	Mitsuba System	MT	6M6-81800-10-00	2-2150	18420
WRA700 Wave Runner III GP	701cc	95-94	Mitsuba System	MT	6M6-81800-10-00	2-2150	18420
WRB650 Wave Runner VXR	650cc	95-91	Mitsuba System	MT	6M6-81800-10-00	2-2150	18420
WRB700 Wave Runner Pro VXR	701cc	94-93	Mitsuba System	MT	6M6-81800-10-00	2-2150	18420
WVT700 Wave Venture 700	701cc	98-95	Mitsuba System	MT	6M6-81800-10-00	2-2150	18420
WVT760 Wave Venture 760	760cc	97	Mitsuba System	MT	64X-81800-00-00	2-2919-MT	18894
WVT1100 Wave Venture 1100	1100cc	97-96	Mitsuba System	MT	63M-81800-00	2-2154-1	18421
XL700 Wave Runner	701cc	04-99	Mitsuba System	MT	6M6-81800-10-00	2-2150	18420
XL760 Wave Runner	760cc	99-98	Mitsuba System	MT	64X-81800-00-00	2-2919-MT	18894
XL800 Wave Runner	784cc	01-00	Mitsuba System	MT	63M-81800-00	2-2154-1	18421
XL1200 Wave Runner	1176cc	00-98		MT	63M-81800-00	2-2154-1	18421
XLT800 Wave Runner	784cc	04-02	Mitsuba System	MT	63M-81800-00	2-2154-1	18421
XLT1200 Wave Runner	1176cc	05-01	Mitsuba System	MT	63M-81800-00	2-2154-1	18421
<b>Scooters</b>							
YJ50R Vino	49cc	04-01	Mitsuba System	MT	5BM-81800-01-00	2-2918-MT	
YJ50RA Vino Classic	49cc	05-02	Mitsuba System	MT	5BM-81800-01-00	2-2918-MT	
<b>Snowmobiles</b>							
CS340E Ovation	340cc	00-95		ND	8BB-81800-01-00	2-3083-ND	18890
		94		ND	8BB-81800-00-00	2-3083-ND	18890
ET410TR Enticer II Lite	410cc	95		ND	8BB-81800-01-00	2-3083-ND	18890
		94		ND	8BB-81800-00-00	2-3083-ND	18890
MM600 Mountain Max	600cc	02-98		ND	8CW-81800-01-00	2-3084-ND	18891
		97		ND	8CW-81800-01-00	2-3084-ND	18891
MM700 Mountain Max	698cc	03-98		ND	8CW-81800-01-00	2-3084-ND	18891
	600cc	97		ND	8CW-81800-01-00	2-3084-ND	18891
PZ480 Phazer II	485cc	96-95		ND	8BB-81800-01-00	2-3083-ND	18890
		94		ND	8BB-81800-00-00	2-3083-ND	18890
PZ480E Phazer II LE	485cc	95		ND	8BB-81800-01-00	2-3083-ND	18890
		94		ND	8BB-81800-00-00	2-3083-ND	18890
PZ480E Phazer SS	485cc	98-97		ND	8BB-81800-01-00	2-3083-ND	18890
PZ480ST Phazer II ST	485cc	95		ND	8BB-81800-01-00	2-3083-ND	18890
		94		ND	8BB-81800-00-00	2-3083-ND	18890
PZ480ST Phazer Mountain Lite	485cc	99-96		ND	8BB-81800-01-00	2-3083-ND	18890
PZ500 Phazer	485cc	01-99		ND	8CW-81800-01-00	2-3084-ND	18891
PZ500DX Phazer Deluxe	485cc	01		ND	8CW-81800-01-00	2-3084-ND	18891
PZ500ML Mountain Light Phazer	485cc	01-00		ND	8CW-81800-01-00	2-3084-ND	18891
SRX700	698cc	02-99		ND	8CW-81800-01-00	2-3084-ND	18891
SX500	494cc	01-00		ND	8CW-81800-01-00	2-3084-ND	18891
SX600	593cc	01-00		ND	8CW-81800-01-00	2-3084-ND	18891
SX600 SX-600R	593cc	03		ND	8CW-81800-01-00	2-3084-ND	18891
SX700	698cc	01-00		ND	8CW-81800-01-00	2-3084-ND	18891
SXV60 SX Venom	696cc	06-04		ND	8CW-81800-01-00	2-3084-ND	18891
SXV60 SX Venom ER	696cc	06-04		ND	8CW-81800-01-00	2-3084-ND	18891
SXV70 SX Viper	696cc	06-03		ND	8CW-81800-01-00	2-3084-ND	18891
SXV70 SX Viper ER	696cc	06-03		ND	8CW-81800-01-00	2-3084-ND	18891
SXV70M SX Viper Mountain	696cc	06-03		ND	8CW-81800-01-00	2-3084-ND	18891
VK540E	535cc	05-94		ND	8BB-81800-01-00	2-3083-ND	18890
VT480 Venture XL	485cc	97-94		ND	8BB-81800-01-00	2-3083-ND	18890
		93-91		ND	8V3-81800-00-00	2-3083-ND	18890
VT480TR Venture TR	485cc	98-96		ND	8BB-81800-01-00	2-3083-ND	18890
VT500 Venture	494cc	01-98		ND	8CW-81800-01-00	2-3084-ND	18891
		97		ND	8CW-81800-01-00	2-3084-ND	18891
VT500XL Venture	494cc	00-99		ND	8CW-81800-01-00	2-3084-ND	18891
VT60 Venture	593cc	06-04		ND	8CW-81800-01-00	2-3084-ND	18891
VT600 Venture	593cc	03-98		ND	8CW-81800-01-00	2-3084-ND	18891
	494cc	97		ND	8CW-81800-01-00	2-3084-ND	18891

◆ See Buyer's Guide for Optional Units

# STARTERS

Model	Engine	Year	Option	Mfg	KW	OEM #	PART NO.	REF.
<b>YAMAHA - continued</b>								
<b>Snowmobiles - continued</b>								
VT70 Venture	698cc	04		ND		8CW-81800-01-00	2-3084-ND	18891
VT700 Venture	698cc	03-98		ND		8CW-81800-01-00	2-3084-ND	18891
VT700 VMax	698cc	01		ND		8CW-81800-01-00	2-3084-ND	18891
VX500 VMax	494cc	00-99		ND		8CW-81800-01-00	2-3084-ND	18891
		96-94		ND		8BB-81800-01-00	2-3083-ND	18890
VX500DX VMax Deluxe	494cc	01-00		ND		8CW-81800-01-00	2-3084-ND	18891
VX500DX VMax DX	494cc	96-94		ND		8BB-81800-01-00	2-3083-ND	18890
VX500E VMax	494cc	96-94		ND		8BB-81800-01-00	2-3083-ND	18890
VX500ST VMax ST	494cc	94		ND		8BB-81800-01-00	2-3083-ND	18890
VX500SXB VMax	494cc	99		ND		8CW-81800-01-00	2-3084-ND	18891
VX500XT VMax XT	494cc	98		ND		8CW-81800-01-00	2-3084-ND	18891
		97		ND		8CW-81800-01-00	2-3084-ND	18891
VX500XTC VMax XTC	494cc	98		ND		8CW-81800-01-00	2-3084-ND	18891
		97		ND		8CW-81800-01-00	2-3084-ND	18891
VX500XTCD VMax XTC Deluxe	494cc	98		ND		8CW-81800-01-00	2-3084-ND	18891
VX500XTR VMax XTR	494cc	98		ND		8CW-81800-01-00	2-3084-ND	18891
VX600 VMax	593cc	99		ND		8CW-81800-01-00	2-3084-ND	18891
		96-94		ND		8BB-81800-01-00	2-3083-ND	18890
VX600DX VMax Deluxe	593cc	01-00		ND		8CW-81800-01-00	2-3084-ND	18891
VX600DX VMax DX	593cc	96-94		ND		8BB-81800-01-00	2-3083-ND	18890
VX600E VMax LE	593cc	96-94		ND		8BB-81800-01-00	2-3083-ND	18890
VX600ER VMax Deluxe	593cc	99		ND		8CW-81800-01-00	2-3084-ND	18891
VX600ER VMax ER	593cc	03-02		ND		8CW-81800-01-00	2-3084-ND	18891
VX600ST VMax ST	593cc	96-94		ND		8BB-81800-01-00	2-3083-ND	18890
VX600SX VMax SX	593cc	99-98		ND		8CW-81800-01-00	2-3084-ND	18891
		97		ND		8CW-81800-01-00	2-3084-ND	18891
VX600SXS VMax SXS	593cc	98		ND		8CW-81800-01-00	2-3084-ND	18891
VX600XT VMax XT	593cc	98		ND		8CW-81800-01-00	2-3084-ND	18891
		97		ND		8CW-81800-01-00	2-3084-ND	18891
VX600XT VMax XT Proaction Plus	593cc	96		ND		8BB-81800-01-00	2-3083-ND	18890
VX600XTC VMax XTC	593cc	98		ND		8CW-81800-01-00	2-3084-ND	18891
		97		ND		8CW-81800-01-00	2-3084-ND	18891
VX600XTCD VMax XTC Deluxe	593cc	98		ND		8CW-81800-01-00	2-3084-ND	18891
VX600XTR VMax XTR	593cc	98		ND		8CW-81800-01-00	2-3084-ND	18891
VX700 VMax	698cc	00-99		ND		8CW-81800-01-00	2-3084-ND	18891
VX700DX VMax Deluxe	698cc	01-00		ND		8CW-81800-01-00	2-3084-ND	18891
VX700ER VMax Deluxe	698cc	99		ND		8CW-81800-01-00	2-3084-ND	18891
VX700ER VMax ER	698cc	02		ND		8CW-81800-01-00	2-3084-ND	18891
VX700SXB VMax SX	698cc	99-98		ND		8CW-81800-01-00	2-3084-ND	18891
		97		ND		8CW-81800-01-00	2-3084-ND	18891
VX700SXS VMax SXS	698cc	98		ND		8CW-81800-01-00	2-3084-ND	18891
VX700XT VMax XT	698cc	98		ND		8CW-81800-01-00	2-3084-ND	18891
VX700XTC VMax XTC	698cc	98		ND		8CW-81800-01-00	2-3084-ND	18891
VX700XTCD VMax XTC Deluxe	698cc	98		ND		8CW-81800-01-00	2-3084-ND	18891
VX700XTCP VMax XTP	698cc	98		ND		8CW-81800-01-00	2-3084-ND	18891
X700SX	698cc	97		ND		8CW-81800-01-00	2-3084-ND	18891
<b>Sportboats</b>								
EXS1200 Exciter		99-98	Mitsuba System	MT		63M-81800-00	2-2154-1	18421
EXT1100 Exciter		98-96	Mitsuba System	MT		63M-81800-00	2-2154-1	18421
EXT1200 Exciter		99-98	Mitsuba System	MT		63M-81800-00	2-2154-1	18421
LST1200		05-99		MT		63M-81800-00	2-2154-1	18421
SRT1000		05-03	Mitsuba System	MT		60E-81800-00-00	2-2501	18433
SRT1100		05	Mitsuba System	MT		60E-81800-00-00	2-2501	18433
XRT1200		01-00	Mitsuba System	MT		63M-81800-00	2-2154-1	18421
<b>Utility Vehicle (UTV)</b>								
YXR45F Rhino 450	421cc	08-06	Mitsuba System	MT		5KM-81890-00-00	2-2532	18759
YXR66F Rhino 660	660cc	07-06	Mitsuba System	MT		5KM-81890-00-00	2-2532	18759
		05-04	Mitsuba System	MT		5KM-81890-00-00	2-2532	18759

♦ See Buyer's Guide for Optional Units

Model	Engine	Year	Option	Mfg KW	OEM #	PART NO.	REF.
<b>YANMAR</b>							
<b>Engines - Industrial</b>							
1GM		81-On	Hitachi System	HI 1.0	S114-303	<b>2-1872-HI</b>	18209
2GM		81-On	Hitachi System	HI 1.0	S114-303	<b>2-1872-HI</b>	18209
3D84-1C		83-On	Hitachi System	HI 2.5	S13-78	<b>2-2016-HI</b>	18204
3GM		81-On	Hitachi System	HI 1.0	S114-303	<b>2-1872-HI</b>	18209
3T84C	3cyl Diesel	82-On	Hitachi System	ND	S114-483	<b>2-1916-HI-1</b>	18205
3T95		97-80	Hitachi System	HI 2.5	S13-41	<b>2-2016-HI</b>	18204
3TN63		90-On	Hitachi System	HI 0.9	S114-443	<b>2-1948-HI</b>	18055
3TN66		85-On	Hitachi OE #S114-203 / 656	HI 0.9	S114-656	<b>2-2013-HI</b>	18218
			Hitachi OE #S114-443 / 653	HI 0.9	S114-443	<b>2-1948-HI</b>	18055
3TNA68		86-On	Hitachi System	HI 0.9	S114-656	<b>2-2013-HI</b>	18218
3TNA72		84-On	Hitachi OE #S114-656	HI 0.9	S114-656	<b>2-2013-HI</b>	18218
3TNE68		95-On	Hitachi System	HI 0.9	S114-443	<b>2-1948-HI</b>	18055
4T95	4cyl Diesel	97-80	Hitachi System	HI 2.5	S13-41	<b>2-2016-HI</b>	18204
			Hitachi System	ND	S114-483A	<b>2-1916-HI-1</b>	18205
4T95T	4cyl Diesel	97-80	Hitachi System	HI 2.5	S13-41	<b>2-2016-HI</b>	18204
4TN78		85-On	Hitachi System	HI 2.0	S13-94	<b>2-2728-HI-2</b>	18051
4TN82		85-On	Hitachi System	HI 2.0	S13-94	<b>2-2728-HI-2</b>	18051
GA220 TO GA340		93-On	Hitachi System	HI 0.8	S114-414	<b>2-2008-HI</b>	18203
			Hitachi System	HI 0.8	S114-651	<b>2-2008-HI</b>	18203
L35 TO L100		83-On	Hitachi System	HI 0.8	S114-414	<b>2-2008-HI</b>	18203
			Hitachi System	HI 0.8	S114-651	<b>2-2008-HI</b>	18203
L40S		All	Hitachi System	HI 0.8	S114-414	<b>2-2008-HI</b>	18203
L60S		All	Hitachi System	HI 0.8	S114-414	<b>2-2008-HI</b>	18203
LS75		All	Hitachi System	HI 0.8	S114-414	<b>2-2008-HI</b>	18203
LS100		All	Hitachi System	HI 0.8	S114-414	<b>2-2008-HI</b>	18203
<b>Engines - Marine</b>							
1GM	1cyl, 19.41ci, 0.318L Diesel	84-80	Hitachi System	HI 1.0	S114-303	<b>2-1872-HI</b>	18209
1GM10	1cyl, 19.41ci, 0.318L Diesel	82-On	Hitachi System	HI 1.0	S114-303	<b>2-1872-HI</b>	18209
1GM10C	1cyl, 19.41ci, 0.318L Diesel	84-82	Hitachi System	HI 1.0	S114-303	<b>2-1872-HI</b>	18209
2GM	2cyl Diesel	84-80	Hitachi System	HI 1.0	S114-303	<b>2-1872-HI</b>	18209
2GMF	2cyl Diesel	84-80	Hitachi System	HI 1.0	S114-303	<b>2-1872-HI</b>	18209
2GMZ	2cyl, 0.586L Diesel	All	Hitachi System	HI 1.3	S114-230	<b>2-2015-HI</b>	18206
2GM20	2cyl, 38.81ci, 0.636L Diesel	82-On	Hitachi System	HI 1.0	S114-303	<b>2-1872-HI</b>	18209
2QM15	2cyl, 0.662L Diesel	80-77	Hitachi System	HI 1.3	S114-230	<b>2-2015-HI</b>	18206
2TM	2cyl Diesel	82-On	Hitachi System	HI 1.3	S114-230	<b>2-2015-HI</b>	18206
3GM	3cyl Diesel	84-80	Hitachi System	HI 1.0	S114-303	<b>2-1872-HI</b>	18209
3GMD	3cyl Diesel	82-On	Hitachi System	HI 1.0	S114-303	<b>2-1872-HI</b>	18209
3GMF	3cyl Diesel	82-On	Hitachi System	HI 1.0	S114-303	<b>2-1872-HI</b>	18209
3GM30	3cyl Diesel	82-On	Hitachi System	HI 1.0	S114-303	<b>2-1872-HI</b>	18209
3JH2	3cyl Diesel	99-91	Hitachi System	ND	S114-483	<b>2-1916-HI-1</b>	18205
3JH2BE	3cyl Diesel	99-91	Hitachi System	ND	S114-483	<b>2-1916-HI-1</b>	18205
3JH2E	3cyl Diesel	99-91	Hitachi System	ND	S114-483	<b>2-1916-HI-1</b>	18205
3JH3	3cyl Diesel	03-99	Hitachi System	HI	S114-815	<b>2-2009-HI</b>	18219
3JH3E	3cyl Diesel	All	Hitachi System	HI	S114-815	<b>2-2009-HI</b>	18219
3JH3E-YEU	3cyl Diesel	All	Hitachi System	HI	S114-815	<b>2-2009-HI</b>	18219
3JH3Z	3cyl Diesel	All	Hitachi System	ND	S114-483	<b>2-1916-HI-1</b>	18205
3TNE84	3cyl Diesel	82-On	Hitachi System	ND	S114-483	<b>2-1916-HI-1</b>	18205
3TNE88	3cyl Diesel	82-On	Hitachi System	ND	S114-483	<b>2-1916-HI-1</b>	18205
4JH	4cyl Diesel	82-On	Hitachi System	ND	S114-483A	<b>2-1916-HI-1</b>	18205
4JH-HT-Z	4cyl Diesel	82-On	Hitachi System	ND	S114-483A	<b>2-1916-HI-1</b>	18205
4JH-T	4cyl Diesel	82-On	Hitachi System	ND	S114-483A	<b>2-1916-HI-1</b>	18205
4JH-TZ	4cyl Diesel	82-On	Hitachi System	ND	S114-483A	<b>2-1916-HI-1</b>	18205
4JH2-CE	4cyl Diesel	88-On	Hitachi System	ND	S114-483A	<b>2-1916-HI-1</b>	18205
4JH2-DTE	4cyl Diesel	88-On	Hitachi System	ND	S114-483A	<b>2-1916-HI-1</b>	18205
4JH2-E	4cyl Diesel	88-On	Hitachi System	ND	S114-483A	<b>2-1916-HI-1</b>	18205
4JH2-HTE	4cyl Diesel	88-On	Hitachi System	ND	S114-483A	<b>2-1916-HI-1</b>	18205
4JH2-TE	4cyl Diesel	88-On	Hitachi System	ND	S114-483A	<b>2-1916-HI-1</b>	18205
4JH2-UTE	4cyl Diesel	88-On	Hitachi System	ND	S114-483A	<b>2-1916-HI-1</b>	18205
4JH2L-HTNE	4cyl Diesel	88-On	Hitachi System	ND	S114-483A	<b>2-1916-HI-1</b>	18205

◆ See Buyer's Guide for Optional Units

# STARTERS

Model	Engine	Year	Option	Mfg	KW	OEM #	PART NO.	REF.
<b>YANMAR - continued</b>								
<b>Engines - Marine - continued</b>								
4JH2L-TNE	4cyl Diesel	88-On	Hitachi System	ND		S114-483A	2-1916-HI-1	18205
4JH3	4cyl Diesel	03-94	Hitachi System	ND		S114-483A	2-1916-HI-1	18205
4JH3-CE	4cyl Diesel	03-94	Hitachi System	ND		S114-483A	2-1916-HI-1	18205
4JH3-DTE	4cyl Diesel	03-94	Hitachi System	ND		S114-483A	2-1916-HI-1	18205
4JH3-HTE	4cyl Diesel	03-94	Hitachi System	ND		S114-483A	2-1916-HI-1	18205
4JH3-TCE	4cyl Diesel	03-94	Hitachi System	ND		S114-483A	2-1916-HI-1	18205
4JH3-TE	4cyl Diesel	03-94	Hitachi System	ND		S114-483A	2-1916-HI-1	18205
4JH3-TE-YEU	4cyl Diesel	03-94	Hitachi System	ND		S114-483A	2-1916-HI-1	18205
4JH3E	4cyl Diesel	03-94	Hitachi System	HI		S114-815	2-2009-HI	18219
4JH3ZA	4cyl Diesel	03-94	Hitachi System	ND		S114-483A	2-1916-HI-1	18205
4JHZ	4cyl Diesel	82-On	Hitachi System	ND		S114-483A	2-1916-HI-1	18205
4LH-DTE	4cyl Diesel	87-On	Hitachi System	HI	2.5	S13-41	2-2016-HI	18204
4LH-HTE	4cyl Diesel	87-On	Hitachi System	HI	2.5	S13-41	2-2016-HI	18204
4LH-STE	4cyl Diesel	87-On	Hitachi System	HI	2.5	S13-41	2-2016-HI	18204
4LH-TE	4cyl Diesel	All	Hitachi System	HI	2.5	S13-41	2-2016-HI	18204
4LHA-DTE	4cyl Diesel	All	Hitachi System	HI	2.5	S13-41	2-2016-HI	18204
4LHA-DTZ	4cyl Diesel	All	Hitachi System	HI	2.5	S13-41	2-2016-HI	18204
4LHA-HTE	4cyl Diesel	All	Hitachi System	HI	2.5	S13-41	2-2016-HI	18204
4LHA-HTZE	4cyl Diesel	All	Hitachi System	HI	2.5	S13-41	2-2016-HI	18204
4LHA-STE	4cyl Diesel	All	Hitachi System	HI	2.5	S13-41	2-2016-HI	18204
4LHA-STZE	4cyl Diesel	All	Hitachi System	HI	2.5	S13-41	2-2016-HI	18204
4TNE84	4cyl, 1.995L Diesel	89-On	Hitachi System	ND		S114-483A	2-1916-HI-1	18205
4TNE88	4cyl, 2.190L Diesel	89-On	Hitachi System	ND		S114-483A	2-1916-HI-1	18205
6LP-DT	6cyl Diesel	97-On	Denso System	ND		228000-6290	2-2913-ND	18424
6LP-DTE	6cyl Diesel	97-On	Denso System	ND		228000-6290	2-2913-ND	18424
6LP-DTZE	6cyl Diesel	97-On	Denso System	ND		228000-6290	2-2913-ND	18424
6LP-DTZE1	6cyl Diesel	97-On	Denso System	ND		228000-6290	2-2913-ND	18424
6LP-DTY	6cyl Diesel	97-On	Denso System	ND		228000-6290	2-2913-ND	18424
6LP-ST	6cyl Diesel	97-On	Denso System	ND		228000-6290	2-2913-ND	18424
6LP-STE	6cyl Diesel	97-On	Denso System	ND		228000-6290	2-2913-ND	18424
6LP-STZE	6cyl Diesel	97-On	Denso System	ND		228000-6290	2-2913-ND	18424
KM2A		All	Hitachi System	HI	1.0	S114-303	2-1872-HI	18209
KM2C		All	Hitachi System	HI	1.0	S114-303	2-1872-HI	18209
KM2P		All	Hitachi System	HI	1.0	S114-303	2-1872-HI	18209
KM3A		All	Hitachi System	ND		S114-483A	2-1916-HI-1	18205
			Hitachi System	HI	1.0	S114-303	2-1872-HI	18209
KM3P		All	Hitachi System	HI	1.0	S114-303	2-1872-HI	18209
KM3V		All	Hitachi System	HI	1.0	S114-303	2-1872-HI	18209
KM5A		All	Hitachi System	HI	2.5	S13-41	2-2016-HI	18204
UJH2E		All	Hitachi System	ND		S114-483A	2-1916-HI-1	18205
YA		71-On	Hitachi System	HI	1.3	S114-230	2-2015-HI	18206
YC		71-On	Hitachi System	HI	1.3	S114-230	2-2015-HI	18206
<b>Tractors</b>								
TC3000	3T84C Engine	81-On	Hitachi System	ND		S114-257G	2-1916-HI-1	18205
YM1300	2T73 Engine	77-On	Hitachi System	HI	1.3	S114-230	2-2015-HI	18206
	2TR13 Engine	77-On	Hitachi System	HI	1.3	S114-230	2-2015-HI	18206
YM1500	2TR13 Engine	77-On	Hitachi System	HI	1.3	S114-230	2-2015-HI	18206
YM6000	3T95 Engine	86-On	Hitachi System	HI	2.5	S13-41	2-2016-HI	18204
	4T95 Engine	86-On	Hitachi System	HI	2.5	S13-41	2-2016-HI	18204
YM7000	4T95 Engine	86-On	Hitachi System	HI	2.5	S13-41	2-2016-HI	18204
Various Models	3T84 Engine	86-On	Hitachi OE #S13-41	HI	2.5	S13-41	2-2016-HI	18204
	3T90L Engine	76-On	Hitachi System	HI	2.5	S13-41	2-2016-HI	18204
	3T95 Engine	80-On	Hitachi OE #S13-41	HI	2.5	S13-41	2-2016-HI	18204
	3TG66 Engine	86-On	Hitachi System	HI	0.8	S114-613	2-2738-HI-2	18318
	3TG72 Engine	86-On	Hitachi System	HI	0.8	S114-613	2-2738-HI-2	18318
	3TN63 Engine	90-On	Hitachi System	HI	0.9	S114-443	2-1948-HI	18055
	3TN66 Engine	85-On	Hitachi OE #S114-203 / 656	HI	0.9	S114-656	2-2013-HI	18218
			Hitachi OE #S114-443 / 653	HI	0.9	S114-443	2-1948-HI	18055
3TN82 Engine	86-On	Hitachi OE #S13-41	HI	2.5	S13-41	2-2016-HI	18204	

Model	Engine	Year	Option	Mfg KW	OEM #	PART NO.	REF.
<b>YANMAR - continued</b>							
<b>Tractors - continued</b>							
Various Models	3TNA68 Engine	88-On	Hitachi OE #S114-203 / 656	HI 0.9	S114-203	<b>2-2013-HI</b>	18218
	3TNA72 Engine	88-On	Hitachi OE #S114-203 / 656	HI 0.9	S114-203	<b>2-2013-HI</b>	18218
	3TNE68 Engine	95-On	Hitachi System	HI 0.9	S114-443	<b>2-1948-HI</b>	18055
	4T95 Engine	80-On	Hitachi OE #S13-41	HI 2.5	S13-41	<b>2-2016-HI</b>	18204
	4T95T Engine	80-On	Hitachi OE #S13-41	HI 2.5	S13-41	<b>2-2016-HI</b>	18204
	4TN98 Engine	90-On	Hitachi OE #S13-41	HI 2.5	S13-41	<b>2-2016-HI</b>	18204

◆ See Buyer's Guide for Optional Units



# TILT-TRIM MOTORS

Model	Engine	Year	Option	OEM #	PART NO.	REF.
<b>CHRYSLER</b>						
<b>Tilt &amp; Trim</b>						
All Models	75-135 H.P.	All	3-Wire	ESZ4009	<b>82-6899</b> ♦	10806
<b>EVINRUDE</b>						
<b>Tilt &amp; Trim</b>						
All Models	40 H.P.	89-On	2-Wire	435532	<b>82-6893</b>	10811
	48 H.P.	89-On	2-Wire	435532	<b>82-6893</b>	10811
	50 H.P.	89-On	2-Wire	435532	<b>82-6893</b>	10811
	50 H.P. (3cyl)	91-On	2-Wire; Fast Track	434495	<b>82-7856</b> ♦	10816
	60 H.P. (V4)	91-On	2-Wire; Fast Track	434495	<b>82-7856</b> ♦	10816
	70 H.P.	91-On	2-Wire; Fast Track	434495	<b>82-7856</b> ♦	10816
	75 H.P.	All	3-Wire	ESZ4009	<b>82-6899</b> ♦	10806
	90 H.P.	All	3-Wire	ESZ4009	<b>82-6899</b> ♦	10806
		91-On	2-Wire; Fast Track	434495	<b>82-7856</b> ♦	10816
	115 H.P.	All	3-Wire	ESZ4009	<b>82-6899</b> ♦	10806
		91-On	2-Wire; Fast Track	434495	<b>82-7856</b> ♦	10816
	120 H.P.	All	3-Wire	ESZ4009	<b>82-6899</b> ♦	10806
		94-91	2-Wire; Fast Track	434495	<b>82-7856</b> ♦	10816
	130 H.P.	All	3-Wire	ESZ4009	<b>82-6899</b> ♦	10806
		91-On	2-Wire; Fast Track	434495	<b>82-7856</b> ♦	10816
	135 H.P.	All	3-Wire	ESZ4009	<b>82-6899</b> ♦	10806
	140 H.P.	94-91	2-Wire; Fast Track	434495	<b>82-7856</b> ♦	10816
	150 H.P.	91-On	2-Wire; Fast Track	434495	<b>82-7856</b> ♦	10816
	175 H.P.	91-On	2-Wire; Fast Track	434495	<b>82-7856</b> ♦	10816
	200 H.P.	91-On	2-Wire; Fast Track	434495	<b>82-7856</b> ♦	10816
	225 H.P.	91-On	2-Wire; Fast Track	434495	<b>82-7856</b> ♦	10816
	Various	92-81	2-Wire; 3-Bolt Mount	394176	<b>82-6856</b>	10810
	V4	80-76	3-Wire	EVC4002	<b>82-6892</b>	10805
	V6	80-76	3-Wire	EVC4002	<b>82-6892</b>	10805
<b>FORCE</b>						
<b>Tilt &amp; Trim</b>						
All Models	50-125 H.P.	All	Late Style; Single Ram; Yellow Plug	819479A1	<b>82-7866</b>	10827
	75-135 H.P.	All		ESZ4009	<b>82-6899</b> ♦	10806
	Assy 824051	All	3-Wire; Single Ram Tilt	824051	<b>82-68104</b>	10821
<b>JOHNSON</b>						
<b>Tilt &amp; Trim</b>						
All Models	40 H.P.	89-On	2-Wire	435532	<b>82-6893</b>	10811
	48 H.P.	89-On	2-Wire	435532	<b>82-6893</b>	10811
	50 H.P.	89-On	2-Wire	435532	<b>82-6893</b>	10811
	50 H.P. (3cyl)	91-On	2-Wire; Fast Track	434495	<b>82-7856</b> ♦	10816
	60 H.P. (V4)	91-On	2-Wire; Fast Track	434495	<b>82-7856</b> ♦	10816
	70 H.P.	91-On	2-Wire; Fast Track	434495	<b>82-7856</b> ♦	10816
	75 H.P.	All	3-Wire	ESZ4009	<b>82-6899</b> ♦	10806
	90 H.P.	All	3-Wire	ESZ4009	<b>82-6899</b> ♦	10806
		91-On	2-Wire; Fast Track	434495	<b>82-7856</b> ♦	10816
	115 H.P.	All	3-Wire	ESZ4009	<b>82-6899</b> ♦	10806
		91-On	2-Wire; Fast Track	434495	<b>82-7856</b> ♦	10816
	120 H.P.	All	3-Wire	ESZ4009	<b>82-6899</b> ♦	10806
		94-91	2-Wire; Fast Track	434495	<b>82-7856</b> ♦	10816
	130 H.P.	All	3-Wire	ESZ4009	<b>82-6899</b> ♦	10806
		91-On	2-Wire; Fast Track	434495	<b>82-7856</b> ♦	10816
	135 H.P.	All	3-Wire	ESZ4009	<b>82-6899</b> ♦	10806
	140 H.P.	94-91	2-Wire; Fast Track	434495	<b>82-7856</b> ♦	10816
	150 H.P.	91-On	2-Wire; Fast Track	434495	<b>82-7856</b> ♦	10816
	175 H.P.	91-On	2-Wire; Fast Track	434495	<b>82-7856</b> ♦	10816
	200 H.P.	91-On	2-Wire; Fast Track	434495	<b>82-7856</b> ♦	10816
	225 H.P.	91-On	2-Wire; Fast Track	434495	<b>82-7856</b> ♦	10816
	Various	92-81	2-Wire; 3-Bolt Mount	394176	<b>82-6856</b>	10810
	V4	80-76	3-Wire	EVC4002	<b>82-6892</b>	10805
	V6	80-76	3-Wire	EVC4002	<b>82-6892</b>	10805

♦ See Buyer's Guide for Optional Units



# TILT-TRIM MOTORS

Model	Engine	Year	Option	OEM #	PART NO.	REF.
-------	--------	------	--------	-------	----------	------

## TOHATSU

### Tilt & Trim

All Models	V4 Engines	03-90	2-Wire; 3-Bolt Mount	38100-87D10-OED	<b>82-6896</b>	10838
	V6 Engines	03-90	2-Wire; 3-Bolt Mount	38100-87D10-OED	<b>82-6896</b>	10838

## U.S. MARINE

### Tilt & Trim

All Models	75-135 H.P.	All	3-Wire	ESZ4009	<b>82-6899 ♦</b>	10806
------------	-------------	-----	--------	---------	------------------	-------

## VOLVO PENTA

### Tilt & Trim

All Models	Various	All	2-Wire; Electrolux	850834-3	<b>82-68100</b>	10818
			2-Wire; Oildyne Pump & Res	854346-4	<b>82-7868</b>	10819
			Like 854346-4 But Motor Only		<b>82-7857</b>	10845
			3-Wire; w/Reservior	ERH4102	<b>82-6898</b>	10814

## YAMAHA

### Tilt & Trim

All Models	50-90 H.P.	95-92	2-Wire	6H1-43880-02	<b>82-68101</b>	10830
	115-200 H.P.	95-86	2-Wire	6G5-43880-02	<b>82-68102</b>	10824

Model	Engine	Year	Option	OEM #	PART NO.	REF.
<b>BOSS</b>						
<b>Plow Motors</b>						
All Models	Various	All		MDY7030, 58	<b>82-6870</b>	6046
<b>FISHER</b>						
<b>Plow Motors</b>						
All Models	Plow Motor	All	Single Post; 4-Field Motor	MKW4009	<b>82-6852 ♦</b>	10725
			Twin Post; 4-Field Motor	MUE6111	<b>82-6852 ♦</b>	10725
<b>MEYER</b>						
<b>Plow Motors</b>						
All Models	Plow Motor	All	3-Inch; 3/16" Slot;	MKW4007	<b>82-7850</b>	5200
			Quick Lift Plow Motors	MUE6209	<b>82-7852</b>	10710
			2-Terminal; Insulated Ground	15829	<b>82-6882</b>	10758
	Salt Spreader	All		36218	<b>82-7859</b>	10711
<b>WESTERN PRODUCTS</b>						
<b>Plow Motors</b>						
All Models	Plow Motor	All	1 Post; 4-Field; Late Style	MKW4009	<b>82-6852 ♦</b>	10725
			1 Post; 4-Field; Early Style	MEZ7002	<b>82-6853</b>	6067
			2 Post; 4-Field	MUE6103	<b>82-6852 ♦</b>	10725

♦ See Buyer's Guide for Optional Units

# STARTER/GENERATOR

Model	Engine	Year	Option	Mfg	Amp	OEM #	PART NO.	REF.
<b>CLUB CAR</b>								
<b>Golf Carts</b>								
DS Series		06-96	Late 1996-On	MD	23	1018337-01	<b>3-1023-MD</b>	
		96-84	To Mid 1996	MD	25	1018294-01	<b>3-1022-01HI-1</b>	15435
FE290		06-96	Late 1996-On	MD	23	1018337-01	<b>3-1023-MD</b>	
		96-84	To Mid 1996	MD	25	1018294-01	<b>3-1022-01HI-1</b>	15435
FE350		06-96	Late 1996-On	MD	23	1018337-01	<b>3-1023-MD</b>	
		96-84	To Mid 1996	MD	25	1018294-01	<b>3-1022-01HI-1</b>	15435

## CUB CADET

### Tractors - Garden

70	Kohler 7HP K-161 Gas	66-61	w/Starter-Generator	DR	15	1101997	<b>3-1018-DR</b>	9191
71	Kohler 7HP K-161 Gas	68-65	w/Starter-Generator	DR	15	1101996	<b>3-1020-DR</b>	9190
72	Kohler 7HP K-161 Gas	69-67	w/Starter-Generator	DR	15	1101996	<b>3-1020-DR</b>	9190
73	Kohler 7HP K-161 Gas	71-69	w/Starter-Generator	DR	15	1101691	<b>3-1025-01DR-2</b>	9188
86	Kohler 8HP K-181 Gas	74-73	w/Starter-Generator	DR	15	1101692	<b>3-1018-DR</b>	9191
		72-71	w/Starter-Generator	DR	15	1101691	<b>3-1025-01DR-2</b>	9188
100	Kohler 10HP K-241 Gas	66-65	w/Starter-Generator	DR	15	1101997	<b>3-1018-DR</b>	9191
		64	w/Starter-Generator	DR	15	1101996	<b>3-1020-DR</b>	9190
		63	w/Starter-Generator	DR	15	1101967	<b>3-1018-DR</b>	9191
102	Kohler 10HP K-241 Gas	68-65	w/Starter-Generator	DR	15	1101996	<b>3-1020-DR</b>	9190
104	Kohler 10HP K-241 Gas	70	w/Starter-Generator	DR	15	1101691	<b>3-1025-01DR-2</b>	9188
		69-67	w/Starter-Generator	DR	15	1101996	<b>3-1020-DR</b>	9190
105	Kohler 10HP K-241 Gas	70	w/Starter-Generator	DR	15	1101691	<b>3-1025-01DR-2</b>	9188
		69-67	w/Starter-Generator	DR	15	1101996	<b>3-1020-DR</b>	9190
106	Kohler 10HP K-241 Gas	71-70	w/Starter-Generator	DR	15	1101691	<b>3-1025-01DR-2</b>	9188
		69	w/Starter-Generator	DR	15	1101996	<b>3-1020-DR</b>	9190
107	Kohler 10HP K-241 Gas	71-70	w/Starter-Generator	DR	15	1101691	<b>3-1025-01DR-2</b>	9188
		69	w/Starter-Generator	DR	15	1101996	<b>3-1020-DR</b>	9190
108	Kohler 10HP K-241 Gas	74-73	w/Starter-Generator	DR	15	1101692	<b>3-1018-DR</b>	9191
		72-71	w/Starter-Generator	DR	15	1101691	<b>3-1025-01DR-2</b>	9188
109	Kohler 10HP K-241 Gas	74-73	w/Starter-Generator	DR	15	1101692	<b>3-1018-DR</b>	9191
		72-71	w/Starter-Generator	DR	15	1101691	<b>3-1025-01DR-2</b>	9188
122	Kohler 12HP K-301 Gas	68-65	w/Starter-Generator	DR	15	1101996	<b>3-1020-DR</b>	9190
123	Kohler 12HP K-301 Gas	67-66	w/Starter-Generator	DR	15	1101996	<b>3-1020-DR</b>	9190
124	Kohler 12HP K-301 Gas	70	w/Starter-Generator	DR	15	1101691	<b>3-1025-01DR-2</b>	9188
		69-67	w/Starter-Generator	DR	15	1101996	<b>3-1020-DR</b>	9190
125	Kohler 12HP K-301 Gas	70	w/Starter-Generator	DR	15	1101691	<b>3-1025-01DR-2</b>	9188
		69-67	w/Starter-Generator	DR	15	1101996	<b>3-1020-DR</b>	9190
126	Kohler 12HP K-301 Gas	71-69	w/Starter-Generator	DR	15	1101691	<b>3-1025-01DR-2</b>	9188
127	Kohler 12HP K-301 Gas	71-69	w/Starter-Generator	DR	15	1101691	<b>3-1025-01DR-2</b>	9188
128	Kohler 12HP K-301 Gas	74-73	w/Starter-Generator	DR	15	1101692	<b>3-1018-DR</b>	9191
		72-71	w/Starter-Generator	DR	15	1101691	<b>3-1025-01DR-2</b>	9188
129	Kohler 12HP K-301 Gas	74-73	w/Starter-Generator	DR	15	1101692	<b>3-1018-DR</b>	9191
		72-71	w/Starter-Generator	DR	15	1101691	<b>3-1025-01DR-2</b>	9188
147	Kohler 14HP K-321A Gas	72-69	w/Starter-Generator	DR	15	1101691	<b>3-1025-01DR-2</b>	9188
149	Kohler 14HP K-321A Gas	74-73	w/Starter-Generator	DR	15	1101692	<b>3-1018-DR</b>	9191
		72-71	w/Starter-Generator	DR	15	1101691	<b>3-1025-01DR-2</b>	9188
169	Kohler 16HP K-341 Gas	74-73	w/Starter-Generator	DR	15	1101692	<b>3-1018-DR</b>	9191
		72-71	w/Starter-Generator	DR	15	1101691	<b>3-1025-01DR-2</b>	9188

## CUSHMAN

### Carts

Director	Kohler 241	68-66	All	DR	15	1101995	<b>3-1019-DR</b>	9193
Golfster GC-300	Kohler 301	74-71	All	DR	15	1101995	<b>3-1019-DR</b>	9193
Golfster GC-400	Kohler 241	68-66	All	DR	15	1101995	<b>3-1019-DR</b>	9193
	Kohler 301	74-71	All	DR	15	1101995	<b>3-1019-DR</b>	9193
Haulster	Kohler 301	74-68	All	DR	15	1101995	<b>3-1019-DR</b>	9193
Trophy	Kohler 241	67-66	All	DR	15	1101995	<b>3-1019-DR</b>	9193
Truckster	Kohler 241	67-66	All	DR	15	1101995	<b>3-1019-DR</b>	9193
	Kohler 301	67-66	All	DR	15	1101995	<b>3-1019-DR</b>	9193

# STARTER/GENERATOR

Model	Engine	Year	Option	Mfg Amp	OEM #	PART NO.	REF.
<b>EZ-GO</b>							
<b>Golf Carts</b>							
Medalist	4-Cycle Engine	93-On	Starter-Generator	HI	27065-G01	<b>3-1013-01HI-1</b>	15423N
	2-Cycle Engine	93-80	Starter-Generator	HI		<b>3-1015-01HI-1</b>	15421
MG2 4 Caddy		99-98	Starter-Generator	HI	27065-G01	<b>3-1013-01HI-1</b>	15423N
MG2 Fleet		99-98	Starter-Generator	HI	27065-G01	<b>3-1013-01HI-1</b>	15423N
MG2 Freedom		99-98	Starter-Generator	HI	27065-G01	<b>3-1013-01HI-1</b>	15423N
MG2 Freedom HP		99-98	Starter-Generator	HI	27065-G01	<b>3-1013-01HI-1</b>	15423N
Pre-Medalist Models		93-80	Starter-Generator	HI		<b>3-1015-01HI-1</b>	15421
TXT 4 Caddy		93-On	Starter-Generator	HI	27065-G01	<b>3-1013-01HI-1</b>	15423N
TXT Fleet		93-On	Starter-Generator	HI	27065-G01	<b>3-1013-01HI-1</b>	15423N
TXT Freedom		93-On	Starter-Generator	HI	27065-G01	<b>3-1013-01HI-1</b>	15423N
TXT Freedom HP		93-On	Starter-Generator	HI	27065-G01	<b>3-1013-01HI-1</b>	15423N
TXT Models	2-Cycle Engine	93-80	Starter-Generator	HI		<b>3-1015-01HI-1</b>	15421
<b>Industrial Cart</b>							
GXI-875		98-94	Starter-Generator	HI	27065-G01	<b>3-1013-01HI-1</b>	15423N
GXT-875		98-94	Starter-Generator	HI	27065-G01	<b>3-1013-01HI-1</b>	15423N
Industrial 800		99-On	Starter-Generator	HI	27065-G01	<b>3-1013-01HI-1</b>	15423N
<b>Turf Carts</b>							
Workhorse 800		99-On	Starter-Generator	HI	27065-G01	<b>3-1013-01HI-1</b>	15423N
Workhorse 800 LX		99-On	Starter-Generator	HI	27065-G01	<b>3-1013-01HI-1</b>	15423N
Workhorse 1200		99-On	Starter-Generator	HI	27065-G01	<b>3-1013-01HI-1</b>	15423N
Workhorse 1200 LX		99-On	Starter-Generator	HI	27065-G01	<b>3-1013-01HI-1</b>	15423N
Workhorse ST350		98-On	Starter-Generator	HI	27065-G01	<b>3-1013-01HI-1</b>	15423N
<b>Utility Carts</b>							
BC-960GX		98-94	Starter-Generator	HI	27065-G01	<b>3-1013-01HI-1</b>	15423N
Cargo Shuttle		97-On	Starter-Generator	HI	27065-G01	<b>3-1013-01HI-1</b>	15423N
Grand Oasis		98-94	Starter-Generator	HI	27065-G01	<b>3-1013-01HI-1</b>	15423N
GXI-875P		98-94	Starter-Generator	HI	27065-G01	<b>3-1013-01HI-1</b>	15423N
GXT-875P		98-94	Starter-Generator	HI	27065-G01	<b>3-1013-01HI-1</b>	15423N
Oasis		97-96	Starter-Generator	HI	27065-G01	<b>3-1013-01HI-1</b>	15423N
PC-952GX		98-94	Starter-Generator	HI	27065-G01	<b>3-1013-01HI-1</b>	15423N
PC-954GX		98-94	Starter-Generator	HI	27065-G01	<b>3-1013-01HI-1</b>	15423N
PC-956GX		98-94	Starter-Generator	HI	27065-G01	<b>3-1013-01HI-1</b>	15423N
Shuttle 6		97-On	Starter-Generator	HI	27065-G01	<b>3-1013-01HI-1</b>	15423N
<b>INTERNATIONAL</b>							
<b>Tractors - Garden</b>							
Cub Cadet Model 70	Kohler K-161	66-65	w/Starter-Generator	DR 15	1101997	<b>3-1018-DR</b>	9191
		64	w/Starter-Generator	DR 15	1101996	<b>3-1020-DR</b>	9190
		63	w/Starter-Generator	DR 15	1101967	<b>3-1018-DR</b>	9191
		62-61	w/Starter-Generator	DR 15	1101951	<b>3-1018-DR</b>	9191
Cub Cadet Model 71	Kohler K-161	68-65	w/Starter-Generator	DR 15	1101996	<b>3-1020-DR</b>	9190
Cub Cadet Model 72	Kohler K-161	70	w/Starter-Generator	DR 15	1101691	<b>3-1025-01DR-2</b>	9188
		69-67	w/Starter-Generator	DR 15	1101996	<b>3-1020-DR</b>	9190
Cub Cadet Model 73	Kohler K-161	71-69	w/Starter-Generator	DR 15	1101691	<b>3-1025-01DR-2</b>	9188
Cub Cadet Model 86	Kohler K-181	74-73	w/Starter-Generator	DR 15	1101692	<b>3-1018-DR</b>	9191
		72-71	w/Starter-Generator	DR 15	1101691	<b>3-1025-01DR-2</b>	9188
Cub Cadet Model 100	Kohler K-241	66-65	w/Starter-Generator	DR 15	1101997	<b>3-1018-DR</b>	9191
		64	w/Starter-Generator	DR 15	1101996	<b>3-1020-DR</b>	9190
		63	w/Starter-Generator	DR 15	1101967	<b>3-1018-DR</b>	9191
Cub Cadet Model 102	Kohler K-241	68-65	w/Starter-Generator	DR 15	1101996	<b>3-1020-DR</b>	9190
Cub Cadet Model 104	Kohler K-241	70	w/Starter-Generator	DR 15	1101691	<b>3-1025-01DR-2</b>	9188
		69-67	w/Starter-Generator	DR 15	1101996	<b>3-1020-DR</b>	9190
Cub Cadet Model 105	Kohler K-241	70	w/Starter-Generator	DR 15	1101691	<b>3-1025-01DR-2</b>	9188
		69-67	w/Starter-Generator	DR 15	1101996	<b>3-1020-DR</b>	9190
Cub Cadet Model 106	Kohler K-241AS	71-70	w/Starter-Generator	DR 15	1101691	<b>3-1025-01DR-2</b>	9188
		69	w/Starter-Generator	DR 15	1101996	<b>3-1020-DR</b>	9190
Cub Cadet Model 107	Kohler K-241AS	71-70	w/Starter-Generator	DR 15	1101691	<b>3-1025-01DR-2</b>	9188
		69	w/Starter-Generator	DR 15	1101996	<b>3-1020-DR</b>	9190
Cub Cadet Model 108	Kohler K-241AS	74-73	w/Starter-Generator	DR 15	1101692	<b>3-1018-DR</b>	9191
		72-71	w/Starter-Generator	DR 15	1101691	<b>3-1025-01DR-2</b>	9188

◆ See Buyer's Guide for Optional Units

# STARTER/GENERATOR

Model	Engine	Year	Option	Mfg	Amp	OEM #	PART NO.	REF.
<b>INTERNATIONAL - continued</b>								
<b>Tractors - Garden - continued</b>								
Cub Cadet Model 109	Kohler K-301	76-73	w/Starter-Generator	DR	15	1101692	<b>3-1018-DR</b>	9191
		72-71	w/Starter-Generator	DR	15	1101691	<b>3-1025-01DR-2</b>	9188
Cub Cadet Model 122	Kohler K-301	68-65	w/Starter-Generator	DR	15	1101996	<b>3-1020-DR</b>	9190
Cub Cadet Model 123	Kohler K-301	67-66	w/Starter-Generator	DR	15	1101996	<b>3-1020-DR</b>	9190
Cub Cadet Model 124	Kohler K-301	70	w/Starter-Generator	DR	15	1101691	<b>3-1025-01DR-2</b>	9188
		69-67	w/Starter-Generator	DR	15	1101996	<b>3-1020-DR</b>	9190
Cub Cadet Model 125	Kohler K-301	70	w/Starter-Generator	DR	15	1101691	<b>3-1025-01DR-2</b>	9188
		69-67	w/Starter-Generator	DR	15	1101996	<b>3-1020-DR</b>	9190
Cub Cadet Model 126	Kohler K-301S	71-69	w/Starter-Generator	DR	15	1101691	<b>3-1025-01DR-2</b>	9188
Cub Cadet Model 127	Kohler K-301S	71-69	w/Starter-Generator	DR	15	1101691	<b>3-1025-01DR-2</b>	9188
Cub Cadet Model 128	Kohler K-301	74-73	w/Starter-Generator	DR	15	1101692	<b>3-1018-DR</b>	9191
		72-71	w/Starter-Generator	DR	15	1101691	<b>3-1025-01DR-2</b>	9188
Cub Cadet Model 129	Kohler K-301	74-73	w/Starter-Generator	DR	15	1101692	<b>3-1018-DR</b>	9191
		72-71	w/Starter-Generator	DR	15	1101691	<b>3-1025-01DR-2</b>	9188
Cub Cadet Model 147	Kohler K-321A	72-69	w/Starter-Generator	DR	15	1101691	<b>3-1025-01DR-2</b>	9188
Cub Cadet Model 149	Kohler K-321A	74-73	w/Starter-Generator	DR	15	1101692	<b>3-1018-DR</b>	9191
		72-71	w/Starter-Generator	DR	15	1101691	<b>3-1025-01DR-2</b>	9188
Cub Cadet Model 169	Kohler K-341	74-73	w/Starter-Generator	DR	15	1101692	<b>3-1018-DR</b>	9191
		72-71	w/Starter-Generator	DR	15	1101691	<b>3-1025-01DR-2</b>	9188
<b>Tractors - Lawn</b>								
Cub Cadet Model 70	Kohler K-161	66-65	w/Starter-Generator	DR	15	1101997	<b>3-1018-DR</b>	9191
		64	w/Starter-Generator	DR	15	1101996	<b>3-1020-DR</b>	9190
		63	w/Starter-Generator	DR	15	1101967	<b>3-1018-DR</b>	9191
		62-61	w/Starter-Generator	DR	15	1101951	<b>3-1018-DR</b>	9191
Cub Cadet Model 71	Kohler K-161	68-65	w/Starter-Generator	DR	15	1101996	<b>3-1020-DR</b>	9190
Cub Cadet Model 72	Kohler K-161	70	w/Starter-Generator	DR	15	1101691	<b>3-1025-01DR-2</b>	9188
		69-67	w/Starter-Generator	DR	15	1101996	<b>3-1020-DR</b>	9190
Cub Cadet Model 73	Kohler K-161	71-69	w/Starter-Generator	DR	15	1101691	<b>3-1025-01DR-2</b>	9188
Cub Cadet Model 86	Kohler K-181	74-73	w/Starter-Generator	DR	15	1101692	<b>3-1018-DR</b>	9191
		72-71	w/Starter-Generator	DR	15	1101691	<b>3-1025-01DR-2</b>	9188
Cub Cadet Model 100	Kohler K-241	66-65	w/Starter-Generator	DR	15	1101997	<b>3-1018-DR</b>	9191
		64	w/Starter-Generator	DR	15	1101996	<b>3-1020-DR</b>	9190
		63	w/Starter-Generator	DR	15	1101967	<b>3-1018-DR</b>	9191
Cub Cadet Model 102	Kohler K-241	68-65	w/Starter-Generator	DR	15	1101996	<b>3-1020-DR</b>	9190
Cub Cadet Model 104	Kohler K-241	70	w/Starter-Generator	DR	15	1101691	<b>3-1025-01DR-2</b>	9188
		69-67	w/Starter-Generator	DR	15	1101996	<b>3-1020-DR</b>	9190
Cub Cadet Model 105	Kohler K-241	70	w/Starter-Generator	DR	15	1101691	<b>3-1025-01DR-2</b>	9188
		69-67	w/Starter-Generator	DR	15	1101996	<b>3-1020-DR</b>	9190
Cub Cadet Model 106	Kohler K-241AS	71-70	w/Starter-Generator	DR	15	1101691	<b>3-1025-01DR-2</b>	9188
		69	w/Starter-Generator	DR	15	1101996	<b>3-1020-DR</b>	9190
Cub Cadet Model 107	Kohler K-241AS	71-70	w/Starter-Generator	DR	15	1101691	<b>3-1025-01DR-2</b>	9188
		69	w/Starter-Generator	DR	15	1101996	<b>3-1020-DR</b>	9190
Cub Cadet Model 108	Kohler K-241AS	74-73	w/Starter-Generator	DR	15	1101692	<b>3-1018-DR</b>	9191
		72-71	w/Starter-Generator	DR	15	1101691	<b>3-1025-01DR-2</b>	9188
Cub Cadet Model 109	Kohler K-301	74-73	w/Starter-Generator	DR	15	1101692	<b>3-1018-DR</b>	9191
		72-71	w/Starter-Generator	DR	15	1101691	<b>3-1025-01DR-2</b>	9188
Cub Cadet Model 122	Kohler K-301	68-65	w/Starter-Generator	DR	15	1101996	<b>3-1020-DR</b>	9190
Cub Cadet Model 123	Kohler K-301	67-66	w/Starter-Generator	DR	15	1101996	<b>3-1020-DR</b>	9190
Cub Cadet Model 124	Kohler K-301	70	w/Starter-Generator	DR	15	1101691	<b>3-1025-01DR-2</b>	9188
		69-67	w/Starter-Generator	DR	15	1101996	<b>3-1020-DR</b>	9190
Cub Cadet Model 125	Kohler K-301	70	w/Starter-Generator	DR	15	1101691	<b>3-1025-01DR-2</b>	9188
		69-67	w/Starter-Generator	DR	15	1101996	<b>3-1020-DR</b>	9190
Cub Cadet Model 126	Kohler K-301S	71-69	w/Starter-Generator	DR	15	1101691	<b>3-1025-01DR-2</b>	9188
Cub Cadet Model 127	Kohler K-301S	71-69	w/Starter-Generator	DR	15	1101691	<b>3-1025-01DR-2</b>	9188
Cub Cadet Model 128	Kohler K-301	74-73	w/Starter-Generator	DR	15	1101692	<b>3-1018-DR</b>	9191
		72-71	w/Starter-Generator	DR	15	1101691	<b>3-1025-01DR-2</b>	9188
Cub Cadet Model 129	Kohler K-301	74-73	w/Starter-Generator	DR	15	1101692	<b>3-1018-DR</b>	9191
		72-71	w/Starter-Generator	DR	15	1101691	<b>3-1025-01DR-2</b>	9188
Cub Cadet Model 147	Kohler K-321A	72-69	w/Starter-Generator	DR	15	1101691	<b>3-1025-01DR-2</b>	9188

♦ See Buyer's Guide for Optional Units

# STARTER/GENERATOR

Model	Engine	Year	Option	Mfg Amp	OEM #	PART NO.	REF.
<b>INTERNATIONAL - continued</b>							
<b>Tractors - Lawn - continued</b>							
Cub Cadet Model 149	Kohler K-321A	74-73	w/Starter-Generator	DR 15	1101692	<b>3-1018-DR</b>	9191
		72-71	w/Starter-Generator	DR 15	1101691	<b>3-1025-01DR-2</b>	9188
Cub Cadet Model 169	Kohler K-341	74-73	w/Starter-Generator	DR 15	1101692	<b>3-1018-DR</b>	9191
		72-71	w/Starter-Generator	DR 15	1101691	<b>3-1025-01DR-2</b>	9188
<b>JACOBSEN</b>							
<b>Tractors - Lawn</b>							
70" Trimmer	Kohler K-181	78	w/Std. Delco	DR 15	1101993	<b>3-1019-DR</b>	9193
76" Turf King	Kohler K-301	78	w/Std. Delco	DR 15	1101993	<b>3-1019-DR</b>	9193
84" Turf King	Kohler K-321	78	w/Std. Delco	DR 15	1101993	<b>3-1019-DR</b>	9193
Chief 1000	Kohler K-241	74-67	w/Std. Delco	DR 15	1101993	<b>3-1019-DR</b>	9193
Chief 1200	Kohler K-301	68-67	w/Std. Delco	DR 15	1101993	<b>3-1019-DR</b>	9193
Chief 53035	Kohler K-241	64-63	w/Std. Delco	DR 15	1101993	<b>3-1019-DR</b>	9193
Chief 53036	Kohler K-241	66-65	w/Std. Delco	DR 15	1101993	<b>3-1019-DR</b>	9193
<b>JOHN DEERE</b>							
<b>Utility Vehicle (UTV)</b>							
Gator TX Turf	Kawasaki 13HP	All	Starter - Generator	HI 15	AM133730	<b>3-1007-01HI-1</b>	15420
<b>TORO</b>							
<b>Utility Vehicle (UTV)</b>							
Workman MD	Kohler 12HP Gas	09-08	Valeo Starter-Generator	MD 25	99-7108	<b>3-1024-MD</b>	15431
Workman MDX	Briggs & Stratton 14HP Gas	09-08	Valeo Starter-Generator	MD 25	99-7108	<b>3-1024-MD</b>	15431
Workman 1100		05-01	Valeo Starter-Generator	MD 25	99-7108	<b>3-1024-MD</b>	15431
Workman 1110	Kohler 367cc Gas	09-06	Valeo Starter-Generator	MD 25	99-7108	<b>3-1024-MD</b>	15431
Workman 2100		05-00	Valeo Starter-Generator	MD 25	99-7108	<b>3-1024-MD</b>	15431
Workman 2110	Briggs & Stratton 480cc Gas	09-02	Valeo Starter-Generator	MD 25	99-7108	<b>3-1024-MD</b>	15431
<b>ROPER</b>							
<b>Tractors - Lawn</b>							
Custom 600	Lauson HH-120	68-65	Delco System	DR 15	1101980	<b>3-1019-DR</b>	9193
Suburban 8	Lauson HH-80	66-65	Delco System	DR 15	1101980	<b>3-1019-DR</b>	9193
Suburban 10	Lauson HH-100	68-65	Delco System	DR 15	1101980	<b>3-1019-DR</b>	9193
Suburban 12	Lauson HH-120	70-65	Delco System	DR 15	1101980	<b>3-1019-DR</b>	9193
<b>SIMPLICITY</b>							
<b>Tractors - Lawn</b>							
725 Garden Tractor	Briggs and Stratton	64-63	Delco System	DR 15	1101980	<b>3-1019-DR</b>	9193
		62-59	Delco System	DR 15	1101945	<b>3-1019-DR</b>	9193
Landlord	Briggs and Stratton	68-63	Delco System	DR 15	1101980	<b>3-1019-DR</b>	9193
Soveriegn	Briggs and Stratton	68-67	Delco System	DR 15	1101980	<b>3-1019-DR</b>	9193
<b>YAMAHA</b>							
<b>Golf Carts</b>							
G2 thru G14		95-78	Starter-Generator	HI	GSB107-06B	<b>3-1014-01HI-1</b>	15425
G16 thru G22		96-On	Starter-Generator	HI	GSB107-06	<b>3-1012-01HI-1</b>	15422

◆ See Buyer's Guide for Optional Units



# TECHNICAL REFERENCE GUIDE

ELEC SYS.	POWER OUTPUT	VOLTS	PULLEY/ DRIVE	ROTATION	UNIT DESIGN
<b>1-1938-01PR-1</b> (8902N-61A)					
DR	61A	12		CW	Replacement



Delco style replacement

<b>1-1938-01PR-2</b> (13068N-50A)					
VA	50A	12		CW	IR/EF



Pulley not included.

- 87-78 BMW Inboard Engines
- 75-On BUKH Engines - Marine
- 75-On VALEO Marine Alternators
- 98-64 VOLVO PENTA Inboard & Sterndrive

<b>1-1938-01PR-4</b> (8902N-94A)					
DR	94A	12		CW	Replacement



Delco style 94A replacement

<b>1-1947-01MD</b> (12174N-1V)					
MD	55A	12	1V	CW/CCW	IR/EF



Also replaces Lester 7468, 7563

- 85-On CHRYSLER Engines - Marine IB & Stern
- CRUSADER Engines - Marine
- 89-On GLENWOOD Inboard
- 85-On HARDIN Stern Drives
- 85-On INDMAR Inboard & Sterndrive
- 85-On JACUZZI JET Stern Drives
- 73-On LEHMAN Inboard
- 85-On LUCAS Marine Alternators
- 85-On MANDO Marine Alternators

ELEC SYS.	POWER OUTPUT	VOLTS	PULLEY/ DRIVE	ROTATION	UNIT DESIGN
<b>1-1947-01MD - continued</b>					

- 89-On MEDALIST Inboard
- 87-On MERCUISER Hi-Performance Engines
- 97-81 MERCUISER Inboard Engines
- 96-85 MERCUISER Ski Engines
- 97-78 MERCUISER Stern Drives
- 85-On MOTOROLA Marine Alternators
- 85-On OMC Engines - Marine
- 89-On PANTHER Inboard & Sterndrive
- 85-On PLEASURECRAFT Inboard & Sterndrive
- 85-On REX Inboard & Sterndrive
- 88-On STEWART & STEVENSON Inboard & Sterndrive
- 99-93 VOLVO PENTA Inboard & Sterndrive

<b>1-1948-01MD</b> (12176N-1V)					
MD	65A	12	1V	CW/CCW	IR/EF



- 85-On LUCAS Marine Alternators
- 85-On MANDO Marine Alternators
- 94-On MERCUISER Diesel Engines
- 97-95 MERCUISER Inboard Engines
- 97-94 MERCUISER Ski Engines
- 99-93 MERCUISER Stern Drives

<b>1-2301-00DR</b> (8066N)					
DR	85A	12		CW/CCW	26SI





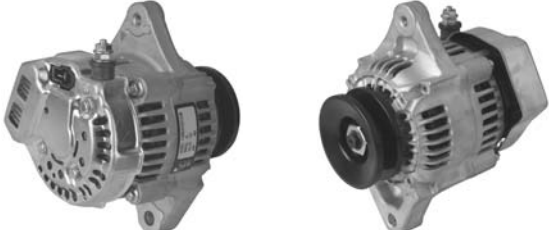


88-On DETROIT DIESEL Inboard

<b>1-2307-31MD</b> (12177N)					
MD	65A	12	1V	CW/CCW	IR/EF



- 85-On CRUSADER Engines - Marine
- 85-On LUCAS Marine Alternators
- 85-On MANDO Marine Alternators
- 85-On OMC Engines - Marine
- 85-On PLEASURECRAFT Inboard & Sterndrive
- 07-93 VOLVO PENTA Inboard & Sterndrive

ELEC SYS.	POWER OUTPUT	VOLTS	PULLEY/ DRIVE	ROTATION	UNIT DESIGN	ELEC SYS.	POWER OUTPUT	VOLTS	PULLEY/ DRIVE	ROTATION	UNIT DESIGN
<b>1-2309-31MD</b> (12174N-6S)						<b>1-2335-01ND - continued</b>					
MD	55A	12	6S	CW/CCW	IR/EF	92-On	JOHN DEERE Mowers - Front JOHN DEERE Mowers - Trim JOHN DEERE Mowers - Turf JOHN DEERE Mowers - Wide Area JOHN DEERE Mowers - Z-Trak				
						87-On	JOHN DEERE Skid Steer Loaders				
						97-84	JOHN DEERE Tractors - Lawn				
85-On LUCAS Marine Alternators 85-On MANDO Marine Alternators 97-On MERCRUISER Inboard Engines 97-On MERCRUISER Ski Engines 95-On MERCRUISER Stern Drives						86-On	JOHN DEERE Tractors - Utility JOHN DEERE Utility Vehicle (UTV)				
						88-On	YANMAR Tractors				
<b>1-2310-31MD</b> (12176N-6S)						<b>1-2392-01MI</b> (12231N)					
MD	65A	12	6S	CW/CCW	IR/EF	MI	40A	12	1V	CW	IR/IF
											
03-95 CUB CADET Tractors - Compact 97-95 CUB CADET Tractors - Utility 87-On MITSUBISHI Inboard 98-88 TORO Mowers - Fairway 98-93 TORO Utility Vehicle (UTV) VETUS Inboard & Sterndrive						<b>1-2458-01ND</b> (12355N)					
						ND	80A	12	2V	CW	IR/IF
HI	40A	12	1V	CW	IR/IF	97-On YANMAR Engines - Marine					
						<b>1-2459-01MD</b> (12751N)					
						MD	55A	12	1V	CW/CCW	IR/EF
98-94 JOHN DEERE Skid Steer Loaders 89-On YANMAR Engines - Marine 96-On YANMAR Generator Sets						Adjustable 3-ear mount					
<b>1-2335-01ND</b> (12188N)						04-85 CRUSADER Engines - Marine					
ND	40A	12	1V	CW	IR/IF						
1/2 in. belt pulley  JOHN DEERE Mowers - Fairway											

◆ See Buyer's Guide for Optional Units

# TECHNICAL REFERENCE GUIDE

ELEC SYS.	POWER OUTPUT	VOLTS	PULLEY/ DRIVE	ROTATION	UNIT DESIGN
-----------	--------------	-------	---------------	----------	-------------

## 1-2460-01DR (8908N)

DR	94A	12	6S	CW	Replacement
----	-----	----	----	----	-------------



Delco style 94A replacement  
Self-exciting, 1-wire hookup  
Ignition Protected

## 1-2460-01VA (12392N)

MD	65A	12	6S	CW/CCW	IR/EF
----	-----	----	----	--------	-------



07-00 VOLVO PENTA Inboard & Sterndrive

## 1-2463-01MD

MD	55A	12	1V	CW/CCW	IR/EF
----	-----	----	----	--------	-------



## 1-2464-01MD (12391N)

MD	65A	12	6S	CW/CCW	IR/EF
----	-----	----	----	--------	-------



98-On LUCAS Marine Alternators  
98-On MANDO Marine Alternators  
07-93 VOLVO PENTA Inboard & Sterndrive

ELEC SYS.	POWER OUTPUT	VOLTS	PULLEY/ DRIVE	ROTATION	UNIT DESIGN
-----------	--------------	-------	---------------	----------	-------------

## 1-2465-01MD

MD	55A	12	1V	CW/CCW	IR/EF
----	-----	----	----	--------	-------



## 1-2468-31MD (12268N)

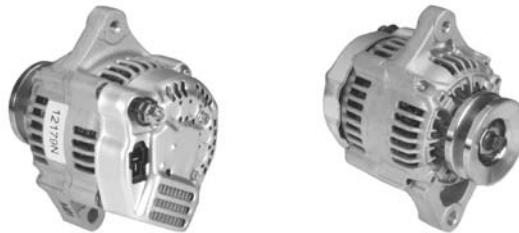
MD	55A	12	1V	CW/CCW	IR/EF
----	-----	----	----	--------	-------



85-On LUCAS Marine Alternators  
85-On MANDO Marine Alternators  
85-On PLEASURECRAFT Inboard & Sterndrive

## 1-2476-01ND (12179N)

ND	40A	12	1V		IR/IF
----	-----	----	----	--	-------



99-Bk KUBOTA Excavators  
89-On KUBOTA Loaders  
86-On KUBOTA Misc. Equipment  
99-Bk KUBOTA Mowers - Front  
96-On KUBOTA Tractors - Compact

## 1-2477-01ND (12198N)

ND	40A	12	1V		IR/IF
----	-----	----	----	--	-------



96-90 KUBOTA Tractors - Compact

ELEC SYS.	POWER OUTPUT	VOLTS	PULLEY/ DRIVE	ROTATION	UNIT DESIGN
<b>1-2480-01MI (12077N)</b>					
MI	40A	12	1V		IR/IF



04-On CASE Tractors - Compact  
 02-87 FORD Tractors - Compact  
 00-On NEW HOLLAND Mowers - Front  
 94-On NEW HOLLAND Skid Steer Loaders  
 87-On NEW HOLLAND Tractors - Compact

### 1-2483-01DR (8465N)

DR	70A	12	1V	CW	7SI
----	-----	----	----	----	-----



02-99 MERCURISER Hi-Performance Engines  
 99-On MERCURISER Stern Drives

### 1-2484-01DR (8466N-1V)

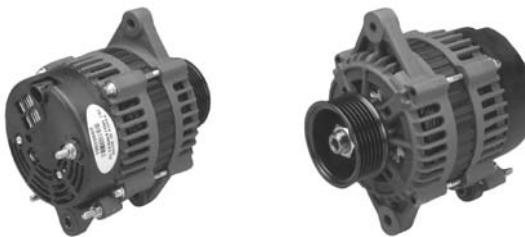
DR	70A	12	1V	CW	7SI
----	-----	----	----	----	-----



04-01 CRUSADER Engines - Marine

### 1-2485-01DR (8460N)

DR	70A	12	6S	CW	7SI
----	-----	----	----	----	-----



97-On MERCURISER Inboard Engines  
 98-On MERCURISER Ski Engines  
 98-On MERCURISER Stern Drives

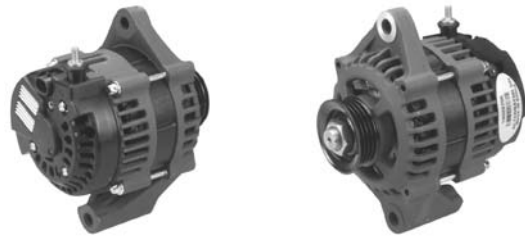
ELEC SYS.	POWER OUTPUT	VOLTS	PULLEY/ DRIVE	ROTATION	UNIT DESIGN
<b>1-2486-01DR (8471N)</b>					
DR	50A	12	4S	CW	5SI



09-98 MERCURY Engines - Marine Outboard

### 1-2487-01DR (8470N)

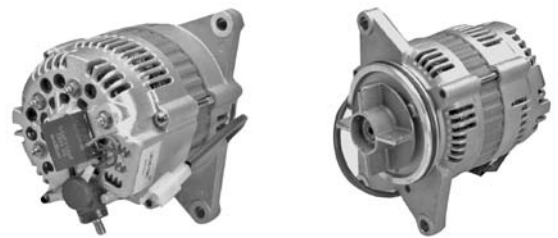
DR	50A	12	4S	CW	5SI
----	-----	----	----	----	-----



00-On MARINER Engines - Marine Outboard  
 00-On MERCURISER Hi-Performance Engines  
 09-98 MERCURY Engines - Marine Outboard

### 1-2494-01HI (12485N)

HI	40A	12			IR/IF
----	-----	----	--	--	-------



Drive blade included

00-90 HONDA Motorcycles

### 1-2494-01HI-1 (12485N-90A)

HI	90A	12			IR/IF
----	-----	----	--	--	-------



High output 90A alternator

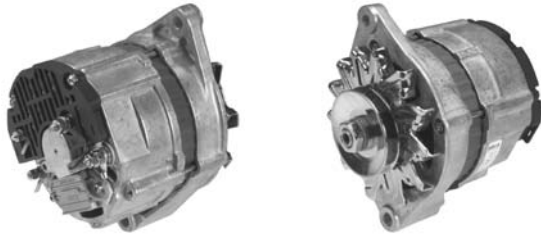
00-90 HONDA Motorcycles

# TECHNICAL REFERENCE GUIDE

ELEC SYS.	POWER OUTPUT	VOLTS	PULLEY/ DRIVE	ROTATION	UNIT DESIGN
-----------	--------------	-------	---------------	----------	-------------

## 1-2525-01VA (12110N-IK)

IK	55A	24	1V	CW	IR/EF
----	-----	----	----	----	-------



07-65 NANNI Engines - Marine  
 RENAULT Engines - Marine  
 VOLVO PENTA Inboard & Sterndrive

## 1-2820-01HI-2 (12109N)

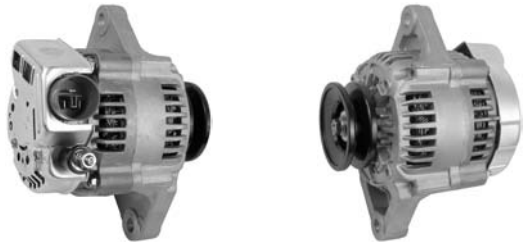
HI	35A	12	1V	CW	IR/EF
----	-----	----	----	----	-------



84-82 YANMAR Engines - Industrial  
 77-On YANMAR Engines - Marine

## 1-2824-01ND-2 (12358N)

ND	50A	12	1V		IR/IF
----	-----	----	----	--	-------



00-94 MARINER Engines - Marine Outboard  
 MERCURY Engines - Marine Outboard

## 1-2834 (8901N)

DR	61A	12	1V	CW	Replacement
----	-----	----	----	----	-------------



Delco style replacement  
 Self exciting, 1-wire hookup  
 Ignition protected

68 EVINRUDE Engines - Marine Outboard  
 68 JOHNSON Engines - Marine  
 74-66 OMC Engines - Marine

ELEC SYS.	POWER OUTPUT	VOLTS	PULLEY/ DRIVE	ROTATION	UNIT DESIGN
-----------	--------------	-------	---------------	----------	-------------

## 1-2835-2 (7466N)

DR	61A	12	1V	CW	10SI
----	-----	----	----	----	------

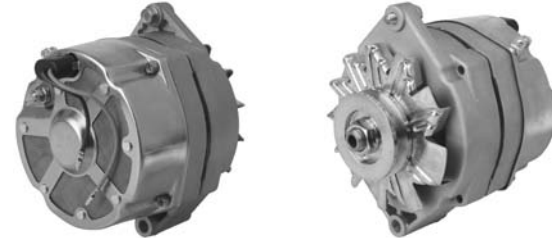


Delco style replacement  
 Self exciting, 2-wire hookup  
 Ignition protected

82-75 MERCUISER Inboard Engines  
 87-70 MERCUISER Stern Drives

## 1-2835-3 (7466N-94A)

DR	94A	12	1V	CW	10SI
----	-----	----	----	----	------

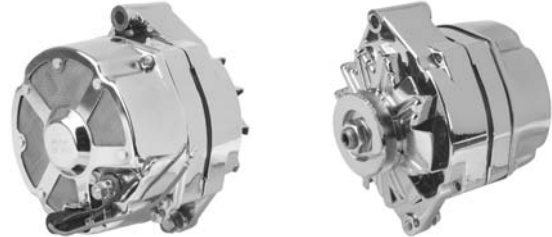


Delco style 94A replacement  
 Self exciting, 2-wire hookup  
 Ignition protected

82-75 MERCUISER Inboard Engines  
 87-70 MERCUISER Stern Drives

## 1-2835-4 (7466NC-94A)

DR	94A	12	1V	CW	10SI
----	-----	----	----	----	------



Delco style 94A replacement  
 Chrome finish  
 Self exciting, 2-wire hookup  
 Ignition protected

82-75 MERCUISER Inboard Engines  
 87-70 MERCUISER Stern Drives

ELEC SYS.	POWER OUTPUT	VOLTS	PULLEY/ DRIVE	ROTATION	UNIT DESIGN
<b>1-2835-5 (7466NC-HQ)</b>					
DR	94A	12	1V	CW	10SI



Delco style 94A replacement  
 Chrome finish w/ hi-quality chrome spark arresting cover  
 Self exciting, 2-wire hookup  
 Ignition protected

82-75 MERCUISER Inboard Engines  
 87-70 MERCUISER Stern Drives

### 1-2837-01DR-2 (8461N)

DR	70A	12	6S	CW	7SI
----	-----	----	----	----	-----



00-On MERCUISER Hi-Performance Engines  
 98-On MERCUISER Inboard Engines  
 97-On MERCUISER Ski Engines  
 98-On MERCUISER Stern Drives

### 1-2874-01HI (12272N)

HI	80A	12	1V	CW	IR/EF
----	-----	----	----	----	-------



82-On YANMAR Engines - Marine

### 1-2879-01ND (12359N)

ND	50A	12	4S	IR/IF	
----	-----	----	----	-------	--



00-98 MARINER Engines - Marine Outboard  
 MERCURY Engines - Marine Outboard

ELEC SYS.	POWER OUTPUT	VOLTS	PULLEY/ DRIVE	ROTATION	UNIT DESIGN
<b>1-2880-01VA (12409N)</b>					
VA	45A	24	1V	CW	IR/EF



73-On BAUDOUIN Engines - Marine  
 75-On FORD FORNAUT Inboard  
 PERKINS Engines - Marine  
 SABRE Engines - Marine  
 85-65 VOLVO PENTA Inboard & Sterndrive

### 1-2881-00VA (12407N)

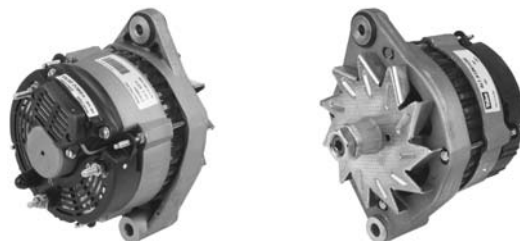
VA	35A	12		CW	IR/EF
----	-----	----	--	----	-------



73-On FARYMAN Engines - Marine  
 82-On MOTOROLA Marine Alternators  
 RENAULT Engines - Marine  
 SABB Engines - Marine  
 85-61 VOLVO PENTA Inboard & Sterndrive

### 1-2882-00VA (12415N)

VA	30A	24		CW	IR/EF
----	-----	----	--	----	-------



73-On BAUDOUIN Engines - Marine  
 BUKH Engines - Marine  
 DAF Engines - Marine  
 RENAULT Engines - Marine  
 85-61 VOLVO PENTA Inboard & Sterndrive

### 1-2883-00VA (13059N)

VA	50A	12		CW	IR/EF
----	-----	----	--	----	-------



04-69 VOLVO PENTA Inboard & Sterndrive

◆ See Buyer's Guide for Optional Units

# TECHNICAL REFERENCE GUIDE

ELEC SYS.	POWER OUTPUT	VOLTS	PULLEY/ DRIVE	ROTATION	UNIT DESIGN
-----------	--------------	-------	---------------	----------	-------------

## 1-2884-00VA (12411N)

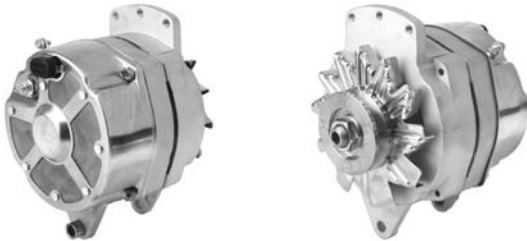
VA	60A	12		CW	IR/EF
----	-----	----	--	----	-------



07-63 VOLVO PENTA Inboard & Sterndrive

## 1-2885-01 (8903N-61A)

DR	61A	12	1V	CW	Replacement
----	-----	----	----	----	-------------



Delco style 61A replacement  
Self-exciting, 1-wire hookup  
Ignition Protected

88-70 CHRYSLER Engines - Marine IB & Stern

## 1-2885-01-1 (8903N-94A)

DR	94A	12	1V	CW	Replacement
----	-----	----	----	----	-------------

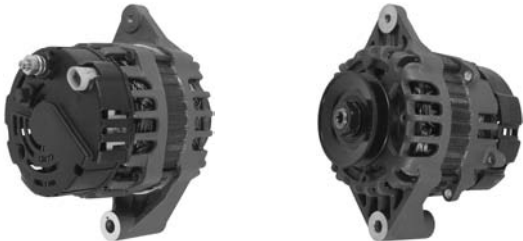


Delco style 94A replacement  
Self-exciting, 1-wire hookup  
Ignition Protected

88-70 CHRYSLER Engines - Marine IB & Stern

## 1-2886-01VA (12672N)

VA	65A	12	1V	CW	IR/IF
----	-----	----	----	----	-------

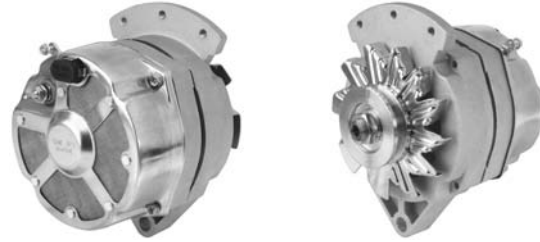


07-00 VOLVO PENTA Inboard & Sterndrive

ELEC SYS.	POWER OUTPUT	VOLTS	PULLEY/ DRIVE	ROTATION	UNIT DESIGN
-----------	--------------	-------	---------------	----------	-------------

## 1-2887 (8904N)

DR	61A	12	1V	CW	Replacement
----	-----	----	----	----	-------------



Self-exciting, 1-wire hookup  
Marine Ignition Protected

## 1-2887-01VA (12673N)

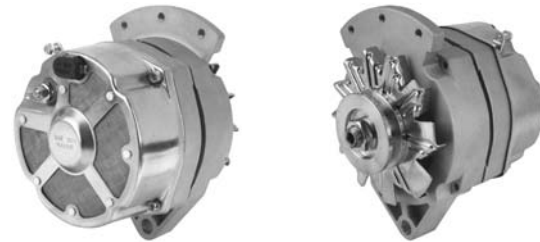
VA	65A	12	6S	CW	IR/IF
----	-----	----	----	----	-------



07-00 VOLVO PENTA Inboard & Sterndrive

## 1-2888 (8905N)

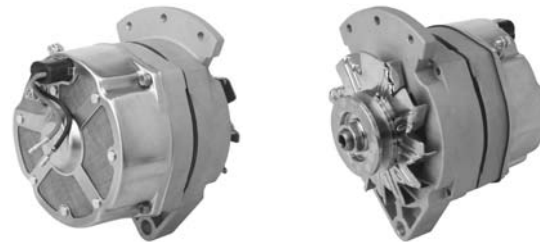
DR	100A	12	1V	CW	Replacement
----	------	----	----	----	-------------



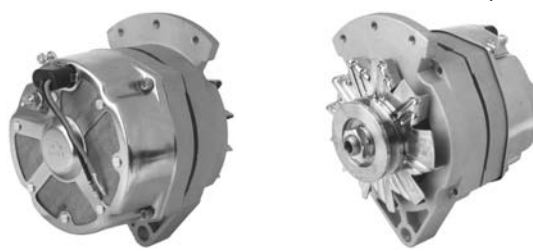
Self-exciting, 1-wire hookup  
Marine Ignition Protected

## 1-2889 (8906N)

DR	61A	12	1V	CW	Replacement
----	-----	----	----	----	-------------



Self-exciting, 2-wire hookup  
Marine Ignition Protected

ELEC SYS.	POWER OUTPUT	VOLTS	PULLEY/ DRIVE	ROTATION	UNIT DESIGN
<b>1-2890</b>					
DR	100A	12	1V	CW	Replacement
					

Self-exciting, 2-wire hookup  
Marine Ignition Protected


ELEC SYS.	POWER OUTPUT	VOLTS	PULLEY/ DRIVE	ROTATION	UNIT DESIGN
<b>1-2891-00MI</b>					
MI	35A	12			IR/IF
					

Drive blade not included

91-86 KAWASAKI Motorcycles


ELEC SYS.	POWER OUTPUT	VOLTS	PULLEY/ DRIVE	ROTATION	UNIT DESIGN
<b>1-2952-01MI</b>					
MI	75A	12			IR/IF
					


04-01 HONDA Motorcycles

ELEC SYS.	POWER OUTPUT	VOLTS	PULLEY/ DRIVE	ROTATION	UNIT DESIGN
<b>1-2966-01ND</b>					
ND	45A	12	1V		IR/IF
					

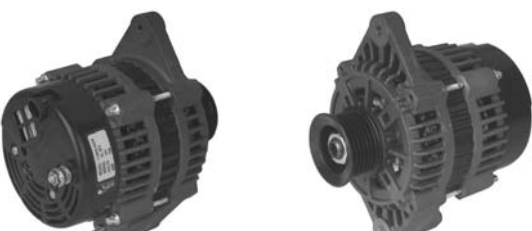
1V/69mm OD Pulley, 15mm ID.

90-On KUBOTA Loaders  
86-On KUBOTA Misc. Equipment  
97-91 KUBOTA Tractors - Compact


ELEC SYS.	POWER OUTPUT	VOLTS	PULLEY/ DRIVE	ROTATION	UNIT DESIGN
<b>1-2996-01DR</b>					
DR	70A	12	2V	CW	7SI
					

ELEC SYS.	POWER OUTPUT	VOLTS	PULLEY/ DRIVE	ROTATION	UNIT DESIGN
<b>1-3045-01DR</b>					
DR	70A	12	6S	CW	7SI
					

04-01 CRUSADER Engines - Marine  
04-01 PLEASURECRAFT Inboard & Sterndrive

ELEC SYS.	POWER OUTPUT	VOLTS	PULLEY/ DRIVE	ROTATION	UNIT DESIGN
<b>1-3045-02DR</b>					
DR	70A	12	6S	CW	7SI
					

CRUSADER Engines - Marine

ELEC SYS.	POWER OUTPUT	VOLTS	PULLEY/ DRIVE	ROTATION	UNIT DESIGN
<b>2-1032-ND</b>					
ND	0.9kW	12	9T	CW	OSGR
					

04-On CASE Tractors - Compact  
98-87 FORD Tractors - Compact  
00-On NEW HOLLAND Mowers - Front  
87-On NEW HOLLAND Tractors - Compact

◆ See Buyer's Guide for Optional Units



# TECHNICAL REFERENCE GUIDE

ELEC SYS.	POWER OUTPUT	VOLTS	PULLEY/ DRIVE	ROTATION	UNIT DESIGN
-----------	--------------	-------	---------------	----------	-------------

## 2-1167-MI (16720R)

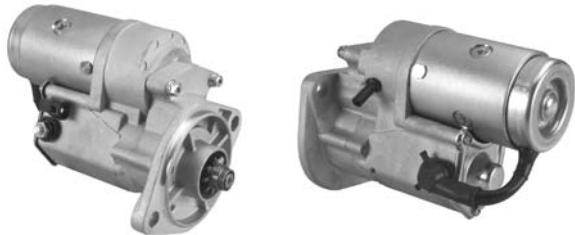
MI	1.2kW	12	9T	CW	OSGR
----	-------	----	----	----	------



MITSUBISHI Inboard

## 2-1193-ND (16739N)

ND	2.0kW	12	9T	CW	OSGR
----	-------	----	----	----	------



84-77 JOHN DEERE Skid Steer Loaders

## 2-1267-BO-2 (17237N)

BO	1.7kW	12	9T	CW	PMGR
----	-------	----	----	----	------



87-86 BMW Inboard Engines

## 2-1288-BO (16954R)

BO	1.1kW	12	9T	CW	DD
----	-------	----	----	----	----



## 2-1340-BO (16450N)

BO	.95kW	12	9T	CCW	DD
----	-------	----	----	-----	----

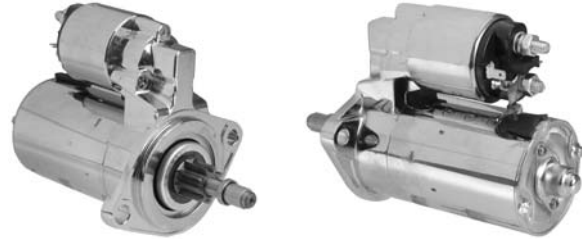


78-On FARYMAN Engines - Marine

ELEC SYS.	POWER OUTPUT	VOLTS	PULLEY/ DRIVE	ROTATION	UNIT DESIGN
-----------	--------------	-------	---------------	----------	-------------

## 2-1340-BO-1 (16450NC)

BO	.95kW	12	9T	CCW	DD
----	-------	----	----	-----	----



Chrome finish

78-On FARYMAN Engines - Marine

## 2-1421-ND (16215R)

ND	0.8kW	12	9T	CW	DD
----	-------	----	----	----	----



85-On JACOBSEN Tractors - Lawn  
 79-On KUBOTA Misc. Equipment  
 95-86 KUBOTA Mowers - Front  
 98-73 KUBOTA Tractors - Compact  
 95-86 KUBOTA Tractors - Garden  
 97-On KUBOTA Tractors - Lawn  
 79-On ONAN Engines  
 04-77 UNIVERSAL Inboard

## 2-1445-MI (16791N)

MI	12	9T	CW	DD
----	----	----	----	----



96-84 CUB CADET Tractors - Garden  
 GRASSHOPPER Tractors - Lawn  
 93-88 KUBOTA Excavators  
 05-Bk KUBOTA Tractors - Garden

## 2-1469-VA (18358N)

VA	1.1kW	12	9T	CCW	PMGR
----	-------	----	----	-----	------



TORO Misc. Equipment

ELEC SYS.	POWER OUTPUT	VOLTS	PULLEY/ DRIVE	ROTATION	UNIT DESIGN
-----------	--------------	-------	---------------	----------	-------------

**2-1554-MI-1 (17291N)**

MI	12	9T	CCW	Replacement
----	----	----	-----	-------------



DD replacement

- 90-84 JOHN DEERE Mowers - Front
- 99-84 NEW HOLLAND Skid Steer Loaders
- 88-On ONAN Engines
- 92-91 TORO Mowers - Zero Turn
- 97-89 TORO Tractors - Lawn

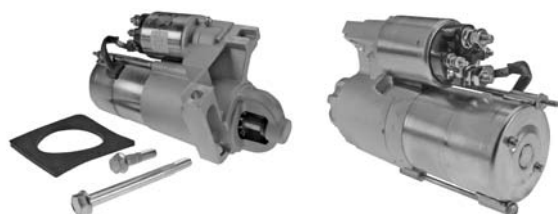
**2-1580-DR (6468N)**

DR	12	10T	CW	28MT
----	----	-----	----	------



**2-1590-DR-2 (3631N-PG)**

DR	1.7kW	12	11T	CW	PG260M
----	-------	----	-----	----	--------



1.7 kW high-performance, PMGR starter replacement for 9-tooth 10MT direct drive starter

- 71-67 CHRIS CRAFT Inboard & Sterndrive
- 69-61 CRUSADER Inboard & Sterndrive
- 68-66 GRAY Inboard & Sterndrive
- 78-63 MERCURISER Stern Drives
- 68-66 TELEDYNE Inboard & Sterndrive
- 64-63 UNIVERSAL Inboard

**2-1591-DR (3550N)**

DR	12	9T	CW	SD300
----	----	----	----	-------



- 95-77 CRUSADER Inboard & Sterndrive
- 95-73 MERCURISER Stern Drives
- 93-78 OMC Engines - Marine

ELEC SYS.	POWER OUTPUT	VOLTS	PULLEY/ DRIVE	ROTATION	UNIT DESIGN
-----------	--------------	-------	---------------	----------	-------------

**2-1591-DR - continued**

- 95-76 PLEASURECRAFT Inboard & Sterndrive
- 88-77 THERMO ELECTRON Engines - Marine
- 89-69 VOLVO PENTA Inboard & Sterndrive

**2-1591-DR-1 (3550NC)**

DR	12	9T	CW	SD300
----	----	----	----	-------



Chrome finish

- 95-77 CRUSADER Inboard & Sterndrive
- 95-73 MERCURISER Stern Drives
- 93-78 OMC Engines - Marine
- 95-76 PLEASURECRAFT Inboard & Sterndrive
- 88-77 THERMO ELECTRON Engines - Marine
- 89-69 VOLVO PENTA Inboard & Sterndrive

**2-1592-DR (3838N)**

DR	12	9T	CW	SD300
----	----	----	----	-------



- 71-67 CHRIS CRAFT Inboard & Sterndrive
- 69-61 CRUSADER Inboard & Sterndrive
- 68-66 GRAY Inboard & Sterndrive
- 78-63 MERCURISER Stern Drives
- 68-66 TELEDYNE Inboard & Sterndrive
- 64-63 UNIVERSAL Inboard

**2-1593-DR-2 (3510N-PG)**

DR	1.7kW	12	11T	CW	PG260M
----	-------	----	-----	----	--------



1.7 kW high-performance, PMGR starter replacement for 9-tooth 10MT direct drive starter

◆ See Buyer's Guide for Optional Units

# TECHNICAL REFERENCE GUIDE

ELEC SYS.	POWER OUTPUT	PULLEY/ DRIVE	ROTATION	UNIT DESIGN
-----------	--------------	---------------	----------	-------------

## 2-1595-DR (3560N)

DR	12	9T	CW	SD300
----	----	----	----	-------



66-On BERKLEY JET Inboard & Sterndrive  
 70-On HARDIN Stern Drives  
 70-On JACUZZI JET Stern Drives

## 2-1601-DR-2 (3635N)

DR	12	9T	CW	SD300
----	----	----	----	-------



69-60 CHRIS CRAFT Inboard & Sterndrive  
 69-61 CRUSADER Inboard & Sterndrive  
 63-61 PALMER Inboard & Sterndrive  
 78-76 TORO Misc. Equipment

## 2-1608-DR-1 (3697N)

DR	12	9T	CW	SD300
----	----	----	----	-------



65-On BERKLEY JET Inboard & Sterndrive  
 65-On HARDIN Stern Drives  
 65-On JACUZZI JET Stern Drives

## 2-1674-FD (3131N)

FD	12	9T	CW	DD
----	----	----	----	----



77-72 NEW HOLLAND Mowers

ELEC SYS.	POWER OUTPUT	PULLEY/ DRIVE	ROTATION	UNIT DESIGN
-----------	--------------	---------------	----------	-------------

## 2-1691-DR-2 (6562N-M)

DR	1.7kW	12	11T	CW	PG260M
----	-------	----	-----	----	--------

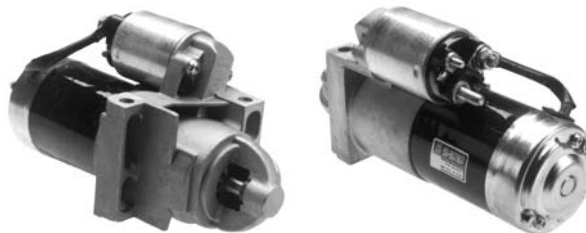


No drain tube, 4-terminal solenoid.  
 Also replaces Delco PG200, PG250 Series: 9000762, 768, 789 (Lester 6409) w/ 9-tooth drive.

90-On MERCUISER Hi-Performance Engines  
 98-87 MERCUISER Ski Engines  
 87-On MERCUISER Stern Drives  
 96-86 OMC Engines - Marine  
 04-01 PLEASURECRAFT Inboard & Sterndrive  
 07-89 VOLVO PENTA Inboard & Sterndrive

## 2-1691-MD (6562N-MD)

MD	1.7kW	12	11T	CW	PMGR
----	-------	----	-----	----	------



## 2-1732-MI-1 (17008N)

MI	2.0kW	12	10T	CW	OSGR
----	-------	----	-----	----	------



83-On ONAN Engines

## 2-1738-MI-1 (17332N)

MI	12	9T	CCW	Replacement
----	----	----	-----	-------------



DD replacement

84-75 JOHN DEERE Skid Steer Loaders  
 75-On ONAN Engines

ELEC SYS.	POWER OUTPUT	VOLTS	PULLEY/ DRIVE	ROTATION	UNIT DESIGN
<b>2-1750-ND</b>					<b>(17362N)</b>
ND	2.7kW	12	13T	CW	OSGR



Replaces early style Nippondenso 028000-840, 11-tooth starter.

90-74 BOBCAT Skid Steer Loaders  
07-04 JOHN DEERE Engines - Marine

<b>2-1760-DR-2</b>					<b>(6563N)</b>
DR	1.7kW	12	11T	CW	PG260M



98-90 MERCUISER Stern Drives  
96-84 OMC Engines - Marine  
99-69 VOLVO PENTA Inboard & Sterndrive

<b>2-1766-HD</b>					<b>(5780NB)</b>
PL		12	10T	CCW	DD



Black finish

85-41 HARLEY DAVIDSON Motorcycles

<b>2-1766-HD-1</b>					<b>(5780NC)</b>
PL		12	10T	CCW	DD



Chrome finish

85-41 HARLEY DAVIDSON Motorcycles

ELEC SYS.	POWER OUTPUT	VOLTS	PULLEY/ DRIVE	ROTATION	UNIT DESIGN
<b>2-1767-HD</b>					<b>(18300NB)</b>
HI		12	10T	CCW	DD



Black finish

88-75 HARLEY DAVIDSON Motorcycles

<b>2-1767-HD-1</b>					<b>(18300NC)</b>
HI		12	10T	CCW	DD



Chrome finish

88-75 HARLEY DAVIDSON Motorcycles

<b>2-1775-HI</b>					<b>(18309N)</b>
HI	0.4kW	12	9T	CCW	DD



90-87 JOHN DEERE Utility Vehicle (UTV)  
KAWASAKI Small Engines

<b>2-1781-MI</b>					<b>(17096N)</b>
MI	2.0kW	12	13T	CW	OSGR



03-00 CUB CADET Tractors - Compact  
82-On MITSUBISHI Inboard  
80-On TORO Misc. Equipment  
01-83 TORO Mowers - Fairway

# TECHNICAL REFERENCE GUIDE

ELEC SYS.	POWER OUTPUT	VOLTS	PULLEY/ DRIVE	ROTATION	UNIT DESIGN
-----------	--------------	-------	---------------	----------	-------------

## 2-1785-ND (18404N)

ND	0.6kW	12	9T	CCW	DD
----	-------	----	----	-----	----



05 BOMBARDIER Utility Vehicle (UTV)  
 92-88 JOHN DEERE Utility Vehicle (UTV)  
 KAWASAKI Small Engines

## 2-1791-ND (17617N)

ND	1.2kW	12		CW	OSGR
----	-------	----	--	----	------



Black finish  
 Early Style 1/4-20 hole in output shaft

90-89 HARLEY DAVIDSON Motorcycles

## 2-1872-HI (18209N)

HI	1.0kW	12	9T	CW	DD
----	-------	----	----	----	----



81-On YANMAR Engines - Industrial  
 80-On YANMAR Engines - Marine

## 2-1916-HI-1 (18205N)

ND	12	15T	CW	Replacement
----	----	-----	----	-------------



DD replacement

80-On YANMAR Engines - Industrial  
 82-On YANMAR Engines - Marine  
 81-On YANMAR Tractors

ELEC SYS.	POWER OUTPUT	VOLTS	PULLEY/ DRIVE	ROTATION	UNIT DESIGN
-----------	--------------	-------	---------------	----------	-------------

## 2-1925-BO (17318N)

BO	2.2kW	12	11T	CW	DD
----	-------	----	-----	----	----



94-89 DEUTZ Engines - Marine

## 2-1931-ND (18199N-WF)

ND	1.4kW	12		CW	OSGR
----	-------	----	--	----	------



Black finish  
 Late style 10-32 hole in output shaft

06-94 HARLEY DAVIDSON Motorcycles

## 2-1931-ND-3 (18199NC)

ND	1.4kW	12		CW	OSGR
----	-------	----	--	----	------



Chrome finish  
 Late style 10-32 hole in output shaft

## 2-1931-ND-4 (18199N)

ND	1.4kW	12		CW	OSGR
----	-------	----	--	----	------



Plain finish  
 Late style 10-32 hole in output shaft

06-94 HARLEY DAVIDSON Motorcycles

ELEC SYS.	POWER OUTPUT	VOLTS	PULLEY/ DRIVE	ROTATION	UNIT DESIGN
<b>2-1931-ND-5 (18446NC)</b>					
ND	1.8kW	12		CW	OSGR



Chrome finish  
1.8kW high torque starter  
Late style 10-32 hole in output shaft

<b>2-1946-BO (18230N)</b>					
BO	2.2kW	12	11T	CW	PLGR



95-On DEUTZ Engines - Marine

<b>2-1948-HI (18055N)</b>					
HI	0.9kW	12	8T	CW	PMDD



93-87 JOHN DEERE Mowers - Front  
JOHN DEERE Mowers - Greens  
JOHN DEERE Mowers - Professional  
99-88 JOHN DEERE Skid Steer Loaders  
97-86 JOHN DEERE Tractors - Lawn  
90-86 JOHN DEERE Tractors - Utility  
JOHN DEERE Utility Vehicle (UTV)  
06-On NEW HOLLAND Excavators  
85-On YANMAR Engines - Industrial  
85-On YANMAR Tractors

<b>2-1960-ND-2 (18175N)</b>					
ND	1.4kW	12	11T	CW	OSGR



98-90 BOBCAT Compact Excavators  
80-On KUBOTA Misc. Equipment

ELEC SYS.	POWER OUTPUT	VOLTS	PULLEY/ DRIVE	ROTATION	UNIT DESIGN
<b>2-1963-MI (17081N)</b>					
MI	2.0kW	12	11T	CW	PLGR



83-On TORO Mowers - Fairway

<b>2-1999-DR-2 (6792N)</b>					
DR	1.4kW	12	11T	CW	PG260G



11-tooth drive, 4-terminal solenoid.  
Replaces Delco PG260F1 Starters: 9000839, 840 w/ 9-tooth drive.

98-On MERCUISER Ski Engines  
95-On MERCUISER Stern Drives  
07-94 VOLVO PENTA Inboard & Sterndrive

<b>2-1999-DR-3 (6792NB)</b>					
DR	1.4kW	12	11T	CW	PG260G



Black epoxy paint  
11-tooth drive, 4-terminal solenoid.  
Replaces Delco PG260F1 Starters: 9000839, 840 w/ 9-tooth drive.

98-On MERCUISER Ski Engines  
95-On MERCUISER Stern Drives  
07-94 VOLVO PENTA Inboard & Sterndrive

<b>2-1999-MD (6792N-MD)</b>					
MD		12	11T	CW	PMGR



98-On MERCUISER Ski Engines  
95-On MERCUISER Stern Drives  
07-94 VOLVO PENTA Inboard & Sterndrive

# TECHNICAL REFERENCE GUIDE

ELEC SYS.	POWER OUTPUT	VOLTS	PULLEY/ DRIVE	ROTATION	UNIT DESIGN
-----------	--------------	-------	---------------	----------	-------------

## 2-2006-HI (18299N)

HI	2.2kW	12	9T	CW	OSGR
----	-------	----	----	----	------



Also replaces Hitachi DD Starters: S12-48, S12-58 (Lester 18298)

98-94 MUSTANG Skid Steer Loaders

## 2-2007-HI (17300N)

HI	1.2kW	12	9T	CW	DD
----	-------	----	----	----	----



86-83 FORD Skid Steer Loaders  
 86-83 FORD Tractors - Compact  
 86-83 NEW HOLLAND Loaders - Compact  
 86-83 NEW HOLLAND Tractors - Compact

## 2-2008-HI (18203N)

HI	0.8kW	12	8T	CCW	PMDD
----	-------	----	----	-----	------



83-On YANMAR Engines - Industrial

## 2-2009-HI (18219N)

HI	12	11T	CW	PMGR
----	----	-----	----	------



03-94 YANMAR Engines - Marine

ELEC SYS.	POWER OUTPUT	VOLTS	PULLEY/ DRIVE	ROTATION	UNIT DESIGN
-----------	--------------	-------	---------------	----------	-------------

## 2-2010-HI (18304N)

HI	0.6kW	12	12T	CCW	PMDD
----	-------	----	-----	-----	------



76-On WISCONSIN ROBBINS Engines

## 2-2011-HI (18312N)

HI	1.0kW	12	9T	CW	DD
----	-------	----	----	----	----



78-On WISCONSIN ROBBINS Engines

## 2-2013-HI (18218N)

HI	0.9kW	12	9T	CW	PMDD
----	-------	----	----	----	------



84-On YANMAR Engines - Industrial  
 85-On YANMAR Tractors

## 2-2015-HI (18206R)

HI	1.3kW	12	11T	CW	DD
----	-------	----	-----	----	----



71-On YANMAR Engines - Marine  
 77-On YANMAR Tractors

ELEC SYS.	POWER OUTPUT	VOLTS	PULLEY/ DRIVE	ROTATION	UNIT DESIGN
<b>2-2016-HI (18204)</b>					
HI	2.5kW	12	15T	CW	OSGR



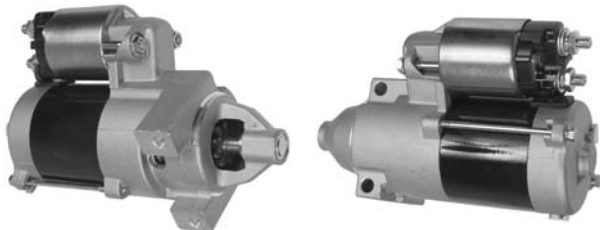
94-87 JOHN DEERE Skid Steer Loaders  
 80-On YANMAR Engines - Industrial  
 87-On YANMAR Engines - Marine  
 76-On YANMAR Tractors

<b>2-2022-DR (6744N)</b>					
DR	12	10T	CCW	PMDD	



06-02 CUB CADET Mowers - Professional  
 06-04 CUB CADET Mowers - Zero Turn  
 06-94 CUB CADET Tractors - Compact  
 06-05 CUB CADET Tractors - Garden  
 CUB CADET Tractors - Lawn  
 08-05 CUB CADET Utility Vehicle (UTV)  
 GRASSHOPPER Tractors - Lawn  
 JOHN DEERE Mowers - Front  
 JOHN DEERE Mowers - Greens  
 JOHN DEERE Mowers - Walk Behind  
 JOHN DEERE Mowers - Z-Trak  
 JOHN DEERE Tractors - Lawn  
 05-Bk KUBOTA Mowers - Zero Turn  
 05-Bk KUBOTA Tractors - Garden  
 05-Bk KUBOTA Tractors - Lawn  
 09-04 TORO Aerator  
 09-01 TORO Loaders - Compact  
 04-03 TORO Mowers - Fairway  
 09-01 TORO Mowers - Zero Turn  
 09-02 TORO Utility Vehicle (UTV)

<b>2-2022-ND (17628N)</b>					
ND	0.6kW	12	9T	CCW	DD



02-00 CUB CADET Mowers - Riding  
 99-97 CUB CADET Mowers - Zero Turn  
 03-94 CUB CADET Tractors - Compact  
 97-93 CUB CADET Tractors - Garden  
 JOHN DEERE Mowers - Front  
 JOHN DEERE Mowers - Greens  
 JOHN DEERE Mowers - Walk Behind  
 JOHN DEERE Mowers - Z-Trak  
 96-89 JOHN DEERE Tractors - Lawn

ELEC SYS.	POWER OUTPUT	VOLTS	PULLEY/ DRIVE	ROTATION	UNIT DESIGN
<b>2-2022-ND - continued</b>					
00-On	NEW HOLLAND Skid Steer Loaders				
97-On	NEW HOLLAND Tractors - Garden				
99-On	SCOTT'S Tractors - Lawn				
04-98	TORO Loaders - Compact				
02-96	TORO Mowers - Fairway				
01-97	TORO Mowers - Zero Turn				
00-On	TORO Sprayers				
05-94	TORO Tractors - Lawn				
01-94	TORO Utility Vehicle (UTV)				

<b>2-2026-HI (17294R)</b>					
HI	2.2kW	12	10T	CW	DD



Replaces Lucas M50 series starter

88-75 NEW HOLLAND Tractors - Utility

<b>2-2035-ND (18512N)</b>					
ND	0.7kW	12	9T	CCW	DD



JOHN DEERE Utility Vehicle (UTV)  
 KAWASAKI Utility Vehicle (UTV)

<b>2-2043-ND (18008R)</b>					
ND	4.0kW	12	10T	CW	DD



JOHN DEERE Engines - Marine

<b>2-2073-UT (5712N)</b>					
UT	12	11T	CCW	PMDD	



98-60 EVINRUDE Engines - Marine Outboard  
 05-60 JOHNSON Engines - Marine Outboard

◆ See Buyer's Guide for Optional Units



# TECHNICAL REFERENCE GUIDE

ELEC SYS.	POWER OUTPUT	PULLEY/ DRIVE	ROTATION	UNIT DESIGN
-----------	--------------	---------------	----------	-------------

## 2-2074-UT (5709N)

UT	12	8T	CCW	PMDD
----	----	----	-----	------



Also replaces Prestolite 46-2387, MJL4005 starter (Lester 5294)

95-77 EVINRUDE Engines - Marine Outboard  
92-77 JOHNSON Engines - Marine Outboard

## 2-2075-UT (5400N)

UT	12	9T	CCW	PMDD
----	----	----	-----	------



83-65 MERCURY Engines - Marine Outboard

## 2-2076-UT (5708N)

UT	12	10T	CCW	PMDD
----	----	-----	-----	------



99-78 MARINER Engines - Marine Outboard  
99-73 MERCURY Engines - Marine Outboard

## 2-2077-UT (5735N)

UT	12	10T	CCW	PMDD
----	----	-----	-----	------



Also replaces Prestolite MGL-4001B starter (Lester 5295)

88-78 MARINER Engines - Marine Outboard  
88-69 MERCURY Engines - Marine Outboard

ELEC SYS.	POWER OUTPUT	PULLEY/ DRIVE	ROTATION	UNIT DESIGN
-----------	--------------	---------------	----------	-------------

## 2-2078-UT (5718N)

UT	12	9T	CCW	PMDD
----	----	----	-----	------



98-69 EVINRUDE Engines - Marine Outboard  
01-69 JOHNSON Engines - Marine Outboard

## 2-2079-UT (5719N)

UT	12	10T	CCW	PMDD
----	----	-----	-----	------



97-64 EVINRUDE Engines - Marine Outboard  
94-64 JOHNSON Engines - Marine Outboard

## 2-2080-UT (5716N)

UT	12	9T	CCW	PMDD
----	----	----	-----	------



Also replaces Prestolite 46-2439, MKW4006, MKW4008 starters (Lester 5281)

97-60 EVINRUDE Engines - Marine Outboard  
88-70 JOHNSON Engines - Marine Outboard

## 2-2081-UT (5389N)

UT	12	8T	CCW	PMDD
----	----	----	-----	------



00-79 MARINER Engines - Marine Outboard  
05-76 MERCURY Engines - Marine Outboard

ELEC SYS.	POWER OUTPUT	VOLTS	PULLEY/ DRIVE	ROTATION	UNIT DESIGN
<b>2-2082-UT (5732N)</b>					
UT	12	9T	CCW	PMDD	



84-66 CHRYSLER Engines - Marine Outboard  
 94-83 FORCE Engines - Marine Outboard  
 89-66 U.S. Outboard Motors

<b>2-2083-UT (5757N)</b>					
UT	12	9T	CCW	PMDD	



92-80 CUB CADET Tractors - Garden  
 93-87 CUB CADET Tractors - Lawn  
 KOHLER Engines  
 89 TORO Tractors - Lawn

<b>2-2085-BO (18024)</b>					
BO	3.1kW	12	10T	CW	DD

*Photo Not Available.*

03-On NEW HOLLAND Tractors - Compact

<b>2-2090-MI (18162N)</b>					
MI	0.7kW	12	9T	CW	DD



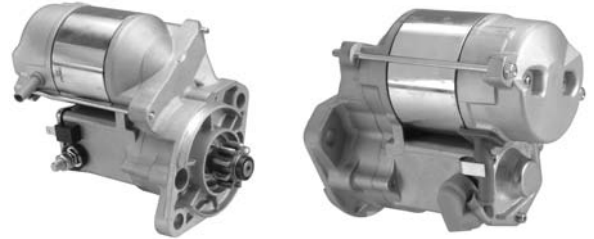
93-89 GRASSHOPPER Tractors - Lawn  
 KUBOTA Excavators  
 95-90 KUBOTA Tractors - Lawn

<b>2-2093-MI (18168N)</b>					
MI	12	10T	CCW	OSGR	



79-On ONAN Engines

ELEC SYS.	POWER OUTPUT	VOLTS	PULLEY/ DRIVE	ROTATION	UNIT DESIGN
<b>2-2107-ND (18144N)</b>					
ND	1.4kW	12	9T	CW	OSGR



77-On KUBOTA Excavators  
 86-On KUBOTA Generator Sets  
 89-On KUBOTA Loaders  
 77-On KUBOTA Misc. Equipment  
 04-75 KUBOTA Tractors - Compact  
 95-81 NEW HOLLAND Skid Steer Loaders  
 98-78 UNIVERSAL Inboard

<b>2-2123-UT (5760N)</b>					
UT	12	10T	CCW	PMDD	



KOHLER Engines

<b>2-2126-UT (5765N)</b>					
UT	12	13T	CCW	PMDD	



CUSHMAN Carts

<b>2-2127-UT (5766N)</b>					
UT	12	9T	CCW	PMDD	



82-75 JOHN DEERE Tractors - Lawn  
 KOHLER Engines

# TECHNICAL REFERENCE GUIDE

ELEC SYS.	POWER OUTPUT	VOLTS	PULLEY/ DRIVE	ROTATION	UNIT DESIGN
-----------	--------------	-------	---------------	----------	-------------

## 2-2128-UT (5767N)

UT	12	16T	CCW	PMDD
----	----	-----	-----	------



80-74 CUB CADET Tractors - Garden  
 78-68 JOHN DEERE Tractors - Lawn  
 KOHLER Engines

## 2-2129-UT (5761N)

UT	12	10T	CCW	PMDD
----	----	-----	-----	------



84-77 JOHN DEERE Skid Steer Loaders  
 87-68 JOHN DEERE Tractors - Lawn  
 KOHLER Engines  
 87-85 TORO Mowers - Greens

## 2-2130-HI (18305N)

HI	12	9T	CCW	DD
----	----	----	-----	----



95-76 KAWASAKI Personal Watercraft (PWC)

## 2-2145-ND (17605N)

ND	12	9T	CCW	PMDD
----	----	----	-----	------

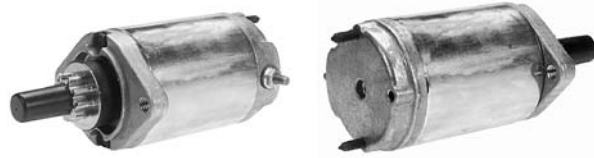


94-89 ROTAX MARINE - BRP Engines  
 94-92 SEA-DOO Personal Watercraft (PWC)  
 94-93 SEA-DOO Sportboats

ELEC SYS.	POWER OUTPUT	VOLTS	PULLEY/ DRIVE	ROTATION	UNIT DESIGN
-----------	--------------	-------	---------------	----------	-------------

## 2-2146 (5768N)

UT	12	9T	CW	PMDD
----	----	----	----	------



09-97 POLARIS Snowmobiles

## 2-2147 (18415N)

ND	12	9T	CCW	PMDD
----	----	----	-----	------



05-95 ROTAX MARINE - BRP Engines  
 05-95 SEA-DOO Personal Watercraft (PWC)  
 99-95 SEA-DOO Sportboats

## 2-2148 (18330N-K)

MT	12		CW	PMDD
----	----	--	----	------



09-86 KAWASAKI Personal Watercraft (PWC)

## 2-2150 (18420N)

MT	12	9-SPL	CW	PMDD
----	----	-------	----	------



08-90 YAMAHA Personal Watercraft (PWC)

## 2-2151 (18416N)

ND	12	9T	CCW	PMDD
----	----	----	-----	------



99-95 ROTAX MARINE - BRP Engines  
 99-95 SEA-DOO Personal Watercraft (PWC)  
 99-96 SEA-DOO Sportboats

ELEC SYS.	POWER OUTPUT	VOLTS	PULLEY/ DRIVE	ROTATION	UNIT DESIGN
<b>2-2152</b> (18435N)					
HI		12		CW	PMDD



99-93 ARCTIC CAT Personal Watercraft (PWC)

<b>2-2153</b> (18399N)					
MT		12	9-SPL	CCW	PMDD



07-98 ROTAX MARINE - BRP Engines  
 07-98 SEA-DOO Personal Watercraft (PWC)  
 06-00 SEA-DOO Sportboats

<b>2-2154-1</b> (18421N)					
MT		12	9-SPL	CW	PMDD



08-95 YAMAHA Personal Watercraft (PWC)  
 05-96 YAMAHA Sportboats

<b>2-2155</b> (5723N)					
UT		12	10T	CCW	PMDD



01-85 EVINRUDE Engines - Marine Outboard  
 01-85 JOHNSON Engines - Marine Outboard

ELEC SYS.	POWER OUTPUT	VOLTS	PULLEY/ DRIVE	ROTATION	UNIT DESIGN
<b>2-2156</b> (5734N)					
UT		12	9T	CCW	PMDD



99-98 FORCE Engines - Marine Outboard  
 00-93 MERCURY Engines - Marine Outboard

<b>2-2157</b> (5733N)					
UT		12	10T	CCW	PMDD



Also replaces Prestolite MGL-4006 starter (Lester 5296)

75-65 MERCURY Engines - Marine Outboard

<b>2-2158</b> (5399N)					
UT		12	10T	CCW	PMDD



97-80 MARINER Engines - Marine Outboard  
 97-76 MERCURY Engines - Marine Outboard

<b>2-2159</b> (5721N)					
UT		12	10T	CCW	PMDD



98-85 EVINRUDE Engines - Marine Outboard  
 01-85 JOHNSON Engines - Marine Outboard

◆ See Buyer's Guide for Optional Units

# TECHNICAL REFERENCE GUIDE

ELEC SYS.	POWER OUTPUT	VOLTS	PULLEY/ DRIVE	ROTATION	UNIT DESIGN
-----------	--------------	-------	---------------	----------	-------------

## 2-2160 (5713N)

UT	12	9T	CCW	PMDD
----	----	----	-----	------



98-87 EVINRUDE Engines - Marine Outboard  
05-87 JOHNSON Engines - Marine Outboard

## 2-2161 (5714N)

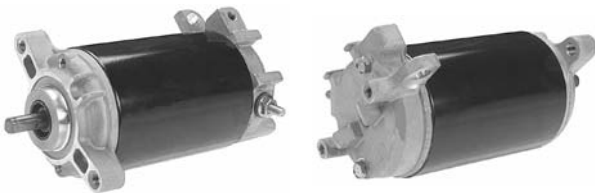
UT	12	9T	CCW	PMDD
----	----	----	-----	------



98-80 EVINRUDE Engines - Marine Outboard  
94-80 JOHNSON Engines - Marine Outboard

## 2-2162 (5741N)

UT	12	CW	PMDD
----	----	----	------



98-91 EVINRUDE Engines - Marine Outboard  
01-91 JOHNSON Engines - Marine Outboard

## 2-2163-2 (5724N)

UT	12	10T	CCW	PMDD
----	----	-----	-----	------



01-84 MARINER Engines - Marine Outboard  
05-80 MERCURY Engines - Marine Outboard

ELEC SYS.	POWER OUTPUT	VOLTS	PULLEY/ DRIVE	ROTATION	UNIT DESIGN
-----------	--------------	-------	---------------	----------	-------------

## 2-2164 (5738N)

UT	12	13T	CCW	PMDD
----	----	-----	-----	------



Battery terminal exits at back of starter

99-92 FORCE Engines - Marine Outboard

## 2-2165 (5729N)

UT	12	13T	CCW	PMDD
----	----	-----	-----	------



Battery terminal exits on side of starter

94-92 FORCE Engines - Marine Outboard

## 2-2166 (5722N)

UT	12	10T	CCW	PMDD
----	----	-----	-----	------



98-81 EVINRUDE Engines - Marine Outboard  
98-94 JOHNSON Engines - Marine Outboard

## 2-2167-HI (18314N)

HI	12	9T	CCW	DD
----	----	----	-----	----



02-84 YAMAHA Outboard Motors

ELEC SYS.	POWER OUTPUT	VOLTS	PULLEY/ DRIVE	ROTATION	UNIT DESIGN
<b>2-2168-HI</b> (18319N)					
HI		12	9T	CCW	DD



08-92 NISSAN Engines - Marine Outboard  
 98-80 SUZUKI Engines - Marine Outboard  
 08-92 TOHATSU Engines - Marine Outboard

<b>2-2169-ND</b> (17629NB)					
ND	1.4kW	12		CW	OSGR



Black finish  
 Early Style 1/4-20 hole in output shaft

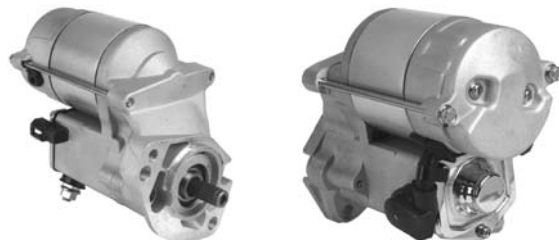
93-91 HARLEY DAVIDSON Motorcycles

<b>2-2169-ND-3</b> (17629NC)					
ND	1.4kW	12		CW	OSGR



Chrome finish  
 Early Style 1/4-20 hole in output shaft

<b>2-2169-ND-4</b> (17629N)					
ND	1.4kW	12		CW	OSGR



Plain finish  
 Early Style 1/4-20 hole in output shaft

93-91 HARLEY DAVIDSON Motorcycles

ELEC SYS.	POWER OUTPUT	VOLTS	PULLEY/ DRIVE	ROTATION	UNIT DESIGN
<b>2-2169-ND-5</b> (17629NC-HT)					
ND	1.8kW	12		CW	OSGR



Chrome finish  
 1.8kW high torque starter  
 Early Style 1/4-20 hole in output shaft

<b>2-2175-UT</b> (5756N)					
UT		12	10T	CCW	PMDD



89-87 CUB CADET Tractors - Garden  
 KOHLER Engines  
 97-87 TORO Mowers - Fairway  
 97-87 TORO Mowers - Greens  
 96-92 TORO Sports Field Equipment  
 98-85 TORO Tractors - Lawn

<b>2-2176</b> (18737N)					
MT		12	31-SPL	CW	PMDD



Long shaft type

98-84 YAMAHA Motorcycles

<b>2-2177</b> (18727N)					
MT		12	31-SPL	CW	PMDD



Short shaft type

85-81 YAMAHA Motorcycles

# TECHNICAL REFERENCE GUIDE

ELEC SYS.	POWER OUTPUT	VOLTS	PULLEY/ DRIVE	ROTATION	UNIT DESIGN
-----------	--------------	-------	---------------	----------	-------------

## 2-2178-MT (18336N)

MT	12	9-SPL	CCW	PMDD
----	----	-------	-----	------



08-97 HONDA All-Terrain Vehicle (ATV)

## 2-2179-MT (18335N)

MT	12	10-SPL	CW	PMDD
----	----	--------	----	------



Short shaft

86 HONDA All-Terrain Vehicle (ATV)

## 2-2180-MT (18341N)

ND	12	10-SPL	CCW	PMDD
----	----	--------	-----	------



Short shaft

86-85 HONDA All-Terrain Vehicle (ATV)

## 2-2181-MT (18337N)

MT	12	10-SPL	CCW	PMDD
----	----	--------	-----	------



Long shaft

00-87 HONDA All-Terrain Vehicle (ATV)

ELEC SYS.	POWER OUTPUT	VOLTS	PULLEY/ DRIVE	ROTATION	UNIT DESIGN
-----------	--------------	-------	---------------	----------	-------------

## 2-2182-MT (18339N)

MT	12			CW	PMDD
----	----	--	--	----	------



Long shaft

89-87 HONDA All-Terrain Vehicle (ATV)

## 2-2183 (18331N)

MT	12	9-SPL	CW	PMGR
----	----	-------	----	------



Does not include starter drive.

06-90 POLARIS All-Terrain Vehicle (ATV)  
97-89 POLARIS Utility Vehicle (UTV)

## 2-2184-MT (18329N)

MT	12	10-SPL	CW	PMDD
----	----	--------	----	------

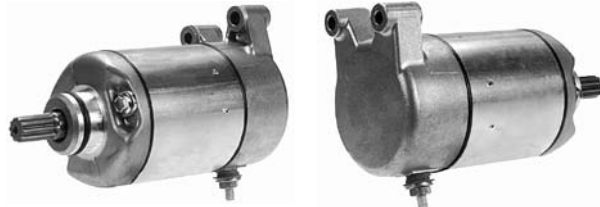


Long shaft

08-93 HONDA All-Terrain Vehicle (ATV)

## 2-2185-MT (18338N)

MT	12	10-SPL	CW	PMDD
----	----	--------	----	------



90-89 HONDA All-Terrain Vehicle (ATV)

ELEC SYS.	POWER OUTPUT	VOLTS	PULLEY/ DRIVE	ROTATION	UNIT DESIGN
<b>2-2186-MT</b>					<b>(18332N)</b>
MT		12	14T	CCW	PMGR



06-03 KAWASAKI All-Terrain Vehicle (ATV)  
06-87 SUZUKI All-Terrain Vehicle (ATV)

<b>2-2187</b>					<b>(18340N)</b>
ND		12	9-SPL	CW	PMDD



08-85 YAMAHA All-Terrain Vehicle (ATV)

<b>2-2188</b>					<b>(5742N)</b>
BS		12	16T	CCW	PMDD



06-04 BRIGGS & STRATTON Engines  
CUB CADET Mowers - Zero Turn  
98 CUB CADET Tractors - Compact  
93-72 CUB CADET Tractors - Lawn  
75-On JOHN DEERE Mowers - Riding  
85-75 JOHN DEERE Tractors - Lawn  
SABO Tractors - Lawn  
08-77 TORO Tractors - Lawn

<b>2-2189</b>					<b>(5743N)</b>
BS		12	16T	CCW	PMDD



86-79 BRIGGS & STRATTON Engines  
CUB CADET Tractors - Garden  
86-85 CUB CADET Tractors - Lawn  
JOHN DEERE Misc. Lawn Equipment (By Engines)  
JOHN DEERE Mowers - Walk Behind  
85-82 JOHN DEERE Tractors - Lawn  
87-85 TORO Tractors - Lawn

ELEC SYS.	POWER OUTPUT	VOLTS	PULLEY/ DRIVE	ROTATION	UNIT DESIGN
<b>2-2190</b>					<b>(5745N)</b>
BS		12	16T	CCW	PMDD



86-79 TORO Mowers - Fairway

<b>2-2191</b>					<b>(5746N)</b>
BS		12	16T	CCW	PMDD



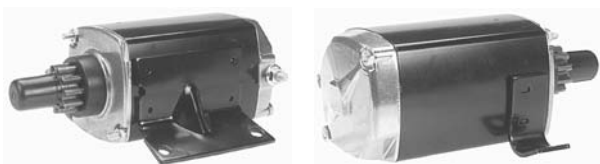
90-89 CUB CADET Mowers - Ride Behind  
02-00 CUB CADET Mowers - Riding  
06-03 CUB CADET Mowers - Zero Turn  
04-94 CUB CADET Tractors - Compact  
97-92 CUB CADET Tractors - Garden  
88-87 CUB CADET Tractors - Lawn  
96 CUB CADET Utility Vehicle (UTV)  
GENERAC Generator Sets  
JOHN DEERE Mowers - Z-Trak  
85-79 JOHN DEERE Tractors - Lawn  
99-On SCOTT'S Tractors - Lawn  
09-05 TORO Mowers - Zero Turn  
93-92 TORO Sports Field Equipment  
09-78 TORO Tractors - Lawn

<b>2-2192</b>					<b>(5744N)</b>
BS		12	16T	CCW	PMDD



BRIGGS & STRATTON Engines

<b>2-2193</b>					<b>(5751N)</b>
TC		12	11T	CCW	



81-73 CASE Uni-Loaders



# TECHNICAL REFERENCE GUIDE

ELEC SYS.	POWER OUTPUT	PULLEY/ DRIVE	ROTATION	UNIT DESIGN
-----------	--------------	---------------	----------	-------------

## 2-2194 (5749N)

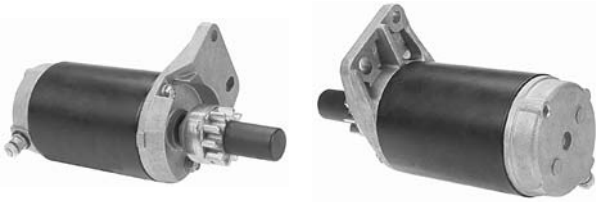
TC	12	16T	CCW	
----	----	-----	-----	--



TECUMSEH Engines

## 2-2195-UT (5702N)

UT	12	10T	CCW	PMDD
----	----	-----	-----	------



79-On  
CASE Uni-Loaders  
ONAN Engines

## 2-2196 (18966N)

ND	0.6kW 12	9T	CCW	PMDD
----	----------	----	-----	------



KOHLER Engines

## 2-2208 (18600N)

MT	12	CW	PMDD	
----	----	----	------	--



83-80 HONDA Motorcycles

## 2-2241 (5770N)

UT	12	13T	CCW	PMDD
----	----	-----	-----	------



99-97 CUB CADET Mowers - Zero Turn  
04-02 CUB CADET Tractors - Compact  
95-On JOHN DEERE Tractors - Lawn

ELEC SYS.	POWER OUTPUT	PULLEY/ DRIVE	ROTATION	UNIT DESIGN
-----------	--------------	---------------	----------	-------------

## 2-2241 - continued

NEW HOLLAND Mowers - Zero Turn  
04-On NEW HOLLAND Tractors - Lawn  
99-On SCOTT'S Tractors - Lawn  
08-01 TORO Mowers - Zero Turn  
05-96 TORO Tractors - Lawn

## 2-2242 (5771N)

UT	12	13T	CCW	PMDD
----	----	-----	-----	------



91-90 CUB CADET Tractors - Garden  
93-89 CUB CADET Tractors - Lawn  
07-05 TORO Tractors - Garden  
04-94 TORO Tractors - Lawn

## 2-2244 (5706N)

UT	12	16T	CCW	PMDD
----	----	-----	-----	------



75-On ONAN Engines

## 2-2245 (5915)

UT	12	9T	CCW	PMDD
----	----	----	-----	------



82-79 JOHN DEERE Tractors - Lawn  
KOHLER Engines


## 2-2246 (5774N)

UT	12	9T	CCW	PMDD
----	----	----	-----	------



00-87 CUB CADET Tractors - Garden  
90-85 TORO Mowers - Fairway  
87-86 TORO Mowers - Zero Turn

ELEC SYS.	POWER OUTPUT	VOLTS	PULLEY/ DRIVE	ROTATION	UNIT DESIGN
<b>2-2247</b> (5752N)					
TC		12	16T	CCW	



83-71 JOHN DEERE Mowers - Riding  
74-66 JOHN DEERE Tractors - Lawn

<b>2-2249</b> (5715N)					
UT		12	10T	CCW	PMDD



01-96 EVINRUDE Engines - Marine Outboard  
01-96 JOHNSON Engines - Marine Outboard

<b>2-2250</b> (5737N)					
UT		12	8T	CCW	PMDD




00-93 MARINER Engines - Marine Outboard  
00-94 MERCURY Engines - Marine Outboard

<b>2-2251</b> (5726N)					
UT		12	10T	CCW	PMDD



01-94 MARINER Engines - Marine Outboard  
09-94 MERCURY Engines - Marine Outboard

ELEC SYS.	POWER OUTPUT	VOLTS	PULLEY/ DRIVE	ROTATION	UNIT DESIGN
<b>2-2252</b> (5764N)					
UT		12	9T	CCW	PMDD



01-99 MARINER Engines - Marine Outboard  
09-99 MERCURY Engines - Marine Outboard

<b>2-2253</b> (5769N)					
UT		12	9T	CCW	PMDD



01-98 MARINER Engines - Marine Outboard  
05-98 MERCURY Engines - Marine Outboard  
08-98 YAMAHA Outboard Motors

<b>2-2254</b> (5772N)					
UT		12	9T	CCW	PMDD



99-97 MARINER Engines - Marine Outboard  
99-98 MERCURY Engines - Marine Outboard

<b>2-2255</b> (5711N)					
UT		12	10T	CCW	PMDD



01-94 EVINRUDE Engines - Marine Outboard  
01-95 JOHNSON Engines - Marine Outboard

◆ See Buyer's Guide for Optional Units

# TECHNICAL REFERENCE GUIDE

ELEC SYS.	POWER OUTPUT	VOLTS	PULLEY/ DRIVE	ROTATION	UNIT DESIGN
-----------	--------------	-------	---------------	----------	-------------

**2-2256 (5710N)**

UT	12	10T	CCW	PMDD
----	----	-----	-----	------



97-80 EVINRUDE Engines - Marine Outboard  
 93-80 JOHNSON Engines - Marine Outboard

**2-2257 (5720N)**

UT	12			PMDD
----	----	--	--	------



01-95 EVINRUDE Engines - Marine Outboard  
 06-95 JOHNSON Engines - Marine Outboard

**2-2263-ND (17615N)**

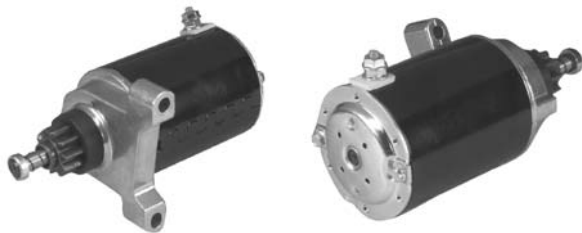
ND	3.0kW 12	10T	CW	OSGR
----	----------	-----	----	------



91-On CATERPILLAR Engines - Marine

**2-2266 (5747N)**

TC	12	10T	CCW	
----	----	-----	-----	--



**2-2267 (5897N)**

TC	120	9T	CCW	
----	-----	----	-----	--



Includes extension cord to plug into 110 Volt standard outlet

ELEC SYS.	POWER OUTPUT	VOLTS	PULLEY/ DRIVE	ROTATION	UNIT DESIGN
-----------	--------------	-------	---------------	----------	-------------

**2-2268 (5899N)**

TC	120	16T	CCW	
----	-----	-----	-----	--



Includes extension cord to plug into 110 Volt standard outlet

**2-2272 (18313N)**

HI	12	9T	CCW	DD
----	----	----	-----	----



Complete w/ solenoid & harness

85-78 MARINER Engines - Marine Outboard  
 83-80 SUZUKI Engines - Marine Outboard  
 95-91 YAMAHA Outboard Motors

**2-2273 (18431N)**

MT	12			PMDD
----	----	--	--	------



07-02 HONDA Personal Watercraft (PWC)

**2-2274 (18445N)**

ND	12			PMDD
----	----	--	--	------



05-99 KAWASAKI Personal Watercraft (PWC)

ELEC SYS.	POWER OUTPUT	VOLTS	PULLEY/ DRIVE	ROTATION	UNIT DESIGN
<b>2-2275</b>					
MT		12		CW	PMDD



3-bolt D.E. - will not work on GL1200 applications w/ 2-bolt D.E.

87-85 HONDA Motorcycles

<b>2-2276-ND</b>					
ND	4.0kW	12	10T	CW	DD



97-86 MERCURISER Diesel Engines

<b>2-2283-BO</b>					
BO	4.0kW	24	9T	CW	DD



83-73 AIFO Engines - Marine

<b>2-2284-BO</b>					
BO	4.0kW	24	9T	CW	DD



81-71 AIFO Engines - Marine

<b>2-2290-LU</b>					
LU	2.8kW	12	10T	CW	M50, M127



91-76 NEW HOLLAND Mowers

ELEC SYS.	POWER OUTPUT	VOLTS	PULLEY/ DRIVE	ROTATION	UNIT DESIGN
<b>2-2294-VA</b>					
VA	2.5kW	12	10T	CW	PMGR



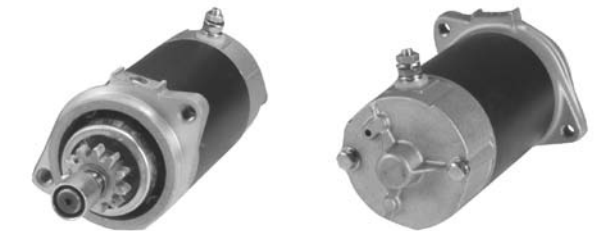
04-94 JOHN DEERE Skid Steer Loaders

<b>2-2301-LU</b>					
LU	2.1kW	12	10T	CW	M45G, 2M113



73-On PERKINS Engines - Marine  
PERKINS Inboard & Stern Drive

<b>2-2309-HI</b>					
HI		12	11T	CCW	PMDD



90-80 MARINER Engines - Marine Outboard  
90-87 MERCURY Engines - Marine Outboard  
97-84 YAMAHA Outboard Motors

<b>2-2310-HI</b>					
HI		12	9T	CCW	DD



08-84 YAMAHA Outboard Motors

◆ See Buyer's Guide for Optional Units

# TECHNICAL REFERENCE GUIDE

ELEC SYS.	POWER OUTPUT	PULLEY/ DRIVE	ROTATION	UNIT DESIGN
-----------	--------------	---------------	----------	-------------

## 2-2312-HI (18316N)

HI	12	9T		DD
----	----	----	--	----



00-88 SUZUKI Engines - Marine Outboard

## 2-2313-HI (18323N)

HI	12	9T	CCW	DD
----	----	----	-----	----



06-92 NISSAN Engines - Marine Outboard  
06-92 TOHATSU Engines - Marine Outboard

## 2-2314-HI (18307N)

HI	12	9T	CCW	DD
----	----	----	-----	----



01-85 SUZUKI Engines - Marine Outboard

## 2-2315-HI (18308N)

HI	12	8T		DD
----	----	----	--	----



03-86 SUZUKI Engines - Marine Outboard

## 2-2316-HI (18317N)

HI	12	9T	CW	DD
----	----	----	----	----



06-95 HONDA Engines - Marine Outboard

ELEC SYS.	POWER OUTPUT	PULLEY/ DRIVE	ROTATION	UNIT DESIGN
-----------	--------------	---------------	----------	-------------

## 2-2317-HI (17331N)

HI	1.8kW	12	9T	CW	DD
----	-------	----	----	----	----



82-73 FORD Tractors - Compact  
82-73 NEW HOLLAND Tractors - Compact

## 2-2322-DR-2 (6788N)

DR	1.6kW	12	11T	CW	PG260L
----	-------	----	-----	----	--------



Also replaces Delco PG260M Starters: 9000820, 822, 850 (WAI 2-1760-DR-2, Lester 6563)

## 2-2322-DR-3 (6788NB)

DR	1.6kW	12	11T	CW	PG260L
----	-------	----	-----	----	--------



Black epoxy paint  
Also replaces Delco PG260M Starters: 9000820, 822, 850 (WAI 2-1760-DR-2, Lester 6563)

## 2-2323-DR-2 (6562N-L)

DR	1.6kW	12	11T	CW	PG260L
----	-------	----	-----	----	--------



Also replaces Delco PG260M Starters: 9000819, 821 (WAI 2-1691-DR-2, Lester 6560, 6562)

ELEC SYS.	POWER OUTPUT	VOLTS	PULLEY/ DRIVE	ROTATION	UNIT DESIGN
<b>2-2323-DR-3 (6562NC-L)</b>					
DR	1.6kW	12	11T	CW	PG260L



Chrome finish  
Also replaces Delco PG260M Starters: 9000819, 821 (WAI 2-1691-DR-2, Lester 6560, 6562)

<b>2-2324 (18756N)</b>					
ND	12	9-SPL	CCW	PMDD	



08-87 BMS MOTOR SPORTS All-Terrain Vehicle (ATV)  
YAMAHA All-Terrain Vehicle (ATV)

<b>2-2325-BO (17093N)</b>					
BO	2.7kW	12	9T	CW	DD



83-72 ALFO Engines - Marine  
04-99 NEW HOLLAND Tractors - Utility

<b>2-2339 (5754N)</b>					
TC	12	10T	CCW		



<b>2-2340-LU (17652N)</b>					
LU	2.8kW	12	10T	CW	M50, M127



ELEC SYS.	POWER OUTPUT	VOLTS	PULLEY/ DRIVE	ROTATION	UNIT DESIGN
<b>2-2361-DR (6793N)</b>					
DR	1.6kW	12	9T	CCW	Replacement



PMGR replacement w/ terminal extension stud.  
Also retrofits older Delco 10MT, 14MT, SD300 direct drive starters: WAI 2-2752-DR-2, 2-2905-DR; Lester 4298, 4304, 6616

97-On MERCUISER Hi-Performance Engines  
97-On MERCUISER Inboard Engines  
01-On MERCUISER Stern Drives  
07-00 VOLVO PENTA Inboard & Sterndrive

<b>2-2361-DR-2 (6793N-L)</b>					
DR	1.6kW	12	9T	CCW	PG260L



Also retrofits older Delco 10MT, 14MT, SD300 direct drive starters: WAI 2-2752-DR-2, 2-2905-DR; Lester 4298, 4304, 6616

97-On MERCUISER Hi-Performance Engines  
97-On MERCUISER Inboard Engines  
01-On MERCUISER Stern Drives  
07-00 VOLVO PENTA Inboard & Sterndrive

<b>2-2362-BO (18369N)</b>					
BO	1.8kW	12	9T	CCW	PMGR



JOHN DEERE Tractors - Specialty

<b>2-2398-UT (5759N)</b>					
UT	12	13T	CCW	PMDD	



89-74 CUB CADET Tractors - Garden

# TECHNICAL REFERENCE GUIDE

ELEC SYS.	POWER OUTPUT	PULLEY/ DRIVE	ROTATION	UNIT DESIGN
-----------	--------------	---------------	----------	-------------

## 2-2405 (5930N)

BS	12	16T	CCW	PMDD
----	----	-----	-----	------



BRIGGS & STRATTON Engines

## 2-2407 (5776N)

BS	12	15T	CCW	PMDD
----	----	-----	-----	------



02 ARCTIC CAT Utility Vehicle (UTV)  
 04-03 CUB CADET Tractors - Compact  
 GENERAC Generator Sets  
 JOHN DEERE Tractors - Lawn  
 JOHN DEERE Utility Vehicle (UTV)  
 99-98 TORO Misc. Equipment  
 09-92 TORO Mowers - Greens  
 09-94 TORO Sports Field Equipment  
 08-02 TORO Utility Vehicle (UTV)

## 2-2408 (18796N)

MT	12	9-SPL	CW	PMDD
----	----	-------	----	------



09-98 ARCTIC CAT All-Terrain Vehicle (ATV)  
 07-06 ARCTIC CAT Utility Vehicle (UTV)  
 07-98 SUZUKI All-Terrain Vehicle (ATV)  
 99-98 SUZUKI Motorcycles

## 2-2413-UT-2 (5736N)

UT	12	8T	CCW	PMDD
----	----	----	-----	------



01-88 MARINER Engines - Marine Outboard  
 09-88 MERCURY Engines - Marine Outboard

ELEC SYS.	POWER OUTPUT	PULLEY/ DRIVE	ROTATION	UNIT DESIGN
-----------	--------------	---------------	----------	-------------

## 2-2417-MT-2 (18719N)

MT	12	9-SPL	CCW	PMDD
----	----	-------	-----	------



08-02 KAWASAKI All-Terrain Vehicle (ATV)  
 05-04 SUZUKI All-Terrain Vehicle (ATV)

## 2-2425-MT-2 (18701N)

MT	12	13-SPL	CCW	PMDD
----	----	--------	-----	------



04-86 KAWASAKI All-Terrain Vehicle (ATV)

## 2-2432-UT (5951)

UT	12	10T	CCW	PMDD
----	----	-----	-----	------



06-02 CUB CADET Mowers - Professional  
 01 CUB CADET Mowers - Riding  
 06-02 CUB CADET Mowers - Wide Area  
 06-03 CUB CADET Mowers - Zero Turn  
 KAWASAKI Small Engines  
 NEW HOLLAND Mowers - Zero Turn  
 04-On NEW HOLLAND Tractors - Lawn  
 09 TORO Mowers - Walk Behind  
 09-99 TORO Mowers - Zero Turn  
 08-03 TORO Tractors - Lawn

## 2-2443-MT-2 (18716N)

MT	12	9-SPL	CCW	PMDD
----	----	-------	-----	------

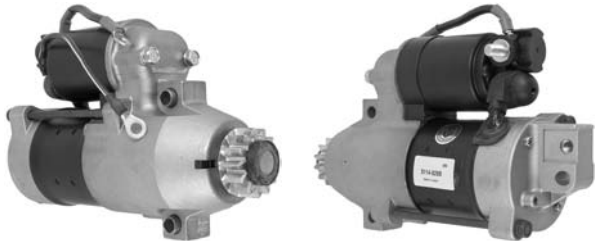


09-88 KAWASAKI All-Terrain Vehicle (ATV)

ELEC SYS.	POWER OUTPUT	VOLTS	PULLEY/ DRIVE	ROTATION	UNIT DESIGN
<b>2-2450-UT-2 (5797N)</b>					
UT		12	10T	CCW	PMDD



<b>2-2451-HI-2 (18347N)</b>					
HI		12	13T	CCW	PMGR



01-00 MARINER Engines - Marine Outboard  
 05-00 MERCURY Engines - Marine Outboard  
 04-99 YAMAHA Outboard Motors

<b>2-2452-HI-2 (18301N)</b>					
HI		12	10T	CCW	PMDD



06-92 NISSAN Engines - Marine Outboard  
 06-92 TOHATSU Engines - Marine Outboard  
 97-84 YAMAHA Outboard Motors

<b>2-2471-DR (6516N)</b>					
DR		12	12T	CW	42MT



97-85 CATERPILLAR Engines - Marine

ELEC SYS.	POWER OUTPUT	VOLTS	PULLEY/ DRIVE	ROTATION	UNIT DESIGN
<b>2-2498 (18642N)</b>					
PO		12	10-SPL	CCW	PMDD



ETON All-Terrain Vehicle (ATV)  
 ETON Scooters  
 06-01 POLARIS All-Terrain Vehicle (ATV)

<b>2-2500 (18755N)</b>					
MT		12	9-SPL	CCW	PMDD



08-89 YAMAHA All-Terrain Vehicle (ATV)

<b>2-2501 (18433N)</b>					
MT		12		CCW	PMDD



08-02 YAMAHA Personal Watercraft (PWC)  
 05-03 YAMAHA Sportboats

<b>2-2502 (18645N)</b>					
MT		12	9-SPL	CW	PMDD



09-95 POLARIS All-Terrain Vehicle (ATV)  
 09-96 POLARIS Utility Vehicle (UTV)

◆ See Buyer's Guide for Optional Units



# TECHNICAL REFERENCE GUIDE

ELEC SYS.	POWER OUTPUT	VOLTS	PULLEY/ DRIVE	ROTATION	UNIT DESIGN
-----------	--------------	-------	---------------	----------	-------------

## 2-2505-HI (18345N)

HI	12	9T	CCW	PMDD
----	----	----	-----	------



88-84 YAMAHA Outboard Motors

## 2-2506-HI (18351N)

HI	12	9T	CCW	PMDD
----	----	----	-----	------



05-87 YAMAHA Outboard Motors

## 2-2509 (18648N)

MT	12	9-SPL	CW	PMDD
----	----	-------	----	------



09-02 POLARIS All-Terrain Vehicle (ATV)  
 05-03 POLARIS Snowmobiles  
 09-05 POLARIS Utility Vehicle (UTV)

## 2-2516-HI (18346N)

HI	12	11T	CCW	PMDD
----	----	-----	-----	------



08-85 YAMAHA Outboard Motors

## 2-2517-HI (18344N)

HI	12	9T	CCW	DD
----	----	----	-----	----



08-84 YAMAHA Outboard Motors

ELEC SYS.	POWER OUTPUT	VOLTS	PULLEY/ DRIVE	ROTATION	UNIT DESIGN
-----------	--------------	-------	---------------	----------	-------------

## 2-2518-HI (18315N)

HI	12	9T	CCW	PMDD
----	----	----	-----	------



08-97 YAMAHA Outboard Motors

## 2-2519-HI (18348N)

HI	12	13T	CCW	PMGR
----	----	-----	-----	------



08-00 YAMAHA Outboard Motors

## 2-2530 (18750N)

MT	12	9-SPL	CW	PMDD
----	----	-------	----	------



00-85 YAMAHA Motorcycles

## 2-2531 (18758N)

ND	12	9-SPL	CW	PMDD
----	----	-------	----	------



08-95 YAMAHA All-Terrain Vehicle (ATV)

## 2-2532 (18759N)

MT	12	9-SPL	CCW	PMDD
----	----	-------	-----	------



08-98 YAMAHA All-Terrain Vehicle (ATV)  
 08-04 YAMAHA Utility Vehicle (UTV)

ELEC SYS.	POWER OUTPUT	VOLTS	PULLEY/ DRIVE	ROTATION	UNIT DESIGN
<b>2-2534 (18760N)</b>					
MT		12	12T	CW	PMDD



05-01 YAMAHA All-Terrain Vehicle (ATV)

<b>2-2538 (18734N)</b>					
MT		12	9-SPL	CW	PMDD



93-84 YAMAHA Motorcycles

<b>2-2543-MT-2 (18638N)</b>					
MT		12	10-SPL	CCW	PMDD



09-02 HONDA All-Terrain Vehicle (ATV)

<b>2-2569-MI (18395N)</b>					
MI	1.7kW	12	9T	CW	PMGR



04-On CASE Tractors - Compact  
 02-76 FORD Tractors - Compact  
 86-83 NEW HOLLAND Loaders - Compact  
 00-On NEW HOLLAND Mowers - Front  
 76-On NEW HOLLAND Tractors - Compact

ELEC SYS.	POWER OUTPUT	VOLTS	PULLEY/ DRIVE	ROTATION	UNIT DESIGN
<b>2-2580-DR (6794N)</b>					
DR		12	14T	CCW	PMGR



01 MARINER Engines - Marine Outboard  
 09-00 MERCURY Engines - Marine Outboard

<b>2-2591-DR-2 (6440N-PG)</b>					
DR		12	9T	CW	Replacement



PMGR replacement w/ terminal extension stud.  
 Retrofits older Delco 10MT, 14MT, SD300 direct drive starters: Lester 4297, 6420, 6440, 6615

95-61 CRUSADER Inboard & Sterndrive  
 96-73 MERCUISER Inboard Engines  
 87-85 MERCUISER Ski Engines  
 89-83 MERCUISER Stern Drives  
 81-78 OMC Engines - Marine  
 95-76 PLEASURECRAFT Inboard & Sterndrive  
 88-70 THERMO ELECTRON Engines - Marine  
 87-83 WESTERBEKE Generator Sets

<b>2-2592-DR (6615N)</b>					
DR		12	9T	CW	14MT



Also retrofits older 10MT, SD300 marine starters: WAI 2-2591-DR; Lester 4297, 6420, 6440)

04-96 CRUSADER Inboard & Sterndrive  
 98-67 MERCUISER Inboard Engines  
 72-68 MERCUISER Stern Drives

<b>2-2622-BO (18375N)</b>					
BO	6.6kW	24	9T	CW	DD



70-On RENAULT COUACH Inboard & Sterndrive

◆ See Buyer's Guide for Optional Units

# TECHNICAL REFERENCE GUIDE

ELEC SYS.	POWER OUTPUT	VOLTS	PULLEY/ DRIVE	ROTATION	UNIT DESIGN
-----------	--------------	-------	---------------	----------	-------------

## 2-2641-ND (18350N)

ND	0.6kW	12	14T	CCW	PMDD
----	-------	----	-----	-----	------



HONDA Small Engines

## 2-2642-UT (5701N)

UT	12	10T	CCW	PMDD
----	----	-----	-----	------



86-79 CUB CADET Tractors - Garden  
 90-84 JOHN DEERE Mowers - Front  
 92-83 JOHN DEERE Tractors - Lawn  
 99-84 NEW HOLLAND Skid Steer Loaders  
 79-On ONAN Engines  
 86 TORO Mowers - Fairway

## 2-2643-ND (18010N)

ND	12	9T	CCW	PMDD
----	----	----	-----	------



02-00 CUB CADET Mowers - Riding  
 99-97 CUB CADET Mowers - Zero Turn  
 91-On JOHN DEERE Mowers - Front  
 JOHN DEERE Mowers - Greens  
 91-On JOHN DEERE Tractors - Farm  
 88-On JOHN DEERE Tractors - Lawn  
 KAWASAKI Small Engines

## 2-2644-ND (18011N)

ND	0.7kW	12	9T	CCW	DD
----	-------	----	----	-----	----

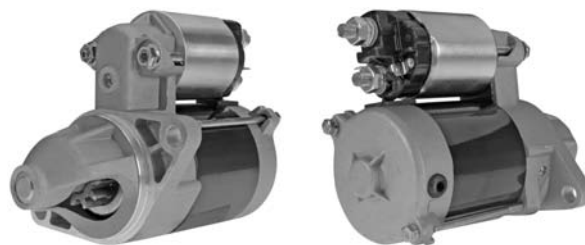


JOHN DEERE Misc. Lawn Equipment (By Engines)  
 96-87 JOHN DEERE Mowers - Riding  
 JOHN DEERE Mowers - Walk Behind  
 88-85 JOHN DEERE Tractors - Lawn  
 KAWASAKI Small Engines  
 91-87 TORO Tractors - Lawn

ELEC SYS.	POWER OUTPUT	VOLTS	PULLEY/ DRIVE	ROTATION	UNIT DESIGN
-----------	--------------	-------	---------------	----------	-------------

## 2-2646-ND (18012N)

ND	0.6kW	12	9T	CCW	DD
----	-------	----	----	-----	----



01-98 CUB CADET Tractors - Compact  
 97-96 CUB CADET Tractors - Garden  
 CUB CADET Tractors - Lawn  
 91-On JOHN DEERE Mowers - Front  
 JOHN DEERE Mowers - Greens  
 JOHN DEERE Mowers - Professional  
 93-On JOHN DEERE Tractors - Lawn  
 JOHN DEERE Utility Vehicle (UTV)  
 KAWASAKI Small Engines  
 00-97 NEW HOLLAND Tractors - Garden  
 01-99 TORO Mowers - Zero Turn

## 2-2648-ND (18009N)

ND	0.6kW	12	9T	CCW	DD
----	-------	----	----	-----	----



JOHN DEERE Misc. Lawn Equipment (By Engines)  
 90-On JOHN DEERE Mowers - Front  
 JOHN DEERE Mowers - Walk Behind  
 91-On JOHN DEERE Tractors - Farm  
 03-87 JOHN DEERE Tractors - Lawn  
 KAWASAKI Small Engines  
 95-On KUBOTA Tractors - Lawn

## 2-2650-PL (5681R)

PL	24	10T	CCW	DD
----	----	-----	-----	----



86-78 ONAN Engines

## 2-2656-ND (18419N)

ND	1.4kW	12	9T	CW	OSGR
----	-------	----	----	----	------



95-On KUBOTA Excavators

ELEC SYS.	POWER OUTPUT	VOLTS	PULLEY/ DRIVE	ROTATION	UNIT DESIGN
-----------	--------------	-------	---------------	----------	-------------

### 2-2656-ND - continued

03-01 KUBOTA Tractors - Sub Compact  
KUBOTA Utility Vehicle (UTV)

### 2-2658-ND (18400N)

ND 1.2kW 12 9T CW OSGR



GRAVELY Tractors - Lawn

### 2-2660-ND (18142N)

ND 1.4kW 12 11T CW OSGR



92-On KUBOTA Misc. Equipment  
06-95 KUBOTA Tractors - Utility

### 2-2663-UT (5918N)

UT 12 10T CCW PMDD



HONDA Small Engines

### 2-2664-MI (19603N)

MI 1.4kW 12 13T CW PMGR



06-99 HONDA Engines - Marine Outboard

ELEC SYS.	POWER OUTPUT	VOLTS	PULLEY/ DRIVE	ROTATION	UNIT DESIGN
-----------	--------------	-------	---------------	----------	-------------

### 2-2665-MI (19602N)

MI 1.2kW 12 13T CW PMGR



06-97 HONDA Engines - Marine Outboard

### 2-2667-ND (18450N)

ND 0.6kW 12 9T CW DD



05-03 CUB CADET Utility Vehicle (UTV)  
KAWASAKI Utility Vehicle (UTV)

### 2-2668-MI (17312N)

MI 0.8kW 12 9T CCW DD



92-83 JOHN DEERE Tractors - Lawn  
99-84 NEW HOLLAND Skid Steer Loaders  
88-On ONAN Engines  
90-88 TORO Mowers - Zero Turn  
91-88 TORO Tractors - Lawn

### 2-2688-ND (18513N)

ND 0.5kW 12 14T CCW PMGR



Both mounting holes are threaded M8 x 1.25.  
Includes solenoid

08-04 HONDA Small Engines  
TORO Loaders - Compact

◆ See Buyer's Guide for Optional Units

# TECHNICAL REFERENCE GUIDE

ELEC SYS.	POWER OUTPUT	VOLTS	PULLEY/ DRIVE	ROTATION	UNIT DESIGN
-----------	--------------	-------	---------------	----------	-------------

## 2-2705-ND-2 (16657N)

ND	1.4kW	12	15T	CW	OSGR
----	-------	----	-----	----	------



98-94 JOHN DEERE Skid Steer Loaders  
96-78 JOHN DEERE Tractors - Utility

## 2-2709-ND-2 (17292N)

ND	2.5kW	12	11T	CW	OSGR
----	-------	----	-----	----	------



97-90 HINO Inboard & Stern Drive  
97-90 MERCURISER Diesel Engines

## 2-2726-ND-2 (18018N)

ND	4.0kW	12	11T	CW	OSGR
----	-------	----	-----	----	------



07-04 JOHN DEERE Engines - Marine

## 2-2727-ND-2 (18048N)

ND	12	9T	CCW	DD
----	----	----	-----	----

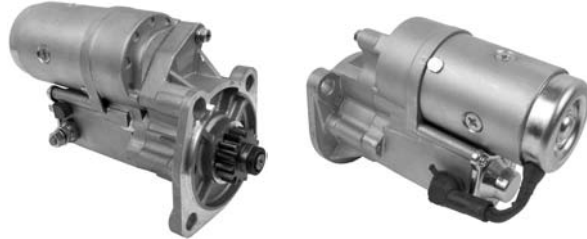


90-On JOHN DEERE Misc. Lawn Equipment (By Engines)  
90-On JOHN DEERE Mowers - Front  
90-On JOHN DEERE Mowers - Walk Behind  
86-On JOHN DEERE Tractors - Lawn  
95-92 KAWASAKI Small Engines  
95-92 KUBOTA Tractors - Lawn

ELEC SYS.	POWER OUTPUT	VOLTS	PULLEY/ DRIVE	ROTATION	UNIT DESIGN
-----------	--------------	-------	---------------	----------	-------------

## 2-2728-HI-2 (18051N)

HI	2.0kW	12	15T	CW	Replacement
----	-------	----	-----	----	-------------



Nippondenso OSGR replacement

96-88 JOHN DEERE Mowers - Turf  
85-On MUSTANG Skid Steer Loaders  
85-On YANMAR Engines - Industrial

## 2-2732-ND-2 (18139N)

ND	2.0kW	12	11T	CW	OSGR
----	-------	----	-----	----	------



04-On CASE Tractors - Compact  
02-93 FORD Tractors - Compact  
00-On NEW HOLLAND Mowers - Front  
94-On NEW HOLLAND Skid Steer Loaders  
93-On NEW HOLLAND Tractors - Compact

## 2-2733-ND-2 (18141N)

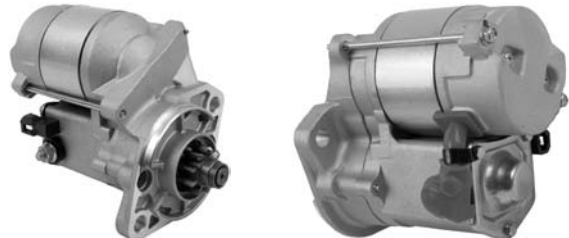
ND	1.4kW	12	11T	CW	OSGR
----	-------	----	-----	----	------



92-On KUBOTA Misc. Equipment

## 2-2734-ND-2 (18145N)

ND	1.2kW	12	9T	CW	OSGR
----	-------	----	----	----	------

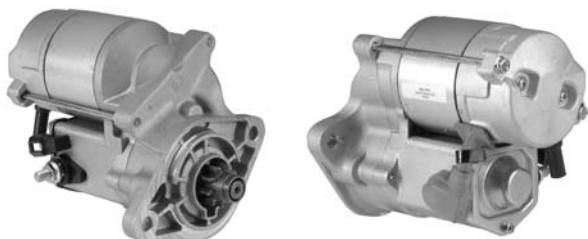


85-On KUBOTA Generator Sets  
85-On KUBOTA Tractors - Compact

ELEC SYS.	POWER OUTPUT	VOLTS	PULLEY/ DRIVE	ROTATION	UNIT DESIGN
-----------	--------------	-------	---------------	----------	-------------

**2-2735-ND-2 (18148N)**

ND	1.4kW	12		CW	OSGR
----	-------	----	--	----	------



92-On KUBOTA Misc. Equipment

**2-2738-HI-2 (18318N)**

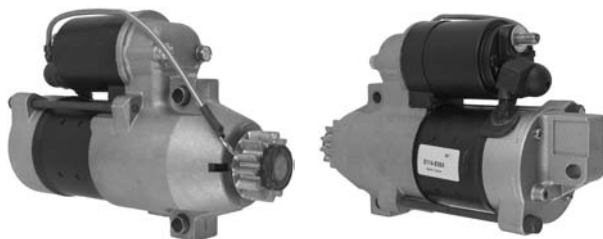
HI	0.8kW	12	9T	CW	DD
----	-------	----	----	----	----



87-On JOHN DEERE Mowers - Front  
86-On YANMAR Tractors

**2-2739-HI-2 (18349N)**

HI	12	13T	CCW	PMGR
----	----	-----	-----	------



09-01 MERCURY Engines - Marine Outboard  
08-00 YAMAHA Outboard Motors

**2-2740-ND-2 (18403N)**

ND	0.6kW	12	9T	CCW	PMDD
----	-------	----	----	-----	------



JOHN DEERE Misc. Lawn Equipment (By Engines)  
96-87 JOHN DEERE Mowers - Riding  
88-86 JOHN DEERE Tractors - Lawn  
KAWASAKI Small Engines  
88 TORO Tractors - Lawn

ELEC SYS.	POWER OUTPUT	VOLTS	PULLEY/ DRIVE	ROTATION	UNIT DESIGN
-----------	--------------	-------	---------------	----------	-------------

**2-2741-ND-2 (18511N)**

ND		12	9T	CCW	DD
----	--	----	----	-----	----



KAWASAKI Utility Vehicle (UTV)

**2-2742-MT-2 (18524N)**

MT	12	17T	CCW	PMDD
----	----	-----	-----	------



HONDA Small Engines

**2-2743-ND-2 (18533N)**

ND	12	9T	CCW	PMDD
----	----	----	-----	------



JOHN DEERE Utility Vehicle (UTV)  
KAWASAKI Utility Vehicle (UTV)

**2-2744-ND-2 (18549N)**

ND	12	9T	CCW	DD
----	----	----	-----	----



JOHN DEERE Mowers - Z-Trak  
JOHN DEERE Tractors - Lawn  
JOHN DEERE Utility Vehicle (UTV)  
KAWASAKI Small Engines

# TECHNICAL REFERENCE GUIDE

ELEC SYS.	POWER OUTPUT	PULLEY/ DRIVE	ROTATION	UNIT DESIGN
-----------	--------------	---------------	----------	-------------

## 2-2745-MT-2 (18604N)

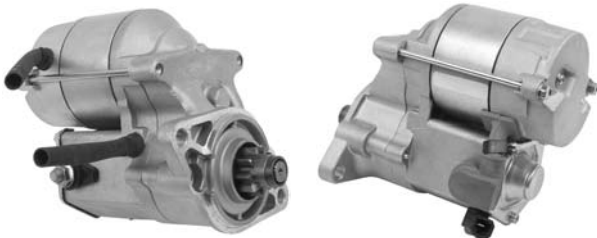
MT	12	17T	CCW	PMDD
----	----	-----	-----	------



85 HONDA All-Terrain Vehicle (ATV)

## 2-2746-ND-2 (18629N)

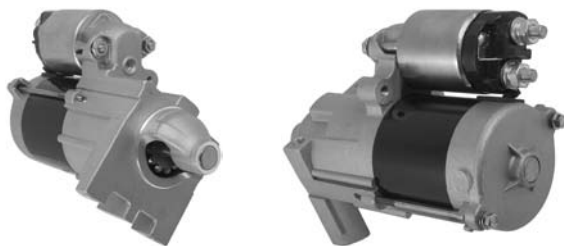
ND	12	9T		OSGR
----	----	----	--	------



KAWASAKI Utility Vehicle (UTV)

## 2-2747-ND-2 (18985N)

ND	12	12T	CCW	DD
----	----	-----	-----	----



04-02 CUB CADET Utility Vehicle (UTV)  
HONDA Small Engines

## 2-2750-FD-2 (3200N)

FD	12	10T	CW	PMGR
----	----	-----	----	------



96-92 OMC Engines - Marine  
99-93 VOLVO PENTA Inboard & Sterndrive

## 2-2751-FD-2 (3183N)

FD	12	9T	CW	DD
----	----	----	----	----



CRUSADER Inboard & Sterndrive

ELEC SYS.	POWER OUTPUT	PULLEY/ DRIVE	ROTATION	UNIT DESIGN
-----------	--------------	---------------	----------	-------------

## 2-2751-FD-2 - continued

90-87 FORD Engines - Marine  
OMC Engines - Marine

## 2-2752-DR-2 (6616N)

DR	12	9T	CCW	14MT
----	----	----	-----	------



Also retrofits older Delco 10MT, SD300 direct drive starters: Lester 4298, 4304

04-61 CRUSADER Inboard & Sterndrive  
85-On MERCUISER Hi-Performance Engines  
67-On MERCUISER Inboard Engines  
87-85 MERCUISER Ski Engines  
68-On MERCUISER Stern Drives  
88-78 OMC Engines - Marine  
95-76 PLEASURECRAFT Inboard & Sterndrive  
88-70 THERMO ELECTRON Engines - Marine  
07-00 VOLVO PENTA Inboard & Sterndrive

## 2-2755-2 (5773N)

UT	12	8T	CCW	PMDD
----	----	----	-----	------



01-97 MERCURY Engines - Marine Outboard

## 2-2756-UT-2 (5775N)

UT	12	10T	CCW	PMDD
----	----	-----	-----	------



89-On JOHN DEERE Tractors - Lawn  
01-00 SCOTT'S Tractors - Lawn

## 2-2759-MT-2 (18627N)

MT	12		CW	PMDD
----	----	--	----	------

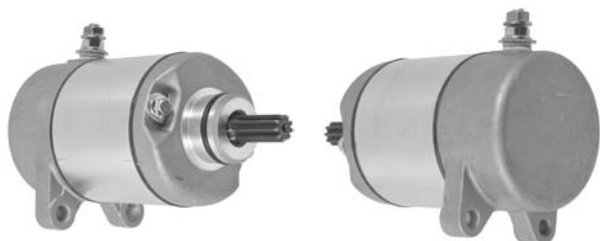


84 HONDA Motorcycles

ELEC SYS.	POWER OUTPUT	VOLTS	PULLEY/ DRIVE	ROTATION	UNIT DESIGN
<b>2-2760-ND-2 (18504N)</b>					
ND	0.6kW	12	9T	CCW	PMGR



<b>2-2764-MT-2 (18607N)</b>					
MT		12	9-SPL	CCW	PMDD



06-00 HONDA All-Terrain Vehicle (ATV)

<b>2-2765-MT-2 (18808N)</b>					
MT		12	10-SPL	CCW	PMDD



08-85 SUZUKI All-Terrain Vehicle (ATV)

<b>2-2766-MT-2 (18807N)</b>					
MT		12	10-SPL	CCW	PMDD



05-98 ARCTIC CAT All-Terrain Vehicle (ATV)  
02-87 SUZUKI All-Terrain Vehicle (ATV)

<b>2-2767-ND-2 (18794N)</b>					
ND		12	9-SPL	CCW	PMDD



89-85 SUZUKI All-Terrain Vehicle (ATV)  
08-82 SUZUKI Motorcycles

ELEC SYS.	POWER OUTPUT	VOLTS	PULLEY/ DRIVE	ROTATION	UNIT DESIGN
<b>2-2768-1 (18330N-P)</b>					
MT		12	9-SPL	CW	PMDD



00-92 POLARIS Personal Watercraft (PWC)

<b>2-2768-2 (18330N-PL)</b>					
MT		12	9-SPL	CW	PMDD



Late OE Design w/ extended battery terminal

04-96 POLARIS Personal Watercraft (PWC)

<b>2-2769-ND-2 (18531N)</b>					
ND		12	8T	CCW	PMDD



05-99 ROTAX MARINE - BRP Engines  
05-99 SEA-DOO Personal Watercraft (PWC)

<b>2-2782-DR-2 (6759N)</b>					
DR		12	8T	CCW	SD80

*Photo Not Available.*

06-03 CUB CADET Mowers - Professional GENERAC Engines

<b>2-2782-VA-2 (6759N-VA)</b>					
VA		12	12T	CCW	Replacement



Valeo PMDD replacement

06-03 CUB CADET Mowers - Professional GENERAC Engines

◆ See Buyer's Guide for Optional Units



# TECHNICAL REFERENCE GUIDE

ELEC SYS.	POWER OUTPUT	PULLEY/ DRIVE	ROTATION	UNIT DESIGN
-----------	--------------	---------------	----------	-------------

## 2-2783-UT-2 (5762N)

UT	12		CCW	PMDD
----	----	--	-----	------



06-97 EVINRUDE Engines - Marine Outboard  
06-97 JOHNSON Engines - Marine Outboard

## 2-2787-MT-2 (5919N)

UT	12	24T	CCW	PMDD
----	----	-----	-----	------



ONAN Engines

## 2-2788-UT-2 (5763N)

UT	12	9T	CCW	PMDD
----	----	----	-----	------



01-98 MARINER Engines - Marine Outboard  
09-98 MERCURY Engines - Marine Outboard

## 2-2789-UT-2 (5278N)

PL	12	9T	CCW	DD
----	----	----	-----	----



88-60 EVINRUDE Engines - Marine Outboard  
88-70 JOHNSON Engines - Marine Outboard

ELEC SYS.	POWER OUTPUT	PULLEY/ DRIVE	ROTATION	UNIT DESIGN
-----------	--------------	---------------	----------	-------------

## 2-2790-MT-2 (18532N)

MT	12			PMDD
----	----	--	--	------



07-02 ROTAX MARINE - BRP Engines  
08-02 SEA-DOO Personal Watercraft (PWC)  
08-03 SEA-DOO Sportboats

## 2-2791-MT-2 (18610N)

MT	12	10-SPL	CCW	PMDD
----	----	--------	-----	------



03-01 HONDA All-Terrain Vehicle (ATV)

## 2-2796-2 (5909N)

UT	12	9T	CCW	PMDD
----	----	----	-----	------



09-04 EVINRUDE Engines - Marine Outboard

## 2-2797-2 (5901N)

UT	12	9T	CCW	PMDD
----	----	----	-----	------



01 MARINER Engines - Marine Outboard  
09-01 MERCURY Engines - Marine Outboard

## 2-2798-MT-2 (18608N)

MT	12	9-SPL	CW	PMDD
----	----	-------	----	------



04-99 HONDA All-Terrain Vehicle (ATV)

ELEC SYS.	POWER OUTPUT	VOLTS	PULLEY/ DRIVE	ROTATION	UNIT DESIGN
<b>2-2799-MT-2 (18683N)</b>					
MT	12	10-SPL	CCW	PMDD	



07-04 BMS MOTOR SPORTS All-Terrain Vehicle (ATV)  
 BMS MOTOR SPORTS Utility Vehicle (UTV)  
 HONDA All-Terrain Vehicle (ATV)

<b>2-2800-2 (18753N)</b>					
MT	12	9-SPL	CCW	PMDD	



99-86 BMS MOTOR SPORTS All-Terrain Vehicle (ATV)  
 YAMAHA All-Terrain Vehicle (ATV)

### 2-2854

12 CW



<b>2-2855-UT (5796N)</b>					
UT	12	14T	CCW	PMDD	



09-07 NEW HOLLAND Mowers - Zero Turn  
 07-06 TORO Mowers - Zero Turn  
 TORO Tractors - Lawn

ELEC SYS.	POWER OUTPUT	VOLTS	PULLEY/ DRIVE	ROTATION	UNIT DESIGN
<b>2-2861-ND (18905N)</b>					
ND	1.4kW	12	10T		OSGR



Black finish

07 HARLEY DAVIDSON Motorcycles

<b>2-2861-ND-1 (18905NC)</b>					
ND	1.4kW	12	10T		OSGR



Chrome finish

<b>2-2880 (18861N)</b>					
PO	12		CCW		PMDD



05-99 VICTORY Motorcycles

<b>2-2889-ND (18413)</b>					
ND	1.1kW	12	9T	CW	PLGR



05-Bk KUBOTA Mowers - Turf

# TECHNICAL REFERENCE GUIDE

ELEC SYS.	POWER OUTPUT	VOLTS	PULLEY/ DRIVE	ROTATION	UNIT DESIGN
-----------	--------------	-------	---------------	----------	-------------

## 2-2893-VA (17315N)

VA	1.1kW	12	9T	CW	PMGR
----	-------	----	----	----	------



Also replaces: Hitachi S114-237, Volvo-Penta 834339-4, 834976-3, 840808-0, 859553-0 (Lester 16985) DD starters.

94-79 VOLVO PENTA Inboard & Sterndrive

## 2-2894-DR (6931N)

DR	1.6kW	12	11T	CW	PG260L
----	-------	----	-----	----	--------



07-03 PLEASURECRAFT Inboard & Sterndrive

## 2-2895-MT (18656N)

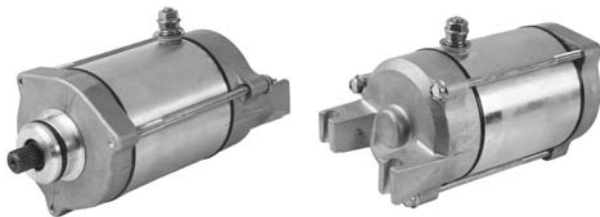
MT	12	10-SPL	CW	PMDD
----	----	--------	----	------



07-89 HONDA Motorcycles

## 2-2896-MT (18631N)

MT	12	22-SPL	CW	PMDD
----	----	--------	----	------



94-85 HONDA Motorcycles

## 2-2897-MT (18605N)

MT	12	9-SPL	CW	PMDD
----	----	-------	----	------



97-90 HONDA All-Terrain Vehicle (ATV)

ELEC SYS.	POWER OUTPUT	VOLTS	PULLEY/ DRIVE	ROTATION	UNIT DESIGN
-----------	--------------	-------	---------------	----------	-------------

## 2-2898-MT (18644N)

MT	12	9-SPL	CCW	PMDD
----	----	-------	-----	------



06-01 ETON All-Terrain Vehicle (ATV)  
POLARIS All-Terrain Vehicle (ATV)

## 2-2899-DR (3290N)

DR	12	11T	CCW	40MT
----	----	-----	-----	------



## 2-2900-FD (3182N)

FD	12	9T	CW	DD
----	----	----	----	----



77-70 CRUSADER Inboard & Sterndrive  
77-70 FORD Engines - Marine  
91-78 MERCUISER Stern Drives  
91-78 OMC Engines - Marine  
75-On PLEASURECRAFT Inboard & Sterndrive  
77-76 VOLVO PENTA Inboard & Sterndrive  
76-71 WAUKESHA Inboard & Sterndrive

## 2-2901-FD (3143N)

FD	12	9T	CCW	DD
----	----	----	-----	----



74-70 CRUSADER Inboard & Sterndrive  
74-70 FORD Engines - Marine  
92-78 MERCUISER Stern Drives  
92-78 OMC Engines - Marine  
75-On PLEASURECRAFT Inboard & Sterndrive  
77-76 VOLVO PENTA Inboard & Sterndrive  
76-71 WAUKESHA Inboard & Sterndrive

ELEC SYS.	POWER OUTPUT	VOLTS	PULLEY/ DRIVE	ROTATION	UNIT DESIGN
<b>2-2902-FD</b>					<b>(3159N)</b>
FD		12	9T	CW	DD



3/8-16 threaded top ear

CRUSADER Inboard & Sterndrive  
 FORD Engines - Marine  
 90-87 OMC Engines - Marine

<b>2-2903-FD</b>					<b>(3141N)</b>
FD		12	9T	CCW	DD



3/8-16 threaded top ear

CRUSADER Inboard & Sterndrive  
 FORD Engines - Marine  
 90-87 OMC Engines - Marine

<b>2-2904-FD</b>					<b>(3143N-PG)</b>
FD		12	9T	CCW	PMGR



PMGR replacement for Ford direct drive starters (Lester 3134, 3143).

CRUSADER Inboard & Sterndrive  
 FORD Engines - Marine  
 74-70 MERCUISER Stern Drives  
 92-78 OMC Engines - Marine  
 75-On PLEASURECRAFT Inboard & Sterndrive  
 77-76 VOLVO PENTA Inboard & Sterndrive  
 76-71 WAUKESHA Inboard & Sterndrive

ELEC SYS.	POWER OUTPUT	VOLTS	PULLEY/ DRIVE	ROTATION	UNIT DESIGN
<b>2-2906-CH</b>					<b>(3471N)</b>
DR		12	9T	CW	Replacement



SD300 replacement.  
 Fits Chrysler 318 Marine V8 Velvet Drive only.  
 Note - does not fit paragon design.

88-69 CHRYSLER Engines - Marine IB & Stern

<b>2-2907-CH</b>					<b>(5248N)</b>
DR		12	9T	CCW	Replacement



SD300 replacement.  
 Fits Chrysler 318 Marine V8 Velvet Drive only.  
 Note - does not fit paragon design.

71-60 ACADIA Inboard & Sterndrive  
 84-63 CHRYSLER Engines - Marine IB & Stern

<b>2-2908-DR</b>					<b>(4287N)</b>
DR		12	9T	CCW	SD300



69-60 CHRIS CRAFT Inboard & Sterndrive  
 63-59 FLAGSHIP Inboard & Sterndrive  
 63-59 OWENS YACHT Inboard & Sterndrive

<b>2-2909-DR</b>					<b>(6423N)</b>
DR		12	9T	CW	SD300



70-On BERKLEY JET Inboard & Sterndrive  
 95-77 CRUSADER Inboard & Sterndrive  
 96-90 MERCUISER Hi-Performance Engines  
 95-85 MERCUISER Ski Engines  
 95-77 MERCUISER Stern Drives

# TECHNICAL REFERENCE GUIDE

ELEC SYS.	POWER OUTPUT	PULLEY/ DRIVE	ROTATION	UNIT DESIGN
-----------	--------------	---------------	----------	-------------

## 2-2909-DR - continued

94-86 OMC Engines - Marine  
 95-76 PLEASURECRAFT Inboard & Sterndrive  
 88-77 THERMO ELECTRON Engines - Marine  
 99-93 VOLVO PENTA Inboard & Sterndrive

## 2-2909-DR-1 (6423NC)

DR	12	9T	CW	SD300
----	----	----	----	-------



Chrome finish

70-On BERKLEY JET Inboard & Sterndrive  
 95-77 CRUSADER Inboard & Sterndrive  
 96-90 MERCURUISER Hi-Performance Engines  
 95-85 MERCURUISER Ski Engines  
 95-77 MERCURUISER Stern Drives  
 94-86 OMC Engines - Marine  
 95-76 PLEASURECRAFT Inboard & Sterndrive  
 88-77 THERMO ELECTRON Engines - Marine  
 99-93 VOLVO PENTA Inboard & Sterndrive

## 2-2910-DR (6261N)

DR	12	11T	CCW	42MT
----	----	-----	-----	------



## 2-2911-UT (5401N)

UT	12	10T	CCW	PMDD
----	----	-----	-----	------



97-84 MARINER Engines - Marine Outboard  
 97-84 MERCURY Engines - Marine Outboard

## 2-2912-PL (5903N)

UT	12	10T	CW	PMDD
----	----	-----	----	------

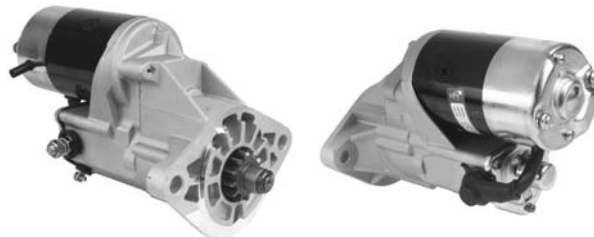


MERCURY Engines - Marine Outboard

ELEC SYS.	POWER OUTPUT	PULLEY/ DRIVE	ROTATION	UNIT DESIGN
-----------	--------------	---------------	----------	-------------

## 2-2913-ND (18424N)

ND	12	12T	CW	OSGR
----	----	-----	----	------



97-On YANMAR Engines - Marine

## 2-2914-DR (6925N)

DR	12	10T	CCW	27MT
----	----	-----	-----	------



## 2-2915-VA-1 (17316N)

VA	3.1kW	12	11T	CW	OSGR
----	-------	----	-----	----	------



Will also replace Paris Rhone D11E167, 167T; Valeo 097224, Volvo-Penta 1359119, 1367049, 1541457, 829527-1 DD Starters (Lester 16464).

05-76 VOLVO PENTA Inboard & Sterndrive

## 2-2916-VA (18915N)

VA	12	9T	CW	PMGR
----	----	----	----	------



Replaces Bosch 0-001-157-023 direct drive starter (Lester 18904).

96-76 BMW Motorcycles

ELEC SYS.	POWER OUTPUT	PULLEY/ DRIVE	VOLTS	ROTATION	UNIT DESIGN
<b>2-2917-VA</b>					<b>(18916N)</b>
VA	12	9T	CCW	PMGR	



07-93 BMW Motorcycles

<b>2-2918-MT</b>					
MT	12	10-SPL	CCW	PMDD	



05-01 YAMAHA Scooters

<b>2-2919-MT</b>					<b>(18894N)</b>
MT	12	9-SPL	CCW	PMDD	



00-96 YAMAHA Personal Watercraft (PWC)

<b>2-2920-MT</b>					<b>(18303N)</b>
HI	12	11T	CCW	DD	



93-87 YAMAHA Personal Watercraft (PWC)

<b>2-2921-MT</b>					<b>(18436N)</b>
MT	12	9-SPL	CCW	PMDD	



08-05 YAMAHA Personal Watercraft (PWC)

ELEC SYS.	POWER OUTPUT	PULLEY/ DRIVE	VOLTS	ROTATION	UNIT DESIGN
<b>2-2922-ND</b>					<b>(17383N)</b>
ND	12	9T	CW	PMDD	



<b>2-2923-DR</b>					<b>(3567N)</b>
DR	12	9T	CCW	SD300	



Also replaces Prestolite 46-966, MHA-7012 (Lester 5178)

77-69 CHRIS CRAFT Inboard & Sterndrive  
86-69 VOLVO PENTA Inboard & Sterndrive

<b>2-2924-DR</b>					<b>(6439N)</b>
DR	12	9T	CCW	SD300	



95-77 CRUSADER Inboard & Sterndrive  
95-76 PLEASURECRAFT Inboard & Sterndrive

<b>2-2926-ND</b>					<b>(17630N)</b>
ND	2.5kW	12	10T	CW	OSGR



07-04 JOHN DEERE Engines - Marine

◆ See Buyer's Guide for Optional Units

# TECHNICAL REFERENCE GUIDE

ELEC SYS.	POWER OUTPUT	VOLTS	PULLEY/ DRIVE	ROTATION	UNIT DESIGN
-----------	--------------	-------	---------------	----------	-------------

## 2-2936-ND (18798N)

ND	12	9-SPL	CCW	PMDD
----	----	-------	-----	------



Short shaft

03-99 SUZUKI Motorcycles

## 2-2937-ND (18814N)

ND	12	9-SPL	CCW	PMDD
----	----	-------	-----	------



Long shaft

07-04 SUZUKI Motorcycles

## 2-2938-ND (18999N)

ND	12	9T	CCW	DD
----	----	----	-----	----



## 2-2942-ND (18984N)

ND	0.4kW	12	14T	CCW	PMGR
----	-------	----	-----	-----	------



HONDA Small Engines

## 2-2943-MT (18423N)

MT	1.2kW	12	17T	CCW	OSGR
----	-------	----	-----	-----	------

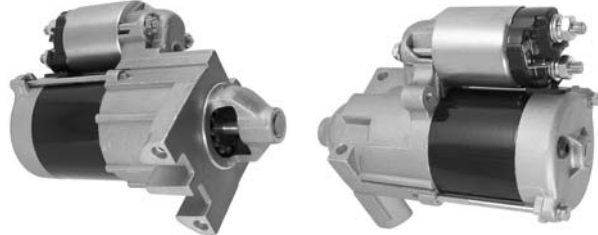


COLEMAN Generators

ELEC SYS.	POWER OUTPUT	VOLTS	PULLEY/ DRIVE	ROTATION	UNIT DESIGN
-----------	--------------	-------	---------------	----------	-------------

## 2-2944-ND (18986N)

ND	12	12T	CCW	DD
----	----	-----	-----	----



05-03 CLUB CAR Golf Carts  
CUB CADET Mowers - Professional  
HONDA Small Engines

## 2-2945-ND (18266N)

ND	0.6kW	12	9T	CCW	DD
----	-------	----	----	-----	----



95-On GRAVELY Tractors - Lawn  
JOHN DEERE Mowers - Walk Behind  
JOHN DEERE Mowers - Z-Trak  
JOHN DEERE Tractors - Lawn  
05-Bk KAWASAKI Small Engines  
KUBOTA Tractors - Lawn

## 2-2946 (5917N)

UT	12	10T	CCW	PMDD
----	----	-----	-----	------



07-05 HONDA Small Engines  
TORO Tractors - Lawn

## 2-2947 (5704N)

UT	12	10T	CCW	PMDD
----	----	-----	-----	------



86-79 CUB CADET Tractors - Garden  
82-79 JOHN DEERE Tractors - Lawn  
79-On ONAN Engines

ELEC SYS.	POWER OUTPUT	VOLTS	PULLEY/ DRIVE	ROTATION	UNIT DESIGN
<b>2-2961</b>					
		12	9T	CCW	



ELEC SYS.	POWER OUTPUT	VOLTS	PULLEY/ DRIVE	ROTATION	UNIT DESIGN
<b>2-2966</b>					
		12	9-SPL		



<b>2-2962</b>					
UT		12			PMDD



<b>2-2967</b>					
		12			



<b>2-2963</b>					
UT		12	10T	CCW	(5922N) PMDD



JOHN DEERE Tractors - Lawn  
KAWASAKI Small Engines

<b>2-2968</b>					
		12			



<b>2-2964</b>					
MT		12	10-SPL	CCW	(18660N-OE) PMDD



88-82 HONDA Motorcycles

<b>2-2973-ND</b>					
ND	5.5kW	12	11T	CW	(18455N) OSGR



JOHN DEERE Engines - Marine

<b>2-2965</b>					
		12			



<b>2-2997-MI</b>					
MI	4.0kW	24	10T	CW	(18041N) OSGR



75-On ONAN Engines

◆ See Buyer's Guide for Optional Units



# TECHNICAL REFERENCE GUIDE

ELEC SYS.	POWER OUTPUT	VOLTS	PULLEY/ DRIVE	ROTATION	UNIT DESIGN
-----------	--------------	-------	---------------	----------	-------------

## 2-2999-MT (18817N)

MT	12				PMDD
----	----	--	--	--	------



05-02 BOMBARDIER All-Terrain Vehicle (ATV)  
JOHN DEERE Utility Vehicle (UTV)

## 2-3005-BO (18954N)

BO	2.2kW	12	9T	CW	PMGR
----	-------	----	----	----	------



00-On JOHN DEERE Skid Steer Loaders

## 2-3037-BO (18253N)

BO	5.4kW	24	11T	CW	DD
----	-------	----	-----	----	----



83-80 AIFO Engines - Marine

## 2-3042-BO (17094N)

BO	5.4kW	24	11T	CW	DD
----	-------	----	-----	----	----



65-On DEUTZ Engines - Marine

## 2-3066 (5936N)

BS	12	24T	CCW		PMDD
----	----	-----	-----	--	------

*Photo Not Available.*

BRIGGS & STRATTON Engines

ELEC SYS.	POWER OUTPUT	VOLTS	PULLEY/ DRIVE	ROTATION	UNIT DESIGN
-----------	--------------	-------	---------------	----------	-------------

## 2-3079-UT (5944N)

UT	12	9T		CW	PMDD
----	----	----	--	----	------



94-88 ARCTIC CAT Snowmobiles

## 2-3080-UT (5943N)

UT	12				PMDD
----	----	--	--	--	------



02-94 ARCTIC CAT Snowmobiles

## 2-3081-UT (5945N)

UT	12				PMDD
----	----	--	--	--	------



08-01 ARCTIC CAT Snowmobiles

## 2-3082-ND (18875N)

ND	12	8T		CW	PMDD
----	----	----	--	----	------



07-02 LYNX Snowmobiles  
06-01 SKI-DOO Snowmobiles

## 2-3083-ND (18890N)

ND	12	9T		CCW	PMDD
----	----	----	--	-----	------



05-91 YAMAHA Snowmobiles

ELEC SYS.	POWER OUTPUT	VOLTS	PULLEY/ DRIVE	ROTATION	UNIT DESIGN
<b>2-3084-ND (18891N)</b>					
ND	12	9T	CCW	PMDD	



06-97 YAMAHA Snowmobiles

<b>2-3142-DR (6263N)</b>					
DR	24	11T	CCW	42MT	



### 2-3144-UT (5779N)

UT	12	10T	CCW	PMDD	
----	----	-----	-----	------	--



01-94 EVINRUDE Engines - Marine Outboard  
01-93 JOHNSON Engines - Marine Outboard

### 2-3145 (5898N)

TC	120	16T	CCW		
----	-----	-----	-----	--	--



Includes extension cord to plug into 110 Volt standard outlet

### 2-3146-UT (5398N)

UT	12	9T	CCW	PMDD	
----	----	----	-----	------	--



Used w/ 135-tooth flywheel.

88-80 MARINER Engines - Marine Outboard  
88-78 MERCURY Engines - Marine Outboard

ELEC SYS.	POWER OUTPUT	VOLTS	PULLEY/ DRIVE	ROTATION	UNIT DESIGN
<b>2-3147-UT (5727N)</b>					
UT	12	11T	CCW	PMDD	



84-64 CHRYSLER Engines - Marine Outboard  
91-84 FORCE Engines - Marine Outboard  
89-64 U.S. Outboard Motors

### 2-3148-UT (5396N)

PL	12	10T	CW	DD	
----	----	-----	----	----	--



84-72 CHRYSLER Engines - Marine Outboard  
89-86 FORCE Engines - Marine Outboard

### 2-3149-ND (18820N)

ND	12	9-SPL	CCW	PMDD	
----	----	-------	-----	------	--



08-93 BMW Motorcycles  
07-00 BOMBARDIER All-Terrain Vehicle (ATV)

### 2-3150-MT (18809N)

MT	12		CW	PMDD	
----	----	--	----	------	--



08-02 SUZUKI All-Terrain Vehicle (ATV)

♦ See Buyer's Guide for Optional Units

# TECHNICAL REFERENCE GUIDE

ELEC POWER PULLEY/  
SYS. OUTPUT VOLTS DRIVE ROTATION UNIT DESIGN

**3-1007-01HI-1** (15420N)

HI 15A 12



JOHN DEERE Utility Vehicle (UTV)

**3-1012-01HI-1** (15422N)

HI 12



96-On YAMAHA Golf Carts

**3-1013-01HI-1** (15423N)

HI 12



93-On EZ-GO Golf Carts  
94-On EZ-GO Industrial Cart  
98-On EZ-GO Turf Carts  
94-On EZ-GO Utility Carts

**3-1014-01HI-1** (15425N)

HI 12



95-78 YAMAHA Golf Carts

ELEC POWER PULLEY/  
SYS. OUTPUT VOLTS DRIVE ROTATION UNIT DESIGN

**3-1015-01HI-1** (15421N)

HI 12 CW



93-80 EZ-GO Golf Carts

**3-1016-HD** (15410NB)

PL 12



Black finish

84-65 HARLEY DAVIDSON Motorcycles

**3-1016-HD-1** (15410NC)

PL 12



Chrome finish

84-65 HARLEY DAVIDSON Motorcycles

**3-1017-01HI** (15424N)

HI 12



**3-1018-DR** (9191N)

DR 15A 12 CCW



Bearing armature

ELEC SYS.	POWER OUTPUT	PULLEY/ DRIVE	ROTATION	UNIT DESIGN
-----------	--------------	---------------	----------	-------------

### 3-1018-DR - continued

74-61	CUB CADET Tractors - Garden			
76-61	INTERNATIONAL Tractors - Garden			
74-61	INTERNATIONAL Tractors - Lawn			

### 3-1019-DR (9193N)

DR	15A	12	CW	
----	-----	----	----	--



Bearing armature

74-66	CUSHMAN Carts			
78-63	JACOBSEN Tractors - Lawn			
70-65	ROPER Tractors - Lawn			
68-59	SIMPLICITY Tractors - Lawn			

### 3-1020-DR (9190N)

DR	15A	12	CCW	
----	-----	----	-----	--



Bearing armature

69-64	CUB CADET Tractors - Garden			
69-64	INTERNATIONAL Tractors - Garden			
69-64	INTERNATIONAL Tractors - Lawn			

### 3-1022-01HI-1 (15435N)

MD	25A	12	CW	
----	-----	----	----	--



96-84 CLUB CAR Golf Carts

### 3-1023-MD

MD	23A	12	CW	
----	-----	----	----	--



06-96 CLUB CAR Golf Carts

ELEC SYS.	POWER OUTPUT	PULLEY/ DRIVE	ROTATION	UNIT DESIGN
-----------	--------------	---------------	----------	-------------

### 3-1024-MD (15431N)

MD	25A	12	CCW	
----	-----	----	-----	--



09-00 TORO Utility Vehicle (UTV)

### 3-1025-01DR-2 (9188N)

DR	15A	12	CCW	
----	-----	----	-----	--



72-69	CUB CADET Tractors - Garden			
72-69	INTERNATIONAL Tractors - Garden			
72-69	INTERNATIONAL Tractors - Lawn			

### 20-117-1 (7266N)

DR	60A	12	CW/CCW	20SI
----	-----	----	--------	------



90-86 CATERPILLAR Engines - Marine

### 20-118-1 (7297N)

DR	45A	24	CW/CCW	20SI
----	-----	----	--------	------



93-86 CATERPILLAR Engines - Marine

◆ See Buyer's Guide for Optional Units

# TECHNICAL REFERENCE GUIDE

ELEC SYS.	POWER OUTPUT	VOLTS	PULLEY/ DRIVE	ROTATION	UNIT DESIGN
-----------	--------------	-------	---------------	----------	-------------

## 20-119-1 (7255N)

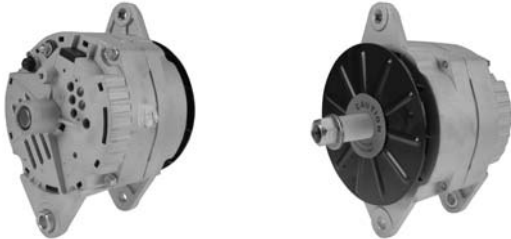
DR	75A	12		CW/CCW	25SI
----	-----	----	--	--------	------



74-On CATERPILLAR Engines - Marine  
88-On DETROIT DIESEL Inboard

## 20-124-1 (7138N)

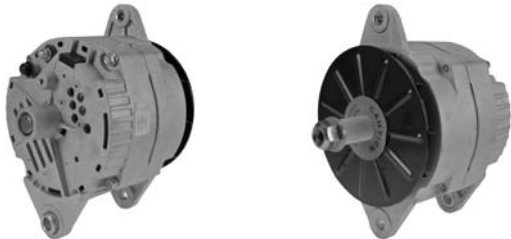
DR	80A	12		CW/CCW	27SI/200
----	-----	----	--	--------	----------



88-On DETROIT DIESEL Inboard

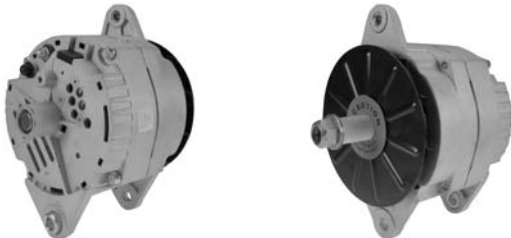
## 20-125-1 (7850N)

DR	100A	12		CW/CCW	27SI/200
----	------	----	--	--------	----------



## 20-127-1 (7197N)

DR	65A	24		CW/CCW	27SI/200
----	-----	----	--	--------	----------



## 20-132-1 (7975N)

DR	60A	24		CW/CCW	30SI
----	-----	----	--	--------	------



87-86 CUMMINS Inboard

ELEC SYS.	POWER OUTPUT	VOLTS	PULLEY/ DRIVE	ROTATION	UNIT DESIGN
-----------	--------------	-------	---------------	----------	-------------

## 20-159-1 (7152N)

DR	61A	12	1V	CW	10SI
----	-----	----	----	----	------



Self-exciting, 1-wire hookup  
Ignition protected

72-On CRUSADER Engines - Marine  
72-On HARDIN Stern Drives  
72-On JACUZZI JET Stern Drives  
82-68 MERCURUISER Inboard Engines  
84-69 MERCURUISER Stern Drives  
87-81 OMC Engines - Marine  
74-On PLEASURECRAFT Inboard & Sterndrive

## 20-159-2 (7152NC-94A)

DR	94A	12	1V	CW	10SI
----	-----	----	----	----	------



94A hi-output, self-exciting, 1-wire hookup  
Ignition protected  
Chrome finish

## 20-159-3 (7152NC-HQ)

DR	94A	12	1V	CW	10SI
----	-----	----	----	----	------



94A hi-output, self-exciting, 1-wire hookup  
Ignition protected  
Chrome finish w/ hi-quality chrome spark arresting cover

## 20-159-4 (7152N-94A)

DR	94A	12	1V	CW	10SI
----	-----	----	----	----	------



94A hi-output, self-exciting, 1-wire hookup  
Ignition protected

ELEC SYS.	POWER OUTPUT	VOLTS	PULLEY/ DRIVE	ROTATION	UNIT DESIGN
<b>20-178-1</b> (7252N)					
DR	75A	24		CW/CCW	25SI



93-86 CATERPILLAR Engines - Marine

<b>20-502-1</b> (7612N)					
LN	130A	12		CW/CCW	2700JB



<b>20-1163-1</b> (7940N)					
DR	105A	12		CW/CCW	30SI



92-On CATERPILLAR Engines - Marine

<b>50-100-2</b> (3339N)					
DR		12	12T	CW	40MT



Solenoid positioned at 82 degrees.

74-70 CATERPILLAR Engines - Marine

<b>50-103-2</b> (3948N)					
DR		24	12T	CW	40MT



Solenoid positioned at 278 degrees.

74-70 CATERPILLAR Engines - Marine

ELEC SYS.	POWER OUTPUT	VOLTS	PULLEY/ DRIVE	ROTATION	UNIT DESIGN
<b>50-104-2</b> (3745N)					
DR		24	11T	CW	40MT



Solenoid positioned at 38 degrees.

84-70 CATERPILLAR Engines - Marine  
84-70 CUMMINS Engines - Marine

<b>50-108-2</b> (3974N)					
DR		12	11T	CW	40MT



Solenoid positioned at 52 degrees.

90-70 CATERPILLAR Engines - Marine

<b>50-111</b> (4930N)					
DR		24	11T	CW	50MT



Solenoid positioned at 38 degrees.

97-70 CATERPILLAR Engines - Marine

<b>50-150-2</b> (6371N)					
DR		12	12T	CW	42MT



97-85 CATERPILLAR Engines - Marine

◆ See Buyer's Guide for Optional Units

# TECHNICAL REFERENCE GUIDE

ELEC SYS.	POWER OUTPUT	PULLEY/ DRIVE	ROTATION	UNIT DESIGN
-----------	--------------	---------------	----------	-------------

## 50-151-2 (6370N)

DR	24	11T	CW	42MT
----	----	-----	----	------



97-85 CATERPILLAR Engines - Marine  
85-On CUMMINS Engines - Marine

## 50-152-2 (6360N)

DR	24	12T	CW	42MT
----	----	-----	----	------



95-85 CATERPILLAR Engines - Marine

## 50-153-2 (6356N)

DR	12	11T	CW	42MT
----	----	-----	----	------



Solenoid positioned at 82 degrees.  
For version w/ OCP thermostat use 50-192-2.

95-85 CATERPILLAR Engines - Marine

## 50-159-1 (6410N-PT)

DR	12	10T	CW	37MT
----	----	-----	----	------



Heavy duty positive engagement drive design.  
Solenoid positioned at 52 degrees.  
Also replaces Nippondenso 028000-329, 028000-504 starters.

84-83 PERKINS Inboard & Sterndrive

ELEC SYS.	POWER OUTPUT	PULLEY/ DRIVE	ROTATION	UNIT DESIGN
-----------	--------------	---------------	----------	-------------

## 50-8404 (6576N)

DR	12	10T	CW	28MT
----	----	-----	----	------



Dry clutch, 3-terminal solenoid, 40mm pinion OD.  
Also replaces 22-27MT series 1109253, 1109263, 1998330, 1998342, 1998376.

93-86 BOBCAT Articulated Loaders  
94-80 BOBCAT Skid Steer Loaders  
92-89 BOBCAT Trenchers  
90-81 CLARK Skid Steer Loaders  
PERKINS Engines - Marine  
83-On PERKINS Inboard & Sterndrive

## 50-8405 (6572N)

DR	12	10T	CW	28MT
----	----	-----	----	------



PERKINS Engines - Marine  
07-82 WESTERBEKE Generator Sets  
07-91 WESTERBEKE Inboard

## 50-8406-2 (6584N)

DR	12	10T	CW	28MT
----	----	-----	----	------



Dry clutch, 3-terminal solenoid, 40mm pinion OD.  
Also replaces 22-27MT series 1998336, 1998383, 1998387, 1998481.

PERKINS Engines - Marine  
78-76 TORO Misc. Equipment

## 50-8407 (6573N)

DR	12	10T	CW	28MT
----	----	-----	----	------



88-86 BOBCAT Skid Steer Loaders

ELEC SYS.	POWER OUTPUT	PULLEY/ DRIVE	ROTATION	UNIT DESIGN
-----------	--------------	---------------	----------	-------------

**50-8407 - continued**

85-On CUMMINS Engines - Marine  
 89-On CUMMINS MERCURUISER Inboard  
 98-94 MERCURUISER Diesel Engines

**50-8410 (6575N)**

DR	12	12T	CW	28MT
----	----	-----	----	------



Dry clutch, 3-terminal solenoid, 46.5mm pinion OD.  
 Also replaces 22-27MT series 1109272, 1998334, 1998338, 1998378.

93-89 BOBCAT Skid Steer Loaders  
 PERKINS Engines - Marine  
 84-83 PERKINS Inboard & Sterndrive

**50-8420 (6583N)**

DR	12	10T	CW	28MT
----	----	-----	----	------



Wet clutch (replaces dry clutch applications), 3-terminal solenoid, 32mm pinion OD.  
 Also replaces 27MT series 1998522.  
 Interchangeable with 2-1254-MI, 2-1726-ND, 2-1747-MI, 50-8437-1 (Lester Nos. 16658, 17037, 17577)

90-On CUMMINS Engines - Marine

**50-8421 (6582N)**

DR	24	10T	CW	28MT
----	----	-----	----	------



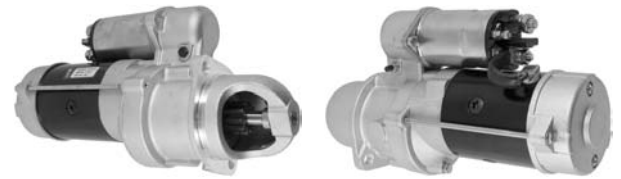
Wet clutch (replaces dry clutch applications), 3-terminal solenoid, 32mm pinion OD.  
 Similar to 50-8434 except 50-8434 w/ 4-terminal solenoid.  
 Also replaces 27MT series 1998488.

90-On CUMMINS Engines - Marine

ELEC SYS.	POWER OUTPUT	PULLEY/ DRIVE	ROTATION	UNIT DESIGN
-----------	--------------	---------------	----------	-------------

**50-8422 (6570N)**

DR	12	10T	CW	28MT
----	----	-----	----	------



Dry clutch, 4-terminal solenoid (4th terminal is dummy terminal), 32mm pinion OD.  
 Also replaces Delco 27MT Series 1998367 (Lester 4000) and Bosch 0-001-359-090 (Lester 16563) starters.

90-77 BOBCAT Skid Steer Loaders  
 07-04 JOHN DEERE Engines - Marine  
 76-70 JOHN DEERE Skid Steer Loaders  
 75-68 JOHN DEERE Tractors - Utility

**50-8430 (6596N)**

DR	24	10T	CW	28MT
----	----	-----	----	------



Wet clutch, 4-terminal solenoid (4th terminal is dummy terminal), 32mm pinion OD

07-04 JOHN DEERE Engines - Marine

**50-8438 (6601N)**

DR	12	10T	CW	28MT
----	----	-----	----	------



D.E. housing w/ 1/2-13 ground boss, dry clutch, 4-terminal solenoid (4th terminal is dummy terminal), 32mm pinion OD.

07-04 JOHN DEERE Engines - Marine  
 98-94 JOHN DEERE Skid Steer Loaders

**50-9101-1 (18029N)**

BO	3.0kW	12	9T	CW	DD
----	-------	----	----	----	----



83-73 AIFO Engines - Marine

◆ See Buyer's Guide for Optional Units



# TECHNICAL REFERENCE GUIDE

ELEC SYS.	POWER OUTPUT	VOLTS	PULLEY/ DRIVE	ROTATION	UNIT DESIGN
-----------	--------------	-------	---------------	----------	-------------

## 50-9105-1 (17092N)

BO	3.0kW	12	9T	CW	DD
----	-------	----	----	----	----



83-78 AIFO Engines - Marine

## 50-9107 (17112N)

BO	2.4kW	12	9T	CW	DD
----	-------	----	----	----	----



75-67 DEUTZ Engines - Marine

## 50-9108 (18031N)

BO	3.2kW	24	9T	CW	DD
----	-------	----	----	----	----



83-73 AIFO Engines - Marine

## 50-9109-1 (17074N)

BO	3.0kW	12	9T	CW	DD
----	-------	----	----	----	----



75-67 DEUTZ Engines - Marine

## 50-9110-1 (17073N)

BO	4.0kW	24	9T	CW	DD
----	-------	----	----	----	----



91-67 DEUTZ Engines - Marine

ELEC SYS.	POWER OUTPUT	VOLTS	PULLEY/ DRIVE	ROTATION	UNIT DESIGN
-----------	--------------	-------	---------------	----------	-------------

## 50-9122-1 (18033N)

BO	4.0kW	24	9T	CW	DD
----	-------	----	----	----	----



83-78 AIFO Engines - Marine

## 50-9124-1 (17075N)

BO	2.7kW	12	9T	CW	DD
----	-------	----	----	----	----



92-67 DEUTZ Engines - Marine

## 50-9200 (16608N-M127)

LU	2.8kW	12	10T	CW	M127
----	-------	----	-----	----	------



M127 design

92-87 NEW HOLLAND Mowers  
00-75 NEW HOLLAND Tractors - Utility


## 50-9200-1 (16608N-M50)


LU	2.8kW	12	10T	CW	M50
----	-------	----	-----	----	-----





M50 design


92-87 NEW HOLLAND Mowers  
00-75 NEW HOLLAND Tractors - Utility

ELEC SYS.	POWER OUTPUT	VOLTS	PULLEY/ DRIVE	ROTATION	UNIT DESIGN
<b>82-6850</b>					<b>(10803N)</b>
		12			
					
3-wire connection					
85-80 OMC Tilt & Trim					


<b>82-6851</b>					<b>(10808N)</b>
		12			
					
2-wire connection					
79-65 OMC Tilt & Trim					

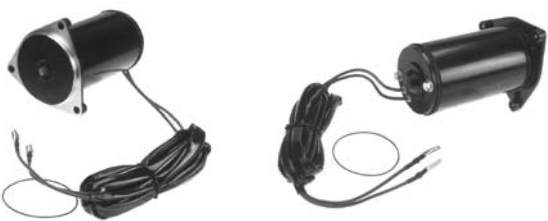
<b>82-6852</b>					<b>(10725N-SB)</b>
		12		CW	
					
4-field coils					
Single ball bearing					
Oil seal at D.E.					
FISHER Plow Motors WESTERN PRODUCTS Plow Motors					

<b>82-6852-1</b>					<b>(10757N-DP)</b>
		12		CW	
					
Single ball bearing					

ELEC SYS.	POWER OUTPUT	VOLTS	PULLEY/ DRIVE	ROTATION	UNIT DESIGN
<b>82-6853</b>					<b>(6067N)</b>
		12		CW	
					
4-field coils					
WESTERN PRODUCTS Plow Motors					

<b>82-6854</b>					<b>(10751N)</b>
		12		CCW	
					
2-field coils, high RPM motor					
Single ball bearing					

<b>82-6854-1</b>					<b>(10752N)</b>
		12		CCW	
					
2-field coils, high RPM motor					
Double ball bearings					

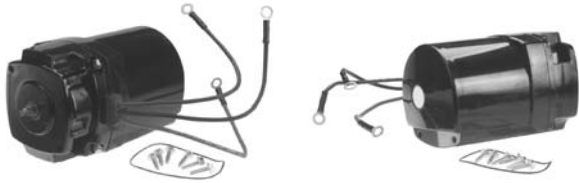
<b>82-6856</b>					<b>(10810N)</b>
		12			
					
2-wire connection w/ male terminals					
92-81	EVINRUDE Tilt & Trim				
92-81	JOHNSON Tilt & Trim				
92-81	OMC Tilt & Trim				
92-81	SEA-DRIVE Tilt & Trim				

◆ See Buyer's Guide for Optional Units

# TECHNICAL REFERENCE GUIDE

ELEC SYS.	POWER OUTPUT	VOLTS	PULLEY/ DRIVE	ROTATION	UNIT DESIGN
<b>82-6857</b>					<b>(10822N-M)</b>

12



Also replaces early square style motor w/ WT187KM adapter kit.

MERCURY Tilt & Trim

ELEC SYS.	POWER OUTPUT	VOLTS	PULLEY/ DRIVE	ROTATION	UNIT DESIGN
<b>82-6870</b>					<b>(6046N)</b>

12

CW



Bushing type

BOSS Plow Motors

<b>82-6865</b>					<b>(10747N)</b>
----------------	--	--	--	--	-----------------

12

20-SPL CW/CCW



Bi-directional, forward & reverse  
4-field coils  
Single ball bearing

<b>82-6882</b>					<b>(10758N)</b>
----------------	--	--	--	--	-----------------

12

CW



Double ball bearings

MEYER Plow Motors

<b>82-6867</b>					<b>(10746N-SB)</b>
----------------	--	--	--	--	--------------------

12

20-SPL CW/CCW



Bi-directional, forward & reverse  
4-field coils  
Single ball bearing

<b>82-6885</b>					<b>(10735N)</b>
----------------	--	--	--	--	-----------------

12

9-SPL

CW



Double ball bearings

<b>82-6867-1</b>					<b>(10746N-DB)</b>
------------------	--	--	--	--	--------------------

12

20-SPL CW/CCW



Bi-directional, forward & reverse  
4-field coils  
Double ball bearing

<b>82-6889</b>					<b>(10725N-DB)</b>
----------------	--	--	--	--	--------------------

12

CW



4-field coils  
Double ball bearings  
Oil seal at D.E.

FISHER Plow Motors  
WESTERN PRODUCTS Plow Motors

ELEC SYS.	POWER OUTPUT	VOLTS	PULLEY/ DRIVE	ROTATION	UNIT DESIGN	ELEC SYS.	POWER OUTPUT	VOLTS	PULLEY/ DRIVE	ROTATION	UNIT DESIGN
<b>82-6891-2</b> (10815N-P)						<b>82-6895</b> (10812N)					
		12						12			
											
OE square design						2-wire connection					
92-85 MERCURY Tilt & Trim						OMC Tilt & Trim					
<b>82-6892</b> (10805N)						<b>82-6896</b> (10838N)					
		12						12			
											
3-wire connection						2-wire connection					
80-76 EVINRUDE Tilt & Trim 80-76 JOHNSON Tilt & Trim 80-76 OMC Tilt & Trim						03-90 SUZUKI Tilt & Trim 03-90 TOHATSU Tilt & Trim					
<b>82-6893</b> (10811N)						<b>82-6897</b> (10837N)					
		12						12			
											
2-wire connection						3-wire connection					
89-On EVINRUDE Tilt & Trim 89-On JOHNSON Tilt & Trim 89-On OMC Tilt & Trim						SUZUKI Tilt & Trim					
<b>82-6894</b> (10811AN)						<b>82-6898</b> (10814N)					
		12						12			
											
2-wire connection						With reservoir, 3-wire connection					
						MERCURY Tilt & Trim VOLVO PENTA Tilt & Trim					

◆ See Buyer's Guide for Optional Units

# TECHNICAL REFERENCE GUIDE

ELEC POWER PULLEY/  
SYS. OUTPUT VOLTS DRIVE ROTATION UNIT DESIGN

**82-6899** (10806N)

12



With reservoir.  
3-wire connection w/ ring terminals.

CHRYSLER Tilt & Trim  
EVINRUDE Tilt & Trim  
FORCE Tilt & Trim  
JOHNSON Tilt & Trim  
OMC Tilt & Trim  
U.S. Tilt & Trim

**82-6899-1** (10806N-1)

12



With reservoir.  
3-wire connection w/ molded plug

CHRYSLER Tilt & Trim  
EVINRUDE Tilt & Trim  
FORCE Tilt & Trim  
JOHNSON Tilt & Trim  
OMC Tilt & Trim  
U.S. Tilt & Trim

**82-7850** (5200N)

12

CCW



MEYER Plow Motors

**82-7851** (10736N)

12

9-SPL

CW



Double ball bearings

ELEC POWER PULLEY/  
SYS. OUTPUT VOLTS DRIVE ROTATION UNIT DESIGN

**82-7852** (10710N)

12

CW



Double ball bearings

MEYER Plow Motors

**82-7853** (10844N)

12



Female terminal ends

**82-7854** (10816N-S)

12



Late model, short harness, 2-wire connection. Supplied w/ adapter to replace motors w/ hollow hex shafts

91-On EVINRUDE Tilt & Trim  
91-On JOHNSON Tilt & Trim  
91-On OMC Tilt & Trim

**82-7855-2** (10829N)

12



3-wire connection

MERCURY Tilt & Trim

ELEC SYS.	POWER OUTPUT	VOLTS	PULLEY/ DRIVE	ROTATION	UNIT DESIGN
		12			(10816N-L)



Late model, long harness, 2-wire connection. Supplied w/ adapter to replace motors w/ hollow hex shafts

- 91-On EVINRUDE Tilt & Trim
- 91-On JOHNSON Tilt & Trim
- 91-On OMC Tilt & Trim

## 82-7857 (10845N)

12



Motor only w/ 2-wire connection

VOLVO PENTA Tilt & Trim

## 82-7859 (10711N)

12

CCW



Single ball bearing  
Seals & rings to keep out water

MEYER Plow Motors

## 82-7863-2 (10815N-M)

12



3-wire motor. Replaces OE square-style Eaton.  
For motor & pump assy. use 82-6891-2.

- 92-85 MERCURY Tilt & Trim

ELEC SYS.	POWER OUTPUT	VOLTS	PULLEY/ DRIVE	ROTATION	UNIT DESIGN
		12			(10822N-CBM)



Complete w/ stainless steel bracket, solenoids, wiring cables, junction block & stainless steel hardware

MERCURY Tilt & Trim

## 82-7864-2 (10822N-A)

12



3-wire connection

MERCURY Tilt & Trim

## 82-7865 (10828N)

12



2-wire w/ bullet connectors

MERCURY Tilt & Trim

## 82-7866 (10827N)

12



2-wire w/ bullet connectors

FORCE Tilt & Trim  
MERCURY Tilt & Trim

◆ See Buyer's Guide for Optional Units

# TECHNICAL REFERENCE GUIDE

ELEC SYS.	POWER OUTPUT	PULLEY/ DRIVE	ROTATION	UNIT DESIGN	ELEC SYS.	POWER OUTPUT	PULLEY/ DRIVE	ROTATION	UNIT DESIGN
<b>82-7867</b>					<b>82-68101</b>				
12					12				
									
2-wire w/ bullet connectors					2-wire w/ ring terminal connections				
95-On MERCURY Tilt & Trim					95-92 YAMAHA Tilt & Trim				
<b>82-7868</b>					<b>82-68102</b>				
12					12				
									
Hydraulic hoses attach & seal with inverted flare fittings.					2-wire w/ ring terminal connections				
VOLVO PENTA Tilt & Trim					95-86 YAMAHA Tilt & Trim				
<b>82-7869</b>					<b>82-68103</b>				
12					12				
									
Hydraulic hoses attach & seal with O-ring connection at the end of trim hose.					95-93 MERCURY Tilt & Trim				
<b>82-68100</b>					<b>82-68104</b>				
12					12				
									
Replaces Electrolux 5024/120 version. 2-wire w/ female spade terminal connections					FORCE Tilt & Trim MERCURY Tilt & Trim				
VOLVO PENTA Tilt & Trim									

# PART NUMBER CROSS REFERENCE - OEM TO CATALOG NUMBER

OE NO.	PART NO.	OE NO.	PART NO.	OE NO.	PART NO.	OE NO.	PART NO.
<b>AC DELCO</b>		<b>AC DELCO</b>		<b>BOMBARDIER</b>		<b>BOSCH</b>	
321-600	20-119-1	323-864	50-153-2	278-001-301	2-2151	0-001-415-016	2-3037-BO
321-603	20-124-1	323-866	2-3142-DR	278-001-497	2-2769-ND-2	0-001-416-009	2-3037-BO
321-605	20-124-1	323-867	50-153-2	278-001-935	2-2147	0-001-416-021	2-3037-BO
321-611	20-119-1	323-877	2-2471-DR	278-001-936	2-2769-ND-2	0-001-416-030	2-3042-BO
321-621	20-159-1	323-911	50-8421	278-001-937	2-2153	6-004-AA3-014	2-3005-BO
321-654	20-127-1	323-933	50-152-2	420-294-351	2-3149-ND	9-000-143-101	2-2301-LU
321-655	20-178-1	323-954	50-150-2	420-888-991	2-2999-MT	9-000-143-108	2-2301-LU
321-665	20-118-1	336-1815	50-8407	515-175-562	2-3082-ND	9-007-044-014	2-2085-BO
321-666	20-117-1	336-1824	2-1593-DR-2	515-175-843	2-3082-ND	F-000-AL0-115	2-3005-BO
321-670	20-1163-1	336-1847	2-1590-DR-2	515-176-003	2-3082-ND	<b>BRIGGS &amp; STRATTON</b>	
321-671	20-132-1	336-1847	2-1592-DR	711-294-351	2-3149-ND	390838	2-2188
321-696	20-1163-1	336-1849	2-1601-DR-2	711-888-991	2-2999-MT	392749	2-2188
321-697	20-178-1	336-1860	2-1590-DR-2	995435	2-2145-ND	393017	2-2189
321-700	1-2301-00DR	336-1860	2-1592-DR	DAW26844	2-1785-ND	393499	2-2191
321-702	20-119-1	336-1880	2-1590-DR-2	<b>BOSCH</b>			
321-707	1-2301-00DR	336-1880	2-1592-DR	0-001-109-029	2-2362-BO	394674	2-2189
321-743	20-125-1	336-1911	2-1580-DR	0-001-110-028	2-1267-BO-2	394805	2-2188
321-754	20-1163-1	<b>ARTIC CAT</b>		0-001-110-041	2-1267-BO-2	394807	2-2190
323-1619	2-2322-DR-2	0645-183	2-3080-UT	0-001-110-141	2-1267-BO-2	394808	2-2189
323-1619	2-2322-DR-3	0645-184	2-2146	0-001-157-023	2-2916-VA	394943	2-2191
323-217	2-1674-FD	0645-312	2-3080-UT	0-001-211-992	2-1340-BO	399169	2-2191
323-220	2-1601-DR-2	0745-018	2-3079-UT	0-001-211-992	2-1340-BO-1	399928	2-2192
323-236	2-1590-DR-2	0745-126	2-3081-UT	0-001-211-993	2-1340-BO	490420	2-2191
323-236	2-1592-DR	0745-143	2-3081-UT	0-001-211-993	2-1340-BO-1	490753	2-2405
323-243	2-1590-DR-2	0745-356	2-3081-UT	0-001-218-172	2-1946-BO	494148	2-2191
323-243	2-1592-DR	0825-001	2-2408	0-001-311-146	2-1288-BO	494198	2-2191
323-254	2-1595-DR	0825-012	2-2408	0-001-311-147	2-1288-BO	494990	2-2191
323-255	2-1593-DR-2	3008-093	2-2152	0-001-358-044	50-9124-1	497401	2-2191
323-273	2-1590-DR-2	3008-327	2-2152	0-001-358-046	50-9124-1	497594	2-2188
323-273	2-1592-DR	3008-462	2-2152	0-001-358-047	50-9107	497595	2-2188
323-274	2-1593-DR-2	3008-536	2-2152	0-001-358-049	50-9124-1	498148	2-2192
323-364	2-1590-DR-2	3545-003	2-2766-MT-2	0-001-359-021	50-9101-1	499521	2-2191
323-364	2-1592-DR	3545-012	2-2408	0-001-359-027	50-9109-1	499529	2-2191
323-371	2-1601-DR-2	3545-015	2-2408	0-001-359-073	50-9109-1	691262	2-2191
323-419	50-8407	B5-691564	2-2407	0-001-359-102	50-9101-1	691564	2-2407
323-436	2-1691-DR-2	<b>BMS MOTOR</b>		0-001-359-122	50-9105-1	693054	2-2188
323-437	50-8405	31036-C12-46	2-2800-2	0-001-360-012	50-9110-1	693469	2-2407
323-438	50-8406-2	31464-C17-24	2-2324	0-001-360-014	50-9110-1	694504	2-3066
323-440	50-8410	31566-C18-36	2-2799-MT-2	0-001-360-014	50-9110-1	808106	2-2407
323-441	50-8410	<b>BMW</b>		0-001-360-027	2-2284-BO	<b>BUHK</b>	
323-442	50-8404	12-41-1-243-181	2-2916-VA	0-001-360-043	2-2283-BO	612H0240	1-1938-01PR-2
323-443	50-8404	12-41-1-244-553	2-2916-VA	0-001-360-063	50-9122-1	<b>CARRIER TRANSICOLD</b>	
323-446	2-1580-DR	12-41-1-244-606	2-2916-VA	0-001-362-034	50-9124-1	20-45-1312	2-2705-ND-2
323-446	2-1580-DR	12-41-1-244-670	2-2916-VA	0-001-362-039	2-2325-BO	20-45-1718	2-2705-ND-2
323-487	50-8420	12-41-1-466-100	2-1267-BO-2	0-001-362-091	50-9124-1	25-34885-00	2-2090-MI
323-672	50-8422	12-41-1-720-663	2-1267-BO-2	0-001-362-093	2-2301-LU	25-37640-00	2-1960-ND-2
323-674	50-8404	12-41-1-720-664	2-1267-BO-2	0-001-362-105	2-2325-BO	25-37725-00	2-1960-ND-2
323-677	2-1760-DR-2	12-41-2-306-700	2-2917-VA	0-001-362-305	50-9124-1	25-38750-00	2-1960-ND-2
323-684	50-8404	12-41-2-343-511	2-3149-ND	0-001-362-311	50-9124-1	25-38750-00ORM	2-1960-ND-2
323-695	50-8422	12-41-9-062-425	2-2916-VA	0-001-362-313	50-9124-1	29-70050-00	2-2090-MI
323-732	50-159-1	<b>BOMBARDIER</b>		0-001-362-700	2-1925-BO	35-34885-00	2-2090-MI
323-761	50-111	278-000-186	2-2145-ND	0-001-363-101	50-9108	<b>CASE</b>	
323-773	50-108-2	278-000-311	2-2145-ND	0-001-363-111	50-9108	104256A1	20-124-1
323-774	50-100-2	278-000-316	2-2145-ND	0-001-367-028	50-9101-1	104257A1	20-127-1
323-775	50-104-2	278-000-484	2-2147	0-001-367-029	50-9105-1	107717A1	50-153-2
323-777	50-103-2	278-000-485	2-2147	0-001-367-082	50-9101-1	121555C91	50-108-2
323-778	50-108-2	278-000-576	2-2151	0-001-368-001	50-9110-1	133745A1	1-2476-01ND
323-784	2-2899-DR	278-000-577	2-2151	0-001-368-019	2-2283-BO	20-1295T91	50-108-2
323-822	50-8406-2	278-000-987	2-2153	0-001-368-020	50-9122-1	20-1297T91	50-111
323-823	50-8407	278-001-038	2-2151	0-001-410-044	2-3037-BO	20-2383T91	50-153-2
323-824	50-8407	278-001-300	2-2147	0-001-410-053	2-3042-BO	20-2384T91	50-153-2
323-824	50-8407	<b>BOSCH</b>		0-001-410-063	2-3042-BO	20-2386T91	50-150-2
323-830	50-150-2	0-001-109-029	2-2362-BO	0-001-410-099	2-3042-BO	<b>CASE</b>	
323-855	50-150-2	0-001-110-028	2-1267-BO-2	0-001-411-009	2-2622-BO	104256A1	20-124-1
323-857	2-2910-DR	0-001-110-041	2-1267-BO-2	0-001-414-008	2-3037-BO	104257A1	20-127-1
323-857	2-2910-DR	0-001-157-023	2-2916-VA	<b>BOSCH</b>			
323-858	50-151-2	0-001-211-992	2-1340-BO-1	0-001-368-019	2-2283-BO	107717A1	50-153-2
323-859	50-152-2	0-001-211-993	2-1340-BO	0-001-368-020	50-9122-1	121555C91	50-108-2
		0-001-211-993	2-1340-BO-1	0-001-410-044	2-3037-BO	133745A1	1-2476-01ND
		0-001-218-172	2-1946-BO	0-001-410-053	2-3042-BO	20-1295T91	50-108-2
		0-001-311-146	2-1288-BO	0-001-410-063	2-3042-BO	20-1297T91	50-111
		0-001-311-147	2-1288-BO	0-001-410-099	2-3042-BO	20-2383T91	50-153-2
		0-001-358-044	50-9124-1	0-001-411-009	2-2622-BO	20-2384T91	50-153-2
		0-001-358-046	50-9124-1	0-001-414-008	2-3037-BO	20-2386T91	50-150-2
		0-001-358-047	50-9107				
		0-001-358-049	50-9124-1				
		0-001-359-021	50-9101-1				
		0-001-359-027	50-9109-1				
		0-001-359-073	50-9109-1				
		0-001-359-102	50-9101-1				
		0-001-359-122	50-9105-1				
		0-001-360-012	50-9110-1				
		0-001-360-014	50-9110-1				
		0-001-360-027	2-2284-BO				
		0-001-360-043	2-2283-BO				
		0-001-360-063	50-9122-1				
		0-001-362-034	50-9124-1				
		0-001-362-039	2-2325-BO				
		0-001-362-091	50-9124-1				
		0-001-362-093	2-2301-LU				
		0-001-362-105	2-2325-BO				
		0-001-362-305	50-9124-1				
		0-001-362-311	50-9124-1				
		0-001-362-313	50-9124-1				
		0-001-362-700	2-1925-BO				
		0-001-363-101	50-9108				
		0-001-363-111	50-9108				
		0-001-367-028	50-9101-1				
		0-001-367-029	50-9105-1				
		0-001-367-082	50-9101-1				
		0-001-368-001	50-9110-1				
		0-001-368-019	2-2283-BO				
		0-001-368-020	50-9122-1				
		0-001-410-044	2-3037-BO				
		0-001-410-053	2-3042-BO				
		0-001-410-063	2-3042-BO				
		0-001-410-099	2-3042-BO				
		0-001-411-009	2-2622-BO				
		0-001-414-008	2-3037-BO				



# PART NUMBER CROSS REFERENCE - OEM TO CATALOG NUMBER

OE NO.	PART NO.	OE NO.	PART NO.	OE NO.	PART NO.	OE NO.	PART NO.
<b>CASE</b>		<b>CATERPILLAR</b>		<b>CATERPILLAR</b>		<b>CATERPILLAR</b>	
260493C91	50-151-2	0R4318	2-2263-ND	4L9547	50-108-2	7T1799	50-103-2
262762C91	50-108-2	0R5202	20-124-1	4N0956	50-108-2	7T2265	50-100-2
263819C91	50-153-2	0R5205	20-119-1	4N0957	50-151-2	7T9254	50-100-2
307822R92	50-104-2	0R5207	50-103-2	4N0959	50-111	8C359	50-100-2
313979R92	50-104-2	0R5209	50-104-2	4N1062	50-151-2	8C3592	50-108-2
313979R93	50-151-2	0R5213	50-111	4N1064	50-108-2	8C3593	50-108-2
317941R92	50-104-2	0R5217	20-118-1	4N3181	50-103-2	8C3596	50-150-2
412732C91	50-108-2	0R5218	50-150-2	4N3182	50-152-2	8C3597	50-103-2
415515C91	50-108-2	0R5270	50-103-2	4N3343	50-111	8C3644	50-104-2
423103C91	20-124-1	0R5347	50-108-2	4N3347	50-103-2	8C3645	50-151-2
424430C91	20-124-1	104-7041	50-151-2	4N3348	50-103-2	8C3647	50-103-2
431481C91	50-108-2	104-7042	50-151-2	4N3349	50-111	8C3648	50-100-2
431481R91	50-108-2	106-8551	50-151-2	4N3350	50-103-2	8C3649	50-104-2
439677R91	50-104-2	106-8554	50-151-2	4N8118	50-104-2	8C3650	50-103-2
462588C91	50-111	10R0400	50-151-2	4N956	50-108-2	8C3651	50-152-2
489716C91	50-151-2	1142401	20-132-1	4N957	50-104-2	8C3652	50-153-2
489717C91	50-111	138008	1-2392-01MI	5A6494	50-103-2	8H1813	50-104-2
510275C91	50-108-2	207-1556	50-151-2	5A6495	50-103-2	8L5881	50-100-2
522458C91	50-108-2	2371962	50-111	5A6522	50-103-2	8L8205	50-111
523579C91	50-108-2	25900	50-103-2	5L2537	50-104-2	8L8206	50-108-2
527888C91	50-151-2	2N2761	50-153-2	5L2637	50-104-2	8N0999	20-178-1
530692C91	50-108-2	2N3538	50-100-2	5L3648	50-111	8N2145	50-103-2
627589C91	50-104-2	2S0900	50-103-2	5L4160	50-108-2	9G4337	50-103-2
673782C91	50-103-2	2S900	50-103-2	5L4168	50-108-2	9G4338	50-103-2
683594C91	20-127-1	302071	50-159-1	5L4169	50-108-2	9G4339	50-103-2
690400C91	50-104-2	343274	50-159-1	5L4405	50-111	9G4339	50-152-2
690644C92	50-103-2	347198	50-8404	5L5353	50-111	9G5584	50-104-2
739911C9	50-111	3A1872	50-103-2	5L537	50-104-2	9G5585	50-104-2
739912C91	50-111	3A1872H	50-103-2	5L5667	50-108-2	9G8255	20-118-1
755496C91	50-104-2	3E5382	2-2263-ND	5L5867	50-108-2	9G8854	50-104-2
77115C91	2-2195-UT	3E7863	50-153-2	5L637	50-104-2	9L3597	50-100-2
777525C91	50-108-2	3L8205	50-111	5L648	50-111	9L5938	20-124-1
782685C91	50-108-2	3N2702	20-118-1	5L8205	50-111	9L6200	50-108-2
786086C91	50-108-2	3N2706	20-118-1	5L848	50-111	9L6463	20-124-1
875755R91	50-108-2	3R7356	50-103-2	5N2685	50-111	9L6464	50-111
989969C91	50-151-2	3T2579	50-152-2	5N5692	20-118-1	9L6474	50-111
989969R91	50-104-2	3T2646	50-104-2	5R3155	50-103-2	9L6484	50-111
A145324	50-100-2	3T2647	50-103-2	5R3857	50-103-2	9L6691	50-104-2
A162578	50-100-2	3T2649	50-104-2	5S6698	20-119-1	9M1662	50-103-2
A186224	50-150-2	3T2650	50-104-2	5Z1083	20-178-1	9N0435	50-104-2
A187568	50-152-2	3T2652	50-103-2	646218	50-8404	9N0453	50-104-2
A47464	50-100-2	3T2654	50-108-2	6N1889	50-151-2	9N0716	50-108-2
A47500	50-103-2	3T2655	50-100-2	6N3122	50-104-2	9N0721	50-108-2
A49652	20-127-1	3T2660	50-103-2	6N5217	20-118-1	9N716	50-108-2
A75864	50-100-2	3T2772	50-103-2	6N9249	20-118-1	9W0058	50-100-2
K919752	50-9200	3T2780	50-111	6N9294	20-118-1	9W1082	20-125-1
K919752	50-9200-1	3T2785	50-111	6N9667	50-111	9W2946	2-2263-ND
L114250	20-127-1	3T2787	50-111	6N9677	50-111	OR8997	20-132-1
L72955	20-127-1	3T2879	50-108-2	6T0640	50-111	SL8206	50-108-2
N9552	2-2195-UT	3T3152	50-104-2	6T0647	50-111		
R45968	50-103-2	3T3153	50-104-2	6V0511	50-111		
		3T3154	50-108-2	6V0590	50-111	<b>CHRIS-CRAFT</b>	
		3T3778	50-111	6V0890	50-111	16.61-00042	2-1591-DR
		3T4581	50-103-2	7G7889	20-117-1	16.61-00042	2-1591-DR-1
<b>CATERPILLAR</b>	50-103-2	3T4582	50-103-2	7L8797	50-104-2	16.61-00043	2-2923-DR
002-5900	50-103-2	3T4584	50-103-2	7N6503	50-100-2	16.61-00049	2-2923-DR
OR1522	20-124-1	3T4586	50-152-2	7S3622	50-103-2		
OR2186	50-152-2	3T4586	50-152-2	7T0794	50-104-2	<b>CHRYSLER MARINE</b>	
OR2187	50-151-2	3T6352	20-118-1	7T0798	50-103-2	20-1955	2-3147-UT
OR2189	50-150-2	3T7070	20-124-1	7T0799	50-103-2	201955-9955	2-3147-UT
OR2190	50-151-2	3T8947	50-111	7T0799	50-103-2	44-9541-1	82-6899
OR2191	50-153-2	3T8949	50-111	7T0800	50-104-2	44-9541-1	82-6899-1
OR2415	20-178-1	3T8954	50-111	7T0801	50-104-2	45-5541	82-6899
OR2698	20-118-1	3T8967	50-111	7T0806	50-104-2	45-5541	82-6899-1
OR2793	20-125-1	3Y6691	20-118-1	7T1081	50-100-2	48-0955	2-2082-UT
OR4259	50-151-2	3Y8852	50-103-2	7T1082	50-103-2	48-9955	2-2082-UT
OR4272	50-111						



# PART NUMBER CROSS REFERENCE - OEM TO CATALOG NUMBER

OE NO.	PART NO.	OE NO.	PART NO.	OE NO.	PART NO.	OE NO.	PART NO.
	<b>DELCO</b>		<b>DELCO</b>		<b>DELCO</b>		<b>DELCO</b>
10479110	50-153-2	1101960	3-1019-DR	1107374	2-1592-DR	1108380	2-1590-DR-2
10479111	50-151-2	1101967	3-1018-DR	1107385	2-1590-DR-2	1108380	2-1592-DR
10479112	50-153-2	1101970	3-1019-DR	1107385	2-1592-DR	1108381	2-1590-DR-2
10479113	50-153-2	1101980	3-1019-DR	1107391	2-1590-DR-2	1108381	2-1592-DR
10479114	50-151-2	1101984	3-1019-DR	1107391	2-1592-DR	1108387	2-1608-DR-1
10479115	50-152-2	1101986	3-1018-DR	1107399	2-1590-DR-2	1108391	2-1590-DR-2
10479116	50-153-2	1101992	3-1019-DR	1107399	2-1592-DR	1108391	2-1592-DR
10479125	50-111	1101993	3-1019-DR	1107400	2-1590-DR-2	1108392	2-1590-DR-2
10479126	50-111	1101995	3-1019-DR	1107400	2-1592-DR	1108392	2-1592-DR
10479136	50-152-2	1101996	3-1020-DR	1107496	2-1590-DR-2	1108400	2-1595-DR
10479164	50-151-2	1101997	3-1018-DR	1107496	2-1592-DR	1108418	2-1595-DR
10479171	50-151-2	1101998	3-1018-DR	1107497	2-1601-DR-2	1108420	2-1590-DR-2
10479185	50-153-2	1102393	20-159-1	1107514	50-8404	1108420	2-1592-DR
10479211	50-151-2	1102496	20-159-1	1107539	50-8404	1108429	2-1593-DR-2
10479225	50-152-2	1105460	20-124-1	1107577	50-8422	1108430	2-1593-DR-2
10479277	50-153-2	1105462	20-124-1	1107580	50-8406-2	1108433	2-1590-DR-2
10479285	50-153-2	1105463	20-124-1	1107596	2-1590-DR-2	1108433	2-1592-DR
10479290	50-151-2	1105464	20-124-1	1107596	2-1592-DR	1108439	2-1590-DR-2
10479621	50-8407	1105465	20-124-1	1107599	50-8422	1108439	2-1592-DR
10479622	50-8421	1105467	20-124-1	1107664	2-1601-DR-2	1108477	2-1590-DR-2
10479624	50-8420	1105469	20-124-1	1107688	2-1601-DR-2	1108477	2-1592-DR
10479628	50-8438	1105470	20-124-1	1107696	2-2908-DR	1108479	2-1590-DR-2
10496870	2-1590-DR-2	1105472	20-125-1	1107754	2-2908-DR	1108479	2-1592-DR
10496870	2-1592-DR	1105473	20-125-1	1107863	50-8422	1108486	2-1601-DR-2
10496877	2-1601-DR-2	1105474	20-127-1	1107866	50-8404	1108489	2-1601-DR-2
10496881	50-8406-2	1105475	20-127-1	1107871	50-8422	1108490	2-1590-DR-2
10496882	50-8407	1105476	20-127-1	1107872	50-8404	1108490	2-1592-DR
10496883	50-8407	1107233	2-1601-DR-2	1107889	2-1601-DR-2	1108491	2-1590-DR-2
10497177	20-124-1	1107237	2-1590-DR-2	1107891	2-1601-DR-2	1108491	2-1592-DR
1100072	20-124-1	1107237	2-1592-DR	1108283	2-1590-DR-2	1108496	2-1590-DR-2
1100073	20-124-1	1107242	2-1590-DR-2	1108283	2-1592-DR	1108496	2-1592-DR
1100077	20-127-1	1107242	2-1592-DR	1108320	2-1590-DR-2	1108497	2-1590-DR-2
1100080	20-124-1	1107247	2-1590-DR-2	1108320	2-1592-DR	1108497	2-1592-DR
1100081	20-124-1	1107247	2-1592-DR	1108326	2-1590-DR-2	1108499	2-1590-DR-2
1100084	20-124-1	1107248	2-1590-DR-2	1108326	2-1592-DR	1108499	2-1592-DR
1100086	20-124-1	1107248	2-1592-DR	1108327	2-1590-DR-2	1108502	2-1593-DR-2
1100087	20-124-1	1107259	2-1590-DR-2	1108327	2-1592-DR	1108503	2-1590-DR-2
1100089	20-124-1	1107259	2-1592-DR	1108331	2-1590-DR-2	1108503	2-1592-DR
1100090	20-124-1	1107260	2-1590-DR-2	1108331	2-1592-DR	1108504	2-1590-DR-2
1100091	20-125-1	1107260	2-1592-DR	1108332	2-1601-DR-2	1108504	2-1592-DR
1100093	20-127-1	1107273	2-1601-DR-2	1108351	2-1590-DR-2	1108506	2-1590-DR-2
1100185	20-124-1	1107274	2-1601-DR-2	1108351	2-1592-DR	1108506	2-1592-DR
1100188	20-124-1	1107301	2-1590-DR-2	1108354	2-1590-DR-2	1108507	2-1590-DR-2
1100189	20-124-1	1107301	2-1592-DR	1108354	2-1592-DR	1108507	2-1592-DR
1100211	20-127-1	1107302	2-1590-DR-2	1108355	2-1601-DR-2	1108512	2-1590-DR-2
1100212	20-124-1	1107302	2-1592-DR	1108360	2-1601-DR-2	1108512	2-1592-DR
1100213	20-124-1	1107306	2-1590-DR-2	1108361	2-1590-DR-2	1108521	2-1590-DR-2
1100274	20-127-1	1107306	2-1592-DR	1108361	2-1592-DR	1108521	2-1592-DR
1100576	20-159-1	1107312	2-2908-DR	1108363	2-1590-DR-2	1108525	2-2591-DR-2
1100577	20-159-1	1107315	2-1601-DR-2	1108363	2-1592-DR	1108648	50-8404
1100894	20-159-1	1107320	2-1590-DR-2	1108365	2-1590-DR-2	1108742	2-2752-DR-2
1100912	20-159-1	1107320	2-1592-DR	1108365	2-1592-DR	1108743	2-1590-DR-2
1100914	20-159-1	1107336	2-1590-DR-2	1108366	2-1590-DR-2	1108743	2-1592-DR
1100915	20-159-1	1107336	2-1592-DR	1108366	2-1592-DR	1108748	2-1593-DR-2
1101104	20-124-1	1107340	2-1590-DR-2	1108367	2-1590-DR-2	1108755	2-1591-DR
1101105	20-124-1	1107340	2-1592-DR	1108367	2-1592-DR	1108755	2-1591-DR-1
1101287	20-125-1	1107352	2-1590-DR-2	1108368	2-1601-DR-2	1108756	2-1591-DR
1101288	20-124-1	1107352	2-1592-DR	1108371	2-1590-DR-2	1108756	2-1591-DR-1
1101289	20-124-1	1107365	2-1595-DR	1108371	2-1592-DR	1108760	2-1590-DR-2
1101691	3-1025-01DR-2	1107367	2-1590-DR-2	1108372	2-1601-DR-2	1108760	2-1592-DR
1101692	3-1018-DR	1107367	2-1592-DR	1108373	2-2591-DR-2	1108762	2-1590-DR-2
1101863	3-1019-DR	1107369	2-1601-DR-2	1108373	2-2592-DR	1108762	2-1592-DR
1101864	3-1019-DR	1107370	2-1590-DR-2	1108374	2-2752-DR-2	1108763	2-1590-DR-2
1101945	3-1019-DR	1107370	2-1592-DR	1108375	2-1590-DR-2	1108763	2-1592-DR
1101951	3-1018-DR	1107374	2-1590-DR-2	1108375	2-1592-DR	1108768	2-1590-DR-2

# PART NUMBER CROSS REFERENCE - OEM TO CATALOG NUMBER

OE NO.	PART NO.	OE NO.	PART NO.	OE NO.	PART NO.	OE NO.	PART NO.
	<b>DELCO</b>		<b>DELCO</b>		<b>DELCO</b>		<b>DELCO</b>
1108768	2-1592-DR	1109364	2-1592-DR	1113274	50-8405	1114073	50-108-2
1108770	2-1590-DR-2	1109369	2-2752-DR-2	1113275	50-8406-2	1114074	50-108-2
1108770	2-1592-DR	1109412	2-1590-DR-2	1113276	50-8407	1114076	50-108-2
1108774	2-1590-DR-2	1109412	2-1592-DR	1113277	50-8421	1114078	50-108-2
1108774	2-1592-DR	1109415	2-1590-DR-2	1113278	50-8406-2	1114080	2-2899-DR
1108775	2-1595-DR	1109415	2-1592-DR	1113279	50-8410	1114081	50-108-2
1108776	2-1593-DR-2	1109416	2-1590-DR-2	1113280	50-8410	1114084	50-108-2
1108777	2-1590-DR-2	1109416	2-1592-DR	1113281	50-8404	1114086	50-108-2
1108777	2-1592-DR	1109482	2-2909-DR	1113282	50-8404	1114088	50-108-2
1108781	2-1593-DR-2	1109482	2-2909-DR-1	1113292	50-8420	1114090	50-108-2
1108782	2-1593-DR-2	1109483	2-2924-DR	1113295	2-1580-DR	1114091	50-108-2
1108784	2-1601-DR-2	1109484	2-2591-DR-2	1113402	50-159-1	1114092	50-108-2
1108787	2-1601-DR-2	1109485	2-2752-DR-2	1113593	50-8407	1114095	50-108-2
1108788	2-1595-DR	1109486	2-1591-DR	1113650	50-159-1	1114096	50-108-2
1108789	2-1590-DR-2	1109486	2-1591-DR-1	1113656	50-159-1	1114097	2-2899-DR
1108789	2-1592-DR	1109487	2-1591-DR	1113672	50-159-1	1114098	50-108-2
1108790	2-1590-DR-2	1109487	2-1591-DR-1	1113842	50-104-2	1114099	50-108-2
1108790	2-1592-DR	1109488	2-1591-DR	1113846	50-104-2	1114106	2-2899-DR
1108791	2-1590-DR-2	1109488	2-1591-DR-1	1113849	50-104-2	1114107	50-108-2
1108791	2-1592-DR	1109489	2-1591-DR	1113850	50-104-2	1114109	50-100-2
1108793	2-1601-DR-2	1109489	2-1591-DR-1	1113851	50-104-2	1114114	50-100-2
1108796	2-1593-DR-2	1109490	2-1591-DR	1113858	50-104-2	1114115	50-108-2
1108797	2-1590-DR-2	1109490	2-1591-DR-1	1113860	50-104-2	1114119	50-108-2
1108797	2-1592-DR	1109492	2-2923-DR	1113866	50-104-2	1114122	50-108-2
1108979	2-1590-DR-2	1109494	50-111	1113872	50-104-2	1114126	50-108-2
1108979	2-1592-DR	1109542	50-8406-2	1113876	50-104-2	1114128	50-108-2
1109024	2-1590-DR-2	1109553	50-111	1113883	50-104-2	1114129	50-100-2
1109024	2-1592-DR	1109567	2-1590-DR-2	1113887	50-104-2	1114130	50-108-2
1109025	2-1593-DR-2	1109567	2-1592-DR	1113901	50-103-2	1114133	50-108-2
1109038	2-1590-DR-2	1109582	2-2908-DR	1113914	50-104-2	1114138	50-100-2
1109038	2-1592-DR	1109597	2-1590-DR-2	1113923	50-103-2	1114140	50-108-2
1109041	2-1590-DR-2	1109597	2-1592-DR	1113928	50-103-2	1114141	50-100-2
1109041	2-1592-DR	1109631	50-111	1113934	50-103-2	1114143	50-108-2
1109052	2-1593-DR-2	1109638	50-111	1113935	50-104-2	1114145	50-108-2
1109057	2-1593-DR-2	1109642	50-111	1113942	50-103-2	1114147	50-108-2
1109059	2-1595-DR	1109643	50-111	1113944	50-104-2	1114148	50-108-2
1109061	2-1590-DR-2	1109647	50-111	1113950	50-103-2	1114149	50-100-2
1109061	2-1592-DR	1109649	50-111	1113951	50-103-2	1114150	50-108-2
1109062	2-1590-DR-2	1109755	50-111	1113952	50-104-2	1114152	50-100-2
1109062	2-1592-DR	1109759	50-111	1113956	50-104-2	1114156	50-100-2
1109063	2-1590-DR-2	1109768	50-111	1113958	50-104-2	1114157	50-108-2
1109063	2-1592-DR	1109771	50-111	1113959	50-103-2	1114158	50-100-2
1109065	2-1593-DR-2	1109772	50-111	1113960	50-103-2	1114162	50-100-2
1109066	2-1593-DR-2	1109774	50-111	1113965	50-104-2	1114164	50-108-2
1109068	2-1593-DR-2	1109775	50-111	1113967	50-103-2	1114165	50-108-2
1109078	2-1601-DR-2	1109776	50-111	1113969	50-103-2	1114167	50-100-2
1109099	2-1601-DR-2	1109777	50-111	1113970	50-104-2	1114169	50-100-2
1109198	50-8404	1109780	50-111	1113971	50-104-2	1114170	50-108-2
1109222	50-111	1109791	50-111	1113973	50-104-2	1114172	50-108-2
1109251	50-8422	1109798	50-111	1113975	50-104-2	1114174	50-100-2
1109253	50-8404	1109839	50-111	1113978	50-104-2	1114175	50-100-2
1109261	50-8404	1109840	50-111	1113980	50-104-2	1114179	50-108-2
1109263	50-8404	1109841	50-111	1113982	50-103-2	1114180	50-108-2
1109272	50-8410	1109842	50-111	1113983	50-104-2	1114185	50-108-2
1109285	50-111	1109845	50-111	1113992	50-103-2	1114186	50-108-2
1109286	50-111	1109846	50-111	1114051	50-108-2	1114187	50-108-2
1109287	50-111	1109961	50-111	1114054	50-108-2	1114188	50-108-2
1109288	50-111	1109965	50-111	1114055	50-108-2	1114190	50-100-2
1109289	50-111	1109972	50-111	1114056	50-108-2	1114193	50-108-2
1109290	50-111	1109979	50-111	1114058	50-108-2	1114194	50-108-2
1109291	50-111	1109985	50-111	1114059	2-2899-DR	1114700	50-108-2
1109292	50-111	1113266	2-1580-DR	1114063	2-2899-DR	1114702	2-2899-DR
1109296	50-111	1113269	2-1580-DR	1114064	50-108-2	1114703	50-100-2
1109298	50-111	1113271	50-8422	1114067	50-108-2	1114705	50-100-2
1109364	2-1590-DR-2	1113272	50-8430	1114072	50-108-2	1114706	50-103-2

# PART NUMBER CROSS REFERENCE - OEM TO CATALOG NUMBER

OE NO.	PART NO.	OE NO.	PART NO.	OE NO.	PART NO.	OE NO.	PART NO.
	<b>DELCO</b>		<b>DELCO</b>		<b>DELCO</b>		<b>DELCO</b>
1114708	50-100-2	1114875	50-104-2	1117260	20-119-1	19136124	50-8407
1114711	50-103-2	1114878	50-104-2	1117261	20-119-1	19136133	2-1593-DR-2
1114712	50-103-2	1114879	50-104-2	1117262	20-119-1	19136156	2-1590-DR-2
1114715	50-104-2	1114880	50-104-2	1117263	20-119-1	19136156	2-1592-DR
1114720	50-108-2	1114882	50-100-2	1117280	1-2301-00DR	19136158	2-1601-DR-2
1114722	50-108-2	1114883	50-100-2	1117611	20-117-1	19136169	2-1590-DR-2
1114723	50-108-2	1114885	50-100-2	1117612	20-117-1	19136169	2-1592-DR
1114724	50-100-2	1114888	50-100-2	1117613	20-117-1	19136220	2-1580-DR
1114725	50-108-2	1114889	50-108-2	1117615	20-118-1	1938508	2-1601-DR-2
1114726	50-108-2	1114890	50-108-2	1117616	20-117-1	1939508	2-1601-DR-2
1114728	50-104-2	1114891	50-108-2	1117618	20-117-1	1977068	2-1590-DR-2
1114729	50-103-2	1114892	50-108-2	1117619	20-118-1	1977068	2-1592-DR
1114730	50-104-2	1114893	50-108-2	1117620	20-117-1	1988602	2-1590-DR-2
1114741	50-108-2	1114894	50-108-2	1117621	20-117-1	1988602	2-1592-DR
1114742	50-103-2	1114895	50-108-2	1117624	20-117-1	1988603	2-1593-DR-2
1114748	50-100-2	1114896	50-108-2	1117628	20-117-1	1988711	2-1590-DR-2
1114749	50-108-2	1114897	50-108-2	1117641	20-117-1	1988711	2-1592-DR
1114750	50-108-2	1114898	50-108-2	1117642	20-118-1	1990212	2-2899-DR
1114751	50-108-2	1114899	50-108-2	1117643	20-118-1	1990219	50-100-2
1114752	50-108-2	1114900	50-108-2	1117645	20-118-1	1990221	50-100-2
1114753	50-100-2	1114901	50-108-2	1117801	20-1163-1	1990229	50-111
1114754	50-100-2	1114903	50-104-2	1117805	20-132-1	1990231	50-111
1114755	50-104-2	1114905	50-103-2	1117809	20-1163-1	1990235	50-111
1114756	50-104-2	1114906	50-108-2	1117811	20-1163-1	1990237	50-111
1114761	50-108-2	1114910	50-103-2	1117812	20-1163-1	1990239	50-111
1114762	50-104-2	1114911	50-100-2	1117813	20-1163-1	1990248	50-111
1114765	50-100-2	1114913	50-108-2	1117816	20-1163-1	1990249	50-111
1114766	50-108-2	1114916	50-104-2	1117820	20-1163-1	1990250	50-111
1114767	50-103-2	1114917	50-103-2	1117821	20-132-1	1990251	50-111
1114769	50-108-2	1114923	50-104-2	1117830	20-1163-1	1990259	50-111
1114777	50-103-2	1114928	50-108-2	1117831	20-132-1	1990260	50-111
1114791	50-100-2	1114930	2-2899-DR	1117836	20-132-1	1990262	50-111
1114795	50-108-2	1114933	50-100-2	1117838	20-132-1	1990263	50-111
1114802	50-100-2	1114935	50-104-2	12301329	50-8422	1990264	50-111
1114805	50-103-2	1114945	50-103-2	12301334	2-1760-DR-2	1990269	50-111
1114808	2-2899-DR	1114947	50-104-2	12301341	50-8404	1990270	50-111
1114811	50-108-2	1114950	50-104-2	12301389	50-159-1	1990271	50-111
1114812	50-108-2	1114951	50-104-2	12304044	2-1590-DR-2	1990273	50-111
1114814	50-108-2	1114961	50-108-2	12304044	2-1592-DR	1990274	50-111
1114815	50-108-2	1114963	50-104-2	12304203	2-1590-DR-2	1990276	50-111
1114816	50-108-2	1114964	50-104-2	12304203	2-1592-DR	1990297	50-103-2
1114819	50-108-2	1114967	50-100-2	12304989	2-1590-DR-2	1990323	50-108-2
1114824	50-100-2	1114970	50-104-2	12304989	2-1592-DR	1990324	50-103-2
1114825	50-100-2	1114977	50-100-2	1876555	2-1593-DR-2	1990337	50-153-2
1114827	50-100-2	1114981	50-104-2	1894140	2-1590-DR-2	1990343	50-103-2
1114828	50-100-2	1114985	50-108-2	1894140	2-1592-DR	1990344	50-151-2
1114832	50-100-2	1114986	50-100-2	19010003	1-2301-00DR	1990348	50-153-2
1114834	50-100-2	1114987	50-104-2	19010009	1-2301-00DR	1990349	2-2471-DR
1114842	50-104-2	1114989	50-103-2	19010019	1-2301-00DR	1990352	50-153-2
1114843	50-103-2	1117069	20-178-1	19010615	2-2752-DR-2	1990353	50-150-2
1114844	50-104-2	1117225	20-119-1	19010617	2-2592-DR	1990354	50-153-2
1114845	50-103-2	1117227	20-119-1	19020600	1-2483-01DR	1990358	50-153-2
1114846	50-104-2	1117228	20-119-1	19020601	1-2485-01DR	1990359	50-152-2
1114848	50-104-2	1117231	20-119-1	19020604	1-2483-01DR	1990361	50-151-2
1114849	50-104-2	1117234	20-119-1	19020606	1-3045-01DR	1990362	50-150-2
1114850	50-104-2	1117238	20-178-1	19020608	1-2484-01DR	1990363	50-153-2
1114852	50-104-2	1117240	20-119-1	19020609	1-2485-01DR	1990367	50-151-2
1114853	50-104-2	1117241	20-119-1	19020611	1-2837-01DR-2	1990368	50-151-2
1114854	50-104-2	1117242	20-119-1	19020612	1-2837-01DR-2	1990370	50-150-2
1114855	50-104-2	1117244	20-119-1	19020616	1-2996-01DR	1990372	2-2471-DR
1114856	50-103-2	1117249	20-178-1	19020617	1-3045-02DR	1990375	50-153-2
1114857	50-103-2	1117251	20-119-1	19020703	1-2487-01DR	1990376	50-153-2
1114862	50-103-2	1117255	20-119-1	19020704	1-2486-01DR	1990378	50-151-2
1114873	50-104-2	1117256	20-178-1	19020706	1-2487-01DR	1990379	50-150-2
1114874	50-104-2	1117259	20-119-1	19020707	1-2486-01DR	1990382	50-151-2

# PART NUMBER CROSS REFERENCE - OEM TO CATALOG NUMBER

OE NO.	PART NO.	OE NO.	PART NO.	OE NO.	PART NO.	OE NO.	PART NO.
<b>DELCO</b>		<b>DELCO</b>		<b>DELCO</b>		<b>FENNER STONE</b>	
1990383	50-151-2	1993816	50-153-2	9000821	2-1691-DR-2	1785-AC	82-7851
1990384	50-151-2	1993820	50-150-2	9000822	2-1760-DR-2	1787-AC	82-7851
1990385	50-150-2	1993823	50-153-2	9000839	2-1999-DR-2	1789-AC	82-6885
1990386	50-153-2	1993825	50-111	9000839	2-1999-DR-3	1931-AC	82-7851
1990387	50-150-2	1993840	50-111	9000839	2-1999-MD	1997-AC	82-6885
1990388	50-151-2	1993841	50-111	9000840	2-1999-DR-2	2529-AB	82-7852
1990390	50-151-2	1993842	50-151-2	9000840	2-1999-DR-3	2529-AC	82-7852
1990392	50-153-2	1993852	50-111	9000840	2-1999-MD	2869-AB	82-7852
1990395	2-2910-DR	1993856	2-2471-DR	9000855	2-2580-DR		
1990398	50-153-2	1993924	50-151-2	9000884	2-1999-DR-2	<b>FIAT ALLIS</b>	
1990399	50-150-2	1993975	50-153-2	9000884	2-1999-DR-3	70620350	50-111
1990400	50-153-2	1993978	50-151-2	9000884	2-1999-MD	70620382	50-104-2
1990403	50-150-2	1993985	50-153-2	9000885	2-2323-DR-2	70622235	50-104-2
1990409	50-151-2	1998211	2-1593-DR-2	9000885	2-2323-DR-3	70675686	50-111
1990410	50-151-2	1998213	2-1590-DR-2	9000887	2-2894-DR	70697811	50-111
1990412	50-151-2	1998213	2-1592-DR	9000888	2-2361-DR	73061273	50-104-2
1990418	50-151-2	1998217	2-1593-DR-2	9000888	2-2361-DR-2	73069398	50-104-2
1990420	50-153-2	1998222	2-1593-DR-2	9000895	2-2322-DR-2	73113742	20-118-1
1990422	50-151-2	1998223	2-1593-DR-2	9000895	2-2322-DR-3	73114229	50-111
1990423	50-153-2	1998227	2-1590-DR-2	9000895	2-2322-DR-3	73116947	50-104-2
1990424	50-153-2	1998227	2-1592-DR	9000974	2-2580-DR	73117237	50-104-2
1990425	50-150-2	1998256	2-1601-DR-2	<b>DETROIT DIESEL</b>			
1990429	50-150-2	1998275	2-1601-DR-2	R0459153	20-127-1	73119134	20-118-1
1990430	2-2910-DR	1998314	2-2909-DR	R0461125	50-111	73130192	50-103-2
1990433	50-152-2	1998314	2-2909-DR-1	R0461126	50-153-2	73130194	50-104-2
1990436	2-3142-DR	1998315	2-2591-DR-2	R0461127	50-153-2	73130195	50-104-2
1990437	50-151-2	1998316	2-2752-DR-2	R0461127	50-108-2	73130196	50-111
1990441	50-150-2	1998317	2-1591-DR	R0461178	50-108-2	73130197	50-111
1990443	50-150-2	1998317	2-1591-DR-1	R0461179	50-104-2	73130198	50-111
1990444	50-151-2	1998318	2-1591-DR	R0461184	50-151-2	73130625	50-104-2
1990453	50-152-2	1998318	2-1591-DR-1			73130627	50-111
1990456	50-151-2	1998330	50-8404	<b>DEUTZ</b>			
1990457	50-152-2	1998334	50-8410	11180180	2-1946-B0	<b>FISHER</b>	
1990460	50-151-2	1998334	50-8410	1161422	50-9110-1	A5819	82-6852
1990461	50-151-2	1998342	50-8404	1173241	50-9110-1	A5819	82-6889
1990465	50-153-2	1998376	50-8404	1177441	2-1925-B0	<b>FORCE</b>	
1990467	50-150-2	1998404	2-2591-DR-2	1178670	2-1925-B0	50-514955	2-3148-UT
1990467	50-150-2	1998405	2-2591-DR-2	12850029	50-150-2	50-583869	2-2082-UT
1990468	50-153-2	1998408	50-8407	1302023	50-9110-1	50-583869-T	2-2082-UT
1990470	50-153-2	1998423	50-8407	B17R24X4	50-9110-1	50-616955-1	2-2082-UT
1990471	50-150-2	1998456	50-8407			50-819271	2-2165
1990475	50-153-2	1998457	50-8407	<b>DUCELLIER</b>			
1990477	50-153-2	1998460	2-2591-DR-2	6185	2-1469-VA	50-820193	2-2164
1990478	50-153-2	1998473	2-1601-DR-2	<b>ETON</b>			
1990480	50-150-2	1998480	50-8404	650239	2-2498	50-820193-1	2-2164
1990483	50-153-2	1998490	50-8407	650511	2-2898-MT	50-820193A1	2-2165
1990485	50-151-2	1998566	2-2909-DR	<b>EUCLID</b>			
1990492	50-150-2	1998566	2-2909-DR-1	E820107X	20-118-1	50-820193-T1	2-2164
1990493	50-151-2	1998569	2-2909-DR	E820117X	20-127-1	61-6955	2-2082-UT
1990495	50-153-2	1998569	2-2909-DR-1	E820135X	20-132-1	F17556	82-6899
1990496	50-150-2	1998570	2-2909-DR	E-821104X	50-8407	F17556	82-6899-1
1990497	50-152-2	1998570	2-2909-DR-1	E-821124X	50-153-2	F17563	82-6899
1993700	50-104-2	1998592	2-1601-DR-2	E-821126X	50-151-2	FK654541	82-6899-1
1993703	50-100-2	1998599	2-2591-DR-2	E-821131X	50-152-2	FK654541	82-6899-1
1993704	50-103-2	26925202A	2-2752-DR-2	E821132X	50-111	<b>FORD</b>	
1993783	50-150-2	26925230A	2-2592-DR			C0DF-11001-A	2-1674-FD
1993802	50-151-2	8000108	2-1691-MD	<b>EZ-GO</b>			
1993803	50-153-2	8000282	2-1999-DR-2	25533-G01	3-1013-01HI-1	C0DF-11001-D	2-1674-FD
1993804	50-152-2	8000282	2-1999-DR-3	26993-G01	3-1013-01HI-1	C1VF-11001-D	2-1674-FD
1993805	50-151-2	8000282	2-1999-MD	27065-G01	3-1013-01HI-1	C2VF-11001-C	2-1674-FD
1993806	50-150-2	88863065	2-1593-DR-2			C2VY-11002-A	2-1674-FD
1993807	50-153-2	9000762	2-1691-DR-2	<b>FENNER STONE</b>			
1993809	50-152-2	9000768	2-1691-DR-2	1175-AC	82-7851	C30F-11001-B	2-1674-FD
1993810	50-151-2	9000789	2-1691-DR-2	1185-AC	82-7851	C30Z-11002-C	2-1674-FD
1993813	2-2471-DR	9000819	2-1691-DR-2			C3VF-11001-A	2-1674-FD
1993814	50-152-2	9000820	2-1760-DR-2			C40F-11001-B	2-1674-FD
						C4TF-11000-A	50-104-2
						C4TF-11001-B	2-1674-FD

# PART NUMBER CROSS REFERENCE - OEM TO CATALOG NUMBER

OE NO.	PART NO.	OE NO.	PART NO.	OE NO.	PART NO.	OE NO.	PART NO.
<b>FORD</b>		<b>FORD</b>		<b>GENERAC</b>		<b>HINO</b>	
C4TZ-11002-A	50-104-2	D7HZ-10346-D	20-119-1	0C3017	2-2782-DR-2	28100-1670A	2-2276-ND
C4TZ-11002-B	2-1674-FD	D8FF-11001-DA	2-2900-FD	0C3017	2-2782-VA-2	28100-1671A	2-2276-ND
C4VF-11001-A	2-1674-FD	D8FF-11001-EA	2-2901-FD	0E4271	2-2782-DR-2	28100-1672A	2-2276-ND
C5AF-11001-A	2-1674-FD	D8FF-11001-EA	2-2904-FD	0E4271	2-2782-VA-2	28100-1930A	2-2709-ND-2
C5TF-11000-A	50-108-2	D8HZ-11002-C	50-111	0E42710ESV	2-2782-DR-2	28100-1931A	2-2709-ND-2
C5TZ-11002-C	50-108-2	D8NN-11000-CA	50-9200	0E42710ESV	2-2782-VA-2	28100-1960A	2-2709-ND-2
C6AF-11001-A	2-1674-FD	D8NN-11000-CA	50-9200-1	0E42710SRV	2-2782-DR-2	28100-1961	2-2709-ND-2
C6AZ-11002-A	2-1674-FD	D8NN-11000-CB	50-9200	0E42710SRV	2-2782-VA-2		
C6NF-11000-A	50-9200	D8NN-11000-CB	50-9200-1	0E9323	2-2782-DR-2		
C6NF-11000-A	50-9200-1	D8NN-11000-CE	50-9200	0E9323	2-2782-VA-2	<b>HITACHI</b>	
C6TF-11000-A	50-108-2	D8NN-11000-CE	50-9200-1	72881	2-2407	G113-01A	3-1016-HD
C6TF-11000-C	50-108-2	D9NN-11000-AA	2-2026-HI	75255	2-2191	G113-01A	3-1016-HD-1
C6TZ-11002-E	50-108-2	D9PZ-11002-A	50-100-2	75255-A	2-2191	GSB107-01	3-1015-01HI-1
C6VF-11001-A	2-1674-FD	E2HT-11001-DA	50-111	C2881	2-2407	GSB107-01A	3-1015-01HI-1
C6VF-11002-A	2-1674-FD	E2HZ-11002-A	50-100-2	C2881-A	2-2407	GSB107-02	3-1017-01HI
C6VY-11002-A	2-1674-FD	E3HZ-11002-A	50-111	C3017	2-2782-DR-2	GSB107-04A	3-1015-01HI-1
C6VY-11002-B	2-1674-FD	E3HZ-11002-B	50-111	C3017	2-2782-VA-2	GSB107-06	3-1012-01HI-1
C7AF-11001-A	2-1674-FD	E3HZ-11002-C	50-111	E4271	2-2782-DR-2	GSB107-06B	3-1014-01HI-1
C7AF-11001-C	2-1674-FD	E3TF-11000-AA	50-8407	E4271	2-2782-VA-2	GSB107-06E	3-1012-01HI-1
C7AF-11001-E	2-1674-FD	E3TZ-11002-B	50-8407	E4271	2-2782-VA-2	GSB107-06F	3-1007-01HI-1
C7NN-11000-A	50-9200	E4TF-11000-AA	50-8407	E9323	2-2782-DR-2	GSB107-10B	3-1013-01HI-1
C7NN-11000-A	50-9200-1	E6HT-11001-AA	50-100-2	E9323	2-2782-VA-2	GSB107-10C	3-1013-01HI-1
C7NN-11000-B	50-9200	E6HT-11001-CA	50-153-2			LR135-105	1-2820-01HI-2
C7NN-11000-B	50-9200-1	E6HZ-11002-A	50-100-2	<b>GRAVELY</b>		LR140-708	1-2494-01HI
C7OF-11001-A	2-1674-FD	E6HZ-11002-B	50-100-2	032546	2-2083-UT	LR140-708	1-2494-01HI-1
C8AF-11001-A	2-1674-FD	E6HZ-11002-C	50-153-2	042404	2-2175-UT	LR140-708C	1-2494-01HI
C8AZ-11002-A	2-1674-FD	E6HZ-11002-D	50-153-2	049247	2-2246	LR140-708C	1-2494-01HI-1
C8TF-11000-C	50-100-2	E7HS-10346-AA	20-1163-1			LR140-714	1-2315-01HI
C8TZ-11002-B	50-100-2	E7HT-10300-CA	20-119-1	<b>HARLEY DAVIDSON</b>		LR140-714B	1-2315-01HI
C9AF-11001-B	2-1674-FD	E7HZ-10346-A	20-119-1	29975-65A	3-1016-HD	LR140-721C	1-2315-01HI
D0AF-11001-A	2-1674-FD	E8HT-11001-AA	2-2471-DR	29975-65A	3-1016-HD-1	LR180-03A	1-2874-01HI
D0AF-11001-E	2-1674-FD	E8HZ-10346-K	20-502-1	29975-65B	3-1016-HD	LR180-03B	1-2874-01HI
D0NN-11000-A	50-9200	E8HZ-11002-A	2-2471-DR	29975-65B	3-1016-HD-1	LR180-03C	1-2874-01HI
D0NN-11000-A	50-9200-1	E8HZ-11002-HA	2-2471-DR	29978-77A	3-1016-HD	S106-07B	2-2452-HI-2
D0NN-11000-B	50-9200	E9HS-10300-BA	20-1163-1	29978-77A	3-1016-HD-1	S106-07E	2-2452-HI-2
D0NN-11000-B	50-9200-1	FOHT-10300-AA	20-1163-1	31458-66A	2-1766-HD	S106-07F	2-2452-HI-2
D0OF-11001-A	2-1674-FD	FOHT-10300-EA	20-1163-1	31458-66A	2-1766-HD-1	S106-12	2-2452-HI-2
D0TF-11001-A	2-1674-FD	FOHT-11001-AA	50-153-2	31458-66B	2-1766-HD	S106-12A	2-2452-HI-2
D2AF-11001-BA	2-1674-FD	FOHT-11001-AB	50-153-2	31458-66B	2-1766-HD-1	S106-12B	2-2452-HI-2
D2OF-11001-AA	2-1674-FD	FOHZ-10346-H	20-1163-1	31458-66TA	2-1766-HD	S108-102	2-2920-MT
D2OF-11001-BA	2-1674-FD	FOHZ-11002-A	50-153-2	31458-66TA	2-1766-HD-1	S108-102A	2-2920-MT
D2TF-11001-AA	2-1674-FD	F6HT-11001-AA	50-153-2	31553-90	2-2169-ND	S108-102B	2-2920-MT
D2TF-11001-BA	2-1674-FD	F6HT-11001-BA	2-2471-DR	31553-90	2-2169-ND-4	S108-112	2-2168-HI
D3TF-11001-BA	50-108-2	F6HT-11001-GA	50-153-2	31553-94	2-1931-ND	S108-116	2-2130-HI
D4HF-10300-A	20-119-1	F6HZ-11002-AA	50-153-2	31553-94	2-1931-ND-4	S108-120	2-2168-HI
D4HF-10300-AA	20-119-1	F6HZ-11002-BA	2-2471-DR	31558-90	2-2169-ND	S108-41	2-1767-HD
D4HF-10300-C	20-119-1	F6HZ-11002-GA	50-153-2	31558-90	2-2169-ND-4	S108-41	2-1767-HD-1
D4HF-10346-C	20-119-1	F7HT-10300-AA	20-502-1	31559-99A	2-1931-ND	S108-56	2-2010-HI
D4HF-10346-CA	20-119-1	F7HT-10300-HA	20-502-1	31559-99A	2-1931-ND-4	S108-61	2-2130-HI
D4HZ-10346-A	20-119-1	F7HZ-10346-A	20-119-1	31570-73	2-1767-HD	S108-61A	2-2130-HI
D4NN-11000-B	50-9200	F7HZ10346AA	20-119-1	31570-73	2-1767-HD-1	S108-61B	2-2130-HI
D4NN-11000-B	50-9200-1	SBA18504-6320	1-2480-01MI	31570-73B	2-1767-HD	S108-61C	2-2130-HI
D4TZ-11002-A	50-108-2	SBA18508-6050	2-2317-HI	31570-73B	2-1767-HD-1	S108-61D	2-2130-HI
D4TZ-11002-B	50-108-2	SBA18508-6051	2-2317-HI	31570-73T	2-1767-HD	S108-61E	2-2130-HI
D4TZ-11002-E	50-100-2	SBA18508-6052	2-2317-HI	31570-73T	2-1767-HD-1	S108-61F	2-2130-HI
D4TZ-11002-F	50-100-2	SBA18508-6321	2-2007-HI	31570-89	2-1791-ND	S108-61G	2-2130-HI
D5FF-11001-AA	2-2900-FD	SBA18508-6321	2-2007-HI	31570-89A	2-1791-ND	S108-76A	2-1775-HI
D6BF-11001-BA	2-1674-FD	SBA18508-6340	2-1032-ND	31619-06	2-2861-ND	S108-76B	2-1775-HI
D6DZ-11002-B	2-1674-FD	SBA18508-6520	2-2732-ND-2	31621-06	2-2861-ND-1	S108-80	2-2309-HI
D6TF-11001-AA	2-1674-FD	SBA18508-6530	2-2732-ND-2	31702-98	2-1931-ND	S108-80A	2-2309-HI
D6TF-11001-BA	2-1674-FD	SBA18508-6550	2-2569-MI			S108-80B	2-2309-HI
D6TF-11001-EA	2-1674-FD	SBA18508-6551	2-2569-MI			S108-87A	2-2516-HI
D6TZ-11002-A	2-1674-FD			<b>HATZ</b>		S108-94	2-2168-HI
D6TZ-11002-B	2-1674-FD	<b>GENERAC</b>		50316401	2-2362-BO	S108-97	2-2310-HI
D7HZ-10346-A	20-119-1	075255	2-2191	<b>HINO</b>		S108-97A	2-2310-HI
		0C2881	2-2407	28100-1670	2-2276-ND	S108-99A	2-2505-HI

# PART NUMBER CROSS REFERENCE - OEM TO CATALOG NUMBER

OE NO.	PART NO.	OE NO.	PART NO.	OE NO.	PART NO.	OE NO.	PART NO.
<b>HITACHI</b>		<b>HITACHI</b>		<b>HONDA</b>		<b>INTERNATIONAL</b>	
S114-203	2-2013-HI	S13-41	2-2016-HI	31200-MR5-008	2-2895-MT	523579C91	50-108-2
S114-213	2-2011-HI	S13-41A	2-2016-HI	31200-MR5-018	2-2895-MT	524023C91	20-178-1
S114-213A	2-2011-HI	S13-41B	2-2016-HI	31200-MR5-028	2-2895-MT	527888C91	50-151-2
S114-220	2-2272	S13-41C	2-2016-HI	31200-MR5-038	2-2895-MT	528012R91	50-159-1
S114-221	2-2272	S13-41D	2-2016-HI	31200-VM0-003	2-2745-MT-2	530692C91	50-108-2
S114-221E	2-2272	S13-61	2-2026-HI	31200-ZA0-701	2-2641-ND	586986C91	20-117-1
S114-221F	2-2272	S13-61A	2-2026-HI	31200-ZA1-003	2-2641-ND	590071C91	20-124-1
S114-221G	2-2272	S13-78	2-2016-HI	31200-ZF5A-L310	2-2946	596493R92	50-8404
S114-221H	2-2272	S13-94	2-2728-HI-2	31200-ZF5-L32	2-2946	597219C91	50-150-2
S114-221J	2-2272	S13-94A	2-2728-HI-2	31200-ZH9-003	2-2942-ND	597220C91	50-150-2
S114-230	2-2015-HI			31200-ZJ1-004	2-2663-UT	627589C91	50-104-2
S114-230A	2-2015-HI	<b>HONDA</b>		31200-ZJ1-841	2-2747-ND-2	673782C91	50-103-2
S114-237	2-2893-VA	31100-MCA-003	1-2952-01MI	31200-ZJ1-842	2-2747-ND-2	673796C92	50-150-2
S114-257	2-1916-HI-1	31100-MCA-7000	1-2952-01MI	31200-ZJ1A-0040	2-2663-UT	680559R91	50-159-1
S114-257G	2-1916-HI-1	31100-MT2-005	1-2494-01HI	31200-ZJ4-003	2-2663-UT	683594C91	20-127-1
S114-263B	2-2517-HI	31100-MT2-005	1-2494-01HI-1	31200-ZJ4-831	2-2944-ND	690400C91	50-104-2
S114-303	2-1872-HI	31100-MT2-015	1-2494-01HI	31200-ZV5-003	2-2316-HI	690644C92	50-103-2
S114-303A	2-1872-HI	31100-MT2-015	1-2494-01HI-1	31200-ZV5-0130	2-2316-HI	729912C91	50-111
S114-323	2-2167-HI	31200-463-008	2-2208	31200-ZV5A-0130	2-2316-HI	739911C91	50-111
S114-323A	2-2167-HI	31200-463-405	2-2208	31200-ZW1-004	2-2665-MI	755496C91	50-104-2
S114-323B	2-2167-HI	31200-HA0-004	2-2180-MT	31200-ZW1A-0040	2-2665-MI	777525C91	50-108-2
S114-323C	2-2167-HI	31200-HA0-682	2-2180-MT	31200-ZW5-003	2-2664-MI	782685C91	50-108-2
S114-381	2-2007-HI	31200-HA0-773	2-2181-MT	31200-ZW5-0030	2-2664-MI	786086C91	50-108-2
S114-414	2-2008-HI	31200-HA0-774	2-2181-MT	31200-ZW5A-0032	2-2664-MI	78669C91	2-2642-UT
S114-414A	2-2008-HI	31200-HA6-306	2-2181-MT	31210-ZA0-982	2-2943-MT	844319C91	20-119-1
S114-415	2-2313-HI	31200-HA6-316	2-2181-MT	31210-ZA0-983	2-2943-MT	875755R91	50-108-2
S114-415A	2-2313-HI	31200-HA6-682	2-2180-MT	31210-ZB8-0130	2-2688-ND	989969C91	50-151-2
S114-437	2-2314-HI	31200-HA6-773	2-2181-MT	31210-ZE1-023	2-2742-MT-2	989969R91	50-104-2
S114-443	2-1948-HI	31200-HA6-774	2-2181-MT	31210-ZE3-013	2-2688-ND	998504R91	20-124-1
S114-443A	2-1948-HI	31200-HA7-305	2-2179-MT	31210-ZE3-023	2-2688-ND		
S114-483	2-1916-HI-1	31200-HA7-315	2-2179-MT	36120-ZV5-821	82-6893	<b>ISHIKAWAJIMA</b>	
S114-483A	2-1916-HI-1	31200-HA7-771	2-2182-MT	AHGA52	1-2952-01MI	18504-6320	1-2480-01MI
S114-551	2-2315-HI	31200-HA7-772	2-2182-MT	DB5B6	2-2688-ND	18508-6050	2-2317-HI
S114-551A	2-2315-HI	31200-HA7-773	2-2182-MT	DB5B8	2-2688-ND	18508-6051	2-2317-HI
S114-552	2-2518-HI	31200-HC4-003	2-2181-MT	DDWD8	2-2747-ND-2	18508-6052	2-2317-HI
S114-552A	2-2518-HI	31200-HC4-013	2-2181-MT	DDWD9	2-2944-ND	18508-6321	2-2007-HI
S114-555	2-2312-HI	31200-HC4-023	2-2181-MT	<b>INTERNATIONAL</b>			
S114-559B	2-2506-HI	31200-HC4-033	2-2181-MT	1243060H91	20-118-1	18508-6340	2-1032-ND
S114-561	2-2316-HI	31200-HE0-003	2-2185-MT	1286822H91	20-118-1	18508-6520	2-2732-ND-2
S114-613	2-2738-HI-2	31200-HE0-013	2-2185-MT	260493C91	50-151-2	18508-6530	2-2732-ND-2
S114-613A	2-2738-HI-2	31200-HF1-013	2-2897-MT	262762C91	50-108-2	18508-6550	2-2569-MI
S114-651	2-2008-HI	31200-HM3-671	2-2184-MT	263819C91	50-153-2	18508-6551	2-2569-MI
S114-651A	2-2008-HI	31200-HM7-A41	2-2543-MT-2	307822R92	50-104-2	<b>ISKRA</b>	
S114-653	2-1948-HI	31200-HM8-003	2-2178-MT	313979R92	50-104-2	11.130.627	2-2085-BO
S114-653A	2-1948-HI	31200-HM8-A41	2-2178-MT	313979R93	50-151-2	11.201.746	1-2525-01VA
S114-653B	2-1948-HI	31200-HN1-000	2-2798-MT-2	317941R92	50-104-2	11.201.939	1-2525-01VA
S114-656	2-2013-HI	31200-HN2-003	2-2791-MT-2	383290091	20-119-1	11-212-981	82-7852
S114-656A	2-2013-HI	31200-HN5-671	2-2764-MT-2	383290C91	20-119-1	AAK1383	1-2525-01VA
S114-660	2-2518-HI	31200-HN5-A81	2-2764-MT-2	394906R91	50-159-1	AAK3334	1-2525-01VA
S114-660A	2-2518-HI	31200-HN5-M01	2-2764-MT-2	412732C91	50-108-2	AZJ3201	2-2085-BO
S114-660B	2-2518-HI	31200-HN7-003	2-2799-MT-2	415515C91	50-108-2	<b>ISUZU</b>	
S114-667	2-2313-HI	31200-HW1-671	2-2273	423103C91	20-124-1	5811001660	2-1193-ND
S114-673	2-2314-HI	31200-MAA-008	2-2896-MT	424430C91	20-124-1	5811001661	2-1193-ND
S114-674	2-2315-HI	31200-MB0-405	2-2964	430138C91	50-150-2	5811001662	2-1193-ND
S114-677	2-2316-HI	31200-MCK-U51	2-2895-MT	431481C91	50-108-2	5811001663	2-1193-ND
S114-815	2-2009-HI	31200-MG8-008	2-2896-MT	431481R91	50-108-2	5811001664	2-1193-ND
S114-815A	2-2009-HI	31200-MG8-018	2-2896-MT	439677R91	50-104-2	8944104090	2-2006-HI
S114-828B	2-2451-HI-2	31200-MG9-004	2-2759-MT-2	4500732R91	50-8404	<b>JCB</b>	
S114-836A	2-2519-HI	31200-MG9-405	2-2759-MT-2	462588C91	50-111	714/29500R	2-2340-LU
S114-838A	2-2739-HI-2	31200-MG9-406	2-2275	489716C91	50-151-2	714/36700	2-1032-ND
S12-62	2-2317-HI	31200-MG9-505	2-2759-MT-2	489717C91	50-111	<b>JOHN DEERE</b>	
S12-84	2-2301-LU	31200-MG9-681	2-2275	510275C91	50-108-2	AH76330	2-1601-DR-2
S13-111	2-2006-HI	31200-MM8-008	2-2896-MT	511146C91	20-119-1		
S13-124	2-2728-HI-2	31200-MN0-008	2-2964	522458C91	50-108-2		
S13-132	2-2728-HI-2	31200-MN0-018	2-2964				



# PART NUMBER CROSS REFERENCE - OEM TO CATALOG NUMBER

OE NO.	PART NO.	OE NO.	PART NO.	OE NO.	PART NO.	OE NO.	PART NO.
<b>JOHN DEERE</b>		<b>JOHN DEERE</b>		<b>JOHN DEERE</b>		<b>KAWASAKI</b>	
AM102567	2-2644-ND	AM880733	1-2315-01HI	RE68470	2-1750-ND	21163-2073	2-2648-ND
AM102628	2-2740-ND-2	AMJ7869	2-2129-UT	RE69704	2-2726-ND-2	21163-2073A	2-2648-ND
AM104123	2-1554-MI-1	AR34406	50-159-1	RE70474	2-2973-ND	21163-2077	2-2643-ND
AM104504	2-2668-MI	AR41627	2-2276-ND	RE70960	2-2973-ND	21163-2081	2-2644-ND
AM104505	2-1554-MI-1	AR41627	50-159-1	RE70975	2-2726-ND-2	21163-2089	2-1785-ND
AM104559	2-2648-ND	AR55638	50-159-1	RE79474	2-2973-ND	21163-2093	2-2727-ND-2
AM105575	2-2643-ND	AR55639	2-2276-ND	SE501425	2-1750-ND	21163-2101	2-2646-ND
AM106883	2-2191	AR62267	50-159-1	SE501844	2-3005-BO	21163-2106	2-1775-HI
AM107206	2-2644-ND	AR66424	50-8422	TY1454	2-1601-DR-2	21163-2109	2-2667-ND
AM107631	2-2022-ND	AR77254	2-2276-ND	TY1458	50-8422	21163-2112	2-1775-HI
AM108390	2-2022-ND	AT18150	50-8422	TY24303	50-8430	21163-2114	2-2035-ND
AM108615	2-2727-ND-2	AT25619	50-8422	TY24305	50-8438	21163-2118	2-2035-ND
AM108722	2-1193-ND	AW26844	2-1785-ND	TY24437	2-2926-ND	21163-2124	2-2746-ND-2
AM109263	2-2668-MI	C420-888-991	2-2999-MT	TY24438	2-1750-ND	21163-2132	2-2646-ND
AM109408	2-2646-ND	CH12084	2-2705-ND-2	TY24439	2-2726-ND-2	21163-3003F	2-2130-HI
AM117130	2-2756-UT-2	CH12741	2-2705-ND-2	TY24441	2-2973-ND	21163-3003G	2-2130-HI
AM120729	2-2756-UT-2	CH19284	2-2705-ND-2	TY25960	2-2276-ND	21163-3003YR	2-2130-HI
AM120843	2-1775-HI	FGL5840089	2-2362-BO	TY25967	2-2043-ND	21163-3702	2-2148
AM122337	2-2188	GV11567	2-1193-ND	TY25971	2-1750-ND	21163-3709	2-2148
AM122435	2-2241	HE191-1567	2-2642-UT	TY25972	2-2926-ND	21163-3710	2-2130-HI
AM124993	2-2022-ND	HE191-1828	2-2947	TY25994	50-8422	21163-3711	2-2130-HI
AM125672	3-1007-01HI-1	LG490420	2-2191	TY26035	2-1601-DR-2	21163-3712	2-2148
AM127877	2-2945-ND	LG497401	2-2191	TY6614	50-8422	21163-3714	2-2148
AM130407	2-2756-UT-2	LG497595	2-2188	TY6617	2-2276-ND	21163-3715	2-2274
AM131296	2-2022-ND	LG499521	2-2191	TY6620	50-8422	21163-3719	2-2274
AM132702	2-2022-DR	LG691262	2-2191	TY6648	2-2705-ND-2	21163-5031	2-2130-HI
AM132818	2-2756-UT-2	M143512	2-2407	TY6667	50-159-1	21163-7001	2-2432-UT
AM133636	2-2945-ND	M802137	2-2738-HI-2	TY6673	2-2705-ND-2	21163-7002	2-2945-ND
AM133646	2-2744-ND-2	MIA10946	2-2646-ND	TY6688	2-1750-ND	21163-7004	2-2744-ND-2
AM133730	3-1007-01HI-1	MIA10971	2-2035-ND	TY6693	2-1601-DR-2	21163-7007	2-2963
AM134946	2-2743-ND-2	MIA11408	2-2945-ND	TY6702	50-8422	21163-7010	2-2432-UT
AM135707	3-1007-01HI-1	MIA11473	2-2022-DR	TY6710	50-159-1	21163-7014	2-2945-ND
AM30931	2-2194	MIA11564	2-2963	TY6713	2-2276-ND	21163-7015	2-2744-ND-2
AM31568	2-2129-UT	MIU11006	2-2963	TY6715	2-2705-ND-2	21163-7020	2-2743-ND-2
AM31754	2-2128-UT	RE10321	50-108-2	TY6719	2-1750-ND	21163-7022	2-2432-UT
AM32092	2-2247	RE10464	50-111	TY6723	50-108-2	21163-7026	2-2945-ND
AM32789	2-2129-UT	RE13722	2-2276-ND	TY6728	50-153-2	21163-7029	2-2432-UT
AM32853	2-2128-UT	RE19187	50-8422	TY6730	50-150-2	21163-7031	2-2963
AM34248	2-2129-UT	RE19275	2-1750-ND	TY6787	2-2043-ND	21163-S003	2-2186-MT
AM3424B	2-2129-UT	RE24305	50-153-2			316611-8310-BA	2-1775-HI
AM34361	2-2128-UT	RE38633	50-150-2	<b>JOHNSON ELECTRIC</b>			
AM34731	2-2247	RE40092	2-2926-ND	0814240	2-2074-UT	<b>KOHLER</b>	
AM34753	2-2127-UT	RE41754	50-153-2	0996340	2-2157	12-098-03	2-2022-ND
AM34888	2-2129-UT	RE41756	50-150-2	10153340	2-2788-UT-2	12-098-04	2-2241
AM37032	2-2129-UT	RE41799	2-1750-ND	10153440	2-2252	12-098-05	2-2242
AM37352	2-2188	RE41875	2-2276-ND	10153440	2-2797-2	12-098-06	2-2242
AM37725	2-2127-UT	RE50095	50-8422	10599640	2-2796-2	12-098-08	2-2241
AM37869	2-2129-UT	RE501680	2-2294-VA	6743040	2-2252	12-098-09	2-2242
AM38013	2-2245	RE501693	2-2294-VA			12-098-10	2-2756-UT-2
AM38136	2-2191	RE502156	2-2294-VA	<b>KAWASAKI</b>		12-098-12	2-2242
AM38984	2-2189	RE502196	2-2294-VA	21001-1083	1-2891-00MI	12-098-13	2-2241
AM39137	2-2188	RE508922	2-3005-BO	21001-1123	1-2891-00MI	12-098-15	2-2241
AM39285	2-2191	RE51447	2-1750-ND	21163-1080	2-2425-MT-2	12-098-15-S	2-2241
AM39287	2-2189	RE51694	2-1750-ND	21163-1115	2-2425-MT-2	12-098-19-S	2-2242
AM52455	2-2146	RE51792	50-153-2	21163-1130	2-2443-MT-2	12-098-21	2-2242
AM875014	2-1948-HI	RE52120	50-8430	21163-1141	2-2425-MT-2	12-098-21-S	2-2242
AM875415	2-2016-HI	RE523502	50-8405	21163-1147	2-2741-ND-2	12-098-22	2-2241
AM876224	2-2016-HI	RE54090	2-2926-ND	21163-1249	2-2425-MT-2	12-098-22-S	2-2241
AM877285	2-2705-ND-2	RE54874	2-2043-ND	21163-1253	2-2443-MT-2	20-098-01	2-2855-UT
AM877740	1-2335-01ND	RE55378	2-2043-ND	21163-1266	2-2443-MT-2	20-098-01S	2-2855-UT
AM878168	2-2738-HI-2	RE59595	2-2926-ND	21163-1320	2-2417-MT-2	20-098-05	2-2855-UT
AM878176	2-1948-HI	RE60641	2-2294-VA	21163-1321	2-2417-MT-2	20-098-05S	2-2855-UT
AM878189	2-2728-HI-2	RE62916	50-8438	21163-2057	2-1775-HI	20-098-06	2-2855-UT
AM878581	1-2315-01HI	RE63010	2-2294-VA	21163-2068	2-2740-ND-2	20-098-06S	2-2855-UT
AM878813	2-1948-HI	RE65188	2-2043-ND	21163-2070	2-2644-ND	24-098-01	2-2022-ND

# PART NUMBER CROSS REFERENCE - OEM TO CATALOG NUMBER

OE NO.	PART NO.	OE NO.	PART NO.	OE NO.	PART NO.	OE NO.	PART NO.
<b>KOHLER</b>		<b>KUBOTA</b>		<b>LEECE NEVILLE</b>		<b>LUCAS</b>	
24-098-01S	2-2022-ND	15461-63010	2-2107-ND	2600JC	20-502-1	26395	50-9200-1
25-098-03	2-2756-UT-2	15461-63011	2-2107-ND	2670J	20-502-1	26395A	50-9200
25-098-04	2-2756-UT-2	15461-63012	2-2107-ND	2670JB	20-502-1	26395A	50-9200-1
25-098-05	2-2756-UT-2	15461-63013	2-2107-ND	2700	20-502-1	26395H	50-9200
25-098-06	2-2756-UT-2	15461-63014	2-2107-ND	2700J	20-502-1	26395H	50-9200-1
25-098-08	2-2022-DR	15461-63015	2-2107-ND	2700JB	20-502-1	26404	2-2290-LU
25-098-08-S	2-2022-DR	15521-63010	2-2107-ND	66925090S	2-2340-LU	26404A	2-2290-LU
25-098-09	2-2022-DR	15521-63011	2-2107-ND	90743	20-502-1	26408	2-2340-LU
25-098-09-S	2-2022-DR	15521-63012	2-2107-ND	90776	20-502-1	26414	2-2340-LU
25-098-11-S	2-2022-DR	15621-63013	2-2660-ND	90784	20-502-1	26414E	2-2340-LU
267726	2-2943-MT	15621-63014	2-2660-ND	A001090743	20-502-1	26422	2-2301-LU
28-098-01	2-2450-UT-2	15621-63015	2-2660-ND	A001090776	20-502-1	26435	2-2301-LU
28-098-01S	2-2450-UT-2	15852-63010	2-1445-MI	A001090784	20-502-1	27417	2-2301-LU
28-755-30	2-2450-UT-2	15852-63011	2-1445-MI	A0012600JC	20-502-1	27435	2-2301-LU
28-755-30S	2-2450-UT-2	15852-63012	2-1445-MI	A0012670JB	20-502-1	27478	2-2301-LU
29-098-02	2-2760-ND-2	15852-63013	2-1445-MI	A0012700JB	20-502-1	27486	2-2301-LU
41-098-01	2-2128-UT	16097-61361	2-1421-ND	RJ2670	20-502-1	27500A	50-9200
41-098-03	2-2128-UT	16231-24011	1-2476-01ND			27500A	50-9200-1
41-098-04	2-2175-UT	16235-63010	2-2656-ND			27500J	50-9200
41-098-06	2-2175-UT	16235-63011	2-2656-ND	25372	2-2340-LU	27500J	50-9200-1
41-098-08	2-2128-UT	16235-63012	2-2656-ND	26148	2-2301-LU	27503	2-2340-LU
45-098-01	2-2128-UT	16241-64010	1-2476-01ND	26157	2-2301-LU	27519	2-2340-LU
45-098-04	2-2127-UT	16241-64011	1-2476-01ND	26196	2-2301-LU	27536	2-2290-LU
45-098-05	2-2127-UT	16241-64012	1-2476-01ND	26211A/L	50-9200	27537	2-2340-LU
45-098-06	2-2398-UT	16705-64011	1-2477-01ND	26211A/L	50-9200-1	27541	2-2340-LU
45-098-07	2-2129-UT	16705-64012	1-2477-01ND	26211M/T	50-9200	27541D	2-2340-LU
45-098-09	2-2129-UT	17298-63010	2-2107-ND	26211M/T	50-9200-1	27565	2-2340-LU
45-098-10	2-2123-UT	17298-63011	2-2107-ND	26211U	50-9200	27565D	2-2340-LU
48-098-02	2-2127-UT	17298-63013	2-2107-ND	26211U	50-9200-1	27565E	2-2340-LU
51-098-01	2-2129-UT	17341-63010	2-2107-ND	26282A	2-2301-LU	27565F	2-2340-LU
52-098-03	2-2083-UT	17341-63011	2-2107-ND	26283	2-2301-LU	27565J	2-2340-LU
52-098-04	2-2245	17341-63013	2-2107-ND	26295	2-2340-LU	27568	2-2340-LU
52-098-06	2-2246	17341-63015	2-2107-ND	26295A	2-2340-LU	27568A	2-2340-LU
52-098-07	2-2128-UT	17356-64010	1-2966-01ND	26295B	2-2340-LU	27568D	2-2340-LU
52-098-09	2-2083-UT	17356-64011	1-2966-01ND	26295D	2-2340-LU	27569	50-9200
52-098-10	2-2246	17356-64012	1-2966-01ND	26295E	2-2340-LU	27569	50-9200-1
52-098-11	2-2245	17381-63014	2-2733-ND-2	26338A	50-9200	27590	2-2340-LU
52-098-12	2-2083-UT	19007-63011	2-2090-MI	26338A	50-9200-1	27590A	2-2340-LU
63-098-01S	2-2196	19013-63011	2-1960-ND-2	26338B	50-9200	27590B	2-2340-LU
A232981	2-2128-UT	19202-63011	2-1960-ND-2	26338B	50-9200-1	27598A	2-2340-LU
A234193	2-2128-UT	19202-63017	2-1960-ND-2	26338D	50-9200	27608	2-2340-LU
A236292	2-2123-UT	19215-63012	2-2735-ND-2	26338D	50-9200-1	27608A	2-2340-LU
A236396	2-2129-UT	19215-63013	2-2735-ND-2	26338F	50-9200	LRS1741	50-100-2
A237131	2-2129-UT	19293-63011	2-1421-ND	26338F	50-9200-1	NSB503	2-2301-LU
A237132	2-2123-UT	19821-63011	2-1960-ND-2	26339A	50-9200	NSB529	2-2340-LU
A237510	2-2129-UT	19837-63010	2-2090-MI	26339A	50-9200-1		
A237511	2-2123-UT	19837-63011	2-2090-MI	26339B	50-9200		
A237534	2-2129-UT	19837-63012	2-2090-MI	26339B	50-9200-1	A000B0331	1-1947-01MD
A277214	2-2127-UT	19837-63013	2-2090-MI	26339D	50-9200	A000B0341	1-2459-01MD
A277599	2-2127-UT	1G069-63011	2-2889-ND	26339D	50-9200-1	AC155603	1-1947-01MD
		34070-16081	2-2734-ND-2	26339K	50-9200	AC155604	1-1947-01MD
		34070-16083	2-2734-ND-2	26339K	50-9200-1	AC155614	1-2468-31MD
		34070-16800	2-2734-ND-2	26358	2-2340-LU	AC155616	1-2309-31MD
		34070-16803	2-2734-ND-2	26358B	2-2340-LU	AC155620	1-2465-01MD
		37560-63010	2-2658-ND	26358D	2-2340-LU	AC155907	1-2463-01MD
		37560-63011	2-2658-ND	26375	2-2301-LU	AC165610	1-1948-01MD
12498-63010	2-2648-ND	37560-63012	2-2658-ND	26379	50-9200	AC165616	1-1948-01MD
12499-63010	2-2727-ND-2	E7194-63010	2-2022-DR	26379	50-9200-1	AC165617	1-2310-31MD
15231-63012	2-1421-ND	E7194-63012	2-2022-DR	26379A	50-9200	AC165618	1-2307-31MD
15231-63013	2-1421-ND	E7195-63010	2-2945-ND	26379A	50-9200-1	AC165622	1-2464-01MD
15231-63014	2-1421-ND	E7199-63010	2-1421-ND	26379F	50-9200	AR150	1-1947-01MD
15231-63015	2-1421-ND	K7561-61810	2-2656-ND	26379F	50-9200-1	AR150AA	1-1947-01MD
15231-63016	2-1421-ND	K7561-61811	2-2656-ND	26379H	50-9200	AR150AR	1-1947-01MD
15271-63C13	2-1421-ND			26379H	50-9200-1	AR150BA	1-1947-01MD
15401-63010	2-2107-ND			26395	50-9200	M50924	1-2310-31MD
15401-63012	2-2107-ND						
<b>KOMATSU</b>						<b>MANDO</b>	
ALT1004	20-118-1					A000B0331	1-1947-01MD
<b>KUBOTA</b>						A000B0341	1-2459-01MD
12498-63010	2-2648-ND					AC155603	1-1947-01MD
12499-63010	2-2727-ND-2					AC155604	1-1947-01MD
15231-63012	2-1421-ND					AC155614	1-2468-31MD
15231-63013	2-1421-ND					AC155616	1-2309-31MD
15231-63014	2-1421-ND					AC155620	1-2465-01MD
15231-63015	2-1421-ND					AC155907	1-2463-01MD
15231-63016	2-1421-ND					AC165610	1-1948-01MD
15271-63C13	2-1421-ND					AC165616	1-1948-01MD
15401-63010	2-2107-ND					AC165617	1-2310-31MD
15401-63012	2-2107-ND					AC165618	1-2307-31MD

# PART NUMBER CROSS REFERENCE - OEM TO CATALOG NUMBER

OE NO.	PART NO.	OE NO.	PART NO.	OE NO.	PART NO.	OE NO.	PART NO.
<b>MANDO</b>		<b>MERCURY MARINE</b>		<b>MERCURY MARINE</b>		<b>MERCURY MARINE</b>	
M56750	1-2468-31MD	50-45120	2-1590-DR-2	50-803903T	2-3147-UT	50-859169T	2-2253
M59207	1-2310-31MD	50-45120	2-1592-DR	50-804312T1	2-2451-HI-2	50-859170T	2-2252
M59601	2-1691-MD	50-45822	2-2157	50-805991	50-8407	50-859377T	2-2797-2
M59819	1-2307-31MD	50-46277	2-1590-DR-2	50-806963A2	2-1760-DR-2	50-863007A1	2-1999-DR-2
TA000B0341	1-2459-01MD	50-46277	2-1592-DR	50-806963A4	2-1760-DR-2	50-863007A1	2-1999-DR-3
		50-46282	2-1590-DR-2	50-806964A2	2-1691-DR-2	50-863007A1	2-1999-MD
		50-46282	2-1592-DR	50-806964A3	2-1691-DR-2	50-86976	2-3146-UT
		50-47454	2-2591-DR-2	50-806964A4	2-1691-DR-2	50-881368T	2-2739-HI-2
		50-47454	2-2592-DR	50-806965A2	2-1760-DR-2	50-881368T1	2-2739-HI-2
		50-47455	2-2752-DR-2	50-806965A4	2-1760-DR-2	50-881368T2	2-2739-HI-2
		50-48643	2-2157	50-807904A1	2-1999-DR-2	50-884044T	2-2797-2
		50-55304A-1	2-2077-UT	50-807904A1	2-1999-DR-3	50-884045T	2-2252
		50-55601A2	2-2075-UT	50-807904A1	2-1999-MD	50-884238T	2-2081-UT
		50-55801A	2-2075-UT	50-807907	2-1691-DR-2	50-888151T	2-2253
		50-56886	2-2900-FD	50-807907	2-1691-MD	50-888160T	2-2252
		50-57485	2-2076-UT	50-808011A05	2-2361-DR	50-888161T	2-2797-2
		50-575955	2-3147-UT	50-808011A05	2-2361-DR-2	50-892339T	2-2580-DR
		50-57867	2-2077-UT	50-808011A1	2-2752-DR-2	50-893886T	2-2253
		50-583869	2-2082-UT	50-808011A4	2-2361-DR	50-893888T	2-2797-2
		50-59799	2-1590-DR-2	50-808011A4	2-2361-DR-2	50-893889T	2-2163-2
		50-59799	2-1592-DR	50-812428A3	2-1691-DR-2	50-893890T	2-2251
		50-60594A	2-2912-PL	50-812604A2	2-1691-DR-2	50-893891T	2-2413-UT-2
		50-60594A1	2-2912-PL	50-81490M	2-2272	50-893892T	2-2580-DR
		50-60594T01	2-2912-PL	50-814980M	2-2309-HI	50-8M0033984	2-2163-2
		50-616955-1	2-2082-UT	50-818445	2-2250	50-90983A	2-2163-2
		50-65436	2-2076-UT	50-818445-2	2-2250	50-90983A1	2-2163-2
		50-65784A1	2-2752-DR-2	50-818445-3	2-2250	50-90983T1	2-2163-2
		50-65785A1	2-2591-DR-2	50-818445-5	2-2250	50-92669M	2-2272
		50-66015	2-2076-UT	50-819271	2-2165	50-96359M	2-2309-HI
		50-66015-1	2-2413-UT-2	50-819968	2-2156	50-97072M	2-2272
		50-66015-2	2-2076-UT	50-819968-1	2-2156	50-97072T	2-2272
		50-66015-3	2-2413-UT-2	50-819968-2	2-2156	50-97499A2	2-2591-DR-2
		50-66015T	2-2413-UT-2	50-819968-3	2-2156	50-97499R2	2-2591-DR-2
		50-66015T1	2-2413-UT-2	50-819968-4	2-2156	50-97499R4	2-2591-DR-2
		50-67341	2-2157	50-819968-T4	2-2156	50-97693M	2-2309-HI
		50-69863A1	2-1591-DR	50-820193	2-2164	50-99417A2	2-1591-DR
		50-69863A1	2-1591-DR-1	50-820193-1	2-2164	50-99417A2	2-1591-DR-1
		50-69864A1	2-1591-DR	50-820193A1	2-2165	50-99418A2	2-2909-DR
		50-69864A1	2-1591-DR-1	50-820193-T1	2-2164	50-99418A2	2-2909-DR-1
		50-69865A1	2-2900-FD	50-822330A2	2-1691-DR-2	50-99419A3	2-2752-DR-2
		50-70604A3	2-2901-FD	50-822462	2-2251	56045	20-159-1
		50-70604A3	2-2904-FD	50-822462-1	2-2251	59755	20-159-1
		50-72467	2-2077-UT	50-822462T1	2-2251	67914A2	82-6898
		50-73521	2-2158	50-830308-1	2-2253	69729	20-159-1
		50-76963A3	2-2752-DR-2	50-830308T	2-2253	76395A2	82-6898
		50-76965A1	2-2752-DR-2	50-831001562	2-2709-ND-2	76395A5	82-6898
		50-76965A2	2-2752-DR-2	50-831001671	2-2276-ND	78402	1-2835-2
		50-76965A3	2-2752-DR-2	50-831001672	2-2276-ND	78402	1-2835-3
		50-76965A4	2-2752-DR-2	50-831001961	2-2709-ND-2	78402	1-2835-4
		50-77141	2-2081-UT	50-832997	2-2755-2	78402	1-2835-5
		50-77328A1	2-2909-DR	50-832997-1	2-2755-2	78403	1-2835-2
		50-77328A1	2-2909-DR-1	50-832997-2	2-2755-2	78403	1-2835-3
		50-77328A3	2-2909-DR	50-833153	2-2254	78403	1-2835-4
		50-77328A3	2-2909-DR-1	50-833153-1	2-2254	78403	1-2835-5
		50-79472	2-2081-UT	50-833153-2	2-2254	78403A1	1-2835-2
		50-79472-1	2-2081-UT	50-833153-5	2-2254	78403A1	1-2835-3
		50-79472T2	2-2081-UT	50-833153T4	2-2254	78403A1	1-2835-4
		50-79604A1	2-2591-DR-2	50-852570	2-2788-UT-2	78403A1	1-2835-5
		50-79604A3	2-2591-DR-2	50-852570T	2-2788-UT-2	78403A2	1-2835-2
		50-79821A2	2-1591-DR	50-853329T	2-2580-DR	78403A2	1-2835-3
		50-79821A2	2-1591-DR-1	50-853869	2-2156	78403A2	1-2835-4
		50-79822A1	2-1591-DR	50-853869T	2-2156	78403A2	1-2835-5
		50-79822A1	2-1591-DR-1	50-854636	2-2252	805447T	1-1948-01MD
		50-79823A1	2-1591-DR	50-854636T	2-2252	805884	1-1948-01MD
		50-79823A1	2-1591-DR-1	50-857065	2-2788-UT-2	805884P	1-1948-01MD

# PART NUMBER CROSS REFERENCE - OEM TO CATALOG NUMBER

OE NO.	PART NO.	OE NO.	PART NO.	OE NO.	PART NO.	OE NO.	PART NO.
<b>MERCURY MARINE</b>		<b>MERCURY MARINE</b>		<b>MITSUBISHI</b>		<b>MOTOROLA</b>	
805884T	1-1948-01MD	93247A4	82-6898	M2T56472	2-1963-MI	10-224	1-2835-2
807652	1-2309-31MD	93247A7	82-6898	M2T56475	2-1963-MI	10-224	1-2835-3
807652T	1-2309-31MD	98555	1-1947-01MD	M2T61371	2-1963-MI	10-224	1-2835-4
807653	1-2310-31MD	99186	82-6891-2	M2T65771	2-2997-MI	10-224	1-2835-5
807653T	1-2310-31MD	99186-1	82-6891-2	M3T33481	2-2090-MI	2937110A	1-2880-01VA
809885A1	82-7866	99186T	82-6891-2	M3T64172	2-1963-MI	510-128,	1-2880-01VA
809885A2	82-7866	<b>MEYER</b>		MEA10-07	2-1738-MI-1	510-821	1-2880-01VA
809885T2	82-7866	15054	82-7850	MEA10-7	2-1738-MI-1	510-834	1-2881-00VA
811628	82-68103	15687	82-7852	<b>MITSUBISHI INDUSTRIAL</b>		510-836	1-2880-01VA
813447	82-7866	15727	82-7852	34466-03200	2-1963-MI	510-856	1-2880-01VA
817119	1-1947-01MD	15829	82-6882	34466-10202	2-1963-MI	510-862	1-2880-01VA
817119-1	1-1947-01MD	15841	82-6882	34466-10203	2-1963-MI	8EM2007K	1-1947-01MD
817119-2	1-1947-01MD	15841	82-6882	34466-10203	2-1963-MI	8EM2007KA	1-1947-01MD
817119A1	1-1947-01MD	15869	82-6882	34466-15202	2-1963-MI	8EM2010KA	1-1947-01MD
817119A4	1-1947-01MD	36218	82-7859	34466-20200	2-1963-MI	8MR2023F	1-2835-2
818161A2	82-7855-2	<b>MITSUBA</b>		34466-20201	2-1963-MI	8MR2023F	1-2835-3
819479A1	82-7866	LT80-CS90	2-2186-MT	34766-21301	2-1963-MI	8MR2023F	1-2835-4
819480A1	82-7866	S13-237	2-2150	34766-31300	2-1963-MI	8MR2023F	1-2835-5
821663	1-2824-01ND-2	SM10230	2-2186-MT	34766-41300	2-1963-MI	8MR2023FA	1-2835-2
821663-1	1-2824-01ND-2	SM-11	2-2742-MT-2	MM131020	1-2392-01MI	8MR2023FA	1-2835-3
821663-A1	1-2824-01ND-2	SM13213	2-2181-MT	MM409413	2-1781-MI	8MR2023FA	1-2835-4
823653A5	82-7855-2	SM13232	2-2182-MT	MM432804	1-2392-01MI	8MR2023FA	1-2835-5
824051	82-68104	SM13232	2-2182-MT	MM435081	1-2392-01MI	8MR2024F	1-2835-2
827675A1	82-7865	SM13233	2-2179-MT	MM435751	1-2392-01MI	8MR2024F	1-2835-3
828506	1-2879-01ND	SM13245	2-2185-MT	MM435752	1-2392-01MI	8MR2024F	1-2835-4
828708	82-7867	SM13298	2-2183	<b>MOTORCRAFT</b>		8MR2024F	1-2835-5
846859A4	82-7855-2	SM13422	2-2184-MT	GL-170	20-119-1	9AR2775F	1-2881-00VA
853329T	2-2580-DR	SM13475	2-2178-MT	GL-189A	20-502-1	9AR2775G	1-2881-00VA
857006T	1-2487-01DR	SM224	2-2208	GL-192	20-119-1	9AR3649G	1-2880-01VA
862030	1-2483-01DR	SM-2241	2-2177	GL-249	20-119-1	9AR3711G	1-2880-01VA
862030-1	1-2483-01DR	SM-229C	2-2530	GL-292	20-1163-1	9AR3711G01	1-2880-01VA
862030T	1-2483-01DR	SM-229D	2-2538	GL-397	20-502-1	9AR3743G	1-2880-01VA
862031	1-2485-01DR	SM302-26	2-2943-MT	GL-398	20-502-1	9AR3790G	1-2880-01VA
862031T	1-2485-01DR	SM-8	2-2182-MT	SA-594	2-1674-FD	9AR3791G	1-2880-01VA
862031T1	1-2485-01DR	<b>MITSUBISHI</b>		SA-625	2-1674-FD	9AR3947G	1-2880-01VA
863077-1	1-2837-01DR-2	A0T25171	1-2392-01MI	SA-628	2-1674-FD	<b>NEW HOLLAND</b>	
863077T	1-2837-01DR-2	A0T25271	1-2392-01MI	SA-632	2-1674-FD	254074	50-100-2
875285T1	1-2487-01DR	A0T25371	1-2392-01MI	SA-648	2-1674-FD	500333269	2-2325-BO
875286A1	1-2486-01DR	A0T25471	1-2392-01MI	SA-651	2-1674-FD	503470	2-2107-ND
875286T	1-2486-01DR	A5TA7599	1-2952-01MI	SA-655	50-100-2	507127	2-2642-UT
878265A1	82-7867	A5TA7599ZC	1-2952-01MI	SA-655B	50-100-2	795152	2-2290-LU
878265A4	82-7867	A7T03877	1-2480-01MI	SA-655C	50-100-2	82005342	50-9200
87828	82-6857	A7T20199	1-2891-00MI	SA-655D	50-100-2	82005342	50-9200-1
881247A1	1-2486-01DR	M0T60381	2-2664-MI	SA-689	50-108-2	82007917	2-2085-BO
881248T	1-2487-01DR	M0T65081	2-2665-MI	SA-690	50-108-2	82980885	2-2085-BO
881368T1	2-2739-HI-2	M1T66081	2-2569-MI	SA-706	2-1674-FD	83918688	50-9200
881368T2	2-2739-HI-2	M2T30481	2-1445-MI	SA-710	2-1674-FD	83918688	50-9200-1
88183A12	82-7864	M2T42381	2-1445-MI	SA-721	50-111	83949348	50-9200
88183A12	82-7864-2	M2T43581	2-2668-MI	SA-736	50-100-2	83949348	50-9200-1
88183A5	82-7864	M2T43681	2-1554-MI-1	SA-739	50-8407	83981923	50-9200
88183A8	82-7864	M2T53080	2-1167-MI	SA-744	50-111	83981923	50-9200-1
88475A5	82-6898	M2T53081	2-1167-MI	SA-745	50-111	86628964	2-2085-BO
885654T1	82-7866	M2T53082	2-1167-MI	SA-747	50-111	9800887	50-8405
889955	1-2487-01DR	M2T53083	2-1167-MI	SA-756	50-153-2	K0H1209822	2-2241
889955A03	1-2487-01DR	M2T53085	2-1167-MI	SA-756A	50-153-2	K0H1209822S	2-2241
889956	1-2486-01DR	M2T53281	2-1167-MI	SA-757	50-100-2	K0H2009805S	2-2855-UT
892339T	2-2580-DR	M2T53282	2-1167-MI	SA-768A	2-2471-DR	K0H2409801	2-2022-ND
893892T	2-2580-DR	M2T54806	2-1167-MI	SA-778	50-153-2	KAW211637001	2-2432-UT
92459A3	82-7855-2	M2T55971	2-2093-MI	SA-823	50-153-2	KAW211637010	2-2432-UT
92459A4	82-7855-2	M2T56071	2-1732-MI-1	SA-824	2-2471-DR	SBA18504-6320	1-2480-01MI
92459A8	82-7855-2	M2T56072	2-1732-MI-1	SA-829	50-153-2	SBA18508-6050	2-2317-HI
92497	1-1947-01MD	M2T56272	2-1781-MI	SA-869	50-108-2	SBA18508-6051	2-2317-HI
92497A3	1-1947-01MD	M2T56283	2-1167-MI			SBA18508-6052	2-2317-HI
92975A28	82-6898	M2T56471	2-1963-MI			SBA18508-6321	2-2007-HI
92975A6	82-6898						



# PART NUMBER CROSS REFERENCE - OEM TO CATALOG NUMBER

OE NO.	PART NO.	OE NO.	PART NO.	OE NO.	PART NO.	OE NO.	PART NO.
	<b>OMC</b>		<b>OMC</b>		<b>PERKINS</b>		<b>PRESTOLITE</b>
585056	2-2160	987811	2-2750-FD-2	185046320	1-2480-01MI	110-374	1-1947-01MD
585057	2-2166	987969	2-2900-FD	2871A453	1-2884-00VA	46-124	2-2906-CH
585059	2-2161	988013	2-2902-FD	2873006T	2-2340-LU	46-130	2-2906-CH
585060	2-2159	988217	2-1760-DR-2	2873121	2-2301-LU	46-2001	82-7850
585061	2-2073-UT	988247	20-159-1	2873121T	2-2301-LU	46-2022	2-2907-CH
585062	2-2074-UT			2873125	2-2301-LU	46-2122	2-2789-UT-2
585063	2-2080-UT		<b>ONAN</b>	2873141	2-2301-LU	46-2129	2-3148-UT
585196	2-2166	185-2166	2-2007-HI	2873A010	2-2301-LU	46-2143	2-3148-UT
585197	2-2078-UT	191-0429	2-2650-PL	2873A010R	2-2301-LU	46-2299	2-2789-UT-2
586257	2-2783-UT-2	191-0443	2-2650-PL	2873A029	2-2340-LU	46-2387	2-2074-UT
586274	2-3144-UT	191-0734	2-1738-MI-1	2873A102	2-2301-LU	46-2400	2-2080-UT
586275	2-2255	191-0933	2-2195-UT	2873B053	2-2340-LU	46-2415	82-7850
586276	2-2256	191-1052	2-1738-MI-1	2873B055	2-2340-LU	46-2419	2-2650-PL
586277	2-2249	191-1394	2-1732-MI-1	2873B057	2-2340-LU	46-2432	82-6870
586278	2-2073-UT	191-1399	2-2093-MI	2873B057R	2-2340-LU	46-2439	2-2080-UT
586279	2-2160	191-1529	2-2642-UT	2873B072	2-2340-LU	46-2473	82-6852
586280	2-2080-UT	191-1550	2-2997-MI	2873B073	2-2340-LU	46-2473	82-6889
586281	2-2078-UT	191-1567	2-2642-UT	2873D003	2-2301-LU	46-2584	82-6852
586282	2-2079-UT	191-1630	2-2244	31179	2-2301-LU	46-2584	82-6889
586283	2-2166	191-1682-04	2-1554-MI-1			46-2624	82-6854
586284	2-2257	191-1682-05	2-2668-MI		<b>PLEASURECRAFT</b>	46-2624	82-6854-1
586285	2-2159	191-1798	2-2787-MT-2	RA097006	1-2468-31MD	46-2662	82-6854
586286	2-2162	191-1804-04	2-1554-MI-1	RA097007	1-3045-01DR	46-2662	82-6854-1
586287	2-2783-UT-2	191-1808-04	2-1554-MI-1	RA097007A	1-3045-02DR	46-282	2-2907-CH
586288	2-2074-UT	191-1808-05	2-2668-MI	RA097007B	1-2484-01DR	46-3564	82-6870
586289	2-2155	191-1828	2-2947	RA097007L	1-2484-01DR	46-3618	82-6852
586411	2-2155	191-1888	2-1732-MI-1	RA122001	2-2750-FD-2	46-3618	82-6889
586768	2-2796-2	191-1949-05	2-2668-MI	RA122002	2-2901-FD	46-3621	82-6854
921288	2-2752-DR-2	191-1949-06	2-1554-MI-1	RA122002	2-2904-FD	46-3621	82-6854-1
941289	2-2591-DR-2	191-1959	2-1732-MI-1	RA122008	2-2591-DR-2	46-4048	82-6885
980803	2-2900-FD	191-2132	2-2244	RA122009	2-2361-DR	46-4048	82-7851
980821	2-2591-DR-2	191-2312	2-2787-MT-2	RA122009	2-2361-DR-2	46-4175	82-6852-1
981078	2-1591-DR	46-2419	2-2650-PL	RA122009	2-2752-DR-2	46-579	2-2906-CH
981078	2-1591-DR-1			RA122015	2-1691-DR-2	46-806	82-6853
981186	1-2834		<b>PARIS RHONE</b>	RK122014	2-2750-FD-2	46-812	82-6870
981187	1-2834	100605	1-1938-01PR-2			46-966	2-2923-DR
981288	2-2752-DR-2	100606	1-1938-01PR-2		<b>POLARIS</b>	46-976	2-2789-UT-2
981289	2-2592-DR	100879	1-2882-00VA	0450532	2-2498	510-802	1-2880-01VA
981821	2-2900-FD	101218	1-2525-01VA	0450533	2-2898-MT	510-835	1-2880-01VA
982058	82-6850	105643	1-2525-01VA	0451692	2-2898-MT	510-861	1-2880-01VA
982121	2-1591-DR	180619	1-2525-01VA	0451805	2-2498	510-862	1-2880-01VA
982121	2-1591-DR-1	181990	1-2882-00VA	2410748	2-2146	51-266	1-2885-01
982195	2-2752-DR-2	181991	1-2525-01VA	3084403	2-2183	51-266	1-2885-01-1
982202	2-2591-DR-2	A13N143M	1-2882-00VA	3084981	2-2502	51-272	1-2885-01
982202	2-2592-DR	A13N147M	1-1938-01PR-2	3085393	2-2183	51-272	1-2885-01-1
982706	82-6850	A13N148M	1-1938-01PR-2	3240110	2-2768-1	51-284	1-2834
983019	82-6856	A13N152M	1-2882-00VA	3240281	2-2768-1	ALK5206	1-2834
983424	20-159-1	A13N1M	1-1938-01PR-2	4010417	2-2509	ALK6207	1-2834
983444	2-1591-DR	A13N234	1-2884-00VA	4010675	2-2768-2	ANE5201	1-2885-01
983444	2-1591-DR-1	A13N259	1-2883-00VA	4011584	2-2509	ANE5201	1-2885-01-1
983790	2-1591-DR	A13N259M	1-2883-00VA	4012032	2-2509	ANE5201S	1-2885-01
983790	2-1591-DR-1	A13N285M	1-2884-00VA	4060118	2-2768-2	ANE5201S	1-2885-01-1
983836	20-159-1	A13N2M	1-1938-01PR-2	4060155	2-2880	ANE5202	1-2885-01
984456	2-2909-DR	A13N36M	1-2882-00VA	4170006	2-2146	ANE5202	1-2885-01-1
984456	2-2909-DR-1	A14N112M	1-2525-01VA			ANE5202S	1-2885-01
984536	2-2902-FD	A14N118M	1-2525-01VA		<b>PRESTOLITE</b>	ANE5202S	1-2885-01-1
984628	2-2751-FD-2	A14N122M	1-2525-01VA	110-224	1-2835-2	ANE5202YS	1-2885-01
984982	2-2752-DR-2	A14N137M	1-2525-01VA	110-224	1-2835-3	ANE5202YS	1-2885-01-1
985964	1-2834	A14N200M	1-2525-01VA	110-224	1-2835-4	ERH4102	82-6898
985966	2-1591-DR	A14N47M	1-2525-01VA	110-224	1-2835-5	ESZ4009	82-6899
985966	2-1591-DR-1	A14N81M	1-2525-01VA	110-292	1-2835-2	ESZ4009	82-6899-1
986007	2-2752-DR-2	D11E167	2-2915-VA-1	110-292	1-2835-3	ESZ4012	82-6899
986280	82-6895	D11E167T	2-2915-VA-1	110-292	1-2835-4	ESZ4012	82-6899-1
986505	2-2909-DR			110-292	1-2835-5	ESZ4014	82-6899
986505	2-2909-DR-1			110-358	1-1947-01MD	ESZ4014	82-6899-1

# PART NUMBER CROSS REFERENCE - OEM TO CATALOG NUMBER

OE NO.	PART NO.	OE NO.	PART NO.	OE NO.	PART NO.	OE NO.	PART NO.
<b>PRESTOLITE</b>		<b>PRESTOLITE</b>		<b>SEA DOO</b>		<b>TECUMSEH</b>	
ETK4102	82-6851	MUE6206	82-6889	290-888-999	2-2790-MT-2	35763A	2-2194
ETX4001	82-6899	MUE6209	82-7852	420-888-9933	2-2790-MT-2	35765	2-2247
ETX4001	82-6899-1	MUE7001	82-6852	420-888-994	2-2790-MT-2	35765A	2-2247
EVC4002	82-6892	MUE7001	82-6889	420-888-996	2-2790-MT-2	36264	2-2339
EVD4001	82-6850	MUE7004	82-6854			36795	2-2339
EVD4002	82-6850	MUE7004	82-6854-1	<b>SUZUKI</b>		36914	2-2266
MDO4108	2-3148-UT	MUE7005	82-6854	31100-02C00	2-2765-MT-2	37425	2-2266
MDO4108A	2-3148-UT	MUE7005	82-6854-1	31100-02C01	2-2765-MT-2		
MDO4108AS	2-3148-UT	MUE7006	82-6854	31100-02C02	2-2765-MT-2	<b>THERMO KING</b>	
MDT6001	2-2906-CH	MUE7006	82-6854-1	31100-02C10	2-2765-MT-2	10-45-1718	2-2705-ND-2
MDT6001A	2-2906-CH	P66A	2-1766-HD	31100-18A00	2-2765-MT-2	3185C37G01	50-8404
MDT6015	2-2906-CH	P66A	2-1766-HD-1	31100-19B00	2-2766-MT-2	45-1312	2-2705-ND-2
MDT7001	2-2906-CH			31100-19B11	2-2766-MT-2	45-1718	2-2705-ND-2
MDT7010	2-2907-CH	<b>REFERENCE NUMBER</b>		31100-19B12	2-2766-MT-2		
MDT7021	2-2906-CH	016579	82-6854	31100-19B20	2-2766-MT-2	<b>TOHATSU</b>	
MDT7022	2-2907-CH	016579	82-6854-1	31100-24F00	2-2936-ND	350-76010-0	2-2452-HI-2
MDY6125S	82-6870	103866	2-2963	31100-24F01	2-2936-ND	353-76010-04	2-2313-HI
MDY7030	82-6870	11212449	82-6867	31100-24F10	2-2937-ND	353-76010-1A0	2-2313-HI
MDY7058	82-6870	11212449	82-6867-1	31100-35B00	2-2765-MT-2	353-76010-4	2-2313-HI
MEZ7002	82-6853	15747	82-6867	31100-35B10	2-2765-MT-2	3AA-76010-0	2-2452-HI-2
MGD4007	2-2789-UT-2	15747	82-6867-1	31100-35B11	2-2765-MT-2	3C8-76010-1	2-2168-HI
MGD4007A	2-2789-UT-2	15877	82-6867	31100-38300	2-2767-ND-2	B29A90500	2-2452-HI-2
MGD4113	2-2789-UT-2	15877	82-6867-1	31100-38300-H17	2-2767-ND-2	B29A90500A	2-2452-HI-2
MGL4001	2-2077-UT	17102	82-6867	31100-38F00	2-3150-MT		
MGL4001A	2-2077-UT	17102	82-6867-1	31100-40B01	2-2186-MT	<b>TORO</b>	
MGL4001B	2-2077-UT	18184	82-6867	31100-44D10	2-2408	46-7610	2-1781-MI
MGL4004	2-1766-HD	18184	82-6867-1	31100-44D20	2-2408	51-7590	2-1963-MI
MGL4004	2-1766-HD-1	18243	2-2432-UT	31100-44D21	2-2408	57-9480	2-2642-UT
MGL4005	82-7850	226626	82-6867	31100-87D00	2-2315-HI	67-4630	1-2392-01MI
MGL4006	2-2157	226626	82-6867-1	31100-87D10	2-2315-HI	70-5860	2-1963-MI
MGL4105	82-7850	25314	82-6865	31100-92E00	2-2315-HI	71-6040	2-1554-MI-1
MHA7012	2-2923-DR	25981	82-6865	31100-94400	2-2168-HI	78-4340	2-2191
MHJ7103	2-2650-PL	25982	82-6865	31100-94401	2-2168-HI	92-7260	2-2175-UT
MJL4005	2-2074-UT	26629	82-6867	31100-94402	2-2168-HI	99-7108	3-1024-MD
MKW4006	2-2080-UT	26629	82-6867-1	31100-94600	2-2314-HI	KH10187	2-2175-UT
MKW4007	82-7850	3922003	82-6854	31100-94601	2-2314-HI	KW10088	2-2644-ND
MKW4008	2-2080-UT	3922003	82-6854-1	31100-94610	2-2314-HI	NN10268	2-2668-MI
MKW4009	82-6852	458058	82-6867	31100-95240	2-2272		
MKW4009	82-6889	458058	82-6867-1	31100-95242	2-2272	<b>UNITED TECHNOLOGIES</b>	
MRVB4	82-6867	66503	82-6852-1	31100-95600	2-2312-HI	0139940-M030SM	2-2079-UT
MRVB4	82-6867-1	7536	82-6867	31100-95601	2-2312-HI	0203323-M020SM	2-2256
MRVB5	82-6867	7536	82-6867-1	31100-96310	2-2168-HI	0203740-M030SM	2-2256
MRVB5	82-6867-1	7682	82-6867	31100-96311	2-2168-HI	0228940-M030SM	2-2079-UT
MRVB7	82-6865	7682	82-6867-1	38100-87D00-01T	82-6897	0246540-M030SM	2-2079-UT
MUE6103	82-6852	AMJ4635	82-6867	38100-87D00-02H	82-6897	0246640-M030SM	2-2079-UT
MUE6103	82-6889	AMJ4635	82-6867-1	38100-87D10-OED	82-6896	0255640-M030SM	2-2073-UT
MUE6103S	82-6852	D-2000	82-6867	38100-87E10-OED	82-6897	0261040-M030SM	2-2078-UT
MUE6103S	82-6889	D-2000	82-6867-1	38100-87E20-OED	82-6896	0262640-M030SM	2-2157
MUE6106	82-6854	E-5622-1	82-6870	38100-92E00-OED	82-6896	0599440	2-2129-UT
MUE6106	82-6854-1	M1900	82-6867	K2116-31320	2-2417-MT-2	0599540	2-2123-UT
MUE6106S	82-6854	M1900	82-6867-1	K2116-32124	2-2746-ND-2	0599540-M030SM	2-2123-UT
MUE6106S	82-6854-1	M1901	82-6865			0814240-M030SM	2-2074-UT
MUE6108S	82-6854	M-2600	82-6870	<b>TECUMSEH</b>		0996140	2-2075-UT
MUE6108S	82-6854-1	TY24305	50-8438	32468	2-2247	0996140-M030SM	2-2075-UT
MUE6111	82-6852			32468A	2-2247	0996340-M030SM	2-2157
MUE6111	82-6889	<b>RENAULT</b>		33290	2-2267	0996440-M030SM	2-2076-UT
MUE6111S	82-6852	5000270909	2-3037-BO	33290D	2-2267	10517640	2-2155
MUE6111S	82-6889	7701003914	2-3042-BO	33290E	2-2267	1062940-M030SM	2-2078-UT
MUE6114S	82-6885			33328	2-2268	1065221-M030SM	2-2077-UT
MUE6114S	82-7851	<b>SCAN-TECH SWEDEN</b>		33329	2-3145	1079540-M030SM	2-2195-UT
MUE6201	82-6854	511032	2-1288-BO	33329D	2-3145	1097028-M030SM	2-2158
MUE6201	82-6854-1	511452	2-1288-BO	33329E	2-3145	1122940-M030SM	2-2080-UT
MUE6202A	82-6852-1			33517	2-2267	1146340	2-2129-UT
MUE6202AS	82-6852-1	<b>SEA DOO</b>		33835	2-2193	1147840-M030SM	2-2077-UT
MUE6206	82-6852	290-888-993	2-2790-MT-2	35763	2-2194	1250729-M030SM	2-2398-UT

# PART NUMBER CROSS REFERENCE - OEM TO CATALOG NUMBER

OE NO.	PART NO.	OE NO.	PART NO.	OE NO.	PART NO.	OE NO.	PART NO.
<b>UNITED TECHNOLOGIES</b>		<b>UNITED TECHNOLOGIES</b>		<b>UNITED TECHNOLOGIES</b>		<b>UNITED TECHNOLOGIES</b>	
1250740	2-2129-UT	5659240-M020SM	2-3144-UT	SM02626	2-2157	SM52784	2-2242
139940	2-2079-UT	5665740	2-2123-UT	SM05994	2-2129-UT	SM56657	2-2123-UT
1491624-M030SM	2-2081-UT	5665740-M030SM	2-2123-UT	SM05995	2-2123-UT	SM56659	2-2127-UT
1492527-M030SM	2-2398-UT	5665740-M030SM	2-2123-UT	SM05996	2-2128-UT	SM56662	2-2083-UT
1492540-M030SM	2-2398-UT	5665940	2-2127-UT	SM08142	2-2074-UT	SM56663	2-2245
1570140	2-2129-UT	5665940-M030SM	2-2127-UT	SM09961	2-2075-UT	SM56665	2-2128-UT
1574540	2-2127-UT	5666240-M030SM	2-2083-UT	SM09962	2-2076-UT	SM56666	2-2175-UT
1574540-M030SM	2-2127-UT	5666340-M030SM	2-2245	SM09963	2-2157	SM56670	2-2242
1635340-M030SM	2-2129-UT	5666540-M030SM	2-2128-UT	SM09964	2-2076-UT	SM56676	2-2156
1718328-M030SM	2-2081-UT	5666640-M030SM	2-2175-UT	SM10629	2-2078-UT	SM56714	2-2155
1770540	2-2083-UT	5667040-M030SM	2-2242	SM10652	2-2077-UT	SM56727	2-2250
1791640-M030SM	2-2079-UT	5667140-M030SM	2-2756-UT-2	SM10790	2-2158	SM56756	2-2251
1791740-M030SM	2-2079-UT	5667640-M030SM	2-2156	SM10795	2-2195-UT	SM56769	2-2164
1799640-M030SM	2-2078-UT	5671440-M030SM	2-2155	SM10970	2-2158	SM56804	2-2663-UT
1819040	2-2083-UT	5672740-M030SM	2-2250	SM11229	2-2080-UT	SM56999	2-2255
1819040-M030SM	2-2083-UT	5675640-M030SM	2-2251	SM1122940	2-2080-UT	SM57046	2-2160
1819140-M030SM	2-2245	5676940-M030SM	2-2164	SM11478	2-2077-UT	SM57047	2-2166
2020040	2-2126-UT	5680640-M030SM	2-2663-UT	SM14916	2-2081-UT	SM57048	2-2078-UT
2020740	2-2079-UT	5698340-M030SM	2-2146	SM14925	2-2398-UT	SM57049	2-2161
2070240-M030SM	2-2079-UT	5699940-M030SM	2-2255	SM15701	2-2129-UT	SM57050	2-2159
2070329-M030SM	2-2079-UT	5704640-M030SM	2-2160	SM15745	2-2127-UT	SM57051	2-2073-UT
2070340-M030SM	2-2079-UT	5704740-M030SM	2-2166	SM16353	2-2129-UT	SM57053	2-2080-UT
2134940-M030SM	2-2246	5704840-M030SM	2-2078-UT	SM17183	2-2081-UT	SM57104	2-2186-UT
4367240-M030SM	2-2642-UT	5704940-M030SM	2-2161	SM17705	2-2083-UT	SM57116	2-2249
4372740	2-2128-UT	5705040-M030SM	2-2159	SM17916	2-2079-UT	SM57217	2-2257
4372740-M030SM	2-2128-UT	5705140-M030SM	2-2073-UT	SM17917	2-2079-UT	SM59535	2-2166
4379040-M030SM	2-2642-UT	5705340-M030SM	2-2080-UT	SM17919	2-2079-UT	SM60194	2-2244
4411940	2-3147-UT	5710440-M030SM	2-2126-UT	SM17996	2-2078-UT	SM60209	2-2787-MT-2
4411940-M030SM	2-3147-UT	5711640-M030SM	2-2249	SM18059	2-3146-UT	SM65025	2-2450-UT-2
4412040	2-2082-UT	5721740-M030SM	2-2257	SM18190	2-2083-UT	SM67132	2-2156
4412040-M030SM	2-2082-UT	5722940-M030SM	2-2166	SM18191	2-2245	SM67430	2-2252
4730920-M030SM	2-2159	5723040-M030SM	2-2078-UT	SM20200	2-2126-UT	SM67675	2-2253
4730940-M030SM	2-2159	5769040-M030SM	2-2155	SM20207	2-2079-UT	SM67815	2-2254
4733040-M030SM	2-2175-UT	5953540-M030SM	2-2166	SM20521	2-2163-2	SM685854	2-2783-UT-2
4754840	2-2195-UT	6019440-M030SM	2-2244	SM20702	2-2079-UT	SM68737	2-2788-UT-2
4769040-M030SM	2-2155	6020940	2-2787-MT-2	SM20703	2-2079-UT	SM69967	2-2128-UT
4786240-M030SM	2-2074-UT	6020940-M030SM	2-2787-MT-2	SM43672	2-2642-UT	SME12A11	2-2129-UT
4820140-M030SM	2-2076-UT	6502540-M030SM	2-2450-UT-2	SM43727	2-2128-UT	SMH12A1	2-2128-UT
4820240-M030SM	2-2158	6560020-M030SM	2-2756-UT-2	SM43790	2-2642-UT	SMH12A104	2-2146
4820340-M030SM	2-2911-UT	6713240-M030SM	2-2156	SM44119	2-3147-UT	SMH12A2	2-2129-UT
4820440-M030SM	2-2081-UT	6727040-M030SM	2-2756-UT-2	SM44120	2-2082-UT	SMH12A201	2-2129-UT
4820540-M030SM	2-2081-UT	6743040-M030SM	2-2252	SM47309	2-2159	SMH12A3	2-2123-UT
4836940-M030SM	2-2077-UT	6767540-M030SM	2-2253	SM47330	2-2175-UT	SMH12A4	2-2129-UT
4838640-M030SM	2-2076-UT	6781540-M030SM	2-2254	SM47690	2-2155	SMH12A5	2-2123-UT
4838740-M030SM	2-3146-UT	6782140-M030SM	2-2755-2	SM47764	2-2911-UT	SMH12A6	2-2128-UT
4840540-M030SM	2-2157	6858540-M030SM	2-2783-UT-2	SM47862	2-2074-UT	SMH12B31	2-2075-UT
4854420-M048HM	82-7859	6873740-M030SM	2-2788-UT-2	SM48201	2-2076-UT	SMH12B41	2-2078-UT
4854440	82-7859	6996740-M030SM	2-2128-UT	SM48202	2-2158	SMH12B43	2-2080-UT
4886540-M030SM	2-2413-UT-2	996240	2-2158	SM48203	2-2911-UT	SMH12B81	2-2195-UT
5059240-M030SM	2-2160	HM02223	82-7859	SM48204	2-2081-UT	SMH12C31	2-2076-UT
5071240-M030SM	2-2161	M055014A	2-2075-UT	SM48205	2-2081-UT	SMH12C41	2-2079-UT
5082740-M030SM	2-2947	M0551014A	2-2075-UT	SM48369	2-2077-UT	SMH12C42	2-2074-UT
5086140	2-2126-UT	M0551017A	2-2075-UT	SM48386	2-2076-UT		
5086140-M030SM	2-2126-UT	MM18996	82-6852	SM48387	2-3146-UT		
5213140-M030SM	2-2083-UT	MM18996	82-6889	SM48405	2-2157		
5213240-M030SM	2-2246	POC4001	2-2079-UT	SM48865	2-2413-UT-2		
5216040-M025SM	2-2163-2	SM01399	2-2079-UT	SM50681	2-2126-UT		
5216040-M030SM	2-2163-2	SM01446	2-2076-UT	SM50827	2-2947		
5225040-M030SM	2-2241	SM02033	2-2256	SM50861	2-2126-UT		
5239740-M030SM	2-2242	SM02289	2-2079-UT	SM52132	2-2246		
5249840-M030SM	2-2162	SM02465	2-2079-UT	SM52160	2-2163-2		
5274040-M030SM	2-2165	SM02466	2-2079-UT	SM52397	2-2242		
5275640-M030SM	2-2250	SM02556	2-2073-UT	SM52498	2-2162		
5278340-M030SM	2-2241	SM02610	2-2078-UT	SM52740	2-2165		
5278440-M030SM	2-2242			SM52756	2-2250		
						<b>UNIVERSAL MARINE</b>	
						299512	2-1421-ND
						299574	2-2107-ND
						301295	2-1421-ND
							<b>VALEO</b>
						097224	2-2915-VA-1
						105473	1-2525-01VA
						183450	2-2916-VA
						184195	2-2893-VA
						184202	2-2915-VA-1
						184550	2-2916-VA



# PART NUMBER CROSS REFERENCE - OEM TO CATALOG NUMBER

OE NO.	PART NO.	OE NO.	PART NO.	OE NO.	PART NO.	OE NO.	PART NO.
<b>VALEO</b>		<b>VOLVO PENTA</b>		<b>VOLVO PENTA</b>		<b>WESTERN MOTOR</b>	
185850	2-2893-VA	3803118	2-2915-VA-1	849602	1-2882-00VA	W-8991	82-7852
186276	2-2917-VA	3803200	2-2915-VA-1	850834-3	82-68100	W-8994	82-6852
187031	2-2294-VA	3803227.2	1-1938-01PR-2	854346-4	82-7868	W-8994	82-6889
187259	2-2917-VA	3803227-2	1-2883-00VA	854525-3	82-7857	W-8999	82-6854
188486	2-2915-VA-1	3803260-3	1-2884-00VA	855325-5	2-1591-DR	W-8999	82-6854-1
2100606	1-1938-01PR-2	3803270-2	1-2525-01VA	855325-5	2-1591-DR-1	W-8999-DBB	82-6854
2100879	1-2882-00VA	3803386	2-2915-VA-1	855326-5	2-1591-DR	W-8999-DBB	82-6854-1
2101218	1-2525-01VA	3850927-9	1-1947-01MD	855326-5	2-1591-DR-1	W-9787	82-7851
2103570	1-2882-00VA	3853945	82-6895	855334	2-2752-DR-2	W-9787-P	82-6885
2105473	1-2525-01VA	3854182-7	1-2307-31MD	858838	1-1938-01PR-2	W-9787-P	82-7851
2105643	1-2525-01VA	3854190-0	2-2750-FD-2	858838-6	1-1938-01PR-2	W-9789	82-6885
2181990	1-2882-00VA	3854750-1	2-1760-DR-2	858839	1-1938-01PR-2		
2181991D	1-2525-01VA	3854751-9	2-1691-DR-2	858839-4	1-1938-01PR-2		
2510802	1-2880-01VA	3854809-5	1-1947-01MD	859252	2-2915-VA-1	<b>WESTERN PLOW</b>	
2518039	1-1938-01PR-2	3856003-3	2-1760-DR-2	859252-9	2-2915-VA-1	25556	82-6853
2518040	1-1938-01PR-2	3856004-1	2-1691-DR-2	859252X	2-2915-VA-1	25556A	82-6853
2518055	1-1938-01PR-2	3856600-6	1-2307-31MD	859553	2-2893-VA	56058	82-6852
2518061	1-2525-01VA	3857265-7	82-7868	872018-7	1-1938-01PR-2	56058	82-6889
2518064	1-2882-00VA	3857561	1-2307-31MD	872021	1-2525-01VA	56133	82-6852
2541168	1-2525-01VA	3857561-9	1-2307-31MD	872021	1-2525-01VA	56133	82-6889
2541451	1-2884-00VA	3857747	2-1999-DR-2	872235-7	1-2884-00VA	58062	82-6852
2541663	1-2883-00VA	3857747	2-1999-DR-3	872241-5	2-2893-VA	58062	82-6889
2541827C	1-2884-00VA	3857747	2-1999-MD	872757	1-2525-01VA		
2541828B	1-2525-01VA	3857813	1-2309-31MD	872888-3	2-2893-VA	<b>WISC. ROBBINS</b>	
2655301	1-2887-01VA	3860082	1-2464-01MD	872926-1	1-1938-01PR-2	214 70502 00	2-2010-HI
2656299	1-2886-01VA	3860171	1-2307-31MD	872926-1	1-2883-00VA		
2927750	1-2881-00VA	3860173	1-2465-01MD	873549-0	2-2893-VA		
2937112	1-2880-01VA	3860566	2-1999-DR-2	873633	1-2884-00VA	<b>WISCONSIN</b>	
2937430	1-2880-01VA	3860566	2-1999-DR-3	873635	1-2525-01VA	YA27	2-2073-UT
551399	50-9101-1	3860566	2-1999-MD	873757	1-2525-01VA	YA50	2-3147-UT
6185	2-1469-VA	3860566-3	2-1999-DR-2	873757-9	1-2525-01VA	YA63	2-2073-UT
A0002655299	1-2886-01VA	3860566-3	2-1999-DR-3	873770	1-2884-00VA		
A0002655301	1-2887-01VA	3860566-3	2-1999-MD	873771	1-2525-01VA	<b>YAMAHA</b>	
A564523R	2-3037-BO	3860764	2-1691-DR-2			19-1400-10	1-2459-01MD
D6RA11	2-2893-VA	3860798	1-2460-01VA	<b>WAPSA</b>		1FK-81800-10-00	2-2530
D6RA15	2-2916-VA	3861027-5	82-7868	9130450047	82-6867	1UY-81800-51-00	2-2324
D6RA40	2-2893-VA	3862308	2-2322-DR-2	9130450047	82-6867-1	1UY-81890-00-00	2-2324
D6RA55	2-2917-VA	3862308	2-2322-DR-3	9130450061	82-6854	1YW-81800-50-00	2-2324
D6RA7	2-2916-VA	3862612	1-2886-01VA	9130450061	82-6854-1	1YW-81800-51-00	2-2324
D6RA75	2-2917-VA	3862612	1-2887-01VA	9130450064	82-6854	2HR-81800-50	2-2324
D7R14	2-2294-VA	3862613	1-2887-01VA	9130450064	82-6854-1	2HR-81800-51-00	2-2324
D9R116	2-2915-VA-1	3862985	2-2361-DR	9130450064	82-6854-1	2HR-81800-52-00	2-2324
D9R144	2-2915-VA-1	3862985	2-2361-DR-2	9130450081	82-6854	36Y-81800-10-00	2-2538
TA000B53101	1-2460-01VA	3885317	2-1999-DR-2	9130450081	82-6854-1	3FA-81800-01-00	2-2500
TM000A04001	2-1167-MI	3885317	2-1999-DR-3	9130450099	82-6852	3FA-81890-00-00	2-2500
TM000A21901	2-1554-MI-1	3885317	2-1999-DR-3	9130450099	82-6889	3GH-81800-01-00	2-2800-2
TM000A24301	2-1691-MD	5001677	1-2525-01VA			3SX-81890-00-00	2-2534
TMC000A0061	3-1024-MD	820652	1-2882-00VA	<b>WESTERBEKE</b>		42X-81800-60-00	2-2177
TMC001B0011	3-1022-01HI-1	822454	1-2882-00VA	33486	2-2591-DR-2	4KB-81800-00-00	2-2531
TMC001B0021	3-1023-MD	827303	1-2882-00VA	38384	50-8405	4KB-81890-00-00	2-2531
		827349	1-2882-00VA			4WV-81800-00-00	2-2532
		829527-1	2-2915-VA-1	<b>WESTERN MOTOR</b>		4WV-81890-00-00	2-2532
		834625-6	1-1938-01PR-2	W-5623	82-6867	4XE-81800-00-00	2-2800-2
<b>VICTORY MOTORCYCLE</b>		835334	2-2923-DR	W-5623	82-6867-1	55X-81800-50-00	2-2187
4060155	2-2880	835334-4	2-2923-DR	W-5692	82-6882	55X-81800-51-00	2-2187
		835635-4	2-2900-FD	W-6206	82-6852-1	59V-81800-00-00	2-2800-2
		841066-4	2-2900-FD	W-6294	82-6852	3FA-81800-61-00	2-2800-2
<b>VOLVO PENTA</b>		841377	2-2591-DR-2	W-6294	82-6889	5A8-81800-10-00	2-2176
1359119	2-2915-VA-1	841378-3	1-1938-01PR-2	W-7923	82-6865	5BM-81800-01-00	2-2918-MT
1367049	2-2915-VA-1	841762	1-1938-01PR-2	W-8032B	82-7850	5KM-81890-00-00	2-2532
1541457	2-2915-VA-1	841765	1-1938-01PR-2	W-8799	82-6854	60E-81800-00-00	2-2501
21129980	2-2361-DR	841766-9	1-1938-01PR-2	W-8799	82-6854-1	61A-81800-00	2-2506-HI
21129980	2-2361-DR-2	842765	1-1938-01PR-2	W-8799	82-7859	61A-81800-01	2-2506-HI
3581774	2-2915-VA-1	842765	1-1938-01PR-2	W-8805	82-6852	61H-81800-01	2-2506-HI
3587625-10	2-1691-DR-2	845940	1-2525-01VA	W-8923	82-6867	63M-81800-00	2-2154-1
3660566-3	2-1999-DR-2	847651	1-2882-00VA	W-8923	82-6867-1	64X-81800-00-00	2-2919-MT
3660566-3	2-1999-DR-3	849561	1-2882-00VA	W-8940	82-6853	65W-81800-00	2-2253
3660566-3	2-1999-MD			W-8958	82-6870		

# PART NUMBER CROSS REFERENCE - OEM TO CATALOG NUMBER

OE NO.	PART NO.	OE NO.	PART NO.	OE NO.	PART NO.	OE NO.	PART NO.
<b>YAMAHA</b>		<b>YANMAR</b>					
65W-81800-01	2-2253	114361-77011	2-2008-HI				
65W-81800-02	2-2253	114362-77010	2-2008-HI				
65X-81880-50-00	2-2187	114362-77011	2-2008-HI				
676-81800-10	2-2272	114399-77010	2-2008-HI				
67C-81800-00	2-2253	119225-77010	2-1948-HI				
67C-81800-01	2-2253	119225-77011	2-1948-HI				
67C-81800-02	2-2253	119226-77010	2-1948-HI				
67F-81800-00	2-2451-HI-2	119573-77200	1-2874-01HI				
67F-81800-01	2-2451-HI-2	119573-77201	1-2874-01HI				
67F-81800-02	2-2451-HI-2	119620-77201	1-2335-01ND				
682-81800-11	2-2452-HI-2	119620-77202	1-2335-01ND				
682-81800-12	2-2452-HI-2	119773-77010	2-2913-ND				
688-81800-10	2-2517-HI	119773-77200	1-2458-01ND				
688-81800-11	2-2517-HI	119836-77200	1-2315-01HI				
688-81800-12	2-2517-HI	119836-77200-2	1-2315-01HI				
689-81800-11	2-2309-HI	119836-77200-3	1-2315-01HI				
689-81800-12	2-2309-HI	119865-77012	2-2013-HI				
689-81800-13	2-2309-HI	121120-77010	2-2705-ND-2				
68F-81800-00	2-2519-HI	121254-77010	2-2016-HI				
68F-81800-01	2-2519-HI	121254-77011	2-2016-HI				
68F-81800-02	2-2519-HI	121254-77012	2-2016-HI				
68V-81800-00	2-2739-HI-2	121254-77019	2-2016-HI				
68V-81800-01	2-2739-HI-2	121256-77010	2-2728-HI-2				
697-81800-10	2-2272	124070-77010	2-2015-HI				
697-81800-11	2-2272	124190-77010	2-2738-HI-2				
697-81800-12	2-2272	124190-77011	2-2738-HI-2				
697-81800-13	2-2272	128170-77010	2-1872-HI				
69L-81800-00	2-2506-HI	128170-77010D	2-1872-HI				
6D3-81800-00-00	2-2921-MT	128270-77200	1-2820-01HI-2				
6E5-81800-10	2-2167-HI	129130-77010	2-2728-HI-2				
6E5-81800-11	2-2167-HI	129136-77010	2-2728-HI-2				
6E5-81800-12	2-2167-HI	129400-77010	2-2728-HI-2				
6F5-81800-10	2-2516-HI	129400-77011	2-2728-HI-2				
6F5-81800-11	2-2516-HI	129470-77200	1-2874-01HI				
6G5-43880-02	82-68102	129573-77010	2-1916-HI-1				
6G8-81800-11	2-2516-HI	129612-77230	1-2315-01HI				
6H1-43880-02	82-68101	129698-77010	2-2009-HI				
6H3-81800-10	2-2310-HI	171008-77010	2-1916-HI-1				
6H3-81800-11	2-2310-HI	171058-77010	2-2016-HI				
6H4-81800-10	2-2505-HI						
6H4-81800-11	2-2505-HI						
6H4-81800-12	2-2505-HI						
6J4-81800-01	2-2516-HI						
6K7-81800-10	2-2518-HI						
6K8-81800-10	2-2920-MT						
6K8-81800-11	2-2920-MT						
6K8-81800-12	2-2920-MT						
6L2-81800-20	2-2452-HI-2						
6M6-81800-10-00	2-2150						
6N7-81800-00	2-2518-HI						
6N7-81800-01	2-2518-HI						
6N7-81800-10	2-2518-HI						
8BB-81800-00-00	2-3083-ND						
8BB-81800-01-00	2-3083-ND						
8CW-81800-00-00	2-3084-ND						
8CW-81800-01-00	2-3084-ND						
8V3-81800-00-00	2-3083-ND						
J10-81100-10-00	3-1017-01HI						
J38-81100-10-00	3-1014-01HI-1						
J38-81100-11-00	3-1014-01HI-1						
JN6-H1100-00-00	3-1012-01HI-1						
JN6-H1100-01-00	3-1012-01HI-1						
JN6-H1100-02-00	3-1012-01HI-1						

# PART NUMBER CROSS REFERENCE - LESTER TO CATALOG NUMBER

LESTER NO.	PART NO.	LESTER NO.	PART NO.	LESTER NO.	PART NO.	LESTER NO.	PART NO.
10710	82-7852	12198	1-2477-01ND	17291	2-1554-MI-1	18253	2-3037-BO
10711	82-7859	12200	1-2966-01ND	17292	2-2709-ND-2	18266	2-2945-ND
10725	82-6852	12231	1-2392-01MI	17294	2-2026-HI	18299	2-2006-HI
10725	82-6889	12268	1-2468-31MD	17300	2-2007-HI	18300	2-1767-HD
10735	82-7851	12272	1-2874-01HI	17312	2-2668-MI	18300	2-1767-HD-1
10736	82-6885	12355	1-2458-01ND	17315	2-2893-VA	18301	2-2452-HI-2
10746	82-6867	12358	1-2824-01ND-2	17316	2-2915-VA-1	18303	2-2920-MT
10746	82-6867-1	12359	1-2879-01ND	17318	2-1925-BO	18304	2-2010-HI
10747	82-6865	12391	1-2464-01MD	17331	2-2317-HI	18305	2-2130-HI
10748	82-6867	12392	1-2460-01VA	17332	2-1738-MI-1	18307	2-2314-HI
10748	82-6867-1	12407	1-2881-00VA	17354	2-1421-ND	18308	2-2315-HI
10751	82-6854	12409	1-2880-01VA	17362	2-1750-ND	18309	2-1775-HI
10751	82-6854-1	12411	1-2884-00VA	17362A	2-1750-ND	18310	2-2309-HI
10752	82-6854	12415	1-2882-00VA	17366	2-1032-ND	18311	2-2310-HI
10752	82-6854-1	12481	1-2891-00MI	17367	2-1960-ND-2	18312	2-2011-HI
10753	82-6854	12485	1-2494-01HI-1	17605	2-2145-ND	18313	2-2272
10753	82-6854-1	12485	1-2494-01HI-1	17615	2-2263-ND	18314	2-2167-HI
10757	82-6852	12488	1-2952-01MI	17617	2-1791-ND	18315	2-2518-HI
10757	82-6889	12672	1-2886-01VA	17619	2-1960-ND-2	18316	2-2312-HI
10758	82-6882	12673	1-2887-01VA	17628	2-2022-ND	18317	2-2316-HI
10778	82-6852-1	12751	1-2459-01MD	17629	2-2169-ND	18318	2-2738-HI-2
10803	82-6850	12828	1-2463-01MD	17629	2-2169-ND-4	18319	2-2168-HI
10805	82-6892	13059	1-2883-00VA	17629C	2-2169-ND-3	18323	2-2313-HI
10806	82-6899	13068	1-1938-01PR-2	17629C	2-2169-ND-5	18329	2-2184-MT
10806	82-6899-1	15410	3-1016-HD	17630	2-2926-ND	18330	2-2148
10808	82-6851	15410	3-1016-HD-1	17644	2-2301-LU	18330	2-2768-1
10810	82-6856	15411	3-1016-HD	17650	2-2340-LU	18330	2-2768-2
10811	82-6893	15411	3-1016-HD-1	17651	2-2340-LU	18331	2-2183
10811A	82-6894	15420	3-1007-01HI-1	17652	2-2340-LU	18332	2-2186-MT
10812	82-6895	15421	3-1015-01HI-1	18008	2-2043-ND	18335	2-2179-MT
10814	82-6898	15422	3-1012-01HI-1	18009	2-2648-ND	18336	2-2178-MT
10815A	82-7863-2	15423	3-1013-01HI-1	18010	2-2643-ND	18337	2-2181-MT
10815P	82-6891-2	15424	3-1017-01HI	18011	2-2644-ND	18338	2-2185-MT
10816	82-7854	15425	3-1014-01HI-1	18012	2-2646-ND	18339	2-2182-MT
10816	82-7856	15431	3-1024-MD	18018	2-2726-ND-2	18340	2-2187
10818	82-68100	15435	3-1022-01HI-1	18024	2-2085-BO	18341	2-2180-MT
10819	82-7868	16450	2-1340-BO	18027	50-9124-1	18344	2-2517-HI
10820	82-68103	16450	2-1340-BO-1	18029	50-9101-1	18345	2-2505-HI
10821	82-68104	16458	2-1469-VA	18030	2-2283-BO	18346	2-2516-HI
10822	82-7864-2	16464	2-2915-VA-1	18031	50-9108	18347	2-2451-HI-2
10822A	82-7864-2	16608	50-9200	18032	2-2284-BO	18348	2-2519-HI
10822CBM	82-7864	16608	50-9200-1	18033	50-9122-1	18349	2-2739-HI-2
10822M	82-6857	16635	2-2276-ND	18041	2-2997-MI	18350	2-2641-ND
10823	82-7855-2	16650	2-2107-ND	18048	2-2727-ND-2	18351	2-2506-HI
10824	82-68102	16657	2-2705-ND-2	18051	2-2728-HI-2	18369	2-2362-BO
10826	82-7867	16670	2-2290-LU	18055	2-1948-HI	18375	2-2622-BO
10827	82-7866	16720	2-1167-MI	18139	2-2732-ND-2	18395	2-2569-MI
10828	82-7865	16739	2-1193-ND	18141	2-2733-ND-2	18399	2-2153
10829	82-7855-2	16791	2-1445-MI	18142	2-2660-ND	18400	2-2658-ND
10830	82-68101	16954	2-1288-BO	18144	2-2107-ND	18403	2-2740-ND-2
10837	82-6897	16954	2-2893-VA	18145	2-2734-ND-2	18404	2-1785-ND
10838	82-6896	17008	2-1732-MI-1	18148	2-2735-ND-2	18413	2-2889-ND
10844	82-7853	17072	2-2340-LU	18162	2-2090-MI	18415	2-2147
10845	82-7857	17073	50-9110-1	18168	2-2093-MI	18416	2-2151
10856	82-7869	17074	50-9109-1	18199	2-1931-ND	18419	2-2656-ND
12077	1-2480-01MI	17074	50-9124-1	18199	2-1931-ND-4	18420	2-2150
12109	1-2820-01HI-2	17075	50-9124-1	18199C	2-1931-ND-3	18421	2-2154-1
12110	1-2525-01VA	17081	2-1963-MI	18199WF	2-1931-ND	18423	2-2943-MT
12112	1-2315-01HI	17086	2-2294-VA	18203	2-2008-HI	18424	2-2913-ND
12174	1-1947-01MD	17092	50-9105-1	18204	2-2016-HI	18431	2-2273
12174	1-2309-31MD	17093	2-2325-BO	18205	2-1916-HI-1	18433	2-2501
12176	1-1948-01MD	17094	2-3042-BO	18206	2-2015-HI	18435	2-2152
12176	1-2310-31MD	17096	2-1781-MI	18209	2-1872-HI	18436	2-2921-MT
12177	1-2307-31MD	17112	50-9107	18218	2-2013-HI	18445	2-2274
12179	1-2476-01ND	17116	2-1960-ND-2	18219	2-2009-HI	18446C	2-1931-ND-5
12188	1-2335-01ND	17237	2-1267-BO-2	18230	2-1946-BO	18450	2-2667-ND

# PART NUMBER CROSS REFERENCE - LESTER TO CATALOG NUMBER

LESTER NO.	PART NO.	LESTER NO.	PART NO.	LESTER NO.	PART NO.	LESTER NO.	PART NO.
18455	2-2973-ND	18985	2-2747-ND-2	5399	2-2158	5776	2-2407
18504	2-2760-ND-2	18986	2-2944-ND	5400	2-2075-UT	5778	2-2191
18511	2-2741-ND-2	18999	2-2938-ND	5401	2-2911-UT	5779	2-3144-UT
18512	2-2035-ND	19602	2-2665-MI	5681	2-2650-PL	5780	2-1766-HD
18513	2-2688-ND	19603	2-2664-MI	5701	2-2642-UT	5780	2-1766-HD-1
18524	2-2742-MT-2	19715	2-1691-MD	5702	2-2195-UT	5796	2-2855-UT
18531	2-2769-ND-2	3131	2-1674-FD	5704	2-2947	5797	2-2450-UT-2
18532	2-2790-MT-2	3134	2-2901-FD	5706	2-2244	5802	2-2756-UT-2
18533	2-2743-ND-2	3134	2-2904-FD	5708	2-2076-UT	5897	2-2267
18549	2-2744-ND-2	3140	2-2903-FD	5709	2-2074-UT	5898	2-3145
18600	2-2208	3141	2-2903-FD	5710	2-2256	5899	2-2268
18604	2-2745-MT-2	3143	2-2901-FD	5711	2-2255	5901	2-2797-2
18605	2-2897-MT	3143	2-2904-FD	5712	2-2073-UT	5903	2-2912-PL
18607	2-2764-MT-2	3159	2-2902-FD	5713	2-2160	5909	2-2796-2
18608	2-2798-MT-2	3159A	2-2902-FD	5714	2-2161	5915	2-2245
18610	2-2791-MT-2	3162	2-2900-FD	5715	2-2249	5917	2-2946
18627	2-2759-MT-2	3182	2-2900-FD	5716	2-2080-UT	5918	2-2663-UT
18628	2-2275	3183	2-2751-FD-2	5718	2-2078-UT	5919	2-2787-MT-2
18629	2-2746-ND-2	3200	2-2750-FD-2	5719	2-2079-UT	5922	2-2963
18631	2-2896-MT	3290	2-2899-DR	5720	2-2257	5930	2-2405
18638	2-2543-MT-2	3300	50-8407	5721	2-2159	5936	2-3066
18642	2-2498	3339	50-100-2	5722	2-2166	5943	2-3080-UT
18643	2-2898-MT	3367	50-159-1	5723	2-2155	5944	2-3079-UT
18644	2-2898-MT	3471	2-2906-CH	5724	2-2163-2	5945	2-3081-UT
18645	2-2502	3510	2-1593-DR-2	5726	2-2251	5951	2-2432-UT
18646	2-2498	3548	2-1591-DR	5727	2-3147-UT	6046	82-6870
18648	2-2509	3548	2-1591-DR-1	5729	2-2165	6067	82-6853
18656	2-2895-MT	3550	2-1591-DR	5732	2-2082-UT	6075	82-7850
18660	2-2964	3550	2-1591-DR-1	5733	2-2157	6253	50-150-2
18683	2-2799-MT-2	3560	2-1595-DR	5734	2-2156	6261	2-2910-DR
18701	2-2425-MT-2	3567	2-2923-DR	5735	2-2077-UT	6263	2-3142-DR
18716	2-2443-MT-2	3631	2-1590-DR-2	5736	2-2413-UT-2	6352	50-153-2
18719	2-2417-MT-2	3631	2-1592-DR	5737	2-2250	6356	50-153-2
18727	2-2177	3635	2-1601-DR-2	5738	2-2164	6360	50-152-2
18734	2-2538	3650	2-1601-DR-2	5740	2-2250	6370	50-151-2
18737	2-2176	3664	2-1590-DR-2	5741	2-2162	6371	50-150-2
18750	2-2530	3664	2-1592-DR	5742	2-2188	6378	50-151-2
18753	2-2800-2	3697	2-1608-DR-1	5743	2-2189	6409	2-1691-DR-2
18755	2-2500	3745	50-104-2	5744	2-2192	6420	2-2591-DR-2
18756	2-2324	3948	50-103-2	5745	2-2190	6423	2-2909-DR
18758	2-2531	3974	50-108-2	5746	2-2191	6423	2-2909-DR-1
18759	2-2532	4000	50-8422	5747	2-2266	6439	2-2924-DR
18760	2-2534	4196	50-8404	5749	2-2194	6440	2-2591-DR-2
18793	2-2767-ND-2	4274	50-8404	5751	2-2193	6468	2-1580-DR
18794	2-2767-ND-2	4287	2-2908-DR	5752	2-2247	6516	2-2471-DR
18796	2-2408	4297	2-2591-DR-2	5754	2-2339	6519	50-8410
18798	2-2936-ND	4297	2-2592-DR	5755	2-2129-UT	6560	2-1691-DR-2
18807	2-2766-MT-2	4298	2-2752-DR-2	5756	2-2175-UT	6561	2-1760-DR-2
18808	2-2765-MT-2	4304	2-2752-DR-2	5757	2-2083-UT	6562	2-1691-DR-2
18809	2-3150-MT	4389	50-8406-2	5759	2-2398-UT	6563	2-1760-DR-2
18814	2-2937-ND	4569	50-8404	5760	2-2123-UT	6570	50-8422
18817	2-2999-MT	4930	50-111	5761	2-2129-UT	6572	50-8405
18820	2-3149-ND	4960	50-8422	5762	2-2783-UT-2	6573	50-8407
18861	2-2880	4963	50-8404	5763	2-2788-UT-2	6574	50-8421
18875	2-3082-ND	5178	2-2923-DR	5764	2-2252	6575	50-8410
18890	2-3083-ND	5200	82-7850	5765	2-2126-UT	6576	50-8404
18891	2-3084-ND	5248	2-2907-CH	5766	2-2127-UT	6583	50-8420
18894	2-2919-MT	5278	2-2789-UT-2	5767	2-2128-UT	6584	50-8406-2
18904	2-2916-VA	5281	2-2080-UT	5768	2-2146	6596	50-8430
18905	2-2861-ND	5294	2-2074-UT	5769	2-2253	6601	50-8438
18905C	2-2861-ND-1	5295	2-2077-UT	5770	2-2241	6615	2-2592-DR
18915	2-2916-VA	5296	2-2157	5771	2-2242	6616	2-2752-DR-2
18916	2-2917-VA	5388	2-2081-UT	5772	2-2254	6744	2-2022-DR
18954	2-3005-BO	5389	2-2081-UT	5773	2-2755-2	6759	2-2782-DR-2
18966	2-2196	5396	2-3148-UT	5774	2-2246	6759	2-2782-VA-2
18984	2-2942-ND	5398	2-3146-UT	5775	2-2756-UT-2	6766	2-2323-DR-2

# PART NUMBER CROSS REFERENCE - LESTER TO CATALOG NUMBER

LESTER NO.	PART NO.	LESTER NO.	PART NO.	LESTER NO.	PART NO.	LESTER NO.	PART NO.
6766	2-2323-DR-3						
6788	2-2322-DR-2						
6788	2-2322-DR-3						
6791	2-1999-DR-2						
6791	2-1999-DR-3						
6791	2-1999-MD						
6792	2-1999-DR-2						
6792	2-1999-DR-3						
6792	2-1999-MD						
6793	2-2361-DR						
6793	2-2361-DR-2						
6794	2-2580-DR						
6925	2-2914-DR						
6931	2-2894-DR						
7138	20-124-1						
7152	20-159-1						
7152-105	20-159-4						
7152-105C	20-159-2						
7152-105C	20-159-3						
7197	20-127-1						
7252	20-178-1						
7255	20-119-1						
7266	20-117-1						
7297	20-118-1						
7317	1-2834						
7324	1-2885-01						
7324	1-2885-01-1						
7466	1-2835-2						
7466	1-2835-3						
7466	1-2835-4						
7466	1-2835-5						
7496	1-1947-01MD						
7611	20-502-1						
7612	20-502-1						
7850	20-125-1						
7940	20-1163-1						
7975	20-132-1						
8060	1-2301-00DR						
8460	1-2485-01DR						
8461	1-2837-01DR-2						
8463	1-2996-01DR						
8465	1-2483-01DR						
8466	1-2484-01DR						
8467	1-3045-01DR						
8467	1-3045-02DR						
8470	1-2487-01DR						
8471	1-2486-01DR						
8901	1-2834						
8902	1-1938-01PR-1						
8902	1-1938-01PR-4						
8903	1-2885-01						
8903	1-2885-01-1						
8904	1-2887						
8905	1-2888						
8906	1-2889						
8907	1-2890						
8908	1-2460-01DR						
9188	3-1025-01DR-2						
9190	3-1020-DR						
9191	3-1018-DR						
9193	3-1019-DR						

PART NO.	PAGE NO.	PART NO.	PAGE NO.	PART NO.	PAGE NO.	PART NO.	PAGE NO.
1-1938-01PR-1	164	2-1340-BO-1	172	2-2082-UT	181	2-2246	188
1-1938-01PR-2	164	2-1421-ND	172	2-2083-UT	181	2-2247	189
1-1938-01PR-4	164	2-1445-MI	172	2-2085-BO	181	2-2249	189
1-1947-01MD	164	2-1469-VA	172	2-2090-MI	181	2-2250	189
1-1948-01MD	164	2-1554-MI-1	173	2-2093-MI	181	2-2251	189
1-2301-00DR	164	2-1580-DR	173	2-2107-ND	181	2-2252	189
1-2307-31MD	164	2-1590-DR-2	173	2-2123-UT	181	2-2253	189
1-2309-31MD	165	2-1591-DR	173	2-2126-UT	181	2-2254	189
1-2310-31MD	165	2-1591-DR-1	173	2-2127-UT	181	2-2255	189
1-2315-01HI	165	2-1592-DR	173	2-2128-UT	182	2-2256	190
1-2335-01ND	165	2-1593-DR-2	173	2-2129-UT	182	2-2257	190
1-2392-01MI	165	2-1595-DR	174	2-2130-HI	182	2-2263-ND	190
1-2458-01ND	165	2-1601-DR-2	174	2-2145-ND	182	2-2266	190
1-2459-01MD	165	2-1608-DR-1	174	2-2146	182	2-2267	190
1-2460-01DR	166	2-1674-FD	174	2-2147	182	2-2268	190
1-2460-01VA	166	2-1691-DR-2	174	2-2148	182	2-2272	190
1-2463-01MD	166	2-1691-MD	174	2-2150	182	2-2273	190
1-2464-01MD	166	2-1732-MI-1	174	2-2151	182	2-2274	190
1-2465-01MD	166	2-1738-MI-1	174	2-2152	183	2-2275	191
1-2468-31MD	166	2-1750-ND	175	2-2153	183	2-2276-ND	191
1-2476-01ND	166	2-1760-DR-2	175	2-2154-1	183	2-2283-BO	191
1-2477-01ND	166	2-1766-HD	175	2-2155	183	2-2284-BO	191
1-2480-01MI	167	2-1766-HD-1	175	2-2156	183	2-2290-LU	191
1-2483-01DR	167	2-1767-HD	175	2-2157	183	2-2294-VA	191
1-2484-01DR	167	2-1767-HD-1	175	2-2158	183	2-2301-LU	191
1-2485-01DR	167	2-1775-HI	175	2-2159	183	2-2309-HI	191
1-2486-01DR	167	2-1781-MI	175	2-2160	184	2-2310-HI	191
1-2487-01DR	167	2-1785-ND	176	2-2161	184	2-2312-HI	192
1-2494-01HI	167	2-1791-ND	176	2-2162	184	2-2313-HI	192
1-2494-01HI-1	167	2-1872-HI	176	2-2163-2	184	2-2314-HI	192
1-2525-01VA	168	2-1916-HI-1	176	2-2164	184	2-2315-HI	192
1-2820-01HI-2	168	2-1925-BO	176	2-2165	184	2-2316-HI	192
1-2824-01ND-2	168	2-1931-ND	176	2-2166	184	2-2317-HI	192
1-2834	168	2-1931-ND-3	176	2-2167-HI	184	2-2322-DR-2	192
1-2835-2	168	2-1931-ND-4	176	2-2168-HI	185	2-2322-DR-3	192
1-2835-3	168	2-1931-ND-5	177	2-2169-ND	185	2-2323-DR-2	192
1-2835-4	168	2-1946-BO	177	2-2169-ND-3	185	2-2323-DR-3	193
1-2835-5	169	2-1948-HI	177	2-2169-ND-4	185	2-2324	193
1-2837-01DR-2	169	2-1960-ND-2	177	2-2169-ND-5	185	2-2325-BO	193
1-2874-01HI	169	2-1963-MI	177	2-2175-UT	185	2-2339	193
1-2879-01ND	169	2-1999-DR-2	177	2-2176	185	2-2340-LU	193
1-2880-01VA	169	2-1999-DR-3	177	2-2177	185	2-2361-DR	193
1-2881-00VA	169	2-1999-MD	177	2-2178-MT	186	2-2361-DR-2	193
1-2882-00VA	169	2-2006-HI	178	2-2179-MT	186	2-2362-BO	193
1-2883-00VA	169	2-2007-HI	178	2-2180-MT	186	2-2398-UT	193
1-2884-00VA	170	2-2008-HI	178	2-2181-MT	186	2-2405	194
1-2885-01	170	2-2009-HI	178	2-2182-MT	186	2-2407	194
1-2885-01-1	170	2-2010-HI	178	2-2183	186	2-2408	194
1-2886-01VA	170	2-2011-HI	178	2-2184-MT	186	2-2413-UT-2	194
1-2887	170	2-2013-HI	178	2-2185-MT	186	2-2417-MT-2	194
1-2887-01VA	170	2-2015-HI	178	2-2186-MT	187	2-2425-MT-2	194
1-2888	170	2-2016-HI	179	2-2187	187	2-2432-UT	194
1-2889	170	2-2022-DR	179	2-2188	187	2-2443-MT-2	194
1-2890	171	2-2022-ND	179	2-2189	187	2-2450-UT-2	195
1-2891-00MI	171	2-2026-HI	179	2-2190	187	2-2451-HI-2	195
1-2952-01MI	171	2-2035-ND	179	2-2191	187	2-2452-HI-2	195
1-2966-01ND	171	2-2043-ND	179	2-2192	187	2-2471-DR	195
1-2996-01DR	171	2-2073-UT	179	2-2193	187	2-2498	195
1-3045-01DR	171	2-2074-UT	180	2-2194	188	2-2500	195
1-3045-02DR	171	2-2075-UT	180	2-2195-UT	188	2-2501	195
2-1032-ND	171	2-2076-UT	180	2-2196	188	2-2502	195
2-1167-MI	172	2-2077-UT	180	2-2208	188	2-2505-HI	196
2-1193-ND	172	2-2078-UT	180	2-2241	188	2-2506-HI	196
2-1267-BO-2	172	2-2079-UT	180	2-2242	188	2-2509	196
2-1288-BO	172	2-2080-UT	180	2-2244	188	2-2516-HI	196
2-1340-BO	172	2-2081-UT	180	2-2245	188	2-2517-HI	196

# PART NUMBER INDEX

PART NO.	PAGE NO.	PART NO.	PAGE NO.	PART NO.	PAGE NO.	PART NO.	PAGE NO.
2-2518-HI	.196	2-2788-UT-2	.204	2-2997-MI	.211	50-8422	.219
2-2519-HI	.196	2-2789-UT-2	.204	2-2999-MT	.212	50-8430	.219
2-2530	.196	2-2790-MT-2	.204	2-3005-BO	.212	50-8438	.219
2-2531	.196	2-2791-MT-2	.204	2-3037-BO	.212	50-9101-1	.219
2-2532	.196	2-2796-2	.204	2-3042-BO	.212	50-9105-1	.220
2-2534	.197	2-2797-2	.204	2-3066	.212	50-9107	.220
2-2538	.197	2-2798-MT-2	.204	2-3079-UT	.212	50-9108	.220
2-2543-MT-2	.197	2-2799-MT-2	.205	2-3080-UT	.212	50-9109-1	.220
2-2569-MI	.197	2-2800-2	.205	2-3081-UT	.212	50-9110-1	.220
2-2580-DR	.197	2-2854	.205	2-3082-ND	.212	50-9122-1	.220
2-2591-DR-2	.197	2-2855-UT	.205	2-3083-ND	.212	50-9124-1	.220
2-2592-DR	.197	2-2861-ND	.205	2-3084-ND	.213	50-9200	.220
2-2622-BO	.197	2-2861-ND-1	.205	2-3142-DR	.213	50-9200-1	.220
2-2641-ND	.198	2-2880	.205	2-3144-UT	.213	82-6850	.221
2-2642-UT	.198	2-2889-ND	.205	2-3145	.213	82-6851	.221
2-2643-ND	.198	2-2893-VA	.206	2-3146-UT	.213	82-6852	.221
2-2644-ND	.198	2-2894-DR	.206	2-3147-UT	.213	82-6852-1	.221
2-2646-ND	.198	2-2895-MT	.206	2-3148-UT	.213	82-6853	.221
2-2648-ND	.198	2-2896-MT	.206	2-3149-ND	.213	82-6854	.221
2-2650-PL	.198	2-2897-MT	.206	2-3150-MT	.213	82-6854-1	.221
2-2656-ND	.198	2-2898-MT	.206	3-1007-01HI-1	.214	82-6856	.221
2-2658-ND	.199	2-2899-DR	.206	3-1012-01HI-1	.214	82-6857	.222
2-2660-ND	.199	2-2900-FD	.206	3-1013-01HI-1	.214	82-6865	.222
2-2663-UT	.199	2-2901-FD	.206	3-1014-01HI-1	.214	82-6867	.222
2-2664-MI	.199	2-2902-FD	.207	3-1015-01HI-1	.214	82-6867-1	.222
2-2665-MI	.199	2-2903-FD	.207	3-1016-HD	.214	82-6870	.222
2-2667-ND	.199	2-2904-FD	.207	3-1016-HD-1	.214	82-6882	.222
2-2668-MI	.199	2-2906-CH	.207	3-1017-01HI	.214	82-6885	.222
2-2688-ND	.199	2-2907-CH	.207	3-1018-DR	.214	82-6889	.222
2-2705-ND-2	.200	2-2908-DR	.207	3-1019-DR	.215	82-6891-2	.223
2-2709-ND-2	.200	2-2909-DR	.207	3-1020-DR	.215	82-6892	.223
2-2726-ND-2	.200	2-2909-DR-1	.208	3-1022-01HI-1	.215	82-6893	.223
2-2727-ND-2	.200	2-2910-DR	.208	3-1023-MD	.215	82-6894	.223
2-2728-HI-2	.200	2-2911-UT	.208	3-1024-MD	.215	82-6895	.223
2-2732-ND-2	.200	2-2912-PL	.208	3-1025-01DR-2	.215	82-6896	.223
2-2733-ND-2	.200	2-2913-ND	.208	20-117-1	.215	82-6897	.223
2-2734-ND-2	.200	2-2914-DR	.208	20-118-1	.215	82-6898	.223
2-2735-ND-2	.201	2-2915-VA-1	.208	20-119-1	.216	82-6899	.224
2-2738-HI-2	.201	2-2916-VA	.208	20-124-1	.216	82-6899-1	.224
2-2739-HI-2	.201	2-2917-VA	.209	20-125-1	.216	82-7850	.224
2-2740-ND-2	.201	2-2918-MT	.209	20-127-1	.216	82-7851	.224
2-2741-ND-2	.201	2-2919-MT	.209	20-132-1	.216	82-7852	.224
2-2742-MT-2	.201	2-2920-MT	.209	20-159-1	.216	82-7853	.224
2-2743-ND-2	.201	2-2921-MT	.209	20-159-2	.216	82-7854	.224
2-2744-ND-2	.201	2-2922-ND	.209	20-159-3	.216	82-7855-2	.224
2-2745-MT-2	.202	2-2923-DR	.209	20-159-4	.216	82-7856	.225
2-2746-ND-2	.202	2-2924-DR	.209	20-178-1	.217	82-7857	.225
2-2747-ND-2	.202	2-2926-ND	.209	20-502-1	.217	82-7859	.225
2-2750-FD-2	.202	2-2936-ND	.210	20-1163-1	.217	82-7863-2	.225
2-2751-FD-2	.202	2-2937-ND	.210	50-100-2	.217	82-7864	.225
2-2752-DR-2	.202	2-2938-ND	.210	50-103-2	.217	82-7864-2	.225
2-2755-2	.202	2-2942-ND	.210	50-104-2	.217	82-7865	.225
2-2756-UT-2	.202	2-2943-MT	.210	50-108-2	.217	82-7866	.225
2-2759-MT-2	.202	2-2944-ND	.210	50-111	.217	82-7867	.226
2-2760-ND-2	.203	2-2945-ND	.210	50-150-2	.217	82-7868	.226
2-2764-MT-2	.203	2-2946	.210	50-151-2	.218	82-7869	.226
2-2765-MT-2	.203	2-2947	.210	50-152-2	.218	82-68100	.226
2-2766-MT-2	.203	2-2961	.211	50-153-2	.218	82-68101	.226
2-2767-ND-2	.203	2-2962	.211	50-159-1	.218	82-68102	.226
2-2768-1	.203	2-2963	.211	50-8404	.218	82-68103	.226
2-2768-2	.203	2-2964	.211	50-8405	.218	82-68104	.226
2-2769-ND-2	.203	2-2965	.211	50-8406-2	.218		
2-2782-DR-2	.203	2-2966	.211	50-8407	.218		
2-2782-VA-2	.203	2-2967	.211	50-8410	.219		
2-2783-UT-2	.204	2-2968	.211	50-8420	.219		
2-2787-MT-2	.204	2-2973-ND	.211	50-8421	.219		



Distributed by:

A large white rectangular area intended for the distributor's name and contact information.

