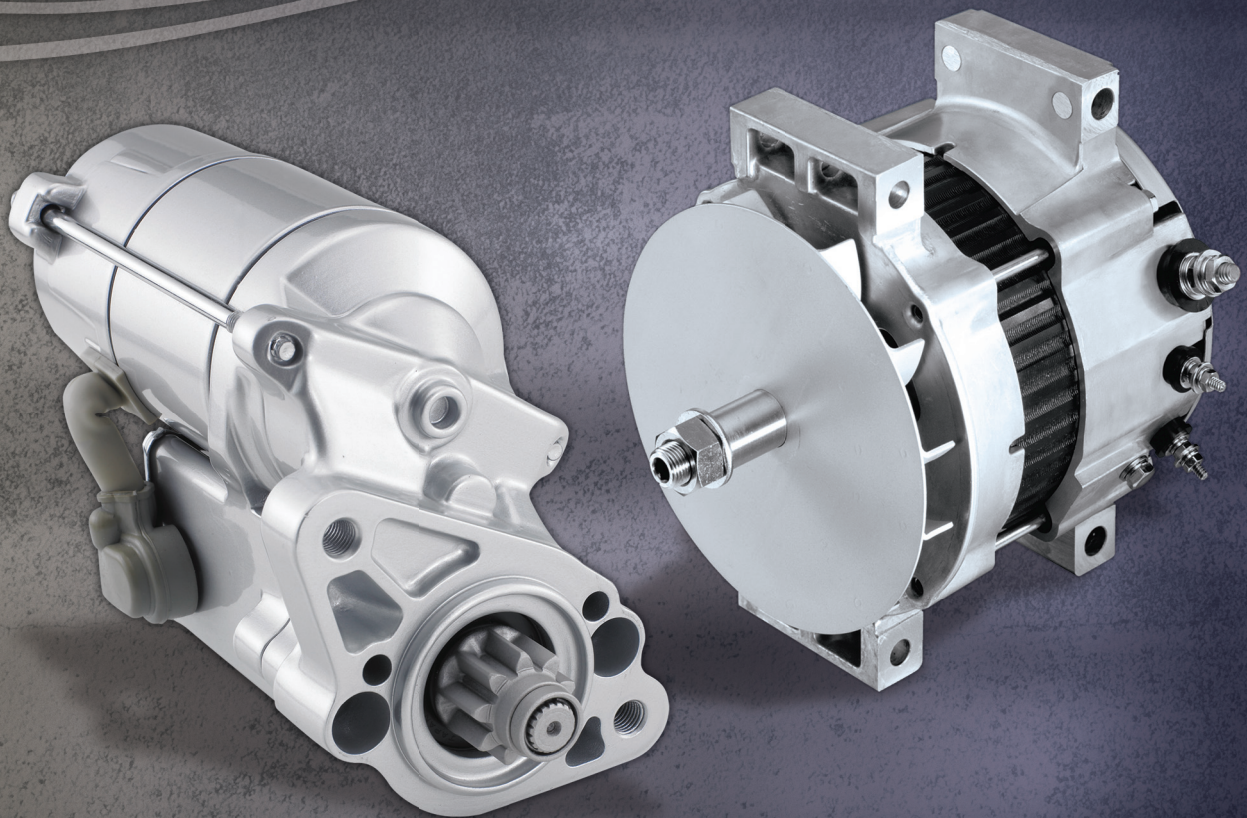


2010

DENSO STARTER & ALTERNATOR DELIVERS

MEDIUM/HEAVY DUTY CATALOG



HEAVY DUTY

January 2010 • HDSA-CAT-0110
Supercedes Catalog HDSA-CAT-1207

CHECK OUT THE ENTIRE FAMILY OF DENSO PARTS FOR THE AFTERMARKET.



DENSO First Time Fit Fuel Pumps

DENSO First Time Fit Oxygen Sensors

DENSO First Time Fit Starters & Alternators

DENSO First Time Fit A/C Components

DENSO First Time Fit Wiper Blades

DENSO First Time Fit Filters



DENSO Spark Plugs & Ignition Wire Sets For Automotive Applications

DENSO Heavy Duty A/C Compressor & Components Applications

DENSO Spark Plugs For Small Engine Applications

DENSO Heavy Duty Starter & Alternator For Lift Truck Applications

DENSO Heavy Duty Applications

To obtain a copy of any of these catalogs, call 1.888.96.DENSO.



For the latest updates and product information visit: www.DensoAftermarket.com

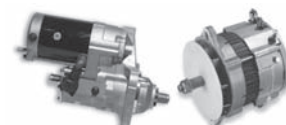


TABLE OF CONTENTS

Company Profile **2**
Images and Schematics on the Web **3**

GENERAL INFORMATION

Battery Visual Inspection & Performance Testing **4**
Troubleshooting the Alternator **6**
Troubleshooting the Starter **9**
Kilowatts to Horsepower Conversion Chart **14**

ALTERNATOR APPLICATION INFORMATION

Brushless Alternator Series **16**
Alternator Applications by Manufacturer **17**

STARTER APPLICATION INFORMATION

R5.0 Starters **140**
Flywheel Charts **156**
Starter Applications by Manufacturer **159**

PRODUCT INFORMATION

Alternator Photo Guide **334**
Starter Photo Guide **342**
DENSO to OEM Cross Reference **361**
Cross Reference by Manufacturer **381**

ABOUT DENSO

An OE Heritage

DENSO is one of the world's largest automotive component suppliers with over \$32 billion in annual sales. We supply every major auto manufacturer in the world, providing them with the quality and innovation they need to remain on the leading edge of automotive technology. In addition to our automotive customers, we also supply components to virtually all heavy-duty manufacturers worldwide. For decades, we have helped all of our customers to become giants in their industries.

Unsurpassed Quality

At DENSO, we know that one of the major keys to success for our company and our customers is an unwavering commitment to quality. We strive for, and achieve, zero defects for parts manufactured in the millions in DENSO facilities that are QS9000, ISO9000, and ISO14000 certified. This dedication to quality is clearly recognized by the industry as DENSO has received such prestigious awards as the Deming Award for Quality, the J.D. Power and Associates Chairman's Award and numerous supplier awards for quality from companies like Toyota, Lexus, General Motors and DaimlerChrysler.

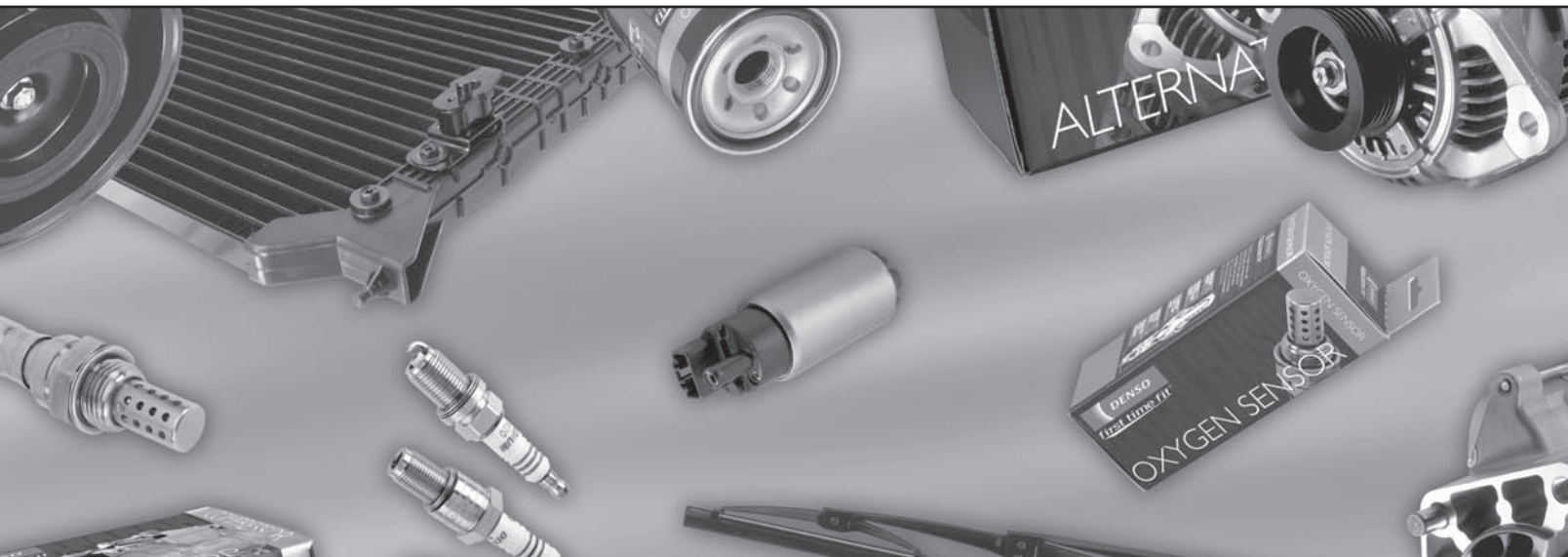
Bringing It All To The Aftermarket

In the 1980s, DENSO became the first to mass-produce the platinum spark plug and offer it in the aftermarket. A decade later we introduced the world's most advanced spark plug, Iridium Power®, which revolutionized the concept of the aftermarket performance plug. By the late 1990s, the world watched with great interest as DENSO unveiled a line of OE-standard premium replacement components under the First Time Fit® brand. Today, the First Time Fit line of products includes A/C compressors, cabin air filters, condensers, receiver driers, expansion valves, starters, alternators, oxygen sensors, fuel pumps, oil and air filters, ignition wire sets and wiper blades.

DENSO is one of the world's largest automotive component suppliers with over \$32 billion in annual sales.

Better By Design

As you can see, we've spent decades perfecting our craft — a claim few automotive component manufacturers can make. Clearly the DENSO commitment to quality, innovation, and advanced technology is the reason our automotive and heavy-duty components truly are Better by Design.





IMAGES, SCHEMATICS & UPDATED APPLICATIONS ON THE WEB

Additional images, schematics and updated applications are available on our website. Log on to www.DensoHeavyDuty.com and click the "Find My Part" link at the top of the page.

You can look up applications by DENSO part number, product category or competitor cross-reference number.

The image displays two screenshots of the Denso Heavy Duty website. The top screenshot shows the main homepage with navigation menus (HOME, WHY DENSO, FIND MY PART, DISTRIBUTOR SEARCH, DOWNLOADS, MOTORSPORTS, FAQ, SITE MAP), a search bar, and a 'DENSO Heavy Duty' header. Below the header is a navigation sidebar with categories like Construction/Agricultural, Industrial, Commercial Vehicle Fleet, Lawn & Garden, and RV. The main content area features a large image of various Denso components with the text 'A leading global supplier of advanced technology, systems and components, DENSO serves all the world's major automakers.' Below this is a 'DENSO PRODUCTS' section with sub-categories: Agricultural Construction, Industrial, Commercial Vehicle Fleet, Lawn & Garden, and RV. A 'NEWS & EVENTS' section is also visible.

The bottom screenshot shows the 'Find My Part' search interface. It features a search form with the following fields and options:

- Search Method: By Application, By Part Number, Cross Reference
- Part Type: Alternators, Compressors, Spark Plugs, Starters
- Make:
- Engine:

Below the search form, there are instructions: 'Instructions: Make your search selection from the options above. Simply click if you're searching by application, part number, or a cross reference. After making your selection, the sub-menu will change to reflect the new options available to you. For further help, or if you have any questions, comments, or suggestions, please CONTACT US.'



BATTERY VISUAL INSPECTION AND PERFORMANCE TESTING

The following general information has been assembled as a guide for battery inspection and testing. Refer to the appropriate Original Equipment Manufacturer's service manual for specific information pertaining to battery inspection and testing procedures and safety precautions for your vehicle.

Before performing any electrical system diagnosis or repair, make sure the battery has been visually inspected, performance tested and is fully charged.

Visual Inspection

Before a performance test can be conducted, it is necessary to inspect the battery for visual defects and adjustments.

1. Make sure the battery is the proper size and type for the vehicle application. Compare the Cold Cranking Amps (CCA) rating, physical size and post orientation of the battery to the vehicle manufacturer's specification.
Note: The cranking amps (CA) rating is different than the CCA rating!
2. Make sure the battery does not have loose posts, and the case is not cracked, bulging, or showing signs of leaking fluid.
3. Make sure the battery surface is free of dirt and moisture. A battery top having dirt and or moisture may cause a parasitic discharge condition. Also, if the battery top is wet, it may be a sign of an overcharge condition.
4. Make sure the battery connections are clean and corrosion free. This includes the ground connections at the frame and connections at the starter solenoid.
5. Make sure the battery cables are properly sized.
6. Make sure the battery cables have no frayed wires and the insulation is in tact.
7. Grasp the battery cables and make sure they are flexible and bend freely. If popping or crackling sounds are heard while bending the cables, this is an indication of corrosion under the insulation. Replace with new cables if corrosion exists.
8. Check the electrolyte solution if the battery has access. If the solution is low, add enough distilled water to bring the level up just below the filler tube. The plates must be covered at all times with the electrolyte solution while maintaining enough room for expansion of the solution.
9. Finally, check that the battery is properly secured. Do not over-tighten the mounting bracket(s). This may cause damage to the case and internal components.



Performance Testing

Before performance testing can take place on the battery, a visual check must be done to determine if the battery's physical condition is adequate for proper operation.

1. Make sure the battery is sized correctly for the vehicle. Compare the Cold Cranking Amps (CCA) rating of the battery to the vehicle manufacturer's specification.
Note: The cranking amps (CA) rating is different than the CCA rating!
2. If the electrolyte solution has been adjusted during the visual inspection, charge the battery for 15 minutes at 15 to 25 amps. This will mix the water and electrolyte to give a more accurate reading while checking the open circuit voltage.
3. Charge the battery to obtain at least 12.6 volts (full charge). After charging the battery apply a 150 amp load for 10 to 15 seconds to remove any surface charge, stabilizing the open circuit voltage. Check the open circuit voltage. If 12.6 volts or above is not measured, replace the battery and continue to evaluate the charging system. If the open circuit voltage is 12.6 volts or above, load-test the battery. A load-test measures the battery's ability to deliver power. A good battery will be capable of producing one-half of its CCA rating for 15 seconds and maintain a voltage reading of 9.6 volts adjusted at 70°F or above (Table 1).

Table 1

Temperature	Voltage
70° (21°C) and above	9.60
60° (16°C)	9.50
50° (10°C)	9.40
40° (4°C)	9.30
30° (-1°C)	9.10
20° (-7°C)	8.90
10° (-12°C)	8.70
0° (-17.8°C)	8.50



TROUBLESHOOTING THE ALTERNATOR

Charging System Diagnosis

The following general information has been assembled as a guide for charging system diagnosis. Refer to the appropriate Original Equipment Manufacturer's service manual for specific information pertaining to charging system diagnostic procedures and safety precautions for your vehicle.

Bench Testing

If an alternator test bench is available, follow the procedures found in the bench tester's instruction manual to conduct an alternator performance test. This test will determine if the alternator output is within its performance specification, preventing unnecessary alternator replacement.

If the alternator output is within specification during bench testing, resolve problems in the remainder of the vehicle's charging circuit and other electrical circuits that may affect charging circuit performance. Refer to the vehicle manufacturer's service manual for the procedures necessary to identify and correct additional charging circuit problems.

If the test bench results show the alternator output to be out of specification, replace the alternator. Follow the vehicle manufacturer's recommended procedures to inspect the remainder of the charging circuit and other electrical circuits that may affect charging circuit performance.

NOTE: If the alternator being tested has an internal regulator, and the bench test identifies the regulator as defective, it may be possible to replace the internal regulator and return the alternator to service. If the regulator is replaced and the alternator returned to service, follow the vehicle manufacturer's recommended procedures to inspect the remainder of the charging system and other electrical circuits that may affect charging circuit performance.

Whether or not a test bench was used to determine the condition of the alternator, the following Helpful Tips have been assembled to help isolate conditions that may affect charging circuit performance.

Helpful Tips

1. What is the condition of the battery?

- A visual inspection and a performance test of the battery must always be performed before inspecting the charging system. The battery must be fully charged (12.6 volts) and the battery cables, terminals and case in good clean condition. (refer to Battery Visual Inspection and Performance Testing).

2. Does a charge lamp, amperage (amp) gauge or voltmeter indicate a charging system problem?

Charge Lamp:

- Ignition ON engine not running
The charge lamp should illuminate.
- Ignition ON engine running
The charge lamp should illuminate briefly then turn OFF.
- Weak Battery
A weak battery can cause the charge lamp to illuminate during high amperage draw.
- Low Idle
A low idle can cause the charge lamp to illuminate dimly.



- Poor Wiring
Corroded, broken, loose or frayed wires/connections could cause the charge lamp to illuminate during idle.
- Open Charge Lamp
Some charging systems will not properly operate if the charge lamp bulb fails.

Amp Gauge:

- Ignition ON engine not running
The amp gauge should read zero or slightly below.
- Ignition ON engine running
The amp meter should display a current output above zero. It will display a different level of charge depending on what electrical circuits are operating. A negative charge indicates the battery is discharging quicker than the charging system can supply current.
- Wires and connectors
Corroded, broken, loose or frayed wires/connections could cause zero or erratic readings on the gauge.

Voltmeter:

- Ignition ON and engine not running
Gauge readings should be between 12.0 and 12.6 volts with the ignition ON and the engine not running. A readings below 12 volts could indicate insufficient charging, low battery, corroded, broken, loose or frayed wires/connections.
- Ignition ON and engine running
Gauge readings should be between 13.0 and 14.2 volts with the ignition ON and the engine running. A reading exceeding 14.2 volts could indicate a bad battery, failed regulator or poor wire connections. A reading below 13.2 volts could indicate a failed alternator or corroded, broken, loose or frayed wires/connections.

3. Are any fuses open?

- Check the fuses in all the fuse box(s). An open fuse indicates circuit problem(s) which may have an affect on the charging circuit. Check the owners manual or the manufacturer's service manual for the location of each fuse box.

4. Is the fuseable link(s) open?

- There may be several fuseable links controlling battery voltage to the vehicle's electrical circuits. If a fusible link is open, supply voltage will be completely lost to all electrical systems or to the electric circuit(s) that the open fuseable link controls. Check the owners manual or the manufacturer's service manual for the location of each fuseable link.

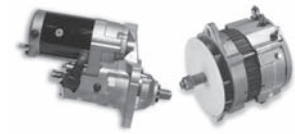
5. Is the alternator's drive belt tension within specification?

Too loose

- If the drive belt is too loose, it will slip around the pulley causing the alternator to charge irregularly or not at all.

Too tight

- If the drive belt is too tight, internal bearing damage will cause premature alternator failure.



6. Is the alternator's drive belt in good condition and the proper size?

Worn or too narrow

- If the alternator's drive belt is worn or too narrow, it will slip around the pulley causing the alternator to charge irregularly or not at all.

New drive belt

- A "new" alternator drive belt is a belt that has been used for less than 5 minutes. Once an alternator drive belt has been used for longer than 5 minutes, it is considered a "used" belt. It is important to check and adjust the belt's tension to specification after the initial 5 minutes of operation.

7. Has the vehicle been modified or additional equipment installed after it left the factory?

Accessories

- Non factory accessories such as phones, computer outlets, televisions, refrigerators, stereo equipment or lights can overburden alternator performance and cause premature failure.

Improper accessory installation

- Improper accessory installation procedures can cause charging problems. Some of these problems may include poor ground points, loose connections or improper wiring.

8. Has any work been performed on the vehicle?

Electrical ground points

- Check the ground circuits between the battery and engine and also from the vehicle body to the frame for high resistance. Many times when a vehicle has been repaired, the ground point(s) are disturbed or not re-secured properly.

Multiple electrical grounds

- With multiple ground vehicles, each electrical circuit is assigned to one or more ground points. If a circuit is activated while another electrical system is being operated, feedback from the controlled circuit due to a poor ground associated with the controlled circuit may be the cause.



TROUBLESHOOTING THE STARTER

Starter System Diagnosis

The following general information has been assembled as a guide for starter circuit diagnosis. Refer to the appropriate Original Equipment Manufacturer's service manual for specific information pertaining to starting system diagnostic procedures and safety precautions for your vehicle.

Bench Testing

If a starter test bench is available, follow the procedures found in the bench tester's instruction manual to conduct a starter performance test. This test will determine if the starter's operation is within its performance specification preventing unnecessary starter replacement.

If the starter's performance is within specification during bench testing, resolve problems in the remainder of the vehicle's starting system and other electrical circuits that may affect starting circuit performance. Refer to the appropriate vehicle manufacturer's service manual for the procedures and circuit schematics necessary to identify and correct additional starting circuit problems.

If the test bench results show the starter's performance to be out of specification, replace the starter. Continue to inspect the remainder of the starting system. Refer to the appropriate vehicle manufacturer's service manual for the procedures and circuit schematics necessary to identify and correct additional starting circuit problems.

NOTE: If the starter solenoid is part of the starter assembly being tested, and the bench test identifies the solenoid as defective, it may be possible to replace the solenoid only and return the starter to service. If the solenoid is replaced and the starter is returned to service, refer to the appropriate vehicle manufacturer's service manual for the procedures and circuit schematics necessary to identify and correct additional starting circuit problems and other electrical circuits that may affect starting circuit performance.

Whether or not a test bench was used to determine the condition of the starter, the following Helpful Tips have been assembled to help isolate conditions that may affect starting system performance.

Helpful Tips

1. Does the starter turn the engine too slowly?

- The battery must be fully charged (12.6 volts) and the battery cables and terminals in good condition (refer to Battery Visual Inspection and Performance Testing).
- Advanced engine timing will produce combustion forces working against engine rotation. These forces will be transmitted to the starter during starter engagement, reducing the starter's performance capability.
- Excessive engine oil viscosity, particularly in cold weather environments when the oil's viscosity is greatly affected, will reduce the ability of the engine to rotate. This increase in engine drag will be transmitted to the starter during starter engagement, reducing the starter's performance capability.
- Engine modifications change the operating characteristics of the engine. If modifications are performed, a chance of additional forces acting against the starter will be introduced. The starter should be replaced with one meeting the new operating characteristics of the engine.



2. Does the starter fail to crank the engine?

- The starter is designed to turn at a specified RPM. If the battery connections or cables are corroded or dirty, this will cause the starter to turn slower than the specified RPM. Be sure that all battery connections and cables are clean and secured properly.

3. Does the starter turn without turning the engine?

- The flywheel or flexplate transfers the rotational energy of the starter to the engine. If the starter is turning but not the engine, check all the teeth on the flywheel/flexplate to see if they are excessively worn, damaged or missing. Inspecting the flywheel/flexplate teeth can be performed through the starter mounting port if an inspection plate is not available. Check all the teeth on the flywheel/flexplate.
- A failed starter drive assembly could produce similar symptoms as a damaged flywheel/flexplate. If the starter pinion meshes properly with the flywheel/starter and does not rotate, the starter should be inspected for mechanical wear or damage.
- The starter maybe installed upside down. Check the installation instructions.

4. Does the starting system click when activated?

- If clicking is heard when activating the starter control circuit and the starter does not turn, the solenoid may not be receiving the voltage necessary to be activated fully. Check the starter control circuit wiring for damaged, loose, dirty or corroded connections.
- If the solenoid is receiving proper voltage, the solenoid may have burnt contacts. Follow the vehicle manufacturer's recommended procedures and safety precautions to inspect the solenoid.
- Check battery voltage. Recharge or replace if necessary.

5. Is there a clattering noise when trying to start the engine?

- Clattering may be associated with physical damage to the flywheel/flexplate. Inspect the flywheel/flexplate completely for cracks, dents, roundness balance etc.
- An inoperable starter solenoid or a damaged starter may also cause clattering. Follow the vehicle manufacturer's recommended procedures and safety precautions to inspect the solenoid and starter.
- The battery must be fully charged (126 volts) as per the battery manufactures recommendations and the battery cables and terminals in good, clean condition (refer to Battery Visual Inspection and Performance Testing)



ALTERNATOR REMOVAL & INSTALLATION

The following general information has been assembled as a guide for alternator removal and installation. Refer to the appropriate Original Equipment Manufacturer's service manual for specific information pertaining to alternator removal and installation procedures and safety precautions for your vehicle.

Removal Information

1. Disconnect the negative battery cable from the vehicle
CAUTION: Personal injury or damage to the vehicle or its components may occur if this step is not performed
2. Identify each wire connection and note the location of each on the alternator
3. Disconnect the wires from the alternator
4. Loosen the alternator pivot bolt Do not remove the bolt at this time
5. Loosen the tension assembly's lock nut or bolt and turn the adjustment bolt so that drive belt tension is reduced far enough to allow belt removal Some vehicles may be equipped with an automatic, spring-loaded tensioner Rotate the spring-loaded tensioner using the appropriate tool far enough to allow drive belt removal
6. Remove the drive belt(s) from the alternator
7. Support the alternator and remove the bolts holding the alternator in place Set the bolts and alternator aside Be sure to note bracket orientation and fastener length and location before removing the alternator
8. Inspect the condition of the wiring and connectors Inspect for frayed wire ends, continuity, loose or broken connectors, corrosion and pliability Repair or replace as necessary.

Installation Information

1. Physically compare the replacement alternator to the original Compare the case and pulley offsets, pulley size and type, pivot and adjustment hole locations and wire connector locations or rear housing clocking with the original alternator.
2. Install the mounting bracket(s) Do not completely tighten the bolts at this time
3. Support the alternator and fasten it into position Do not completely tighten the bolts at this time
4. Install the drive belt(s) If the drive belt(s) was found to be worn, stretched, cracked, oily or glazed during the charging system inspection, replace the belt(s)
5. Set the belt tension while tightening the mounting and adjusting bolts Be sure to set the belt tension and torque the mounting bolts to the vehicle manufacturer's recommended specifications
CAUTION: DO NOT pry or hit the alternator housing to adjust belt tension
6. Check the drive belt alignment between the alternator pulley and drive pulley(s) Be sure there is no interference



between the drive belt(s) and other components

7. Re-connect the wire connector(s) to their proper location on the alternator. Be sure there is no interference between the wire harness and other components
8. Re-inspect that all components are correctly installed, all threaded fasteners properly torqued and there is no interference between components
9. Re-connect the battery negative cable
10. Start the engine and be sure there is no interference between components. Let the engine idle for 5 minutes to break-in the drive belt(s). Re-adjust the drive belt(s) using the "used" tension specification
11. Shut the engine off and re-inspect that all components are correctly installed, all fasteners properly torqued and there is no interference between components
12. Re-test the charging system to verify it is performing to the vehicle manufacturer's specifications



STARTER REMOVAL & INSTALLATION

The following general information has been assembled as a guide for starter removal and installation. Refer to the appropriate Original Equipment Manufacturer's service manual for specific information pertaining to starter removal and installation procedures and safety precautions for your vehicle.

Removal information

1. Disconnect the negative battery cable from the vehicle.
CAUTION: Personal injury or damage to the vehicle or its components may occur if this step is not performed.
2. Identify each wire connection and note the location of each on the starter
3. Disconnect the battery positive cable from the starter motor or the starter solenoid if the solenoid is attached to the starter motor.
4. Disconnect the starter's control circuit wiring from the starter solenoid if the solenoid is attached to the starter motor.
5. Loosen the starter mounting bolts. Do not remove the bolts at this time.
6. Support the starter and remove the bolts holding the starter in place. Set the bolts and starter aside. Be sure to note fastener size and location when removing from the starter.
7. Inspect all the flywheel/flex plate teeth. Perform the inspection through the starter mounting port if an inspection plate is not available.

Installation information

1. Physically compare the replacement starter to the original. Compare the case, nosecone and mounting offsets, mounting hole locations, drain tube location, wire connector locations and nose cone clocking with the original starter.
2. Support the starter and fasten it into position. Torque the bolts to the vehicle manufacturer's specification.
3. Re-connect the starter's control circuit wiring to the starter solenoid if the solenoid is attached to the starter motor. Be sure there is no interference between the wire harness and other components. Torque all threaded fasteners to the vehicle manufacturer's specification.
4. Re-connect the battery positive cable to the starter motor or the starter solenoid if the solenoid is attached to the starter motor. Torque all threaded fasteners to the vehicle manufacturer's specification.
5. Re-inspect that all components are correctly installed, all threaded fasteners properly torqued and there is no interference between components.
6. Re-connect the battery negative cable. Torque all threaded fasteners to the vehicle manufacturer's specification.
7. Check the starter for proper operation.



KILOWATT TO HORSEPOWER CONVERSION

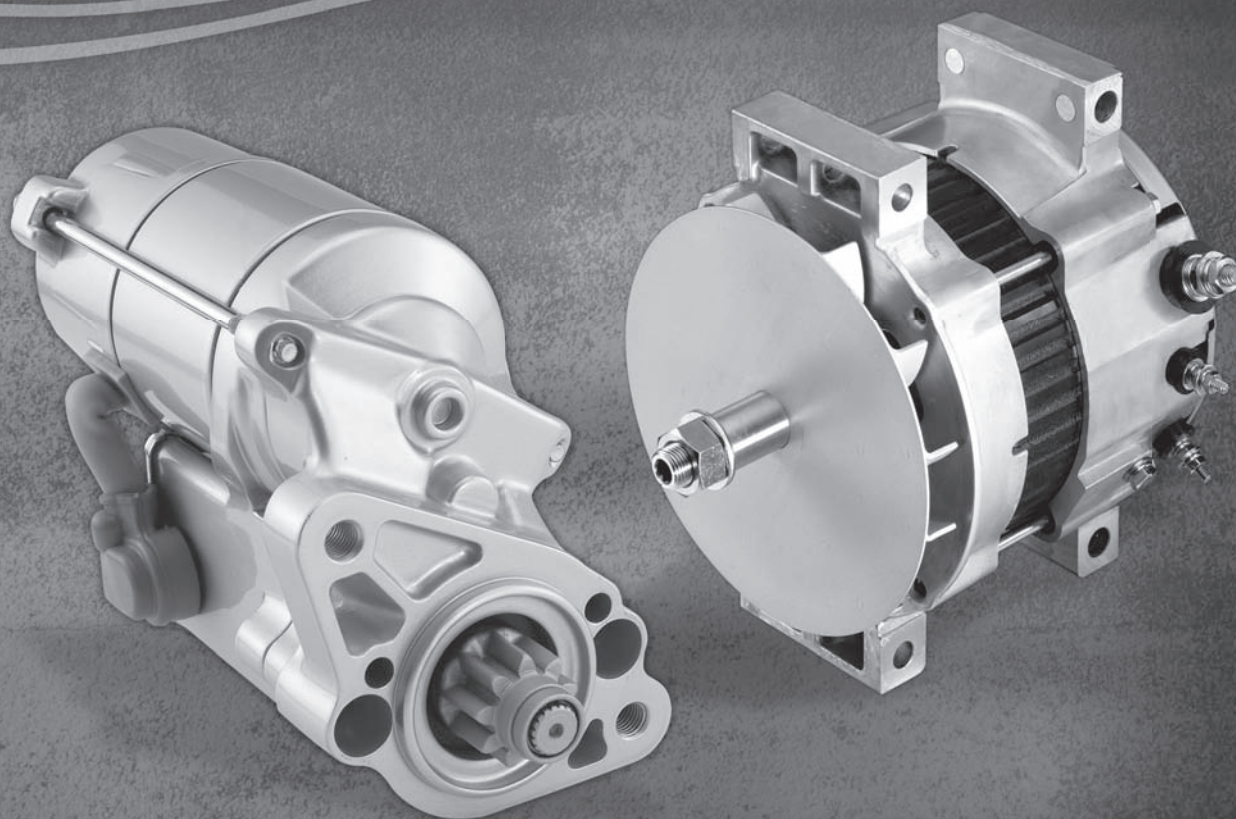
kW	hp
0.5	0.67
0.6	0.80
0.7	0.93
0.8	1.07
0.9	1.21
1.0	1.34
1.2	1.61
1.4	1.88
1.8	2.41
2.0	2.68
2.2	2.95
2.5	3.35
2.7	3.62
3.0	4.02
3.2	4.29
4.0	5.36
4.5	6.03
5.0	6.70
5.5	7.37
7.5	10.05
8.0	10.72

1 kW = 1.34hp

1hp = .75kW

DENSO ALTERNATOR DELIVERS

APPLICATION INFORMATION



The material contained in this catalog is based on information available at the time of publication, and while DENSO has taken great care to ensure the accuracy of information regarding each item, DENSO assumes no responsibility for loss or damage resulting from reliance on any information contained in this catalog. All specifications are subject to change without notice.



BRUSHLESS ALTERNATOR SERIES

12V 130 amp Pad Mount	12V 130 amp SAE J180 Mount	12V 105 amp SAE J180 Mount	12V 90 amp SAE J180 Mount
PART NUMBERS	PART NUMBERS	PART NUMBERS	PART NUMBERS
<p>10121-8380 R-Terminal - 10-24 UNC I-Terminal - 10-24 UNC Voltage Regulator - 14.2V ± 0.2V</p> <p>101211-8390 R-Terminal - 3mm pin Voltage Regulator - 14.2V ± 0.2V</p>	<p>101211-8030 B-Terminal - 1/4-20 UNC R-Terminal - 3mm pin Voltage Regulator - 14.2V ± 0.2V</p> <p>101211-8060 B-Terminal - 5/16-18 UNC R-Terminal - 10-24 UNC I-Terminal - 10-24 UNC Voltage Regulator - 14.0V ± 0.3V</p> <p>101211-8090 B-Terminal - 5/16-18 UNC R-Terminal - 10-24 UNC Voltage Regulator - 14.2V ± 0.2V</p> <p>101211-8120 B-Terminal - 5/16-18 UNC R-Terminal - 3mm pin Voltage Regulator - 14.2V ± 0.2V</p>	<p>101211-8020 B-Terminal - 1/4-20 UNC R-Terminal - 3mm pin Voltage Regulator - 14.2V ± 0.2V</p> <p>101211-8050 B-Terminal - 5/16-18 UNC R-Terminal - 10-24 UNC I-Terminal - 10-24 UNC Voltage Regulator - 14.0V ± 0.3V</p> <p>101211-8080 B-Terminal - 5/16-18 UNC R-Terminal - 10-24 UNC Voltage Regulator - 14.2V ± 0.2V</p> <p>101211-8110 B-Terminal - 5/16-18 UNC R-Terminal - 3mm pin Voltage Regulator - 14.2V ± 0.2V</p>	<p>101211-8010 B-Terminal - 1/4-20 UNC R-Terminal - 3mm pin Voltage Regulator - 14.2V ± 0.2V</p> <p>101211-8040 B-Terminal - 5/16-18 UNC R-Terminal - 10-24 UNC I-Terminal - 10-24 UNC Voltage Regulator - 14.0V ± 0.3V</p> <p>101211-8070 B-Terminal - 5/16-18 UNC R-Terminal - 10-24 UNC Voltage Regulator - 14.2V ± 0.2V</p> <p>101211-8100 B-Terminal - 5/16-18 UNC R-Terminal - 3mm pin Voltage Regulator - 14.2V ± 0.2V</p>
<p>SPECIFICATIONS</p> <p>Initial Output Starting RPM: 2,000 RPM Max. Allowable Max RPM: 10,000 RPM Operating Temperature: -30° C to 93° C Allowable Belt Load: 980N (100kgf) Max. Polarity: Case Grounded Direction of Rotation: Clockwise Approximate Weight: 22.5 lbs</p>		<p>SPECIFICATIONS</p> <p>Initial Output Starting RPM: 1,500 RPM Max. Allowable Max RPM: 10,000 RPM Operating Temperature: -30° C to 93° C Allowable Belt Load: 980N (100kgf) Max. Polarity: Case Grounded Direction of Rotation: Clockwise Approximate Weight: 22.5 lbs</p>	

24V 50 amp SAE J180 Mount	24V 65 amp SAE J180 Mount
PART NUMBERS	PART NUMBERS
<p>101211-8130 B-Terminal - 5/16-18UNC R-Terminal - 3mm pin Voltage Regulator - 28V ± 1.0V</p>	<p>101211-8140 B-Terminal - 5/16-18UNC R-Terminal - 3mm pin Voltage Regulator - 28V ± 1.0V</p>
<p>SPECIFICATIONS</p> <p>Initial Output Starting RPM: 1,500 RPM Max. Allowable Max RPM: 10,000 RPM Operating Temperature: -30° C to 93° C Allowable Belt Load: 980N (100kgf) Max. Polarity: Case Grounded Direction of Rotation: Clockwise Approximate Weight: 22.5 lbs</p>	



YEAR	ENGINE	VOLTS	AMPS	OEM PART NUMBER	NEW PART NUMBER	REMAN PART NUMBER	APPLICATION INFORMATION
ALLIS-CHALMERS							
1983	S4E	12	35	34468-10700 (Mit. Hvy Ind.)	100211-0350		
BOMBARDIER							
ROTAX							
1995	912	12	40	887251	101211-1020		
BOSS							
LIGHT TOWER							
1992-up	BGP64MH w/ D905-E Kubota Eng.	12	40		100211-4650	9760218-465	Available in Reman Only
CASE NEW HOLLAND							
BACKHOE LOADER							
	EEA 4.5L 6cyl	12	90	87422777	102211-9090		
	FPT 4.5L 6cyl	12	90	87422777	102211-9090		
CATERPILLAR							
1999-2006	Daihatsu	24	80	177-9953	101211-8270		
1985-Up	6D22, 6D14, 6D15, 6D143, 6D152, 6D161	24	30	ME070120, ME070120D	A2T72986	210-9013	Available in Reman Only
2000-2006	320C	24	50	169-3345	101211-8300		
2001-2006	D11R	24	80	235-7133	101211-8460		
2001-2006	D10	24	95	226-7683	101211-8400		Padmount
775F DUMP TRUCK							
	C27 (Acert)	24	95	226-7683	101211-8400		Padmount
1998		12	90	144-9964	102211-1820		
1998		12	90	144-9963	102211-1830		
1997		12	55	144-9954	101211-2770		
1995	914G	24	60	3E-7772	101211-7920		
1994	Perkins 1004	12	90	105-2813	101211-9020	9761219-902	
1985	P600	12	55	9W-2949	100211-2960		
1976	3204	12	40	6N-5460	021000-4970		
1976	D3	12	40	6N-5460	021000-4970		
	Perkins 1004	12	55	105-2812	101211-2310	9761219-231	
910 WHEEL LOADER							
1980	3204	12	75	8N-2268	100211-0250		
1980	D3	12	75	8N-2268	100211-0250		
931 TRAX CAV							
1979	3204	12	40	7N-4784	100211-0230		
BULLDOZER							
1994	3046	12	90	105-2814	101211-9010	9761219-901	
1994	K3AH	12	90	105-2814	101211-9010	9761219-901	
1993	3046	12	55	105-2811	101211-2240	9761219-224	
1993	G3B-M	12	55	105-2811	101211-2240	9761219-224	
1979	D3	12	40	7N-4784	100211-0230		
1978	D3	12	40	7N-6118	100211-0010		



YEAR	ENGINE	VOLTS	AMPS	OEM PART NUMBER	NEW PART NUMBER	REMAN PART NUMBER	APPLICATION INFORMATION
CATERPILLAR (continued)							
BULLDOZER (continued)							
1973	D3	12	40	4N-4540	021000-3030		
	D3	12	110	203-5492	102211-3030		
D3B (PAVING PRODUCTS)							
1986		12	55	8T-9700	100211-2970		
1986		12	55	8T-9700	121000-2510		Part of 100211-2970
D3-B-SA							
1986		12	55	9W-2648	100211-2950		
DOZER							
2000	924G	24	95	197-8820	101211-8340		J180
EXCAVATORS							
1989-1992	245D w/ 3406 Eng.	24	35	6N-9294	100211-0860	9760218-086	
1989-1992	245D w/ 3406 Eng.	24	50	5S-9088	100211-0890	9761219-610	
1988-1992	235C w/ 3306 Eng.	24	35	6N-9294	100211-0860	9760218-086	
1988-1992	235C w/ 3306 Eng.	24	50	5S-9088	100211-0890	9761219-610	
1987-1989	219	24	35	6N-9294	100211-0860	9760218-086	
1987-1989	215C	24	35	6N-9294	100211-0860	9760218-086	
1987-1989	219	24	50	5S-9088	100211-0890	9761219-610	
1987-1989	215C	24	50	5S-9088	100211-0890	9761219-610	
1986-1989	225B w/ 3304 Eng.	24	35	6N-9294	100211-0860	9760218-086	
1986-1989	227 w/ 3208 Eng.	24	35	6N-9294	100211-0860	9760218-086	
1986-1989	229 w/ 3304 Eng.	24	35	6N-9294	100211-0860	9760218-086	
1986-1989	225B w/ 3304 Eng.	24	50	5S-9088	100211-0890	9761219-610	
1986-1989	227 w/ 3208 Eng.	24	50	5S-9088	100211-0890	9761219-610	
1986-1989	229 w/ 3304 Eng.	24	50	5S-9088	100211-0890	9761219-610	
1986-1988	235B w/ 3306 Eng.	24	35	6N-9294	100211-0860	9760218-086	
1986-1988	235B w/ 3306 Eng.	24	50	5S-9088	100211-0890	9761219-610	
1985-1988	245 w/ 3406 Eng.	24	35	6N-9294	100211-0860	9760218-086	
1985-1988	245 w/ 3406 Eng.	24	50	5S-9088	100211-0890	9761219-610	
1985-1987	215B	24	35	6N-9294	100211-0860	9760218-086	
1985-1987	215B	24	50	5S-9088	100211-0890	9761219-610	
1985-1986	225 w/ 3208 Eng.	24	35	6N-9294	100211-0860	9760218-086	
1985-1986	235 w/ 3306 Eng.	24	35	6N-9294	100211-0860	9760218-086	
1985-1986	225 w/ 3208 Eng.	24	50	5S-9088	100211-0890	9761219-610	
1985-1986	235 w/ 3306 Eng.	24	50	5S-9088	100211-0890	9761219-610	
LANDFILL COMPACTORS							
1985-1996	816B w/ 3306 Eng.	24	50	5S-9088	100211-0890	9761219-610	
1985-1996	826C w/ 3406 Eng.	24	50	5S-9088	100211-0890	9761219-610	
LOGGING & FORESTRY LOADERS							
1985-1993	FB227 w/ 3208 Eng.	24	35	6N-9294	100211-0860	9760218-086	
1985-1993	FB227 w/ D23933208 Eng.	24	50	5S-9088	100211-0890	9761219-610	
MOTOR GRADERS							
1985-1995	120G w/ 3304 Eng.	24	35	6N-9294	100211-0860	9760218-086	
1985-1995	12G w/ 3306 Eng.	24	35	6N-9294	100211-0860	9760218-086	
1985-1995	130G w/ 3304 Eng.	24	35	6N-9294	100211-0860	9760218-086	
1985-1995	140G w/ 3304 Eng.	24	35	6N-9294	100211-0860	9760218-086	
1985-1995	14G w/ 3306 Eng.	24	35	6N-9294	100211-0860	9760218-086	



YEAR	ENGINE	VOLTS	AMPS	OEM PART NUMBER	NEW PART NUMBER	REMAN PART NUMBER	APPLICATION INFORMATION
CATERPILLAR (continued)							
MOTOR GRADERS (continued)							
1985-1995	120G w/ 3304 Eng.	24	50	5S-9088	100211-0890	9761219-610	
1985-1995	12G w/ 3306 Eng.	24	50	5S-9088	100211-0890	9761219-610	
1985-1995	130G w/ 3304 Eng.	24	50	5S-9088	100211-0890	9761219-610	
1985-1995	140G w/ 3304 Eng.	24	50	5S-9088	100211-0890	9761219-610	
1985-1995	14G w/ 3306 Eng.	24	50	5S-9088	100211-0890	9761219-610	
1985-1995	16G w/ 3306 Eng.	24	50	5S-9088	100211-0890	9761219-610	
OFF HIGHWAY TRUCKS							
1986-1992	789 w/ 3516 Eng.	24	35	6N-9294	100211-0860	9760218-086	
1986-1992	789 w/ 3516 Eng.	24	50	5S-9088	100211-0890	9761219-610	
1986-1990	784 w/ 3512 Eng.	24	35	6N-9294	100211-0860	9760218-086	
1986-1990	784 w/ 3512 Eng.	24	50	5S-9088	100211-0890	9761219-610	
1985-1996	768C w/ 3408 Eng.	24	50	5S-9088	100211-0890	9761219-610	
1985-1996	769C w/ 3408 Eng.	24	50	5S-9088	100211-0890	9761219-610	
1985-1996	772B w/ 3412 Eng.	24	50	5S-9088	100211-0890	9761219-610	
1985-1996	773B w/ 3412 Eng.	24	50	5S-9088	100211-0890	9761219-610	
1985-1996	776B w/ 3508 Eng.	24	50	5S-9088	100211-0890	9761219-610	
1985-1996	777B w/ 3508 Eng.	24	50	5S-9088	100211-0890	9761219-610	
1985-1992	785 w/ 3512 Eng.	24	35	6N-9294	100211-0860	9760218-086	
1985-1992	785 w/ 3512 Eng.	24	50	5S-9088	100211-0890	9761219-610	
OFF-ROAD							
1992	950	24	50	100-5047	101211-6100	9761219-610	
1983	3306D1-T	24	35	6N-9294	100211-0860	9760218-086	
1983	966D	24	35	6N-9294	100211-0860	9760218-086	
1983	950	24	50	5S-9088	100211-0890	9761219-610	
PIPELAYERS							
1985-1992	589 w/ 3408 Eng.	24	35	6N-9294	100211-0860	9760218-086	
1985-1992	591 w/ 3412 Eng.	24	35	6N-9294	100211-0860	9760218-086	
1985-1992	561D w/ 3306 Eng.	24	50	5S-9088	100211-0890	9761219-610	
1985-1992	589 w/ 3408 Eng.	24	50	5S-9088	100211-0890	9761219-610	
1985-1992	591 w/ 3412 Eng.	24	50	5S-9088	100211-0890	9761219-610	
1985-1989	583K w/ D342 Eng.	24	35	6N-9294	100211-0860	9760218-086	
1985-1989	583K w/ D342 Eng.	24	50	5S-9088	100211-0890	9761219-610	
SCRAPERS							
1987-1993	615C w/ 3306 Eng.	24	35	6N-9294	100211-0860	9760218-086	
1987-1993	615C w/ 3306 Eng.	24	50	5S-9088	100211-0890	9761219-610	
1986-1993	621E w/ 3406 Eng.	24	50	5S-9088	100211-0890	9761219-610	
1986-1993	623E w/ 3406 Eng.	24	50	5S-9088	100211-0890	9761219-610	
1985-1996	657E w/ 3412 Eng.(Front)	24	50	5S-9088	100211-0890	9761219-610	
1985-1993	613C w/ 3208 Eng.	24	35	6N-9294	100211-0860	9760218-086	
1985-1993	613C w/ 3208 Eng.	24	50	5S-9088	100211-0890	9761219-610	
1985-1991	631E w/ 3408 Eng.	24	50	5S-9088	100211-0890	9761219-610	
1985-1987	615 w/ 3306 Eng.	24	35	6N-9294	100211-0860	9760218-086	
1985-1987	615 w/ 3306 Eng.	24	50	5S-9088	100211-0890	9761219-610	
1985-1986	621E w/ 3406 Eng.	24	35	6N-9294	100211-0860	9760218-086	
1985-1986	623B w/ 3406 Eng.	24	50	5S-9088	100211-0890	9761219-610	
1985-1986	627B w/ 3306 Eng.	24	50	5S-9088	100211-0890	9761219-610	
1983-1986	621B w/ 3406 Eng.	24	35	6N-9294	100211-0860	9760218-086	



YEAR	ENGINE	VOLTS	AMPS	OEM PART NUMBER	NEW PART NUMBER	REMAN PART NUMBER	APPLICATION INFORMATION
CATERPILLAR (continued)							
SOIL COMPACTORS							
1985-1996	815B w/ 3306 Eng.	24	50	5S-9088	100211-0890	9761219-610	
1985-1996	825C w/ 3406 Eng.	24	50	5S-9088	100211-0890	9761219-610	
TOOL CARRIERS							
1995-Up	IT14B w/3054 Eng.	24	60	3E-7772	101211-7920		
1986-1993	IT28B w/3204 Eng.	24	35	6N-9294	100211-0860	9760218-086	
1986-1993	IT28B w/3204 Eng.	24	50	5S-9088	100211-0890	9761219-610	
1986-1992	IT18B w/3204 Eng.	24	35	6N-9294	100211-0860	9760218-086	
1986-1992	IT18B w/3204 Eng.	24	50	5S-9088	100211-0890	9761219-610	
TRACK LOADERS							
1995-1996	963B w/ 3306 Eng.	24	35	6N-9294	100211-0860	9760218-086	
1995-1996	963B w/ 3306 Eng.	24	50	5S-9088	100211-0890	9761219-610	
1985-1993	951 Trax Cavator w/ 3204 Eng.	12	40	7N-4784	100211-0230		
1985-1992	943 w/ 3204 Eng.	24	35	6N-9294	100211-0860	9760218-086	
1985-1992	953 w/ 3204 Eng.	24	35	6N-9294	100211-0860	9760218-086	
1985-1992	943 w/ 3204 Eng.	24	50	5S-9088	100211-0890	9761219-610	
1985-1992	953 w/ 3204 Eng.	24	50	5S-9088	100211-0890	9761219-610	
TRACK TYPE TRACTORS							
1986-1995	D8N w/ 3406 Eng.	24	35	6N-9294	100211-0860	9760218-086	
1986-1995	D9N w/ 3408 Eng.	24	35	6N-9294	100211-0860	9760218-086	
1986-1995	D8N w/ 3406 Eng.	24	50	5S-9088	100211-0890	9761219-610	
1986-1995	D9N w/ 3408 Eng.	24	50	5S-9088	100211-0890	9761219-610	
1986-1993	D10N w/ 3412 Eng.	24	50	5S-9088	100211-0890	9761219-610	
1986-1993	D11N w/ 3508 Eng.	24	50	5S-9088	100211-0890	9761219-610	
1985-1995	D4H w/ 3204 Eng.	24	35	6N-9294	100211-0860	9760218-086	
1985-1995	D4H w/ 3204 Eng.	24	50	5S-9088	100211-0890	9761219-610	
1985-1995	D5H w/ 3304 Eng.	24	50	5S-9088	100211-0890	9761219-610	
1985-1994	D4H w/ 3304 Eng.	24	35	6N-9294	100211-0860	9760218-086	
1985-1994	D4H w/ 3304 Eng.	24	50	5S-9088	100211-0890	9761219-610	
1985-1993	D6H w/ 3306 Eng.	24	35	6N-9294	100211-0860	9760218-086	
1985-1993	D7G w/ 3306 Eng.	24	35	6N-9294	100211-0860	9760218-086	
1985-1993	D7H w/ 3306 Eng.	24	35	6N-9294	100211-0860	9760218-086	
1985-1993	D6H w/ 3306 Eng.	24	50	5S-9088	100211-0890	9761219-610	
1985-1993	D7G w/ 3306 Eng.	24	50	5S-9088	100211-0890	9761219-610	
1985-1993	D7H w/ 3306 Eng.	24	50	5S-9088	100211-0890	9761219-610	
1985-1992	D6D w/ 3306 Eng.	24	35	6N-9294	100211-0860	9760218-086	
1985-1992	D8L w/ 3408 Eng.	24	35	6N-9294	100211-0860	9760218-086	
1985-1992	D6D w/ 3306 Eng.	24	50	5S-9088	100211-0890	9761219-610	
1985-1992	D8L w/ 3408 Eng.	24	50	5S-9088	100211-0890	9761219-610	
1976-1978	D3 w/ 3204 Eng.	12	40	6N-5460	021000-4970		
1972-1975	D3 w/ 3204 Eng.	12	40	4N-4540	021000-3030		
1979	D3 w/ 3204 Eng.	12	40	7N-4784	100211-0230		
1979	D3 w/ 3204 Eng.	12	75	8N-2268	100211-0250		
TRACTOR							
1985-1987	D3 w/ 3204 Eng.	12	55	9W-2648	100211-2950		
WHEEL LOADERS							
1990-1994	966F w/ 3306 Eng.	24	35	6N-9294	100211-0860	9760218-086	



YEAR	ENGINE	VOLTS	AMPS	OEM PART NUMBER	NEW PART NUMBER	REMAN PART NUMBER	APPLICATION INFORMATION
CATERPILLAR (continued)							
WHEEL LOADERS (continued)							
1990-1994	966F w/ 3306 Eng.	24	50	55-9088	100211-0890	9761219-610	
1987-1992	926E w/ 3204 Eng.	24	50	55-9088	100211-0890	9761219-610	
1987-1992	936E w/ 3304 Eng.	24	50	55-9088	100211-0890	9761219-610	
1987-1991	950E	24	50	55-9088	100211-0890	9761219-610	
1987-1990	966E w/ 3306 Eng.	24	35	6N-9294	100211-0860	9760218-086	
1987-1990	966E w/ 3306 Eng.	24	50	55-9088	100211-0890	9761219-610	
1986-1993	992C w/ 3412 Eng.	24	50	55-9088	100211-0890	9761219-610	
1986-1992	916 w/ 32004 Eng.	24	35	6N-9294	100211-0860	9760218-086	
1986-1992	916 w/ 32004 Eng.	24	50	55-9088	100211-0890	9761219-610	
1986-1991	980F w/ 3406 Eng.	24	50	55-9088	100211-0890	9761219-610	
1985-1993	988B w/ 3408 Eng.	24	50	55-9088	100211-0890	9761219-610	
1985-1992	980C w/ 3406 Eng.	24	35	6N-9294	100211-0860	9760218-086	
1985-1992	980C w/ 3406 Eng.	24	50	55-9088	100211-0890	9761219-610	
1985-1987	926 w/ 3204 Eng.	24	35	6N-9294	100211-0860	9760218-086	
1985-1987	936 w/ 3304 Eng.	24	35	6N-9294	100211-0860	9760218-086	
1985-1987	926 w/ 3204 Eng.	24	50	55-9088	100211-0890	9761219-610	
1985-1987	936 w/ 3304 Eng.	24	50	55-9088	100211-0890	9761219-610	
1984-1987	966D w/ 3306 Eng.	24	35	6N-9294	100211-0860	9760218-086	
1984-1987	966D w/ 3306 Eng.	24	50	55-9088	100211-0890	9761219-610	
1982-1994	936F	24	50	55-9088	100211-0890	9761219-610	
WHEEL SKIDDERS							
1987-1989	508 w/ 3204 Eng.	24	35	6N-9294	100211-0860	9760218-086	
1987-1989	508 w/ 3204 Eng.	24	50	55-9088	100211-0890	9761219-610	
1985-1995	518 w/ 3304 Eng.	24	35	6N-9294	100211-0860	9760218-086	
1985-1995	528 w/ 3306 Eng.	24	35	6N-9294	100211-0860	9760218-086	
1985-1995	518 w/ 3304 Eng.	24	50	55-9088	100211-0890	9761219-610	
1985-1995	528 w/ 3306 Eng.	24	50	55-9088	100211-0890	9761219-610	
WHEEL TRACTOR DOZERS							
1985-1996	824C w/ 3406 Eng.	24	50	55-9088	100211-0890	9761219-610	
1985-1995	814B w/ 3306 Eng.	24	50	55-9088	100211-0890	9761219-610	
ENGINES							
2006-	C27, C32, 3400 & Gas	24	150	249-0313	101210-9000		J-180 Mount
MOTOR GRADERS 16M/140M/160M							
2006-		24	150	249-0313	101210-9000		J-180 Mount
TRACKTYPE TRACTORS 140M/160M & D6/D6R TTT							
2006-		24	150	249-0313	101210-9000		J-180 Mount
ENGINES							
2006-	C7, C9, C11 - C18, C27, C32, 3126, 3400 & Gas	24	150	272-1889	101210-9010		Pad Mount
LARGE WHEEL LOADERS 854/992/993/966							
2006-		24	150	272-1889	101210-9010		Pad Mount
MOTOR GRADER 12M/120M/14M							
2006-		24	150	272-1889	101210-9010		Pad Mount
TRACKTYPE TRACTORS D6TTT & PIPELAYERS							
2006-		24	150	272-1889	101210-9010		Pad Mount



YEAR	ENGINE	VOLTS	AMPS	OEM PART NUMBER	NEW PART NUMBER	REMAN PART NUMBER	APPLICATION INFORMATION
CHEVROLET							
SPECTRUM							
1985	P707	12	60	94137345	100211-1331		
1985	P707	12	60	8-94137345-2 (Isuzu)	100211-1331		
G20 VAN							
1994-1995	6.5L Diesel	12	100			210-5107	
EXPRESS 2500							
1996	6.5L Diesel	12	100			210-5107	
EXPRESS 3500							
1996	6.5L Diesel	12	100			210-5107	
G30 VAN							
1994-1996	6.5L Diesel	12	100			210-5107	
P30 VAN							
1994-1995	6.5L Diesel	12	100			210-5107	
C1500 SUBURBAN							
1996-1999	6.5L Diesel	12	105			210-5119	
C2500 SUBURBAN							
1996-1999	6.5L Diesel	12	105			210-5119	
K1500 SUBURBAN							
1996-1999	6.5L Diesel	12	105			210-5119	
K2500 SUBURBAN							
1996-1999	6.5L Diesel	12	105			210-5119	
G20 VAN							
1994-1996	6.5L Diesel	12	100			210-5152	
G30 VAN							
1994-1996	6.5L Diesel	12	100			210-5152	
C1500 PICKUP							
1988-1993	6.2L Diesel	12	100			210-5154	
1994-1995	6.5L Diesel	12	100			210-5154	
C2500 PICKUP							
1988-1993	6.2L Diesel	12	100			210-5154	
1994-1995	6.5L Diesel	12	100			210-5154	
C3500 PICKUP							
1988-1993	6.2L Diesel	12	100			210-5154	
1994-1995	6.5L Diesel	12	100			210-5154	
BLAZER							
1994	6.5L Diesel	12	100			210-5154	
K1500 PICKUP							
1988-1993	6.2L Diesel	12	100			210-5154	
1994-1995	6.5L Diesel	12	100			210-5154	
TAHOE							
1995	6.5L Diesel	12	100			210-5154	
K2500 PICKUP							
1988-1991	6.2L Diesel	12	100			210-5154	
1992-1995	6.5L Diesel	12	100			210-5154	



YEAR	ENGINE	VOLTS	AMPS	OEM PART NUMBER	NEW PART NUMBER	REMAN PART NUMBER	APPLICATION INFORMATION
CHEVROLET (continued)							
K3500 PICKUP							
1988-1991	6.2L Diesel	12	100			210-5154	
1992-1995	6.5L Diesel	12	100			210-5154	
C1500 SUBURBAN							
1994-1995	6.5L Diesel	12	100			210-5154	
C2500 SUBURBAN							
1994-1995	6.5L Diesel	12	100			210-5154	
K1500 SUBURBAN							
1994-1995	6.5L Diesel	12	100			210-5154	
K2500 SUBURBAN							
1994-1995	6.5L Diesel	12	100			210-5154	
C1500 SUBURBAN							
1998-1999	6.5L Diesel	12	124			210-5190	
C2500 SUBURBAN							
1998-1999	6.5L Diesel	12	124			210-5190	
EXPRESS 2500							
1996-2000	6.5L Diesel	12	124			210-5190	
EXPRESS 3500							
1997-2000	6.5L Diesel	12	124			210-5190	
G2500 VAN							
1997	6.5L Diesel	12	124			210-5190	
G30 VAN							
1997	6.5L Diesel	12	124			210-5190	
G3500 VAN							
1997	6.5L Diesel	12	124			210-5190	
K1500 SUBURBAN							
1998-1999	6.5L Diesel	12	124			210-5190	
K2500 SUBURBAN							
1998-1999	6.5L Diesel	12	124			210-5190	
TAHOE							
1998	6.5L Diesel	12	124			210-5190	
CLARK							
1985-Up	6D22, 6D14, 6D15, 6D143, 6D152, 6D161	24	30	ME070120, ME070120D	A2T72986	210-9013	Available in Reman Only
CLARKE							
2000-	VM MOTORI-704/706	12	40	C07639	101211-1090		
CLARKE DETROIT							
FIRE PUMP							
1996	VM Motori 704	12	40	C07639	101211-1090		
1996	VM Motori 706	12	40	C07639	101211-1090		



YEAR	ENGINE	VOLTS	AMPS	OEM PART NUMBER	NEW PART NUMBER	REMAN PART NUMBER	APPLICATION INFORMATION
DODGE							
DURANGO							
2004-2006	5.7L V8	12	145	56028697AD	421000-0282		
RAM 2500 & 3500							
2003-2006	5.7L V8	12	145	56028697AD	421000-0282		Snow Plow Package
RAM 2500 PICKUP							
2002	5.9L Diesel	12	136			210-0479	
RAM 3500 PICKUP							
2002	5.9L Diesel	12	136			210-0479	
RAM 2500 PICKUP							
1999-2001	5.9L Diesel	12	140			210-0500	
RAM 3500 PICKUP							
1999-2001	5.9L Diesel	12	140			210-0500	
RAM 2500 PICKUP							
1994-1998	5.9L Diesel	12	120			210-0150	
RAM 3500 PICKUP							
1994-1998	5.9L Diesel	12	120			210-0150	
RAM D250 & D350							
1989-1993	5.9L Diesel	12	120	5234374	121000-4080	9712109-408	
RAM W250 & W350							
1989-1993	5.9L Diesel	12	120	5234374	121000-4080	9712109-408	
RAM 2500 PICKUP							
1999-2000	5.9L Diesel	12	136			210-6109	
W250 PICKUP							
1990-1991	5.9L Diesel	12	120		211-0121		
W350 PICKUP							
1990-1991	5.9L Diesel	12	120		211-0121		
D250 PICKUP							
1990-1993	5.9L Diesel	12	120		211-0125	210-0148	
D350 PICKUP							
1990-1993	5.9L Diesel	12	120		211-0125	210-0148	
W250 PICKUP							
1990-1993	5.9L Diesel	12	120		211-0125	210-0148	
W350 PICKUP							
1990-1993	5.9L Diesel	12	120		211-0125	210-0148	
RAM 2500 PICKUP							
1994-1998	5.9L Diesel	12	120		211-0128	210-0150	
RAM 3500 PICKUP							
1994-1997	5.9L Diesel	12	120		211-0128	210-0150	
RAM 2500 PICKUP							
1999-2001	5.9L Diesel	12	140		211-0135	210-0500	
RAM 3500 PICKUP							
2001	5.9L Diesel	12	140		211-0135	210-0500	



YEAR	ENGINE	VOLTS	AMPS	OEM PART NUMBER	NEW PART NUMBER	REMAN PART NUMBER	APPLICATION INFORMATION
FORD							
E-350 ECONOLINE							
1992-1994	7.3L Diesel	12	130			210-5221	
F-250 PICKUP							
1992-1994	7.3L Diesel	12	130			210-5221	
F-350 PICKUP							
1992-1994	7.3L Diesel	12	130			210-5221	
E-350 ECONOLINE							
1995-2003	7.3L Diesel	12	130			210-5223	
F-250 PICKUP							
1995-1997	7.3L Diesel	12	130			210-5223	
F-350 PICKUP							
1995-1997	7.3L Diesel	12	130			210-5223	
F-SERIES PU							
2008-2010		12	200	7C3Z-10346-EA	104210-6103		
FORD TRACTOR							
1200 SERIES							
1979-1982	LEK 752 C	12	20	SBA 1850 46050	021000-4560		
1979-1982	LEK 802 C	12	20	SBA 1850 46050	021000-4560		
1210 SERIES							
1982-1983	LEK752C	12	35	SBA1850-46170	121000-0580		
1982-1983	LEK802D	12	35	SBA1850-46170	121000-0580		
1982-1983	S723	12	35	SBA1850-46170	121000-0580		
1300 SERIES							
1979-1982	LEK 752 C	12	20	SBA 1850 46050	021000-4560		
1979-1982	LEK 802 C	12	20	SBA 1850 46050	021000-4560		
EARLY 1100 SERIES							
1979-1982	LEK 752 C	12	20	SBA 1850 46050	021000-4560		
1979-1982	LEK 802 C	12	20	SBA 1850 46050	021000-4560		
LATE 1110 SERIES							
1982-1983	LEK752C	12	35	18504-6170	121000-0580		
1982-1983	LEK802D	12	35	18504-6170	121000-0580		
1982-1983	S723	12	35	18504-6170	121000-0580		
FORD TRUCK							
ALL 600 SERIES & ABOVE							
1986	Various	12	90	GL-94-C	121000-2450		
1986	Various	12	90	D4HZ 10346-B	121000-2450		
1986	Various	12	90	D4HZ 10345-BA	121000-2450		
	Various	12	90	D4HF 10346-BA	021000-4650		Replaced by 121000-2450
	Various	12	90	7604-A (Leece Neville)	021000-4650		Replaced by 121000-2450
C-600							
1986	Various	12	90	GL-94-C	121000-2450		
1986	Various	12	90	D4HZ 10346-B	121000-2450		
1986	Various	12	90	D4HZ 10345-BA	121000-2450		



YEAR	ENGINE	VOLTS	AMPS	OEM PART NUMBER	NEW PART NUMBER	REMAN PART NUMBER	APPLICATION INFORMATION
FORD TRUCK (continued)							
C-600 (continued)							
		12	70	D4TF 10346-BA	021000-4760		Replaced by 121000-2450
L-600							
		12	70	D4TF 10346-BA	021000-4760		Replaced by 121000-2450
L-600							
1986	Various	12	90	GL-94-C	121000-2450		
1986	Various	12	90	D4HZ 10346-B	121000-2450		
1986	Various	12	90	D4HZ 10345-BA	121000-2450		
1998-	Cummins 6B	12	130		101211-8250		w/ Pulley
FREIGHTLINER							
CENTURY CLASS							
2004-	CAT C13	12	130	NPD 1012118060	101211-8060		
COLUMBIA							
2004-	CAT C13	12	130	NPD 1012118060	101211-8060		
M2 100							
2000-	CAT C13	12	130	NPD 1012118060	101211-8060		
M2 106							
2000-	CAT C13	12	130	NPD 1012118060	101211-8060		
M2 112							
2000-	CAT C13	12	130	NPD 1012118060	101211-8060		
CORONADO							
2000-2006	CAT C15	12	130	NPD 1012118060	101211-8060		
CENTURY CLASS							
2000-	CAT C15	12	130	NPD 1012118060	101211-8060		
COLUMBIA							
2000-	CAT C15	12	130	NPD 1012118060	101211-8060		
C112/C120 CENTURY CLASS							
1999	Detroit Diesel Series 60	12	130	19011177	101211-8380		
FLB/FLD 112/120/XL							
1998-1999	Caterpillar 3176	12	105	19011150	101211-8050		
1998-1999	Caterpillar 3306	12	105	19011150	101211-8050		
1998-1999	Caterpillar 3406	12	105	19011150	101211-8050		
1998-1999	Caterpillar C-10	12	105	19011150	101211-8050		
1998-1999	Caterpillar C-12	12	105	19011150	101211-8050		
1998-1999	Cummins L-10	12	105	19011150	101211-8050		
1998-1999	Cummins M11	12	105	19011150	101211-8050		
1998-1999	Cummins N14	12	105	19011150	101211-8050		
1998-1999	Detroit Diesel Series 60	12	130	19011177	101211-8380		
CORONADO							
2000-2006	Detroit Diesel Series 60	12	130	NPD 1012118380	101211-8380		
C112/C120 CENTURY CLASS							
1999	Caterpillar 3176	12	130	19011155	101211-8060		



YEAR	ENGINE	VOLTS	AMPS	OEM PART NUMBER	NEW PART NUMBER	REMAN PART NUMBER	APPLICATION INFORMATION
FREIGHTLINER (continued)							
FLB/FLD 112/120/XL							
1998-1999	Caterpillar 3176	12	130	19011155	101211-8060		
CENTURY CLASS							
2000-	Detroit Diesel Series 60	12	130	NPD 1012118380	101211-8380		
FLB/FLD 112/120/XL							
1998-1999	Caterpillar 3306	12	130	19011155	101211-8060		
COLUMBIA							
2000-	Detroit Diesel Series 60	12	130	NPD 1012118380	101211-8380		
C112/C120 CENTURY CLASS							
1999	Caterpillar 3406	12	130	19011155	101211-8060		
FLB/FLD 112/120/XL							
1998-1999	Caterpillar 3406	12	130	19011155	101211-8060		
1998-	Cummins 6B	12	130		101211-8250		w/ Pulley
C112/C120 CENTURY CLASS							
1999	Caterpillar C10	12	130	19011155	101211-8060		
FLB/FLD 112/120/XL							
1998-1999	Caterpillar C10	12	130	19011155	101211-8060		
C112/C120 CENTURY CLASS							
1999	Caterpillar C12	12	130	19011155	101211-8060		
FLB/FLD 112/120/XL							
1998-1999	Caterpillar C12	12	130	19011155	101211-8060		
C112/C120 CENTURY CLASS							
1999	Cummins ISM	12	130	19011155	101211-8060		
1999	Cummins ISX	12	130	19011155	101211-8060		
1999	Cummins L10	12	130	19011155	101211-8060		
FLB/FLD 112/120/XL							
1998-1999	Cummins L10	12	130	19011155	101211-8060		
1998-1999	Cummins M11	12	130	19011155	101211-8060		
CORONADO							
1994-1998	CUMMINS M11	12	130	NPD 1012118060	101211-8060		
CENTURY CLASS							
1994-1998	CUMMINS M11	12	130	NPD 1012118060	101211-8060		
COLUMBIA							
1994-1998	CUMMINS M11	12	130	NPD 1012118060	101211-8060		
C112/C120 CENTURY CLASS							
1999	Cummins N14	12	130	19011155	101211-8060		
FLB/FLD 112/120/XL							
1998-1999	Cummins N14	12	130	19011155	101211-8060		
CORONADO							
1994-2002	CUMMINS N14	12	130	NPD 1012118060	101211-8060		
CENTURY CLASS							
1994-2002	CUMMINS N14	12	130	NPD 1012118060	101211-8060		



YEAR	ENGINE	VOLTS	AMPS	OEM PART NUMBER	NEW PART NUMBER	REMAN PART NUMBER	APPLICATION INFORMATION
FREIGHTLINER (continued)							
COLUMBIA							
1994-2002	CUMMINS N14	12	130	NPD 1012118060	101211-8060		
CORONADO							
1998-2002	Cummins ISM	12	130	NPD 1012118060	101211-8060		
CENTURY CLASS							
1998-2002	Cummins ISM	12	130	NPD 1012118060	101211-8060		
COLUMBIA							
1998-2002	Cummins ISM	12	130	NPD 1012118060	101211-8060		
CORONADO							
1999-2002	Cummins ISX	12	130	NPD 1012118060	101211-8060		
CENTURY CLASS							
1999-2002	Cummins ISX	12	130	NPD 1012118060	101211-8060		
COLUMBIA							
1999-2002	Cummins ISX	12	130	NPD 1012118060	101211-8060		
GMC							
7000							
1986		12	65	94047827	100211-2750		
PREMIUM FORWARD							
1984	6BD1	12	65	97038565	100211-1721	9760218-172	
1984	6BD1	12	65	1-810287-1 (Isuzu)	100211-1721	9760218-172	
G25/G2500 VAN							
1994-1995	6.5L Diesel	12	100			210-5107	
G35/G3500 VAN							
1994-1996	6.5L Diesel	12	100			210-5107	
P35/P3500 VAN							
1994-1995	6.5L Diesel	12	100			210-5107	
SAVANA 2500							
1996	6.5L Diesel	12	100			210-5107	
SAVANA 3500							
1996	6.5L Diesel	12	100			210-5107	
C1500 SUBURBAN							
1996-1999	6.5L Diesel	12	105			210-5119	
C2500 SUBURBAN							
1996-1999	6.5L Diesel	12	105			210-5119	
K1500 SUBURBAN							
1996-1999	6.5L Diesel	12	105			210-5119	
K2500 SUBURBAN							
1996-1999	6.5L Diesel	12	105			210-5119	
K2500 PICKUP							
1999	6.5L Diesel	12	105			210-5119	
G25/G2500 VAN							
1994-1995	6.5L Diesel	12	100			210-5152	



YEAR	ENGINE	VOLTS	AMPS	OEM PART NUMBER	NEW PART NUMBER	REMAN PART NUMBER	APPLICATION INFORMATION
GMC (continued)							
G3500 VAN							
1994	6.5L Diesel	12	100			210-5152	
G35/G3500 VAN							
1994-1996	6.5L Diesel	12	100			210-5152	
C1500 PICKUP							
1988-1993	6.2L Diesel	12	100			210-5154	
1994-1995	6.5L Diesel	12	100			210-5154	
C2500 PICKUP							
1988-1993	6.2L Diesel	12	100			210-5154	
1994-1995	6.5L Diesel	12	100			210-5154	
C3500 PICKUP							
1988-1993	6.2L Diesel	12	100			210-5154	
1994-1995	6.5L Diesel	12	100			210-5154	
K1500 PICKUP							
1988-1993	6.2L Diesel	12	100			210-5154	
1994-1995	6.5L Diesel	12	100			210-5154	
K2500 PICKUP							
1988-1991	6.2L Diesel	12	100			210-5154	
1992-1995	6.5L Diesel	12	100			210-5154	
K3500 PICKUP							
1988-1991	6.2L Diesel	12	100			210-5154	
1992-1995	6.5L Diesel	12	100			210-5154	
YUKON							
1994-1995	6.5L Diesel	12	100			210-5154	
C3500 PICKUP							
1988-1991	6.2L Diesel	12	100			210-5154	
1992-1995	6.5L Diesel	12	100			210-5154	
C2500 SUBURBAN							
1994-1995	6.5L Diesel	12	100			210-5154	
K2500 SUBURBAN							
1994-1995	6.5L Diesel	12	100			210-5154	
C1500 SUBURBAN							
1995	6.5L Diesel	12	100			210-5154	
K1500 SUBURBAN							
1995	6.5L Diesel	12	100			210-5154	
C1500 SUBURBAN							
1998-1999	6.5L Diesel	12	124			210-5190	
C2500 SUBURBAN							
1998-1999	6.5L Diesel	12	124			210-5190	
K1500 SUBURBAN							
1998-1999	6.5L Diesel	12	124			210-5190	
K2500 SUBURBAN							
1998-1999	6.5L Diesel	12	124			210-5190	

ALTERNATOR APPLICATIONS



YEAR	ENGINE	VOLTS	AMPS	OEM PART NUMBER	NEW PART NUMBER	REMAN PART NUMBER	APPLICATION INFORMATION
GMC (continued)							
SAVANA 2500							
1996-2000	6.5L Diesel	12	124			210-5190	
SAVANA 2500 VAN							
1997	6.5L Diesel	12	124			210-5190	
SAVANA 3500							
1997-2000	6.5L Diesel	12	124			210-5190	
SAVANA 3500 VAN							
1996	6.5L Diesel	12	124			210-5190	
HINO							
2003-2006	Y137	12	105	27040-2560B	101211-8431	9761219-843	
2003-2006	Y137	12	105	27040-2550B	101211-8421	9761219-842	
1994	H06C-TI	12	80	27040-1970A	101211-8003	9761219-800	
1994	H06C-TI	12	80	27040-1970B	101211-8003	9761219-800	
1993	W04C-T	12	80	27040-1920A	101211-6140	9761219-614	
1992	H06C-TI	12	80	27040-1911A	101211-6061	9761219-606	Replaces 100211-2985
1991	W04C-T	12	80	27040-1900A	100211-5950	9760218-595	
1990	W06D	24	25	27050-1201A	100213-0391		
1989	H06C-T	12	80	27050-1191A	100213-0371		
1989	H06C-T	12	80	27050-1191A	100213-0371		(w/ vacuum pump)
1989	WD4C-T	12	80	27020-1811A	121000-2750		Part of 100213-0810
1989	WD4C-T	12	80	27020-1811A	121000-2751		Part of 100213-0810
1989	W04C-T	12	80	27050-1290A	100213-0812	9760218-595	Replaced by 100213-1421
1989	W04C-T	12	80	27050-1290A	100213-0812	9760218-595	Replaced by 100213-1421
1988	LA640	12	80	27030-1310A	100210-1940		
1988	W04D	12	50	27040-1300A	100211-2741		
1988	W06D	12	80	27040-1261A	100211-2633		
1988	W06D	12	80	27040-1262C	100211-2633		
1988	EL100/F618	12	80	27040-1240A	100211-2570	9760218-257	
1988	EL100/F618	12	80	27040-1240A	100211-2570	9760218-257	
1988	EM100	12	80	27040-1240A	100211-2570	9760218-257	
1988	EM100	12	80	27040-1240A	100211-2570	9760218-257	
1983	W04D	24	25		121000-1850		Part of 100211-2640
1980	LA640	12	80		021000-8990		Part of 100210-1940
KL400							
1975		24	15		021000-4860		
SG19							
1989	H06C-T	12	80	27040-1320A	100211-2995	9760218-299	
SG22							
1988	EM100	12	80	27040-1310A	100211-2985	9760218-298	Replaced by 101211-6061
Y503							
1991	H06C-T	12	80	27040-1780A	100211-5960	9760218-596	
YE78							
1991		12	40	27040-1890A	100211-5970	9760218-597	
1989		12	40	27050-1102	100213-0272	9712109-112	Replaced by 100213-1311
1989		12	40	27050-1102	100213-0273	9712109-112	Replaced by 100213-1311
1985		12	40	27040-1190	121000-1121		Part of 100213-0270



YEAR	ENGINE	VOLTS	AMPS	OEM PART NUMBER	NEW PART NUMBER	REMAN PART NUMBER	APPLICATION INFORMATION	
HINO (continued)								
YS03								
1983	H06C-T	12	80	27020-1660	121000-1390		Part of 100213-0330 (w/ vacuum pump)	
1983	H07C	12	80	27050-1170B	100213-0330			
NA,NB,NC								
2003-2006	J08	12	105	27040-2550	101211-8421	9761219-842		
ND,NE,NF,NV								
2005-	J08	12	105	27040-2560	101211-8431	9761219-843		
	Y137	12	105	27040-2560B	101211-8431	9761219-843		
HYSTER								
1997-Up	F2E Mazda	12	40	S55N-18-300A	A7T03277A	210-9011	Available in Reman Only	
INTERNATIONAL								
2000 SERIES								
1997-1999	Cummins M11	12	130	3554455C91	101211-8290		5/16" B+ long terminal, lug mount	
	Caterpillar 3176	12	105	19011154	101211-8020			
1997-1999	Cummins L-10	12	105	19011154	101211-8020			
1997-1999	Cummins M11	12	105	19011154	101211-8020			
1997-1999	Cummins N14	12	105	19011154	101211-8020			
1997-1999	International 530	12	105	19011154	101211-8020			
1997-1999	International DT 466	12	105	19011154	101211-8020			
3400 SERIES								
1996	International DT 466	12	105	19011154	101211-8020			
4000 SERIES								
	International DT 466	12	130	3554455C91	101211-8290		5/16" B+ long terminal, lug mount	
1996	International DT 466	12	105	19011154	101211-8020			
5000 SERIES								
	Caterpillar 3176B	12	130	3554455C91	101211-8290		5/16" B+ long terminal, lug mount	
	Caterpillar C-12	12	130	3554455C91	101211-8290			
	Cummins M11	12	130	3554455C91	101211-8290			
1997-1999	Caterpillar 3176	12	105	19011154	101211-8020		5/16" B+ long terminal, lug mount	
1997-1999	Caterpillar 3406	12	105	19011154	101211-8020			
1997-1999	Caterpillar C-10	12	105	19011154	101211-8020			
1997-1999	Caterpillar C-12	12	105	19011154	101211-8020			
1997-1999	Cummins L-10	12	105	19011154	101211-8020			
1997-1999	Cummins M11	12	105	19011154	101211-8020			
1997-1999	Cummins N14	12	105	19011154	101211-8020			
1997-1999	Detroit Diesel Series 50	12	105	19011154	101211-8020			
1997-1999	International 530	12	105	19011154	101211-8020			
8000 SERIES								
	Cummins M11	12	130	3554455C91	101211-8290			5/16" B+ long terminal, lug mount
2000 SERIES								
1997-1999	Caterpillar 3176	12	130	19011156	101211-8120			
5000 SERIES								
1997-1999	Caterpillar 3176	12	130	19011156	101211-8120			



YEAR	ENGINE	VOLTS	AMPS	OEM PART NUMBER	NEW PART NUMBER	REMAN PART NUMBER	APPLICATION INFORMATION
INTERNATIONAL (continued)							
8000 SERIES							
1997-1999	Caterpillar 3176	12	130	19011156	101211-8120		
1997-1999	Caterpillar 3176	12	130	19011156	101211-8120		
9000 SERIES							
1997-1999	Caterpillar 3176	12	130	19011156	101211-8120		
5000 SERIES							
1997-1999	Caterpillar 3406	12	130	19011156	101211-8120		
9000 SERIES							
1997-1999	Caterpillar 3406	12	130	19011156	101211-8120		
5000 SERIES							
1997-1999	Caterpillar C10	12	130	19011156	101211-8120		
8000 SERIES							
1997-1999	Caterpillar 3176	12	105	19011154	101211-8020		
1997-1999	Caterpillar 3176	12	105	19011154	101211-8020		
1997-1999	Cummins L-10	12	105	19011154	101211-8020		
1997-1999	Cummins M11	12	105	19011154	101211-8020		
1997-1999	Cummins N14	12	105	19011154	101211-8020		
1997-1999	Detroit Diesel Series 60	12	105	19011154	101211-8020		
1997-1999	International 530	12	105	19011154	101211-8020		
1995-1999	International DT 466	12	105	19011154	101211-8020		
9000 SBA							
	Cummins M11	12	130	3554455C91	101211-8290		5/16" B+ long terminal, lug mount
9000 SERIES							
	Cummins M11	12	130	3554455C91	101211-8290		5/16" B+ long terminal, lug mount
5000 SERIES							
1997-1999	Caterpillar C12	12	130	19011156	101211-8120		
9000 SERIES							
1997-1999	Caterpillar 3176	12	105	19011154	101211-8020		
1997-1999	Caterpillar 3406	12	105	19011154	101211-8020		
1997-1999	Cummins L-10	12	105	19011154	101211-8020		
1997-1999	Cummins M11	12	105	19011154	101211-8020		
1997-1999	Cummins N14	12	105	19011154	101211-8020		
1997-1999	Detroit Diesel Series 60	12	105	19011154	101211-8020		
9600 SERIES							
1997-1999	Cummins L10	12	105	19011154	101211-8020		
1997-1999	Detroit Diesel Series 60	12	105	19011154	101211-8020		
9700 SERIES 60							
1997-1999	Detroit Diesel Series 60	12	105	19011154	101211-8020		
9800 SBA							
1997-1999	Cummins M11	12	105	19011154	101211-8020		
1997-1999	Cummins N14	12	105	19011154	101211-8020		
1997-1999	Detroit Diesel Series 60	12	105	19011154	101211-8020		
9800 SFA							
	Cummins M11	12	130	3554455C91	101211-8290		5/16" B+ long terminal, lug mount
1997-1999	Cummins M11	12	105	19011154	101211-8020		



YEAR	ENGINE	VOLTS	AMPS	OEM PART NUMBER	NEW PART NUMBER	REMAN PART NUMBER	APPLICATION INFORMATION
INTERNATIONAL (continued)							
9800 SFA (continued)							
1997-1999	Cummins N14	12	105	19011154	101211-8020		
1997-1999	Detroit Diesel Series 60	12	105	19011154	101211-8020		
ALL							
1999-2006	Cummins ISX	12	130	3586537C91	101211-8410		
1998-2006	Cummins ISM	12	130	3554455C91	101211-8290		5/16" B+ long terminal, lug mount
	T444E	12	130	3554455C91	101211-8290		5/16" B+ long terminal, lug mount
1998-	T444E	12	130		101211-8250		w/ Pulley
	DT466E	12	105	2509686C91	101211-8080		5/16" B+ terminal, lug mount
	T444E	12	105	2509686C91	101211-8080		5/16" B+ terminal, lug mount
	T444E / V8 7.3l	12	130	2505750C91	101211-8210		1/4" B+ terminal, lug mount
9600 SERIES							
1997-1999	Cummins L10	12	130	19011156	101211-8120		
2000 SERIES							
1997-1999	Cummins L-10	12	130	19011156	101211-8120		
5000 SERIES							
1997-1999	Cummins L-10	12	130	19011156	101211-8120		
8000 SERIES							
1997-1999	Cummins L-10	12	130	19011156	101211-8120		
9000 SERIES							
1997-1999	Cummins L-10	12	130	19011156	101211-8120		
2000 SERIES							
1997-1999	Cummins M11	12	130	19011156	101211-8120		
5000 SERIES							
1997-1999	Cummins M11	12	130	19011156	101211-8120		
8000 SERIES							
1997-1999	Cummins M11	12	130	19011156	101211-8120		
9000 SERIES							
1997-1999	Cummins M11	12	130	19011156	101211-8120		
9800 SBA							
1997-1999	Cummins M11	12	130	19011156	101211-8120		
9800 SFA							
1997-1999	Cummins M11	12	130	19011156	101211-8120		
2000 SERIES							
1997-1999	Cummins N14	12	130	19011156	101211-8120		
5000 SERIES							
1997-1999	Cummins N14	12	130	19011156	101211-8120		
8000 SERIES							
1997-1999	Cummins N14	12	130	19011156	101211-8120		
9000 SERIES							
1997-1999	Cummins N14	12	130	19011156	101211-8120		
9800 SBA							
1997-1999	Cummins N14	12	130	19011156	101211-8120		



YEAR	ENGINE	VOLTS	AMPS	OEM PART NUMBER	NEW PART NUMBER	REMAN PART NUMBER	APPLICATION INFORMATION
INTERNATIONAL (continued)							
9800 SFA							
1997-1999	Cummins N14	12	130	19011156	101211-8120		
5000 SERIES							
1997-1999	Detroit Diesel Series 50	12	130	19011156	101211-8120		
8000 SERIES							
1997-1999	Detroit Diesel Series 60	12	130	19011156	101211-8120		
9000 SERIES							
1997-1999	Detroit Diesel Series 60	12	130	19011156	101211-8120		
9600 SERIES							
1997-1999	Detroit Diesel Series 60	12	130	19011156	101211-8120		
9700 SERIES 60							
1997-1999	Detroit Diesel Series 60	12	130	19011156	101211-8120		
9800 SBA							
1997-1999	Detroit Diesel Series 60	12	130	19011156	101211-8120		
9800 SFA							
1997-1999	Detroit Diesel Series 60	12	130	19011156	101211-8120		
2000 SERIES							
1997-1999	International 530	12	130	19011156	101211-8120		
5000 SERIES							
1997-1999	International 530	12	130	19011156	101211-8120		
8000 SERIES							
1997-1999	International 530	12	130	19011156	101211-8120		
2000 SERIES							
1997-1999	International DT 466	12	130	19011156	101211-8120		
3400 SERIES							
1996	International DT 466	12	130	19011156	101211-8120		
4000 SERIES							
1996	International DT 466	12	130	19011156	101211-8120		
8000 SERIES							
1995-1999	International DT 466	12	130	19011156	101211-8120		
ISEKINOUKI							
1987	ACFI15	12	40	6281-200-004-0B	100211-4440		
ISHIKAWAJIMA							
1995	N844	12	40	18504-6330	100211-4790		
1987	5753	12	40	18504-6220	100211-1680		
1974	LEK752A	12	20	18504-6050	021000-4560		
1974	LEK752C	12	20	18504-6050	021000-4560		
ACGM32							
2005 -	E672L	12	60	18504-6470	211-8000		101211-8810
2001	S773L	12	40	18504-6430	101211-1310		



YEAR	ENGINE	VOLTS	AMPS	OEM PART NUMBER	NEW PART NUMBER	REMAN PART NUMBER	APPLICATION INFORMATION
ISUZU							
1989	6BD1	12	80	1-81200288-1	100211-1732		
1989	6BD1	12	80	1-81200288-1	100211-1732		
1988	4JA1	12	40	8-94330187-1	100213-0980		
1987	4BB1B	12	40	8-94436214-1	121000-2271		
1985	EVR	12	90	1-81200356-0	100211-5710		
1985	FSR11	24	25	1-81200351-0	100213-0630		
1984	4BD1	12	50	8-94150344-1	100210-2970		
1984	MR111	12	65		121000-1740		Part of 100213-0380
1984	6BD1	12	65	1-81200287-1	100211-1721	9760218-172	
1984		12	65	1-81200287-2	100211-1721	9760218-172	
1982	4BD1	24	50	5-81200336-0	100210-2450		
1981	2AB1	12	35	5-81200163-1	021000-6861		
1981	3AB1	12	35	5-81200163-1	021000-6861		
1979	6BD1AB	12	80	5-81200261-0	021000-8430		Part of 100210-1710
1979	6BD1AB	12	80	5-81200260-0	100210-1710		
1978	6BB1	12	50	5-81200241-0	021000-7610		
1978	6BB1	12	50	5-81200239-1	100210-1620		
1978		12	50	5-81200240-0	021000-7620		Part of 100210-1620
1976	4BB1	12	40	5-81200157-0	021000-6210		
1976	4BB1B	12	40	5-81200142-0	021000-6220		Part of 100210-1150
1976	4BB1B	12	40	5-81200132-0	100210-1150		
1976	4BD1	12	40	5-81200157-0	021000-6210		
1976	4BD1	12	40	5-81200142-0	021000-6220		Part of 100210-1150
1976	4BD1	12	40	5-81200132-0	100210-1150		
	6BB1	12	50		100210-1160		
6SA1							
		12	80	1-81200291-0	100211-2760		
C-221							
1987		24	20	8-94436213-1	121000-2261		
C221-P09.							
1975		24	15	5-81200122-0	021000-4730		
D240-PR							
1975		24	15	5-81200122-0	021000-4730		
FRD12							
1984	6BG1	24	40		121000-1890		Part of 100213-0440
FRR12							
1984-1988	6BG1	24	40	1-81200286-1	100211-1711		
1984	6BG1	24	40		121000-1890		Part of 100213-0440
FRR13							
1985-1988	6SA1	24	30	1-81200321-2	100211-2702		
FRR13-DPT							
1985	6SA1	24	40	1-81200320-2	100211-2710		
FSR11							
1985		24	25	1-81200369-0	121000-2380		Part of 100213-0630
FTR							
1985-1988	6SA1	12	65	1-81200338-0	100211-2750		



YEAR	ENGINE	VOLTS	AMPS	OEM PART NUMBER	NEW PART NUMBER	REMAN PART NUMBER	APPLICATION INFORMATION
ISUZU (continued)							
FTR13							
1985-1988	6SA1	24	30	1-81200321-2	100211-2702		
FTR13-DPT							
1985	6SA1	24	40	1-81200320-2	100211-2710		
GZ20							
		12	80	2-91123-950-0	101211-6020	9761219-602	
L3B-L							
1997	7.8L	12	110	8-97500342-0	101211-7812	9761219-781	
MR111							
1985	NRR	12	65	1-81200328-1	100213-0386		
1984	NRR	12	65	1-81200328-1	100213-0386		
P707							
1986		12	60	8-94445672-0	100211-2360		
1984	FF	12	60	8-94137345-0	100211-1331		
P-FRR12							
1984	6BG1	24	40	1-81200286-2	100211-1711		
TXD							
1974		24	40	1-81200025-0	021000-3480		
1973		24	40	1-81200024-0	100210-0790		
J.I. CASE							
1983	F3L912	24	25	4412972	100211-2560		
1983	F4L912	24	25	4412972	100211-2560		
1983	F5L912	24	25	4412972	100211-2560		
JOHN DEERE							
1997		12	140	RE500226	101211-7780		
1997		12	90	RE500227	102211-1180		
1989	6076	12	120	RE51922	100211-6040		
1984	3T72	12	35	AM100800	100211-0940		
850							
1978	3T80J	12	25	CH10493	021000-7281	5702100-728	
1978	3T90J	12	25	CH10493	021000-7281	5702100-728	
1978	3T90TJ	12	25	CH10493	021000-7281	5702100-728	
950							
1978	3T80J	12	25	CH10493	021000-7281	5702100-728	
1978	3T90J	12	25	CH10493	021000-7281	5702100-728	
1978	3T90TJ	12	25	CH10493	021000-7281	5702100-728	
1050							
1978	3T80J	12	25	CH10493	021000-7281	5702100-728	
1978	3T90J	12	25	CH10493	021000-7281	5702100-728	
1978	3T90TJ	12	25	CH10493	021000-7281	5702100-728	
1250							
1978	3T80J	12	25	CH10493	021000-7281	5702100-728	
1978	3T90J	12	25	CH10493	021000-7281	5702100-728	
1978	3T90TJ	12	25	CH10493	021000-7281	5702100-728	



YEAR	ENGINE	VOLTS	AMPS	OEM PART NUMBER	NEW PART NUMBER	REMAN PART NUMBER	APPLICATION INFORMATION
JOHN DEERE (continued)							
4230							
1987	6466	12	90	AR93448	100211-0292	9700211-029	
1987	6466	12	90	AR93448	100211-0292	9700211-029	
1987	6466	12	90	AT103789	100211-0292	9700211-029	
1985		12	90		021000-8751	9700211-029	Part of 100211-0290
4430							
1987	6466	12	90	AR93448	100211-0292	9700211-029	
1987	6466	12	90	AR93448	100211-0292	9700211-029	
1987	6466	12	90	AT103789	100211-0292	9700211-029	
1985		12	90		021000-8751	9700211-029	Part of 100211-0290
4630							
1987	6466	12	90	AR93448	100211-0292	9700211-029	
1987	6466	12	90	AR93448	100211-0292	9700211-029	
1987	6466	12	90	AT103789	100211-0292	9700211-029	
1985		12	90		021000-8751	9700211-029	Part of 100211-0290
4840							
1987	6466	12	90	AR93448	100211-0292	9700211-029	
1987	6466	12	90	AR93448	100211-0292	9700211-029	
1987	6466	12	90	AT103789	100211-0292	9700211-029	
1985		12	90		021000-8751	9700211-029	Part of 100211-0290
1985		12	75		021000-8741		Part of 100211-0280
1978		12	75		021000-7410		Part of 100211-0071
8430							
1987	6466	12	90	AR93448	100211-0292	9700211-029	
1987	6466	12	90	AR93448	100211-0292	9700211-029	
1987	6466	12	90	AT103789	100211-0292	9700211-029	
1985		12	90		021000-8751	9700211-029	Part of 100211-0290
8560 (4WD)							
1989	6076	12	120	RE37201	100211-6031	9760218-605	Replaced by 100211-6051
1989	6466	12	120	RE37201	100211-6031	9760218-605	Replaced by 100211-6051
1989	6619	12	120	RE37201	100211-6031	9760218-605	Replaced by 100211-6051
1989	6076	12	120	RE37201	100211-6031	9760218-605	Replaced by 100211-6051
1989	6466	12	120	RE37201	100211-6031	9760218-605	Replaced by 100211-6051
1989	6619	12	120	RE37201	100211-6031	9760218-605	Replaced by 100211-6051
1988	6466	12	120	RE44140	100211-6050	9760218-605	
1988	6619	12	120	RE44140	100211-6050	9760218-605	
1988	6466	12	120	RE44140	100211-6051	9760218-605	Replaced by 100211-6051
1988	6619	12	120	RE44140	100211-6051	9760218-605	Replaced by 100211-6051
8630							
1987	6466	12	90	AR93448	100211-0292	9700211-029	
1987	6466	12	90	AR93448	100211-0292	9700211-029	
1987	6466	12	90	AT103789	100211-0292	9700211-029	
1985		12	90		021000-8751	9700211-029	Part of 100211-0290
8760 (4WD)							
1989	6076	12	120	RE37201	100211-6031	9760218-605	Replaced by 100211-6051
1989	6466	12	120	RE37201	100211-6031	9760218-605	Replaced by 100211-6051
1989	6619	12	120	RE37201	100211-6031	9760218-605	Replaced by 100211-6051



YEAR	ENGINE	VOLTS	AMPS	OEM PART NUMBER	NEW PART NUMBER	REMAN PART NUMBER	APPLICATION INFORMATION
JOHN DEERE (continued)							
8760 (4WD) (continued)							
1989	6076	12	120	RE37201	100211-6031	9760218-605	Replaced by 100211-6051
1989	6466	12	120	RE37201	100211-6031	9760218-605	Replaced by 100211-6051
1989	6619	12	120	RE37201	100211-6031	9760218-605	Replaced by 100211-6051
1988	6466	12	120	RE44140	100211-6050	9760218-605	
1988	6619	12	120	RE44140	100211-6050	9760218-605	
1988	6466	12	120	RE44140	100211-6051	9760218-605	Replaced by 100211-6051
1988	6619	12	120	RE44140	100211-6051	9760218-605	Replaced by 100211-6051
9960 (COTTON PICKER)							
1988	6076	12	90	AN193461	100211-5800		
ALL AG. TRACTORS W/CAB							
1985		12	75	AR93447	100211-0280		Replaced by 100211-0292
1979		12	90	AR87205	100211-0081	9700211-029	Replaced by 100211-0292
FORAGE HARVESTERS							
1986-1992	5830	12	90	AT103789	100211-0292	9700211-029	
1982-1986	5720	12	90	AT103789	100211-0292	9700211-029	
1982-1986	5820	12	90	AT103789	100211-0292	9700211-029	
LOADERS							
1987-1988	444D w/ 6-329 Diesel Eng.	12	90	AT103789	100211-0292	9700211-029	
1987-1988	544D	12	90	AT103789	100211-0292	9700211-029	
M, MR							
1992		12	90	RE34888	101211-5030	9761219-503	
M6MR							
1991		12	140	RE46608	100211-6420		
MW1							
1993	6059	12	120	RE34890	101211-7130	9761219-713	
1993	6068	12	120	RE34890	101211-7130	9761219-713	
1993	6059	12	120	RE60745	101211-7130	9761219-713	
1993	6068	12	120	RE60745	101211-7130	9761219-713	
MW2							
1993	6059	12	120	RE60745	101211-7130	9761219-713	
1993	6068	12	120	RE60745	101211-7130	9761219-713	
S-TRACTOR							
1995		12	60	RE729171	101211-2471	9761219-247	
1991		12	40	RE42778	100211-4701		
2003		12	65	RE509080	102211-5730		
TRACTORS							
1983-1988	4650 w/ 6-466 Diesel Eng.	12	90	AT103789	100211-0292	9700211-029	
1983-1988	4850 w/ 6-466 Diesel Eng.	12	90	AT103789	100211-0292	9700211-029	
1978-1982	4840 w/ 6-466 Diesel Eng.	12	90	AT103789	100211-0292	9700211-029	
TRACTORS 3TNE78A-JT, 3TNE74, 3TG72							
		12	40	TY25243	101211-1170	9761219-117	



YEAR	ENGINE	VOLTS	AMPS	OEM PART NUMBER	NEW PART NUMBER	REMAN PART NUMBER	APPLICATION INFORMATION
JOHN DEERE (continued)							
5210 TRACTOR							
1998-2000		12	40	RE72916	101211-1131		
5310 TRACTOR							
1998-2000		12	40	RE72916	101211-1131		
5410 TRACTOR							
1998-2000		12	40	RE72916	101211-1131		
5510 TRACTOR							
1998-2000		12	40	RE72916	101211-1131		
6081							
	8.1L Natural Gas Engines	12	140	RE500226	101211-7780		
	8.1L Power Tech Engines	12	140	RE500226	101211-7780		
6105							
	10.5L & 12.5L Power Tech Engines	12	140	RE500226	101211-7780		
6125							
	10.5L & 12.5L Power Tech Engines	12	140	RE500226	101211-7780		
6081							
	8.1L Marine Engines	12	140	RE500226	101211-7780		
6125							
	12.5L Marine Engines	12	140	RE500226	101211-7780		
3510 SUGAR CANE HARVESTER							
1998-2000	8.1L Power Tech Engines	12	140	RE500226	101211-7780		
6081							
	8.1L Natural Gas Engines	24	60	RE65414	102211-0400		
	8.1L Power Tech Engines	24	60	RE65414	102211-0400		
6105							
	10.5L & 12.5L Power Tech Engines	24	60	RE65414	102211-0400		
6125							
	10.5L & 12.5L Power Tech Engines	24	60	RE65414	102211-0400		
6081							
	8.1L Power Tech Marine Engines	24	60	RE65414	102211-0400		
6125							
	12.5L Power Tech Marine Engines	24	60	RE65414	102211-0400		
6135							
	13.5 Power Tech Engines	24	60	RE65414	102211-0400		
6090							
	9.0L Power Tech Engines	24	60	RE65414	102211-0400		



YEAR	ENGINE	VOLTS	AMPS	OEM PART NUMBER	NEW PART NUMBER	REMAN PART NUMBER	APPLICATION INFORMATION
JOHN DEERE (continued)							
6081							
	8.1L Natural Gas Engines	12	90	RE500227	102211-1180		
	8.1L Power Tech Engines	12	90	RE500227	102211-1180		
6105							
	10.5L & 12.5L Power Tech Engines	12	90	RE500227	102211-1180		
6125							
	10.5L & 12.5L Power Tech Engines	12	90	RE500227	102211-1180		
	12.5L Power Tech Engines	12	90	RE500227	102211-1180		
6081							
	8.1L Power Tech Marine Engine	12	90	RE500227	102211-1180		
6125							
	12.5L Power Tech Marine Engines	12	90	RE500227	102211-1180		
6090							
	9.0L Power Tech Engines	12	90	RE500227	102211-1180		
	9.0L Power Tech Plus Engines (Tier 3)	12	90	RE500227	102211-1180		
6135							
	13.5 Power Tech Engines	12	90	RE500227	102211-1180		
4040							
1978-1982		12	90	AR93448	100211-0292		
4240							
1978-1982		12	90	AR93448			
4440							
1978-1982		12	90	AR93448			
4640							
1987		12	90	AR93448	100211-0292		
4050							
1983-1988		12	90	AR93448	100211-0292		
4250							
1983-1988		12	90	AR93448			
4450							
1983-1988		12	90	AR93448			
4650							
1983-1988		12	90	AR93448	100211-0292		
8440							
1979-1982		12	90	AR93448	100211-0292		
8640							
1979-1982		12	90	AR93448	100211-0292		



YEAR	ENGINE	VOLTS	AMPS	OEM PART NUMBER	NEW PART NUMBER	REMAN PART NUMBER	APPLICATION INFORMATION
JOHN DEERE (continued)							
FORAGE HARVESTERS							
	5730	12	90	AR93448	100211-0292		
	5830	12	90	AR93448	100211-0292		
5103, 5203, 5303 & 5403 TRACTORS							
		12	40	RE72915	100211-4701		
CS GATOR UTILITY VEHICLE							
	249cc Kawasaki 8HP Engine	12	40	RE72915	100211-4701		
CX GATOR UTILITY VEHICLE							
2004-2008	286cc Kawasaki 10HP Engine	12	40	RE72915	100211-4701		
5220 & 5320 TRACTORS							
2000-2004		12	40	RE72915	100211-4701		
9930 (COTTON PICKER)							
		12	90	AN193461	100211-5800		
9950 (COTTON PICKER)							
		12	90	AN193461			
7445 COTTON STRIPPER							
		12	90	AN193461	100211-5800		
6076							
		12	90	AN193461	100211-5800		
7600 & 7800 TRACTOR							
1992-1996		12	140	RE46608	100211-6420		
7700 TRACTOR							
1993-1996		12	140	RE46608	100211-6420		
8100, 8200, 8300 & 8400 TRACTORS							
1994-1998		12	140	RE46608	100211-6420		
4700 SELF-PROPELLED SPRAYER							
2000-2003	PowerTech	12	140	RE46608	100211-6420		
9100, 9200, 9300 & 9400 TRACTORS							
1996-2002		12	140	RE46608	100211-6420		
7610 TRACTORS							
1997-2002		12	140	RE46608	100211-6420		
7710 & 7810 TRACTORS							
1997-2003		12	140	RE46608	100211-6420		
9300T, 9400T TRACTORS							
2000-2001		12	140	RE46608	100211-6420		
8110, 8210, 8310 & 8410 TRACTORS							
1999-2002		12	140	RE46608	100211-6420		
8110T, 8210T, 8310T & 8410T TRACTORS							
2000-2001		12	140	RE46608	100211-6420		
4710 SELF-PROPELLED SPRAYER							
2003-2004		12	140	RE46608	100211-6420		



YEAR	ENGINE	VOLTS	AMPS	OEM PART NUMBER	NEW PART NUMBER	REMAN PART NUMBER	APPLICATION INFORMATION
JOHN DEERE (continued)							
9120, 9220, 9320, 9420 & 9520 TRACTORS							
2002-2007		12	140	RE46608	100211-6420		
9620 TRACTORS							
2004-2007		12	140	RE46608	100211-6420		
9320T, 9420T & 9520T TRACTORS							
2002-2007		12	140	RE46608	100211-6420		
9620T TRACTORS							
2004-2007		12	140	RE46608	100211-6420		
3510 SUGAR CANE HARVESTER							
		12	140	RE46608	100211-6420		Option 1000 & 1010
5200, 5300, 5400 & 5500 TRACTORS							
1992-1997		12	60	RE72917	101211-2471		
5400N & 5500N TRACTORS							
		12	60	RE72917	101211-2471		
5210 & 5310 TRACTORS							
1998-2000		12	60	RE72917	101211-2471		
5310N TRACTORS							
		12	60	RE72917	101211-2471		
5320N TRACTORS							
		12	60	RE72917	101211-2471		
4X2 & 4X4 HPX & 4X4 TRAIL HPX GATOR UTILITY VEHICLE							
2000-2008	Kawasaki FD620 (Gas)	12	60	RE72917	101211-2471		
5220 & 5320 TRACTORS							
2000-2004		12	60	RE72917	101211-2471		
TS GATOR UTILITY VEHICLE							
2006-2008	Kawasaki 11.1hp	12	60	RE72917	101211-2471		
TX GATOR UTILITY VEHICLE							
2005-2007	Kawasaki 13hp	12	60	RE72917	101211-2471		
TH 6X4 GATOR UTILITY VEHICLE							
2004-2006	Kawasaki 19hp (Gas)	12	60	RE72917	101211-2471		
XUV GATOR UTILITY VEHICLE 620I							
2006-	Kawasaki FD620 (Gas)	12	60	RE72917	101211-2471		
3029DF							
	PowerTech 2.9L Engine	12	60	RE506145	101211-8620		
5410 & 5510 TRACTORS							
		12	65	RE72918	102211-5121		
5510N TRACTORS							
		12	65	RE72918	102211-5121		
5420N & 5520N TRACTORS							
		12	65	RE72918	102211-5121		
5420 & 5520 TRACTORS							
2000-2004		12	65	RE72918	102211-5121		



YEAR	ENGINE	VOLTS	AMPS	OEM PART NUMBER	NEW PART NUMBER	REMAN PART NUMBER	APPLICATION INFORMATION
JOHN DEERE (continued)							
4024							
	PowerTech 2.4L (4024) Engine	12	65	RE509080	102211-5730		
5030							
	PowerTech 3.0L Engine (5030)	12	65	RE509080	102211-5730		
4045							
	PowerTech 4045 Engines	12	65	RE509080	102211-5730		
4024							
	PowerTech E 2.4L Engine	12	65	RE509080	102211-5730		
5030							
	PowerTech E 3.0L Engine	12	65	RE509080	102211-5730		
4045							
	PowerTech 4.5L Engine (4045HF280)	12	65	RE509080	102211-5730		
4024							
	PowerTech 2.4L Engine (4024TF281)	12	65	RE509080	102211-5730		
	PowerTech E 2.4L Engine (4024HF295)	12	65	RE509080	102211-5730		
9120, 9220, 9320, 9420 & 9520 TRACTORS							
2002-2007		12	150	RE257541	104210-3921		
9620 TRACTORS							
2004-2007		12	150	RE257541	104210-3921		
7720, 7820 & 7920 TRACTORS							
2004-2006		12	150	RE257541	104210-3921		
9320T, 9420T & 9520T TRACTORS							
2002-2007		12	150	RE257541	104210-3921		
9620T TRACTORS							
2004-2007		12	150	RE257541	104210-3921		
4720 SELF-PROPELLED SPRAYER							
2005		12	150	RE257541	104210-3921		
KENWORTH							
T600							
1996-1997	Caterpillar 3176	12	130	19011155	101211-8060		
T800							
1996-1997	Caterpillar 3176	12	130	19011155	101211-8060		
W900							
1996-1997	Caterpillar 3176	12	130	19011155	101211-8060		
T600							
1996-1999	Caterpillar 3306	12	130	19011155	101211-8060		



YEAR	ENGINE	VOLTS	AMPS	OEM PART NUMBER	NEW PART NUMBER	REMAN PART NUMBER	APPLICATION INFORMATION
KENWORTH (continued)							
T800							
1996-1999	Caterpillar 3306	12	130	19011155	101211-8060		
W900							
1996-1999	Caterpillar 3306	12	130	19011155	101211-8060		
T600							
1996-1999	Caterpillar 3406	12	130	19011155	101211-8060		
T800							
1996-1999	Caterpillar 3406	12	130	19011155	101211-8060		
W900							
1996-1999	Caterpillar 3406	12	130	19011155	101211-8060		
T600							
1998-1999	Caterpillar C10	12	130	19011155	101211-8060		
T800							
1998-1999	Caterpillar C10	12	130	19011155	101211-8060		
W900							
1998-1999	Caterpillar C10	12	130	19011155	101211-8060		
T660							
2007	Caterpillar C13	12	130	D27-6001-0130J	101211-8120		For Class 8 130A Applications
T800							
2007	Caterpillar C13	12	130	D27-6001-0130J	101211-8120		For Class 8 130A Applications
T2000							
2007	Caterpillar C13	12	130	D27-6001-0130J	101211-8120		For Class 8 130A Applications
W900							
2007	Caterpillar C13	12	130	D27-6001-0130J	101211-8120		For Class 8 130A Applications
T660							
2007	Caterpillar C15	12	130	D27-6001-0130J	101211-8120		For Class 8 130A Applications
T800							
2007	Caterpillar C15	12	130	D27-6001-0130J	101211-8120		For Class 8 130A Applications
T660							
2007	Caterpillar C13	12	130	D27-6001-0130P	101211-8390		For Class 8 130A Applications
T2000							
2007	Caterpillar C15	12	130	D27-6001-0130J	101211-8120		For Class 8 130A Applications
T800							
2007	Caterpillar C13	12	130	D27-6001-0130P	101211-8390		For Class 8 130A Applications
T600							
1998-1999	Caterpillar C12	12	130	19011155	101211-8060		
T800							
1998-1999	Caterpillar C12	12	130	19011155	101211-8060		
W900							
1998-1999	Caterpillar C12	12	130	19011155	101211-8060		
T600							
1996-1997	Caterpillar 3176	12	105	19011150	101211-8050		
1996-1997	Caterpillar 3306	12	105	19011150	101211-8050		



YEAR	ENGINE	VOLTS	AMPS	OEM PART NUMBER	NEW PART NUMBER	REMAN PART NUMBER	APPLICATION INFORMATION
KENWORTH (continued)							
T600 (continued)							
1996-1997	Caterpillar 3406	12	105	19011150	101211-8050		
1996-1997	Cummins M11	12	105	19011150	101211-8050		
1996-1997	Detroit Diesel Series 60	12	105	19011150	101211-8050		
W900							
2007	Caterpillar C15	12	130	D27-6001-0130J	101211-8120		For Class 8 130A Applications
T2000							
2007	Caterpillar C13	12	130	D27-6001-0130P	101211-8390		For Class 8 130A Applications
W900							
2007	Caterpillar C13	12	130	D27-6001-0130P	101211-8390		For Class 8 130A Applications
T800							
1996-1997	Caterpillar 3176	12	105	19011150	101211-8050		
T600							
1996-1999	Cummins M11	12	130	19011155	101211-8060		
T800							
1996-1997	Caterpillar 3306	12	105	19011150	101211-8050		
1996-1997	Caterpillar 3406	12	105	19011150	101211-8050		
1996-1997	Cummins M11	12	105	19011150	101211-8050		
1996-1997	Detroit Diesel Series 60	12	105	19011150	101211-8050		
C500							
2007	Caterpillar C9	12	130	D27-6001-0130J	101211-8120		For Medium Duty 130A applications
T300							
2007	Caterpillar C9	12	130	D27-6001-0130J	101211-8120		For Medium Duty 130A applications
T660							
2007	Caterpillar C15	12	130	D27-6001-0130P	101211-8390		For Class 8 130A Applications
T800							
1996-1999	Cummins M11	12	130	19011155	101211-8060		
W900							
1996-1999	Cummins M11	12	130	19011155	101211-8060		
1996-1997	Caterpillar 3176	12	105	19011150	101211-8050		
1996-1997	Caterpillar 3306	12	105	19011150	101211-8050		
1996-1997	Caterpillar 3406	12	105	19011150	101211-8050		
1996-1997	Cummins M11	12	105	19011150	101211-8050		
1996-1997	Detroit Diesel Series 60	12	105	19011150	101211-8050		
T800							
2007	Caterpillar C15	12	130	D27-6001-0130P	101211-8390		For Class 8 130A Applications
T2000							
2007	Caterpillar C15	12	130	D27-6001-0130P	101211-8390		For Class 8 130A Applications
W900							
2007	Caterpillar C15	12	130	D27-6001-0130P	101211-8390		For Class 8 130A Applications
T660							
2007	Cummins ISM	12	130	D27-6001-0130J	101211-8120		For Class 8 130A Applications
T800							
2007	Cummins ISM	12	130	D27-6001-0130J	101211-8120		For Class 8 130A Applications

ALTERNATOR APPLICATIONS



YEAR	ENGINE	VOLTS	AMPS	OEM PART NUMBER	NEW PART NUMBER	REMAN PART NUMBER	APPLICATION INFORMATION
KENWORTH (continued)							
T2000							
2007	Cummins ISM	12	130	D27-6001-0130J	101211-8120		For Class 8 130A Applications
W900							
2007	Cummins ISM	12	130	D27-6001-0130J	101211-8120		For Class 8 130A Applications
C500							
2007	Caterpillar C9	12	130	D27-6001-0130P	101211-8390		For Medium Duty 130A applications
T300							
2007	Caterpillar C9	12	130	D27-6001-0130P	101211-8390		For Medium Duty 130A applications
T660							
2007	Cummins ISX	12	130	D27-6001-0130J	101211-8120		For Class 8 130A Applications
T800							
2007	Cummins ISX	12	130	D27-6001-0130J	101211-8120		For Class 8 130A Applications
T660							
2007	Cummins ISM	12	130	D27-6001-0130P	101211-8390		For Class 8 130A Applications
T2000							
2007	Cummins ISX	12	130	D27-6001-0130J	101211-8120		For Class 8 130A Applications
T800							
2007	Cummins ISM	12	130	D27-6001-0130P	101211-8390		For Class 8 130A Applications
W900							
2007	Cummins ISX	12	130	D27-6001-0130J	101211-8120		For Class 8 130A Applications
T2000							
2007	Cummins ISM	12	130	D27-6001-0130P	101211-8390		For Class 8 130A Applications
W900							
2007	Cummins ISM	12	130	D27-6001-0130P	101211-8390		For Class 8 130A Applications
T660							
2007	Cummins ISX	12	130	D27-6001-0130P	101211-8390		For Class 8 130A Applications
T800							
2007	Cummins ISX	12	130	D27-6001-0130P	101211-8390		For Class 8 130A Applications
T2000							
2007	Cummins ISX	12	130	D27-6001-0130P	101211-8390		For Class 8 130A Applications
W900							
2007	Cummins ISX	12	130	D27-6001-0130P	101211-8390		For Class 8 130A Applications
T600							
1998-1999	Detroit Diesel Series 60	12	130	19011167	101211-8060		
1996-1999	Detroit Diesel Series 60	12	130	19011155	101211-8060		
T800							
1998-1999	Detroit Diesel Series 60	12	130	19011167	101211-8060		
1996-1999	Detroit Diesel Series 60	12	130	19011155	101211-8060		
W900							
1998-1999	Detroit Diesel Series 60	12	130	19011167	101211-8060		
1996-1999	Detroit Diesel Series 60	12	130	19011155	101211-8060		



YEAR	ENGINE	VOLTS	AMPS	OEM PART NUMBER	NEW PART NUMBER	REMAN PART NUMBER	APPLICATION INFORMATION
KOHLER							
GEN SET							
1996	10CC061	12	30		100211-4520	9760218-452	Available in Reman Only
KOMATSU							
2001-2003	4D95LA	24	35	600-861-3610	102211-2850	9762219-285	
1999	4D95L	12	60	600-861-1611	101211-2941		
1996	PC200	24	35	600-861-3410	101211-4310		
1979		12	25		100211-0170		
1978		12	35		021000-7700		Part of 100211-0170
EXCAVATORS							
1979-Up	PC04 w/ 2D94 Eng.	12	25		100211-0170		
1979-Up	PC10 w/ 2D94 Eng.	12	25		100211-0170		
1979-Up	PC20 w/ 2D94 Eng.	12	25		100211-0170		
1979-Up	PC40 w/ 2D94 Eng.	12	25		100211-0170		
1979-1992	PC02 w/ 2D94 Eng.	12	25		100211-0170		
FD20							
1985	4D95S	12	35		100211-0980		
PC220							
2002-2006		24	60	600-861-6410-2	101211-7960	9761219-796	
2002-2006	K08	24	60	600-861-6410	102211-4050	9762219-405	
WA250							
2003-2006		24	35	600-861-3420	102211-9060		
XZN1306							
1995-1996	3VZ-E	24	60	600-861-6410-2	101211-7960	9761219-796	
EXCAVATORS							
1999-	4D95L	12	120	600-861-1951	102211-0830		
KUBOTA							
1996	S10-01	12	60	PH101-81401	101211-1060	9761219-106	Available in Reman Only
1991	F2402	12	45	16771-64012	100211-6881	9760218-688	Available in Reman Only
1988	D1005	12	30	16231-64011	100211-4520	9760218-452	Available in Reman Only
1988	L2850	12	40	16705-64011	100211-4640	9760218-464	Available in Reman Only
1988	A35	12	45	16541-64011	100211-6780	9760218-678	Available in Reman Only
1987	D1102	24	20	17077-64011	100211-4300	9760218-430	Available in Reman Only
1987	V1200	24	20	19883-64011	100211-4310	9760218-431	Available in Reman Only
1987	D1402	12	45	17369-64011	100211-4390	9760218-439	Available in Reman Only
1986	A28	12	40	15881-64201	100211-1630	9760218-163	Available in Reman Only
1986	V1200N	12	40	16241-64011	100211-1670	9760218-167	Available in Reman Only
1984	D3200	12	65	15451-99372	100211-0991	9760218-099	Available in Reman Only
1983	S2800	12	35	15621-64011	121000-0600	9712109-060	Available in Reman Only
1983	F2302-D1-BB	12	35	15763-64011	121000-0980	9712109-098	Available in Reman Only
1983	V1702	12	35	15763-64011	121000-0980	9712109-098	Available in Reman Only
1981	V4000	12	45	15451-64013	021000-9020	9702109-902	Available in Reman Only
1980	Z751-AW	12	35	15253-64011	021000-8660	9702109-866	Available in Reman Only
1979	ZB500C-1K	12	25	15276-64011	021000-8610	9702109-861	Available in Reman Only
1979	VT1502	12	25	15471-64011	021000-8620	9702109-862	Available in Reman Only
1976	V1501	12	25	15411-64011	021000-6840	9702109-684	Available in Reman Only
1972	Z750A	12	10	15221-64012	021000-2551	9702109-255	Discontinued

ALTERNATOR APPLICATIONS



YEAR	ENGINE	VOLTS	AMPS	OEM PART NUMBER	NEW PART NUMBER	REMAN PART NUMBER	APPLICATION INFORMATION
KUBOTA (continued)							
	V2203	12	45	17490-64011	101211-3410	9761219-341	Available in Reman Only
5FDL10							
1986-1989	V1502	12	35		100211-1662	9760218-166	Available in Reman Only
G3AL							
1991	V1702	12	45	17356-64012	100211-6801	9760218-680	Available in Reman Only
M4700 TRACTOR							
1988	D1463	12	40	34070-75601	100211-4650	9760218-465	Available in Reman Only
1988	D1463	12	40	34070-75602	100211-4650	9760218-465	Available in Reman Only
M8580							
1991-2000		12	80	33970-6401-5212	100211-8802	9760218-880	Available in Reman Only
TRACTOR (L4200)							
1995	G3B-H	12	60	TA043-74011	101211-2490	9761219-249	Available in Reman Only
Z600							
1984		12	35	19489-64011	121000-1340	9712109-134	Available in Reman Only
ENGINES							
	D1105	12	40	16678-64012	100211-4730	9760218-473	Available in Reman Only
	V1505	12	40	16678-64012	100211-4730	9760218-473	Available in Reman Only
E21F							
	D1403	12	40	T1060-15682	101211-1360	9761219-136	Available in Reman Only
E21F-Q							
	KL	12	45	T1065-15682	101211-3780	9761219-378	Available in Reman Only
TRACTORS							
	D1403	12	40	16427-64012	100211-4610	9760218-461	Available in Reman Only
GENERATOR							
	D1703	12	40	16427-64012	100211-4610	9760218-461	Available in Reman Only
	D2203	12	40	16427-64012	100211-4610	9760218-461	Available in Reman Only
TRACTOR							
1995-2005	M4900Q	12	60	3A611-74012	101211-8520	9761219-852	Available in Reman Only
	M4700	12	40	3A011-74013	101211-1180	9761219-118	Available in Reman Only
1995-2005	M4800	12	40	3A011-74013	101211-1180	9761219-118	Available in Reman Only
1995-2005	M4900	12	40	3A011-74013	101211-1180	9761219-118	Available in Reman Only
	D1503-PR	12	40	16495-64013	100211-4770	9760218-477	Available in Reman Only
E21							
1998	E21	12	40	T1060-15603	101211-1220	9761219-122	Available in Reman Only
	V1305-BBS-KTC-1	12	60	16615-64012	101211-2850	9761219-285	Available in Reman Only
D15E							
	V1505	12	40	16210-64012	101211-1350	9761219-135	Available in Reman Only
MACK							
2001-2006	Mack E-7	12	130	2MJ57M	101211-8360		Fwd to DSCA PN: 101211-8120
2001-2006	Mack E-7	12	130	2MJ57M	101211-8120		
CH SERIES							
1996-1998	Cummins NTC 300	12	105	19011151	101211-8020		
1996-1998	Cummins NTC 350	12	105	19011151	101211-8020		
1996-1998	Cummins NTC 400	12	105	19011151	101211-8020		



YEAR	ENGINE	VOLTS	AMPS	OEM PART NUMBER	NEW PART NUMBER	REMAN PART NUMBER	APPLICATION INFORMATION
MACK (continued)							
CH SERIES (continued)							
1996-1998	Cummins NTCC	12	105	19011151	101211-8020		
1996-1998	Mack E6	12	105	19011151	101211-8020		
1996-1998	Mack EC6	12	105	19011151	101211-8020		
1996-1998	Mack EM6-235	12	105	19011151	101211-8020		
1996-1998	Mack EM6-237	12	105	19011151	101211-8020		
1996-1998	Mack EM6-275	12	105	19011151	101211-8020		
1996-1998	Mack EM7-300	12	105	19011151	101211-8020		
DM SERIES							
1996-1998	Cummins NTC 300	12	105	19011151	101211-8020		
1996-1998	Cummins NTC 350	12	105	19011151	101211-8020		
1996-1998	Cummins NTC 400	12	105	19011151	101211-8020		
1996-1998	Cummins NTCC	12	105	19011151	101211-8020		
1996-1998	Mack E6	12	105	19011151	101211-8020		
1996-1998	Mack EC6	12	105	19011151	101211-8020		
1996-1998	Mack EM6	12	105	19011151	101211-8020		
1996-1998	Mack EM6-235	12	105	19011151	101211-8020		
1996-1998	Mack EM6-237	12	105	19011151	101211-8020		
1996-1998	Mack EM6-275	12	105	19011151	101211-8020		
1996-1998	Mack EM7-300	12	105	19011151	101211-8020		
1996-1998	Mack EMC6	12	105	19011151	101211-8020		
DMM SERIES							
1996-1998	Cummins NTC 300	12	105	19011151	101211-8020		
1996-1998	Cummins NTC 350	12	105	19011151	101211-8020		
1996-1998	Cummins NTC 400	12	105	19011151	101211-8020		
1996-1998	Cummins NTCC	12	105	19011151	101211-8020		
1996-1998	Mack E6	12	105	19011151	101211-8020		
1996-1998	Mack EC6	12	105	19011151	101211-8020		
1996-1998	Mack EM6	12	105	19011151	101211-8020		
1996-1998	Mack EM6-235	12	105	19011151	101211-8020		
1996-1998	Mack EM6-237	12	105	19011151	101211-8020		
1996-1998	Mack EM6-275	12	105	19011151	101211-8020		
1996-1998	Mack EM7-300	12	105	19011151	101211-8020		
1996-1998	Mack EMC6	12	105	19011151	101211-8020		
MR SERIES							
1996-1998	ALL	12	105	19011151	101211-8020		
MELROE-BOBCAT							
MINI-EXCAVATOR 320							
1996-2000	Kubota D722B	12	40	6669618	101211-1100		
SKID STEER LOADERS 453							
1994-1998	Kubota D750B	12	40	6669618	101211-1100		
SKID STEER LOADERS 553							
1995-2000	Kubota D1005B	12	40	6669618	101211-1100		
SPRAY COUPE							
1998		24	25	6672015	101211-7880		



YEAR	ENGINE	VOLTS	AMPS	OEM PART NUMBER	NEW PART NUMBER	REMAN PART NUMBER	APPLICATION INFORMATION
MERCURY MARINE							
1992	891	12	50	821663	101211-3021		
	2.5L V6 Orbital	12	50	834832	101211-3460		
	2.5L V6 Orbital	12	50	857006	101211-3600		
OUTBOARD MARINE							
1996	3.0L Orbital	12	50	828506	101211-3380		
MITSUBISHI							
1991-Up	4G63	12	65	MD169683, MD169683D	A3T03471	210-9012	Available in Reman Only
1981	F3L912	24	15	04405463	021000-4271		
1981	F4L912	24	15	04405463	021000-4271		
1981	F5L912	24	15	04405463	021000-4271		
1981	F6L912	24	15	04405463	021000-4271		
1980	6DS	24	25	ME029354	100211-0570		Part of 100211-0010
1979		24	20		021000-4711		
1978		12	40		021000-7360		
1977		12	35		021000-6980		
1974	4G41	12	35	KMDO-150-000	021000-2431		
1974	6DS10C	24	15	ME023620-01	021000-4131		
1974	KE70	12	35	KMDO-150-000	021000-2431		
1974	KE75	12	35	KMDO-150-000	021000-2431		
6DS							
1980		24	25		021000-9410		Part of 100211-0570
6DS10C							
1976		24	40		021000-5660		
6DS70C							
1976		24	40		021000-5660		
D3							
1979		12	45		021000-8420		Part of 100211-0230
1979		12	75		021000-8460		Part of 100211-0250
D3B-SA							
1986		12	55		121000-2510		Part of 100211-2970
F5L9129							
1979		24	20		021000-8490		Part of 100210-1750
MITSUBI-DEUTZ							
1983	F3L912	24	25		121000-1520		Part of 100211-2560
1983	F4L912	24	25		121000-1520		Part of 100211-2560
1980	F3L912	24	25	04411210	021000-8870		
1980	F4L912	24	25	04411210	021000-8870		
1980	F5L912	24	25	04411210	021000-8870		
1980	F6L912	24	25	04411210	021000-8870		
1979	F4L912	24	15	04405463	021000-4271		
1979	F4L912	24	20	04408422	021000-4711		
1979	F5L912	24	15	04405463	021000-4271		
1979	F5L912	24	20	04408422	021000-4711		
1979	F5L912	24	20	04410870	100210-1750		
1979	F6L912	24	15	04405463	021000-4271		
1979	F6L912	24	20	04408422	021000-4711		



YEAR	ENGINE	VOLTS	AMPS	OEM PART NUMBER	NEW PART NUMBER	REMAN PART NUMBER	APPLICATION INFORMATION
MITSUI-DEUTZ (continued)							
1978	F4L912	24	15	04405463	021000-4271		
1978	F5L912	24	15	04405463	021000-4271		
1978	F6L912	24	15	04405463	021000-4271		
1973	F2L912	12	30	04405242	021000-2252		
1973	F3L912	12	30	04405442	021000-2901		
ENGINES							
1983-Up	F3L912	24	25	04412972	100211-2560		
1983-Up	F3L912	24	25		121000-1520		Part of 100211-2560
1983-Up	F4L912	24	25	04412972	100211-2560		
1983-Up	F4L912	24	25		121000-1520		Part of 100211-2560
1983-Up	F5L912	24	25	04412972	100211-2560		
1983-Up	F6L912	24	25	04412972	100211-2560		
1983-Up	F6L912	24	25		121000-1520		Part of 100211-2560
1983-Up	F6L913	24	25	04411210	021000-8870		
1983-1979	F5L912 w/ Vacuum Pump	24	20	04410870	100210-1750		
1981-Up	BF5L913	24	15	04405463	021000-4271		
1981-Up	BF5L913	24	20	04408422	021000-4711		
1981-Up	BF5L913	24	25	04411210	021000-8870		
1981-Up	BF6L913	24	15	04405463	021000-4271		
1981-Up	BF6L913	24	20	04408422	021000-4711		
1981-Up	BF6L913	24	25	04411210	021000-8870		
1981-Up	BF6L913C	24	15	04405463	021000-4271		
1981-Up	BF6L913C	24	20	04408422	021000-4711		
1981-Up	BF6L913C	24	25	04411210	021000-8870		
1979-Up	F3L912	24	25	04411210	021000-8870		
1979-Up	F4L912	24	25	04411210	021000-8870		
1979-Up	F5L912	24	25	04411210	021000-8870		
1979-Up	F6L912	24	25	04411210	021000-8870		
1974-Up	F3L912	24	15	04405463	021000-4271		
1974-Up	F3L912	24	20	04408422	021000-4711		
1974-Up	F4L912	24	15	04405463	021000-4271		
1974-Up	F4L912	24	20	04408422	021000-4711		
1974-Up	F5L912	24	15	04405463	021000-4271		
1974-Up	F5L912	24	20	04408422	021000-4711		
1974-Up	F6L912	24	15	04405463	021000-4271		
1974-Up	F6L912	24	20	04408422	021000-4711		
1974-1981	F3L912	12	30	04405442	021000-2901		
1973-1980	F2L912	12	30	04405242	021000-2252		
NAVISTAR							
2000	T444E 7.3l	12	130	3554455C91	101211-8290		
NISSAN							
1997-Up	H20II, H15	12	35	23100 50K10		210-9010	Available in Reman Only
F01							
1975-Up	SD22 Diesel	12	35	23100-L1802	211-9005	210-9005	
F02							
1984-Up	SD25 Diesel	12	35	23100-L1802	211-9005	210-9005	



YEAR	ENGINE	VOLTS	AMPS	OEM PART NUMBER	NEW PART NUMBER	REMAN PART NUMBER	APPLICATION INFORMATION
NISSAN (continued)							
F03							
1989-Up	TD42	24	25	23100-51H00	211-9003	210-9003	
1989-Up	TD42	24	25	23100-51H00	211-9003	210-9003	
FG204							
1975-Up	J15	12	35	23100-U110	211-9004	210-9004	
H02							
1986-Up	SD25 Diesel	12	40	23099-R8109	211-9001	210-9001	
KH02							
1993-Up	SD25 Diesel	12	40	23099-R8109	211-9001	210-9001	
NFG101							
1975-Up	D11	12	35	23100-U110	211-9004	210-9004	
NFG104							
1976-Up	H20	12	35	23100-U110	211-9004	210-9004	
QF02							
1980-Up	SD22 Diesel	12	35	23100-L1802	211-9005	210-9005	
1980-Up	SD23 Diesel	12	35	23100-L1802	211-9005	210-9005	
1972-Up	SD22 Diesel	12	35	23100-U110	211-9004	210-9004	
UF03							
ALL	SD33T	24	15	23100-L6001	211-9006	210-9006	
VARIOUS							
1979-Up	SD22 Diesel	12	35	23100-L1802	211-9005	210-9005	
1979-Up	SD25 Diesel	12	35	23100-L1802	211-9005	210-9005	
YE03							
1981-Up	SD33T	24	15	23100-L6001	211-9006	210-9006	
YGF03							
1981-Up	SD33T	24	15	23100-L6001	211-9006	210-9006	
PETERBILT							
340							
2007	Caterpillar C13	12	130	D27-6001-0130J	101211-8120		For Class 8 130A Applications
365							
2007	Caterpillar C13	12	130	D27-6001-0130J	101211-8120		For Class 8 130A Applications
367							
2007	Caterpillar C13	12	130	D27-6001-0130J	101211-8120		For Class 8 130A Applications
379							
2007	Caterpillar C13	12	130	D27-6001-0130J	101211-8120		For Class 8 130A Applications
389							
2007	Caterpillar C13	12	130	D27-6001-0130J	101211-8120		For Class 8 130A Applications
388							
2007	Caterpillar C13	12	130	D27-6001-0130J	101211-8120		For Class 8 130A Applications
387							
2007	Caterpillar C13	12	130	D27-6001-0130J	101211-8120		For Class 8 130A Applications
386							
2007	Caterpillar C13	12	130	D27-6001-0130J	101211-8120		For Class 8 130A Applications



YEAR	ENGINE	VOLTS	AMPS	OEM PART NUMBER	NEW PART NUMBER	REMAN PART NUMBER	APPLICATION INFORMATION
PETERBILT (continued)							
384							
2007	Caterpillar C13	12	130	D27-6001-0130J	101211-8120		For Class 8 130A Applications
340							
2007	Caterpillar C15	12	130	D27-6001-0130J	101211-8120		For Class 8 130A Applications
365							
2007	Caterpillar C15	12	130	D27-6001-0130J	101211-8120		For Class 8 130A Applications
340							
2007	Caterpillar C13	12	130	D27-6001-0130P	101211-8390		For Class 8 130A Applications
367							
2007	Caterpillar C15	12	130	D27-6001-0130J	101211-8120		For Class 8 130A Applications
365							
2007	Caterpillar C13	12	130	D27-6001-0130P	101211-8390		For Class 8 130A Applications
379							
2007	Caterpillar C15	12	130	D27-6001-0130J	101211-8120		For Class 8 130A Applications
367							
2007	Caterpillar C13	12	130	D27-6001-0130P	101211-8390		For Class 8 130A Applications
389							
2007	Caterpillar C15	12	130	D27-6001-0130J	101211-8120		For Class 8 130A Applications
379							
2007	Caterpillar C13	12	130	D27-6001-0130P	101211-8390		For Class 8 130A Applications
388							
2007	Caterpillar C15	12	130	D27-6001-0130J	101211-8120		For Class 8 130A Applications
389							
2007	Caterpillar C13	12	130	D27-6001-0130P	101211-8390		For Class 8 130A Applications
387							
2007	Caterpillar C15	12	130	D27-6001-0130J	101211-8120		For Class 8 130A Applications
388							
2007	Caterpillar C13	12	130	D27-6001-0130P	101211-8390		For Class 8 130A Applications
386							
2007	Caterpillar C15	12	130	D27-6001-0130J	101211-8120		For Class 8 130A Applications
387							
2007	Caterpillar C13	12	130	D27-6001-0130P	101211-8390		For Class 8 130A Applications
384							
2007	Caterpillar C15	12	130	D27-6001-0130J	101211-8120		For Class 8 130A Applications
386							
2007	Caterpillar C13	12	130	D27-6001-0130P	101211-8390		For Class 8 130A Applications
384							
2007	Caterpillar C13	12	130	D27-6001-0130P	101211-8390		For Class 8 130A Applications
220							
2007	Caterpillar C9	12	130	D27-6001-0130J	101211-8120		For Class 8 130A Applications
320							
2007	Caterpillar C9	12	130	D27-6001-0130J	101211-8120		For Class 8 130A Applications

ALTERNATOR APPLICATIONS



YEAR	ENGINE	VOLTS	AMPS	OEM PART NUMBER	NEW PART NUMBER	REMAN PART NUMBER	APPLICATION INFORMATION
PETERBILT (continued)							
330							
2007	Caterpillar C9	12	130	D27-6001-0130J	101211-8120		For Class 8 130A Applications
335							
2007	Caterpillar C9	12	130	D27-6001-0130J	101211-8120		For Class 8 130A Applications
340							
2007	Caterpillar C15	12	130	D27-6001-0130P	101211-8390		For Class 8 130A Applications
365							
2007	Caterpillar C15	12	130	D27-6001-0130P	101211-8390		For Class 8 130A Applications
367							
2007	Caterpillar C15	12	130	D27-6001-0130P	101211-8390		For Class 8 130A Applications
379							
2007	Caterpillar C15	12	130	D27-6001-0130P	101211-8390		For Class 8 130A Applications
389							
2007	Caterpillar C15	12	130	D27-6001-0130P	101211-8390		For Class 8 130A Applications
340							
2007	Cummins ISM	12	130	D27-6001-0130J	101211-8120		For Class 8 130A Applications
388							
2007	Caterpillar C15	12	130	D27-6001-0130P	101211-8390		For Class 8 130A Applications
365							
2007	Cummins ISM	12	130	D27-6001-0130J	101211-8120		For Class 8 130A Applications
387							
2007	Caterpillar C15	12	130	D27-6001-0130P	101211-8390		For Class 8 130A Applications
367							
2007	Cummins ISM	12	130	D27-6001-0130J	101211-8120		For Class 8 130A Applications
386							
2007	Caterpillar C15	12	130	D27-6001-0130P	101211-8390		For Class 8 130A Applications
379							
2007	Cummins ISM	12	130	D27-6001-0130J	101211-8120		For Class 8 130A Applications
384							
2007	Caterpillar C15	12	130	D27-6001-0130P	101211-8390		For Class 8 130A Applications
389							
2007	Cummins ISM	12	130	D27-6001-0130J	101211-8120		For Class 8 130A Applications
388							
2007	Cummins ISM	12	130	D27-6001-0130J	101211-8120		For Class 8 130A Applications
387							
2007	Cummins ISM	12	130	D27-6001-0130J	101211-8120		For Class 8 130A Applications
220							
2007	Caterpillar C9	12	130	D27-6001-0130P	101211-8390		For Class 8 130A Applications
386							
2007	Cummins ISM	12	130	D27-6001-0130J	101211-8120		For Class 8 130A Applications
320							
2007	Caterpillar C9	12	130	D27-6001-0130P	101211-8390		For Class 8 130A Applications



YEAR	ENGINE	VOLTS	AMPS	OEM PART NUMBER	NEW PART NUMBER	REMAN PART NUMBER	APPLICATION INFORMATION
PETERBILT (continued)							
384							
2007	Cummins ISM	12	130	D27-6001-0130J	101211-8120		For Class 8 130A Applications
330							
2007	Caterpillar C9	12	130	D27-6001-0130P	101211-8390		For Class 8 130A Applications
335							
2007	Caterpillar C9	12	130	D27-6001-0130P	101211-8390		For Class 8 130A Applications
340							
2007	Cummins ISX	12	130	D27-6001-0130J	101211-8120		For Class 8 130A Applications
365							
2007	Cummins ISX	12	130	D27-6001-0130J	101211-8120		For Class 8 130A Applications
340							
2007	Cummins ISM	12	130	D27-6001-0130P	101211-8390		For Class 8 130A Applications
367							
2007	Cummins ISX	12	130	D27-6001-0130J	101211-8120		For Class 8 130A Applications
365							
2007	Cummins ISM	12	130	D27-6001-0130P	101211-8390		For Class 8 130A Applications
379							
2007	Cummins ISX	12	130	D27-6001-0130J	101211-8120		For Class 8 130A Applications
367							
2007	Cummins ISM	12	130	D27-6001-0130P	101211-8390		For Class 8 130A Applications
389							
2007	Cummins ISX	12	130	D27-6001-0130J	101211-8120		For Class 8 130A Applications
379							
2007	Cummins ISM	12	130	D27-6001-0130P	101211-8390		For Class 8 130A Applications
388							
2007	Cummins ISX	12	130	D27-6001-0130J	101211-8120		For Class 8 130A Applications
389							
2007	Cummins ISM	12	130	D27-6001-0130P	101211-8390		For Class 8 130A Applications
387							
2007	Cummins ISX	12	130	D27-6001-0130J	101211-8120		For Class 8 130A Applications
388							
2007	Cummins ISM	12	130	D27-6001-0130P	101211-8390		For Class 8 130A Applications
386							
2007	Cummins ISX	12	130	D27-6001-0130J	101211-8120		For Class 8 130A Applications
387							
2007	Cummins ISM	12	130	D27-6001-0130P	101211-8390		For Class 8 130A Applications
384							
2007	Cummins ISX	12	130	D27-6001-0130J	101211-8120		For Class 8 130A Applications
386							
2007	Cummins ISM	12	130	D27-6001-0130P	101211-8390		For Class 8 130A Applications
384							
2007	Cummins ISM	12	130	D27-6001-0130P	101211-8390		For Class 8 130A Applications



YEAR	ENGINE	VOLTS	AMPS	OEM PART NUMBER	NEW PART NUMBER	REMAN PART NUMBER	APPLICATION INFORMATION
PETERBILT (continued)							
340							
2007	Cummins ISX	12	130	D27-6001-0130P	101211-8390		For Class 8 130A Applications
365							
2007	Cummins ISX	12	130	D27-6001-0130P	101211-8390		For Class 8 130A Applications
367							
2007	Cummins ISX	12	130	D27-6001-0130P	101211-8390		For Class 8 130A Applications
379							
2007	Cummins ISX	12	130	D27-6001-0130P	101211-8390		For Class 8 130A Applications
389							
2007	Cummins ISX	12	130	D27-6001-0130P	101211-8390		For Class 8 130A Applications
388							
2007	Cummins ISX	12	130	D27-6001-0130P	101211-8390		For Class 8 130A Applications
387							
2007	Cummins ISX	12	130	D27-6001-0130P	101211-8390		For Class 8 130A Applications
386							
2007	Cummins ISX	12	130	D27-6001-0130P	101211-8390		For Class 8 130A Applications
384							
2007	Cummins ISX	12	130	D27-6001-0130P	101211-8390		For Class 8 130A Applications
320							
1998-1999	Detroit Diesel Series 60	12	105	19011157	101211-8060		
1998-1999	Detroit Diesel Series 60	12	130	19011167	101211-8060		
357							
1998-1999	Detroit Diesel Series 60	12	105	19011157	101211-8060		
1998-1999	Detroit Diesel Series 60	12	105	19011157	101211-8060		
1998-1999	Detroit Diesel Series 60	12	130	19011167	101211-8060		
1998-1999	Detroit Diesel Series 60	12	130	19011167	101211-8060		
377							
1998-1999	Detroit Diesel Series 60	12	105	19011157	101211-8060		
1998-1999	Detroit Diesel Series 60	12	130	19011167	101211-8060		
378							
1998-1999	Detroit Diesel Series 60	12	105	19011157	101211-8060		
1998-1999	Detroit Diesel Series 60	12	130	19011167	101211-8060		
379							
1998-1999	Detroit Diesel Series 60	12	105	19011157	101211-8060		
1998-1999	Detroit Diesel Series 60	12	130	19011167	101211-8060		
SATOH							
1980	6DS	24	25	ME029354	100211-0570		
S-370							
1974	KE70	12	35	KMDO-150-000	021000-2431		
TCM EQUIPMENT							
FCG15N							
1985-Up	J15PU	12	35	23100-U110	211-9004	210-9004	



YEAR	ENGINE	VOLTS	AMPS	OEM PART NUMBER	NEW PART NUMBER	REMAN PART NUMBER	APPLICATION INFORMATION
TCM EQUIPMENT (continued)							
FCG20N							
1979-Up	H20	12	35	23100-U110	211-9004	210-9004	
FCG23N							
1979-Up	H20	12	35	23100-U110	211-9004	210-9004	
FCG25N							
1979-Up	H20	12	35	23100-U110	211-9004	210-9004	
FCG28N							
1979-Up	H20	12	35	23100-U110	211-9004	210-9004	
FD9Z							
1984-Up	4FE1	12	35	5812003410, 5812003411	211-9000	210-9000	
FD10Z							
1984-Up	4FE1	12	35	5812003410, 5812003411	211-9000	210-9000	
FD14Z							
1984-Up	4FE1	12	35	5812003410, 5812003411	211-9000	210-9000	
FD15Z							
1984-Up	4FE1	12	35	5812003410, 5812003411	211-9000	210-9000	
FD18Z							
1984-Up	4FE1	12	35	5812003410, 5812003411	211-9000	210-9000	
FD20Z							
1984-Up	4FE1	12	35	5812003410, 5812003411	211-9000	210-9000	
1983-Up	C240 Diesel	24	20	5812003350	211-9002	210-9002	
FD23Z							
1984-Up	4FE1	12	35	5812003410, 5812003411	211-9000	210-9000	
1983-Up	C240 Diesel	24	20	5812003350	211-9002	210-9002	
FD25Z							
1984-Up	4FE1	12	35	5812003410, 5812003411	211-9000	210-9000	
1983-Up	C240 Diesel	24	20	5812003350	211-9002	210-9002	
FD28Z							
1983-Up	C240 Diesel	24	20	5812003350	211-9002	210-9002	
FD30Z							
1983-Up	C240 Diesel	24	20	5812003350	211-9002	210-9002	
FG14N							
1985-Up	J15PU	12	35	23100-U110	211-9004	210-9004	
FG15N							
1985-Up	J15PU	12	35	23100-U110	211-9004	210-9004	
FG20N							
1985-Up	J15PU	12	35	23100-U110	211-9004	210-9004	
1979-Up	H20	12	35	23100-U110	211-9004	210-9004	
FG23N							
1979-Up	H20	12	35	23100-U110	211-9004	210-9004	
FG25N							
1985-Up	J15PU	12	35	23100-U110	211-9004	210-9004	



YEAR	ENGINE	VOLTS	AMPS	OEM PART NUMBER	NEW PART NUMBER	REMAN PART NUMBER	APPLICATION INFORMATION
TCM EQUIPMENT (continued)							
FG28N							
1979-Up	H20	12	35	23100-U110	211-9004	210-9004	
FG30N							
1979-Up	H20	12	35	23100-U110	211-9004	210-9004	
FVG20N							
1979-Up	H20	12	35	23100-U110	211-9004	210-9004	
FVG23N							
1979-Up	H20	12	35	23100-U110	211-9004	210-9004	
FVG25N							
1979-Up	H20	12	35	23100-U110	211-9004	210-9004	
FVG28N							
1979-Up	H20	12	35	23100-U110	211-9004	210-9004	
FVG30N							
1979-Up	H20	12	35	23100-U110	211-9004	210-9004	
SD10Z							
1983-Up	C240 Diesel	24	20	5812003350	211-9002	210-9002	
SD12Z							
1983-Up	C240 Diesel	24	20	5812003350	211-9002	210-9002	
THERMO KING							
1991	UMD	12	40		100211-4690		
TOYOTA							
02-2FDC20							
1985-1988	2J (12V..UL-D)	12	45	27020-61110	021000-8040	210-7005	Available in Reman Only
1980-1988	2J	24	15	27020-78601-71	021000-4510	210-7004	Available in Reman Only
02-2FDC25							
1985-1988	2J (12V..UL-D)	12	45	27020-61110	021000-8040	210-7005	Available in Reman Only
1980-1988	2J	24	15	27020-78601-71	021000-4510	210-7004	Available in Reman Only
02-2FDC30							
1980-1988	2J	24	15	27020-78601-71	021000-4510	210-7004	Available in Reman Only
02-2SD10							
1974-1990	2J	24	15	27020-78601-71	021000-4510	210-7004	Available in Reman Only
02-2SD12							
1977-1990	2J	24	15	27020-78601-71	021000-4510	210-7004	Available in Reman Only
1974-1977	2J	24	15	27020-78601-71	021000-4510	210-7004	Available in Reman Only
02-2SG12							
1974-1990	4P,5R	12	30	27020-76003-71	021000-5601	210-7025	Available in Reman Only
02-2SGH10							
1974-1990	4P,5R	12	30	27020-76003-71	021000-5601	210-7025	Available in Reman Only
02-2SGH7							
1975-1992	4P	12	30	27020-76003-71	021000-5601	210-7025	Available in Reman Only
02-3FD10							
1978-1986	2J	24	15	27020-78601-71	021000-4510	210-7004	Available in Reman Only



YEAR	ENGINE	VOLTS	AMPS	OEM PART NUMBER	NEW PART NUMBER	REMAN PART NUMBER	APPLICATION INFORMATION
TOYOTA (continued)							
02-3FD14							
1978-1986	2J	24	15	27020-78601-71	021000-4510	210-7004	Available in Reman Only
02-3FD15							
1978-1986	2J	24	15	27020-78601-71	021000-4510	210-7004	Available in Reman Only
02-3FD18							
1978-1986	2J	24	15	27020-78601-71	021000-4510	210-7004	Available in Reman Only
02-3FD20							
1978-1986	2J, 2JT	24	15	27020-78601-71	021000-4510	210-7004	Available in Reman Only
02-3FD25							
1978-1986	2J, 2JT	24	15	27020-78601-71	021000-4510	210-7004	Available in Reman Only
02-3FD28							
1978-1986	2J, 2JT	24	15	27020-78601-71	021000-4510	210-7004	Available in Reman Only
02-3FD30							
1978-1986	2J, 2JT	24	15	27020-78601-71	021000-4510	210-7004	Available in Reman Only
02-3FD33							
1980-1988	2H	24	15	27020-78601-71	021000-4510	210-7004	Available in Reman Only
02-3FD35							
1980-1988	2H	24	15	27020-78601-71	021000-4510	210-7004	Available in Reman Only
02-3FD40							
1980-1988	2H	24	15	27020-78601-71	021000-4510	210-7004	Available in Reman Only
02-3FG20							
1978-1986	4P,5R	12	30	27020-76003-71	021000-5601	210-7025	Available in Reman Only
02-3FG25							
1978-1986	4P,5R	12	30	27020-76003-71	021000-5601	210-7025	Available in Reman Only
02-3FG33							
1980-1988	2F	12	45	27020-61110	021000-8040	210-7005	Available in Reman Only
02-3FG35							
1980-1988	2F	12	45	27020-61110	021000-8040	210-7005	Available in Reman Only
02-3FG40							
1980-1988	2F	12	45	27020-61110	021000-8040	210-7005	Available in Reman Only
02-3FGC10							
1980-1988	*	12	30	27020-76003-71	021000-5601	210-7025	Available in Reman Only
02-3FGC13							
1980-1988	*	12	30	27020-76003-71	021000-5601	210-7025	Available in Reman Only
02-3FGC15							
1980-1988	*	12	30	27020-76003-71	021000-5601	210-7025	Available in Reman Only
02-4FD20							
1978-1986	2J, 2JT	24	15	27020-78601-71	021000-4510	210-7004	Available in Reman Only
02-4FD23							
1978-1986	2J, 2JT	24	15	27020-78601-71	021000-4510	210-7004	Available in Reman Only
02-4FD25							
1978-1986	2J, 2JT	24	15	27020-78601-71	021000-4510	210-7004	Available in Reman Only



YEAR	ENGINE	VOLTS	AMPS	OEM PART NUMBER	NEW PART NUMBER	REMAN PART NUMBER	APPLICATION INFORMATION
TOYOTA (continued)							
02-4FG10							
1978-1986	4P,5R	12	30	27020-76003-71	021000-5601	210-7025	Available in Reman Only
02-4FG14							
1978-1986	4P,5R	12	30	27020-76003-71	021000-5601	210-7025	Available in Reman Only
02-4FG15							
1978-1986	4P,5R	12	30	27020-76003-71	021000-5601	210-7025	Available in Reman Only
02-4FG18							
1978-1986	4P,5R	12	30	27020-76003-71	021000-5601	210-7025	Available in Reman Only
02-4FG20							
1978-1986	4P,5R	12	30	27020-76003-71	021000-5601	210-7025	Available in Reman Only
02-4FG23							
1978-1986	4P,5R	12	30	27020-76003-71	021000-5601	210-7025	Available in Reman Only
02-4FG25							
1978-1986	4P,5R	12	30	27020-76003-71	021000-5601	210-7025	Available in Reman Only
02-4FGC20							
1980-1988	4P,5R	12	30	27020-76003-71	021000-5601	210-7025	Available in Reman Only
02-4FGC25							
1980-1988	4P,5R	12	30	27020-76003-71	021000-5601	210-7025	Available in Reman Only
02-5FD10							
1989-1994	1DZ	12	40	27060-78305-71	100211-6931	210-7001	Available in Reman Only
1989-1994	1DZ (HI-CAPACITY)	12	50	27070-23041-71	100211-6961	210-7019	Available in Reman Only
1986-1989	2J	12	40	27060-78301-71	100211-4004	210-7003	To 3/89. Available in Reman Only
1989	2J	12	40	27060-78305-71	100211-6931	210-7001	From 3/89. Available in Reman Only
1989	2J (HI-CAPACITY)	12	50	27070-23041-71	100211-6961	210-7019	Available in Reman Only
02-5FD14							
1989-1994	1DZ	12	40	27060-78305-71	100211-6931	210-7001	Available in Reman Only
1989-1994	1DZ (HI-CAPACITY)	12	50	27070-23041-71	100211-6961	210-7019	Available in Reman Only
1986-1989	2J	12	40	27060-78301-71	100211-4004	210-7003	To 3/89. Available in Reman Only
1989	2J	12	40	27060-78305-71	100211-6931	210-7001	From 3/89. Available in Reman Only
1989	2J (HI-CAPACITY)	12	50	27070-23041-71	100211-6961	210-7019	Available in Reman Only
02-5FD15							
1989-1994	1DZ	12	40	27060-78305-71	100211-6931	210-7001	Available in Reman Only
1989-1994	1DZ (HI-CAPACITY)	12	50	27070-23041-71	100211-6961	210-7019	Available in Reman Only
1986-1989	2J	12	40	27060-78301-71	100211-4004	210-7003	To 3/89. Available in Reman Only
1989	2J	12	40	27060-78305-71	100211-6931	210-7001	From 3/89. Available in Reman Only
1989	2J (HI-CAPACITY)	12	50	27070-23041-71	100211-6961	210-7019	Available in Reman Only
02-5FD18							
1989-1994	1DZ	12	40	27060-78305-71	100211-6931	210-7001	Available in Reman Only
1989-1994	1DZ (HI-CAPACITY)	12	50	27070-23041-71	100211-6961	210-7019	Available in Reman Only
1986-1989	2J	12	40	27060-78301-71	100211-4004	210-7003	To 3/89. Available in Reman Only
1989	2J	12	40	27060-78305-71	100211-6931	210-7001	From 3/89. Available in Reman Only
1989	2J (HI-CAPACITY)	12	50	27070-23041-71	100211-6961	210-7019	Available in Reman Only
02-5FD20							
1989-1994	1Z	12	40	27060-78305-71	100211-6931	210-7001	From 3/89. Available in Reman Only
1989-1994	1Z (HI-CAPACITY)	12	50	27070-23041-71	100211-6961	210-7019	Available in Reman Only



YEAR	ENGINE	VOLTS	AMPS	OEM PART NUMBER	NEW PART NUMBER	REMAN PART NUMBER	APPLICATION INFORMATION
TOYOTA (continued)							
02-5FD20 (continued)							
1986-1989	1Z	12	40	27060-78301-71	100211-4004	210-7003	To 3/89. Available in Reman Only
02-5FD23							
1989-1994	1Z	12	40	27060-78305-71	100211-6931	210-7001	From 3/89. Available in Reman Only
1989-1994	1Z (HI-CAPACITY)	12	50	27070-23041-71	100211-6961	210-7019	Available in Reman Only
1986-1989	1Z	12	40	27060-78301-71	100211-4004	210-7003	To 3/89. Available in Reman Only
02-5FD25							
1989-1994	1Z	12	40	27060-78305-71	100211-6931	210-7001	From 3/89. Available in Reman Only
1989-1994	1Z (HI-CAPACITY)	12	50	27070-23041-71	100211-6961	210-7019	Available in Reman Only
1986-1989	1Z	12	40	27060-78301-71	100211-4004	210-7003	To 3/89. Available in Reman Only
02-5FD28							
1989-1994	1Z	12	40	27060-78305-71	100211-6931	210-7001	From 3/89. Available in Reman Only
1989-1994	1Z (HI-CAPACITY)	12	50	27070-23041-71	100211-6961	210-7019	Available in Reman Only
1986-1989	1Z	12	40	27060-78301-71	100211-4004	210-7003	To 3/89. Available in Reman Only
02-5FD30							
1989-1994	1Z	12	40	27060-78305-71	100211-6931	210-7001	From 3/89. Available in Reman Only
1989-1994	1Z (HI-CAPACITY)	12	50	27070-23041-71	100211-6961	210-7019	Available in Reman Only
1986-1989	1Z	12	40	27060-78301-71	100211-4004	210-7003	To 3/89. Available in Reman Only
02-5FD33							
1989-1996	11Z	12	40	27060-78305-71	100211-6931	210-7001	From 3/89. Available in Reman Only
1989-1996	11Z (HI-CAPACITY)	12	50	27070-23041-71	100211-6961	210-7019	Available in Reman Only
1988-1989	11Z	12	40	27060-78301-71	100211-4004	210-7003	To 3/89. Available in Reman Only
02-5FD35							
1989-1996	11Z	12	40	27060-78305-71	100211-6931	210-7001	From 3/89. Available in Reman Only
1989-1996	11Z (HI-CAPACITY)	12	50	27070-23041-71	100211-6961	210-7019	Available in Reman Only
1988-1989	11Z	12	40	27060-78301-71	100211-4004	210-7003	To 3/89. Available in Reman Only
02-5FD38							
1989-1996	11Z	12	40	27060-78305-71	100211-6931	210-7001	From 3/89. Available in Reman Only
1989-1996	11Z (HI-CAPACITY)	12	50	27070-23041-71	100211-6961	210-7019	Available in Reman Only
1988-1989	11Z	12	40	27060-78301-71	100211-4004	210-7003	To 3/89. Available in Reman Only
02-5FD40							
1989-1996	11Z	12	40	27060-78305-71	100211-6931	210-7001	From 3/89. Available in Reman Only
1989-1996	11Z (HI-CAPACITY)	12	50	27070-23041-71	100211-6961	210-7019	Available in Reman Only
1988-1989	11Z	12	40	27060-78301-71	100211-4004	210-7003	To 3/89. Available in Reman Only
02-5FD45							
1989-1996	11Z	12	40	27060-78305-71	100211-6931	210-7001	From 3/89. Available in Reman Only
1989-1996	11Z (HI-CAPACITY)	12	50	27070-23041-71	100211-6961	210-7019	Available in Reman Only
1988-1989	11Z	12	40	27060-78301-71	100211-4004	210-7003	To 3/89. Available in Reman Only
02-5FDE35							
1989-1996	11Z	12	40	27060-78305-71	100211-6931	210-7001	From 3/89. Available in Reman Only
1989-1996	11Z (HI-CAPACITY)	12	50	27070-23041-71	100211-6961	210-7019	Available in Reman Only
1988-1989	11Z	12	40	27060-78301-71	100211-4004	210-7003	To 3/89. Available in Reman Only
02-5FDF15							
1989-1994	1DZ	12	40	27060-78305-71	100211-6931	210-7001	Available in Reman Only
1989-1994	1DZ (HI-CAPACITY)	12	50	27070-23041-71	100211-6961	210-7019	Available in Reman Only
1987-1989	2J	12	40	27060-78301-71	100211-4004	210-7003	To 6/89. Available in Reman Only



YEAR	ENGINE	VOLTS	AMPS	OEM PART NUMBER	NEW PART NUMBER	REMAN PART NUMBER	APPLICATION INFORMATION
TOYOTA (continued)							
02-5FDF15 (continued)							
1989	2J	12	40	27060-78305-71	100211-6931	210-7001	From 6/89. Available in Reman Only
1989	2J (HI-CAPACITY)	12	50	27070-23041-71	100211-6961	210-7019	Available in Reman Only
02-5FDF18							
1989-1994	1DZ	12	40	27060-78305-71	100211-6931	210-7001	Available in Reman Only
1989-1994	1DZ (HI-CAPACITY)	12	50	27070-23041-71	100211-6961	210-7019	Available in Reman Only
1987-1989	2J	12	40	27060-78301-71	100211-4004	210-7003	To 6/89. Available in Reman Only
1989	2J	12	40	27060-78305-71	100211-6931	210-7001	From 6/89. Available in Reman Only
1989	2J (HI-CAPACITY)	12	50	27070-23041-71	100211-6961	210-7019	Available in Reman Only
02-5FDF20							
1989-1994	1Z	12	40	27060-78305-71	100211-6931	210-7001	From 6/89. Available in Reman Only
1989-1994	1Z (HI-CAPACITY)	12	50	27070-23041-71	100211-6961	210-7019	Available in Reman Only
1987-1989	1Z	12	40	27060-78301-71	100211-4004	210-7003	To 6/89. Available in Reman Only
02-5FDF30							
1993-1994	1Z (HI-CAPACITY)	12	50	27070-23041-71	100211-6961	210-7019	Available in Reman Only
1991-1994	1Z	12	40	27060-78305-71	100211-6931	210-7001	Available in Reman Only
02-5FDU15							
1992-1995	1DZ	12	40	27060-78305-71	100211-6931	210-7001	Available in Reman Only
1992-1995	1DZ (HI-CAPACITY)	12	50	27070-23041-71	100211-6961	210-7019	Available in Reman Only
02-5FDU18							
1992-1995	1DZ	12	40	27060-78305-71	100211-6931	210-7001	Available in Reman Only
1992-1995	1DZ (HI-CAPACITY)	12	50	27070-23041-71	100211-6961	210-7019	Available in Reman Only
02-5FDU20							
1990-1995	1Z	12	40	27060-78305-71	100211-6931	210-7001	Available in Reman Only
02-5FDU25							
1990-1995	1Z	12	40	27060-78305-71	100211-6931	210-7001	Available in Reman Only
02-5FDU30							
1990-1995	1Z	12	40	27060-78305-71	100211-6931	210-7001	Available in Reman Only
02-5FDU35							
1996-1997	11Z	12	40	27060-78305-71	100211-6931	210-7001	Available in Reman Only
02-5FDU40							
1996-1997	11Z	12	40	27060-78305-71	100211-6931	210-7001	Available in Reman Only
02-5FDU45							
1996-1997	11Z	12	40	27060-78305-71	100211-6931	210-7001	Available in Reman Only
02-5FG10							
1989-Up	4P,4Y (HI-CAPACITY)	12	50	27070-23001-71	100211-6970	210-7018	Available in Reman Only
1989-1994	4Y, 5K	12	35	27060-78003-71	100211-4540	210-7000	Available in Reman Only
1989-1994	4Y,5K (HI-CAPACITY)	12	50	27070-23001-71	100211-6970	210-7018	Available in Reman Only
1986-1989	4P, 4Y	12	35	27060-78001-71	100211-1662	210-7002	To 3/89. Available in Reman Only
1989	4P, 4Y	12	35	27060-78003-71	100211-4540	210-7000	From 3/89. Available in Reman Only
02-5FG14							
1989-Up	4P,4Y (HI-CAPACITY)	12	50	27070-23001-71	100211-6970	210-7018	Available in Reman Only
1989-1994	4Y, 5K	12	35	27060-78003-71	100211-4540	210-7000	Available in Reman Only
1989-1994	4Y,5K (HI-CAPACITY)	12	50	27070-23001-71	100211-6970	210-7018	Available in Reman Only
1986-1989	4P, 4Y	12	35	27060-78001-71	100211-1662	210-7002	To 3/89. Available in Reman Only



YEAR	ENGINE	VOLTS	AMPS	OEM PART NUMBER	NEW PART NUMBER	REMAN PART NUMBER	APPLICATION INFORMATION
TOYOTA (continued)							
02-5FG14 (continued)							
1989	4P, 4Y	12	35	27060-78003-71	100211-4540	210-7000	From 3/89. Available in Reman Only
02-5FG15							
1989-Up	4P,4Y (HI-CAPACITY)	12	50	27070-23001-71	100211-6970	210-7018	Available in Reman Only
1989-1994	4Y, 5K	12	35	27060-78003-71	100211-4540	210-7000	Available in Reman Only
1989-1994	4Y,5K (HI-CAPACITY)	12	50	27070-23001-71	100211-6970	210-7018	Available in Reman Only
1986-1989	4P, 4Y	12	35	27060-78001-71	100211-1662	210-7002	To 3/89. Available in Reman Only
1989	4P, 4Y	12	35	27060-78003-71	100211-4540	210-7000	From 3/89. Available in Reman Only
02-5FG18							
1989-Up	4P,4Y (HI-CAPACITY)	12	50	27070-23001-71	100211-6970	210-7018	Available in Reman Only
1989-1994	4Y, 5K	12	35	27060-78003-71	100211-4540	210-7000	Available in Reman Only
1989-1994	4Y,5K (HI-CAPACITY)	12	50	27070-23001-71	100211-6970	210-7018	Available in Reman Only
1986-1989	4P, 4Y	12	35	27060-78001-71	100211-1662	210-7002	To 3/89. Available in Reman Only
1989	4P, 4Y	12	35	27060-78003-71	100211-4540	210-7000	From 3/89. Available in Reman Only
02-5FG20							
1989-Up	4P,4Y (HI-CAPACITY)	12	50	27070-23001-71	100211-6970	210-7018	Available in Reman Only
1989-1994	4Y, 5K	12	35	27060-78003-71	100211-4540	210-7000	Available in Reman Only
1989-1994	4Y,5K (HI-CAPACITY)	12	50	27070-23001-71	100211-6970	210-7018	Available in Reman Only
1986-1989	4P, 4Y	12	35	27060-78001-71	100211-1662	210-7002	To 3/89. Available in Reman Only
1989	4P, 4Y	12	35	27060-78003-71	100211-4540	210-7000	From 3/89. Available in Reman Only
02-5FG23							
1989-Up	4P,4Y (HI-CAPACITY)	12	50	27070-23001-71	100211-6970	210-7018	Available in Reman Only
1989-1994	4Y, 5K	12	35	27060-78003-71	100211-4540	210-7000	Available in Reman Only
1989-1994	4Y,5K (HI-CAPACITY)	12	50	27070-23001-71	100211-6970	210-7018	Available in Reman Only
1986-1989	4P, 4Y	12	35	27060-78001-71	100211-1662	210-7002	To 3/89. Available in Reman Only
1989	4P, 4Y	12	35	27060-78003-71	100211-4540	210-7000	From 3/89. Available in Reman Only
02-5FG25							
1989-Up	4P,4Y (HI-CAPACITY)	12	50	27070-23001-71	100211-6970	210-7018	Available in Reman Only
1989-1994	4Y, 5K	12	35	27060-78003-71	100211-4540	210-7000	Available in Reman Only
1989-1994	4Y,5K (HI-CAPACITY)	12	50	27070-23001-71	100211-6970	210-7018	Available in Reman Only
1986-1989	4P, 4Y	12	35	27060-78001-71	100211-1662	210-7002	To 3/89. Available in Reman Only
1989	4P, 4Y	12	35	27060-78003-71	100211-4540	210-7000	From 3/89. Available in Reman Only
02-5FG28							
1989-1994	4Y	12	35	27060-78003-71	100211-4540	210-7000	From 3/89. Available in Reman Only
1989-1994	4Y (HI-CAPACITY)	12	50	27070-23001-71	100211-6970	210-7018	Available in Reman Only
1986-1989	4Y	12	35	27060-78001-71	100211-1662	210-7002	To 3/89. Available in Reman Only
02-5FG30							
1989-1994	4Y	12	35	27060-78003-71	100211-4540	210-7000	From 3/89. Available in Reman Only
1989-1994	4Y (HI-CAPACITY)	12	50	27070-23001-71	100211-6970	210-7018	Available in Reman Only
1986-1989	4Y	12	35	27060-78001-71	100211-1662	210-7002	To 3/89. Available in Reman Only
02-5FG33							
1994-1996	1FZ	12	50	27060-66050	101211-3080	210-7006	Available in Reman Only
1989-1994	3F	12	40	27060-78305-71	100211-6931	210-7001	From 3/89. Available in Reman Only
1989-1994	3F (HI-CAPACITY)	12	50	27070-23041-71	100211-6961	210-7019	Available in Reman Only
1988-1989	3F	12	40	27060-78301-71	100211-4004	210-7003	To 3/89. Available in Reman Only
02-5FG35							
1994-1996	1FZ	12	50	27060-66050	101211-3080	210-7006	Available in Reman Only



YEAR	ENGINE	VOLTS	AMPS	OEM PART NUMBER	NEW PART NUMBER	REMAN PART NUMBER	APPLICATION INFORMATION
TOYOTA (continued)							
02-5FG35 (continued)							
1989-1994	3F	12	40	27060-78305-71	100211-6931	210-7001	From 3/89. Available in Reman Only
1989-1994	3F (HI-CAPACITY)	12	50	27070-23041-71	100211-6961	210-7019	Available in Reman Only
1988-1989	3F	12	40	27060-78301-71	100211-4004	210-7003	To 3/89. Available in Reman Only
02-5FG40							
1994-1996	1FZ	12	50	27060-66050	101211-3080	210-7006	Available in Reman Only
1989-1994	3F	12	40	27060-78305-71	100211-6931	210-7001	From 3/89. Available in Reman Only
1989-1994	3F (HI-CAPACITY)	12	50	27070-23041-71	100211-6961	210-7019	Available in Reman Only
1988-1989	3F	12	40	27060-78301-71	100211-4004	210-7003	To 3/89. Available in Reman Only
02-5FG45							
1994-1996	1FZ	12	50	27060-66050	101211-3080	210-7006	Available in Reman Only
1989-1994	3F	12	40	27060-78305-71	100211-6931	210-7001	From 3/89. Available in Reman Only
1989-1994	3F (HI-CAPACITY)	12	50	27070-23041-71	100211-6961	210-7019	Available in Reman Only
1988-1989	3F	12	40	27060-78301-71	100211-4004	210-7003	To 3/89. Available in Reman Only
02-5FGE35							
1994-1996	1FZ	12	50	27060-66050	101211-3080	210-7006	Available in Reman Only
1989-1994	3F	12	40	27060-78305-71	100211-6931	210-7001	From 3/89. Available in Reman Only
1989-1994	3F (HI-CAPACITY)	12	50	27070-23041-71	100211-6961	210-7019	Available in Reman Only
1988-1989	3F	12	40	27060-78301-71	100211-4004	210-7003	To 3/89. Available in Reman Only
02-5FGF15							
1987-1989	4P	12	35	27060-78001-71	100211-1662	210-7002	Available in Reman Only
02-5FGF18							
1987-1989	4P	12	35	27060-78001-71	100211-1662	210-7002	Available in Reman Only
02-5FGF20							
1987-1989	4P, 4Y	12	35	27060-78001-71	100211-1662	210-7002	Available in Reman Only
02-5FGF30							
1993-1994	4Y (HI-CAPACITY)	12	50	27070-23001-71	100211-6970	210-7018	Available in Reman Only
1991-1994	4Y	12	35	27060-78003-71	100211-4540	210-7000	Available in Reman Only
02-5FGU30							
1990-1995	4Y	12	35	27060-78003-71	100211-4540	210-7000	Available in Reman Only
1990-1995	4Y (HI-CAPACITY)	12	50	27070-23001-71	100211-6970	210-7018	Available in Reman Only
02-5FGU35							
1996-1997	1FZ	12	50	27060-66050	101211-3080	210-7006	Available in Reman Only
02-5FGU40							
1996-1997	1FZ	12	50	27060-66050	101211-3080	210-7006	Available in Reman Only
02-5FGU45							
1996-1997	1FZ	12	50	27060-66050	101211-3080	210-7006	Available in Reman Only
02-6FD10							
1994-1998	1DZ	12	40	27060-78305-71	100211-6931	210-7001	Available in Reman Only
1994-1998	1DZ	12	50	27070-23041-71	100211-6961	210-7019	Available in Reman Only
1994-1998	1DZ (HI-CAPACITY)	12	50	27070-23041-71	100211-6961	210-7019	Available in Reman Only
02-6FD14							
1994-1998	1DZ	12	40	27060-78305-71	100211-6931	210-7001	Available in Reman Only
1994-1998	1DZ	12	50	27070-23041-71	100211-6961	210-7019	Available in Reman Only
1994-1998	1DZ (HI-CAPACITY)	12	50	27070-23041-71	100211-6961	210-7019	Available in Reman Only



YEAR	ENGINE	VOLTS	AMPS	OEM PART NUMBER	NEW PART NUMBER	REMAN PART NUMBER	APPLICATION INFORMATION
TOYOTA (continued)							
02-6FD15							
1994-1998	1DZ	12	40	27060-78305-71	100211-6931	210-7001	Available in Reman Only
1994-1998	1DZ	12	50	27070-23041-71	100211-6961	210-7019	Available in Reman Only
1994-1998	1DZ (HI-CAPACITY)	12	50	27070-23041-71	100211-6961	210-7019	Available in Reman Only
02-6FD18							
1994-1998	1DZ	12	40	27060-78305-71	100211-6931	210-7001	Available in Reman Only
1994-1998	1DZ	12	50	27070-23041-71	100211-6961	210-7019	Available in Reman Only
1994-1998	1DZ (HI-CAPACITY)	12	50	27070-23041-71	100211-6961	210-7019	Available in Reman Only
02-6FD20							
1993-1998	2Z	12	40	27060-78305-71	100211-6931	210-7001	Available in Reman Only
1993-1998	2Z (HI-CAPACITY)	12	50	27070-23041-71	100211-6961	210-7019	Available in Reman Only
02-6FD23							
1993-1998	2Z	12	40	27060-78305-71	100211-6931	210-7001	Available in Reman Only
1993-1998	2Z (HI-CAPACITY)	12	50	27070-23041-71	100211-6961	210-7019	Available in Reman Only
02-6FD25							
1993-1998	2Z	12	40	27060-78305-71	100211-6931	210-7001	Available in Reman Only
1993-1998	2Z (HI-CAPACITY)	12	50	27070-23041-71	100211-6961	210-7019	Available in Reman Only
02-6FD28							
1994-1998	2Z	12	40	27060-78305-71	100211-6931	210-7001	Available in Reman Only
1994-1998	2Z (HI-CAPACITY)	12	50	27070-23041-71	100211-6961	210-7019	Available in Reman Only
02-6FD30							
1994-1998	2Z	12	40	27060-78305-71	100211-6931	210-7001	Available in Reman Only
1994-1998	2Z (HI-CAPACITY)	12	50	27070-23041-71	100211-6961	210-7019	Available in Reman Only
02-6FD33							
1996-1999	13Z	12	40	27060-78305-71	100211-6931	210-7001	Available in Reman Only
1996-1999	13Z (HI-CAPACITY)	12	50	27070-23041-71	100211-6961	210-7019	Available in Reman Only
02-6FD35							
1996-1999	13Z	12	40	27060-78305-71	100211-6931	210-7001	Available in Reman Only
1996-1999	13Z (HI-CAPACITY)	12	50	27070-23041-71	100211-6961	210-7019	Available in Reman Only
02-6FD40							
1996-1999	13Z	12	40	27060-78305-71	100211-6931	210-7001	Available in Reman Only
1996-1999	13Z (HI-CAPACITY)	12	50	27070-23041-71	100211-6961	210-7019	Available in Reman Only
02-6FD45							
1996-1999	13Z	12	40	27060-78305-71	100211-6931	210-7001	Available in Reman Only
1996-1999	13Z (HI-CAPACITY)	12	50	27070-23041-71	100211-6961	210-7019	Available in Reman Only
02-6FDA15							
1994-1999	1DZ	12	40	27060-78305-71	100211-6931	210-7001	Available in Reman Only
02-6FDA18							
1994-1999	1DZ	12	40	27060-78305-71	100211-6931	210-7001	Available in Reman Only
02-6FDA20							
1994-1999	1DZ, 2Z	12	40	27060-78305-71	100211-6931	210-7001	Available in Reman Only
02-6FDA25							
1994-1999	1DZ, 2Z	12	40	27060-78305-71	100211-6931	210-7001	Available in Reman Only
02-6FDA30							
1994-1999	1DZ, 2Z	12	40	27060-78305-71	100211-6931	210-7001	Available in Reman Only



YEAR	ENGINE	VOLTS	AMPS	OEM PART NUMBER	NEW PART NUMBER	REMAN PART NUMBER	APPLICATION INFORMATION
TOYOTA (continued)							
02-6FDA50							
1996-1999	13Z	12	40	27060-78305-71	100211-6931	210-7001	Available in Reman Only
1996-1999	13Z (HI-CAPACITY)	12	50	27070-23041-71	100211-6961	210-7019	Available in Reman Only
02-6FDAU50							
1997-2000	13Z	12	40	27060-78305-71	100211-6931	210-7001	Available in Reman Only
1997-2000	13Z (HI-CAPACITY)	12	50	27070-23041-71	100211-6961	210-7019	Available in Reman Only
02-6FDE35							
1996-1999	13Z	12	40	27060-78305-71	100211-6931	210-7001	Available in Reman Only
1996-1999	13Z (HI-CAPACITY)	12	50	27070-23041-71	100211-6961	210-7019	Available in Reman Only
02-6FDF15							
1994-1999	1DZ	12	40	27060-78305-71	100211-6931	210-7001	Available in Reman Only
1994-1999	1DZ (HI-CAPACITY)	12	50	27070-23041-71	100211-6961	210-7019	Available in Reman Only
02-6FDF18							
1994-1999	1DZ	12	40	27060-78305-71	100211-6931	210-7001	Available in Reman Only
1994-1999	1DZ (HI-CAPACITY)	12	50	27070-23041-71	100211-6961	210-7019	Available in Reman Only
02-6FDF20							
1994-1999	1DZ, 2Z	12	40	27060-78305-71	100211-6931	210-7001	Available in Reman Only
1994-1999	1DZ, 2Z (HI-CAPACITY)	12	50	27070-23041-71	100211-6961	210-7019	Available in Reman Only
02-6FDF25							
1994-1999	1DZ, 2Z	12	40	27060-78305-71	100211-6931	210-7001	Available in Reman Only
1994-1999	1DZ, 2Z (HI-CAPACITY)	12	50	27070-23041-71	100211-6961	210-7019	Available in Reman Only
02-6FDF30							
1994-1999	1DZ, 2Z	12	40	27060-78305-71	100211-6931	210-7001	Available in Reman Only
1994-1999	1DZ, 2Z (HI-CAPACITY)	12	50	27070-23041-71	100211-6961	210-7019	Available in Reman Only
02-6FDN35							
1996-1997	13Z	12	40	27060-78305-71	100211-6931	210-7001	Available in Reman Only
02-6FDU15							
1995-1999	1DZ	12	40	27060-78305-71	100211-6931	210-7001	Available in Reman Only
1995-1999	1DZ (HI-CAPACITY)	12	50	27070-23041-71	100211-6961	210-7019	Available in Reman Only
02-6FDU18							
1995-1999	1DZ	12	40	27060-78305-71	100211-6931	210-7001	Available in Reman Only
1995-1999	1DZ (HI-CAPACITY)	12	50	27070-23041-71	100211-6961	210-7019	Available in Reman Only
02-6FDU33							
1997-2000	13Z	12	40	27060-78305-71	100211-6931	210-7001	Available in Reman Only
1997-2000	13Z (HI-CAPACITY)	12	50	27070-23041-71	100211-6961	210-7019	Available in Reman Only
02-6FDU35							
1997-2000	13Z	12	40	27060-78305-71	100211-6931	210-7001	Available in Reman Only
1997-2000	13Z (HI-CAPACITY)	12	50	27070-23041-71	100211-6961	210-7019	Available in Reman Only
02-6FDU40							
1997-2000	13Z	12	40	27060-78305-71	100211-6931	210-7001	Available in Reman Only
1997-2000	13Z (HI-CAPACITY)	12	50	27070-23041-71	100211-6961	210-7019	Available in Reman Only
02-6FDU45							
1997-2000	13Z	12	40	27060-78305-71	100211-6931	210-7001	Available in Reman Only
1997-2000	13Z (HI-CAPACITY)	12	50	27070-23041-71	100211-6961	210-7019	Available in Reman Only



YEAR	ENGINE	VOLTS	AMPS	OEM PART NUMBER	NEW PART NUMBER	REMAN PART NUMBER	APPLICATION INFORMATION
TOYOTA (continued)							
02-6FG10							
1994-1996	4Y, 5K	12	35	27060-78003-71	100211-4540	210-7000	Available in Reman Only
1994-1996	4Y,5K (HI-CAPACITY)	12	50	27070-23001-71	100211-6970	210-7018	Available in Reman Only
02-6FG14							
1994-1996	4Y, 5K	12	35	27060-78003-71	100211-4540	210-7000	Available in Reman Only
1994-1996	4Y,5K (HI-CAPACITY)	12	50	27070-23001-71	100211-6970	210-7018	Available in Reman Only
02-6FG15							
1994-1996	4Y, 5K	12	35	27060-78003-71	100211-4540	210-7000	Available in Reman Only
1994-1996	4Y,5K (HI-CAPACITY)	12	50	27070-23001-71	100211-6970	210-7018	Available in Reman Only
02-6FG18							
1994-1996	4Y, 5K	12	35	27060-78003-71	100211-4540	210-7000	Available in Reman Only
1994-1996	4Y,5K (HI-CAPACITY)	12	50	27070-23001-71	100211-6970	210-7018	Available in Reman Only
02-6FG20							
1993-1996	4Y, 5K	12	35	27060-78003-71	100211-4540	210-7000	Available in Reman Only
1993-1996	4Y,5K (HI-CAPACITY)	12	50	27070-23001-71	100211-6970	210-7018	Available in Reman Only
02-6FG23							
1993-1996	4Y, 5K	12	35	27060-78003-71	100211-4540	210-7000	Available in Reman Only
1993-1996	4Y,5K (HI-CAPACITY)	12	50	27070-23001-71	100211-6970	210-7018	Available in Reman Only
02-6FG25							
1993-1996	4Y, 5K	12	35	27060-78003-71	100211-4540	210-7000	Available in Reman Only
1993-1996	4Y,5K (HI-CAPACITY)	12	50	27070-23001-71	100211-6970	210-7018	Available in Reman Only
02-6FG28							
1994-1996	4Y	12	35	27060-78003-71	100211-4540	210-7000	Available in Reman Only
1994-1996	4Y (HI-CAPACITY)	12	50	27070-23001-71	100211-6970	210-7018	Available in Reman Only
02-6FG30							
1994-1996	4Y	12	35	27060-78003-71	100211-4540	210-7000	Available in Reman Only
1994-1996	4Y (HI-CAPACITY)	12	50	27070-23001-71	100211-6970	210-7018	Available in Reman Only
02-6FGA15							
1994-1996	5K	12	35	27060-78003-71	100211-4540	210-7000	Available in Reman Only
02-6FGA18							
1994-1996	5K	12	35	27060-78003-71	100211-4540	210-7000	Available in Reman Only
02-6FGA30							
1994-1996	4Y	12	35	27060-78003-71	100211-4540	210-7000	Available in Reman Only
02-6FGF30							
1994-1999	4Y	12	35	27060-78003-71	100211-4540	210-7000	Available in Reman Only
1994-1998	4Y (HI-CAPACITY)	12	50	27070-23001-71	100211-6970	210-7018	Available in Reman Only
02-6FGU30							
1995-1999	4Y, GM4181	12	35	27060-78003-71	100211-4540	210-7000	Available in Reman Only
1995-1998	4Y,GM4181 (HI-CAPACITY)	12	50	27070-23001-71	100211-6970	210-7018	Available in Reman Only
02-7FD10							
1999-2000	1DZ	12	50	27060-78201-71	101211-3680	210-7023	Available in Reman Only
1999-2000	1DZ	12	60	27060-78700-71	102211-5850	210-7024	Available in Reman Only
1998-1999	1DZ	12	60	27060-78700-71	102211-5850	210-7024	Available in Reman Only
2003-Up	1DZ	12	50	27060-78203-71	101211-3680	210-7023	Available in Reman Only
2003-Up	1DZ (DPF)	12	60	27060-78701-71	102211-5850	210-7024	Available in Reman Only

ALTERNATOR APPLICATIONS



YEAR	ENGINE	VOLTS	AMPS	OEM PART NUMBER	NEW PART NUMBER	REMAN PART NUMBER	APPLICATION INFORMATION
TOYOTA (continued)							
02-7FD10 (continued)							
2003-Up	1DZ (HEATER)	12	60	27060-78701-71	102211-5850	210-7024	Available in Reman Only
2003-Up	1DZ (HI-CAPACITY)	12	60	27060-78701-71	102211-5850	210-7024	Available in Reman Only
2003-Up	1DZ (IN-LINE PUMP)	12	60	27060-78701-71	102211-5850	210-7024	Available in Reman Only
2001-2003	1DZ (DPF)	12	60	27060-78700-71	102211-5850	210-7024	Available in Reman Only
2001-2003	1DZ (HEATER)	12	60	27060-78700-71	102211-5850	210-7024	Available in Reman Only
2001-2003	1DZ (HI-CAPACITY)	12	60	27060-78700-71	102211-5850	210-7024	Available in Reman Only
2001-2003	1DZ (IN-LINE PUMP)	12	60	27060-78700-71	102211-5850	210-7024	Available in Reman Only
02-7FD14							
1999-2000	1DZ	12	50	27060-78201-71	101211-3680	210-7023	Available in Reman Only
1999-2000	1DZ	12	60	27060-78700-71	102211-5850	210-7024	Available in Reman Only
1998-1999	1DZ	12	60	27060-78700-71	102211-5850	210-7024	Available in Reman Only
2003-Up	1DZ	12	50	27060-78203-71	101211-3680	210-7023	Available in Reman Only
2003-Up	1DZ (DPF)	12	60	27060-78701-71	102211-5850	210-7024	Available in Reman Only
2003-Up	1DZ (HEATER)	12	60	27060-78701-71	102211-5850	210-7024	Available in Reman Only
2003-Up	1DZ (HI-CAPACITY)	12	60	27060-78701-71	102211-5850	210-7024	Available in Reman Only
2003-Up	1DZ (IN-LINE PUMP)	12	60	27060-78701-71	102211-5850	210-7024	Available in Reman Only
2001-2003	1DZ (DPF)	12	60	27060-78700-71	102211-5850	210-7024	Available in Reman Only
2001-2003	1DZ (HEATER)	12	60	27060-78700-71	102211-5850	210-7024	Available in Reman Only
2001-2003	1DZ (HI-CAPACITY)	12	60	27060-78700-71	102211-5850	210-7024	Available in Reman Only
2001-2003	1DZ (IN-LINE PUMP)	12	60	27060-78700-71	102211-5850	210-7024	Available in Reman Only
02-7FD15							
1999-2000	1DZ	12	50	27060-78201-71	101211-3680	210-7023	Available in Reman Only
1999-2000	1DZ	12	60	27060-78700-71	102211-5850	210-7024	Available in Reman Only
1998-1999	1DZ	12	60	27060-78700-71	102211-5850	210-7024	Available in Reman Only
2003-Up	1DZ	12	50	27060-78203-71	101211-3680	210-7023	Available in Reman Only
2003-Up	1DZ (DPF)	12	60	27060-78701-71	102211-5850	210-7024	Available in Reman Only
2003-Up	1DZ (HEATER)	12	60	27060-78701-71	102211-5850	210-7024	Available in Reman Only
2003-Up	1DZ (HI-CAPACITY)	12	60	27060-78701-71	102211-5850	210-7024	Available in Reman Only
2003-Up	1DZ (IN-LINE PUMP)	12	60	27060-78701-71	102211-5850	210-7024	Available in Reman Only
2001-2003	1DZ (DPF)	12	60	27060-78700-71	102211-5850	210-7024	Available in Reman Only
2001-2003	1DZ (HEATER)	12	60	27060-78700-71	102211-5850	210-7024	Available in Reman Only
2001-2003	1DZ (HI-CAPACITY)	12	60	27060-78700-71	102211-5850	210-7024	Available in Reman Only
2001-2003	1DZ (IN-LINE PUMP)	12	60	27060-78700-71	102211-5850	210-7024	Available in Reman Only
02-7FD18							
1999-2000	1DZ	12	50	27060-78201-71	101211-3680	210-7023	Available in Reman Only
1999-2000	1DZ	12	60	27060-78700-71	102211-5850	210-7024	Available in Reman Only
1998-1999	1DZ	12	60	27060-78700-71	102211-5850	210-7024	Available in Reman Only
2003-Up	1DZ	12	50	27060-78203-71	101211-3680	210-7023	Available in Reman Only
2003-Up	1DZ (DPF)	12	60	27060-78701-71	102211-5850	210-7024	Available in Reman Only
2003-Up	1DZ (HEATER)	12	60	27060-78701-71	102211-5850	210-7024	Available in Reman Only
2003-Up	1DZ (HI-CAPACITY)	12	60	27060-78701-71	102211-5850	210-7024	Available in Reman Only
2003-Up	1DZ (IN-LINE PUMP)	12	60	27060-78701-71	102211-5850	210-7024	Available in Reman Only
2001-2003	1DZ (DPF)	12	60	27060-78700-71	102211-5850	210-7024	Available in Reman Only
2001-2003	1DZ (HEATER)	12	60	27060-78700-71	102211-5850	210-7024	Available in Reman Only
2001-2003	1DZ (HI-CAPACITY)	12	60	27060-78700-71	102211-5850	210-7024	Available in Reman Only
2001-2003	1DZ (IN-LINE PUMP)	12	60	27060-78700-71	102211-5850	210-7024	Available in Reman Only



YEAR	ENGINE	VOLTS	AMPS	OEM PART NUMBER	NEW PART NUMBER	REMAN PART NUMBER	APPLICATION INFORMATION
TOYOTA (continued)							
02-7FD20							
1999-2003	2Z (DPF)	12	60	27060-78700-71	102211-5850	210-7024	Available in Reman Only
1999-2000	2Z	12	50	27060-78201-71	101211-3680	210-7023	Available in Reman Only
1998-1999	2Z	12	60	27060-78700-71	102211-5850	210-7024	Available in Reman Only
2003-Up	2Z	12	50	27060-78203-71	101211-3680	210-7023	Available in Reman Only
2003-Up	2Z (ARCTIC)	12	60	27060-78701-71	102211-5850	210-7024	Available in Reman Only
2003-Up	2Z (DPF)	12	60	27060-78701-71	102211-5850	210-7024	Available in Reman Only
2003-Up	2Z (HEATER)	12	60	27060-78701-71	102211-5850	210-7024	Available in Reman Only
2003-Up	2Z (HI-CAPACITY)	12	60	27060-78701-71	102211-5850	210-7024	Available in Reman Only
2001-2003	2Z (ARCTIC)	12	60	27060-78700-71	102211-5850	210-7024	Available in Reman Only
2001-2003	2Z (HEATER)	12	60	27060-78700-71	102211-5850	210-7024	Available in Reman Only
2001-2003	2Z (HI-CAPACITY)	12	60	27060-78700-71	102211-5850	210-7024	Available in Reman Only
02-7FD25							
1999-2003	2Z (DPF)	12	60	27060-78700-71	102211-5850	210-7024	Available in Reman Only
1999-2000	2Z	12	50	27060-78201-71	101211-3680	210-7023	Available in Reman Only
1998-1999	2Z	12	60	27060-78700-71	102211-5850	210-7024	Available in Reman Only
2003-Up	2Z	12	50	27060-78203-71	101211-3680	210-7023	Available in Reman Only
2003-Up	2Z (ARCTIC)	12	60	27060-78701-71	102211-5850	210-7024	Available in Reman Only
2003-Up	2Z (DPF)	12	60	27060-78701-71	102211-5850	210-7024	Available in Reman Only
2003-Up	2Z (HEATER)	12	60	27060-78701-71	102211-5850	210-7024	Available in Reman Only
2003-Up	2Z (HI-CAPACITY)	12	60	27060-78701-71	102211-5850	210-7024	Available in Reman Only
2001-2003	2Z (ARCTIC)	12	60	27060-78700-71	102211-5850	210-7024	Available in Reman Only
2001-2003	2Z (HEATER)	12	60	27060-78700-71	102211-5850	210-7024	Available in Reman Only
2001-2003	2Z (HI-CAPACITY)	12	60	27060-78700-71	102211-5850	210-7024	Available in Reman Only
02-7FD30							
1999-2003	2Z (DPF)	12	60	27060-78700-71	102211-5850	210-7024	Available in Reman Only
1999-2000	2Z	12	50	27060-78201-71	101211-3680	210-7023	Available in Reman Only
1998-1999	2Z	12	60	27060-78700-71	102211-5850	210-7024	Available in Reman Only
2003-Up	2Z	12	50	27060-78203-71	101211-3680	210-7023	Available in Reman Only
2003-Up	2Z (ARCTIC)	12	60	27060-78701-71	102211-5850	210-7024	Available in Reman Only
2003-Up	2Z (DPF)	12	60	27060-78701-71	102211-5850	210-7024	Available in Reman Only
2003-Up	2Z (HEATER)	12	60	27060-78701-71	102211-5850	210-7024	Available in Reman Only
2003-Up	2Z (HI-CAPACITY)	12	60	27060-78701-71	102211-5850	210-7024	Available in Reman Only
2001-2003	2Z (ARCTIC)	12	60	27060-78700-71	102211-5850	210-7024	Available in Reman Only
2001-2003	2Z (HEATER)	12	60	27060-78700-71	102211-5850	210-7024	Available in Reman Only
2001-2003	2Z (HI-CAPACITY)	12	60	27060-78700-71	102211-5850	210-7024	Available in Reman Only
02-7FD35							
1998-2001	13Z	12	60	27060-78700-71	102211-5850	210-7024	Available in Reman Only
2003-Up	13Z	12	50	27060-78203-71	101211-3680	210-7023	Available in Reman Only
2003-Up	13Z (HI-CAPACITY)	12	60	27060-78701-71	102211-5850	210-7024	Available in Reman Only
2001-2003	13Z	12	50	27060-78201-71	101211-3680	210-7023	Available in Reman Only
2001-2003	13Z (HI-CAPACITY)	12	60	27060-78700-71	102211-5850	210-7024	Available in Reman Only
02-7FD40							
1998-2001	13Z	12	60	27060-78700-71	102211-5850	210-7024	Available in Reman Only
2003-Up	13Z	12	50	27060-78203-71	101211-3680	210-7023	Available in Reman Only
2003-Up	13Z (HI-CAPACITY)	12	60	27060-78701-71	102211-5850	210-7024	Available in Reman Only
2001-2003	13Z	12	50	27060-78201-71	101211-3680	210-7023	Available in Reman Only
2001-2003	13Z (HI-CAPACITY)	12	60	27060-78700-71	102211-5850	210-7024	Available in Reman Only

ALTERNATOR APPLICATIONS



YEAR	ENGINE	VOLTS	AMPS	OEM PART NUMBER	NEW PART NUMBER	REMAN PART NUMBER	APPLICATION INFORMATION
TOYOTA (continued)							
02-7FD45							
1998-2001	13Z	12	60	27060-78700-71	102211-5850	210-7024	Available in Reman Only
2003-Up	13Z	12	50	27060-78203-71	101211-3680	210-7023	Available in Reman Only
2003-Up	13Z (HI-CAPACITY)	12	60	27060-78701-71	102211-5850	210-7024	Available in Reman Only
2001-2003	13Z	12	50	27060-78201-71	101211-3680	210-7023	Available in Reman Only
2001-2003	13Z (HI-CAPACITY)	12	60	27060-78700-71	102211-5850	210-7024	Available in Reman Only
02-7FDA50							
1998-2001	13Z	12	60	27060-78700-71	102211-5850	210-7024	Available in Reman Only
2003-Up	13Z	12	50	27060-78203-71	101211-3680	210-7023	Available in Reman Only
2003-Up	13Z (HI-CAPACITY)	12	60	27060-78701-71	102211-5850	210-7024	Available in Reman Only
2001-2003	13Z	12	50	27060-78201-71	101211-3680	210-7023	Available in Reman Only
2001-2003	13Z (HI-CAPACITY)	12	60	27060-78700-71	102211-5850	210-7024	Available in Reman Only
02-7FDF15							
1999-2002	1DZ,2Z	12	60	27060-78700-71	102211-5850	210-7024	Available in Reman Only
2002	1DZ,2Z (HI-CAPACITY)	12	60	27060-78700-71	102211-5850	210-7024	Available in Reman Only
02-7FDF18							
1999-2002	1DZ,2Z	12	60	27060-78700-71	102211-5850	210-7024	Available in Reman Only
2002	1DZ,2Z (HI-CAPACITY)	12	60	27060-78700-71	102211-5850	210-7024	Available in Reman Only
02-7FDF20							
1999-2002	1DZ,2Z	12	60	27060-78700-71	102211-5850	210-7024	Available in Reman Only
2002	1DZ,2Z (HI-CAPACITY)	12	60	27060-78700-71	102211-5850	210-7024	Available in Reman Only
02-7FDF25							
1999-2002	1DZ,2Z	12	60	27060-78700-71	102211-5850	210-7024	Available in Reman Only
2002	1DZ,2Z (HI-CAPACITY)	12	60	27060-78700-71	102211-5850	210-7024	Available in Reman Only
02-7FDF30							
1999-2002	1DZ,2Z	12	60	27060-78700-71	102211-5850	210-7024	Available in Reman Only
2002	1DZ,2Z (HI-CAPACITY)	12	60	27060-78700-71	102211-5850	210-7024	Available in Reman Only
02-7FDJ35							
1999-2003	2Z (DPF)	12	60	27060-78700-71	102211-5850	210-7024	Available in Reman Only
1999-2000	2Z	12	50	27060-78201-71	101211-3680	210-7023	Available in Reman Only
1998-1999	2Z	12	60	27060-78700-71	102211-5850	210-7024	Available in Reman Only
2003-Up	2Z	12	50	27060-78203-71	101211-3680	210-7023	Available in Reman Only
2003-Up	2Z (ARCTIC)	12	60	27060-78701-71	102211-5850	210-7024	Available in Reman Only
2003-Up	2Z (DPF)	12	60	27060-78701-71	102211-5850	210-7024	Available in Reman Only
2003-Up	2Z (HEATER)	12	60	27060-78701-71	102211-5850	210-7024	Available in Reman Only
2003-Up	2Z (HI-CAPACITY)	12	60	27060-78701-71	102211-5850	210-7024	Available in Reman Only
2001-2003	2Z (ARCTIC)	12	60	27060-78700-71	102211-5850	210-7024	Available in Reman Only
2001-2003	2Z (HEATER)	12	60	27060-78700-71	102211-5850	210-7024	Available in Reman Only
2001-2003	2Z (HI-CAPACITY)	12	60	27060-78700-71	102211-5850	210-7024	Available in Reman Only
02-7FDJF35							
1999-2002	1DZ,2Z	12	60	27060-78700-71	102211-5850	210-7024	Available in Reman Only
2002	1DZ,2Z (HI-CAPACITY)	12	60	27060-78700-71	102211-5850	210-7024	Available in Reman Only
02-7FDK20							
1999-2000	1DZ	12	50	27060-78201-71	101211-3680	210-7023	Available in Reman Only
1999-2000	1DZ	12	60	27060-78700-71	102211-5850	210-7024	Available in Reman Only
1998-1999	1DZ	12	60	27060-78700-71	102211-5850	210-7024	Available in Reman Only
2003-Up	1DZ	12	50	27060-78203-71	101211-3680	210-7023	Available in Reman Only



YEAR	ENGINE	VOLTS	AMPS	OEM PART NUMBER	NEW PART NUMBER	REMAN PART NUMBER	APPLICATION INFORMATION
TOYOTA (continued)							
02-7FDK20 (continued)							
2003-Up	1DZ (DPF)	12	60	27060-78701-71	102211-5850	210-7024	Available in Reman Only
2003-Up	1DZ (HEATER)	12	60	27060-78701-71	102211-5850	210-7024	Available in Reman Only
2003-Up	1DZ (HI-CAPACITY)	12	60	27060-78701-71	102211-5850	210-7024	Available in Reman Only
2003-Up	1DZ (IN-LINE PUMP)	12	60	27060-78701-71	102211-5850	210-7024	Available in Reman Only
2001-2003	1DZ (DPF)	12	60	27060-78700-71	102211-5850	210-7024	Available in Reman Only
2001-2003	1DZ (HEATER)	12	60	27060-78700-71	102211-5850	210-7024	Available in Reman Only
2001-2003	1DZ (HI-CAPACITY)	12	60	27060-78700-71	102211-5850	210-7024	Available in Reman Only
2001-2003	1DZ (IN-LINE PUMP)	12	60	27060-78700-71	102211-5850	210-7024	Available in Reman Only
02-7FDK25							
1999-2000	1DZ	12	50	27060-78201-71	101211-3680	210-7023	Available in Reman Only
1999-2000	1DZ	12	60	27060-78700-71	102211-5850	210-7024	Available in Reman Only
1998-1999	1DZ	12	60	27060-78700-71	102211-5850	210-7024	Available in Reman Only
2003-Up	1DZ	12	50	27060-78203-71	101211-3680	210-7023	Available in Reman Only
2003-Up	1DZ (DPF)	12	60	27060-78701-71	102211-5850	210-7024	Available in Reman Only
2003-Up	1DZ (HEATER)	12	60	27060-78701-71	102211-5850	210-7024	Available in Reman Only
2003-Up	1DZ (HI-CAPACITY)	12	60	27060-78701-71	102211-5850	210-7024	Available in Reman Only
2003-Up	1DZ (IN-LINE PUMP)	12	60	27060-78701-71	102211-5850	210-7024	Available in Reman Only
2001-2003	1DZ (DPF)	12	60	27060-78700-71	102211-5850	210-7024	Available in Reman Only
2001-2003	1DZ (HEATER)	12	60	27060-78700-71	102211-5850	210-7024	Available in Reman Only
2001-2003	1DZ (HI-CAPACITY)	12	60	27060-78700-71	102211-5850	210-7024	Available in Reman Only
2001-2003	1DZ (IN-LINE PUMP)	12	60	27060-78700-71	102211-5850	210-7024	Available in Reman Only
02-7FDK30							
1999-2000	1DZ	12	50	27060-78201-71	101211-3680	210-7023	Available in Reman Only
1999-2000	1DZ	12	60	27060-78700-71	102211-5850	210-7024	Available in Reman Only
1998-1999	1DZ	12	60	27060-78700-71	102211-5850	210-7024	Available in Reman Only
2003-Up	1DZ	12	50	27060-78203-71	101211-3680	210-7023	Available in Reman Only
2003-Up	1DZ (DPF)	12	60	27060-78701-71	102211-5850	210-7024	Available in Reman Only
2003-Up	1DZ (HEATER)	12	60	27060-78701-71	102211-5850	210-7024	Available in Reman Only
2003-Up	1DZ (HI-CAPACITY)	12	60	27060-78701-71	102211-5850	210-7024	Available in Reman Only
2003-Up	1DZ (IN-LINE PUMP)	12	60	27060-78701-71	102211-5850	210-7024	Available in Reman Only
2001-2003	1DZ (DPF)	12	60	27060-78700-71	102211-5850	210-7024	Available in Reman Only
2001-2003	1DZ (HEATER)	12	60	27060-78700-71	102211-5850	210-7024	Available in Reman Only
2001-2003	1DZ (HI-CAPACITY)	12	60	27060-78700-71	102211-5850	210-7024	Available in Reman Only
2001-2003	1DZ (IN-LINE PUMP)	12	60	27060-78700-71	102211-5850	210-7024	Available in Reman Only
02-7FDK40							
1998-2001	13Z	12	60	27060-78700-71	102211-5850	210-7024	Available in Reman Only
2003-Up	13Z	12	50	27060-78203-71	101211-3680	210-7023	Available in Reman Only
2003-Up	13Z (HI-CAPACITY)	12	60	27060-78701-71	102211-5850	210-7024	Available in Reman Only
2001-2003	13Z	12	50	27060-78201-71	101211-3680	210-7023	Available in Reman Only
2001-2003	13Z (HI-CAPACITY)	12	60	27060-78700-71	102211-5850	210-7024	Available in Reman Only
02-7FDN15							
2003-Up	1DZ,2Z	12	50	27060-78203-71	101211-3680	210-7023	Available in Reman Only
2003-Up	1DZ,2Z (DPF)	12	60	27060-78701-71	102211-5850	210-7024	Available in Reman Only
2003-Up	1DZ,2Z (HI-CAPACITY, HEATER)	12	60	27060-78701-71	102211-5850	210-7024	Available in Reman Only
02-7FDN20							
2003-Up	1DZ,2Z	12	50	27060-78203-71	101211-3680	210-7023	Available in Reman Only



YEAR	ENGINE	VOLTS	AMPS	OEM PART NUMBER	NEW PART NUMBER	REMAN PART NUMBER	APPLICATION INFORMATION
TOYOTA (continued)							
02-7FDN20 (continued)							
2003-Up	1DZ,2Z (DPF)	12	60	27060-78701-71	102211-5850	210-7024	Available in Reman Only
2003-Up	1DZ,2Z (HI-CAPACITY, HEATER)	12	60	27060-78701-71	102211-5850	210-7024	Available in Reman Only
02-7FDN25							
2003-Up	1DZ,2Z	12	50	27060-78203-71	101211-3680	210-7023	Available in Reman Only
2003-Up	1DZ,2Z (DPF)	12	60	27060-78701-71	102211-5850	210-7024	Available in Reman Only
2003-Up	1DZ,2Z (HI-CAPACITY, HEATER)	12	60	27060-78701-71	102211-5850	210-7024	Available in Reman Only
02-7FDN30							
2003-Up	1DZ,2Z	12	50	27060-78203-71	101211-3680	210-7023	Available in Reman Only
2003-Up	1DZ,2Z (DPF)	12	60	27060-78701-71	102211-5850	210-7024	Available in Reman Only
2003-Up	1DZ,2Z (HI-CAPACITY, HEATER)	12	60	27060-78701-71	102211-5850	210-7024	Available in Reman Only
02-7FG10							
1998-2003	4Y,5K (HI-CAPACITY)	12	60	27060-78154-71	102211-5200	210-7013	Available in Reman Only
1998-2000	4Y, 5K	12	50	27060-78153-71	101211-3580	210-7007	Available in Reman Only
2003-Up	4Y,5K	12	50	27060-78158-71	101211-8700	210-7022	Available in Reman Only
2000-2001	4Y,5K	12	50	27060-78156-71	101211-8580	210-7022	Available in Reman Only
02-7FG14							
1998-2003	4Y,5K (HI-CAPACITY)	12	60	27060-78154-71	102211-5200	210-7013	Available in Reman Only
1998-2000	4Y, 5K	12	50	27060-78153-71	101211-3580	210-7007	Available in Reman Only
2003-Up	4Y,5K	12	50	27060-78158-71	101211-8700	210-7022	Available in Reman Only
2000-2001	4Y,5K	12	50	27060-78156-71	101211-8580	210-7022	Available in Reman Only
02-7FG15							
1998-2003	4Y,5K (HI-CAPACITY)	12	60	27060-78154-71	102211-5200	210-7013	Available in Reman Only
1998-2000	4Y, 5K	12	50	27060-78153-71	101211-3580	210-7007	Available in Reman Only
2003-Up	4Y,5K	12	50	27060-78158-71	101211-8700	210-7022	Available in Reman Only
2000-2001	4Y,5K	12	50	27060-78156-71	101211-8580	210-7022	Available in Reman Only
02-7FG20							
1998-2003	4Y,5K (HI-CAPACITY)	12	60	27060-78154-71	102211-5200	210-7013	Available in Reman Only
1998-2000	4Y, 5K	12	50	27060-78153-71	101211-3580	210-7007	Available in Reman Only
2003-Up	4Y,5K	12	50	27060-78158-71	101211-8700	210-7022	Available in Reman Only
2000-2001	4Y,5K	12	50	27060-78156-71	101211-8580	210-7022	Available in Reman Only
02-7FG25							
1998-2003	4Y,5K (HI-CAPACITY)	12	60	27060-78154-71	102211-5200	210-7013	Available in Reman Only
1998-2000	4Y, 5K	12	50	27060-78153-71	101211-3580	210-7007	Available in Reman Only
2003-Up	4Y,5K	12	50	27060-78158-71	101211-8700	210-7022	Available in Reman Only
2000-2001	4Y,5K	12	50	27060-78156-71	101211-8580	210-7022	Available in Reman Only
02-7FG30							
1998-2003	4Y,5K (HI-CAPACITY)	12	60	27060-78154-71	102211-5200	210-7013	Available in Reman Only
1998-2000	4Y, 5K	12	50	27060-78153-71	101211-3580	210-7007	Available in Reman Only
2003-Up	4Y,5K	12	50	27060-78158-71	101211-8700	210-7022	Available in Reman Only
2000-2001	4Y,5K	12	50	27060-78156-71	101211-8580	210-7022	Available in Reman Only
02-7FGF30							
1999-2000	4Y	12	50	27060-78153-71	101211-3580	210-7007	Available in Reman Only
2002-Up	4Y (4Y-ECS..HI-CAPACITY)	12	60	27060-78154-71	102211-5200	210-7013	Available in Reman Only



YEAR	ENGINE	VOLTS	AMPS	OEM PART NUMBER	NEW PART NUMBER	REMAN PART NUMBER	APPLICATION INFORMATION
TOYOTA (continued)							
02-7FGF30 (continued)							
2000-2001	4Y	12	50	27060-78156-71	101211-8700	210-7022	Available in Reman Only
1996	4Y (HI-CAPACITY)	12	60	27060-78154-71	102211-5200	210-7013	Available in Reman Only
02-7FGJ35							
1998-2003	4Y,5K (HI-CAPACITY)	12	60	27060-78154-71	102211-5200	210-7013	Available in Reman Only
1998-2000	4Y, 5K	12	50	27060-78153-71	101211-3580	210-7007	Available in Reman Only
2003-Up	4Y,5K	12	50	27060-78158-71	101211-8700	210-7022	Available in Reman Only
2000-2001	4Y,5K	12	50	27060-78156-71	101211-8580	210-7022	Available in Reman Only
02-7FGJF35							
1999-2000	4Y	12	50	27060-78153-71	101211-3580	210-7007	Available in Reman Only
2002-Up	4Y (4Y-ECS..HI-CAPACITY)	12	60	27060-78154-71	102211-5200	210-7013	Available in Reman Only
2000-2001	4Y	12	50	27060-78156-71	101211-8700	210-7022	Available in Reman Only
1996	4Y (HI-CAPACITY)	12	60	27060-78154-71	102211-5200	210-7013	Available in Reman Only
02-7FGK20							
1998-2003	4Y,5K (HI-CAPACITY)	12	60	27060-78154-71	102211-5200	210-7013	Available in Reman Only
1998-2000	4Y, 5K	12	50	27060-78153-71	101211-3580	210-7007	Available in Reman Only
2003-Up	4Y,5K	12	50	27060-78158-71	101211-8700	210-7022	Available in Reman Only
2000-2001	4Y,5K	12	50	27060-78156-71	101211-8580	210-7022	Available in Reman Only
02-7FGK25							
1998-2003	4Y,5K (HI-CAPACITY)	12	60	27060-78154-71	102211-5200	210-7013	Available in Reman Only
1998-2000	4Y, 5K	12	50	27060-78153-71	101211-3580	210-7007	Available in Reman Only
2003-Up	4Y,5K	12	50	27060-78158-71	101211-8700	210-7022	Available in Reman Only
2000-2001	4Y,5K	12	50	27060-78156-71	101211-8580	210-7022	Available in Reman Only
02-7FGK30							
1998-2003	4Y,5K (HI-CAPACITY)	12	60	27060-78154-71	102211-5200	210-7013	Available in Reman Only
1998-2000	4Y, 5K	12	50	27060-78153-71	101211-3580	210-7007	Available in Reman Only
2003-Up	4Y,5K	12	50	27060-78158-71	101211-8700	210-7022	Available in Reman Only
2000-2001	4Y,5K	12	50	27060-78156-71	101211-8580	210-7022	Available in Reman Only
02-7FGN30							
2003-Up	4Y	12	50	27060-78158-71	101211-8580	210-7022	Available in Reman Only
02-FD18							
1978-1986	2J	24	15	27020-78601-71	021000-4510	210-7004	Available in Reman Only
02-FD23							
1978-1986	2J, 2JT	24	15	27020-78601-71	021000-4510	210-7004	Available in Reman Only
02-FD28							
1978-1986	2J, 2JT	24	15	27020-78601-71	021000-4510	210-7004	Available in Reman Only
02-FDC18							
1985-1988	2J (12V..UL-D)	12	45	27020-61110	021000-8040	210-7005	Available in Reman Only
1980-1988	2J	24	15	27020-78601-71	021000-4510	210-7004	Available in Reman Only
02-FDC23							
1985-1988	2J (12V..UL-D)	12	45	27020-61110	021000-8040	210-7005	Available in Reman Only
1980-1988	2J	24	15	27020-78601-71	021000-4510	210-7004	Available in Reman Only
02-FDC28							
1980-1988	2J	24	15	27020-78601-71	021000-4510	210-7004	Available in Reman Only



YEAR	ENGINE	VOLTS	AMPS	OEM PART NUMBER	NEW PART NUMBER	REMAN PART NUMBER	APPLICATION INFORMATION
TOYOTA (continued)							
02-FDE35							
1980-1988	2H	24	15	27020-78601-71	021000-4510	210-7004	Available in Reman Only
02-FG18							
1978-1986	4P,5R	12	30	27020-76003-71	021000-5601	210-7025	Available in Reman Only
02-FG23							
1978-1986	4P,5R	12	30	27020-76003-71	021000-5601	210-7025	Available in Reman Only
02-FGC18							
1980-1988	4P,5R	12	30	27020-76003-71	021000-5601	210-7025	Available in Reman Only
02-FGC23							
1980-1988	4P,5R	12	30	27020-76003-71	021000-5601	210-7025	Available in Reman Only
02-FGE35							
1980-1988	2F	12	45	27020-61110	021000-8040	210-7005	Available in Reman Only
02-SD7							
1977-1992	2J	24	15	27020-78601-71	021000-4510	210-7004	Available in Reman Only
1975-1977	2J	24	15	27020-78601-71	021000-4510	210-7004	Available in Reman Only
02-TG20							
1973-1989	5R	12	30	27020-76003-71	021000-5601	210-7025	Available in Reman Only
04-5FD28							
1989-1994	1Z	12	40	27060-78305-71	100211-6931	210-7001	From 3/89. Available in Reman Only
1989-1994	1Z (HI-CAPACITY)	12	50	27070-23041-71	100211-6961	210-7019	Available in Reman Only
1986-1989	1Z	12	40	27060-78301-71	100211-4004	210-7003	To 3/89. Available in Reman Only
04-5FD30							
1989-1994	1Z	12	40	27060-78305-71	100211-6931	210-7001	From 3/89. Available in Reman Only
1989-1994	1Z (HI-CAPACITY)	12	50	27070-23041-71	100211-6961	210-7019	Available in Reman Only
1986-1989	1Z	12	40	27060-78301-71	100211-4004	210-7003	To 3/89. Available in Reman Only
04-5FG20							
1989-Up	4P,4Y (HI-CAPACITY)	12	50	27070-23001-71	100211-6970	210-7018	Available in Reman Only
1989-1994	4Y, 5K	12	35	27060-78003-71	100211-4540	210-7000	Available in Reman Only
1989-1994	4Y,5K (HI-CAPACITY)	12	50	27070-23001-71	100211-6970	210-7018	Available in Reman Only
1986-1989	4P, 4Y	12	35	27060-78001-71	100211-1662	210-7002	To 3/89. Available in Reman Only
1989	4P, 4Y	12	35	27060-78003-71	100211-4540	210-7000	From 3/89. Available in Reman Only
04-5FG23							
1989-Up	4P,4Y (HI-CAPACITY)	12	50	27070-23001-71	100211-6970	210-7018	Available in Reman Only
1989-1994	4Y, 5K	12	35	27060-78003-71	100211-4540	210-7000	Available in Reman Only
1989-1994	4Y,5K (HI-CAPACITY)	12	50	27070-23001-71	100211-6970	210-7018	Available in Reman Only
1986-1989	4P, 4Y	12	35	27060-78001-71	100211-1662	210-7002	To 3/89. Available in Reman Only
1989	4P, 4Y	12	35	27060-78003-71	100211-4540	210-7000	From 3/89. Available in Reman Only
04-5FG25							
1989-Up	4P,4Y (HI-CAPACITY)	12	50	27070-23001-71	100211-6970	210-7018	Available in Reman Only
1989-1994	4Y, 5K	12	35	27060-78003-71	100211-4540	210-7000	Available in Reman Only
1989-1994	4Y,5K (HI-CAPACITY)	12	50	27070-23001-71	100211-6970	210-7018	Available in Reman Only
1986-1989	4P, 4Y	12	35	27060-78001-71	100211-1662	210-7002	To 3/89. Available in Reman Only
1989	4P, 4Y	12	35	27060-78003-71	100211-4540	210-7000	From 3/89. Available in Reman Only
04-5FG28							
1989-1994	4Y	12	35	27060-78003-71	100211-4540	210-7000	From 3/89. Available in Reman Only



YEAR	ENGINE	VOLTS	AMPS	OEM PART NUMBER	NEW PART NUMBER	REMAN PART NUMBER	APPLICATION INFORMATION
TOYOTA (continued)							
04-5FG28 (continued)							
1989-1994	4Y (HI-CAPACITY)	12	50	27070-23001-71	100211-6970	210-7018	Available in Reman Only
1986-1989	4Y	12	35	27060-78001-71	100211-1662	210-7002	To 3/89. Available in Reman Only
04-5FG30							
1989-1994	4Y	12	35	27060-78003-71	100211-4540	210-7000	From 3/89. Available in Reman Only
1989-1994	4Y (HI-CAPACITY)	12	50	27070-23001-71	100211-6970	210-7018	Available in Reman Only
1986-1989	4Y	12	35	27060-78001-71	100211-1662	210-7002	To 3/89. Available in Reman Only
2FDC20							
1985-1988	2J (12V..UL-D)	12	45	27020-61110	021000-8040	210-7005	Available in Reman Only
1980-1988	2J	24	15	27020-78601-71	021000-4510	210-7004	Available in Reman Only
2FDC25							
1985-1988	2J (12V..UL-D)	12	45	27020-61110	021000-8040	210-7005	Available in Reman Only
1980-1988	2J	24	15	27020-78601-71	021000-4510	210-7004	Available in Reman Only
2FDC30							
1980-1988	2J	24	15	27020-78601-71	021000-4510	210-7004	Available in Reman Only
2FG7							
1981-1992	3P	12	30	27020-76003-71	021000-5601	210-7025	Available in Reman Only
2FG9							
1981-1992	3P	12	30	27020-76003-71	021000-5601	210-7025	Available in Reman Only
2SD10							
1977-1990	2J	24	15	27020-78601-71	021000-4510	210-7004	Available in Reman Only
1974-1977	2J	24	15	27020-78601-71	021000-4510	210-7004	Available in Reman Only
2SD12							
1977-1990	2J	24	15	27020-78601-71	021000-4510	210-7004	Available in Reman Only
1974-1977	2J	24	15	27020-78601-71	021000-4510	210-7004	Available in Reman Only
2SG12							
1974-1990	4P,5R	12	30	27020-76003-71	021000-5601	210-7025	Available in Reman Only
2SGH7							
1975-1992	4P	12	30	27020-76003-71	021000-5601	210-7025	Available in Reman Only
2SGH10							
1974-1990	4P,5R	12	30	27020-76003-71	021000-5601	210-7025	Available in Reman Only
2SGK6							
1986-1992	4P	12	30	27020-76003-71	021000-5601	210-7025	Available in Reman Only
2TG10							
1997-Up	5K	12	35	27060-78003-71	100211-4540	210-7000	Available in Reman Only
30-5FGC10							
1989-1993	4P	12	35	27060-78003-71	100211-4540	210-7000	From 3/89. Available in Reman Only
1989-1993	* (HI-CAPACITY)	12	50	27070-23001-71	100211-6970	210-7018	Available in Reman Only
1988-1989	4P	12	35	27060-78001-71	100211-1662	210-7002	To 3/89. Available in Reman Only
30-5FGC13							
1989-1993	4P	12	35	27060-78003-71	100211-4540	210-7000	From 3/89. Available in Reman Only
1989-1993	* (HI-CAPACITY)	12	50	27070-23001-71	100211-6970	210-7018	Available in Reman Only
1988-1989	4P	12	35	27060-78001-71	100211-1662	210-7002	To 3/89. Available in Reman Only

ALTERNATOR APPLICATIONS



YEAR	ENGINE	VOLTS	AMPS	OEM PART NUMBER	NEW PART NUMBER	REMAN PART NUMBER	APPLICATION INFORMATION
TOYOTA (continued)							
30-5FGC15							
1989-1993	4P	12	35	27060-78003-71	100211-4540	210-7000	From 3/89. Available in Reman Only
1989-1993	*(HI-CAPACITY)	12	50	27070-23001-71	100211-6970	210-7018	Available in Reman Only
1988-1989	4P	12	35	27060-78001-71	100211-1662	210-7002	To 3/89. Available in Reman Only
3FD10							
1978-1986	2J	24	15	27020-78601-71	021000-4510	210-7004	Available in Reman Only
3FD14							
1978-1986	2J	24	15	27020-78601-71	021000-4510	210-7004	Available in Reman Only
3FD15							
1978-1986	2J	24	15	27020-78601-71	021000-4510	210-7004	Available in Reman Only
3FD18							
1978-1986	2J	24	15	27020-78601-71	021000-4510	210-7004	Available in Reman Only
3FD20							
1978-1986	2J, 2JT	24	15	27020-78601-71	021000-4510	210-7004	Available in Reman Only
3FD25							
1978-1986	2J, 2JT	24	15	27020-78601-71	021000-4510	210-7004	Available in Reman Only
3FD28							
1978-1986	2J, 2JT	24	15	27020-78601-71	021000-4510	210-7004	Available in Reman Only
3FD30							
1978-1986	2J, 2JT	24	15	27020-78601-71	021000-4510	210-7004	Available in Reman Only
3FD33							
1980-1988	2H	24	15	27020-78601-71	021000-4510	210-7004	Available in Reman Only
3FD35							
1980-1988	2H	24	15	27020-78601-71	021000-4510	210-7004	Available in Reman Only
3FD40							
1980-1988	2H	24	15	27020-78601-71	021000-4510	210-7004	Available in Reman Only
3FD50							
1977-1990	2H	24	15	27020-78601-71	021000-4510	210-7004	Available in Reman Only
3FD60							
1977-1990	2H	24	15	27020-78601-71	021000-4510	210-7004	Available in Reman Only
3FG20							
1978-1986	4P,5R	12	30	27020-76003-71	021000-5601	210-7025	Available in Reman Only
3FG25							
1978-1986	4P,5R	12	30	27020-76003-71	021000-5601	210-7025	Available in Reman Only
3FG33							
1980-1988	2F	12	45	27020-61110	021000-8040	210-7005	Available in Reman Only
3FG35							
1980-1988	2F	12	45	27020-61110	021000-8040	210-7005	Available in Reman Only
3FG40							
1980-1988	2F	12	45	27020-61110	021000-8040	210-7005	Available in Reman Only
3FGC10							
1980-1988	*	12	30	27020-76003-71	021000-5601	210-7025	Available in Reman Only



YEAR	ENGINE	VOLTS	AMPS	OEM PART NUMBER	NEW PART NUMBER	REMAN PART NUMBER	APPLICATION INFORMATION
TOYOTA (continued)							
3FGC13							
1980-1988	*	12	30	27020-76003-71	021000-5601	210-7025	Available in Reman Only
3FGC15							
1980-1988	*	12	30	27020-76003-71	021000-5601	210-7025	Available in Reman Only
3SD20							
1979-1997	2H	24	15	27020-78601-71	021000-4510	210-7004	Available in Reman Only
3SD23							
1979-1997	2H	24	15	27020-78601-71	021000-4510	210-7004	Available in Reman Only
3SDK7							
1992-1997	1DZ	12	40	27060-78305-71	100211-6931	210-7001	Available in Reman Only
3SDK8							
1992-1997	1DZ	12	40	27060-78305-71	100211-6931	210-7001	Available in Reman Only
40-2FG7							
1992-1997	5K	12	35	27060-78003-71	100211-4540	210-7000	Available in Reman Only
1981-1992	4P	12	30	27020-76003-71	021000-5601	210-7025	Available in Reman Only
40-2FG9							
1992-1997	5K	12	35	27060-78003-71	100211-4540	210-7000	Available in Reman Only
1981-1992	4P	12	30	27020-76003-71	021000-5601	210-7025	Available in Reman Only
40-2SG10							
1974-1990	4P,5R	12	30	27020-76003-71	021000-5601	210-7025	Available in Reman Only
40-3FG7							
1997-Up	5K	12	35	27060-78003-71	100211-4540	210-7000	Available in Reman Only
40-3FG9							
1997-Up	5K	12	35	27060-78003-71	100211-4540	210-7000	Available in Reman Only
40-3FG20							
1978-1986	4P,5R	12	30	27020-76003-71	021000-5601	210-7025	Available in Reman Only
40-3FG25							
1978-1986	4P,5R	12	30	27020-76003-71	021000-5601	210-7025	Available in Reman Only
40-3FGC10							
1980-1988	*	12	30	27020-76003-71	021000-5601	210-7025	Available in Reman Only
40-3FGC13							
1980-1988	*	12	30	27020-76003-71	021000-5601	210-7025	Available in Reman Only
40-3FGC15							
1980-1988	*	12	30	27020-76003-71	021000-5601	210-7025	Available in Reman Only
40-4FG10							
1978-1986	4P,5R	12	30	27020-76003-71	021000-5601	210-7025	Available in Reman Only
40-4FG14							
1978-1986	4P,5R	12	30	27020-76003-71	021000-5601	210-7025	Available in Reman Only
40-4FG15							
1978-1986	4P,5R	12	30	27020-76003-71	021000-5601	210-7025	Available in Reman Only
40-4FG18							
1978-1986	4P,5R	12	30	27020-76003-71	021000-5601	210-7025	Available in Reman Only



YEAR	ENGINE	VOLTS	AMPS	OEM PART NUMBER	NEW PART NUMBER	REMAN PART NUMBER	APPLICATION INFORMATION
TOYOTA (continued)							
40-4FG20							
1978-1986	4P,5R	12	30	27020-76003-71	021000-5601	210-7025	Available in Reman Only
40-4FG23							
1978-1986	4P,5R	12	30	27020-76003-71	021000-5601	210-7025	Available in Reman Only
40-4FG25							
1978-1986	4P,5R	12	30	27020-76003-71	021000-5601	210-7025	Available in Reman Only
40-4FGC20							
1980-1988	4P,5R	12	30	27020-76003-71	021000-5601	210-7025	Available in Reman Only
40-4FGC25							
1980-1988	4P,5R	12	30	27020-76003-71	021000-5601	210-7025	Available in Reman Only
40-5FG10							
1989-Up	4P,4Y (HI-CAPACITY)	12	50	27070-23001-71	100211-6970	210-7018	Available in Reman Only
1989-1994	4Y, 5K	12	35	27060-78003-71	100211-4540	210-7000	Available in Reman Only
1989-1994	4Y,5K (HI-CAPACITY)	12	50	27070-23001-71	100211-6970	210-7018	Available in Reman Only
1986-1989	4P, 4Y	12	35	27060-78001-71	100211-1662	210-7002	To 3/89. Available in Reman Only
1989	4P, 4Y	12	35	27060-78003-71	100211-4540	210-7000	From 3/89. Available in Reman Only
40-5FG14							
1989-Up	4P,4Y (HI-CAPACITY)	12	50	27070-23001-71	100211-6970	210-7018	Available in Reman Only
1989-1994	4Y, 5K	12	35	27060-78003-71	100211-4540	210-7000	Available in Reman Only
1989-1994	4Y,5K (HI-CAPACITY)	12	50	27070-23001-71	100211-6970	210-7018	Available in Reman Only
1986-1989	4P, 4Y	12	35	27060-78001-71	100211-1662	210-7002	To 3/89. Available in Reman Only
1989	4P, 4Y	12	35	27060-78003-71	100211-4540	210-7000	From 3/89. Available in Reman Only
40-5FG15							
1989-Up	4P,4Y (HI-CAPACITY)	12	50	27070-23001-71	100211-6970	210-7018	Available in Reman Only
1989-1994	4Y, 5K	12	35	27060-78003-71	100211-4540	210-7000	Available in Reman Only
1989-1994	4Y,5K (HI-CAPACITY)	12	50	27070-23001-71	100211-6970	210-7018	Available in Reman Only
1986-1989	4P, 4Y	12	35	27060-78001-71	100211-1662	210-7002	To 3/89. Available in Reman Only
1989	4P, 4Y	12	35	27060-78003-71	100211-4540	210-7000	From 3/89. Available in Reman Only
40-5FG18							
1989-Up	4P,4Y (HI-CAPACITY)	12	50	27070-23001-71	100211-6970	210-7018	Available in Reman Only
1989-1994	4Y, 5K	12	35	27060-78003-71	100211-4540	210-7000	Available in Reman Only
1989-1994	4Y,5K (HI-CAPACITY)	12	50	27070-23001-71	100211-6970	210-7018	Available in Reman Only
1986-1989	4P, 4Y	12	35	27060-78001-71	100211-1662	210-7002	To 3/89. Available in Reman Only
1989	4P, 4Y	12	35	27060-78003-71	100211-4540	210-7000	From 3/89. Available in Reman Only
40-5FG20							
1989-Up	4P,4Y (HI-CAPACITY)	12	50	27070-23001-71	100211-6970	210-7018	Available in Reman Only
1989-1994	4Y, 5K	12	35	27060-78003-71	100211-4540	210-7000	Available in Reman Only
1989-1994	4Y,5K (HI-CAPACITY)	12	50	27070-23001-71	100211-6970	210-7018	Available in Reman Only
1986-1989	4P, 4Y	12	35	27060-78001-71	100211-1662	210-7002	To 3/89. Available in Reman Only
1989	4P, 4Y	12	35	27060-78003-71	100211-4540	210-7000	From 3/89. Available in Reman Only
40-5FG23							
1989-Up	4P,4Y (HI-CAPACITY)	12	50	27070-23001-71	100211-6970	210-7018	Available in Reman Only
1989-1994	4Y, 5K	12	35	27060-78003-71	100211-4540	210-7000	Available in Reman Only
1989-1994	4Y,5K (HI-CAPACITY)	12	50	27070-23001-71	100211-6970	210-7018	Available in Reman Only
1986-1989	4P, 4Y	12	35	27060-78001-71	100211-1662	210-7002	To 3/89. Available in Reman Only
1989	4P, 4Y	12	35	27060-78003-71	100211-4540	210-7000	From 3/89. Available in Reman Only



YEAR	ENGINE	VOLTS	AMPS	OEM PART NUMBER	NEW PART NUMBER	REMAN PART NUMBER	APPLICATION INFORMATION
TOYOTA (continued)							
40-5FG25							
1989-Up	4P,4Y (HI-CAPACITY)	12	50	27070-23001-71	100211-6970	210-7018	Available in Reman Only
1989-1994	4Y, 5K	12	35	27060-78003-71	100211-4540	210-7000	Available in Reman Only
1989-1994	4Y,5K (HI-CAPACITY)	12	50	27070-23001-71	100211-6970	210-7018	Available in Reman Only
1986-1989	4P, 4Y	12	35	27060-78001-71	100211-1662	210-7002	To 3/89. Available in Reman Only
1989	4P, 4Y	12	35	27060-78003-71	100211-4540	210-7000	From 3/89. Available in Reman Only
40-5FGF15							
1989-1994	4Y	12	35	27060-78003-71	100211-4540	210-7000	From 6/89. Available in Reman Only
1989-1994	4Y (HI-CAPACITY)	12	50	27070-23001-71	100211-6970	210-7018	Available in Reman Only
1987-1989	4Y	12	35	27060-78001-71	100211-1662	210-7002	To 6/89. Available in Reman Only
40-5FGF18							
1989-1994	4Y	12	35	27060-78003-71	100211-4540	210-7000	From 6/89. Available in Reman Only
1989-1994	4Y (HI-CAPACITY)	12	50	27070-23001-71	100211-6970	210-7018	Available in Reman Only
1987-1989	4Y	12	35	27060-78001-71	100211-1662	210-7002	To 6/89. Available in Reman Only
40-5FGF20							
1989-1994	4Y	12	35	27060-78003-71	100211-4540	210-7000	Available in Reman Only
1989-1994	4Y (HI-CAPACITY)	12	50	27070-23001-71	100211-6970	210-7018	Available in Reman Only
1987-1989	4P, 4Y	12	35	27060-78001-71	100211-1662	210-7002	Available in Reman Only
40-6FG10							
1994-1996	4Y, 5K	12	35	27060-78003-71	100211-4540	210-7000	Available in Reman Only
1994-1996	4Y,5K (HI-CAPACITY)	12	50	27070-23001-71	100211-6970	210-7018	Available in Reman Only
40-6FG14							
1994-1996	4Y, 5K	12	35	27060-78003-71	100211-4540	210-7000	Available in Reman Only
1994-1996	4Y,5K (HI-CAPACITY)	12	50	27070-23001-71	100211-6970	210-7018	Available in Reman Only
40-6FG15							
1994-1996	4Y, 5K	12	35	27060-78003-71	100211-4540	210-7000	Available in Reman Only
1994-1996	4Y,5K (HI-CAPACITY)	12	50	27070-23001-71	100211-6970	210-7018	Available in Reman Only
40-6FG18							
1994-1996	4Y, 5K	12	35	27060-78003-71	100211-4540	210-7000	Available in Reman Only
1994-1996	4Y,5K (HI-CAPACITY)	12	50	27070-23001-71	100211-6970	210-7018	Available in Reman Only
40-6FG20							
1993-1996	4Y, 5K	12	35	27060-78003-71	100211-4540	210-7000	Available in Reman Only
1993-1996	4Y,5K (HI-CAPACITY)	12	50	27070-23001-71	100211-6970	210-7018	Available in Reman Only
40-6FG23							
1993-1996	4Y, 5K	12	35	27060-78003-71	100211-4540	210-7000	Available in Reman Only
1993-1996	4Y,5K (HI-CAPACITY)	12	50	27070-23001-71	100211-6970	210-7018	Available in Reman Only
40-6FG25							
1993-1996	4Y, 5K	12	35	27060-78003-71	100211-4540	210-7000	Available in Reman Only
1993-1996	4Y,5K (HI-CAPACITY)	12	50	27070-23001-71	100211-6970	210-7018	Available in Reman Only
40-7FG15							
1998-2003	4Y,5K (HI-CAPACITY)	12	60	27060-78154-71	102211-5200	210-7013	Available in Reman Only
1998-2000	4Y, 5K	12	50	27060-78153-71	101211-3580	210-7007	Available in Reman Only
2003-Up	4Y,5K	12	50	27060-78158-71	101211-8700	210-7022	Available in Reman Only
2000-2001	4Y,5K	12	50	27060-78156-71	101211-8580	210-7022	Available in Reman Only
40-7FG20							
1998-2003	4Y,5K (HI-CAPACITY)	12	60	27060-78154-71	102211-5200	210-7013	Available in Reman Only



YEAR	ENGINE	VOLTS	AMPS	OEM PART NUMBER	NEW PART NUMBER	REMAN PART NUMBER	APPLICATION INFORMATION
TOYOTA (continued)							
40-7FG20 (continued)							
1998-2000	4Y,5K	12	50	27060-78153-71	101211-3580	210-7007	Available in Reman Only
2003-Up	4Y,5K	12	50	27060-78158-71	101211-8700	210-7022	Available in Reman Only
2000-2001	4Y,5K	12	50	27060-78156-71	101211-8580	210-7022	Available in Reman Only
40-7FG23							
1998-2003	4Y,5K (HI-CAPACITY)	12	60	27060-78154-71	102211-5200	210-7013	Available in Reman Only
1998-2000	4Y,5K	12	50	27060-78153-71	101211-3580	210-7007	Available in Reman Only
2003-Up	4Y,5K	12	50	27060-78158-71	101211-8700	210-7022	Available in Reman Only
2000-2001	4Y,5K	12	50	27060-78156-71	101211-8580	210-7022	Available in Reman Only
40-7FG25							
1998-2003	4Y,5K (HI-CAPACITY)	12	60	27060-78154-71	102211-5200	210-7013	Available in Reman Only
1998-2000	4Y,5K	12	50	27060-78153-71	101211-3580	210-7007	Available in Reman Only
2003-Up	4Y,5K	12	50	27060-78158-71	101211-8700	210-7022	Available in Reman Only
2000-2001	4Y,5K	12	50	27060-78156-71	101211-8580	210-7022	Available in Reman Only
40-7FGK20							
1998-2003	4Y,5K (HI-CAPACITY)	12	60	27060-78154-71	102211-5200	210-7013	Available in Reman Only
1998-2000	4Y,5K	12	50	27060-78153-71	101211-3580	210-7007	Available in Reman Only
2003-Up	4Y,5K	12	50	27060-78158-71	101211-8700	210-7022	Available in Reman Only
2000-2001	4Y,5K	12	50	27060-78156-71	101211-8580	210-7022	Available in Reman Only
40-7FGK25							
1998-2003	4Y,5K (HI-CAPACITY)	12	60	27060-78154-71	102211-5200	210-7013	Available in Reman Only
1998-2000	4Y,5K	12	50	27060-78153-71	101211-3580	210-7007	Available in Reman Only
2003-Up	4Y,5K	12	50	27060-78158-71	101211-8700	210-7022	Available in Reman Only
2000-2001	4Y,5K	12	50	27060-78156-71	101211-8580	210-7022	Available in Reman Only
40-7FGN15							
2003-Up	4Y	12	50	27060-78158-71	101211-8580	210-7022	Available in Reman Only
40-7FGN20							
2003-Up	4Y	12	50	27060-78158-71	101211-8580	210-7022	Available in Reman Only
40-7FGN25							
2003-Up	4Y	12	50	27060-78158-71	101211-8580	210-7022	Available in Reman Only
40-FG18							
1978-1986	4P,5R	12	30	27020-76003-71	021000-5601	210-7025	Available in Reman Only
40-FG23							
1978-1986	4P,5R	12	30	27020-76003-71	021000-5601	210-7025	Available in Reman Only
40-FGC18							
1980-1988	4P,5R	12	30	27020-76003-71	021000-5601	210-7025	Available in Reman Only
40-FGC23							
1980-1988	4P,5R	12	30	27020-76003-71	021000-5601	210-7025	Available in Reman Only
42-2SG10							
1974-1990	4P,5R	12	30	27020-76003-71	021000-5601	210-7025	Available in Reman Only
42-3FG20							
1978-1986	4P,5R	12	30	27020-76003-71	021000-5601	210-7025	Available in Reman Only
42-3FG25							
1978-1986	4P,5R	12	30	27020-76003-71	021000-5601	210-7025	Available in Reman Only



YEAR	ENGINE	VOLTS	AMPS	OEM PART NUMBER	NEW PART NUMBER	REMAN PART NUMBER	APPLICATION INFORMATION
TOYOTA (continued)							
42-3FGC10							
1980-1988	*	12	30	27020-76003-71	021000-5601	210-7025	Available in Reman Only
42-3FGC13							
1980-1988	*	12	30	27020-76003-71	021000-5601	210-7025	Available in Reman Only
42-3FGC15							
1980-1988	*	12	30	27020-76003-71	021000-5601	210-7025	Available in Reman Only
42-4FG10							
1978-1986	4P,5R	12	30	27020-76003-71	021000-5601	210-7025	Available in Reman Only
42-4FG14							
1978-1986	4P,5R	12	30	27020-76003-71	021000-5601	210-7025	Available in Reman Only
42-4FG15							
1978-1986	4P,5R	12	30	27020-76003-71	021000-5601	210-7025	Available in Reman Only
42-4FG18							
1978-1986	4P,5R	12	30	27020-76003-71	021000-5601	210-7025	Available in Reman Only
42-4FG20							
1978-1986	4P,5R	12	30	27020-76003-71	021000-5601	210-7025	Available in Reman Only
42-4FG23							
1978-1986	4P,5R	12	30	27020-76003-71	021000-5601	210-7025	Available in Reman Only
42-4FG25							
1978-1986	4P,5R	12	30	27020-76003-71	021000-5601	210-7025	Available in Reman Only
42-4FGC20							
1980-1988	4P,5R	12	30	27020-76003-71	021000-5601	210-7025	Available in Reman Only
42-4FGC25							
1980-1988	4P,5R	12	30	27020-76003-71	021000-5601	210-7025	Available in Reman Only
42-5FG10							
1989-Up	4P,4Y (HI-CAPACITY)	12	50	27070-23001-71	100211-6970	210-7018	Available in Reman Only
1989-1994	4Y, 5K	12	35	27060-78003-71	100211-4540	210-7000	Available in Reman Only
1989-1994	4Y,5K (HI-CAPACITY)	12	50	27070-23001-71	100211-6970	210-7018	Available in Reman Only
1986-1989	4P, 4Y	12	35	27060-78001-71	100211-1662	210-7002	To 3/89. Available in Reman Only
1989	4P, 4Y	12	35	27060-78003-71	100211-4540	210-7000	From 3/89. Available in Reman Only
42-5FG14							
1989-Up	4P,4Y (HI-CAPACITY)	12	50	27070-23001-71	100211-6970	210-7018	Available in Reman Only
1989-1994	4Y, 5K	12	35	27060-78003-71	100211-4540	210-7000	Available in Reman Only
1989-1994	4Y,5K (HI-CAPACITY)	12	50	27070-23001-71	100211-6970	210-7018	Available in Reman Only
1986-1989	4P, 4Y	12	35	27060-78001-71	100211-1662	210-7002	To 3/89. Available in Reman Only
1989	4P, 4Y	12	35	27060-78003-71	100211-4540	210-7000	From 3/89. Available in Reman Only
42-5FG15							
1989-Up	4P,4Y (HI-CAPACITY)	12	50	27070-23001-71	100211-6970	210-7018	Available in Reman Only
1989-1994	4Y, 5K	12	35	27060-78003-71	100211-4540	210-7000	Available in Reman Only
1989-1994	4Y,5K (HI-CAPACITY)	12	50	27070-23001-71	100211-6970	210-7018	Available in Reman Only
1986-1989	4P, 4Y	12	35	27060-78001-71	100211-1662	210-7002	To 3/89. Available in Reman Only
1989	4P, 4Y	12	35	27060-78003-71	100211-4540	210-7000	From 3/89. Available in Reman Only
42-5FG18							
1989-Up	4P,4Y (HI-CAPACITY)	12	50	27070-23001-71	100211-6970	210-7018	Available in Reman Only
1989-1994	4Y, 5K	12	35	27060-78003-71	100211-4540	210-7000	Available in Reman Only



YEAR	ENGINE	VOLTS	AMPS	OEM PART NUMBER	NEW PART NUMBER	REMAN PART NUMBER	APPLICATION INFORMATION
TOYOTA (continued)							
42-5FG18 (continued)							
1989-1994	4Y,5K (HI-CAPACITY)	12	50	27070-23001-71	100211-6970	210-7018	Available in Reman Only
1986-1989	4P,4Y	12	35	27060-78001-71	100211-1662	210-7002	To 3/89. Available in Reman Only
1989	4P,4Y	12	35	27060-78003-71	100211-4540	210-7000	From 3/89. Available in Reman Only
42-5FG20							
1989-Up	4P,4Y (HI-CAPACITY)	12	50	27070-23001-71	100211-6970	210-7018	Available in Reman Only
1989-1994	4Y, 5K	12	35	27060-78003-71	100211-4540	210-7000	Available in Reman Only
1989-1994	4Y,5K (HI-CAPACITY)	12	50	27070-23001-71	100211-6970	210-7018	Available in Reman Only
1986-1989	4P, 4Y	12	35	27060-78001-71	100211-1662	210-7002	To 3/89. Available in Reman Only
1989	4P, 4Y	12	35	27060-78003-71	100211-4540	210-7000	From 3/89. Available in Reman Only
42-5FG23							
1989-Up	4P,4Y (HI-CAPACITY)	12	50	27070-23001-71	100211-6970	210-7018	Available in Reman Only
1989-1994	4Y, 5K	12	35	27060-78003-71	100211-4540	210-7000	Available in Reman Only
1989-1994	4Y,5K (HI-CAPACITY)	12	50	27070-23001-71	100211-6970	210-7018	Available in Reman Only
1986-1989	4P, 4Y	12	35	27060-78001-71	100211-1662	210-7002	To 3/89. Available in Reman Only
1989	4P, 4Y	12	35	27060-78003-71	100211-4540	210-7000	From 3/89. Available in Reman Only
42-5FG25							
1989-Up	4P,4Y (HI-CAPACITY)	12	50	27070-23001-71	100211-6970	210-7018	Available in Reman Only
1989-1994	4Y, 5K	12	35	27060-78003-71	100211-4540	210-7000	Available in Reman Only
1989-1994	4Y,5K (HI-CAPACITY)	12	50	27070-23001-71	100211-6970	210-7018	Available in Reman Only
1986-1989	4P, 4Y	12	35	27060-78001-71	100211-1662	210-7002	To 3/89. Available in Reman Only
1989	4P, 4Y	12	35	27060-78003-71	100211-4540	210-7000	From 3/89. Available in Reman Only
42-5FGF15							
1989-1994	4Y	12	35	27060-78003-71	100211-4540	210-7000	From 6/89. Available in Reman Only
1989-1994	4Y (HI-CAPACITY)	12	50	27070-23001-71	100211-6970	210-7018	Available in Reman Only
1987-1989	4Y	12	35	27060-78001-71	100211-1662	210-7002	To 6/89. Available in Reman Only
42-5FGF18							
1989-1994	4Y	12	35	27060-78003-71	100211-4540	210-7000	From 6/89. Available in Reman Only
1989-1994	4Y (HI-CAPACITY)	12	50	27070-23001-71	100211-6970	210-7018	Available in Reman Only
1987-1989	4Y	12	35	27060-78001-71	100211-1662	210-7002	To 6/89. Available in Reman Only
42-5FGF20							
1989-1994	4Y	12	35	27060-78003-71	100211-4540	210-7000	Available in Reman Only
1989-1994	4Y (HI-CAPACITY)	12	50	27070-23001-71	100211-6970	210-7018	Available in Reman Only
1987-1989	4P, 4Y	12	35	27060-78001-71	100211-1662	210-7002	Available in Reman Only
42-5FGU10							
1990-1995	4Y	12	35	27060-78003-71	100211-4540	210-7000	Available in Reman Only
1990-1995	4Y (HI-CAPACITY)	12	50	27070-23001-71	100211-6970	210-7018	Available in Reman Only
42-5FGU15							
1990-1995	4Y	12	35	27060-78003-71	100211-4540	210-7000	Available in Reman Only
1990-1995	4Y (HI-CAPACITY)	12	50	27070-23001-71	100211-6970	210-7018	Available in Reman Only
42-5FGU18							
1990-1995	4Y	12	35	27060-78003-71	100211-4540	210-7000	Available in Reman Only
1990-1995	4Y (HI-CAPACITY)	12	50	27070-23001-71	100211-6970	210-7018	Available in Reman Only
42-5FGU20							
1990-1995	4Y	12	35	27060-78003-71	100211-4540	210-7000	Available in Reman Only
1990-1995	4Y (HI-CAPACITY)	12	50	27070-23001-71	100211-6970	210-7018	Available in Reman Only



YEAR	ENGINE	VOLTS	AMPS	OEM PART NUMBER	NEW PART NUMBER	REMAN PART NUMBER	APPLICATION INFORMATION
TOYOTA (continued)							
42-5FGU25							
1990-1995	4Y	12	35	27060-78003-71	100211-4540	210-7000	Available in Reman Only
1990-1995	4Y (HI-CAPACITY)	12	50	27070-23001-71	100211-6970	210-7018	Available in Reman Only
42-6FG10							
1994-1996	4Y, 5K	12	35	27060-78003-71	100211-4540	210-7000	Available in Reman Only
1994-1996	4Y,5K (HI-CAPACITY)	12	50	27070-23001-71	100211-6970	210-7018	Available in Reman Only
42-6FG14							
1994-1996	4Y, 5K	12	35	27060-78003-71	100211-4540	210-7000	Available in Reman Only
1994-1996	4Y,5K (HI-CAPACITY)	12	50	27070-23001-71	100211-6970	210-7018	Available in Reman Only
42-6FG15							
1994-1996	4Y, 5K	12	35	27060-78003-71	100211-4540	210-7000	Available in Reman Only
1994-1996	4Y,5K (HI-CAPACITY)	12	50	27070-23001-71	100211-6970	210-7018	Available in Reman Only
42-6FG18							
1994-1996	4Y, 5K	12	35	27060-78003-71	100211-4540	210-7000	Available in Reman Only
1994-1996	4Y,5K (HI-CAPACITY)	12	50	27070-23001-71	100211-6970	210-7018	Available in Reman Only
42-6FG20							
1993-1996	4Y, 5K	12	35	27060-78003-71	100211-4540	210-7000	Available in Reman Only
1993-1996	4Y,5K (HI-CAPACITY)	12	50	27070-23001-71	100211-6970	210-7018	Available in Reman Only
42-6FG23							
1993-1996	4Y, 5K	12	35	27060-78003-71	100211-4540	210-7000	Available in Reman Only
1993-1996	4Y,5K (HI-CAPACITY)	12	50	27070-23001-71	100211-6970	210-7018	Available in Reman Only
42-6FG25							
1993-1996	4Y, 5K	12	35	27060-78003-71	100211-4540	210-7000	Available in Reman Only
1993-1996	4Y,5K (HI-CAPACITY)	12	50	27070-23001-71	100211-6970	210-7018	Available in Reman Only
42-6FGA20							
1994-1996	4Y	12	35	27060-78003-71	100211-4540	210-7000	Available in Reman Only
42-6FGA25							
1994-1996	4Y	12	35	27060-78003-71	100211-4540	210-7000	Available in Reman Only
42-6FGCU15							
1995-1998	* (HI-CAPACITY)	12	50	27070-23001-71	100211-6970	210-7018	Available in Reman Only
1995-2000	4Y	12	35	27060-78003-71	100211-4540	210-7000	Available in Reman Only
42-6FGCU18							
1995-1998	* (HI-CAPACITY)	12	50	27070-23001-71	100211-6970	210-7018	Available in Reman Only
1995-2000	4Y	12	35	27060-78003-71	100211-4540	210-7000	Available in Reman Only
42-6FGCU20							
1995-1999	4Y	12	35	27060-78003-71	100211-4540	210-7000	Available in Reman Only
1995-1998	* (HI-CAPACITY)	12	50	27070-23001-71	100211-6970	210-7018	Available in Reman Only
42-6FGCU25							
1995-1999	4Y	12	35	27060-78003-71	100211-4540	210-7000	Available in Reman Only
1995-1998	* (HI-CAPACITY)	12	50	27070-23001-71	100211-6970	210-7018	Available in Reman Only
42-6FGCU30							
1995-1999	4Y	12	35	27060-78003-71	100211-4540	210-7000	Available in Reman Only
1995-1998	* (HI-CAPACITY)	12	50	27070-23001-71	100211-6970	210-7018	Available in Reman Only
42-6FGF15							
1994-1999	4Y	12	35	27060-78003-71	100211-4540	210-7000	Available in Reman Only

ALTERNATOR APPLICATIONS



YEAR	ENGINE	VOLTS	AMPS	OEM PART NUMBER	NEW PART NUMBER	REMAN PART NUMBER	APPLICATION INFORMATION
TOYOTA (continued)							
42-6FGF15 (continued)							
1994-1998	4Y (HI-CAPACITY)	12	50	27070-23001-71	100211-6970	210-7018	Available in Reman Only
42-6FGF18							
1994-1999	4Y	12	35	27060-78003-71	100211-4540	210-7000	Available in Reman Only
1994-1998	4Y (HI-CAPACITY)	12	50	27070-23001-71	100211-6970	210-7018	Available in Reman Only
42-6FGF20							
1994-1999	4Y	12	35	27060-78003-71	100211-4540	210-7000	Available in Reman Only
1994-1998	4Y (HI-CAPACITY)	12	50	27070-23001-71	100211-6970	210-7018	Available in Reman Only
42-6FGF25							
1994-1999	4Y	12	35	27060-78003-71	100211-4540	210-7000	Available in Reman Only
1994-1998	4Y (HI-CAPACITY)	12	50	27070-23001-71	100211-6970	210-7018	Available in Reman Only
42-6FGU15							
1995-1999	4Y	12	35	27060-78003-71	100211-4540	210-7000	Available in Reman Only
1995-1998	4Y (HI-CAPACITY)	12	50	27070-23001-71	100211-6970	210-7018	Available in Reman Only
42-6FGU18							
1995-1999	4Y	12	35	27060-78003-71	100211-4540	210-7000	Available in Reman Only
1995-1998	4Y (HI-CAPACITY)	12	50	27070-23001-71	100211-6970	210-7018	Available in Reman Only
42-6FGU20							
1995-1999	4Y, GM4181	12	35	27060-78003-71	100211-4540	210-7000	Available in Reman Only
1995-1998	4Y,GM4181 (HI-CAPACITY)	12	50	27070-23001-71	100211-6970	210-7018	Available in Reman Only
42-6FGU25							
1995-1999	4Y, GM4181	12	35	27060-78003-71	100211-4540	210-7000	Available in Reman Only
1995-1998	4Y,GM4181 (HI-CAPACITY)	12	50	27070-23001-71	100211-6970	210-7018	Available in Reman Only
42-7FG15							
1998-2003	4Y,5K (HI-CAPACITY)	12	60	27060-78154-71	102211-5200	210-7013	Available in Reman Only
1998-2000	4Y, 5K	12	50	27060-78153-71	101211-3580	210-7007	Available in Reman Only
2003-Up	4Y,5K	12	50	27060-78158-71	101211-8700	210-7022	Available in Reman Only
2000-2001	4Y,5K	12	50	27060-78156-71	101211-8580	210-7022	Available in Reman Only
42-7FG18							
1998-2003	4Y,5K (HI-CAPACITY)	12	60	27060-78154-71	102211-5200	210-7013	Available in Reman Only
1998-2000	4Y, 5K	12	50	27060-78153-71	101211-3580	210-7007	Available in Reman Only
2003-Up	4Y,5K	12	50	27060-78158-71	101211-8700	210-7022	Available in Reman Only
2000-2001	4Y,5K	12	50	27060-78156-71	101211-8580	210-7022	Available in Reman Only
42-7FG20							
1998-2003	4Y,5K (HI-CAPACITY)	12	60	27060-78154-71	102211-5200	210-7013	Available in Reman Only
1998-2000	4Y, 5K	12	50	27060-78153-71	101211-3580	210-7007	Available in Reman Only
2003-Up	4Y,5K	12	50	27060-78158-71	101211-8700	210-7022	Available in Reman Only
2000-2001	4Y,5K	12	50	27060-78156-71	101211-8580	210-7022	Available in Reman Only
42-7FG25							
1998-2003	4Y,5K (HI-CAPACITY)	12	60	27060-78154-71	102211-5200	210-7013	Available in Reman Only
1998-2000	4Y, 5K	12	50	27060-78153-71	101211-3580	210-7007	Available in Reman Only
2003-Up	4Y,5K	12	50	27060-78158-71	101211-8700	210-7022	Available in Reman Only
2000-2001	4Y,5K	12	50	27060-78156-71	101211-8580	210-7022	Available in Reman Only
42-7FGF15							
1999-2000	4Y	12	50	27060-78153-71	101211-3580	210-7007	Available in Reman Only
2002-Up	4Y (4Y-ECS..HI-CAPACITY)	12	60	27060-78154-71	102211-5200	210-7013	Available in Reman Only



YEAR	ENGINE	VOLTS	AMPS	OEM PART NUMBER	NEW PART NUMBER	REMAN PART NUMBER	APPLICATION INFORMATION
TOYOTA (continued)							
42-7FGF15 (continued)							
2000-2001	4Y	12	50	27060-78156-71	101211-8700	210-7022	Available in Reman Only
1996	4Y (HI-CAPACITY)	12	60	27060-78154-71	102211-5200	210-7013	Available in Reman Only
42-7FGF18							
1999-2000	4Y	12	50	27060-78153-71	101211-3580	210-7007	Available in Reman Only
2002-Up	4Y (4Y-ECS..HI-CAPACITY)	12	60	27060-78154-71	102211-5200	210-7013	Available in Reman Only
2000-2001	4Y	12	50	27060-78156-71	101211-8700	210-7022	Available in Reman Only
1996	4Y (HI-CAPACITY)	12	60	27060-78154-71	102211-5200	210-7013	Available in Reman Only
42-7FGF20							
1999-2000	4Y	12	50	27060-78153-71	101211-3580	210-7007	Available in Reman Only
2002-Up	4Y (4Y-ECS..HI-CAPACITY)	12	60	27060-78154-71	102211-5200	210-7013	Available in Reman Only
2000-2001	4Y	12	50	27060-78156-71	101211-8700	210-7022	Available in Reman Only
1996	4Y (HI-CAPACITY)	12	60	27060-78154-71	102211-5200	210-7013	Available in Reman Only
42-7FGF25							
1999-2000	4Y	12	50	27060-78153-71	101211-3580	210-7007	Available in Reman Only
2002-Up	4Y (4Y-ECS..HI-CAPACITY)	12	60	27060-78154-71	102211-5200	210-7013	Available in Reman Only
2000-2001	4Y	12	50	27060-78156-71	101211-8700	210-7022	Available in Reman Only
1996	4Y (HI-CAPACITY)	12	60	27060-78154-71	102211-5200	210-7013	Available in Reman Only
42-7FGK20							
1998-2003	4Y,5K (HI-CAPACITY)	12	60	27060-78154-71	102211-5200	210-7013	Available in Reman Only
1998-2000	4Y, 5K	12	50	27060-78153-71	101211-3580	210-7007	Available in Reman Only
2003-Up	4Y,5K	12	50	27060-78158-71	101211-8700	210-7022	Available in Reman Only
2000-2001	4Y,5K	12	50	27060-78156-71	101211-8580	210-7022	Available in Reman Only
42-7FGK25							
1998-2003	4Y,5K (HI-CAPACITY)	12	60	27060-78154-71	102211-5200	210-7013	Available in Reman Only
1998-2000	4Y, 5K	12	50	27060-78153-71	101211-3580	210-7007	Available in Reman Only
2003-Up	4Y,5K	12	50	27060-78158-71	101211-8700	210-7022	Available in Reman Only
2000-2001	4Y,5K	12	50	27060-78156-71	101211-8580	210-7022	Available in Reman Only
42-7FGN15							
2003-Up	4Y	12	50	27060-78158-71	101211-8580	210-7022	Available in Reman Only
42-7FGN20							
2003-Up	4Y	12	50	27060-78158-71	101211-8580	210-7022	Available in Reman Only
42-7FGN25							
2003-Up	4Y	12	50	27060-78158-71	101211-8580	210-7022	Available in Reman Only
42-FG18							
1978-1986	4P,5R	12	30	27020-76003-71	021000-5601	210-7025	Available in Reman Only
42-FG23							
1978-1986	4P,5R	12	30	27020-76003-71	021000-5601	210-7025	Available in Reman Only
42-FGC18							
1980-1988	4P,5R	12	30	27020-76003-71	021000-5601	210-7025	Available in Reman Only
42-FGC23							
1980-1988	4P,5R	12	30	27020-76003-71	021000-5601	210-7025	Available in Reman Only
4FD20							
1978-1986	2J, 2JT	24	15	27020-78601-71	021000-4510	210-7004	Available in Reman Only



YEAR	ENGINE	VOLTS	AMPS	OEM PART NUMBER	NEW PART NUMBER	REMAN PART NUMBER	APPLICATION INFORMATION
TOYOTA (continued)							
4FD23							
1978-1986	2J, 2JT	24	15	27020-78601-71	021000-4510	210-7004	Available in Reman Only
4FD25							
1978-1986	2J, 2JT	24	15	27020-78601-71	021000-4510	210-7004	Available in Reman Only
4FG10							
1978-1986	4P,5R	12	30	27020-76003-71	021000-5601	210-7025	Available in Reman Only
4FG14							
1978-1986	4P,5R	12	30	27020-76003-71	021000-5601	210-7025	Available in Reman Only
4FG15							
1978-1986	4P,5R	12	30	27020-76003-71	021000-5601	210-7025	Available in Reman Only
4FG18							
1978-1986	4P,5R	12	30	27020-76003-71	021000-5601	210-7025	Available in Reman Only
4FG20							
1978-1986	4P,5R	12	30	27020-76003-71	021000-5601	210-7025	Available in Reman Only
4FG23							
1978-1986	4P,5R	12	30	27020-76003-71	021000-5601	210-7025	Available in Reman Only
4FG25							
1978-1986	4P,5R	12	30	27020-76003-71	021000-5601	210-7025	Available in Reman Only
4FGC20							
1980-1988	4P,5R	12	30	27020-76003-71	021000-5601	210-7025	Available in Reman Only
4FGC25							
1980-1988	4P,5R	12	30	27020-76003-71	021000-5601	210-7025	Available in Reman Only
4SDK8							
1997-Up	1DZ	12	40	27060-78305-71	100211-6931	210-7001	Available in Reman Only
4SDK10							
1997-Up	2Z	12	40	27060-78305-71	100211-6931	210-7001	Available in Reman Only
50-3FD28							
1978-1986	2J, 2JT	24	15	27020-78601-71	021000-4510	210-7004	Available in Reman Only
50-3FD30							
1978-1986	2J, 2JT	24	15	27020-78601-71	021000-4510	210-7004	Available in Reman Only
50-4FD20							
1978-1986	2J, 2JT	24	15	27020-78601-71	021000-4510	210-7004	Available in Reman Only
50-4FD23							
1978-1986	2J, 2JT	24	15	27020-78601-71	021000-4510	210-7004	Available in Reman Only
50-4FD25							
1978-1986	2J, 2JT	24	15	27020-78601-71	021000-4510	210-7004	Available in Reman Only
52-3FD28							
1978-1986	2J, 2JT	24	15	27020-78601-71	021000-4510	210-7004	Available in Reman Only
52-3FD30							
1978-1986	2J, 2JT	24	15	27020-78601-71	021000-4510	210-7004	Available in Reman Only
52-4FD20							
1978-1986	2J, 2JT	24	15	27020-78601-71	021000-4510	210-7004	Available in Reman Only



YEAR	ENGINE	VOLTS	AMPS	OEM PART NUMBER	NEW PART NUMBER	REMAN PART NUMBER	APPLICATION INFORMATION
TOYOTA (continued)							
52-4FD23							
1978-1986	2J, 2JT	24	15	27020-78601-71	021000-4510	210-7004	Available in Reman Only
52-4FD25							
1978-1986	2J, 2JT	24	15	27020-78601-71	021000-4510	210-7004	Available in Reman Only
52-6FG33							
1996-1999	GM6-262	12	50	27070-31720-71	101211-3400	210-7021	Available in Reman Only
52-6FG35							
1996-1999	GM6-262	12	50	27070-31720-71	101211-3400	210-7021	Available in Reman Only
52-6FG40							
1996-1999	GM6-262	12	50	27070-31720-71	101211-3400	210-7021	Available in Reman Only
52-6FG45							
1996-1999	GM6-262	12	50	27070-31720-71	101211-3400	210-7021	Available in Reman Only
52-6FGA50							
1996-1999	GM6-262	12	50	27070-31720-71	101211-3400	210-7021	Available in Reman Only
52-6FGAU50							
1997-2000	GM6-262	12	50	27070-31720-71	101211-3400	210-7021	Available in Reman Only
52-6FGCU20							
1998-1999	GM4181 (HI-CAPACITY)	12	50	27070-23001-71	100211-6970	210-7018	Available in Reman Only
1995-1999	GM4181	12	35	27060-78003-71	100211-4540	210-7000	Available in Reman Only
1995-1998	* (HI-CAPACITY)	12	50	27070-23001-71	100211-6970	210-7018	Available in Reman Only
52-6FGCU25							
1998-1999	GM4181 (HI-CAPACITY)	12	50	27070-23001-71	100211-6970	210-7018	Available in Reman Only
1995-1999	GM4181	12	35	27060-78003-71	100211-4540	210-7000	Available in Reman Only
1995-1998	* (HI-CAPACITY)	12	50	27070-23001-71	100211-6970	210-7018	Available in Reman Only
52-6FGCU30							
1998-1999	GM4181 (HI-CAPACITY)	12	50	27070-23001-71	100211-6970	210-7018	Available in Reman Only
1995-1999	GM4181	12	35	27060-78003-71	100211-4540	210-7000	Available in Reman Only
1995-1998	* (HI-CAPACITY)	12	50	27070-23001-71	100211-6970	210-7018	Available in Reman Only
52-6FGCU33							
1997-2000		12	50	27070-31720-71	101211-3400	210-7021	Available in Reman Only
52-6FGCU35							
1997-2000		12	50	27070-31720-71	101211-3400	210-7021	Available in Reman Only
52-6FGCU45							
1997-2000		12	50	27070-31720-71	101211-3400	210-7021	Available in Reman Only
52-6FGE35							
1996-1999	GM6-262	12	50	27070-31720-71	101211-3400	210-7021	Available in Reman Only
52-6FGU20							
1998-1999	GM4181 (HI-CAPACITY)	12	50	27070-23001-71	100211-6970	210-7018	Available in Reman Only
1995-1999	4Y, GM4181	12	35	27060-78003-71	100211-4540	210-7000	Available in Reman Only
1995-1998	4Y, GM4181 (HI-CAPACITY)	12	50	27070-23001-71	100211-6970	210-7018	Available in Reman Only
52-6FGU25							
1998-1999	GM4181 (HI-CAPACITY)	12	50	27070-23001-71	100211-6970	210-7018	Available in Reman Only
1995-1999	4Y, GM4181	12	35	27060-78003-71	100211-4540	210-7000	Available in Reman Only
1995-1998	4Y, GM4181 (HI-CAPACITY)	12	50	27070-23001-71	100211-6970	210-7018	Available in Reman Only



YEAR	ENGINE	VOLTS	AMPS	OEM PART NUMBER	NEW PART NUMBER	REMAN PART NUMBER	APPLICATION INFORMATION
TOYOTA (continued)							
52-6FGU30							
1998-1999	GM4181 (HI-CAPACITY)	12	50	27070-23001-71	100211-6970	210-7018	Available in Reman Only
1995-1999	4Y, GM4181	12	35	27060-78003-71	100211-4540	210-7000	Available in Reman Only
1995-1998	4Y, GM4181 (HI-CAPACITY)	12	50	27070-23001-71	100211-6970	210-7018	Available in Reman Only
52-6FGU33							
1997-2000	GM6-262	12	50	27070-31720-71	101211-3400	210-7021	Available in Reman Only
52-6FGU35							
1997-2000	GM6-262	12	50	27070-31720-71	101211-3400	210-7021	Available in Reman Only
52-6FGU40							
1997-2000	GM6-262	12	50	27070-31720-71	101211-3400	210-7021	Available in Reman Only
52-6FGU45							
1997-2000	GM6-262	12	50	27070-31720-71	101211-3400	210-7021	Available in Reman Only
5FD10							
1989-1994	1DZ	12	40	27060-78305-71	100211-6931	210-7001	Available in Reman Only
1989-1994	1DZ (HI-CAPACITY)	12	50	27070-23041-71	100211-6961	210-7019	Available in Reman Only
1986-1989	2J	12	40	27060-78301-71	100211-4004	210-7003	To 3/89. Available in Reman Only
1989	2J	12	40	27060-78305-71	100211-6931	210-7001	From 3/89. Available in Reman Only
1989	2J (HI-CAPACITY)	12	50	27070-23041-71	100211-6961	210-7019	Available in Reman Only
5FD14							
1989-1994	1DZ	12	40	27060-78305-71	100211-6931	210-7001	Available in Reman Only
1989-1994	1DZ (HI-CAPACITY)	12	50	27070-23041-71	100211-6961	210-7019	Available in Reman Only
1986-1989	2J	12	40	27060-78301-71	100211-4004	210-7003	To 3/89. Available in Reman Only
1989	2J	12	40	27060-78305-71	100211-6931	210-7001	From 3/89. Available in Reman Only
1989	2J (HI-CAPACITY)	12	50	27070-23041-71	100211-6961	210-7019	Available in Reman Only
5FD15							
1989-1994	1DZ (HI-CAPACITY)	12	50	27070-23041-71	100211-6961	210-7019	Available in Reman Only
1986-1989	2J	12	40	27060-78301-71	100211-4004	210-7003	To 3/89. Available in Reman Only
1989	2J	12	40	27060-78305-71	100211-6931	210-7001	From 3/89. Available in Reman Only
1989	2J (HI-CAPACITY)	12	50	27070-23041-71	100211-6961	210-7019	Available in Reman Only
5FD18							
1989-1994	1DZ	12	40	27060-78305-71	100211-6931	210-7001	Available in Reman Only
1989-1994	1DZ (HI-CAPACITY)	12	50	27070-23041-71	100211-6961	210-7019	Available in Reman Only
1986-1989	2J	12	40	27060-78301-71	100211-4004	210-7003	To 3/89. Available in Reman Only
1989	2J	12	40	27060-78305-71	100211-6931	210-7001	From 3/89. Available in Reman Only
1989	2J (HI-CAPACITY)	12	50	27070-23041-71	100211-6961	210-7019	Available in Reman Only
5FD20							
1989-1994	1Z	12	40	27060-78305-71	100211-6931	210-7001	From 3/89. Available in Reman Only
1989-1994	1Z (HI-CAPACITY)	12	50	27070-23041-71	100211-6961	210-7019	Available in Reman Only
1986-1989	1Z	12	40	27060-78301-71	100211-4004	210-7003	To 3/89. Available in Reman Only
5FD23							
1989-1994	1Z	12	40	27060-78305-71	100211-6931	210-7001	From 3/89. Available in Reman Only
1989-1994	1Z (HI-CAPACITY)	12	50	27070-23041-71	100211-6961	210-7019	Available in Reman Only
1986-1989	1Z	12	40	27060-78301-71	100211-4004	210-7003	To 3/89. Available in Reman Only
5FD25							
1989-1994	1Z	12	40	27060-78305-71	100211-6931	210-7001	From 3/89. Available in Reman Only
1989-1994	1Z (HI-CAPACITY)	12	50	27070-23041-71	100211-6961	210-7019	Available in Reman Only



YEAR	ENGINE	VOLTS	AMPS	OEM PART NUMBER	NEW PART NUMBER	REMAN PART NUMBER	APPLICATION INFORMATION
TOYOTA (continued)							
5FD25 (continued)							
1986-1989	1Z	12	40	27060-78301-71	100211-4004	210-7003	To 3/89. Available in Reman Only
5FD28							
1989-1994	1Z	12	40	27060-78305-71	100211-6931	210-7001	From 3/89. Available in Reman Only
1989-1994	1Z (HI-CAPACITY)	12	50	27070-23041-71	100211-6961	210-7019	Available in Reman Only
1986-1989	1Z	12	40	27060-78301-71	100211-4004	210-7003	To 3/89. Available in Reman Only
5FD30							
1989-1994	1Z	12	40	27060-78305-71	100211-6931	210-7001	From 3/89. Available in Reman Only
1989-1994	1Z (HI-CAPACITY)	12	50	27070-23041-71	100211-6961	210-7019	Available in Reman Only
1986-1989	1Z	12	40	27060-78301-71	100211-4004	210-7003	To 3/89. Available in Reman Only
5FD33							
1989-1996	11Z	12	40	27060-78305-71	100211-6931	210-7001	From 3/89. Available in Reman Only
1989-1996	11Z (HI-CAPACITY)	12	50	27070-23041-71	100211-6961	210-7019	Available in Reman Only
1988-1989	11Z	12	40	27060-78301-71	100211-4004	210-7003	To 3/89. Available in Reman Only
5FD35							
1989-1996	11Z	12	40	27060-78305-71	100211-6931	210-7001	From 3/89. Available in Reman Only
1989-1996	11Z (HI-CAPACITY)	12	50	27070-23041-71	100211-6961	210-7019	Available in Reman Only
1988-1989	11Z	12	40	27060-78301-71	100211-4004	210-7003	To 3/89. Available in Reman Only
5FD38							
1989-1996	11Z	12	40	27060-78305-71	100211-6931	210-7001	From 3/89. Available in Reman Only
1989-1996	11Z (HI-CAPACITY)	12	50	27070-23041-71	100211-6961	210-7019	Available in Reman Only
1988-1989	11Z	12	40	27060-78301-71	100211-4004	210-7003	To 3/89. Available in Reman Only
5FD40							
1989-1996	11Z	12	40	27060-78305-71	100211-6931	210-7001	From 3/89. Available in Reman Only
1989-1996	11Z (HI-CAPACITY)	12	50	27070-23041-71	100211-6961	210-7019	Available in Reman Only
1988-1989	11Z	12	40	27060-78301-71	100211-4004	210-7003	To 3/89. Available in Reman Only
5FD45							
1989-1996	11Z	12	40	27060-78305-71	100211-6931	210-7001	From 3/89. Available in Reman Only
1989-1996	11Z (HI-CAPACITY)	12	50	27070-23041-71	100211-6961	210-7019	Available in Reman Only
1988-1989	11Z	12	40	27060-78301-71	100211-4004	210-7003	To 3/89. Available in Reman Only
5FDA50							
1989-1996	11Z	12	40	27060-78305-71	100211-6931	210-7001	Available in Reman Only
1989-1996	11Z (HI-CAPACITY)	12	50	27070-23041-71	100211-6961	210-7019	Available in Reman Only
5FDC20							
1989-1993	2J	12	40	27060-78305-71	100211-6931	210-7001	From 3/89. Available in Reman Only
1989-1993	2J (HI-CAPACITY)	12	50	27070-23041-71	100211-6961	210-7019	Available in Reman Only
1988-1989	2J	12	40	27060-78301-71	100211-4004	210-7003	To 3/89. Available in Reman Only
5FDC25							
1989-1993	2J	12	40	27060-78305-71	100211-6931	210-7001	From 3/89. Available in Reman Only
1989-1993	2J (HI-CAPACITY)	12	50	27070-23041-71	100211-6961	210-7019	Available in Reman Only
1988-1989	2J	12	40	27060-78301-71	100211-4004	210-7003	To 3/89. Available in Reman Only
5FDC30							
1989-1993	2J	12	40	27060-78305-71	100211-6931	210-7001	From 3/89. Available in Reman Only
1989-1993	2J (HI-CAPACITY)	12	50	27070-23041-71	100211-6961	210-7019	Available in Reman Only
1988-1989	2J	12	40	27060-78301-71	100211-4004	210-7003	To 3/89. Available in Reman Only



YEAR	ENGINE	VOLTS	AMPS	OEM PART NUMBER	NEW PART NUMBER	REMAN PART NUMBER	APPLICATION INFORMATION
TOYOTA (continued)							
5FDCU20							
1990-1995	2J	12	40	27060-78305-71	100211-6931	210-7001	Available in Reman Only
1990-1995	2J (HI-CAPACITY)	12	50	27070-23041-71	100211-6961	210-7019	Available in Reman Only
5FDCU25							
1990-1995	2J	12	40	27060-78305-71	100211-6931	210-7001	Available in Reman Only
1990-1995	2J (HI-CAPACITY)	12	50	27070-23041-71	100211-6961	210-7019	Available in Reman Only
5FDCU30							
1990-1995	2J	12	40	27060-78305-71	100211-6931	210-7001	Available in Reman Only
1990-1995	2J (HI-CAPACITY)	12	50	27070-23041-71	100211-6961	210-7019	Available in Reman Only
5FDE35							
1989-1996	11Z	12	40	27060-78305-71	100211-6931	210-7001	From 3/89. Available in Reman Only
1989-1996	11Z (HI-CAPACITY)	12	50	27070-23041-71	100211-6961	210-7019	Available in Reman Only
1988-1989	11Z	12	40	27060-78301-71	100211-4004	210-7003	To 3/89. Available in Reman Only
5FDF15							
1989-1994	1DZ	12	40	27060-78305-71	100211-6931	210-7001	Available in Reman Only
1989-1994	1DZ (HI-CAPACITY)	12	50	27070-23041-71	100211-6961	210-7019	Available in Reman Only
1987-1989	2J	12	40	27060-78301-71	100211-4004	210-7003	To 6/89. Available in Reman Only
1989	2J	12	40	27060-78305-71	100211-6931	210-7001	From 6/89. Available in Reman Only
1989	2J (HI-CAPACITY)	12	50	27070-23041-71	100211-6961	210-7019	Available in Reman Only
5FDF18							
1989-1994	1DZ	12	40	27060-78305-71	100211-6931	210-7001	Available in Reman Only
1989-1994	1DZ (HI-CAPACITY)	12	50	27070-23041-71	100211-6961	210-7019	Available in Reman Only
1987-1989	2J	12	40	27060-78301-71	100211-4004	210-7003	To 6/89. Available in Reman Only
1989	2J	12	40	27060-78305-71	100211-6931	210-7001	From 6/89. Available in Reman Only
1989	2J (HI-CAPACITY)	12	50	27070-23041-71	100211-6961	210-7019	Available in Reman Only
5FDF20							
1989-1994	1Z	12	40	27060-78305-71	100211-6931	210-7001	From 6/89. Available in Reman Only
1989-1994	1Z (HI-CAPACITY)	12	50	27070-23041-71	100211-6961	210-7019	Available in Reman Only
1987-1989	1Z	12	40	27060-78301-71	100211-4004	210-7003	To 6/89. Available in Reman Only
5FG10							
1989-Up	4P,4Y (HI-CAPACITY)	12	50	27070-23001-71	100211-6970	210-7018	Available in Reman Only
1989-1994	4Y, 5K	12	35	27060-78003-71	100211-4540	210-7000	Available in Reman Only
1989-1994	4Y,5K (HI-CAPACITY)	12	50	27070-23001-71	100211-6970	210-7018	Available in Reman Only
1986-1989	4P, 4Y	12	35	27060-78001-71	100211-1662	210-7002	To 3/89. Available in Reman Only
1989	4P, 4Y	12	35	27060-78003-71	100211-4540	210-7000	From 3/89. Available in Reman Only
5FG14							
1989-Up	4P,4Y (HI-CAPACITY)	12	50	27070-23001-71	100211-6970	210-7018	Available in Reman Only
1989-1994	4Y, 5K	12	35	27060-78003-71	100211-4540	210-7000	Available in Reman Only
1989-1994	4Y,5K (HI-CAPACITY)	12	50	27070-23001-71	100211-6970	210-7018	Available in Reman Only
1986-1989	4P, 4Y	12	35	27060-78001-71	100211-1662	210-7002	To 3/89. Available in Reman Only
1989	4P, 4Y	12	35	27060-78003-71	100211-4540	210-7000	From 3/89. Available in Reman Only
5FG15							
1989-Up	4P,4Y (HI-CAPACITY)	12	50	27070-23001-71	100211-6970	210-7018	Available in Reman Only
1989-1994	4Y, 5K	12	35	27060-78003-71	100211-4540	210-7000	Available in Reman Only
1989-1994	4Y,5K (HI-CAPACITY)	12	50	27070-23001-71	100211-6970	210-7018	Available in Reman Only
1986-1989	4P, 4Y	12	35	27060-78001-71	100211-1662	210-7002	To 3/89. Available in Reman Only
1989	4P, 4Y	12	35	27060-78003-71	100211-4540	210-7000	From 3/89. Available in Reman Only



YEAR	ENGINE	VOLTS	AMPS	OEM PART NUMBER	NEW PART NUMBER	REMAN PART NUMBER	APPLICATION INFORMATION
TOYOTA (continued)							
5FG18							
1989-Up	4P,4Y (HI-CAPACITY)	12	50	27070-23001-71	100211-6970	210-7018	Available in Reman Only
1989-1994	4Y, 5K	12	35	27060-78003-71	100211-4540	210-7000	Available in Reman Only
1989-1994	4Y,5K (HI-CAPACITY)	12	50	27070-23001-71	100211-6970	210-7018	Available in Reman Only
1986-1989	4P, 4Y	12	35	27060-78001-71	100211-1662	210-7002	To 3/89. Available in Reman Only
1989	4P, 4Y	12	35	27060-78003-71	100211-4540	210-7000	From 3/89. Available in Reman Only
5FG20							
1989-Up	4P,4Y (HI-CAPACITY)	12	50	27070-23001-71	100211-6970	210-7018	Available in Reman Only
1989-1994	4Y, 5K	12	35	27060-78003-71	100211-4540	210-7000	Available in Reman Only
1989-1994	4Y,5K (HI-CAPACITY)	12	50	27070-23001-71	100211-6970	210-7018	Available in Reman Only
1986-1989	4P, 4Y	12	35	27060-78001-71	100211-1662	210-7002	To 3/89. Available in Reman Only
1989	4P, 4Y	12	35	27060-78003-71	100211-4540	210-7000	From 3/89. Available in Reman Only
5FG23							
1989-Up	4P,4Y (HI-CAPACITY)	12	50	27070-23001-71	100211-6970	210-7018	Available in Reman Only
1989-1994	4Y, 5K	12	35	27060-78003-71	100211-4540	210-7000	Available in Reman Only
1989-1994	4Y,5K (HI-CAPACITY)	12	50	27070-23001-71	100211-6970	210-7018	Available in Reman Only
1986-1989	4P, 4Y	12	35	27060-78001-71	100211-1662	210-7002	To 3/89. Available in Reman Only
1989	4P, 4Y	12	35	27060-78003-71	100211-4540	210-7000	From 3/89. Available in Reman Only
5FG25							
1989-Up	4P,4Y (HI-CAPACITY)	12	50	27070-23001-71	100211-6970	210-7018	Available in Reman Only
1989-1994	4Y, 5K	12	35	27060-78003-71	100211-4540	210-7000	Available in Reman Only
1989-1994	4Y,5K (HI-CAPACITY)	12	50	27070-23001-71	100211-6970	210-7018	Available in Reman Only
1986-1989	4P, 4Y	12	35	27060-78001-71	100211-1662	210-7002	To 3/89. Available in Reman Only
1989	4P, 4Y	12	35	27060-78003-71	100211-4540	210-7000	From 3/89. Available in Reman Only
5FG28							
1989-1994	4Y	12	35	27060-78003-71	100211-4540	210-7000	From 3/89. Available in Reman Only
1989-1994	4Y (HI-CAPACITY)	12	50	27070-23001-71	100211-6970	210-7018	Available in Reman Only
1986-1989	4Y	12	35	27060-78001-71	100211-1662	210-7002	To 3/89. Available in Reman Only
5FG30							
1989-1994	4Y	12	35	27060-78003-71	100211-4540	210-7000	From 3/89. Available in Reman Only
1989-1994	4Y (HI-CAPACITY)	12	50	27070-23001-71	100211-6970	210-7018	Available in Reman Only
1986-1989	4Y	12	35	27060-78001-71	100211-1662	210-7002	To 3/89. Available in Reman Only
5FG33							
1994-1996	1FZ	12	50	27060-66050	101211-3080	210-7006	Available in Reman Only
1989-1994	3F	12	40	27060-78305-71	100211-6931	210-7001	From 3/89. Available in Reman Only
1989-1994	3F (HI-CAPACITY)	12	50	27070-23041-71	100211-6961	210-7019	Available in Reman Only
1988-1989	3F	12	40	27060-78301-71	100211-4004	210-7003	To 3/89. Available in Reman Only
5FG35							
1994-1996	1FZ	12	50	27060-66050	101211-3080	210-7006	Available in Reman Only
1989-1994	3F	12	40	27060-78305-71	100211-6931	210-7001	From 3/89. Available in Reman Only
1989-1994	3F (HI-CAPACITY)	12	50	27070-23041-71	100211-6961	210-7019	Available in Reman Only
1988-1989	3F	12	40	27060-78301-71	100211-4004	210-7003	To 3/89. Available in Reman Only
5FG40							
1994-1996	1FZ	12	50	27060-66050	101211-3080	210-7006	Available in Reman Only
1989-1994	3F	12	40	27060-78305-71	100211-6931	210-7001	From 3/89. Available in Reman Only
1989-1994	3F (HI-CAPACITY)	12	50	27070-23041-71	100211-6961	210-7019	Available in Reman Only
1988-1989	3F	12	40	27060-78301-71	100211-4004	210-7003	To 3/89. Available in Reman Only

ALTERNATOR APPLICATIONS



YEAR	ENGINE	VOLTS	AMPS	OEM PART NUMBER	NEW PART NUMBER	REMAN PART NUMBER	APPLICATION INFORMATION
TOYOTA (continued)							
5FG45							
1994-1996	1FZ	12	50	27060-66050	101211-3080	210-7006	Available in Reman Only
1989-1994	3F	12	40	27060-78305-71	100211-6931	210-7001	From 3/89. Available in Reman Only
1989-1994	3F (HI-CAPACITY)	12	50	27070-23041-71	100211-6961	210-7019	Available in Reman Only
1988-1989	3F	12	40	27060-78301-71	100211-4004	210-7003	To 3/89. Available in Reman Only
5FG50							
1990-Up	3F	12	40	27060-78305-71	100211-6931	210-7001	Available in Reman Only
1990	3F (HI-CAPACITY)	12	50	27070-23041-71	100211-6961	210-7019	Available in Reman Only
5FG60							
1990-Up	3F	12	40	27060-78305-71	100211-6931	210-7001	Available in Reman Only
1990	3F (HI-CAPACITY)	12	50	27070-23041-71	100211-6961	210-7019	Available in Reman Only
5FGC10							
1989-1993	4Y	12	35	27060-78003-71	100211-4540	210-7000	From 3/89. Available in Reman Only
1989-1993	* (HI-CAPACITY)	12	50	27070-23001-71	100211-6970	210-7018	Available in Reman Only
1988-1989	4Y	12	35	27060-78001-71	100211-1662	210-7002	To 3/89. Available in Reman Only
5FGC13							
1989-1993	4Y	12	35	27060-78003-71	100211-4540	210-7000	From 3/89. Available in Reman Only
1989-1993	* (HI-CAPACITY)	12	50	27070-23001-71	100211-6970	210-7018	Available in Reman Only
1988-1989	4Y	12	35	27060-78001-71	100211-1662	210-7002	To 3/89. Available in Reman Only
5FGC15							
1989-1993	4Y	12	35	27060-78003-71	100211-4540	210-7000	From 3/89. Available in Reman Only
1989-1993	* (HI-CAPACITY)	12	50	27070-23001-71	100211-6970	210-7018	Available in Reman Only
1988-1989	4Y	12	35	27060-78001-71	100211-1662	210-7002	To 3/89. Available in Reman Only
5FGC18							
1989-1993	4Y	12	35	27060-78003-71	100211-4540	210-7000	From 3/89. Available in Reman Only
1989-1993	4Y (HI-CAPACITY)	12	50	27070-23001-71	100211-6970	210-7018	Available in Reman Only
1988-1989	4Y	12	35	27060-78001-71	100211-1662	210-7002	To 3/89. Available in Reman Only
5FGC20							
1989-1993	4Y	12	35	27060-78003-71	100211-4540	210-7000	From 3/89. Available in Reman Only
1989-1993	4Y (HI-CAPACITY)	12	50	27070-23001-71	100211-6970	210-7018	Available in Reman Only
1988-1989	4Y	12	35	27060-78001-71	100211-1662	210-7002	To 3/89. Available in Reman Only
5FGC23							
1989-1993	4Y	12	35	27060-78003-71	100211-4540	210-7000	From 3/89. Available in Reman Only
1989-1993	4Y (HI-CAPACITY)	12	50	27070-23001-71	100211-6970	210-7018	Available in Reman Only
1988-1989	4Y	12	35	27060-78001-71	100211-1662	210-7002	To 3/89. Available in Reman Only
5FGC25							
1989-1993	4Y	12	35	27060-78003-71	100211-4540	210-7000	From 3/89. Available in Reman Only
1989-1993	4Y (HI-CAPACITY)	12	50	27070-23001-71	100211-6970	210-7018	Available in Reman Only
1988-1989	4Y	12	35	27060-78001-71	100211-1662	210-7002	To 3/89. Available in Reman Only
5FGC28							
1989-1993	4Y	12	35	27060-78003-71	100211-4540	210-7000	From 3/89. Available in Reman Only
1989-1993	4Y (HI-CAPACITY)	12	50	27070-23001-71	100211-6970	210-7018	Available in Reman Only
1988-1989	4Y	12	35	27060-78001-71	100211-1662	210-7002	To 3/89. Available in Reman Only
5FGC30							
1989-1993	4Y	12	35	27060-78003-71	100211-4540	210-7000	From 3/89. Available in Reman Only
1989-1993	4Y (HI-CAPACITY)	12	50	27070-23001-71	100211-6970	210-7018	Available in Reman Only



YEAR	ENGINE	VOLTS	AMPS	OEM PART NUMBER	NEW PART NUMBER	REMAN PART NUMBER	APPLICATION INFORMATION
TOYOTA (continued)							
5FGC30 (continued)							
1988-1989	4Y	12	35	27060-78001-71	100211-1662	210-7002	To 3/89. Available in Reman Only
5FGCU10							
1991-1995	4Y	12	35	27060-78003-71	100211-4540	210-7000	Available in Reman Only
1991-1995	* (HI-CAPACITY)	12	50	27070-23001-71	100211-6970	210-7018	Available in Reman Only
5FGCU13							
1991-1995	4Y	12	35	27060-78003-71	100211-4540	210-7000	Available in Reman Only
1991-1995	* (HI-CAPACITY)	12	50	27070-23001-71	100211-6970	210-7018	Available in Reman Only
5FGCU15							
1991-1995	4Y	12	35	27060-78003-71	100211-4540	210-7000	Available in Reman Only
1991-1995	* (HI-CAPACITY)	12	50	27070-23001-71	100211-6970	210-7018	Available in Reman Only
5FGCU18							
1990-1995	4Y	12	35	27060-78003-71	100211-4540	210-7000	Available in Reman Only
1990-1995	4Y (HI-CAPACITY)	12	50	27070-23001-71	100211-6970	210-7018	Available in Reman Only
5FGCU20							
1990-1995	4Y	12	35	27060-78003-71	100211-4540	210-7000	Available in Reman Only
1990-1995	4Y (HI-CAPACITY)	12	50	27070-23001-71	100211-6970	210-7018	Available in Reman Only
5FGCU25							
1990-1995	4Y	12	35	27060-78003-71	100211-4540	210-7000	Available in Reman Only
1990-1995	4Y (HI-CAPACITY)	12	50	27070-23001-71	100211-6970	210-7018	Available in Reman Only
5FGCU30							
1990-1995	4Y	12	35	27060-78003-71	100211-4540	210-7000	Available in Reman Only
1990-1995	4Y (HI-CAPACITY)	12	50	27070-23001-71	100211-6970	210-7018	Available in Reman Only
5FGE35							
1994-1996	1FZ	12	50	27060-66050	101211-3080	210-7006	Available in Reman Only
1989-1994	3F	12	40	27060-78305-71	100211-6931	210-7001	From 3/89. Available in Reman Only
1989-1994	3F (HI-CAPACITY)	12	50	27070-23041-71	100211-6961	210-7019	Available in Reman Only
1988-1989	3F	12	40	27060-78301-71	100211-4004	210-7003	To 3/89. Available in Reman Only
5FGF15							
1987-1989	4P	12	35	27060-78001-71	100211-1662	210-7002	Available in Reman Only
5FGF18							
1987-1989	4P	12	35	27060-78001-71	100211-1662	210-7002	Available in Reman Only
5FGF20							
1987-1989	4P, 4Y	12	35	27060-78001-71	100211-1662	210-7002	Available in Reman Only
60-4FG10							
1978-1986	5P	12	45	27020-61110	021000-8040	210-7005	Available in Reman Only
60-4FG14							
1978-1986	5P	12	45	27020-61110	021000-8040	210-7005	Available in Reman Only
60-4FG15							
1978-1986	5P	12	45	27020-61110	021000-8040	210-7005	Available in Reman Only
60-4FG18							
1978-1986	5P	12	45	27020-61110	021000-8040	210-7005	Available in Reman Only
60-4FGC20							
1980-1988	5P	12	45	27020-61110	021000-8040	210-7005	Available in Reman Only

ALTERNATOR APPLICATIONS



YEAR	ENGINE	VOLTS	AMPS	OEM PART NUMBER	NEW PART NUMBER	REMAN PART NUMBER	APPLICATION INFORMATION
TOYOTA (continued)							
60-4FGC25							
1980-1988	5P	12	45	27020-61110	021000-8040	210-7005	Available in Reman Only
60-5FD20							
1989-1994	1DZ	12	40	27060-78305-71	100211-6931	210-7001	Available in Reman Only
1989-1994	1DZ (HI-CAPACITY)	12	50	27070-23041-71	100211-6961	210-7019	Available in Reman Only
60-5FD23							
1989-1994	1DZ	12	40	27060-78305-71	100211-6931	210-7001	Available in Reman Only
1989-1994	1DZ (HI-CAPACITY)	12	50	27070-23041-71	100211-6961	210-7019	Available in Reman Only
60-5FD25							
1989-1994	1DZ	12	40	27060-78305-71	100211-6931	210-7001	Available in Reman Only
1989-1994	1DZ (HI-CAPACITY)	12	50	27070-23041-71	100211-6961	210-7019	Available in Reman Only
60-5FD28							
1989-1994	1DZ	12	40	27060-78305-71	100211-6931	210-7001	Available in Reman Only
1989-1994	1DZ (HI-CAPACITY)	12	50	27070-23041-71	100211-6961	210-7019	Available in Reman Only
60-5FD30							
1989-1994	1DZ	12	40	27060-78305-71	100211-6931	210-7001	Available in Reman Only
1989-1994	1DZ (HI-CAPACITY)	12	50	27070-23041-71	100211-6961	210-7019	Available in Reman Only
60-6FD20							
1993-1998	1DZ	12	40	27060-78305-71	100211-6931	210-7001	Available in Reman Only
1993-1998	1DZ	12	50	27070-23041-71	100211-6961	210-7019	Available in Reman Only
1993-1998	1DZ (HI-CAPACITY)	12	50	27070-23041-71	100211-6961	210-7019	Available in Reman Only
60-6FD23							
1993-1998	1DZ	12	40	27060-78305-71	100211-6931	210-7001	Available in Reman Only
1993-1998	1DZ	12	50	27070-23041-71	100211-6961	210-7019	Available in Reman Only
1993-1998	1DZ (HI-CAPACITY)	12	50	27070-23041-71	100211-6961	210-7019	Available in Reman Only
60-6FD25							
1993-1998	1DZ	12	40	27060-78305-71	100211-6931	210-7001	Available in Reman Only
1993-1998	1DZ	12	50	27070-23041-71	100211-6961	210-7019	Available in Reman Only
1993-1998	1DZ (HI-CAPACITY)	12	50	27070-23041-71	100211-6961	210-7019	Available in Reman Only
60-6FD28							
1994-1998	1DZ	12	40	27060-78305-71	100211-6931	210-7001	Available in Reman Only
1994-1998	1DZ	12	50	27070-23041-71	100211-6961	210-7019	Available in Reman Only
1994-1998	1DZ (HI-CAPACITY)	12	50	27070-23041-71	100211-6961	210-7019	Available in Reman Only
60-6FD30							
1994-1998	1DZ	12	40	27060-78305-71	100211-6931	210-7001	Available in Reman Only
1994-1998	1DZ	12	50	27070-23041-71	100211-6961	210-7019	Available in Reman Only
1994-1998	1DZ (HI-CAPACITY)	12	50	27070-23041-71	100211-6961	210-7019	Available in Reman Only
60-6FDN20							
1994-1999	1DZ	12	40	27060-78305-71	100211-6931	210-7001	Available in Reman Only
60-6FDN30							
1994-1999	1DZ	12	40	27060-78305-71	100211-6931	210-7001	Available in Reman Only
60-7FD20							
1999-2000	1DZ	12	50	27060-78201-71	101211-3680	210-7023	Available in Reman Only
1999-2000	1DZ	12	60	27060-78700-71	102211-5850	210-7024	Available in Reman Only
1998-1999	1DZ	12	60	27060-78700-71	102211-5850	210-7024	Available in Reman Only



YEAR	ENGINE	VOLTS	AMPS	OEM PART NUMBER	NEW PART NUMBER	REMAN PART NUMBER	APPLICATION INFORMATION
TOYOTA (continued)							
60-7FD20 (continued)							
2003-Up	1DZ	12	50	27060-78203-71	101211-3680	210-7023	Available in Reman Only
2003-Up	1DZ (DPF)	12	60	27060-78701-71	102211-5850	210-7024	Available in Reman Only
2003-Up	1DZ (HEATER)	12	60	27060-78701-71	102211-5850	210-7024	Available in Reman Only
2003-Up	1DZ (HI-CAPACITY)	12	60	27060-78701-71	102211-5850	210-7024	Available in Reman Only
2003-Up	1DZ (IN-LINE PUMP)	12	60	27060-78701-71	102211-5850	210-7024	Available in Reman Only
2001-2003	1DZ (DPF)	12	60	27060-78700-71	102211-5850	210-7024	Available in Reman Only
2001-2003	1DZ (HEATER)	12	60	27060-78700-71	102211-5850	210-7024	Available in Reman Only
2001-2003	1DZ (HI-CAPACITY)	12	60	27060-78700-71	102211-5850	210-7024	Available in Reman Only
2001-2003	1DZ (IN-LINE PUMP)	12	60	27060-78700-71	102211-5850	210-7024	Available in Reman Only
60-7FD25							
1999-2000	1DZ	12	50	27060-78201-71	101211-3680	210-7023	Available in Reman Only
1999-2000	1DZ	12	60	27060-78700-71	102211-5850	210-7024	Available in Reman Only
1998-1999	1DZ	12	60	27060-78700-71	102211-5850	210-7024	Available in Reman Only
2003-Up	1DZ	12	50	27060-78203-71	101211-3680	210-7023	Available in Reman Only
2003-Up	1DZ (DPF)	12	60	27060-78701-71	102211-5850	210-7024	Available in Reman Only
2003-Up	1DZ (HEATER)	12	60	27060-78701-71	102211-5850	210-7024	Available in Reman Only
2003-Up	1DZ (HI-CAPACITY)	12	60	27060-78701-71	102211-5850	210-7024	Available in Reman Only
2003-Up	1DZ (IN-LINE PUMP)	12	60	27060-78701-71	102211-5850	210-7024	Available in Reman Only
2001-2003	1DZ (DPF)	12	60	27060-78700-71	102211-5850	210-7024	Available in Reman Only
2001-2003	1DZ (HEATER)	12	60	27060-78700-71	102211-5850	210-7024	Available in Reman Only
2001-2003	1DZ (HI-CAPACITY)	12	60	27060-78700-71	102211-5850	210-7024	Available in Reman Only
2001-2003	1DZ (IN-LINE PUMP)	12	60	27060-78700-71	102211-5850	210-7024	Available in Reman Only
60-7FD30							
1999-2000	1DZ	12	50	27060-78201-71	101211-3680	210-7023	Available in Reman Only
1999-2000	1DZ	12	60	27060-78700-71	102211-5850	210-7024	Available in Reman Only
1998-1999	1DZ	12	60	27060-78700-71	102211-5850	210-7024	Available in Reman Only
2003-Up	1DZ	12	50	27060-78203-71	101211-3680	210-7023	Available in Reman Only
2003-Up	1DZ (DPF)	12	60	27060-78701-71	102211-5850	210-7024	Available in Reman Only
2003-Up	1DZ (HEATER)	12	60	27060-78701-71	102211-5850	210-7024	Available in Reman Only
2003-Up	1DZ (HI-CAPACITY)	12	60	27060-78701-71	102211-5850	210-7024	Available in Reman Only
2003-Up	1DZ (IN-LINE PUMP)	12	60	27060-78701-71	102211-5850	210-7024	Available in Reman Only
2001-2003	1DZ (DPF)	12	60	27060-78700-71	102211-5850	210-7024	Available in Reman Only
2001-2003	1DZ (HEATER)	12	60	27060-78700-71	102211-5850	210-7024	Available in Reman Only
2001-2003	1DZ (HI-CAPACITY)	12	60	27060-78700-71	102211-5850	210-7024	Available in Reman Only
2001-2003	1DZ (IN-LINE PUMP)	12	60	27060-78700-71	102211-5850	210-7024	Available in Reman Only
60-7FDN20							
2003-Up	1DZ,2Z	12	50	27060-78203-71	101211-3680	210-7023	Available in Reman Only
2003-Up	1DZ,2Z (DPF)	12	60	27060-78701-71	102211-5850	210-7024	Available in Reman Only
2003-Up	1DZ,2Z (HI-CAPACITY, HEATER)	12	60	27060-78701-71	102211-5850	210-7024	Available in Reman Only
60-7FDN25							
2003-Up	1DZ,2Z	12	50	27060-78203-71	101211-3680	210-7023	Available in Reman Only
2003-Up	1DZ,2Z (DPF)	12	60	27060-78701-71	102211-5850	210-7024	Available in Reman Only
2003-Up	1DZ,2Z (HI-CAPACITY, HEATER)	12	60	27060-78701-71	102211-5850	210-7024	Available in Reman Only
60-7FDN30							
2003-Up	1DZ,2Z	12	50	27060-78203-71	101211-3680	210-7023	Available in Reman Only



YEAR	ENGINE	VOLTS	AMPS	OEM PART NUMBER	NEW PART NUMBER	REMAN PART NUMBER	APPLICATION INFORMATION
TOYOTA (continued)							
60-7FDN30 (continued)							
2003-Up	1DZ,2Z (DPF)	12	60	27060-78701-71	102211-5850	210-7024	Available in Reman Only
2003-Up	1DZ,2Z (HI-CAPACITY, HEATER)	12	60	27060-78701-71	102211-5850	210-7024	Available in Reman Only
60-FG18							
1978-1986	5P	12	45	27020-61110	021000-8040	210-7005	Available in Reman Only
60-FGC18							
1980-1988	5P	12	45	27020-61110	021000-8040	210-7005	Available in Reman Only
60-FGC23							
1980-1988	5P	12	45	27020-61110	021000-8040	210-7005	Available in Reman Only
62-4FG10							
1978-1986	5P	12	45	27020-61110	021000-8040	210-7005	Available in Reman Only
62-4FG14							
1978-1986	5P	12	45	27020-61110	021000-8040	210-7005	Available in Reman Only
62-4FG15							
1978-1986	5P	12	45	27020-61110	021000-8040	210-7005	Available in Reman Only
62-4FG18							
1978-1986	5P	12	45	27020-61110	021000-8040	210-7005	Available in Reman Only
62-4FGC20							
1980-1988	5P	12	45	27020-61110	021000-8040	210-7005	Available in Reman Only
62-4FGC25							
1980-1988	5P	12	45	27020-61110	021000-8040	210-7005	Available in Reman Only
62-5FD20							
1989-1994	1DZ	12	40	27060-78305-71	100211-6931	210-7001	Available in Reman Only
1989-1994	1DZ (HI-CAPACITY)	12	50	27070-23041-71	100211-6961	210-7019	Available in Reman Only
62-5FD23							
1989-1994	1DZ	12	40	27060-78305-71	100211-6931	210-7001	Available in Reman Only
1989-1994	1DZ (HI-CAPACITY)	12	50	27070-23041-71	100211-6961	210-7019	Available in Reman Only
62-5FD25							
1989-1994	1DZ	12	40	27060-78305-71	100211-6931	210-7001	Available in Reman Only
1989-1994	1DZ (HI-CAPACITY)	12	50	27070-23041-71	100211-6961	210-7019	Available in Reman Only
62-5FD28							
1989-1994	1DZ	12	40	27060-78305-71	100211-6931	210-7001	Available in Reman Only
1989-1994	1DZ (HI-CAPACITY)	12	50	27070-23041-71	100211-6961	210-7019	Available in Reman Only
62-5FD30							
1989-1994	1DZ	12	40	27060-78305-71	100211-6931	210-7001	Available in Reman Only
1989-1994	1DZ (HI-CAPACITY)	12	50	27070-23041-71	100211-6961	210-7019	Available in Reman Only
62-5FDF20							
1993-1994	1DZ	12	40	27060-78305-71	100211-6931	210-7001	Available in Reman Only
1989-1994	1DZ (HI-CAPACITY)	12	50	27070-23041-71	100211-6961	210-7019	Available in Reman Only
62-5FDF30							
1993-1994	1DZ	12	40	27060-78305-71	100211-6931	210-7001	Available in Reman Only
1993-1994	1DZ (HI-CAPACITY)	12	50	27070-23041-71	100211-6961	210-7019	Available in Reman Only



YEAR	ENGINE	VOLTS	AMPS	OEM PART NUMBER	NEW PART NUMBER	REMAN PART NUMBER	APPLICATION INFORMATION
TOYOTA (continued)							
62-6FD20							
1993-1998	1DZ	12	40	27060-78305-71	100211-6931	210-7001	Available in Reman Only
1993-1998	1DZ	12	50	27070-23041-71	100211-6961	210-7019	Available in Reman Only
1993-1998	1DZ (HI-CAPACITY)	12	50	27070-23041-71	100211-6961	210-7019	Available in Reman Only
62-6FD23							
1993-1998	1DZ	12	40	27060-78305-71	100211-6931	210-7001	Available in Reman Only
1993-1998	1DZ	12	50	27070-23041-71	100211-6961	210-7019	Available in Reman Only
1993-1998	1DZ (HI-CAPACITY)	12	50	27070-23041-71	100211-6961	210-7019	Available in Reman Only
62-6FD25							
1993-1998	1DZ	12	40	27060-78305-71	100211-6931	210-7001	Available in Reman Only
1993-1998	1DZ	12	50	27070-23041-71	100211-6961	210-7019	Available in Reman Only
1993-1998	1DZ (HI-CAPACITY)	12	50	27070-23041-71	100211-6961	210-7019	Available in Reman Only
62-6FD28							
1994-1998	1DZ	12	40	27060-78305-71	100211-6931	210-7001	Available in Reman Only
1994-1998	1DZ	12	50	27070-23041-71	100211-6961	210-7019	Available in Reman Only
1994-1998	1DZ (HI-CAPACITY)	12	50	27070-23041-71	100211-6961	210-7019	Available in Reman Only
62-6FD30							
1994-1998	1DZ	12	40	27060-78305-71	100211-6931	210-7001	Available in Reman Only
1994-1998	1DZ	12	50	27070-23041-71	100211-6961	210-7019	Available in Reman Only
1994-1998	1DZ (HI-CAPACITY)	12	50	27070-23041-71	100211-6961	210-7019	Available in Reman Only
62-6FDA20							
1994-1999	1DZ, 2Z	12	40	27060-78305-71	100211-6931	210-7001	Available in Reman Only
62-6FDA25							
1994-1999	1DZ, 2Z	12	40	27060-78305-71	100211-6931	210-7001	Available in Reman Only
62-6FDA30							
1994-1999	1DZ, 2Z	12	40	27060-78305-71	100211-6931	210-7001	Available in Reman Only
62-6FDF20							
1994-1999	1DZ, 2Z	12	40	27060-78305-71	100211-6931	210-7001	Available in Reman Only
1994-1999	1DZ, 2Z (HI-CAPACITY)	12	50	27070-23041-71	100211-6961	210-7019	Available in Reman Only
62-6FDF25							
1994-1999	1DZ, 2Z	12	40	27060-78305-71	100211-6931	210-7001	Available in Reman Only
1994-1999	1DZ, 2Z (HI-CAPACITY)	12	50	27070-23041-71	100211-6961	210-7019	Available in Reman Only
62-6FDF30							
1994-1999	1DZ, 2Z	12	40	27060-78305-71	100211-6931	210-7001	Available in Reman Only
1994-1999	1DZ, 2Z (HI-CAPACITY)	12	50	27070-23041-71	100211-6961	210-7019	Available in Reman Only
62-6FDU20							
1995-1999	1DZ (HI-CAPACITY)	12	50	27070-23041-71	100211-6961	210-7019	Available in Reman Only
62-6FDU25							
1995-1999	1DZ	12	40	27060-78305-71	100211-6931	210-7001	Available in Reman Only
1995-1999	1DZ (HI-CAPACITY)	12	50	27070-23041-71	100211-6961	210-7019	Available in Reman Only
62-6FDU30							
1995-1999	1DZ	12	40	27060-78305-71	100211-6931	210-7001	Available in Reman Only
1995-1999	1DZ (HI-CAPACITY)	12	50	27070-23041-71	100211-6961	210-7019	Available in Reman Only
62-7FD20							
1999-2000	1DZ	12	50	27060-78201-71	101211-3680	210-7023	Available in Reman Only

ALTERNATOR APPLICATIONS



YEAR	ENGINE	VOLTS	AMPS	OEM PART NUMBER	NEW PART NUMBER	REMAN PART NUMBER	APPLICATION INFORMATION
TOYOTA (continued)							
62-7FD20 (continued)							
1999-2000	1DZ	12	60	27060-78700-71	102211-5850	210-7024	Available in Reman Only
1998-1999	1DZ	12	60	27060-78700-71	102211-5850	210-7024	Available in Reman Only
2003-Up	1DZ	12	50	27060-78203-71	101211-3680	210-7023	Available in Reman Only
2003-Up	1DZ (DPF)	12	60	27060-78701-71	102211-5850	210-7024	Available in Reman Only
2003-Up	1DZ (HEATER)	12	60	27060-78701-71	102211-5850	210-7024	Available in Reman Only
2003-Up	1DZ (HI-CAPACITY)	12	60	27060-78701-71	102211-5850	210-7024	Available in Reman Only
2003-Up	1DZ (IN-LINE PUMP)	12	60	27060-78701-71	102211-5850	210-7024	Available in Reman Only
2001-2003	1DZ (DPF)	12	60	27060-78700-71	102211-5850	210-7024	Available in Reman Only
2001-2003	1DZ (HEATER)	12	60	27060-78700-71	102211-5850	210-7024	Available in Reman Only
2001-2003	1DZ (HI-CAPACITY)	12	60	27060-78700-71	102211-5850	210-7024	Available in Reman Only
2001-2003	1DZ (IN-LINE PUMP)	12	60	27060-78700-71	102211-5850	210-7024	Available in Reman Only
62-7FD25							
1999-2000	1DZ	12	50	27060-78201-71	101211-3680	210-7023	Available in Reman Only
1999-2000	1DZ	12	60	27060-78700-71	102211-5850	210-7024	Available in Reman Only
1998-1999	1DZ	12	60	27060-78700-71	102211-5850	210-7024	Available in Reman Only
2003-Up	1DZ	12	50	27060-78203-71	101211-3680	210-7023	Available in Reman Only
2003-Up	1DZ (DPF)	12	60	27060-78701-71	102211-5850	210-7024	Available in Reman Only
2003-Up	1DZ (HEATER)	12	60	27060-78701-71	102211-5850	210-7024	Available in Reman Only
2003-Up	1DZ (HI-CAPACITY)	12	60	27060-78701-71	102211-5850	210-7024	Available in Reman Only
2003-Up	1DZ (IN-LINE PUMP)	12	60	27060-78701-71	102211-5850	210-7024	Available in Reman Only
2001-2003	1DZ (DPF)	12	60	27060-78700-71	102211-5850	210-7024	Available in Reman Only
2001-2003	1DZ (HEATER)	12	60	27060-78700-71	102211-5850	210-7024	Available in Reman Only
2001-2003	1DZ (HI-CAPACITY)	12	60	27060-78700-71	102211-5850	210-7024	Available in Reman Only
2001-2003	1DZ (IN-LINE PUMP)	12	60	27060-78700-71	102211-5850	210-7024	Available in Reman Only
62-7FD30							
1999-2000	1DZ	12	50	27060-78201-71	101211-3680	210-7023	Available in Reman Only
1999-2000	1DZ	12	60	27060-78700-71	102211-5850	210-7024	Available in Reman Only
1998-1999	1DZ	12	60	27060-78700-71	102211-5850	210-7024	Available in Reman Only
2003-Up	1DZ	12	50	27060-78203-71	101211-3680	210-7023	Available in Reman Only
2003-Up	1DZ (DPF)	12	60	27060-78701-71	102211-5850	210-7024	Available in Reman Only
2003-Up	1DZ (HEATER)	12	60	27060-78701-71	102211-5850	210-7024	Available in Reman Only
2003-Up	1DZ (HI-CAPACITY)	12	60	27060-78701-71	102211-5850	210-7024	Available in Reman Only
2003-Up	1DZ (IN-LINE PUMP)	12	60	27060-78701-71	102211-5850	210-7024	Available in Reman Only
2001-2003	1DZ (DPF)	12	60	27060-78700-71	102211-5850	210-7024	Available in Reman Only
2001-2003	1DZ (HEATER)	12	60	27060-78700-71	102211-5850	210-7024	Available in Reman Only
2001-2003	1DZ (HI-CAPACITY)	12	60	27060-78700-71	102211-5850	210-7024	Available in Reman Only
2001-2003	1DZ (IN-LINE PUMP)	12	60	27060-78700-71	102211-5850	210-7024	Available in Reman Only
62-7FDF20							
1999-2002	1DZ,2Z	12	60	27060-78700-71	102211-5850	210-7024	Available in Reman Only
2002	1DZ,2Z (HI-CAPACITY)	12	60	27060-78700-71	102211-5850	210-7024	Available in Reman Only
62-7FDF25							
1999-2002	1DZ,2Z	12	60	27060-78700-71	102211-5850	210-7024	Available in Reman Only
2002	1DZ,2Z (HI-CAPACITY)	12	60	27060-78700-71	102211-5850	210-7024	Available in Reman Only
62-7FDF30							
1999-2002	1DZ,2Z	12	60	27060-78700-71	102211-5850	210-7024	Available in Reman Only
2002	1DZ,2Z (HI-CAPACITY)	12	60	27060-78700-71	102211-5850	210-7024	Available in Reman Only



YEAR	ENGINE	VOLTS	AMPS	OEM PART NUMBER	NEW PART NUMBER	REMAN PART NUMBER	APPLICATION INFORMATION
TOYOTA (continued)							
62-7FDN20							
2003-Up	1DZ,2Z	12	50	27060-78203-71	101211-3680	210-7023	Available in Reman Only
2003-Up	1DZ,2Z (DPF)	12	60	27060-78701-71	102211-5850	210-7024	Available in Reman Only
2003-Up	1DZ,2Z (HI-CAPACITY, HEATER)	12	60	27060-78701-71	102211-5850	210-7024	Available in Reman Only
62-7FDN25							
2003-Up	1DZ,2Z	12	50	27060-78203-71	101211-3680	210-7023	Available in Reman Only
2003-Up	1DZ,2Z (DPF)	12	60	27060-78701-71	102211-5850	210-7024	Available in Reman Only
2003-Up	1DZ,2Z (HI-CAPACITY, HEATER)	12	60	27060-78701-71	102211-5850	210-7024	Available in Reman Only
62-7FDN30							
2003-Up	1DZ,2Z	12	50	27060-78203-71	101211-3680	210-7023	Available in Reman Only
2003-Up	1DZ,2Z (DPF)	12	60	27060-78701-71	102211-5850	210-7024	Available in Reman Only
2003-Up	1DZ,2Z (HI-CAPACITY, HEATER)	12	60	27060-78701-71	102211-5850	210-7024	Available in Reman Only
62-FG18							
1978-1986	5P	12	45	27020-61110	021000-8040	210-7005	Available in Reman Only
62-FGC18							
1980-1988	5P	12	45	27020-61110	021000-8040	210-7005	Available in Reman Only
62-FGC23							
1980-1988	5P	12	45	27020-61110	021000-8040	210-7005	Available in Reman Only
6FD10							
1994-1998	1DZ	12	40	27060-78305-71	100211-6931	210-7001	Available in Reman Only
1994-1998	1DZ	12	50	27070-23041-71	100211-6961	210-7019	Available in Reman Only
1994-1998	1DZ (HI-CAPACITY)	12	50	27070-23041-71	100211-6961	210-7019	Available in Reman Only
6FD14							
1994-1998	1DZ	12	40	27060-78305-71	100211-6931	210-7001	Available in Reman Only
1994-1998	1DZ	12	50	27070-23041-71	100211-6961	210-7019	Available in Reman Only
1994-1998	1DZ (HI-CAPACITY)	12	50	27070-23041-71	100211-6961	210-7019	Available in Reman Only
6FD15							
1994-1998	1DZ	12	40	27060-78305-71	100211-6931	210-7001	Available in Reman Only
1994-1998	1DZ	12	50	27070-23041-71	100211-6961	210-7019	Available in Reman Only
1994-1998	1DZ (HI-CAPACITY)	12	50	27070-23041-71	100211-6961	210-7019	Available in Reman Only
6FD18							
1994-1998	1DZ	12	40	27060-78305-71	100211-6931	210-7001	Available in Reman Only
1994-1998	1DZ	12	50	27070-23041-71	100211-6961	210-7019	Available in Reman Only
1994-1998	1DZ (HI-CAPACITY)	12	50	27070-23041-71	100211-6961	210-7019	Available in Reman Only
6FD20							
1993-1998	2Z	12	40	27060-78305-71	100211-6931	210-7001	Available in Reman Only
1993-1998	2Z (HI-CAPACITY)	12	50	27070-23041-71	100211-6961	210-7019	Available in Reman Only
6FD23							
1993-1998	2Z	12	40	27060-78305-71	100211-6931	210-7001	Available in Reman Only
1993-1998	2Z (HI-CAPACITY)	12	50	27070-23041-71	100211-6961	210-7019	Available in Reman Only
6FD25							
1993-1998	2Z	12	40	27060-78305-71	100211-6931	210-7001	Available in Reman Only
1993-1998	2Z (HI-CAPACITY)	12	50	27070-23041-71	100211-6961	210-7019	Available in Reman Only

ALTERNATOR APPLICATIONS



YEAR	ENGINE	VOLTS	AMPS	OEM PART NUMBER	NEW PART NUMBER	REMAN PART NUMBER	APPLICATION INFORMATION
TOYOTA (continued)							
6FD28							
1994-1998	2Z	12	40	27060-78305-71	100211-6931	210-7001	Available in Reman Only
1994-1998	2Z (HI-CAPACITY)	12	50	27070-23041-71	100211-6961	210-7019	Available in Reman Only
6FD30							
1994-1998	2Z	12	40	27060-78305-71	100211-6931	210-7001	Available in Reman Only
1994-1998	2Z (HI-CAPACITY)	12	50	27070-23041-71	100211-6961	210-7019	Available in Reman Only
6FD33							
1996-1999	13Z	12	40	27060-78305-71	100211-6931	210-7001	Available in Reman Only
1996-1999	13Z (HI-CAPACITY)	12	50	27070-23041-71	100211-6961	210-7019	Available in Reman Only
6FD35							
1996-1999	13Z	12	40	27060-78305-71	100211-6931	210-7001	Available in Reman Only
1996-1999	13Z (HI-CAPACITY)	12	50	27070-23041-71	100211-6961	210-7019	Available in Reman Only
6FD40							
1996-1999	13Z	12	40	27060-78305-71	100211-6931	210-7001	Available in Reman Only
1996-1999	13Z (HI-CAPACITY)	12	50	27070-23041-71	100211-6961	210-7019	Available in Reman Only
6FD45							
1996-1999	13Z	12	40	27060-78305-71	100211-6931	210-7001	Available in Reman Only
1996-1999	13Z (HI-CAPACITY)	12	50	27070-23041-71	100211-6961	210-7019	Available in Reman Only
6FDE35							
1996-1999	13Z	12	40	27060-78305-71	100211-6931	210-7001	Available in Reman Only
1996-1999	13Z (HI-CAPACITY)	12	50	27070-23041-71	100211-6961	210-7019	Available in Reman Only
6FDN20							
1994-1999	2Z	12	40	27060-78305-71	100211-6931	210-7001	Available in Reman Only
6FDN25							
1994-1999	2Z	12	40	27060-78305-71	100211-6931	210-7001	Available in Reman Only
6FDN30							
1994-1999	2Z	12	40	27060-78305-71	100211-6931	210-7001	Available in Reman Only
6FDN35							
1996-1997	13Z	12	40	27060-78305-71	100211-6931	210-7001	Available in Reman Only
6FG10							
1994-1996	4Y, 5K	12	35	27060-78003-71	100211-4540	210-7000	Available in Reman Only
1994-1996	4Y,5K (HI-CAPACITY)	12	50	27070-23001-71	100211-6970	210-7018	Available in Reman Only
6FG14							
1994-1996	4Y, 5K	12	35	27060-78003-71	100211-4540	210-7000	Available in Reman Only
1994-1996	4Y,5K (HI-CAPACITY)	12	50	27070-23001-71	100211-6970	210-7018	Available in Reman Only
6FG15							
1994-1996	4Y, 5K	12	35	27060-78003-71	100211-4540	210-7000	Available in Reman Only
1994-1996	4Y,5K (HI-CAPACITY)	12	50	27070-23001-71	100211-6970	210-7018	Available in Reman Only
6FG18							
1994-1996	4Y, 5K	12	35	27060-78003-71	100211-4540	210-7000	Available in Reman Only
1994-1996	4Y,5K (HI-CAPACITY)	12	50	27070-23001-71	100211-6970	210-7018	Available in Reman Only
6FG20							
1993-1996	4Y, 5K	12	35	27060-78003-71	100211-4540	210-7000	Available in Reman Only
1993-1996	4Y,5K (HI-CAPACITY)	12	50	27070-23001-71	100211-6970	210-7018	Available in Reman Only



YEAR	ENGINE	VOLTS	AMPS	OEM PART NUMBER	NEW PART NUMBER	REMAN PART NUMBER	APPLICATION INFORMATION
TOYOTA (continued)							
6FG23							
1993-1996	4Y, 5K	12	35	27060-78003-71	100211-4540	210-7000	Available in Reman Only
1993-1996	4Y,5K (HI-CAPACITY)	12	50	27070-23001-71	100211-6970	210-7018	Available in Reman Only
6FG25							
1993-1996	4Y, 5K	12	35	27060-78003-71	100211-4540	210-7000	Available in Reman Only
1993-1996	4Y,5K (HI-CAPACITY)	12	50	27070-23001-71	100211-6970	210-7018	Available in Reman Only
6FG28							
1994-1996	4Y	12	35	27060-78003-71	100211-4540	210-7000	Available in Reman Only
1994-1996	4Y (HI-CAPACITY)	12	50	27070-23001-71	100211-6970	210-7018	Available in Reman Only
6FG30							
1994-1996	4Y	12	35	27060-78003-71	100211-4540	210-7000	Available in Reman Only
1994-1996	4Y (HI-CAPACITY)	12	50	27070-23001-71	100211-6970	210-7018	Available in Reman Only
7FD10							
1999-2000	1DZ	12	50	27060-78201-71	101211-3680	210-7023	Available in Reman Only
1999-2000	1DZ	12	60	27060-78700-71	102211-5850	210-7024	Available in Reman Only
1998-1999	1DZ	12	60	27060-78700-71	102211-5850	210-7024	Available in Reman Only
2003-Up	1DZ	12	50	27060-78203-71	101211-3680	210-7023	Available in Reman Only
2003-Up	1DZ (DPF)	12	60	27060-78701-71	102211-5850	210-7024	Available in Reman Only
2003-Up	1DZ (HEATER)	12	60	27060-78701-71	102211-5850	210-7024	Available in Reman Only
2003-Up	1DZ (HI-CAPACITY)	12	60	27060-78701-71	102211-5850	210-7024	Available in Reman Only
2003-Up	1DZ (IN-LINE PUMP)	12	60	27060-78701-71	102211-5850	210-7024	Available in Reman Only
2001-2003	1DZ (DPF)	12	60	27060-78700-71	102211-5850	210-7024	Available in Reman Only
2001-2003	1DZ (HEATER)	12	60	27060-78700-71	102211-5850	210-7024	Available in Reman Only
2001-2003	1DZ (HI-CAPACITY)	12	60	27060-78700-71	102211-5850	210-7024	Available in Reman Only
2001-2003	1DZ (IN-LINE PUMP)	12	60	27060-78700-71	102211-5850	210-7024	Available in Reman Only
7FD15							
1999-2000	1DZ	12	50	27060-78201-71	101211-3680	210-7023	Available in Reman Only
1999-2000	1DZ	12	60	27060-78700-71	102211-5850	210-7024	Available in Reman Only
1998-1999	1DZ	12	60	27060-78700-71	102211-5850	210-7024	Available in Reman Only
2003-Up	1DZ	12	50	27060-78203-71	101211-3680	210-7023	Available in Reman Only
2003-Up	1DZ (DPF)	12	60	27060-78701-71	102211-5850	210-7024	Available in Reman Only
2003-Up	1DZ (HEATER)	12	60	27060-78701-71	102211-5850	210-7024	Available in Reman Only
2003-Up	1DZ (HI-CAPACITY)	12	60	27060-78701-71	102211-5850	210-7024	Available in Reman Only
2003-Up	1DZ (IN-LINE PUMP)	12	60	27060-78701-71	102211-5850	210-7024	Available in Reman Only
2001-2003	1DZ (DPF)	12	60	27060-78700-71	102211-5850	210-7024	Available in Reman Only
2001-2003	1DZ (HEATER)	12	60	27060-78700-71	102211-5850	210-7024	Available in Reman Only
2001-2003	1DZ (HI-CAPACITY)	12	60	27060-78700-71	102211-5850	210-7024	Available in Reman Only
2001-2003	1DZ (IN-LINE PUMP)	12	60	27060-78700-71	102211-5850	210-7024	Available in Reman Only
7FD20							
1999-2003	2Z (DPF)	12	60	27060-78700-71	102211-5850	210-7024	Available in Reman Only
1999-2000	2Z	12	50	27060-78201-71	101211-3680	210-7023	Available in Reman Only
1998-1999	2Z	12	60	27060-78700-71	102211-5850	210-7024	Available in Reman Only
2003-Up	2Z	12	50	27060-78203-71	101211-3680	210-7023	Available in Reman Only
2003-Up	2Z (ARCTIC)	12	60	27060-78701-71	102211-5850	210-7024	Available in Reman Only
2003-Up	2Z (DPF)	12	60	27060-78701-71	102211-5850	210-7024	Available in Reman Only
2003-Up	2Z (HEATER)	12	60	27060-78701-71	102211-5850	210-7024	Available in Reman Only
2003-Up	2Z (HI-CAPACITY)	12	60	27060-78701-71	102211-5850	210-7024	Available in Reman Only
2001-2003	2Z (ARCTIC)	12	60	27060-78700-71	102211-5850	210-7024	Available in Reman Only



YEAR	ENGINE	VOLTS	AMPS	OEM PART NUMBER	NEW PART NUMBER	REMAN PART NUMBER	APPLICATION INFORMATION
TOYOTA (continued)							
7FD20 (continued)							
2001-2003	2Z (HEATER)	12	60	27060-78700-71	102211-5850	210-7024	Available in Reman Only
2001-2003	2Z (HI-CAPACITY)	12	60	27060-78700-71	102211-5850	210-7024	Available in Reman Only
7FD25							
1999-2003	2Z (DPF)	12	60	27060-78700-71	102211-5850	210-7024	Available in Reman Only
1999-2000	2Z	12	50	27060-78201-71	101211-3680	210-7023	Available in Reman Only
1998-1999	2Z	12	60	27060-78700-71	102211-5850	210-7024	Available in Reman Only
2003-Up	2Z	12	50	27060-78203-71	101211-3680	210-7023	Available in Reman Only
2003-Up	2Z (ARCTIC)	12	60	27060-78701-71	102211-5850	210-7024	Available in Reman Only
2003-Up	2Z (DPF)	12	60	27060-78701-71	102211-5850	210-7024	Available in Reman Only
2003-Up	2Z (HEATER)	12	60	27060-78701-71	102211-5850	210-7024	Available in Reman Only
2003-Up	2Z (HI-CAPACITY)	12	60	27060-78701-71	102211-5850	210-7024	Available in Reman Only
2001-2003	2Z (ARCTIC)	12	60	27060-78700-71	102211-5850	210-7024	Available in Reman Only
2001-2003	2Z (HEATER)	12	60	27060-78700-71	102211-5850	210-7024	Available in Reman Only
2001-2003	2Z (HI-CAPACITY)	12	60	27060-78700-71	102211-5850	210-7024	Available in Reman Only
7FD30							
1999-2003	2Z (DPF)	12	60	27060-78700-71	102211-5850	210-7024	Available in Reman Only
1999-2000	2Z	12	50	27060-78201-71	101211-3680	210-7023	Available in Reman Only
1998-1999	2Z	12	60	27060-78700-71	102211-5850	210-7024	Available in Reman Only
2003-Up	2Z	12	50	27060-78203-71	101211-3680	210-7023	Available in Reman Only
2003-Up	2Z (ARCTIC)	12	60	27060-78701-71	102211-5850	210-7024	Available in Reman Only
2003-Up	2Z (DPF)	12	60	27060-78701-71	102211-5850	210-7024	Available in Reman Only
2003-Up	2Z (HEATER)	12	60	27060-78701-71	102211-5850	210-7024	Available in Reman Only
2003-Up	2Z (HI-CAPACITY)	12	60	27060-78701-71	102211-5850	210-7024	Available in Reman Only
2001-2003	2Z (ARCTIC)	12	60	27060-78700-71	102211-5850	210-7024	Available in Reman Only
2001-2003	2Z (HEATER)	12	60	27060-78700-71	102211-5850	210-7024	Available in Reman Only
2001-2003	2Z (HI-CAPACITY)	12	60	27060-78700-71	102211-5850	210-7024	Available in Reman Only
7FD35							
1998-2001	13Z	12	60	27060-78700-71	102211-5850	210-7024	Available in Reman Only
2003-Up	13Z	12	50	27060-78203-71	101211-3680	210-7023	Available in Reman Only
2003-Up	13Z (HI-CAPACITY)	12	60	27060-78701-71	102211-5850	210-7024	Available in Reman Only
2001-2003	13Z	12	50	27060-78201-71	101211-3680	210-7023	Available in Reman Only
2001-2003	13Z (HI-CAPACITY)	12	60	27060-78700-71	102211-5850	210-7024	Available in Reman Only
7FD40							
1998-2001	13Z	12	60	27060-78700-71	102211-5850	210-7024	Available in Reman Only
2003-Up	13Z	12	50	27060-78203-71	101211-3680	210-7023	Available in Reman Only
2003-Up	13Z (HI-CAPACITY)	12	60	27060-78701-71	102211-5850	210-7024	Available in Reman Only
2001-2003	13Z	12	50	27060-78201-71	101211-3680	210-7023	Available in Reman Only
2001-2003	13Z (HI-CAPACITY)	12	60	27060-78700-71	102211-5850	210-7024	Available in Reman Only
7FD45							
1998-2001	13Z	12	60	27060-78700-71	102211-5850	210-7024	Available in Reman Only
2003-Up	13Z	12	50	27060-78203-71	101211-3680	210-7023	Available in Reman Only
2003-Up	13Z (HI-CAPACITY)	12	60	27060-78701-71	102211-5850	210-7024	Available in Reman Only
2001-2003	13Z	12	50	27060-78201-71	101211-3680	210-7023	Available in Reman Only
2001-2003	13Z (HI-CAPACITY)	12	60	27060-78700-71	102211-5850	210-7024	Available in Reman Only
7FDAU50							
2003-Up	13Z..35,K40,45,A50	12	60	27060-78701-71	102211-5850	210-7024	Available in Reman Only
2003-Up	13Z..35,K40,45,A50 (HI-CAPACITY)	12	60	27060-78701-71	102211-5850	210-7024	Available in Reman Only



YEAR	ENGINE	VOLTS	AMPS	OEM PART NUMBER	NEW PART NUMBER	REMAN PART NUMBER	APPLICATION INFORMATION
TOYOTA (continued)							
7FDAU50 (continued)							
2000-2003	13Z...35,K40,45,A50	12	60	27060-78700-71	102211-5850	210-7024	Available in Reman Only
2000-2003	13Z...35,K40,45,A50 (HI-CAPACITY)	12	60	27060-78700-71	102211-5850	210-7024	Available in Reman Only
7FDJ35							
1999-2003	2Z (DPF)	12	60	27060-78700-71	102211-5850	210-7024	Available in Reman Only
1999-2000	2Z	12	50	27060-78201-71	101211-3680	210-7023	Available in Reman Only
1998-1999	2Z	12	60	27060-78700-71	102211-5850	210-7024	Available in Reman Only
2003-Up	2Z	12	50	27060-78203-71	101211-3680	210-7023	Available in Reman Only
2003-Up	2Z (ARCTIC)	12	60	27060-78701-71	102211-5850	210-7024	Available in Reman Only
2003-Up	2Z (DPF)	12	60	27060-78701-71	102211-5850	210-7024	Available in Reman Only
2003-Up	2Z (HEATER)	12	60	27060-78701-71	102211-5850	210-7024	Available in Reman Only
2003-Up	2Z (HI-CAPACITY)	12	60	27060-78701-71	102211-5850	210-7024	Available in Reman Only
2001-2003	2Z (ARCTIC)	12	60	27060-78700-71	102211-5850	210-7024	Available in Reman Only
2001-2003	2Z (HEATER)	12	60	27060-78700-71	102211-5850	210-7024	Available in Reman Only
2001-2003	2Z (HI-CAPACITY)	12	60	27060-78700-71	102211-5850	210-7024	Available in Reman Only
7FDK20							
1999-2000	1DZ	12	50	27060-78201-71	101211-3680	210-7023	Available in Reman Only
1999-2000	1DZ	12	60	27060-78700-71	102211-5850	210-7024	Available in Reman Only
1998-1999	1DZ	12	60	27060-78700-71	102211-5850	210-7024	Available in Reman Only
2003-Up	1DZ	12	50	27060-78203-71	101211-3680	210-7023	Available in Reman Only
2003-Up	1DZ (DPF)	12	60	27060-78701-71	102211-5850	210-7024	Available in Reman Only
2003-Up	1DZ (HEATER)	12	60	27060-78701-71	102211-5850	210-7024	Available in Reman Only
2003-Up	1DZ (HI-CAPACITY)	12	60	27060-78701-71	102211-5850	210-7024	Available in Reman Only
2003-Up	1DZ (IN-LINE PUMP)	12	60	27060-78701-71	102211-5850	210-7024	Available in Reman Only
2001-2003	1DZ (DPF)	12	60	27060-78700-71	102211-5850	210-7024	Available in Reman Only
2001-2003	1DZ (HEATER)	12	60	27060-78700-71	102211-5850	210-7024	Available in Reman Only
2001-2003	1DZ (HI-CAPACITY)	12	60	27060-78700-71	102211-5850	210-7024	Available in Reman Only
2001-2003	1DZ (IN-LINE PUMP)	12	60	27060-78700-71	102211-5850	210-7024	Available in Reman Only
7FDK25							
1999-2000	1DZ	12	50	27060-78201-71	101211-3680	210-7023	Available in Reman Only
1999-2000	1DZ	12	60	27060-78700-71	102211-5850	210-7024	Available in Reman Only
1998-1999	1DZ	12	60	27060-78700-71	102211-5850	210-7024	Available in Reman Only
2003-Up	1DZ	12	50	27060-78203-71	101211-3680	210-7023	Available in Reman Only
2003-Up	1DZ (DPF)	12	60	27060-78701-71	102211-5850	210-7024	Available in Reman Only
2003-Up	1DZ (HEATER)	12	60	27060-78701-71	102211-5850	210-7024	Available in Reman Only
2003-Up	1DZ (HI-CAPACITY)	12	60	27060-78701-71	102211-5850	210-7024	Available in Reman Only
2003-Up	1DZ (IN-LINE PUMP)	12	60	27060-78701-71	102211-5850	210-7024	Available in Reman Only
2001-2003	1DZ (DPF)	12	60	27060-78700-71	102211-5850	210-7024	Available in Reman Only
2001-2003	1DZ (HEATER)	12	60	27060-78700-71	102211-5850	210-7024	Available in Reman Only
2001-2003	1DZ (HI-CAPACITY)	12	60	27060-78700-71	102211-5850	210-7024	Available in Reman Only
2001-2003	1DZ (IN-LINE PUMP)	12	60	27060-78700-71	102211-5850	210-7024	Available in Reman Only
7FDK30							
1999-2000	1DZ	12	50	27060-78201-71	101211-3680	210-7023	Available in Reman Only
1999-2000	1DZ	12	60	27060-78700-71	102211-5850	210-7024	Available in Reman Only
1998-1999	1DZ	12	60	27060-78700-71	102211-5850	210-7024	Available in Reman Only
2003-Up	1DZ	12	50	27060-78203-71	101211-3680	210-7023	Available in Reman Only
2003-Up	1DZ (DPF)	12	60	27060-78701-71	102211-5850	210-7024	Available in Reman Only

ALTERNATOR APPLICATIONS



YEAR	ENGINE	VOLTS	AMPS	OEM PART NUMBER	NEW PART NUMBER	REMAN PART NUMBER	APPLICATION INFORMATION
TOYOTA (continued)							
7FDK30 (continued)							
2003-Up	1DZ (HEATER)	12	60	27060-78701-71	102211-5850	210-7024	Available in Reman Only
2003-Up	1DZ (HI-CAPACITY)	12	60	27060-78701-71	102211-5850	210-7024	Available in Reman Only
2003-Up	1DZ (IN-LINE PUMP)	12	60	27060-78701-71	102211-5850	210-7024	Available in Reman Only
2001-2003	1DZ (DPF)	12	60	27060-78700-71	102211-5850	210-7024	Available in Reman Only
2001-2003	1DZ (HEATER)	12	60	27060-78700-71	102211-5850	210-7024	Available in Reman Only
2001-2003	1DZ (HI-CAPACITY)	12	60	27060-78700-71	102211-5850	210-7024	Available in Reman Only
2001-2003	1DZ (IN-LINE PUMP)	12	60	27060-78700-71	102211-5850	210-7024	Available in Reman Only
7FDK40							
1998-2001	13Z	12	60	27060-78700-71	102211-5850	210-7024	Available in Reman Only
2003-Up	13Z	12	50	27060-78203-71	101211-3680	210-7023	Available in Reman Only
2003-Up	13Z (HI-CAPACITY)	12	60	27060-78701-71	102211-5850	210-7024	Available in Reman Only
2001-2003	13Z	12	50	27060-78201-71	101211-3680	210-7023	Available in Reman Only
2001-2003	13Z (HI-CAPACITY)	12	60	27060-78700-71	102211-5850	210-7024	Available in Reman Only
7FDKU40							
2003-Up	13Z..35,K40,45,A50	12	60	27060-78701-71	102211-5850	210-7024	Available in Reman Only
2003-Up	13Z..35,K40,45,A50 (HI-CAPACITY)	12	60	27060-78701-71	102211-5850	210-7024	Available in Reman Only
2000-2003	13Z..35,K40,45,A50	12	60	27060-78700-71	102211-5850	210-7024	Available in Reman Only
2000-2003	13Z..35,K40,45,A50 (HI-CAPACITY)	12	60	27060-78700-71	102211-5850	210-7024	Available in Reman Only
7FDN15							
2003-Up	1DZ,2Z	12	50	27060-78203-71	101211-3680	210-7023	Available in Reman Only
2003-Up	1DZ,2Z (DPF)	12	60	27060-78701-71	102211-5850	210-7024	Available in Reman Only
2003-Up	1DZ,2Z (HI-CAPACITY, HEATER)	12	60	27060-78701-71	102211-5850	210-7024	Available in Reman Only
7FDN20							
2003-Up	1DZ,2Z	12	50	27060-78203-71	101211-3680	210-7023	Available in Reman Only
2003-Up	1DZ,2Z (DPF)	12	60	27060-78701-71	102211-5850	210-7024	Available in Reman Only
2003-Up	1DZ,2Z (HI-CAPACITY, HEATER)	12	60	27060-78701-71	102211-5850	210-7024	Available in Reman Only
7FDN25							
2003-Up	1DZ,2Z	12	50	27060-78203-71	101211-3680	210-7023	Available in Reman Only
2003-Up	1DZ,2Z (DPF)	12	60	27060-78701-71	102211-5850	210-7024	Available in Reman Only
2003-Up	1DZ,2Z (HI-CAPACITY, HEATER)	12	60	27060-78701-71	102211-5850	210-7024	Available in Reman Only
7FDN30							
2003-Up	1DZ,2Z	12	50	27060-78203-71	101211-3680	210-7023	Available in Reman Only
2003-Up	1DZ,2Z (DPF)	12	60	27060-78701-71	102211-5850	210-7024	Available in Reman Only
2003-Up	1DZ,2Z (HI-CAPACITY, HEATER)	12	60	27060-78701-71	102211-5850	210-7024	Available in Reman Only
7FDU15							
1999-2003	1DZ (HI-CAPACITY)	12	60	27060-78700-71	102211-5850	210-7024	Available in Reman Only
1999-2000	1DZ	12	50	27060-78201-71	101211-3680	210-7023	Available in Reman Only
2003-Up	1DZ	12	50	27060-78203-71	101211-3680	210-7023	Available in Reman Only
2003-Up	1DZ (HI-CAPACITY)	12	60	27060-78701-71	102211-5850	210-7024	Available in Reman Only



YEAR	ENGINE	VOLTS	AMPS	OEM PART NUMBER	NEW PART NUMBER	REMAN PART NUMBER	APPLICATION INFORMATION
TOYOTA (continued)							
7FDU18							
1999-2003	1DZ (HI-CAPACITY)	12	60	27060-78700-71	102211-5850	210-7024	Available in Reman Only
1999-2000	1DZ	12	50	27060-78201-71	101211-3680	210-7023	Available in Reman Only
2003-Up	1DZ	12	50	27060-78203-71	101211-3680	210-7023	Available in Reman Only
2003-Up	1DZ (HI-CAPACITY)	12	60	27060-78701-71	102211-5850	210-7024	Available in Reman Only
7FDU20							
1999-2003	1DZ (HI-CAPACITY)	12	60	27060-78700-71	102211-5850	210-7024	Available in Reman Only
1999-2000	1DZ	12	50	27060-78201-71	101211-3680	210-7023	Available in Reman Only
2003-Up	1DZ	12	50	27060-78203-71	101211-3680	210-7023	Available in Reman Only
2003-Up	1DZ (HI-CAPACITY)	12	60	27060-78701-71	102211-5850	210-7024	Available in Reman Only
7FDU25							
1999-2003	1DZ (HI-CAPACITY)	12	60	27060-78700-71	102211-5850	210-7024	Available in Reman Only
1999-2000	1DZ	12	50	27060-78201-71	101211-3680	210-7023	Available in Reman Only
2003-Up	1DZ	12	50	27060-78203-71	101211-3680	210-7023	Available in Reman Only
2003-Up	1DZ (HI-CAPACITY)	12	60	27060-78701-71	102211-5850	210-7024	Available in Reman Only
7FDU30							
1999-2003	1DZ (HI-CAPACITY)	12	60	27060-78700-71	102211-5850	210-7024	Available in Reman Only
1999-2000	1DZ	12	50	27060-78201-71	101211-3680	210-7023	Available in Reman Only
2003-Up	1DZ	12	50	27060-78203-71	101211-3680	210-7023	Available in Reman Only
2003-Up	1DZ (HI-CAPACITY)	12	60	27060-78701-71	102211-5850	210-7024	Available in Reman Only
7FDU32							
1999-2003	1DZ (HI-CAPACITY)	12	60	27060-78700-71	102211-5850	210-7024	Available in Reman Only
1999-2000	1DZ	12	50	27060-78201-71	101211-3680	210-7023	Available in Reman Only
2003-Up	1DZ	12	50	27060-78203-71	101211-3680	210-7023	Available in Reman Only
2003-Up	1DZ (HI-CAPACITY)	12	60	27060-78701-71	102211-5850	210-7024	Available in Reman Only
7FDU35							
2003-Up	13Z..35,K40,45,A50	12	60	27060-78701-71	102211-5850	210-7024	Available in Reman Only
2003-Up	13Z..35,K40,45,A50 (HI-CAPACITY)	12	60	27060-78701-71	102211-5850	210-7024	Available in Reman Only
2000-2003	13Z..35,K40,45,A50	12	60	27060-78700-71	102211-5850	210-7024	Available in Reman Only
2000-2003	13Z..35,K40,45,A50 (HI-CAPACITY)	12	60	27060-78700-71	102211-5850	210-7024	Available in Reman Only
7FDU45							
2003-Up	13Z..35,K40,45,A50	12	60	27060-78701-71	102211-5850	210-7024	Available in Reman Only
2003-Up	13Z..35,K40,45,A50 (HI-CAPACITY)	12	60	27060-78701-71	102211-5850	210-7024	Available in Reman Only
2000-2003	13Z..35,K40,45,A50	12	60	27060-78700-71	102211-5850	210-7024	Available in Reman Only
2000-2003	13Z..35,K40,45,A50 (HI-CAPACITY)	12	60	27060-78700-71	102211-5850	210-7024	Available in Reman Only
7FDU60							
2003-Up	13Z..60,70,80	12	50	27060-78203-71	101211-3680	210-7023	Available in Reman Only
7FDU70							
2003-Up	13Z..60,70,80	12	50	27060-78203-71	101211-3680	210-7023	Available in Reman Only
7FDU80							
2003-Up	13Z..60,70,80	12	50	27060-78203-71	101211-3680	210-7023	Available in Reman Only

ALTERNATOR APPLICATIONS



YEAR	ENGINE	VOLTS	AMPS	OEM PART NUMBER	NEW PART NUMBER	REMAN PART NUMBER	APPLICATION INFORMATION
TOYOTA (continued)							
7FG10							
1998-2003	4Y,5K (HI-CAPACITY)	12	60	27060-78154-71	102211-5200	210-7013	Available in Reman Only
1998-2000	4Y, 5K	12	50	27060-78153-71	101211-3580	210-7007	Available in Reman Only
2003-Up	4Y,5K	12	50	27060-78158-71	101211-8700	210-7022	Available in Reman Only
2000-2001	4Y,5K	12	50	27060-78156-71	101211-8580	210-7022	Available in Reman Only
7FG15							
1998-2003	4Y,5K (HI-CAPACITY)	12	60	27060-78154-71	102211-5200	210-7013	Available in Reman Only
1998-2000	4Y, 5K	12	50	27060-78153-71	101211-3580	210-7007	Available in Reman Only
2003-Up	4Y,5K	12	50	27060-78158-71	101211-8700	210-7022	Available in Reman Only
2000-2001	4Y,5K	12	50	27060-78156-71	101211-8580	210-7022	Available in Reman Only
7FG20							
1998-2003	4Y,5K (HI-CAPACITY)	12	60	27060-78154-71	102211-5200	210-7013	Available in Reman Only
1998-2000	4Y, 5K	12	50	27060-78153-71	101211-3580	210-7007	Available in Reman Only
2003-Up	4Y,5K	12	50	27060-78158-71	101211-8700	210-7022	Available in Reman Only
2000-2001	4Y,5K	12	50	27060-78156-71	101211-8580	210-7022	Available in Reman Only
7FG25							
1998-2003	4Y,5K (HI-CAPACITY)	12	60	27060-78154-71	102211-5200	210-7013	Available in Reman Only
1998-2000	4Y, 5K	12	50	27060-78153-71	101211-3580	210-7007	Available in Reman Only
2003-Up	4Y,5K	12	50	27060-78158-71	101211-8700	210-7022	Available in Reman Only
2000-2001	4Y,5K	12	50	27060-78156-71	101211-8580	210-7022	Available in Reman Only
7FG30							
1998-2003	4Y,5K (HI-CAPACITY)	12	60	27060-78154-71	102211-5200	210-7013	Available in Reman Only
1998-2000	4Y, 5K	12	50	27060-78153-71	101211-3580	210-7007	Available in Reman Only
2003-Up	4Y,5K	12	50	27060-78158-71	101211-8700	210-7022	Available in Reman Only
2000-2001	4Y,5K	12	50	27060-78156-71	101211-8580	210-7022	Available in Reman Only
7FGAU50							
2000	GM6-262	12	50	27070-23041-71	100211-6961	210-7019	Available in Reman Only
7FGCSU20							
2003-Up		12	50	27060-78158-71	101211-8700	210-7022	Available in Reman Only
2000-2001		12	50	27060-78156-71	101211-8700	210-7022	Available in Reman Only
2000-2001	* (HI-CAPACITY)	12	60	27060-78154-71	102211-5200	210-7013	Available in Reman Only
7FGCU15							
2003-Up		12	50	27060-78158-71	101211-8700	210-7022	Available in Reman Only
2000-2001		12	50	27060-78156-71	101211-8700	210-7022	Available in Reman Only
2000-2001	* (HI-CAPACITY)	12	60	27060-78154-71	102211-5200	210-7013	Available in Reman Only
7FGCU18							
2003-Up		12	50	27060-78158-71	101211-8700	210-7022	Available in Reman Only
2000-2001		12	50	27060-78156-71	101211-8700	210-7022	Available in Reman Only
2000-2001	* (HI-CAPACITY)	12	60	27060-78154-71	102211-5200	210-7013	Available in Reman Only
7FGCU20							
1999-2003	4Y (HI-CAPACITY)	12	60	27060-78154-71	102211-5200	210-7013	Available in Reman Only
1999-2000	4Y	12	50	27060-78153-71	101211-3580	210-7007	Available in Reman Only
2003-Up	4Y	12	50	27060-78158-71	101211-8580	210-7022	Available in Reman Only
2000-2001	4Y	12	50	27060-78156-71	101211-8700	210-7022	Available in Reman Only
7FGCU25							
1999-2003	4Y (HI-CAPACITY)	12	60	27060-78154-71	102211-5200	210-7013	Available in Reman Only



YEAR	ENGINE	VOLTS	AMPS	OEM PART NUMBER	NEW PART NUMBER	REMAN PART NUMBER	APPLICATION INFORMATION
TOYOTA (continued)							
7FGCU25 (continued)							
1999-2000	4Y	12	50	27060-78153-71	101211-3580	210-7007	Available in Reman Only
2003-Up	4Y	12	50	27060-78158-71	101211-8580	210-7022	Available in Reman Only
2000-2001	4Y	12	50	27060-78156-71	101211-8700	210-7022	Available in Reman Only
7FGCU30							
1999-2003	4Y (HI-CAPACITY)	12	60	27060-78154-71	102211-5200	210-7013	Available in Reman Only
1999-2000	4Y	12	50	27060-78153-71	101211-3580	210-7007	Available in Reman Only
2003-Up	4Y	12	50	27060-78158-71	101211-8580	210-7022	Available in Reman Only
2000-2001	4Y	12	50	27060-78156-71	101211-8700	210-7022	Available in Reman Only
7FGCU32							
1999-2003	4Y (HI-CAPACITY)	12	60	27060-78154-71	102211-5200	210-7013	Available in Reman Only
1999-2000	4Y	12	50	27060-78153-71	101211-3580	210-7007	Available in Reman Only
2003-Up	4Y	12	50	27060-78158-71	101211-8580	210-7022	Available in Reman Only
2000-2001	4Y	12	50	27060-78156-71	101211-8700	210-7022	Available in Reman Only
7FGCU35							
2000	GM6-262	12	50	27070-23041-71	100211-6961	210-7019	Available in Reman Only
7FGCU45							
2000	GM6-262	12	50	27070-23041-71	100211-6961	210-7019	Available in Reman Only
7FGCU55							
2000	GM6-262	12	50	27070-23041-71	100211-6961	210-7019	Available in Reman Only
7FGCU60							
2000	GM6-262	12	50	27070-23041-71	100211-6961	210-7019	Available in Reman Only
7FGCU70							
2000	GM6-262	12	50	27070-23041-71	100211-6961	210-7019	Available in Reman Only
7FGJ35							
1998-2003	4Y,5K (HI-CAPACITY)	12	60	27060-78154-71	102211-5200	210-7013	Available in Reman Only
1998-2000	4Y, 5K	12	50	27060-78153-71	101211-3580	210-7007	Available in Reman Only
2003-Up	4Y,5K	12	50	27060-78158-71	101211-8700	210-7022	Available in Reman Only
2000-2001	4Y,5K	12	50	27060-78156-71	101211-8580	210-7022	Available in Reman Only
7FGK20							
1998-2003	4Y,5K (HI-CAPACITY)	12	60	27060-78154-71	102211-5200	210-7013	Available in Reman Only
1998-2000	4Y, 5K	12	50	27060-78153-71	101211-3580	210-7007	Available in Reman Only
2003-Up	4Y,5K	12	50	27060-78158-71	101211-8700	210-7022	Available in Reman Only
2000-2001	4Y,5K	12	50	27060-78156-71	101211-8580	210-7022	Available in Reman Only
7FGK25							
1998-2003	4Y,5K (HI-CAPACITY)	12	60	27060-78154-71	102211-5200	210-7013	Available in Reman Only
1998-2000	4Y, 5K	12	50	27060-78153-71	101211-3580	210-7007	Available in Reman Only
2003-Up	4Y,5K	12	50	27060-78158-71	101211-8700	210-7022	Available in Reman Only
2000-2001	4Y,5K	12	50	27060-78156-71	101211-8580	210-7022	Available in Reman Only
7FGK30							
1998-2003	4Y,5K (HI-CAPACITY)	12	60	27060-78154-71	102211-5200	210-7013	Available in Reman Only
1998-2000	4Y, 5K	12	50	27060-78153-71	101211-3580	210-7007	Available in Reman Only
2003-Up	4Y,5K	12	50	27060-78158-71	101211-8700	210-7022	Available in Reman Only
2000-2001	4Y,5K	12	50	27060-78156-71	101211-8580	210-7022	Available in Reman Only
7FGKU40							
2000	GM6-262	12	50	27070-23041-71	100211-6961	210-7019	Available in Reman Only



YEAR	ENGINE	VOLTS	AMPS	OEM PART NUMBER	NEW PART NUMBER	REMAN PART NUMBER	APPLICATION INFORMATION
TOYOTA (continued)							
7FGN30							
2003-Up	4Y	12	50	27060-78158-71	101211-8580	210-7022	Available in Reman Only
7FGU15							
1999-2003	4Y (HI-CAPACITY)	12	60	27060-78154-71	102211-5200	210-7013	Available in Reman Only
1999-2000	4Y	12	50	27060-78153-71	101211-3580	210-7007	Available in Reman Only
2003-Up	4Y	12	50	27060-78158-71	101211-8580	210-7022	Available in Reman Only
2000-2001	4Y	12	50	27060-78156-71	101211-8700	210-7022	Available in Reman Only
7FGU18							
1999-2003	4Y (HI-CAPACITY)	12	60	27060-78154-71	102211-5200	210-7013	Available in Reman Only
1999-2000	4Y	12	50	27060-78153-71	101211-3580	210-7007	Available in Reman Only
2003-Up	4Y	12	50	27060-78158-71	101211-8580	210-7022	Available in Reman Only
2000-2001	4Y	12	50	27060-78156-71	101211-8700	210-7022	Available in Reman Only
7FGU20							
1999-2003	4Y (HI-CAPACITY)	12	60	27060-78154-71	102211-5200	210-7013	Available in Reman Only
1999-2000	4Y	12	50	27060-78153-71	101211-3580	210-7007	Available in Reman Only
2003-Up	4Y	12	50	27060-78158-71	101211-8580	210-7022	Available in Reman Only
2000-2001	4Y	12	50	27060-78156-71	101211-8700	210-7022	Available in Reman Only
7FGU25							
1999-2003	4Y (HI-CAPACITY)	12	60	27060-78154-71	102211-5200	210-7013	Available in Reman Only
1999-2000	4Y	12	50	27060-78153-71	101211-3580	210-7007	Available in Reman Only
2003-Up	4Y	12	50	27060-78158-71	101211-8580	210-7022	Available in Reman Only
2000-2001	4Y	12	50	27060-78156-71	101211-8700	210-7022	Available in Reman Only
7FGU30							
1999-2003	4Y (HI-CAPACITY)	12	60	27060-78154-71	102211-5200	210-7013	Available in Reman Only
1999-2000	4Y	12	50	27060-78153-71	101211-3580	210-7007	Available in Reman Only
2003-Up	4Y	12	50	27060-78158-71	101211-8580	210-7022	Available in Reman Only
2000-2001	4Y	12	50	27060-78156-71	101211-8700	210-7022	Available in Reman Only
7FGU32							
1999-2003	4Y (HI-CAPACITY)	12	60	27060-78154-71	102211-5200	210-7013	Available in Reman Only
1999-2000	4Y	12	50	27060-78153-71	101211-3580	210-7007	Available in Reman Only
2003-Up	4Y	12	50	27060-78158-71	101211-8580	210-7022	Available in Reman Only
2000-2001	4Y	12	50	27060-78156-71	101211-8700	210-7022	Available in Reman Only
7FGU35							
2000	GM6-262	12	50	27070-23041-71	100211-6961	210-7019	Available in Reman Only
7FGU45							
2000	GM6-262	12	50	27070-23041-71	100211-6961	210-7019	Available in Reman Only
7FGU60							
2000	GM6-262	12	50	27070-23041-71	100211-6961	210-7019	Available in Reman Only
7FGU70							
2000	GM6-262	12	50	27070-23041-71	100211-6961	210-7019	Available in Reman Only
7FGU80							
2000	GM6-262	12	50	27070-23041-71	100211-6961	210-7019	Available in Reman Only
FD18							
1978-1986	2J	24	15	27020-78601-71	021000-4510	210-7004	Available in Reman Only



YEAR	ENGINE	VOLTS	AMPS	OEM PART NUMBER	NEW PART NUMBER	REMAN PART NUMBER	APPLICATION INFORMATION
TOYOTA (continued)							
FD23							
1978-1986	2J, 2JT	24	15	27020-78601-71	021000-4510	210-7004	Available in Reman Only
FD28							
1978-1986	2J, 2JT	24	15	27020-78601-71	021000-4510	210-7004	Available in Reman Only
FD45							
1980-1988	2H	24	15	27020-78601-71	021000-4510	210-7004	Available in Reman Only
FDC18							
1985-1988	2J (12V..UL-D)	12	45	27020-61110	021000-8040	210-7005	Available in Reman Only
1980-1988	2J	24	15	27020-78601-71	021000-4510	210-7004	Available in Reman Only
FDC23							
1985-1988	2J (12V..UL-D)	12	45	27020-61110	021000-8040	210-7005	Available in Reman Only
1980-1988	2J	24	15	27020-78601-71	021000-4510	210-7004	Available in Reman Only
FDC28							
1980-1988	2J	24	15	27020-78601-71	021000-4510	210-7004	Available in Reman Only
FDC33							
1982-1997	2H	24	15	27020-78601-71	021000-4510	210-7004	Available in Reman Only
FDC35							
1982-1997	2H	24	15	27020-78601-71	021000-4510	210-7004	Available in Reman Only
FDC40							
1982-1997	2H	24	15	27020-78601-71	021000-4510	210-7004	Available in Reman Only
FDC45							
1982-1997	2H	24	15	27020-78601-71	021000-4510	210-7004	Available in Reman Only
FDE35							
1980-1988	2H	24	15	27020-78601-71	021000-4510	210-7004	Available in Reman Only
FDT25							
1983-Up	2J	24	15	27020-78601-71	021000-4510	210-7004	Available in Reman Only
FG18							
1978-1986	4P,5R	12	30	27020-76003-71	021000-5601	210-7025	Available in Reman Only
FG23							
1978-1986	4P,5R	12	30	27020-76003-71	021000-5601	210-7025	Available in Reman Only
FG45							
1980-1988	2F	12	45	27020-61110	021000-8040	210-7005	Available in Reman Only
FGC18							
1980-1988	4P,5R	12	30	27020-76003-71	021000-5601	210-7025	Available in Reman Only
FGC23							
1980-1988	4P,5R	12	30	27020-76003-71	021000-5601	210-7025	Available in Reman Only
FGE35							
1980-1988	2F	12	45	27020-61110	021000-8040	210-7005	Available in Reman Only
JD12							
1978-1997		24	15	27020-78601-71	021000-4510	210-7004	Available in Reman Only
JD15L							
1978-1997		24	15	27020-78601-71	021000-4510	210-7004	Available in Reman Only



YEAR	ENGINE	VOLTS	AMPS	OEM PART NUMBER	NEW PART NUMBER	REMAN PART NUMBER	APPLICATION INFORMATION
TOYOTA (continued)							
JD18							
1978-1986		24	15	27020-78601-71	021000-4510	210-7004	Available in Reman Only
JD21L							
1978-1986		24	15	27020-78601-71	021000-4510	210-7004	Available in Reman Only
SD7							
1977-1992	2J	24	15	27020-78601-71	021000-4510	210-7004	Available in Reman Only
1975-1977	2J	24	15	27020-78601-71	021000-4510	210-7004	Available in Reman Only
SDK10							
1989-1997	1Z	12	40	27060-78305-71	100211-6931	210-7001	From 3/89. Available in Reman Only
1989	1Z	12	40	27060-78301-71	100211-4004	210-7003	To 3/89. Available in Reman Only
SDK6							
1977-1986	2J	24	15	27020-78601-71	021000-4510	210-7004	Available in Reman Only
1977	2J	24	15	27020-78601-71	021000-4510	210-7004	Available in Reman Only
SDK8							
1978-1989		24	15	27020-78601-71	021000-4510	210-7004	Available in Reman Only
SGK6							
1977-1986	4P	12	30	27020-76003-71	021000-5601	210-7025	Available in Reman Only
SX							
1969-1988	SX	12	30	27020-76003-71	021000-5601	210-7025	Available in Reman Only
SY							
1969-1988	SX	12	30	27020-76003-71	021000-5601	210-7025	Available in Reman Only
TG10							
1973-1997	3P	12	30	27020-76003-71	021000-5601	210-7025	Available in Reman Only
TG20							
1973-1989	5R	12	30	27020-76003-71	021000-5601	210-7025	Available in Reman Only
TG25							
1973-1989	5R	12	30	27020-76003-71	021000-5601	210-7025	Available in Reman Only
8FGU25							
2006-	1903 01	12	60	27060-78701-71	102211-5850	210-7024	Available in Reman Only
02-FGC18							
1980-1988	4P,5R	12	30	27020-76003-71	021000-5601	210-7025	Available in Reman Only
02-2FDC30							
1980-1988	2J	24	15	27020-78601-71	021000-4510	210-7004	Available in Reman Only
02-FD23							
1978-1986	2J,2JT	24	15	27020-78601-71	021000-4510	210-7004	Available in Reman Only
30-8FG10							
2006-	4Y	12	50	27060-78158-71	101211-8700	210-7022	Available in Reman Only
30-8FG15							
2006-	4Y	12	50	27060-78158-71	101211-8700	210-7022	Available in Reman Only
30-8FG20							
2006-	4Y	12	50	27060-78158-71	101211-8700	210-7022	Available in Reman Only
30-8FG25							
2006-	4Y	12	50	27060-78158-71	101211-8700	210-7022	Available in Reman Only



YEAR	ENGINE	VOLTS	AMPS	OEM PART NUMBER	NEW PART NUMBER	REMAN PART NUMBER	APPLICATION INFORMATION
TOYOTA (continued)							
30-8FG30							
2006-	4Y	12	50	27060-78158-71	101211-8700	210-7022	Available in Reman Only
30-8FGJ35							
2006-	4Y	12	50	27060-78158-71	101211-8700	210-7022	Available in Reman Only
30-8FGN15							
2006-	4Y	12	50	27060-78158-71	101211-8700	210-7022	Available in Reman Only
30-8FGN20							
2006-	4Y	12	50	27060-78158-71	101211-8700	210-7022	Available in Reman Only
30-8FGN25							
2006-	4Y	12	50	27060-78158-71	101211-8700	210-7022	Available in Reman Only
30-8FGN30							
2006-	4Y	12	50	27060-78158-71	101211-8700	210-7022	Available in Reman Only
32-8FG10							
2006-	4Y	12	50	27060-78158-71	101211-8700	210-7022	Available in Reman Only
32-8FG15							
2006-	4Y	12	50	27060-78158-71	101211-8700	210-7022	Available in Reman Only
32-8FG18							
2006-	4Y	12	50	27060-78158-71	101211-8700	210-7022	Available in Reman Only
32-8FG20							
2006-	4Y	12	50	27060-78158-71	101211-8700	210-7022	Available in Reman Only
32-8FG25							
2006-	4Y	12	50	27060-78158-71	101211-8700	210-7022	Available in Reman Only
32-8FG30							
2006-	4Y	12	50	27060-78158-71	101211-8700	210-7022	Available in Reman Only
32-8FGJ35							
2006-	4Y	12	50	27060-78158-71	101211-8700	210-7022	Available in Reman Only
32-8FGK20							
2006-	4Y	12	50	27060-78158-71	101211-8700	210-7022	Available in Reman Only
32-8FGK25							
2006-	4Y	12	50	27060-78158-71	101211-8700	210-7022	Available in Reman Only
32-8FGK30							
2006-	4Y	12	50	27060-78158-71	101211-8700	210-7022	Available in Reman Only
32-8FGN15							
2006-	4Y	12	50	27060-78158-71	101211-8700	210-7022	Available in Reman Only
32-8FGN20							
2006-	4Y	12	50	27060-78158-71	101211-8700	210-7022	Available in Reman Only
32-8FGN25							
2006-	4Y	12	50	27060-78158-71	101211-8700	210-7022	Available in Reman Only
32-8FGN30							
2006-	4Y	12	50	27060-78158-71	101211-8700	210-7022	Available in Reman Only
02-7FD10							
1999-2000	1DZ	12	50	27060-78201-71	101211-3680	210-7023	Available in Reman Only
2003-2006	1DZ	12	50	27060-78203-71	101211-3680	210-7023	Available in Reman Only



YEAR	ENGINE	VOLTS	AMPS	OEM PART NUMBER	NEW PART NUMBER	REMAN PART NUMBER	APPLICATION INFORMATION
TOYOTA (continued)							
02-7FD10 (continued)							
1999-2000	1DZ	12	50	27060-78203-71	101211-3680	210-7023	Available in Reman Only
2000-2002	1DZ	12	50	27060-78203-71	101211-3680	210-7023	Available in Reman Only
02-8FDF15							
2007-	1DZ..15,18,K20	12	50	27060-78203-71	101211-3680	210-7023	Available in Reman Only
02-8FDF18							
2007-	1DZ..15,18,K20	12	50	27060-78203-71	101211-3680	210-7023	Available in Reman Only
02-8FDF20							
2007-	1DZ..20,25,30	12	50	27060-78203-71	101211-3680	210-7023	Available in Reman Only
02-8FDF25							
2007-	1DZ..20,25,30	12	50	27060-78203-71	101211-3680	210-7023	Available in Reman Only
02-8FDF30							
2007-	1DZ..20,25,30	12	50	27060-78203-71	101211-3680	210-7023	Available in Reman Only
02-8FDKF20							
2007-	1DZ..15,18,K20	12	50	27060-78203-71	101211-3680	210-7023	Available in Reman Only
30-5SDK10							
2008-	2Z	12	50	27060-78203-71	101211-3680	210-7023	Available in Reman Only
30-5SDK11							
2008-	2Z	12	50	27060-78203-71	101211-3680	210-7023	Available in Reman Only
30-5SDK8							
2008-	1DZ	12	50	27060-78203-71	101211-3680	210-7023	Available in Reman Only
30-5SDK9							
2008-	2Z	12	50	27060-78203-71	101211-3680	210-7023	Available in Reman Only
42-7FD35							
2007-	15Z	12	50	27060-78203-71	101211-3680	210-7023	Available in Reman Only
2007-	14Z	12	50	27060-78203-71	101211-3680	210-7023	Available in Reman Only
42-7FD40							
2007-	15Z	12	50	27060-78203-71	101211-3680	210-7023	Available in Reman Only
2007-	14Z	12	50	27060-78203-71	101211-3680	210-7023	Available in Reman Only
42-7FD45							
2007-	15Z	12	50	27060-78203-71	101211-3680	210-7023	Available in Reman Only
2007-	14Z	12	50	27060-78203-71	101211-3680	210-7023	Available in Reman Only
42-7FDA50							
2007-	15Z	12	50	27060-78203-71	101211-3680	210-7023	Available in Reman Only
2007-	14Z	12	50	27060-78203-71	101211-3680	210-7023	Available in Reman Only
42-7FDK40							
2007-	15Z	12	50	27060-78203-71	101211-3680	210-7023	Available in Reman Only
2007-	14Z	12	50	27060-78203-71	101211-3680	210-7023	Available in Reman Only
5FD50							
2007-	14Z	12	50	27060-78203-71	101211-3680	210-7023	Available in Reman Only
5FD60							
2007-	14Z	12	50	27060-78203-71	101211-3680	210-7023	Available in Reman Only
5FD70							
2007-	14Z	12	50	27060-78203-71	101211-3680	210-7023	Available in Reman Only



YEAR	ENGINE	VOLTS	AMPS	OEM PART NUMBER	NEW PART NUMBER	REMAN PART NUMBER	APPLICATION INFORMATION
TOYOTA (continued)							
5FDM60							
2007-	14Z	12	50	27060-78203-71	101211-3680	210-7023	Available in Reman Only
5FDM70							
2007-	14Z	12	50	27060-78203-71	101211-3680	210-7023	Available in Reman Only
60-5FD80							
2007-	14Z	12	50	27060-78203-71	101211-3680	210-7023	Available in Reman Only
60-8FD10							
2006-	1DZ	12	50	27060-78203-71	101211-3680	210-7023	Available in Reman Only
60-8FD15							
2006-	1DZ	12	50	27060-78203-71	101211-3680	210-7023	Available in Reman Only
60-8FD20							
2006-	1DZ	12	50	27060-78203-71	101211-3680	210-7023	Available in Reman Only
60-8FD25							
2006-	1DZ	12	50	27060-78203-71	101211-3680	210-7023	Available in Reman Only
60-8FD30							
2006-	1DZ	12	50	27060-78203-71	101211-3680	210-7023	Available in Reman Only
60-8FDN15							
2006-	1DZ	12	50	27060-78203-71	101211-3680	210-7023	Available in Reman Only
60-8FDN20							
2006-	1DZ	12	50	27060-78203-71	101211-3680	210-7023	Available in Reman Only
60-8FDN25							
2006-	1DZ	12	50	27060-78203-71	101211-3680	210-7023	Available in Reman Only
60-8FDN30							
2006-	1DZ	12	50	27060-78203-71	101211-3680	210-7023	Available in Reman Only
62-8FD10							
2006-	1DZ	12	50	27060-78203-71	101211-3680	210-7023	Available in Reman Only
62-8FD15							
2006-	1DZ	12	50	27060-78203-71	101211-3680	210-7023	Available in Reman Only
62-8FD18							
2006-	1DZ	12	50	27060-78203-71	101211-3680	210-7023	Available in Reman Only
62-8FD20							
2006-	1DZ	12	50	27060-78203-71	101211-3680	210-7023	Available in Reman Only
62-8FD25							
2006-	1DZ	12	50	27060-78203-71	101211-3680	210-7023	Available in Reman Only
62-8FD30							
2006-	1DZ	12	50	27060-78203-71	101211-3680	210-7023	Available in Reman Only
62-8FDK20							
2006-	1DZ	12	50	27060-78203-71	101211-3680	210-7023	Available in Reman Only
62-8FDK25							
2006-	1DZ	12	50	27060-78203-71	101211-3680	210-7023	Available in Reman Only
62-8FDK30							
2006-	1DZ	12	50	27060-78203-71	101211-3680	210-7023	Available in Reman Only



YEAR	ENGINE	VOLTS	AMPS	OEM PART NUMBER	NEW PART NUMBER	REMAN PART NUMBER	APPLICATION INFORMATION
TOYOTA (continued)							
62-8FDN15							
2006-	1DZ	12	50	27060-78203-71	101211-3680	210-7023	Available in Reman Only
62-8FDN20							
2006-	1DZ	12	50	27060-78203-71	101211-3680	210-7023	Available in Reman Only
62-8FDN25							
2006-	1DZ	12	50	27060-78203-71	101211-3680	210-7023	Available in Reman Only
62-8FDN30							
2006-	1DZ	12	50	27060-78203-71	101211-3680	210-7023	Available in Reman Only
70-8FD20							
2006-	2Z	12	50	27060-78203-71	101211-3680	210-7023	Available in Reman Only
70-8FD25							
2006-	2Z	12	50	27060-78203-71	101211-3680	210-7023	Available in Reman Only
70-8FD30							
2006-	2Z	12	50	27060-78203-71	101211-3680	210-7023	Available in Reman Only
70-8FDJ35							
2006-	2Z	12	50	27060-78203-71	101211-3680	210-7023	Available in Reman Only
70-8FDN20							
2006-	2Z	12	50	27060-78203-71	101211-3680	210-7023	Available in Reman Only
70-8FDN25							
2006-	2Z	12	50	27060-78203-71	101211-3680	210-7023	Available in Reman Only
70-8FDN30							
2006-	2Z	12	50	27060-78203-71	101211-3680	210-7023	Available in Reman Only
72-8FD20							
2006-	2Z	12	50	27060-78203-71	101211-3680	210-7023	Available in Reman Only
72-8FD25							
2006-	2Z	12	50	27060-78203-71	101211-3680	210-7023	Available in Reman Only
72-8FD30							
2006-	2Z	12	50	27060-78203-71	101211-3680	210-7023	Available in Reman Only
72-8FDJ35							
2006-	2Z	12	50	27060-78203-71	101211-3680	210-7023	Available in Reman Only
72-8FDN20							
2006-	2Z	12	50	27060-78203-71	101211-3680	210-7023	Available in Reman Only
72-8FDN25							
2006-	2Z	12	50	27060-78203-71	101211-3680	210-7023	Available in Reman Only
72-8FDN30							
2006-	2Z	12	50	27060-78203-71	101211-3680	210-7023	Available in Reman Only
8FDU15							
2006-	1DZ..15,18	12	50	27060-78203-71	101211-3680	210-7023	Available in Reman Only
8FDU18							
2006-	1DZ..15,18	12	50	27060-78203-71	101211-3680	210-7023	Available in Reman Only
5FDE35							
1988-1989	11Z [12V]	12	40	27060-78301-71	100211-4004	210-7003	Available in Reman Only



YEAR	ENGINE	VOLTS	AMPS	OEM PART NUMBER	NEW PART NUMBER	REMAN PART NUMBER	APPLICATION INFORMATION
TOYOTA (continued)							
5FDF15							
1987-1989	2J	12	40	27060-78301-71	100211-4004	210-7003	Available in Reman Only
02-6FDF15							
1994-1999	1DZ	12	40	27060-78305-71	100211-6931	210-7001	Available in Reman Only
5FDE35							
1989-1996	11Z [12V]	12	40	27060-78305-71	100211-6931	210-7001	Available in Reman Only
5FDF15							
1989-1994	1DZ	12	40	27060-78305-71	100211-6931	210-7001	Available in Reman Only
1989	2J	12	40	27060-78305-71	100211-6931	210-7001	Available in Reman Only
02-7FD10							
1998-1999	1DZ	12	60	27060-78700-71	102211-5850	210-7024	Available in Reman Only
2000-2003	1DZ (IN-LINE PUMP)	12	60	27060-78700-71	102211-5850	210-7024	Available in Reman Only
1999-2000	1DZ	12	60	27060-78700-71	102211-5850	210-7024	Available in Reman Only
02-8FDF15							
2007-	1DZ..15,18,K20 (AUTO SPEED CONT, DPF)	12	60	27060-78701-71	102211-5850	210-7024	Available in Reman Only
2007-	1DZ..15,18,K20 (HI-CAPACITY)	12	60	27060-78701-71	102211-5850	210-7024	Available in Reman Only
02-8FDF18							
2007-	1DZ..15,18,K20 (AUTO SPEED CONT, DPF)	12	60	27060-78701-71	102211-5850	210-7024	Available in Reman Only
2007-	1DZ..15,18,K20 (HI-CAPACITY)	12	60	27060-78701-71	102211-5850	210-7024	Available in Reman Only
02-8FDF20							
2007-	1DZ..20,25,30 (HI-CAPACITY, AUTO SPEED CONT, DPF)	12	60	27060-78701-71	102211-5850	210-7024	Available in Reman Only
02-8FDF25							
2007-	1DZ..20,25,30 (HI-CAPACITY, AUTO SPEED CONT, DPF)	12	60	27060-78701-71	102211-5850	210-7024	Available in Reman Only
02-8FDF30							
2007-	1DZ..20,25,30 (HI-CAPACITY, AUTO SPEED CONT, DPF)	12	60	27060-78701-71	102211-5850	210-7024	Available in Reman Only
02-8FDKF20							
2007-	1DZ..15,18,K20 (AUTO SPEED CONT, DPF)	12	60	27060-78701-71	102211-5850	210-7024	Available in Reman Only
2007-	1DZ..15,18,K20 (HI-CAPACITY)	12	60	27060-78701-71	102211-5850	210-7024	Available in Reman Only
42-7FD35							
2007-	15Z (ARCTIC, HI-CAPACITY, COOLER, HEATER)	12	60	27060-78701-71	102211-5850	210-7024	Available in Reman Only
2005-2007	14Z [60A]	12	60	27060-78701-71	102211-5850	210-7024	Available in Reman Only



YEAR	ENGINE	VOLTS	AMPS	OEM PART NUMBER	NEW PART NUMBER	REMAN PART NUMBER	APPLICATION INFORMATION
TOYOTA (continued)							
42-7FD35 (continued)							
2007-	14Z (L/INTAKE HEATER..COOLER, HEATER)	12	60	27060-78701-71	102211-5850	210-7024	Available in Reman Only
2007-	14Z (L/INTAKE HEATER..COOLER, HEATER)	12	60	27060-78701-71	102211-5850	210-7024	Available in Reman Only
2007-	14Z (HI-CAPACITY..L/INTAKE HEATER)	12	60	27060-78701-71	102211-5850	210-7024	Available in Reman Only
2007-	14Z (ARCTIC, HI-CAPACITY, HEATER)	12	60	27060-78701-71	102211-5850	210-7024	Available in Reman Only
2007-	14Z (L/INTAKE HEATER..COOLER..HEATER)	12	60	27060-78701-71	102211-5850	210-7024	Available in Reman Only
42-7FD40							
2007-	15Z (ARCTIC, HI-CAPACITY, COOLER, HEATER)	12	60	27060-78701-71	102211-5850	210-7024	Available in Reman Only
2005-2007	14Z [60A]	12	60	27060-78701-71	102211-5850	210-7024	Available in Reman Only
2007-	14Z (L/INTAKE HEATER..COOLER, HEATER)	12	60	27060-78701-71	102211-5850	210-7024	Available in Reman Only
2007-	14Z (L/INTAKE HEATER..COOLER, HEATER)	12	60	27060-78701-71	102211-5850	210-7024	Available in Reman Only
2007-	14Z (HI-CAPACITY..L/INTAKE HEATER)	12	60	27060-78701-71	102211-5850	210-7024	Available in Reman Only
2007-	14Z (ARCTIC, HI-CAPACITY, HEATER)	12	60	27060-78701-71	102211-5850	210-7024	Available in Reman Only
2007-	14Z (L/INTAKE HEATER..COOLER..HEATER)	12	60	27060-78701-71	102211-5850	210-7024	Available in Reman Only
42-7FD45							
2007-	15Z (ARCTIC, HI-CAPACITY, COOLER, HEATER)	12	60	27060-78701-71	102211-5850	210-7024	Available in Reman Only
2005-2007	14Z [60A]	12	60	27060-78701-71	102211-5850	210-7024	Available in Reman Only
2007-	14Z (L/INTAKE HEATER..COOLER, HEATER)	12	60	27060-78701-71	102211-5850	210-7024	Available in Reman Only
2007-	14Z (L/INTAKE HEATER..COOLER, HEATER)	12	60	27060-78701-71	102211-5850	210-7024	Available in Reman Only
2007-	14Z (HI-CAPACITY..L/INTAKE HEATER)	12	60	27060-78701-71	102211-5850	210-7024	Available in Reman Only
2007-	14Z (ARCTIC, HI-CAPACITY, HEATER)	12	60	27060-78701-71	102211-5850	210-7024	Available in Reman Only
2007-	14Z (L/INTAKE HEATER..COOLER..HEATER)	12	60	27060-78701-71	102211-5850	210-7024	Available in Reman Only
42-7FDA50							
2007-	15Z (ARCTIC, HI-CAPACITY, COOLER, HEATER)	12	60	27060-78701-71	102211-5850	210-7024	Available in Reman Only



YEAR	ENGINE	VOLTS	AMPS	OEM PART NUMBER	NEW PART NUMBER	REMAN PART NUMBER	APPLICATION INFORMATION
TOYOTA (continued)							
42-7FDA50 (continued)							
2005-2007	14Z [60A]	12	60	27060-78701-71	102211-5850	210-7024	Available in Reman Only
2007-	14Z (L/INTAKE HEATER..COOLER, HEATER)	12	60	27060-78701-71	102211-5850	210-7024	Available in Reman Only
2007-	14Z (L/INTAKE HEATER..COOLER, HEATER)	12	60	27060-78701-71	102211-5850	210-7024	Available in Reman Only
2007-	14Z (HI-CAPACITY..L/INTAKE HEATER)	12	60	27060-78701-71	102211-5850	210-7024	Available in Reman Only
2007-	14Z (ARCTIC, HI-CAPACITY, HEATER)	12	60	27060-78701-71	102211-5850	210-7024	Available in Reman Only
2007-	14Z (L/INTAKE HEATER..COOLER..HEATER)	12	60	27060-78701-71	102211-5850	210-7024	Available in Reman Only
42-7FDK40							
2007-	15Z (ARCTIC, HI-CAPACITY, COOLER, HEATER)	12	60	27060-78701-71	102211-5850	210-7024	Available in Reman Only
2005-2007	14Z [60A]	12	60	27060-78701-71	102211-5850	210-7024	Available in Reman Only
2007-	14Z (L/INTAKE HEATER..COOLER, HEATER)	12	60	27060-78701-71	102211-5850	210-7024	Available in Reman Only
2007-	14Z (L/INTAKE HEATER..COOLER, HEATER)	12	60	27060-78701-71	102211-5850	210-7024	Available in Reman Only
2007-	14Z (HI-CAPACITY..L/INTAKE HEATER)	12	60	27060-78701-71	102211-5850	210-7024	Available in Reman Only
2007-	14Z (ARCTIC, HI-CAPACITY, HEATER)	12	60	27060-78701-71	102211-5850	210-7024	Available in Reman Only
2007-	14Z (L/INTAKE HEATER..COOLER..HEATER)	12	60	27060-78701-71	102211-5850	210-7024	Available in Reman Only
52-8FDF20							
2007-	3Z	12	60	27060-78701-71	102211-5850	210-7024	Available in Reman Only
52-8FDF25							
2007-	3Z	12	60	27060-78701-71	102211-5850	210-7024	Available in Reman Only
52-8FDF30							
2007-	3Z	12	60	27060-78701-71	102211-5850	210-7024	Available in Reman Only
52-8FDJF35							
2007-	3Z	12	60	27060-78701-71	102211-5850	210-7024	Available in Reman Only
5FD50							
2007	14Z..50,60,70,80 (HI-CAPACITY..L/INTAKE HEATER)	12	60	27060-78701-71	102211-5850	210-7024	Available in Reman Only
2007	14Z (HI-CAPACITY, AIR CONDITIONER)	12	60	27060-78701-71	102211-5850	210-7024	Available in Reman Only
2007-	14Z..50,60,70 (HI-CAPACITY, AIR CONDITIONER)	12	60	27060-78701-71	102211-5850	210-7024	Available in Reman Only
2007-	14Z..50,60,70 (HI-CAPACITY..L/INTAKE HEATER)	12	60	27060-78701-71	102211-5850	210-7024	Available in Reman Only



YEAR	ENGINE	VOLTS	AMPS	OEM PART NUMBER	NEW PART NUMBER	REMAN PART NUMBER	APPLICATION INFORMATION
TOYOTA (continued)							
5FD60							
2007	14Z..50,60,70,80 (HI-CAPACITY..L/INTAKE HEATER)	12	60	27060-78701-71	102211-5850	210-7024	Available in Reman Only
2007	14Z (HI-CAPACITY, AIR CONDITIONER)	12	60	27060-78701-71	102211-5850	210-7024	Available in Reman Only
2007-	14Z..50,60,70 (HI-CAPACITY, AIR CONDITIONER)	12	60	27060-78701-71	102211-5850	210-7024	Available in Reman Only
2007-	14Z..50,60,70 (HI-CAPACITY..L/INTAKE HEATER)	12	60	27060-78701-71	102211-5850	210-7024	Available in Reman Only
5FD70							
2007	14Z..50,60,70,80 (HI-CAPACITY..L/INTAKE HEATER)	12	60	27060-78701-71	102211-5850	210-7024	Available in Reman Only
2007	14Z (HI-CAPACITY, AIR CONDITIONER)	12	60	27060-78701-71	102211-5850	210-7024	Available in Reman Only
2007-	14Z..50,60,70 (HI-CAPACITY, AIR CONDITIONER)	12	60	27060-78701-71	102211-5850	210-7024	Available in Reman Only
2007-	14Z..50,60,70 (HI-CAPACITY..L/INTAKE HEATER)	12	60	27060-78701-71	102211-5850	210-7024	Available in Reman Only
5FDM60							
2007	14Z (HI-CAPACITY, AIR CONDITIONER)	12	60	27060-78701-71	102211-5850	210-7024	Available in Reman Only
2007-	14Z..M60,M70 (HI-CAPACITY, AIR CONDITIONER)	12	60	27060-78701-71	102211-5850	210-7024	Available in Reman Only
5FDM70							
2007	14Z (HI-CAPACITY, AIR CONDITIONER)	12	60	27060-78701-71	102211-5850	210-7024	Available in Reman Only
2007-	14Z..M60,M70 (HI-CAPACITY, AIR CONDITIONER)	12	60	27060-78701-71	102211-5850	210-7024	Available in Reman Only
60-5FD80							
2007	14Z..50,60,70,80 (HI-CAPACITY..L/INTAKE HEATER)	12	60	27060-78701-71	102211-5850	210-7024	Available in Reman Only
2007	14Z (HI-CAPACITY, AIR CONDITIONER)	12	60	27060-78701-71	102211-5850	210-7024	Available in Reman Only
2007-	14Z..80 (HI-CAPACITY..L/INTAKE HEATER)	12	60	27060-78701-71	102211-5850	210-7024	Available in Reman Only
2007-	14Z..80 (HI-CAPACITY, AIR CONDITIONER)	12	60	27060-78701-71	102211-5850	210-7024	Available in Reman Only



YEAR	ENGINE	VOLTS	AMPS	OEM PART NUMBER	NEW PART NUMBER	REMAN PART NUMBER	APPLICATION INFORMATION
TOYOTA (continued)							
60-8FD10							
2008-	1DZ..10N,15N,18N,K20N,K25N,K30N (HI-CAPACITY..LOW NOISE, 2-DOOR CABIN, PREMIUM CABIN)	12	60	27060-78701-71	102211-5850	210-7024	Available in Reman Only
2008-	1DZ..10N,15N,18N,K20N,K25N,K30N (HEATER..LOW NOISE, 2-DOOR CABIN, PREMIUM CABIN)	12	60	27060-78701-71	102211-5850	210-7024	Available in Reman Only
2008-	1DZ..10N,15N,18N,K20N,K25N,K30N (HEATER..COOLING PACKAGE, PAPER SPEC BALE, OIL CLUTCH, PLATE FIN)	12	60	27060-78701-71	102211-5850	210-7024	Available in Reman Only
2008-	1DZ..10N,15N,18N,K20N,K25N,K30N (HI-CAPACITY..COOLING PACKAGE, PAPER SPEC BALE, OIL CLUTCH, PLATE FIN)	12	60	27060-78701-71	102211-5850	210-7024	Available in Reman Only
2008-	1DZ..10N,15N,18N,K20N,K25N,K30N (HI-CAPACITY..LOW NOISE, 2-DOOR CABIN, PREMIUM CABIN)	12	60	27060-78701-71	102211-5850	210-7024	Available in Reman Only
2008-	1DZ..10N,15N,18N,K20N,K25N,K30N (HI-CAPACITY..LOW NOISE, 2-DOOR CABIN, PREMIUM CABIN)	12	60	27060-78701-71	102211-5850	210-7024	Available in Reman Only
2008-	1DZ..10N,15N,18N,K20N,K25N,K30N (HI-CAPACITY..COOLING PACKAGE, PAPER SPEC BALE, OIL CLUTCH, PLATE FIN)	12	60	27060-78701-71	102211-5850	210-7024	Available in Reman Only
2008-	1DZ..10N,15N,18N,K20N,K25N,K30N (HI-CAPACITY..COOLING PACKAGE, PAPER SPEC BALE, OIL CLUTCH, PLATE FIN)	12	60	27060-78701-71	102211-5850	210-7024	Available in Reman Only
2008-	1DZ..10N,15N,18N,K20N,K25N,K30N (HEATER..COOLING PACKAGE, PAPER SPEC BALE, OIL CLUTCH, PLATE FIN)	12	60	27060-78701-71	102211-5850	210-7024	Available in Reman Only
2008-	1DZ..10N,15N,18N,K20N,K25N,K30N (HI-CAPACITY, HEATER)	12	60	27060-78701-71	102211-5850	210-7024	Available in Reman Only
2008-	1DZ..10N,15N,18N,K20N,K25N,K30N (HEATER..LOW NOISE, 2-DOOR CABIN, PREMIUM CABIN)	12	60	27060-78701-71	102211-5850	210-7024	Available in Reman Only
2008-	1DZ..10N,15N,18N,K20N,K25N,K30N (HI-CAPACITY..COOLING PACKAGE, PAPER SPEC BALE, OIL CLUTCH, PLATE FIN)	12	60	27060-78701-71	102211-5850	210-7024	Available in Reman Only
2006-	1DZ..10N,15N (DPF, DPF-2)	12	60	27060-78701-71	102211-5850	210-7024	Available in Reman Only
2008-	1DZ..10N,15N,18N,K20N,K25N,K30N (HEATER..LOW NOISE, 2-DOOR CABIN, PREMIUM CABIN)	12	60	27060-78701-71	102211-5850	210-7024	Available in Reman Only



YEAR	ENGINE	VOLTS	AMPS	OEM PART NUMBER	NEW PART NUMBER	REMAN PART NUMBER	APPLICATION INFORMATION
TOYOTA (continued)							
60-8FD10 (continued)							
2008-	1DZ..10N,15N,18N,K20N,K25N,K30N (HEATER..COOLING PACKAGE, PAPER SPEC BALE, OIL CLUTCH, PLATE FIN)	12	60	27060-78701-71	102211-5850	210-7024	Available in Reman Only
2006-	1DZ (AUTO SPEED CONT)	12	60	27060-78701-71	102211-5850	210-7024	Available in Reman Only
2008-	1DZ..10N,15N,18N,K20N,K25N,K30N (HEATER..COOLING PACKAGE, PAPER SPEC BALE, OIL CLUTCH, PLATE FIN)	12	60	27060-78701-71	102211-5850	210-7024	Available in Reman Only
60-8FD15							
2008-	1DZ..10N,15N,18N,K20N,K25N,K30N (HI-CAPACITY..LOW NOISE, 2-DOOR CABIN, PREMIUM CABIN)	12	60	27060-78701-71	102211-5850	210-7024	Available in Reman Only
2008-	1DZ..10N,15N,18N,K20N,K25N,K30N (HEATER..LOW NOISE, 2-DOOR CABIN, PREMIUM CABIN)	12	60	27060-78701-71	102211-5850	210-7024	Available in Reman Only
2008-	1DZ..10N,15N,18N,K20N,K25N,K30N (HEATER..COOLING PACKAGE, PAPER SPEC BALE, OIL CLUTCH, PLATE FIN)	12	60	27060-78701-71	102211-5850	210-7024	Available in Reman Only
2008-	1DZ..10N,15N,18N,K20N,K25N,K30N (HI-CAPACITY..COOLING PACKAGE, PAPER SPEC BALE, OIL CLUTCH, PLATE FIN)	12	60	27060-78701-71	102211-5850	210-7024	Available in Reman Only
2008-	1DZ..10N,15N,18N,K20N,K25N,K30N (HI-CAPACITY..LOW NOISE, 2-DOOR CABIN, PREMIUM CABIN)	12	60	27060-78701-71	102211-5850	210-7024	Available in Reman Only
2008-	1DZ..10N,15N,18N,K20N,K25N,K30N (HI-CAPACITY..LOW NOISE, 2-DOOR CABIN, PREMIUM CABIN)	12	60	27060-78701-71	102211-5850	210-7024	Available in Reman Only
2008-	1DZ..10N,15N,18N,K20N,K25N,K30N (HI-CAPACITY..COOLING PACKAGE, PAPER SPEC BALE, OIL CLUTCH, PLATE FIN)	12	60	27060-78701-71	102211-5850	210-7024	Available in Reman Only
2008-	1DZ..10N,15N,18N,K20N,K25N,K30N (HI-CAPACITY..COOLING PACKAGE, PAPER SPEC BALE, OIL CLUTCH, PLATE FIN)	12	60	27060-78701-71	102211-5850	210-7024	Available in Reman Only
2008-	1DZ..10N,15N,18N,K20N,K25N,K30N (HEATER..COOLING PACKAGE, PAPER SPEC BALE, OIL CLUTCH, PLATE FIN)	12	60	27060-78701-71	102211-5850	210-7024	Available in Reman Only
2008-	1DZ..10N,15N,18N,K20N,K25N,K30N (HI-CAPACITY, HEATER)	12	60	27060-78701-71	102211-5850	210-7024	Available in Reman Only



YEAR	ENGINE	VOLTS	AMPS	OEM PART NUMBER	NEW PART NUMBER	REMAN PART NUMBER	APPLICATION INFORMATION
TOYOTA (continued)							
60-8FD15 (continued)							
2008-	1DZ..10N,15N,18N,K20N,K25N,K30N (HEATER..LOW NOISE, 2-DOOR CABIN, PREMIUM CABIN)	12	60	27060-78701-71	102211-5850	210-7024	Available in Reman Only
2008-	1DZ..10N,15N,18N,K20N,K25N,K30N (HI-CAPACITY..COOLING PACKAGE, PAPER SPEC BALE, OIL CLUTCH, PLATE FIN)	12	60	27060-78701-71	102211-5850	210-7024	Available in Reman Only
2006-	1DZ..10N,15N (DPF, DPF-2)	12	60	27060-78701-71	102211-5850	210-7024	Available in Reman Only
2008-	1DZ..10N,15N,18N,K20N,K25N,K30N (HEATER..LOW NOISE, 2-DOOR CABIN, PREMIUM CABIN)	12	60	27060-78701-71	102211-5850	210-7024	Available in Reman Only
2008-	1DZ..10N,15N,18N,K20N,K25N,K30N (HEATER..COOLING PACKAGE, PAPER SPEC BALE, OIL CLUTCH, PLATE FIN)	12	60	27060-78701-71	102211-5850	210-7024	Available in Reman Only
2006-	1DZ (AUTO SPEED CONT)	12	60	27060-78701-71	102211-5850	210-7024	Available in Reman Only
2008-	1DZ..10N,15N,18N,K20N,K25N,K30N (HEATER..COOLING PACKAGE, PAPER SPEC BALE, OIL CLUTCH, PLATE FIN)	12	60	27060-78701-71	102211-5850	210-7024	Available in Reman Only
60-8FD20							
2006-	1DZ..20N,25N,30N (HI-CAPACITY, HEATER)	12	60	27060-78701-71	102211-5850	210-7024	Available in Reman Only
2006-	1DZ (AUTO SPEED CONT)	12	60	27060-78701-71	102211-5850	210-7024	Available in Reman Only
60-8FD25							
2006-	1DZ..20N,25N,30N (HI-CAPACITY, HEATER)	12	60	27060-78701-71	102211-5850	210-7024	Available in Reman Only
2006-	1DZ (AUTO SPEED CONT)	12	60	27060-78701-71	102211-5850	210-7024	Available in Reman Only
60-8FD30							
2006-	1DZ..20N,25N,30N (HI-CAPACITY, HEATER)	12	60	27060-78701-71	102211-5850	210-7024	Available in Reman Only
2006-	1DZ (AUTO SPEED CONT)	12	60	27060-78701-71	102211-5850	210-7024	Available in Reman Only
60-8FDN15							
2006-	1DZ (AUTO SPEED CONT)	12	60	27060-78701-71	102211-5850	210-7024	Available in Reman Only
2006-2008	1DZ..15 (HI-CAPACITY, HEATER)	12	60	27060-78701-71	102211-5850	210-7024	Available in Reman Only
2006-	1DZ..15 (DPF)	12	60	27060-78701-71	102211-5850	210-7024	Available in Reman Only
60-8FDN20							
2006-	1DZ (AUTO SPEED CONT)	12	60	27060-78701-71	102211-5850	210-7024	Available in Reman Only
60-8FDN25							
2006-	1DZ (AUTO SPEED CONT)	12	60	27060-78701-71	102211-5850	210-7024	Available in Reman Only
60-8FDN30							
2006-	1DZ (AUTO SPEED CONT)	12	60	27060-78701-71	102211-5850	210-7024	Available in Reman Only



YEAR	ENGINE	VOLTS	AMPS	OEM PART NUMBER	NEW PART NUMBER	REMAN PART NUMBER	APPLICATION INFORMATION
TOYOTA (continued)							
62-8FD10							
2008-	1DZ..10N,15N,18N,K20N,K25N,K30N (HI-CAPACITY..LOW NOISE, 2-DOOR CABIN, PREMIUM CABIN)	12	60	27060-78701-71	102211-5850	210-7024	Available in Reman Only
2008-	1DZ..10N,15N,18N,K20N,K25N,K30N (HEATER..LOW NOISE, 2-DOOR CABIN, PREMIUM CABIN)	12	60	27060-78701-71	102211-5850	210-7024	Available in Reman Only
2008-	1DZ..10N,15N,18N,K20N,K25N,K30N (HEATER..COOLING PACKAGE, PAPER SPEC BALE, OIL CLUTCH, PLATE FIN)	12	60	27060-78701-71	102211-5850	210-7024	Available in Reman Only
2008-	1DZ..10N,15N,18N,K20N,K25N,K30N (HI-CAPACITY..COOLING PACKAGE, PAPER SPEC BALE, OIL CLUTCH, PLATE FIN)	12	60	27060-78701-71	102211-5850	210-7024	Available in Reman Only
2008-	1DZ..10N,15N,18N,K20N,K25N,K30N (HI-CAPACITY..LOW NOISE, 2-DOOR CABIN, PREMIUM CABIN)	12	60	27060-78701-71	102211-5850	210-7024	Available in Reman Only
2008-	1DZ..10N,15N,18N,K20N,K25N,K30N (HI-CAPACITY..LOW NOISE, 2-DOOR CABIN, PREMIUM CABIN)	12	60	27060-78701-71	102211-5850	210-7024	Available in Reman Only
2008-	1DZ..10N,15N,18N,K20N,K25N,K30N (HI-CAPACITY..COOLING PACKAGE, PAPER SPEC BALE, OIL CLUTCH, PLATE FIN)	12	60	27060-78701-71	102211-5850	210-7024	Available in Reman Only
2008-	1DZ..10N,15N,18N,K20N,K25N,K30N (HI-CAPACITY..COOLING PACKAGE, PAPER SPEC BALE, OIL CLUTCH, PLATE FIN)	12	60	27060-78701-71	102211-5850	210-7024	Available in Reman Only
2008-	1DZ..10N,15N,18N,K20N,K25N,K30N (HEATER..COOLING PACKAGE, PAPER SPEC BALE, OIL CLUTCH, PLATE FIN)	12	60	27060-78701-71	102211-5850	210-7024	Available in Reman Only
2008-	1DZ..10N,15N,18N,K20N,K25N,K30N (HI-CAPACITY, HEATER)	12	60	27060-78701-71	102211-5850	210-7024	Available in Reman Only
2008-	1DZ..10N,15N,18N,K20N,K25N,K30N (HEATER..LOW NOISE, 2-DOOR CABIN, PREMIUM CABIN)	12	60	27060-78701-71	102211-5850	210-7024	Available in Reman Only
2008-	1DZ..10N,15N,18N,K20N,K25N,K30N (HI-CAPACITY..COOLING PACKAGE, PAPER SPEC BALE, OIL CLUTCH, PLATE FIN)	12	60	27060-78701-71	102211-5850	210-7024	Available in Reman Only
2006-	1DZ..10N,15N (DPF, DPF-2)	12	60	27060-78701-71	102211-5850	210-7024	Available in Reman Only
2008-	1DZ..10N,15N,18N,K20N,K25N,K30N (HEATER..LOW NOISE, 2-DOOR CABIN, PREMIUM CABIN)	12	60	27060-78701-71	102211-5850	210-7024	Available in Reman Only



YEAR	ENGINE	VOLTS	AMPS	OEM PART NUMBER	NEW PART NUMBER	REMAN PART NUMBER	APPLICATION INFORMATION
TOYOTA (continued)							
62-8FD10 (continued)							
2008-	1DZ..10N,15N,18N,K20N,K25N,K30N (HEATER..COOLING PACKAGE, PAPER SPEC BALE, OIL CLUTCH, PLATE FIN)	12	60	27060-78701-71	102211-5850	210-7024	Available in Reman Only
2006-	1DZ (AUTO SPEED CONT)	12	60	27060-78701-71	102211-5850	210-7024	Available in Reman Only
2008-	1DZ..10N,15N,18N,K20N,K25N,K30N (HEATER..COOLING PACKAGE, PAPER SPEC BALE, OIL CLUTCH, PLATE FIN)	12	60	27060-78701-71	102211-5850	210-7024	Available in Reman Only
62-8FD15							
2008-	1DZ..10N,15N,18N,K20N,K25N,K30N (HI-CAPACITY..LOW NOISE, 2-DOOR CABIN, PREMIUM CABIN)	12	60	27060-78701-71	102211-5850	210-7024	Available in Reman Only
2008-	1DZ..10N,15N,18N,K20N,K25N,K30N (HEATER..LOW NOISE, 2-DOOR CABIN, PREMIUM CABIN)	12	60	27060-78701-71	102211-5850	210-7024	Available in Reman Only
2008-	1DZ..10N,15N,18N,K20N,K25N,K30N (HEATER..COOLING PACKAGE, PAPER SPEC BALE, OIL CLUTCH, PLATE FIN)	12	60	27060-78701-71	102211-5850	210-7024	Available in Reman Only
2008-	1DZ..10N,15N,18N,K20N,K25N,K30N (HI-CAPACITY..COOLING PACKAGE, PAPER SPEC BALE, OIL CLUTCH, PLATE FIN)	12	60	27060-78701-71	102211-5850	210-7024	Available in Reman Only
2008-	1DZ..10N,15N,18N,K20N,K25N,K30N (HI-CAPACITY..LOW NOISE, 2-DOOR CABIN, PREMIUM CABIN)	12	60	27060-78701-71	102211-5850	210-7024	Available in Reman Only
2008-	1DZ..10N,15N,18N,K20N,K25N,K30N (HI-CAPACITY..LOW NOISE, 2-DOOR CABIN, PREMIUM CABIN)	12	60	27060-78701-71	102211-5850	210-7024	Available in Reman Only
2008-	1DZ..10N,15N,18N,K20N,K25N,K30N (HI-CAPACITY..COOLING PACKAGE, PAPER SPEC BALE, OIL CLUTCH, PLATE FIN)	12	60	27060-78701-71	102211-5850	210-7024	Available in Reman Only
2008-	1DZ..10N,15N,18N,K20N,K25N,K30N (HI-CAPACITY..COOLING PACKAGE, PAPER SPEC BALE, OIL CLUTCH, PLATE FIN)	12	60	27060-78701-71	102211-5850	210-7024	Available in Reman Only
2008-	1DZ..10N,15N,18N,K20N,K25N,K30N (HEATER..COOLING PACKAGE, PAPER SPEC BALE, OIL CLUTCH, PLATE FIN)	12	60	27060-78701-71	102211-5850	210-7024	Available in Reman Only
2008-	1DZ..10N,15N,18N,K20N,K25N,K30N (HI-CAPACITY, HEATER)	12	60	27060-78701-71	102211-5850	210-7024	Available in Reman Only



YEAR	ENGINE	VOLTS	AMPS	OEM PART NUMBER	NEW PART NUMBER	REMAN PART NUMBER	APPLICATION INFORMATION
TOYOTA (continued)							
62-8FD15 (continued)							
2008-	1DZ..10N,15N,18N,K20N,K25N,K30N (HEATER..LOW NOISE, 2-DOOR CABIN, PREMIUM CABIN)	12	60	27060-78701-71	102211-5850	210-7024	Available in Reman Only
2008-	1DZ..10N,15N,18N,K20N,K25N,K30N (HI-CAPACITY..COOLING PACKAGE, PAPER SPEC BALE, OIL CLUTCH, PLATE FIN)	12	60	27060-78701-71	102211-5850	210-7024	Available in Reman Only
2006-	1DZ..10N,15N (DPF, DPF-2)	12	60	27060-78701-71	102211-5850	210-7024	Available in Reman Only
2008-	1DZ..10N,15N,18N,K20N,K25N,K30N (HEATER..LOW NOISE, 2-DOOR CABIN, PREMIUM CABIN)	12	60	27060-78701-71	102211-5850	210-7024	Available in Reman Only
2008-	1DZ..10N,15N,18N,K20N,K25N,K30N (HEATER..COOLING PACKAGE, PAPER SPEC BALE, OIL CLUTCH, PLATE FIN)	12	60	27060-78701-71	102211-5850	210-7024	Available in Reman Only
2006-	1DZ (AUTO SPEED CONT)	12	60	27060-78701-71	102211-5850	210-7024	Available in Reman Only
2008-	1DZ..10N,15N,18N,K20N,K25N,K30N (HEATER..COOLING PACKAGE, PAPER SPEC BALE, OIL CLUTCH, PLATE FIN)	12	60	27060-78701-71	102211-5850	210-7024	Available in Reman Only
62-8FD18							
2008-	1DZ..10N,15N,18N,K20N,K25N,K30N (HI-CAPACITY..LOW NOISE, 2-DOOR CABIN, PREMIUM CABIN)	12	60	27060-78701-71	102211-5850	210-7024	Available in Reman Only
2008-	1DZ..10N,15N,18N,K20N,K25N,K30N (HEATER..LOW NOISE, 2-DOOR CABIN, PREMIUM CABIN)	12	60	27060-78701-71	102211-5850	210-7024	Available in Reman Only
2008-	1DZ..10N,15N,18N,K20N,K25N,K30N (HEATER..COOLING PACKAGE, PAPER SPEC BALE, OIL CLUTCH, PLATE FIN)	12	60	27060-78701-71	102211-5850	210-7024	Available in Reman Only
2008-	1DZ..10N,15N,18N,K20N,K25N,K30N (HI-CAPACITY..COOLING PACKAGE, PAPER SPEC BALE, OIL CLUTCH, PLATE FIN)	12	60	27060-78701-71	102211-5850	210-7024	Available in Reman Only
2008-	1DZ..10N,15N,18N,K20N,K25N,K30N (HI-CAPACITY..LOW NOISE, 2-DOOR CABIN, PREMIUM CABIN)	12	60	27060-78701-71	102211-5850	210-7024	Available in Reman Only
2008-	1DZ..10N,15N,18N,K20N,K25N,K30N (HI-CAPACITY..LOW NOISE, 2-DOOR CABIN, PREMIUM CABIN)	12	60	27060-78701-71	102211-5850	210-7024	Available in Reman Only



YEAR	ENGINE	VOLTS	AMPS	OEM PART NUMBER	NEW PART NUMBER	REMAN PART NUMBER	APPLICATION INFORMATION
TOYOTA (continued)							
62-8FD18 (continued)							
2008-	1DZ..10N,15N,18N,K20N,K25N,K30N (HI-CAPACITY..COOLING PACKAGE, PAPER SPEC BALE, OIL CLUTCH, PLATE FIN)	12	60	27060-78701-71	102211-5850	210-7024	Available in Reman Only
2008-	1DZ..10N,15N,18N,K20N,K25N,K30N (HI-CAPACITY..COOLING PACKAGE, PAPER SPEC BALE, OIL CLUTCH, PLATE FIN)	12	60	27060-78701-71	102211-5850	210-7024	Available in Reman Only
2008-	1DZ..10N,15N,18N,K20N,K25N,K30N (HEATER..COOLING PACKAGE, PAPER SPEC BALE, OIL CLUTCH, PLATE FIN)	12	60	27060-78701-71	102211-5850	210-7024	Available in Reman Only
2008-	1DZ..10N,15N,18N,K20N,K25N,K30N (HI-CAPACITY, HEATER)	12	60	27060-78701-71	102211-5850	210-7024	Available in Reman Only
2008-	1DZ..10N,15N,18N,K20N,K25N,K30N (HEATER..LOW NOISE, 2-DOOR CABIN, PREMIUM CABIN)	12	60	27060-78701-71	102211-5850	210-7024	Available in Reman Only
2008-	1DZ..10N,15N,18N,K20N,K25N,K30N (HI-CAPACITY..COOLING PACKAGE, PAPER SPEC BALE, OIL CLUTCH, PLATE FIN)	12	60	27060-78701-71	102211-5850	210-7024	Available in Reman Only
2008-	1DZ..10N,15N,18N,K20N,K25N,K30N (HEATER..LOW NOISE, 2-DOOR CABIN, PREMIUM CABIN)	12	60	27060-78701-71	102211-5850	210-7024	Available in Reman Only
2008-	1DZ..10N,15N,18N,K20N,K25N,K30N (HEATER..COOLING PACKAGE, PAPER SPEC BALE, OIL CLUTCH, PLATE FIN)	12	60	27060-78701-71	102211-5850	210-7024	Available in Reman Only
2006-	1DZ (AUTO SPEED CONT)	12	60	27060-78701-71	102211-5850	210-7024	Available in Reman Only
2008-	1DZ..10N,15N,18N,K20N,K25N,K30N (HEATER..COOLING PACKAGE, PAPER SPEC BALE, OIL CLUTCH, PLATE FIN)	12	60	27060-78701-71	102211-5850	210-7024	Available in Reman Only
62-8FD20							
2006-	1DZ..20N,25N,30N (HI-CAPACITY, HEATER)	12	60	27060-78701-71	102211-5850	210-7024	Available in Reman Only
2006-	1DZ (AUTO SPEED CONT)	12	60	27060-78701-71	102211-5850	210-7024	Available in Reman Only
62-8FD25							
2006-	1DZ..20N,25N,30N (HI-CAPACITY, HEATER)	12	60	27060-78701-71	102211-5850	210-7024	Available in Reman Only
2006-	1DZ (AUTO SPEED CONT)	12	60	27060-78701-71	102211-5850	210-7024	Available in Reman Only
62-8FD30							
2006-	1DZ..20N,25N,30N (HI-CAPACITY, HEATER)	12	60	27060-78701-71	102211-5850	210-7024	Available in Reman Only
2006-	1DZ (AUTO SPEED CONT)	12	60	27060-78701-71	102211-5850	210-7024	Available in Reman Only



YEAR	ENGINE	VOLTS	AMPS	OEM PART NUMBER	NEW PART NUMBER	REMAN PART NUMBER	APPLICATION INFORMATION
TOYOTA (continued)							
62-8FDK20							
2008-	1DZ..10N,15N,18N,K20N,K25N,K30N (HI-CAPACITY..LOW NOISE, 2-DOOR CABIN, PREMIUM CABIN)	12	60	27060-78701-71	102211-5850	210-7024	Available in Reman Only
2008-	1DZ..10N,15N,18N,K20N,K25N,K30N (HEATER..LOW NOISE, 2-DOOR CABIN, PREMIUM CABIN)	12	60	27060-78701-71	102211-5850	210-7024	Available in Reman Only
2008-	1DZ..10N,15N,18N,K20N,K25N,K30N (HEATER..COOLING PACKAGE, PAPER SPEC BALE, OIL CLUTCH, PLATE FIN)	12	60	27060-78701-71	102211-5850	210-7024	Available in Reman Only
2008-	1DZ..10N,15N,18N,K20N,K25N,K30N (HI-CAPACITY..COOLING PACKAGE, PAPER SPEC BALE, OIL CLUTCH, PLATE FIN)	12	60	27060-78701-71	102211-5850	210-7024	Available in Reman Only
2008-	1DZ..10N,15N,18N,K20N,K25N,K30N (HI-CAPACITY..LOW NOISE, 2-DOOR CABIN, PREMIUM CABIN)	12	60	27060-78701-71	102211-5850	210-7024	Available in Reman Only
2008-	1DZ..10N,15N,18N,K20N,K25N,K30N (HI-CAPACITY..LOW NOISE, 2-DOOR CABIN, PREMIUM CABIN)	12	60	27060-78701-71	102211-5850	210-7024	Available in Reman Only
2008-	1DZ..10N,15N,18N,K20N,K25N,K30N (HI-CAPACITY..COOLING PACKAGE, PAPER SPEC BALE, OIL CLUTCH, PLATE FIN)	12	60	27060-78701-71	102211-5850	210-7024	Available in Reman Only
2008-	1DZ..10N,15N,18N,K20N,K25N,K30N (HI-CAPACITY..COOLING PACKAGE, PAPER SPEC BALE, OIL CLUTCH, PLATE FIN)	12	60	27060-78701-71	102211-5850	210-7024	Available in Reman Only
2008-	1DZ..10N,15N,18N,K20N,K25N,K30N (HEATER..COOLING PACKAGE, PAPER SPEC BALE, OIL CLUTCH, PLATE FIN)	12	60	27060-78701-71	102211-5850	210-7024	Available in Reman Only
2008-	1DZ..10N,15N,18N,K20N,K25N,K30N (HI-CAPACITY, HEATER)	12	60	27060-78701-71	102211-5850	210-7024	Available in Reman Only
2008-	1DZ..10N,15N,18N,K20N,K25N,K30N (HEATER..LOW NOISE, 2-DOOR CABIN, PREMIUM CABIN)	12	60	27060-78701-71	102211-5850	210-7024	Available in Reman Only
2008-	1DZ..10N,15N,18N,K20N,K25N,K30N (HI-CAPACITY..COOLING PACKAGE, PAPER SPEC BALE, OIL CLUTCH, PLATE FIN)	12	60	27060-78701-71	102211-5850	210-7024	Available in Reman Only
2008-	1DZ..10N,15N,18N,K20N,K25N,K30N (HEATER..LOW NOISE, 2-DOOR CABIN, PREMIUM CABIN)	12	60	27060-78701-71	102211-5850	210-7024	Available in Reman Only



YEAR	ENGINE	VOLTS	AMPS	OEM PART NUMBER	NEW PART NUMBER	REMAN PART NUMBER	APPLICATION INFORMATION
TOYOTA (continued)							
62-8FDK20 (continued)							
2008-	1DZ..10N,15N,18N,K20N,K25N,K30N (HEATER..COOLING PACKAGE, PAPER SPEC BALE, OIL CLUTCH, PLATE FIN)	12	60	27060-78701-71	102211-5850	210-7024	Available in Reman Only
2006-	1DZ (AUTO SPEED CONT)	12	60	27060-78701-71	102211-5850	210-7024	Available in Reman Only
2008-	1DZ..10N,15N,18N,K20N,K25N,K30N (HEATER..COOLING PACKAGE, PAPER SPEC BALE, OIL CLUTCH, PLATE FIN)	12	60	27060-78701-71	102211-5850	210-7024	Available in Reman Only
62-8FDK25							
2008-	1DZ..10N,15N,18N,K20N,K25N,K30N (HI-CAPACITY..LOW NOISE, 2-DOOR CABIN, PREMIUM CABIN)	12	60	27060-78701-71	102211-5850	210-7024	Available in Reman Only
2008-	1DZ..10N,15N,18N,K20N,K25N,K30N (HEATER..LOW NOISE, 2-DOOR CABIN, PREMIUM CABIN)	12	60	27060-78701-71	102211-5850	210-7024	Available in Reman Only
2008-	1DZ..10N,15N,18N,K20N,K25N,K30N (HEATER..COOLING PACKAGE, PAPER SPEC BALE, OIL CLUTCH, PLATE FIN)	12	60	27060-78701-71	102211-5850	210-7024	Available in Reman Only
2008-	1DZ..10N,15N,18N,K20N,K25N,K30N (HI-CAPACITY..COOLING PACKAGE, PAPER SPEC BALE, OIL CLUTCH, PLATE FIN)	12	60	27060-78701-71	102211-5850	210-7024	Available in Reman Only
2008-	1DZ..10N,15N,18N,K20N,K25N,K30N (HI-CAPACITY..LOW NOISE, 2-DOOR CABIN, PREMIUM CABIN)	12	60	27060-78701-71	102211-5850	210-7024	Available in Reman Only
2008-	1DZ..10N,15N,18N,K20N,K25N,K30N (HI-CAPACITY..LOW NOISE, 2-DOOR CABIN, PREMIUM CABIN)	12	60	27060-78701-71	102211-5850	210-7024	Available in Reman Only
2008-	1DZ..10N,15N,18N,K20N,K25N,K30N (HI-CAPACITY..COOLING PACKAGE, PAPER SPEC BALE, OIL CLUTCH, PLATE FIN)	12	60	27060-78701-71	102211-5850	210-7024	Available in Reman Only
2008-	1DZ..10N,15N,18N,K20N,K25N,K30N (HI-CAPACITY..COOLING PACKAGE, PAPER SPEC BALE, OIL CLUTCH, PLATE FIN)	12	60	27060-78701-71	102211-5850	210-7024	Available in Reman Only
2008-	1DZ..10N,15N,18N,K20N,K25N,K30N (HEATER..COOLING PACKAGE, PAPER SPEC BALE, OIL CLUTCH, PLATE FIN)	12	60	27060-78701-71	102211-5850	210-7024	Available in Reman Only
2008-	1DZ..10N,15N,18N,K20N,K25N,K30N (HI-CAPACITY, HEATER)	12	60	27060-78701-71	102211-5850	210-7024	Available in Reman Only



YEAR	ENGINE	VOLTS	AMPS	OEM PART NUMBER	NEW PART NUMBER	REMAN PART NUMBER	APPLICATION INFORMATION
TOYOTA (continued)							
62-8FDK25 (continued)							
2008-	1DZ..10N,15N,18N,K20N,K25N,K30N (HEATER..LOW NOISE, 2-DOOR CABIN, PREMIUM CABIN)	12	60	27060-78701-71	102211-5850	210-7024	Available in Reman Only
2008-	1DZ..10N,15N,18N,K20N,K25N,K30N (HI-CAPACITY..COOLING PACKAGE, PAPER SPEC BALE, OIL CLUTCH, PLATE FIN)	12	60	27060-78701-71	102211-5850	210-7024	Available in Reman Only
2008-	1DZ..10N,15N,18N,K20N,K25N,K30N (HEATER..LOW NOISE, 2-DOOR CABIN, PREMIUM CABIN)	12	60	27060-78701-71	102211-5850	210-7024	Available in Reman Only
2008-	1DZ..10N,15N,18N,K20N,K25N,K30N (HEATER..COOLING PACKAGE, PAPER SPEC BALE, OIL CLUTCH, PLATE FIN)	12	60	27060-78701-71	102211-5850	210-7024	Available in Reman Only
2006-	1DZ (AUTO SPEED CONT)	12	60	27060-78701-71	102211-5850	210-7024	Available in Reman Only
2008-	1DZ..10N,15N,18N,K20N,K25N,K30N (HEATER..COOLING PACKAGE, PAPER SPEC BALE, OIL CLUTCH, PLATE FIN)	12	60	27060-78701-71	102211-5850	210-7024	Available in Reman Only
62-8FDK30							
2008-	1DZ..10N,15N,18N,K20N,K25N,K30N (HI-CAPACITY..LOW NOISE, 2-DOOR CABIN, PREMIUM CABIN)	12	60	27060-78701-71	102211-5850	210-7024	Available in Reman Only
2008-	1DZ..10N,15N,18N,K20N,K25N,K30N (HEATER..LOW NOISE, 2-DOOR CABIN, PREMIUM CABIN)	12	60	27060-78701-71	102211-5850	210-7024	Available in Reman Only
2008-	1DZ..10N,15N,18N,K20N,K25N,K30N (HEATER..COOLING PACKAGE, PAPER SPEC BALE, OIL CLUTCH, PLATE FIN)	12	60	27060-78701-71	102211-5850	210-7024	Available in Reman Only
2008-	1DZ..10N,15N,18N,K20N,K25N,K30N (HI-CAPACITY..COOLING PACKAGE, PAPER SPEC BALE, OIL CLUTCH, PLATE FIN)	12	60	27060-78701-71	102211-5850	210-7024	Available in Reman Only
2008-	1DZ..10N,15N,18N,K20N,K25N,K30N (HI-CAPACITY..LOW NOISE, 2-DOOR CABIN, PREMIUM CABIN)	12	60	27060-78701-71	102211-5850	210-7024	Available in Reman Only
2008-	1DZ..10N,15N,18N,K20N,K25N,K30N (HI-CAPACITY..LOW NOISE, 2-DOOR CABIN, PREMIUM CABIN)	12	60	27060-78701-71	102211-5850	210-7024	Available in Reman Only
2008-	1DZ..10N,15N,18N,K20N,K25N,K30N (HI-CAPACITY..COOLING PACKAGE, PAPER SPEC BALE, OIL CLUTCH, PLATE FIN)	12	60	27060-78701-71	102211-5850	210-7024	Available in Reman Only



YEAR	ENGINE	VOLTS	AMPS	OEM PART NUMBER	NEW PART NUMBER	REMAN PART NUMBER	APPLICATION INFORMATION
TOYOTA (continued)							
62-8FDK30 (continued)							
2008-	1DZ..10N,15N,18N,K20N,K25N,K30N (HI-CAPACITY..COOLING PACKAGE, PAPER SPEC BALE, OIL CLUTCH, PLATE FIN)	12	60	27060-78701-71	102211-5850	210-7024	Available in Reman Only
2008-	1DZ..10N,15N,18N,K20N,K25N,K30N (HEATER..COOLING PACKAGE, PAPER SPEC BALE, OIL CLUTCH, PLATE FIN)	12	60	27060-78701-71	102211-5850	210-7024	Available in Reman Only
2008-	1DZ..10N,15N,18N,K20N,K25N,K30N (HI-CAPACITY, HEATER)	12	60	27060-78701-71	102211-5850	210-7024	Available in Reman Only
2008-	1DZ..10N,15N,18N,K20N,K25N,K30N (HEATER..LOW NOISE, 2-DOOR CABIN, PREMIUM CABIN)	12	60	27060-78701-71	102211-5850	210-7024	Available in Reman Only
2008-	1DZ..10N,15N,18N,K20N,K25N,K30N (HI-CAPACITY..COOLING PACKAGE, PAPER SPEC BALE, OIL CLUTCH, PLATE FIN)	12	60	27060-78701-71	102211-5850	210-7024	Available in Reman Only
2008-	1DZ..10N,15N,18N,K20N,K25N,K30N (HEATER..LOW NOISE, 2-DOOR CABIN, PREMIUM CABIN)	12	60	27060-78701-71	102211-5850	210-7024	Available in Reman Only
2008-	1DZ..10N,15N,18N,K20N,K25N,K30N (HEATER..COOLING PACKAGE, PAPER SPEC BALE, OIL CLUTCH, PLATE FIN)	12	60	27060-78701-71	102211-5850	210-7024	Available in Reman Only
2006- 2008-	1DZ (AUTO SPEED CONT)	12	60	27060-78701-71	102211-5850	210-7024	Available in Reman Only
2006- 2008-	1DZ..10N,15N,18N,K20N,K25N,K30N (HEATER..COOLING PACKAGE, PAPER SPEC BALE, OIL CLUTCH, PLATE FIN)	12	60	27060-78701-71	102211-5850	210-7024	Available in Reman Only
62-8FDN15							
2006- 2006-2008	1DZ (AUTO SPEED CONT)	12	60	27060-78701-71	102211-5850	210-7024	Available in Reman Only
2006- 2006-2008	1DZ..15 (HI-CAPACITY, HEATER)	12	60	27060-78701-71	102211-5850	210-7024	Available in Reman Only
2006-	1DZ..15 (DPF)	12	60	27060-78701-71	102211-5850	210-7024	Available in Reman Only
62-8FDN20							
2006-	1DZ (AUTO SPEED CONT)	12	60	27060-78701-71	102211-5850	210-7024	Available in Reman Only
62-8FDN25							
2006-	1DZ (AUTO SPEED CONT)	12	60	27060-78701-71	102211-5850	210-7024	Available in Reman Only
62-8FDN30							
2006-	1DZ (AUTO SPEED CONT)	12	60	27060-78701-71	102211-5850	210-7024	Available in Reman Only
70-8FD20							
2006-	2Z (HI-CAPACITY, HEATER, ARCTIC)	12	60	27060-78701-71	102211-5850	210-7024	Available in Reman Only
2006-	2Z (DPF, DPF-2, AUTO SPEED CONT)	12	60	27060-78701-71	102211-5850	210-7024	Available in Reman Only



YEAR	ENGINE	VOLTS	AMPS	OEM PART NUMBER	NEW PART NUMBER	REMAN PART NUMBER	APPLICATION INFORMATION
TOYOTA (continued)							
70-8FD25							
2006-	2Z (HI-CAPACITY, HEATER, ARCTIC)	12	60	27060-78701-71	102211-5850	210-7024	Available in Reman Only
2006-	2Z (DPF, DPF-2, AUTO SPEED CONT)	12	60	27060-78701-71	102211-5850	210-7024	Available in Reman Only
70-8FD30							
2006-	2Z (HI-CAPACITY, HEATER, ARCTIC)	12	60	27060-78701-71	102211-5850	210-7024	Available in Reman Only
2006-	2Z (DPF, DPF-2, AUTO SPEED CONT)	12	60	27060-78701-71	102211-5850	210-7024	Available in Reman Only
70-8FDJ35							
2006-	2Z (HI-CAPACITY, HEATER, ARCTIC)	12	60	27060-78701-71	102211-5850	210-7024	Available in Reman Only
2006-	2Z (DPF, DPF-2, AUTO SPEED CONT)	12	60	27060-78701-71	102211-5850	210-7024	Available in Reman Only
70-8FDN20							
2006-	2Z (DPF, AUTO SPEED CONT)	12	60	27060-78701-71	102211-5850	210-7024	Available in Reman Only
2006-	2Z (HI-CAPACITY, HEATER, ARCTIC)	12	60	27060-78701-71	102211-5850	210-7024	Available in Reman Only
70-8FDN25							
2006-	2Z (DPF, AUTO SPEED CONT)	12	60	27060-78701-71	102211-5850	210-7024	Available in Reman Only
2006-	2Z (HI-CAPACITY, HEATER, ARCTIC)	12	60	27060-78701-71	102211-5850	210-7024	Available in Reman Only
70-8FDN30							
2006-	2Z (DPF, AUTO SPEED CONT)	12	60	27060-78701-71	102211-5850	210-7024	Available in Reman Only
2006-	2Z (HI-CAPACITY, HEATER, ARCTIC)	12	60	27060-78701-71	102211-5850	210-7024	Available in Reman Only
72-8FD20							
2006-	2Z (HI-CAPACITY, HEATER, ARCTIC)	12	60	27060-78701-71	102211-5850	210-7024	Available in Reman Only
2006-	2Z (DPF, DPF-2, AUTO SPEED CONT)	12	60	27060-78701-71	102211-5850	210-7024	Available in Reman Only
72-8FD25							
2006-	2Z (HI-CAPACITY, HEATER, ARCTIC)	12	60	27060-78701-71	102211-5850	210-7024	Available in Reman Only
2006-	2Z (DPF, DPF-2, AUTO SPEED CONT)	12	60	27060-78701-71	102211-5850	210-7024	Available in Reman Only
72-8FD30							
2006-	2Z (HI-CAPACITY, HEATER, ARCTIC)	12	60	27060-78701-71	102211-5850	210-7024	Available in Reman Only
2006-	2Z (DPF, DPF-2, AUTO SPEED CONT)	12	60	27060-78701-71	102211-5850	210-7024	Available in Reman Only



YEAR	ENGINE	VOLTS	AMPS	OEM PART NUMBER	NEW PART NUMBER	REMAN PART NUMBER	APPLICATION INFORMATION
TOYOTA (continued)							
72-8FDJ35							
2006-	2Z (HI-CAPACITY, HEATER, ARCTIC)	12	60	27060-78701-71	102211-5850	210-7024	Available in Reman Only
2006-	2Z (DPF, DPF-2, AUTO SPEED CONT)	12	60	27060-78701-71	102211-5850	210-7024	Available in Reman Only
72-8FDN20							
2006-	2Z (DPF, AUTO SPEED CONT)	12	60	27060-78701-71	102211-5850	210-7024	Available in Reman Only
2006-	2Z (HI-CAPACITY, HEATER, ARCTIC)	12	60	27060-78701-71	102211-5850	210-7024	Available in Reman Only
72-8FDN25							
2006-	2Z (DPF, AUTO SPEED CONT)	12	60	27060-78701-71	102211-5850	210-7024	Available in Reman Only
2006-	2Z (HI-CAPACITY, HEATER, ARCTIC)	12	60	27060-78701-71	102211-5850	210-7024	Available in Reman Only
72-8FDN30							
2006-	2Z (DPF, AUTO SPEED CONT)	12	60	27060-78701-71	102211-5850	210-7024	Available in Reman Only
2006-	2Z (HI-CAPACITY, HEATER, ARCTIC)	12	60	27060-78701-71	102211-5850	210-7024	Available in Reman Only
8FDU15							
2006-	1DZ..15,18 (HI-CAPACITY)	12	60	27060-78701-71	102211-5850	210-7024	Available in Reman Only
2006-	1DZ..15,18 (AUTO SPEED CONT)	12	60	27060-78701-71	102211-5850	210-7024	Available in Reman Only
8FDU18							
2006-	1DZ..15,18 (HI-CAPACITY)	12	60	27060-78701-71	102211-5850	210-7024	Available in Reman Only
2006-	1DZ..15,18 (AUTO SPEED CONT)	12	60	27060-78701-71	102211-5850	210-7024	Available in Reman Only
8FDU20							
2006-	1DZ..20,25,30,32	12	60	27060-78701-71	102211-5850	210-7024	Available in Reman Only
8FDU25							
2006-	1DZ..20,25,30,32	12	60	27060-78701-71	102211-5850	210-7024	Available in Reman Only
8FDU30							
2006-	1DZ..20,25,30,32	12	60	27060-78701-71	102211-5850	210-7024	Available in Reman Only
8FDU32							
2006-	1DZ..20,25,30,32	12	60	27060-78701-71	102211-5850	210-7024	Available in Reman Only
TE15							
1993-2001	* [TSDR]	12	50	27070-23001-71	100211-6970	210-7018	Available in Reman Only
TEA15							
1993-2001	* [TSDR]	12	50	27070-23001-71	100211-6970	210-7018	Available in Reman Only
02-6FDF15							
1994-1999	1DZ (HI-CAPACITY)	12	50	27070-23041-71	100211-6961	210-7019	Available in Reman Only
5FDE35							
1989-1996	11Z (HI-CAPACITY) [12V]	12	50	27070-23041-71	100211-6961	210-7019	Available in Reman Only



YEAR	ENGINE	VOLTS	AMPS	OEM PART NUMBER	NEW PART NUMBER	REMAN PART NUMBER	APPLICATION INFORMATION
TOYOTA (continued)							
5FDF15							
1989-1994	1DZ (HI-CAPACITY)	12	50	27070-23041-71	100211-6961	210-7019	Available in Reman Only
1989	2J (HI-CAPACITY)	12	50	27070-23041-71	100211-6961	210-7019	Available in Reman Only
VOLVO							
ACL42B							
1997	Caterpillar 3116	12	130	19011155	101211-8060		
ACL42F							
1997	Caterpillar 3116	12	130	19011155	101211-8060		
ACL64B							
1997	Caterpillar 3116	12	130	19011155	101211-8060		
ACL64F							
1997	Caterpillar 3116	12	130	19011155	101211-8060		
ACL64FF							
1997	Caterpillar 3116	12	130	19011155	101211-8060		
VN SERIES							
1997	Caterpillar 3116	12	130	19011155	101211-8060		
WG42							
1997	Caterpillar 3116	12	130	19011155	101211-8060		
WG42F							
1997	Caterpillar 3116	12	130	19011155	101211-8060		
WG64							
1997	Caterpillar 3116	12	130	19011155	101211-8060		
WG64F							
1997	Caterpillar 3116	12	130	19011155	101211-8060		
WG64T							
1997	Caterpillar 3116	12	130	19011155	101211-8060		
ACL42B							
1996-1998	Caterpillar 3116	12	130	19011152	101211-8120		
ACL42F							
1996-1998	Caterpillar 3116	12	130	19011152	101211-8120		
ACL64B							
1996-1998	Caterpillar 3116	12	130	19011152	101211-8120		
ACL64F							
1996-1998	Caterpillar 3116	12	130	19011152	101211-8120		
ACL64FF							
1996-1998	Caterpillar 3116	12	130	19011152	101211-8120		
VN SERIES							
1998	Caterpillar 3116	12	130	19011152	101211-8120		
WG42							
1998	Caterpillar 3116	12	130	19011152	101211-8120		
WG42F							
1998	Caterpillar 3116	12	130	19011152	101211-8120		



YEAR	ENGINE	VOLTS	AMPS	OEM PART NUMBER	NEW PART NUMBER	REMAN PART NUMBER	APPLICATION INFORMATION
VOLVO (continued)							
WG64							
1998	Caterpillar 3116	12	130	19011152	101211-8120		
WG64F							
1998	Caterpillar 3116	12	130	19011152	101211-8120		
WG64T							
1998	Caterpillar 3116	12	130	19011152	101211-8120		
WX42							
1998	Caterpillar 3116	12	130	19011152	101211-8120		
WX64							
1998	Caterpillar 3116	12	130	19011152	101211-8120		
WXLL42							
1998	Caterpillar 3116	12	130	19011152	101211-8120		
WXLL64							
1998	Caterpillar 3116	12	130	19011152	101211-8120		
WXR42							
1998	Caterpillar 3116	12	130	19011152	101211-8120		
WXR64							
1998	Caterpillar 3116	12	130	19011152	101211-8120		
ACL42B							
1997-1998	Cummins M11	12	130	19011155	101211-8060		
ACL42F							
1997-1998	Cummins M11	12	130	19011155	101211-8060		
ACL64B							
1997-1998	Cummins M11	12	130	19011155	101211-8060		
ACL64F							
1997-1998	Cummins M11	12	130	19011155	101211-8060		
ACL64FF							
1997-1998	Cummins M11	12	130	19011155	101211-8060		
VN SERIES							
1997-1998	Cummins M11	12	130	19011155	101211-8060		
WG42							
1997-1998	Cummins M11	12	130	19011155	101211-8060		
WG42F							
1997-1998	Cummins M11	12	130	19011155	101211-8060		
WG64							
1997-1998	Cummins M11	12	130	19011155	101211-8060		
WG64F							
1997-1998	Cummins M11	12	130	19011155	101211-8060		
WG64T							
1997-1998	Cummins M11	12	130	19011155	101211-8060		
WX42							
1997-1998	Cummins M11	12	130	19011155	101211-8060		



YEAR	ENGINE	VOLTS	AMPS	OEM PART NUMBER	NEW PART NUMBER	REMAN PART NUMBER	APPLICATION INFORMATION
VOLVO (continued)							
WX64							
1997-1998	Cummins M11	12	130	19011155	101211-8060		
WXLL42							
1997-1998	Cummins M11	12	130	19011155	101211-8060		
WXLL64							
1997-1998	Cummins M11	12	130	19011155	101211-8060		
WXR42							
1998	Cummins M11	12	130	19011155	101211-8060		
WXR64							
1998	Cummins M11	12	130	19011155	101211-8060		
ACL42B							
1996	Cummins M11	12	130	19011152	101211-8120		
ACL42F							
1996	Cummins M11	12	130	19011152	101211-8120		
ACL64B							
1996	Cummins M11	12	130	19011152	101211-8120		
	DT466E	12	105	20583883	101211-8380		Pad Mount
	T444E	12	105	20583883	101211-8380		Pad Mount
ACL42B							
1997-1998	Volvo VE D12B-345	12	105	19011150	101211-8050		
1997-1998	Cummins N14	12	130	19011155	101211-8060		
ACL64F							
1996	Cummins M11	12	130	19011152	101211-8120		
ACL42B							
1998	Caterpillar 3116	12	105	19011151	101211-8020		
1998	Cummins M11	12	105	19011150	101211-8050		
1998	Cummins N14	12	105	19011150	101211-8050		
ACL42F							
1997-1998	Cummins N14	12	130	19011155	101211-8060		
ACL64FF							
1996	Cummins M11	12	130	19011152	101211-8120		
ACL64B							
1997-1998	Cummins N14	12	130	19011155	101211-8060		
ACL64F							
1997-1998	Cummins N14	12	130	19011155	101211-8060		
ACL64FF							
1997-1998	Cummins N14	12	130	19011155	101211-8060		
VN SERIES							
1997-1998	Cummins N14	12	130	19011155	101211-8060		
ACL42F							
1997-1998	Volvo VE D12B-345	12	105	19011150	101211-8050		



YEAR	ENGINE	VOLTS	AMPS	OEM PART NUMBER	NEW PART NUMBER	REMAN PART NUMBER	APPLICATION INFORMATION
VOLVO (continued)							
WG42							
1997-1998	Cummins N14	12	130	19011155	101211-8060		
ACL42F							
1998	Caterpillar 3116	12	105	19011151	101211-8020		
1998	Cummins M11	12	105	19011150	101211-8050		
1998	Cummins N14	12	105	19011150	101211-8050		
WG42F							
1997-1998	Cummins N14	12	130	19011155	101211-8060		
ACL42B							
1996	Cummins N14	12	130	19011152	101211-8120		
ACL42F							
1996	Cummins N14	12	130	19011152	101211-8120		
WG64							
1997-1998	Cummins N14	12	130	19011155	101211-8060		
WG64F							
1997-1998	Cummins N14	12	130	19011155	101211-8060		
WG64T							
1997-1998	Cummins N14	12	130	19011155	101211-8060		
WX42							
1997-1998	Cummins N14	12	130	19011155	101211-8060		
ACL64B							
1997-1998	Volvo VE D12B-345	12	105	19011150	101211-8050		
WX64							
1997-1998	Cummins N14	12	130	19011155	101211-8060		
ACL64B							
1996	Cummins N14	12	130	19011152	101211-8120		
1998	Caterpillar 3116	12	105	19011151	101211-8020		
1998	Cummins M11	12	105	19011150	101211-8050		
1998	Cummins N14	12	105	19011150	101211-8050		
WXLL42							
1997-1998	Cummins N14	12	130	19011155	101211-8060		
ACL64F							
1996	Cummins N14	12	130	19011152	101211-8120		
ACL64FF							
1996	Cummins N14	12	130	19011152	101211-8120		
WXLL64							
1997-1998	Cummins N14	12	130	19011155	101211-8060		
WXR42							
1997-1998	Cummins N14	12	130	19011155	101211-8060		
WXR64							
1997-1998	Cummins N14	12	130	19011155	101211-8060		
ACL64F							
1997-1998	Volvo VE D12B-345	12	105	19011150	101211-8050		
1998	Caterpillar 3116	12	105	19011151	101211-8020		



YEAR	ENGINE	VOLTS	AMPS	OEM PART NUMBER	NEW PART NUMBER	REMAN PART NUMBER	APPLICATION INFORMATION
VOLVO (continued)							
ACL64F (continued)							
1998	Cummins M11	12	105	19011150	101211-8050		
1998	Cummins N14	12	105	19011150	101211-8050		
ACL64FF							
1997-1998	Volvo VE D12B-345	12	105	19011150	101211-8050		
ACL42B							
1996	Detroit Diesel Series 60	12	130	19011152	101211-8120		
ACL64FF							
1998	Caterpillar 3116	12	105	19011151	101211-8020		
1998	Cummins M11	12	105	19011150	101211-8050		
1998	Cummins N14	12	105	19011150	101211-8050		
ACL42F							
1996	Detroit Diesel Series 60	12	130	19011152	101211-8120		
ACL64B							
1996	Detroit Diesel Series 60	12	130	19011152	101211-8120		
ACL64F							
1996	Detroit Diesel Series 60	12	130	19011152	101211-8120		
ACL64FF							
1996	Detroit Diesel Series 60	12	130	19011152	101211-8120		
VN SERIES							
1997-1998	Cummins M11	12	105	19011150	101211-8050		
1997-1998	Cummins N14	12	105	19011150	101211-8050		
1997-1998	Volvo VE-250	12	105	19011150	101211-8050		
1998	Caterpillar 3116	12	105	19011151	101211-8020		
1998	Caterpillar 3116	12	105	19011150	101211-8050		
ACL42B							
1997-1998	Detroit Diesel Series 60	12	105	19011157	101211-8060		
1997-1998	Detroit Diesel Series 60	12	130	19011167	101211-8060		
ACL42F							
1997-1998	Detroit Diesel Series 60	12	105	19011157	101211-8060		
1997-1998	Detroit Diesel Series 60	12	130	19011167	101211-8060		
ACL64B							
1997-1998	Detroit Diesel Series 60	12	105	19011157	101211-8060		
1997-1998	Detroit Diesel Series 60	12	130	19011167	101211-8060		
ACL64F							
1997-1998	Detroit Diesel Series 60	12	105	19011157	101211-8060		
1997-1998	Detroit Diesel Series 60	12	130	19011167	101211-8060		
ACL64FF							
1997-1998	Detroit Diesel Series 60	12	105	19011157	101211-8060		
1997-1998	Detroit Diesel Series 60	12	130	19011167	101211-8060		
VN SERIES							
1997-1998	Detroit Diesel Series 60	12	105	19011157	101211-8060		
1997-1998	Detroit Diesel Series 60	12	130	19011167	101211-8060		
WG42							
1997-1998	Detroit Diesel Series 60	12	105	19011157	101211-8060		



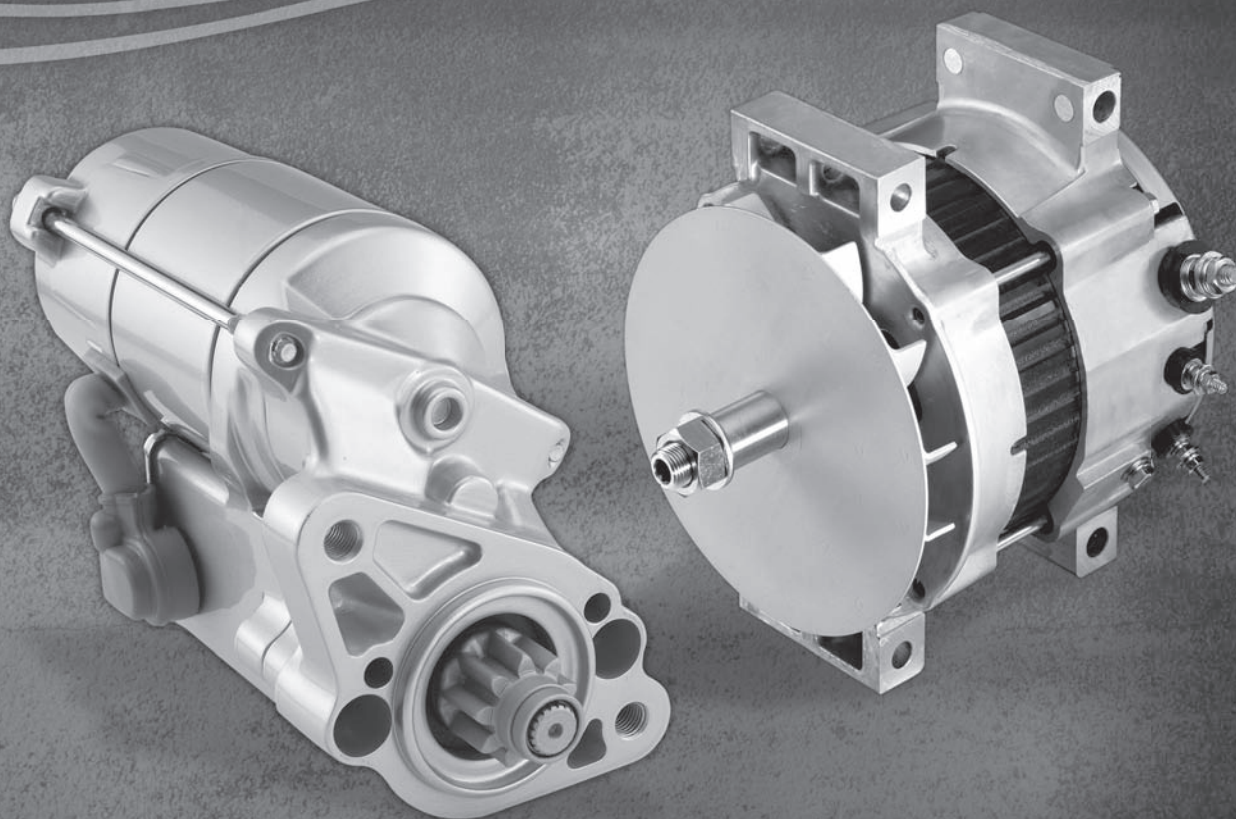
YEAR	ENGINE	VOLTS	AMPS	OEM PART NUMBER	NEW PART NUMBER	REMAN PART NUMBER	APPLICATION INFORMATION
VOLVO (continued)							
WG42 (continued)							
1997-1998	Detroit Diesel Series 60	12	130	19011167	101211-8060		
WG42F							
1997-1998	Detroit Diesel Series 60	12	105	19011157	101211-8060		
1997-1998	Detroit Diesel Series 60	12	130	19011167	101211-8060		
WG64							
1997-1998	Detroit Diesel Series 60	12	105	19011157	101211-8060		
1997-1998	Detroit Diesel Series 60	12	130	19011167	101211-8060		
WG64F							
1997-1998	Detroit Diesel Series 60	12	105	19011157	101211-8060		
1997-1998	Detroit Diesel Series 60	12	130	19011167	101211-8060		
WG64T							
1997-1998	Detroit Diesel Series 60	12	105	19011157	101211-8060		
1997-1998	Detroit Diesel Series 60	12	130	19011167	101211-8060		
WX42							
1997-1998	Detroit Diesel Series 60	12	105	19011157	101211-8060		
1997-1998	Detroit Diesel Series 60	12	130	19011167	101211-8060		
WX64							
1997-1998	Detroit Diesel Series 60	12	105	19011157	101211-8060		
1997-1998	Detroit Diesel Series 60	12	130	19011167	101211-8060		
WXLL42							
1997-1998	Detroit Diesel Series 60	12	105	19011157	101211-8060		
1997-1998	Detroit Diesel Series 60	12	130	19011167	101211-8060		
WXLL64							
1997-1998	Detroit Diesel Series 60	12	105	19011157	101211-8060		
1997-1998	Detroit Diesel Series 60	12	130	19011167	101211-8060		
WXR42							
1997-1998	Detroit Diesel Series 60	12	105	19011157	101211-8060		
1997-1998	Detroit Diesel Series 60	12	130	19011167	101211-8060		
WXR64							
1997-1998	Detroit Diesel Series 60	12	105	19011157	101211-8060		
1997-1998	Detroit Diesel Series 60	12	130	19011167	101211-8060		
ACL42B							
1996	Volvo VE D12B-345	12	130	19011152	101211-8120		
1997-1998	Volvo VE D12B-345	12	130	19011155	101211-8060		
ACL42F							
1997-1998	Volvo VE D12B-345	12	130	19011155	101211-8060		
1996	Volvo VE D12B-345	12	130	19011152	101211-8120		
ACL64B							
1997-1998	Volvo VE D12B-345	12	130	19011155	101211-8060		
ACL64F							
1997-1998	Volvo VE D12B-345	12	130	19011155	101211-8060		
ACL64FF							
1997-1998	Volvo VE D12B-345	12	130	19011155	101211-8060		



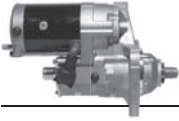
YEAR	ENGINE	VOLTS	AMPS	OEM PART NUMBER	NEW PART NUMBER	REMAN PART NUMBER	APPLICATION INFORMATION
VOLVO (continued)							
WG64T							
1997-1998	Volvo VE D12B-345	12	130	19011155	101211-8060		
ACL64B							
1996	Volvo VE D12B-345	12	130	19011152	101211-8120		
WG42							
1997-1998	Volvo VE D300	12	130	19011155	101211-8060		
WG42F							
1997-1998	Volvo VE D300	12	130	19011155	101211-8060		
WG64							
1997-1998	Volvo VE D300	12	130	19011155	101211-8060		
WG64F							
1997-1998	Volvo VE D300	12	130	19011155	101211-8060		
ACL64F							
1996	Volvo VE D12B-345	12	130	19011152	101211-8120		
VN SERIES							
1997-1998	Volvo VE-250	12	130	19011155	101211-8060		
WX42							
1997-1998	Volvo VE-250	12	130	19011155	101211-8060		
WX64							
1997-1998	Volvo VE-250	12	130	19011155	101211-8060		
WXLL42							
1997-1998	Volvo VE-250	12	130	19011155	101211-8060		
WXR42							
1997-1998	Volvo VE-250	12	130	19011155	101211-8060		
ACL64FF							
1996	Volvo VE D12B-345	12	130	19011152	101211-8120		
WXR64							
1997-1998	Volvo VE-250	12	130	19011155	101211-8060		
YANMAR							
1998	3TNE78	12	40	129423-77200	101211-1170		
1996	3TNE84	12	55	129961-77200	101211-2590		
1996	6LP	12	80	119773-77200	101211-9940		
1996	G3B-M	12	55	129961-77200	101211-2590		
1988	3TNA72	12	40	119620-77202	100211-4531		
1984	3T72	12	35	119620-77200	100211-0940		

DENSO STARTER DELIVERS

APPLICATION INFORMATION



The material contained in this catalog is based on information available at the time of publication, and while DENSO has taken great care to ensure the accuracy of information regarding each item, DENSO assumes no responsibility for loss or damage resulting from reliance on any information contained in this catalog. All specifications are subject to change without notice.



R5.0 Starter Application

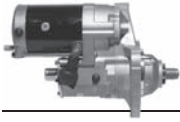
By OE



OE Name	Make/Model	Year	Engine	Voltage	kW	DENSO Part Number	Type
Case New Holland	MX240 Tractor	2008-	Cummins 8.3L	12	5.0	428000-5850	R
Freightliner	All	1999	CAT C12	12	5.0	428000-4420	R
Freightliner	All	2004-2006	CAT C13	12	5.0	428000-4420	R
Freightliner	All	2000-2006	CAT C15	12	5.0	428000-4420	R
Freightliner	All	1998-2002	Cummins ISM	12	5.0	428000-4420	R
Freightliner	All	1994-1998	Cummins M11	12	5.0	428000-4430	R
Freightliner	All	1994-2006	Detroit Series 60	12	5.0	428000-4430*	R
Freightliner	All	2004-2006	Detroit Series 60	12	5.0	428000-5730	R
Freightliner	All	1999-2002	Cummins ISX	12	5.0	428000-4440	R
Freightliner	All	1999-2002	Cummins ISX	12	5.0	428000-5190	R
Freightliner	All	1994-2002	Cummins N14	12	5.0	428000-4440	R
Freightliner	All	2001 -	MBE4000	12	5.0	428000-4450	R
International	All	2003-2006	CAT C11	12	5.0	428000-4420	R
International	All	1998	CAT C12	12	5.0	428000-4420	R
International	All	2004-2006	CAT C13	12	5.0	428000-4420	R
International	All	2000-2006	CAT C15	12	5.0	428000-4420	R
International	All	1998-2006	Cummins ISM	12	5.0	428000-4420	R
International	All	1994-2006	Detroit Series 60	12	5.0	428000-4430	R
International	All	1994-2006	Detroit Series 60	12	5.0	428000-5730	R
International	All	1994-1998	Cummins M11	12	5.0	428000-4430	R
International	All	1994-2002	Cummins N14	12	5.0	428000-4440	R
International	All	1999-2006	Cummins ISX	12	5.0	428000-4440	R
International	All	1999-2006	Cummins ISX	12	5.0	428000-5190	R
John Deere	WTS Combines	2006-	PowerTech	12	5.0	428000-3320	R
John Deere	T660 & T670 Combines	2006-	PowerTech	12	5.0	428000-3320	R
John Deere	C670 Combine	2006-	PowerTech	12	5.0	428000-3320	R
John Deere	6090	2006-	PowerTech 9.0L	12	5.0	428000-3320	R
John Deere	8030 Series Tractors	2006-	PowerTech 9.0L	12	5.0	428000-4080	R
John Deere	9230 Tractors	2006-	PowerTech 9.0L	12	5.0	428000-4080	R
John Deere	Agriculture Machinery R5.0	2006-	6135	12	5.0	428000-5530	R
John Deere	Combine	2006-	6135	12	5.0	428000-5750	R
J.I. Case	TV145 Tractor	2008-	EEA 6.7L, 6cyl	12	5.0	42800-6340	R
Kenworth	All	2003-2006	CAT C11	12	5.0	428000-4420	R
Kenworth	All	2004-2006	CAT C13	12	5.0	428000-4420	R
Kenworth	All	2000-2006	CAT C15	12	5.0	428000-4420	R
Kenworth	All	1998-2006	Cummins ISM	12	5.0	428000-4420	R
Kenworth	All	1994-1998	Cummins M11	12	5.0	428000-4430	R
Kenworth	All	1994-2003	Detroit Series 60	12	5.0	428000-4430	R
Kenworth	All	1994-2003	Detroit Series 60	12	5.0	428000-5730	R
Kenworth	All	1994-2002	Cummins N14	12	5.0	428000-4440	R
Kenworth	All	1999-2006	Cummins ISX	12	5.0	428000-5190	R
Mack	All	1997-2006	Mack E-Tech	12	5.0	428000-4430	R
Mack	All	1994-1996	Mack E-7	12	5.0	428000-4430	R
Peterbilt	All	1999	CAT C12	12	5.0	428000-4420	R
Peterbilt	All	2004-2006	CAT C13	12	5.0	428000-4420	R
Peterbilt	All	2000-2006	CAT C15	12	5.0	428000-4420	R
Peterbilt	All	1998-2007	Cummins ISM	12	5.0	428000-4420	R
Peterbilt	All	1994-1998	Cummins M11	12	5.0	428000-4430	R
Peterbilt	All	1994-2002	Cummins N14	12	5.0	428000-4440	R
Peterbilt	All	1999-2006	Cummins ISX	12	5.0	428000-5190	R
Peterbilt	All	1994-2003	Detroit Series 60	12	5.0	428000-4430	R
Peterbilt	All	1994-2003	Detroit Series 60	12	5.0	428000-5730	R
Sterling	All	2004-2006	CAT C13	12	5.0	428000-4420	R
Sterling	All	2000-2006	CAT C15	12	5.0	428000-4420	R
Sterline	All	1998-2002	Cummins ISM	12	5.0	428000-4420	R
Sterling	All	1994-1998	Cummins M11	12	5.0	428000-4430	R
Sterling	All	1994-2006	Detroit Series 60	12	5.0	428000-4430*	R
Sterling	All	1994-2006	Detroit Series 60	12	5.0	428000-5730	R
Sterling	All	1994-2002	Cummins N14	12	5.0	428000-4440	R
Sterling	All	2001 -	MBE4000	12	5.0	428000-4450	R
Volvo	All	1998-2006	Cummins ISM	12	5.0	428000-4420	R
Volvo	All	1994-2006	Detroit Series 60	12	5.0	428000-4430	R
Volvo	All	1994-2006	Detroit Series 60	12	5.0	428000-5730	R
Volvo	All	1994-2002	Cummins N14	12	5.0	428000-4440	R
Volvo	All	1994-2006	VE	12	5.0	428000-5430	R
Western Star	All	1997	CAT C12	12	5.0	428000-4420	R
Western Star	All	2007	CAT C15	12	5.0	428000-4420	R
Western Star	All	2007	Detroit Series 60	12	5.0	428000-4430	R
Western Star	All	2007	Detroit Series 60	12	5.0	428000-5730	R
Western Star	All	2001 -	MBE4000	12	5.0	428000-4450	R

* 1994-2006 Freightliner with DDS 60 when the fuel filter is outside the frame rail (single fuel filter)

WARRANTY 3 Years / 350,000 Miles (On-Road Applications)



R5.0 Starter Application

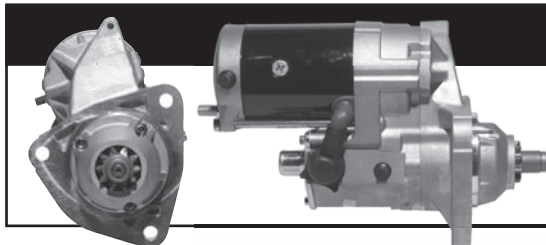
By Part Number



On-Road Applications	
428000-4420	
Freightliner w/CAT C12	1999
Freightliner w/CAT C13	2004-2006
Freightliner w/CAT C15	2000-2006
Freightliner w/Cummins ISM	1998-2002
Sterling w/CAT C13	2004-2006
Sterling w/CAT C15	2000-2006
Sterling w/Cummins ISM	1998-2002
International w/CAT C11	2003-2006
International w/CAT C12	1998
International w/CAT C13	2004-2006
International w/CAT C15	2000-2006
International w/Cummins ISM	1998-2006
Kenworth w/CAT C11	2003-2006
Kenworth w/CAT C13	2004-2006
Kenworth w/CAT C15	2000-2006
Kenworth w/Cummins ISM	1998-2006
Peterbilt w/CAT C12	1999
Peterbilt w/CAT C13	2004-2006
Peterbilt w/CAT C15	2000-2006
Peterbilt w/Cummins ISM	1998-2006
Volvo w/Cummins ISM	1998-2002
Western Star w/Cat C12	1997
Western Star w/Cat C15	2007
428000-4430	
Freightliner w/Cummins M11	1994-1998
Freightliner w/Detroit Series 60	1994-2006*
International w/Cummins M11	1994-1998
International w/Detroit Series 60	1994-2006
Mack w/E-Tech	1997-2006
Mack w/E-7	1994-1996
Sterling w/Cummins M11	1994-1998
Sterling w/Detroit Series 60	1994-2006
Kenworth w/Cummins M11	1994-1998
Kenworth w/Detroit Series 60	1994-2003
Peterbilt w/Cummins M11	1994-1998
Volvo w/Detroit Series 60	1994-2006
Western Star w/Detroit Series 60	2007
Volvo w/Detroit Series 60	1994-2006
Western Star w/Detroit Series 60	2007
428000-4440	
Freightliner w/Cummins ISX	1999-2002
Freightliner w/Cummins N14	1994-2002

On-Road Applications (Cont.)	
428000-4440	
Sterling w/Cummins N14	1994-2002
International w/Cummins ISX	1999-2006
International w/Cummins N14	1994-2002
Kenworth w/Cummins N14	1994-2002
Peterbilt w/Cummins N14	1994-2002
Volvo w/Cummins N14	1994-2002
428000-4450	
Freightliner w/MBE4000	2001-
Sterling w/MBE4000	2001-
Western Star w/MBE4000	2001-
428000-5190	
Kenworth w/Cummins ISX	1999-2006
Peterbilt w/Cummins ISX	1999-2006
Freightliner w/Cummins ISX	1999-2002
International w/Cummins ISX	1999-2006
428000-5430	
Volvo VE 12	1994-2006
428000-5730	
Freightliner w/Detroit Series 60	1994-2006
International w/Detroit Series 60	1994-2006
Sterling w/Detroit Series 60	1994-2003
Kenworth w/Detroit Series 60	1994-2003
Peterbilt w/Detroit Series 60	1994-2003
Volvo w/Detroit Series 60	1994-2006
Western Star w/Detroit Series 60	2007
Off-Road Applications	
428000-3320	
John Deere w/PowerTech Engines, C670, T660, T670 & WTS Combines & 6090	2006-
428000-4080	
John Deere w/PowerTech Engines, 8030 Series & 9230 Tractors	2006-
428000-5530	
John Deere Ag. Machinery, 6135	2006-
428000-5750	
John Deere Combine, 6135	2006-
428000-5850	
Case New Holland MX240 Tractor w/ Cummins 8.3L engine	2008-
428000-6340	
J.I. Case TV145 Tractor w/ EEA 6.7L, 6cyl	2008-

* 1994-2006 Freightliner with DDS 60 when the fuel filter is outside the frame rail (single fuel filter)

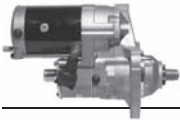


WARRANTY

3 Years / 350,000 Miles

(On-Road Applications)

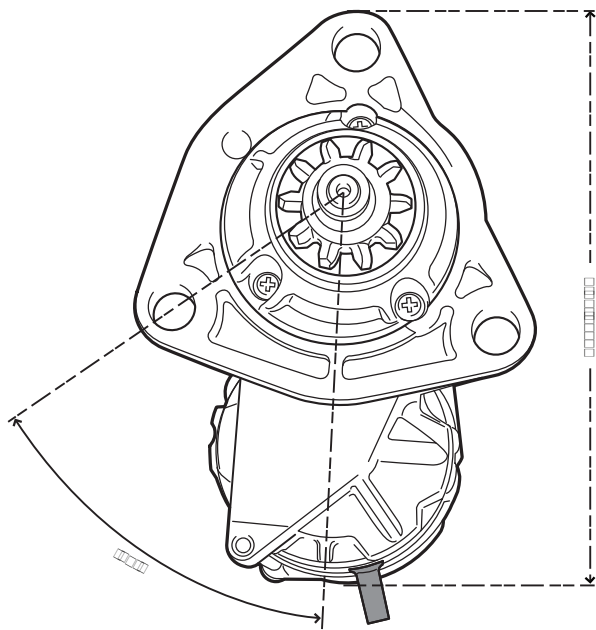
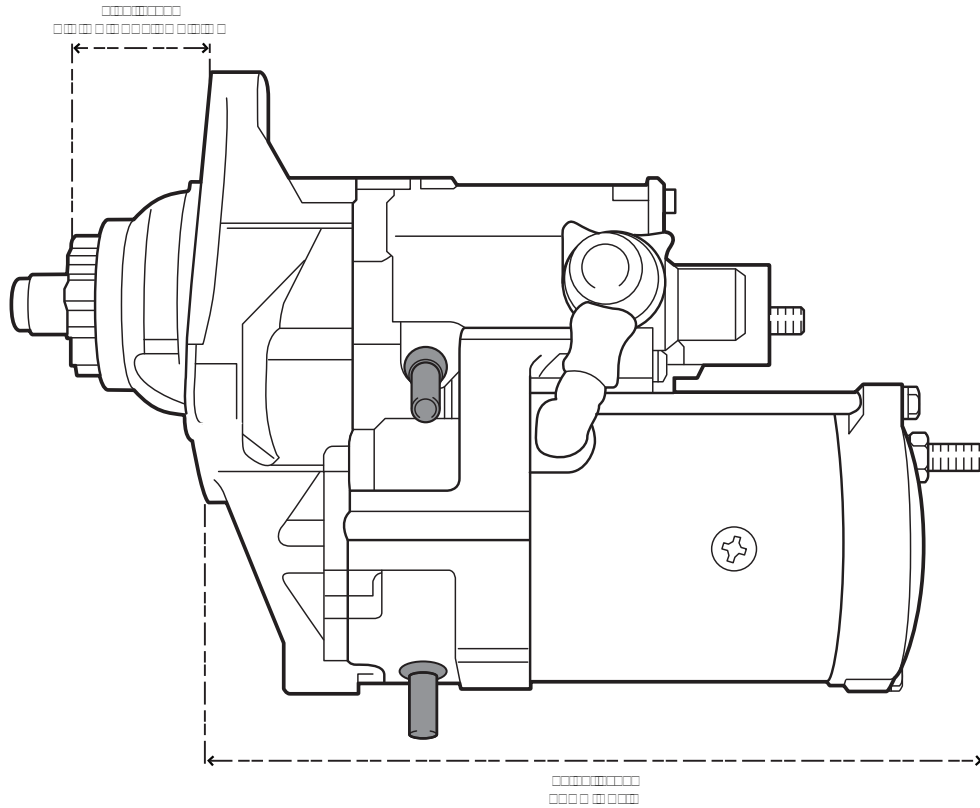
1 Year/Unlimited Miles (Off-Road)



On-Road SPECIFICATIONS



428000-4420



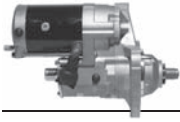
Application: 428000-4420

- Freightliner w/CAT C12, C13 & C15
- Freightliner w/Cummins ISM
- International w/CAT C11, C12, C13 & C15
- International w/Cummins ISM
- Kenworth w/CAT C11, C13 & C15
- Peterbilt w/CAT C12, C13 & C15
- Peterbilt w/Cummins ISM
- Sterling w/CAT C13 & C15
- Sterling w/Cummins ISM
- Volvo w/Cummins ISM
- Western Star w/Cat C12 & C15

428000-4420	
PINION SPECIFICATIONS	
DIAMETRAL PITCH	6/8
NUMBER OF TEETH	10
R5.0 STARTER SPECIFICATIONS	
SYSTEM VOLTAGE	12V
RATED OUTPUT	5.0kW (SAE J544B 12V EXTRA HEAVY DUTY)
DIRECTION OF ROTATION	CLOCKWISE VIEWED FROM PINION END
WEIGHT	APPROX. 23 lbs (10.7 kg)

WARRANTY 3 Years / 350,000 Miles (On-Road Applications)

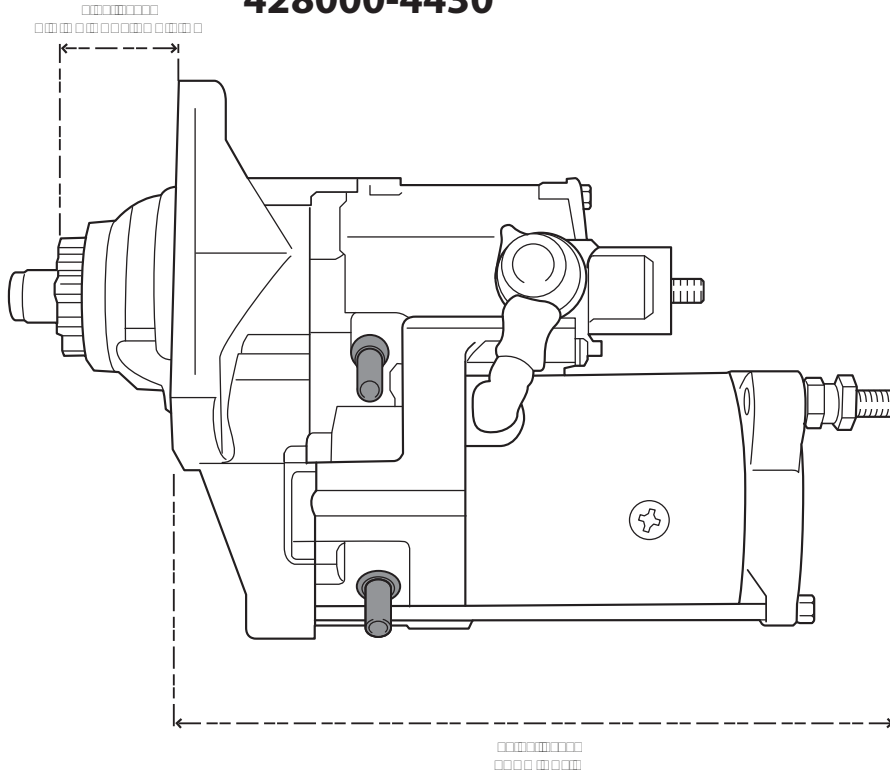
Starter must be installed with the drain tube positioned downward. The physical appearance of this DENSO starter may differ from the original starter.



On-Road SPECIFICATIONS



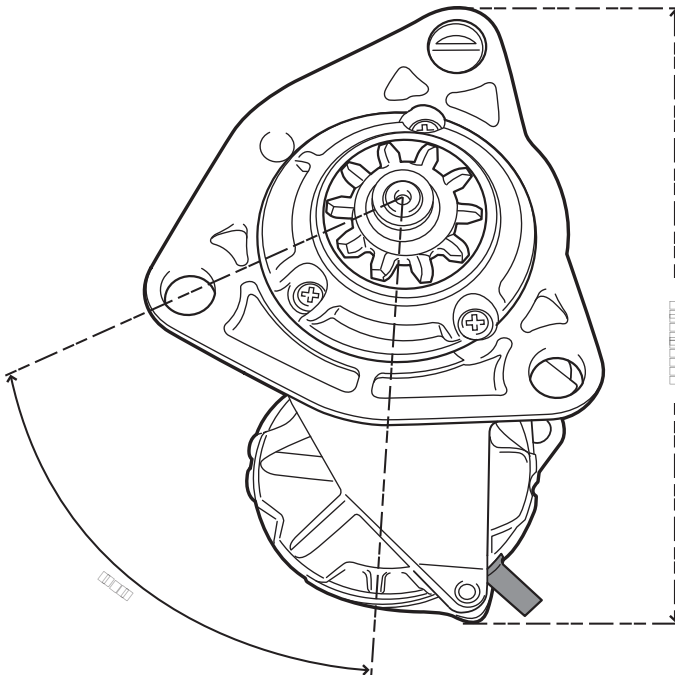
428000-4430



Application: 428000-4430

Freightliner w/Cummins M11
 Freightliner w/Detroit Series 60
 International w/Cummins M11
 International w/Detroit Series 60
 Kenworth w/Cummins M11
 Kenworth w/Detroit Series 60
 Mack w/E-Tech

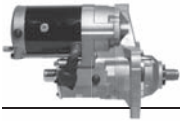
Mack w/E-7
 Peterbilt w/Cummins M11
 Sterling w/Cummins M11
 Sterling w/Detroit Series 60
 Volvo w/Detroit Series 60
 Western Star w/Detroit Series 60



428000-4430	
PINION SPECIFICATIONS	
DIAMETRAL PITCH	6/8
NUMBER OF TEETH	10
R5.0 STARTER SPECIFICATIONS	
SYSTEM VOLTAGE	12V
RATED OUTPUT	5.0kW (SAE J544B 12V EXTRA HEAVY DUTY)
DIRECTION OF ROTATION	CLOCKWISE VIEWED FROM PINION END
WEIGHT	APPROX. 23 lbs. (10.7 kg)

WARRANTY **3 Years / 350,000 Miles** (On-Road Applications)

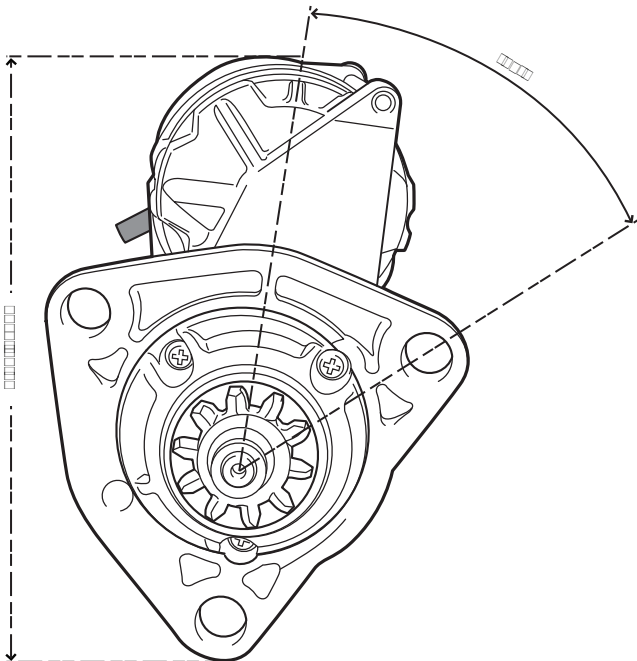
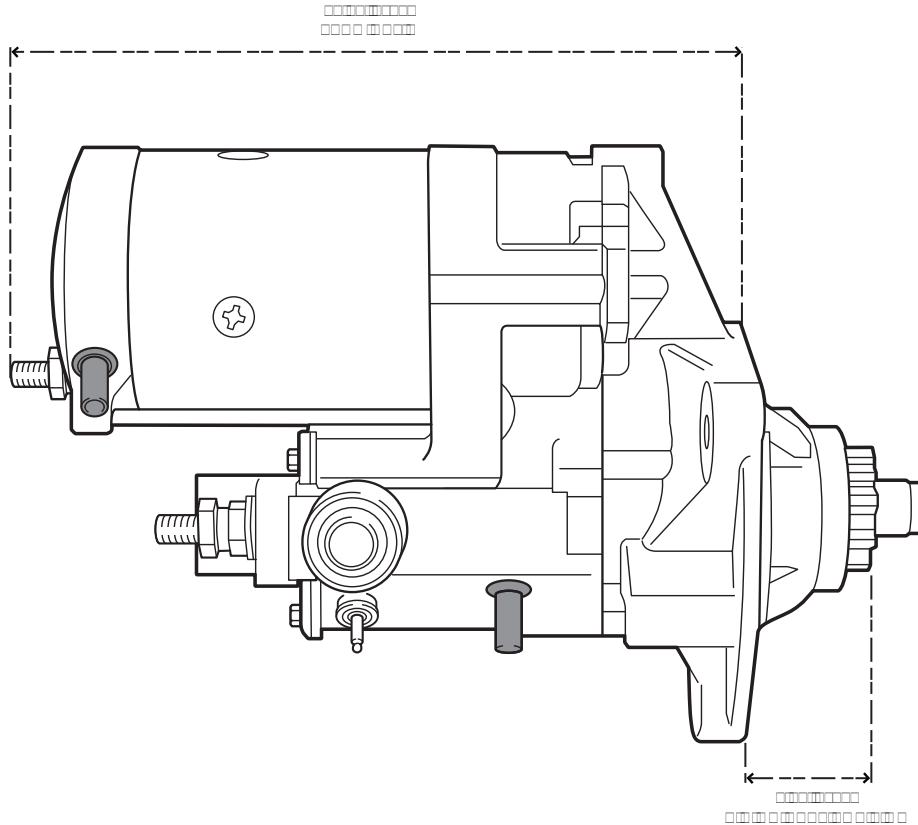
Starter must be installed with the drain tube positioned downward.
 The physical appearance of this DENSO starter may differ from the original starter.



On-Road SPECIFICATIONS



428000-4440



Application: 428000-4440

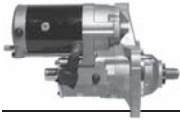
Freightliner w/Cummins ISX
 Freightliner w/Cummins N14
 International w/Cummins ISX
 International w/Cummins N14

Kenworth w/Cummins N14
 Peterbilt w/Cummins N14
 Sterling w/Cummins N14
 Volvo w/Cummins N14

428000-4440	
PINION SPECIFICATIONS	
DIAMETRAL PITCH	6/8
NUMBER OF TEETH	10
R5.0 STARTER SPECIFICATIONS	
SYSTEM VOLTAGE	12V
RATED OUTPUT	5.0kW (SAE J544B 12V EXTRA HEAVY DUTY)
DIRECTION OF ROTATION	CLOCKWISE VIEWED FROM PINION END
WEIGHT	APPROX. 23 lbs. (10.7 kg)

WARRANTY 3 Years / 350,000 Miles (On-Road Applications)

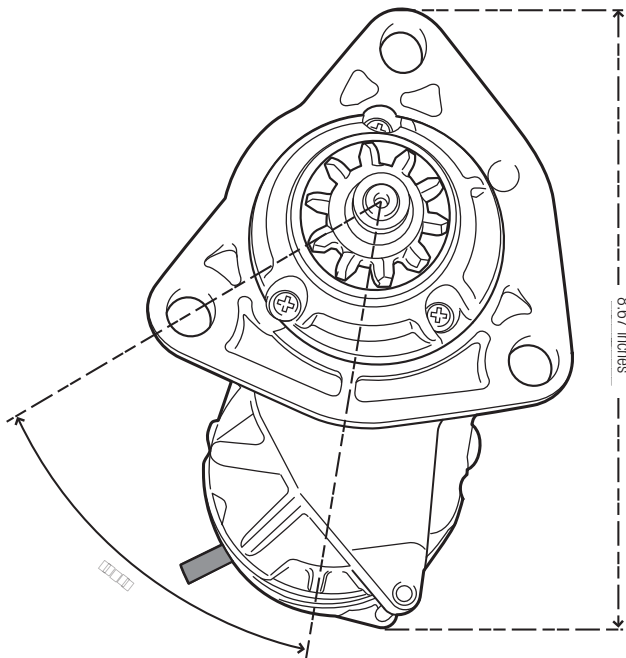
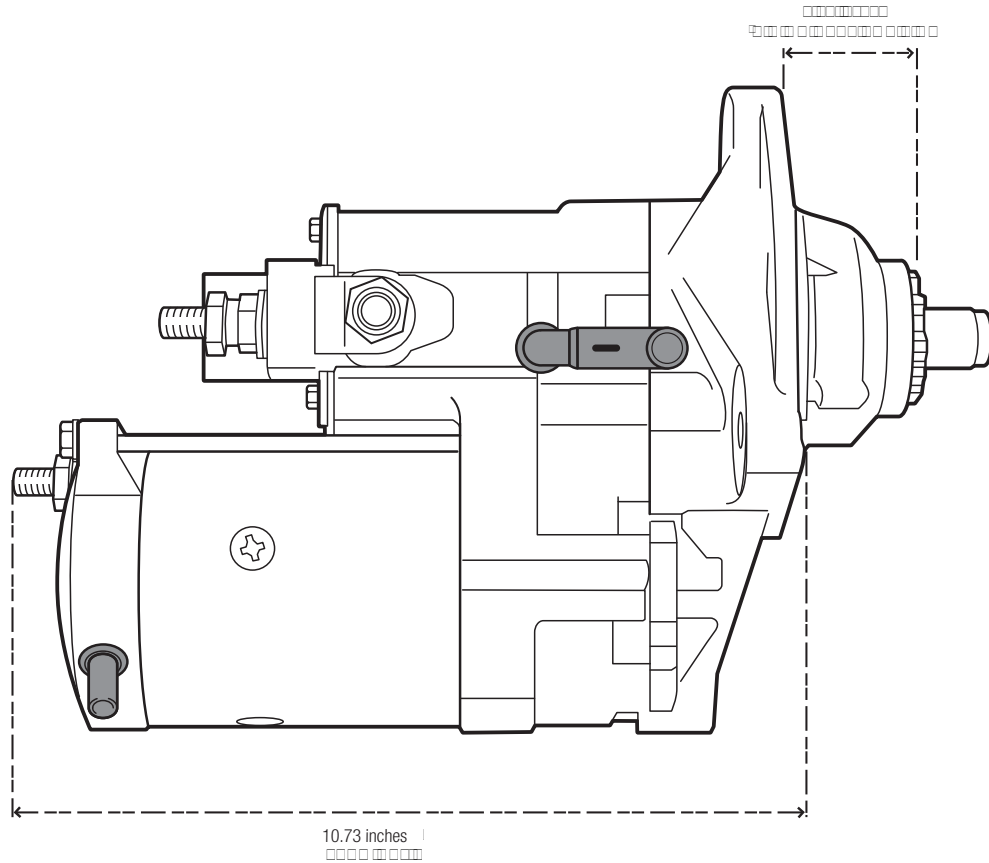
Starter must be installed with the drain tube positioned downward.
 The physical appearance of this DENSO starter may differ from the original starter.



On-Road SPECIFICATIONS



428000-4450



Application: 428000-4450

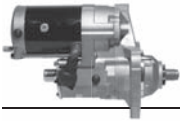
Freightliner w/Mercedes 4000

Sterling w/Mercedes 4000

428000-4450	
PINION SPECIFICATIONS	
MODULE	3
NUMBER OF TEETH	10
R5.0 STARTER SPECIFICATIONS	
SYSTEM VOLTAGE	12V
RATED OUTPUT	5.0kW (SAE J544B 12V EXTRA HEAVY DUTY)
DIRECTION OF ROTATION	CLOCKWISE VIEWED FROM PINION END
WEIGHT	APPROX. 23 lbs. (10.5 kg)

WARRANTY 3 Years / 350,000 Miles (On-Road Applications)

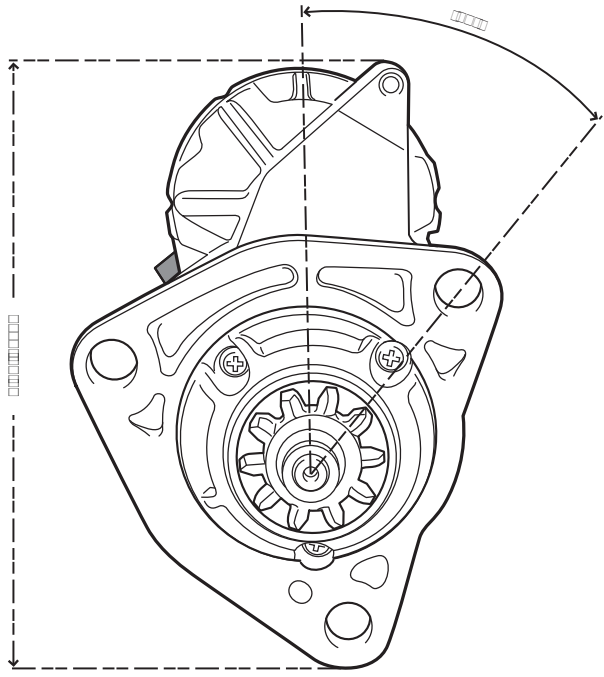
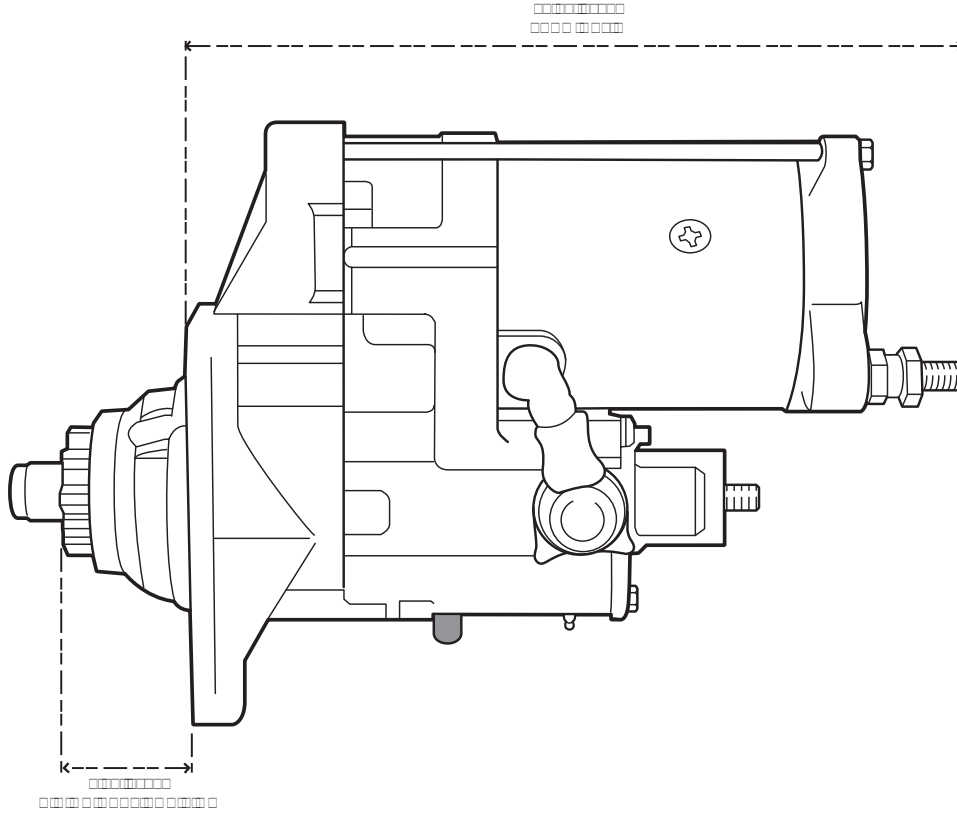
Starter must be installed with the drain tube positioned downward.
The physical appearance of this DENSO starter may differ from the original starter.



On-Road SPECIFICATIONS



428000-5190



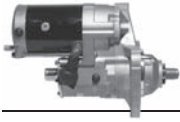
Application: 428000-5190

Freightliner w/Cummins ISX
International w/Cummins ISX

Kenworth w/Cummins ISX
Peterbilt w/Cummins ISX

428000-5190	
PINION SPECIFICATIONS	
DIAMETRAL PITCH	6/8
NUMBER OF TEETH	10
R5.0 STARTER SPECIFICATIONS	
SYSTEM VOLTAGE	12V
RATED OUTPUT	5.0kW (SAE J544B 12V EXTRA HEAVY DUTY)
DIRECTION OF ROTATION	CLOCKWISE VIEWED FROM PINION END
WEIGHT	APPROX. 24 lbs. (11 kg)

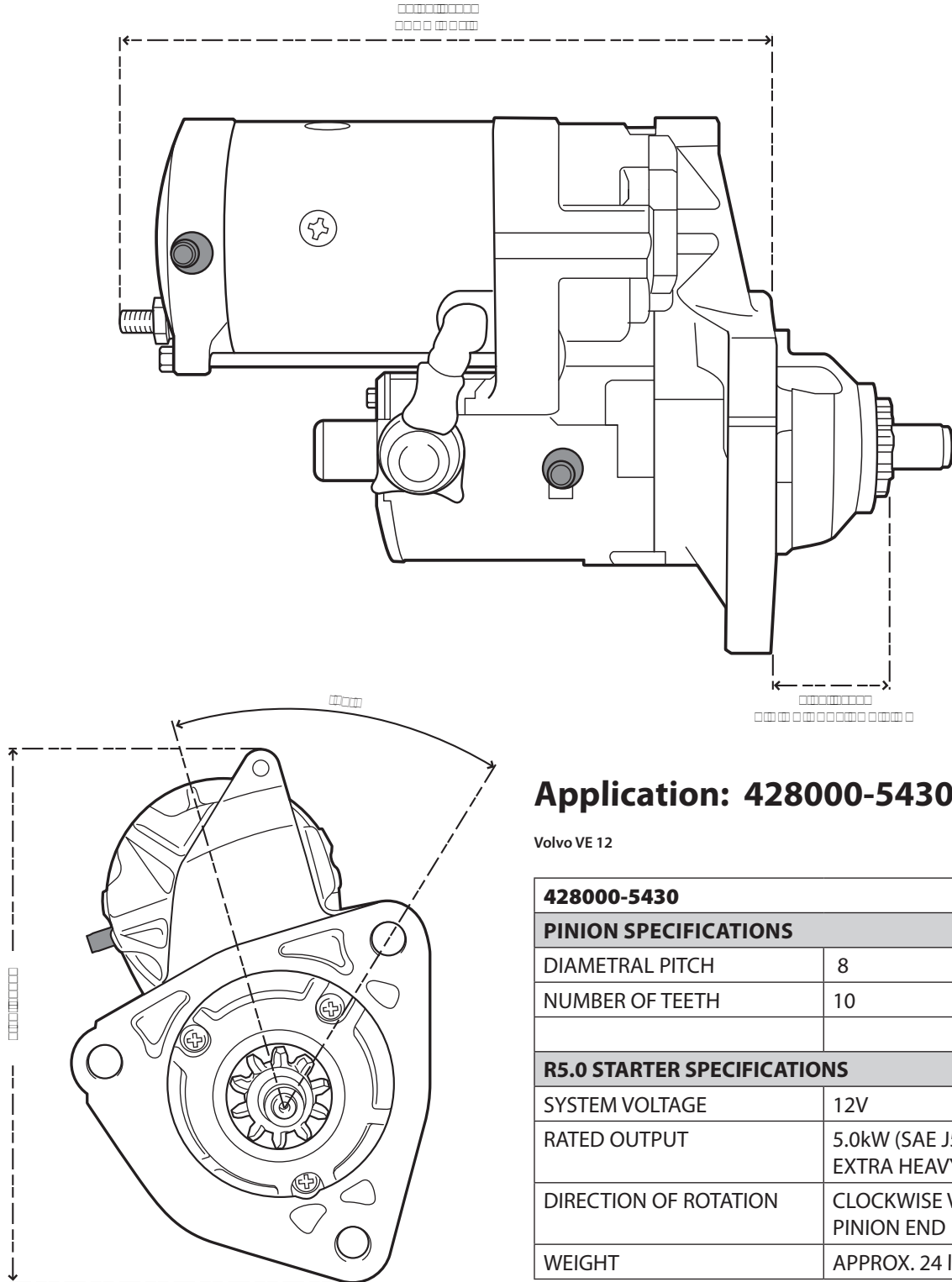
WARRANTY 3 Years / 350,000 Miles (On-Road Applications)



On-Road SPECIFICATIONS

DENSO **NSO**
HEAVY DUTY

428000-5430



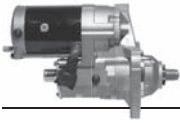
Application: 428000-5430

Volvo VE 12

428000-5430	
PINION SPECIFICATIONS	
DIAMETRAL PITCH	8
NUMBER OF TEETH	10
R5.0 STARTER SPECIFICATIONS	
SYSTEM VOLTAGE	12V
RATED OUTPUT	5.0kW (SAE J544B 12V EXTRA HEAVY DUTY)
DIRECTION OF ROTATION	CLOCKWISE VIEWED FROM PINION END
WEIGHT	APPROX. 24 lbs. (11 kg)

WARRANTY **3 Years / 350,000 Miles** (On-Road Applications)

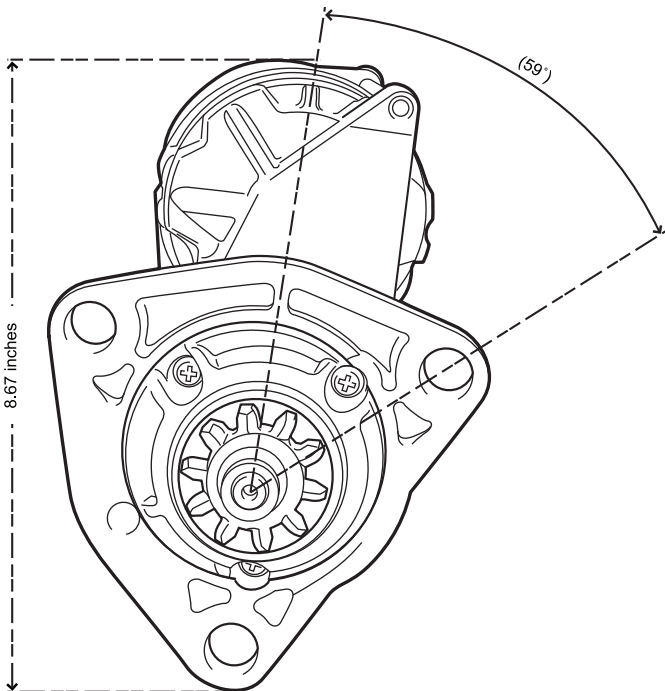
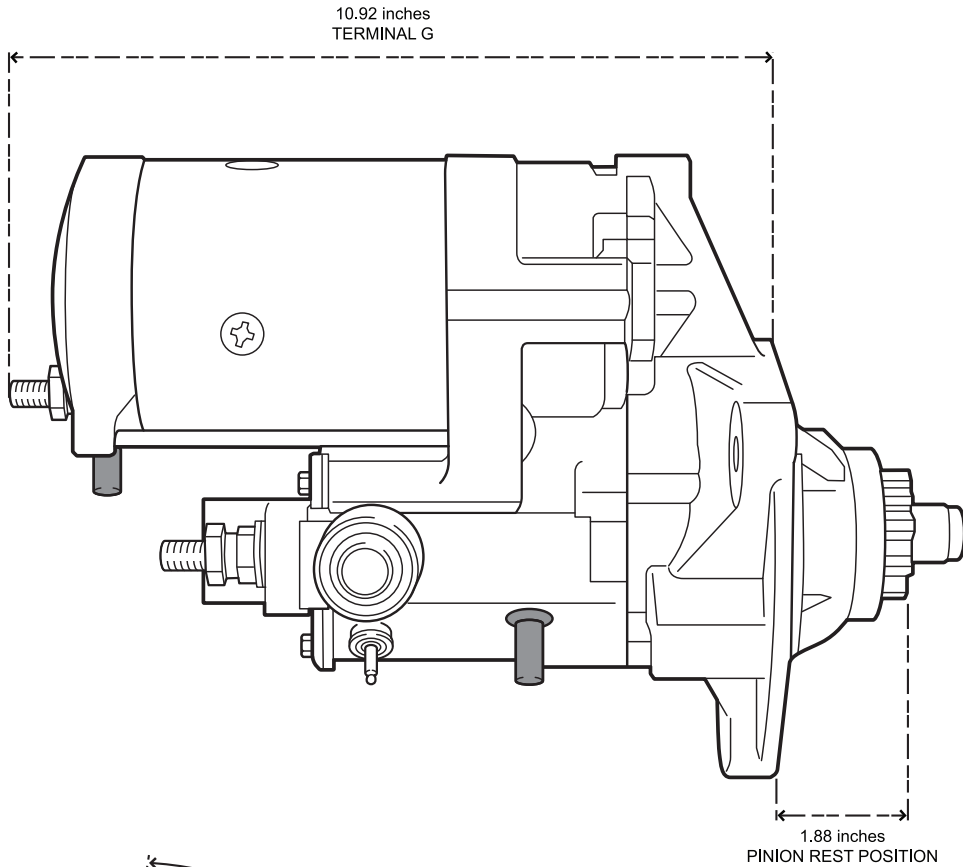
Starter must be installed with the drain tube positioned downward.
The physical appearance of this DENSO starter may differ from the original starter.



On-Road SPECIFICATIONS



428000-5730



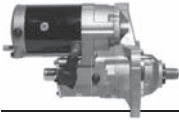
Application: 428000-5730

Freightliner w/Detroit Series 60
International w/Detroit Series 60
Kenworth w/Detroit Series 60
Peterbilt w/Detroit Series 60

Sterling w/Detroit Series 60
Volvo w/Detroit Series 60
Western Star w/Detroit Series 60

428000-5730	
PINION SPECIFICATIONS	
DIAMETRAL PITCH	6/8
NUMBER OF TEETH	10
R5.0 STARTER SPECIFICATIONS	
SYSTEM VOLTAGE	12V
NOMINAL OUTPUT	5.0kW (SAE J544B 12V EXTRA HEAVY DUTY)
DIRECTION OF ROTATION	CLOCKWISE VIEWED FROM PINION END
WEIGHT	APPROX. 23 lbs. (10.7 kg)

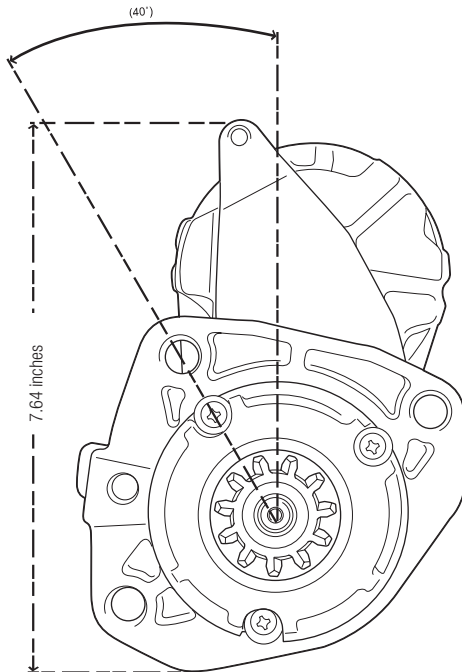
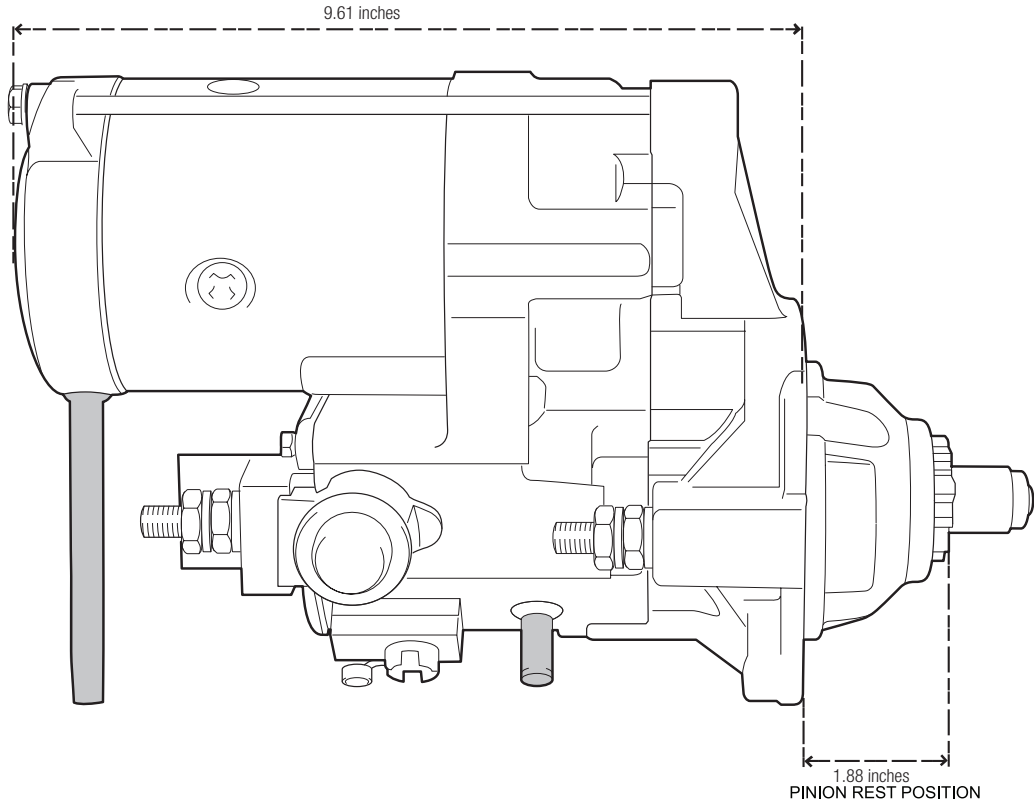
WARRANTY 3 Years / 350,000 Miles (On-Road Applications)



Off-Road SPECIFICATIONS



428000-3320



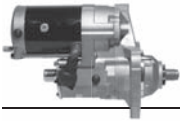
Application: 428000-3320

John Deere w/PowerTech Engines, C670
T660, T670 & WTS Combines & 6090

428000-3320	
PINION SPECIFICATIONS	
DIAMETRAL PITCH	8/10
NUMBER OF TEETH	11
R5.0 STARTER SPECIFICATIONS	
SYSTEM VOLTAGE	12V
NOMINAL OUTPUT	5.0kW (SAE J544B 12V EXTRA HEAVY DUTY)
DIRECTION OF ROTATION	CLOCKWISE VIEWED FROM PINION END
WEIGHT	APPROX. 23 lbs. (10.7 kg)

WARRANTY 1Year/Unlimited Miles (Off-Road Applications)

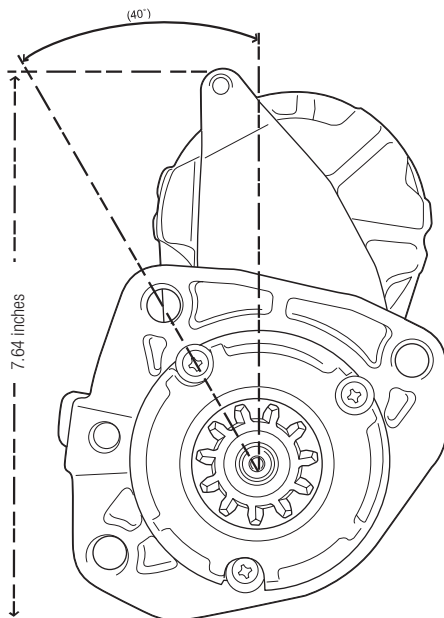
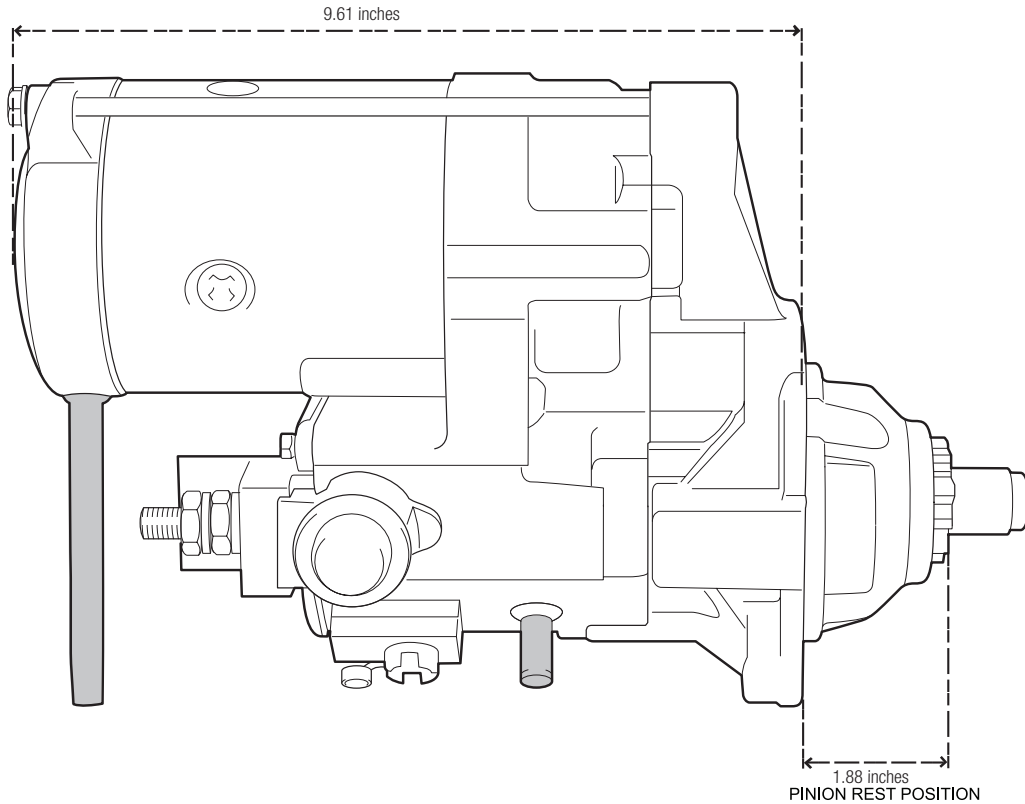
Starter must be installed with the drain tube positioned downward.
The physical appearance of this DENSO starter may differ from the original starter.



Off-Road SPECIFICATIONS



428000-4080

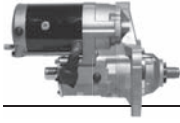


Application: 428000-4080

John Deere w/ 9230 Tractors

428000-4080	
PINION SPECIFICATIONS	
DIAMETRAL PITCH	8/10
NUMBER OF TEETH	11
R5.0 STARTER SPECIFICATIONS	
SYSTEM VOLTAGE	12V
NOMINAL OUTPUT	5.0kW (SAE J544B 12V EXTRA HEAVY DUTY)
DIRECTION OF ROTATION	CLOCKWISE VIEWED FROM PINION END
WEIGHT	APPROX. 23 lbs. (10.7 kg)

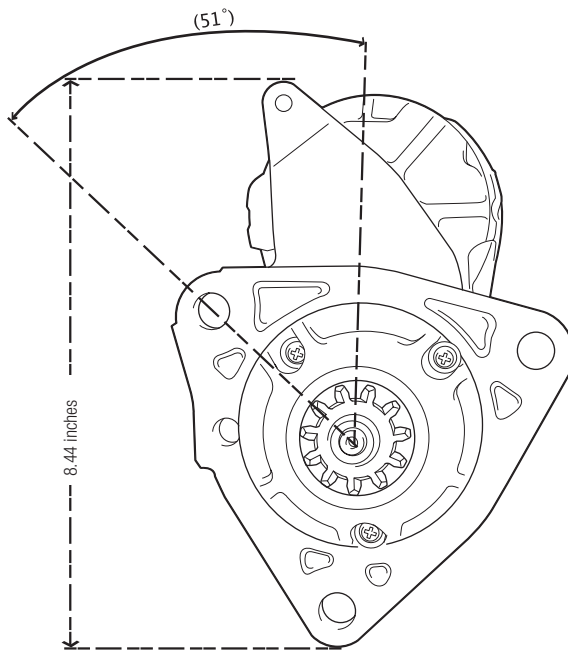
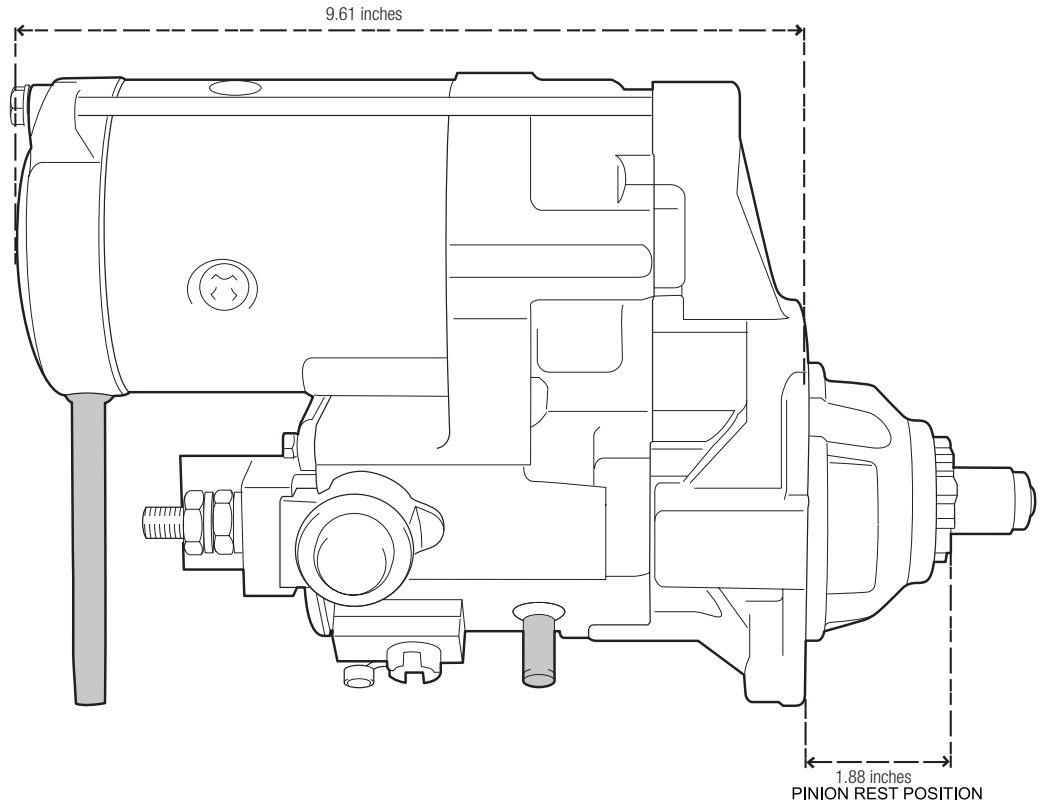
WARRANTY 1 Year/Unlimited Miles (Off-Road Applications)



Off-Road SPECIFICATIONS



428000-5530



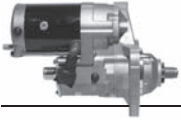
Application: 428000-5530

John Deere Agricultural Machinery, 6135

428000-5530	
PINION SPECIFICATIONS	
DIAMETRAL PITCH	8
NUMBER OF TEETH	11
R5.0 STARTER SPECIFICATIONS	
SYSTEM VOLTAGE	12V
NOMINAL OUTPUT	5.0kW (SAE J544B 12V EXTRA HEAVY DUTY)
DIRECTION OF ROTATION	CLOCKWISE VIEWED FROM PINION END
WEIGHT	APPROX. 24 lbs. (11 kg)

WARRANTY 1Year/Unlimited Miles (Off-Road Applications)

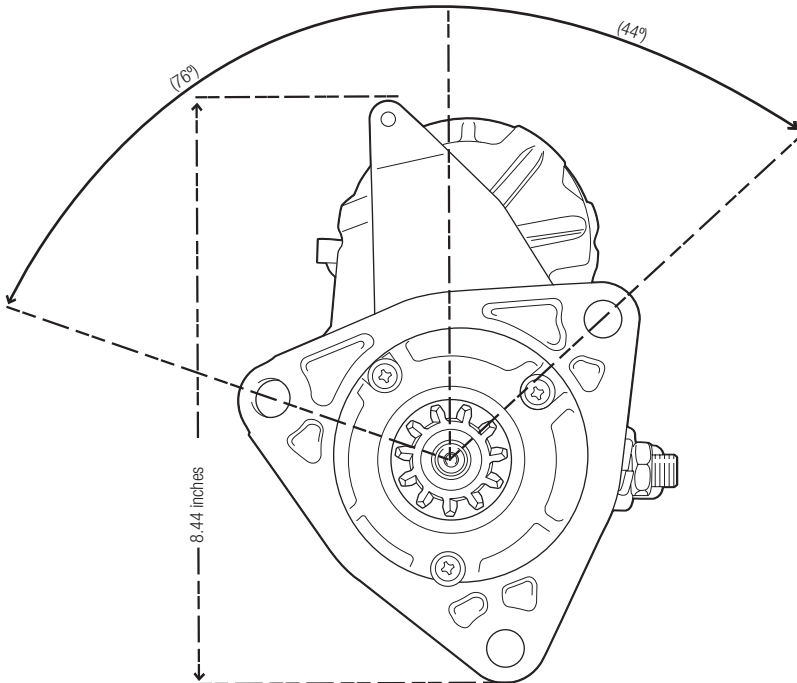
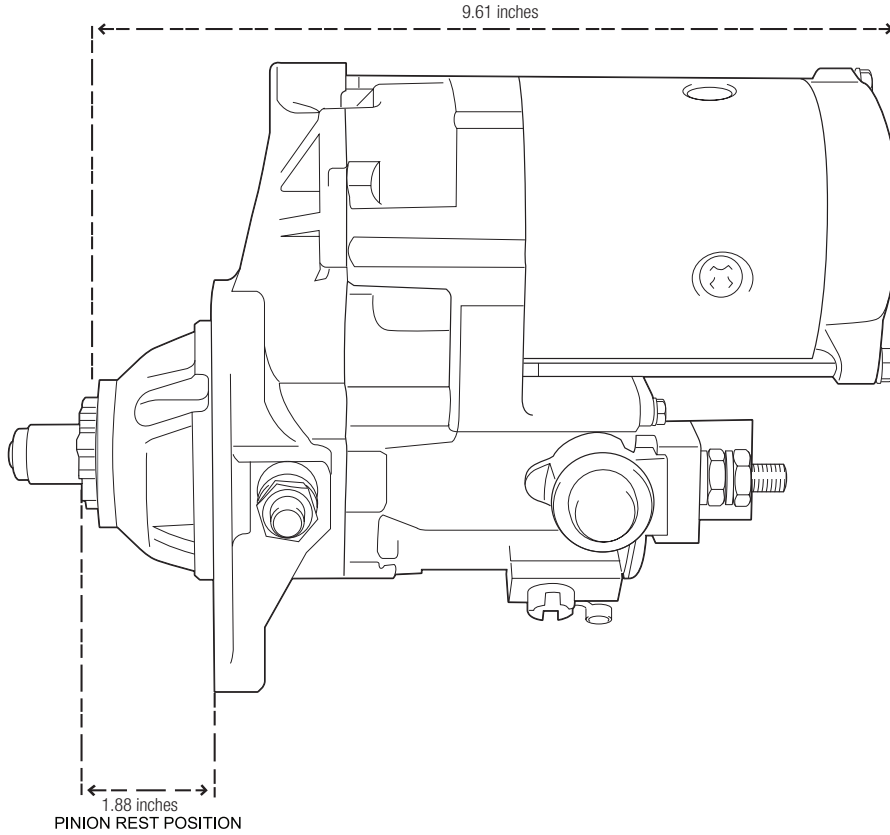
Starter must be installed with the drain tube positioned downward.
The physical appearance of this DENSO starter may differ from the original starter.



Off-Road SPECIFICATIONS



428000-5750

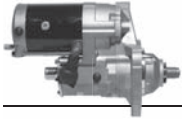


Application: 428000-5750

John Deere Combine, 6135

428000-5750	
PINION SPECIFICATIONS	
DIAMETRAL PITCH	8/10
NUMBER OF TEETH	11
R5.0 STARTER SPECIFICATIONS	
SYSTEM VOLTAGE	12V
NOMINAL OUTPUT	5.0kW (SAE J544B 12V EXTRA HEAVY DUTY)
DIRECTION OF ROTATION	CLOCKWISE VIEWED FROM PINION END
WEIGHT	APPROX. 24 lbs. (11 kg)

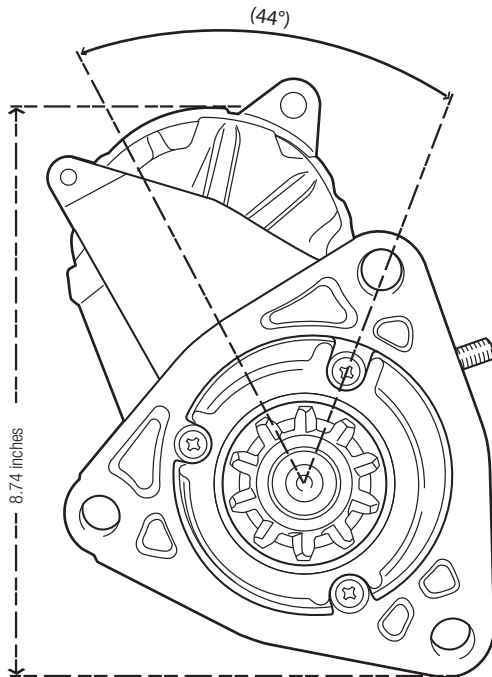
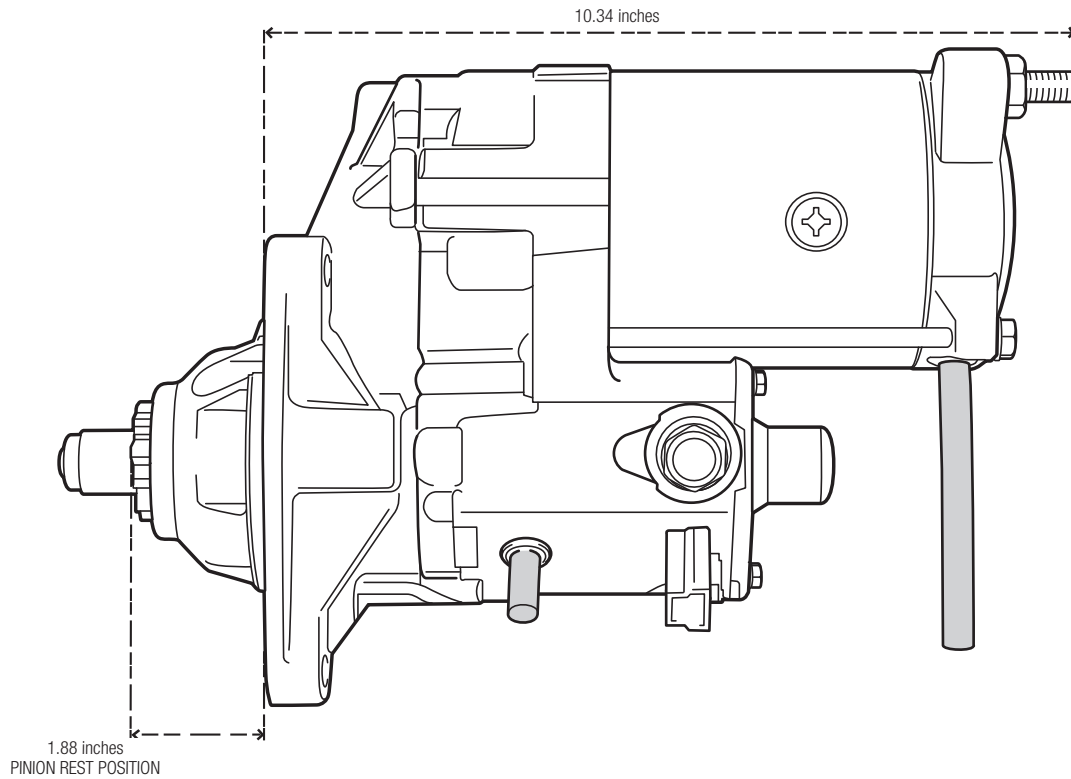
WARRANTY 1 Year/Unlimited Miles (Off-Road Applications)



Off-Road SPECIFICATIONS



428000-5850



Application: 428000-5850

Case New Holland MX240 Tractor w/ Cummins 8.3L engine

42800-5850

PINION SPECIFICATIONS

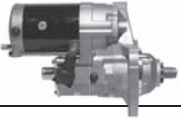
DIAMETRAL PITCH	8
NUMBER OF TEETH	10

R5.0 STARTER SPECIFICATIONS

SYSTEM VOLTAGE	12V
NOMINAL OUTPUT	5.0kW (SAE J544B 12V EXTRA HEAVY DUTY)
DIRECTION OF ROTATION	CLOCKWISE VIEWED FROM PINION END
WEIGHT	APPROX. 24lbs (11kg)
OPERATION VOLTAGE (AT 20°C)	8V MAX

WARRANTY 1Year/Unlimited Miles (Off-Road Applications)

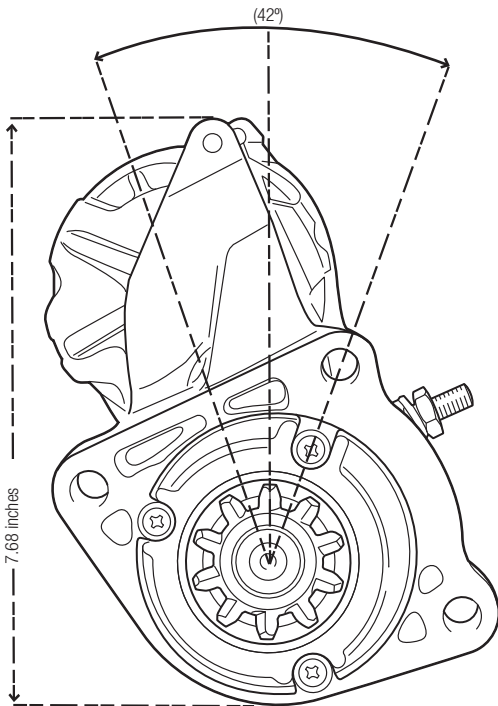
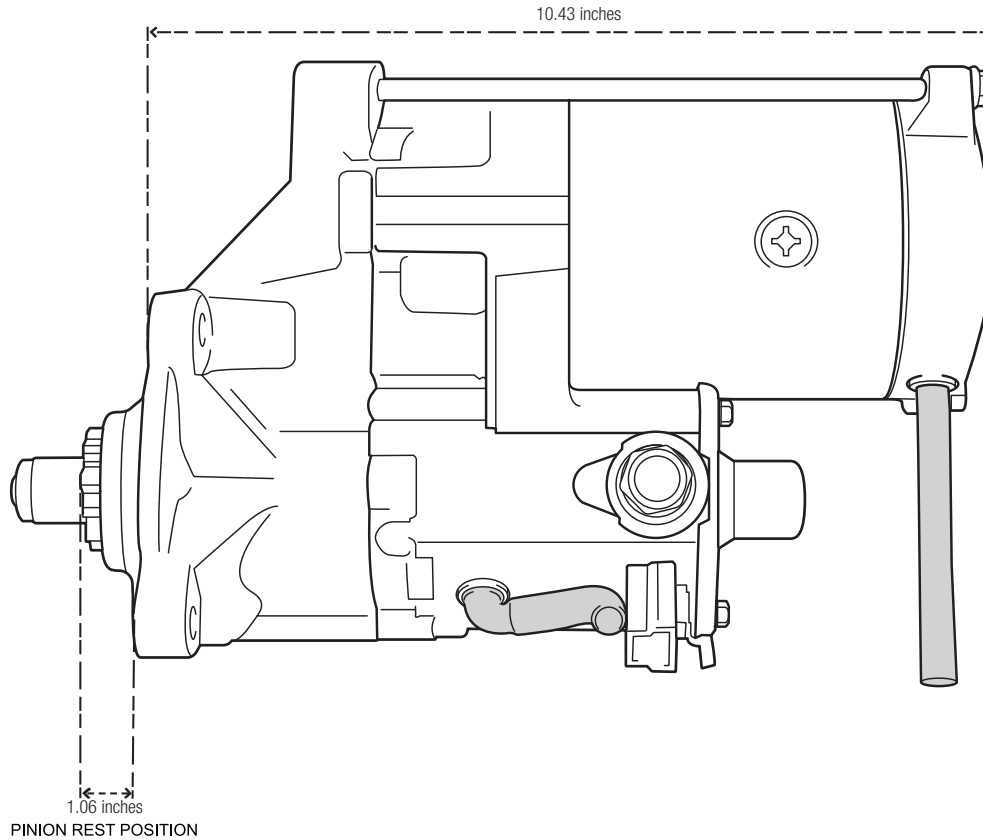
Starter must be installed with the drain tube positioned downward.
The physical appearance of this DENSO starter may differ from the original starter.



Off-Road SPECIFICATIONS



428000-6340

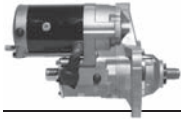


Application: 428000-6340

J.I. Case TV145 Tractor w/ EEA 6.7L, 6cyl

428000-6340	
PINION SPECIFICATIONS	
DIAMETRAL PITCH	8
NUMBER OF TEETH	10
R5.0 STARTER SPECIFICATIONS	
SYSTEM VOLTAGE	12V
NOMINAL OUTPUT	5.0kW (SAE J544B 12V EXTRA HEAVY DUTY)
DIRECTION OF ROTATION	CLOCKWISE VIEWED FROM PINION END
WEIGHT	APPROX. 24lbs (11kg)
OPERATION VOLTAGE (AT 20°C)	8V MAX

WARRANTY 1 Year/Unlimited Miles (Off-Road Applications)



R5.0 Starter Truck /Engine Model Application Chart



R5 Approved Applications July, 2009

Engine/Truck Model	Freightliner	Sterling	International (Thru MY2006)	Peterbilt	Kenworth	Mack	Volvo	Western Star
CAT C11			428000-4420		428000-4420			
CAT C12			428000-4420 ^(C)	428000-4420 ^(D)				428000-4420 ^(E)
CAT C13	428000-4420	428000-4420	428000-4420	428000-4420	428000-4420			
CAT C15	428000-4420	428000-4420	428000-4420	428000-4420	428000-4420			428000-4420 ^(B)
Cummins ISM	428000-4420	428000-4420	428000-4420	428000-4420	428000-4420		428000-4420	
Cummins ISX	428000-4440 428000-5190		428000-4440 428000-5190	428000-5190	428000-5190			
Cummins M11	428000-4430	428000-4430	428000-4430	428000-4430	428000-4430			
Cummins N14	428000-4440	428000-4440	428000-4440	428000-4440	428000-4440		428000-4440	
DD S60	428000-4430 ^(A) 428000-5730	428000-4430 ^(A) 428000-5730	428000-4430 ^(A) 428000-5730	428000-4430 ^(A) 428000-5730	428000-4430 ^(A) 428000-5730		428000-4430 ^(A) 428000-5730	428000-4430 ^(B) 428000-5730 ^(B)
Mack E-Tech, E-7						428000-4430		
MBE 4000	428000-4450	428000-4450						428000-4450
Volvo VE12							428000-5430	

	Under Development
	Not Applicable

^(A) 1994-2006 when the fuel filter is outside the frame rail (single fuel filter)

^(B) 2007 Model Year Only

^(C) 1998 Model Year Only

^(D) 1999 Model Year Only

^(E) 1997 Model Year Only

Disclaimer: At this time, DENSO does not offer a starter for any of the International Model Year 2007 and newer for the Cummins ISX, Caterpillar C11, C13 & C15 or International MaxxForce DT (DT466), 7 (VT365), 11 & 13 engines. International Trucks, as of Model Year 2007, has specified that all new vehicles come standard with a relay diode attached to the starter. The DENSO starter is not applicable for these applications. Currently, DENSO is in the process of developing product to fit these applications that will meet Internationals OEM specifications.

Starter must be installed with the drain tube positioned downward.
The physical appearance of this DENSO starter may differ from the original starter.



FLYWHEEL HOUSING CHART

CASE STARTER APPLICATIONS

No.	Flywheel Housing	Flywheel	Ring Gear	Engine	Used with DP = 8/10 Ring Gear		
					R2.5 kW	R4.0 kW	R7.5 kW
1	222365A2	J930780	J905427 (Z=127)	6B		228000-561* (223900A1)	
2	--	J916634	J901774(Z=159)	4B	128000-021* (1987559C1)		
3	--	J910684					
4	--	J902569					
5	--	J910283					
6	--	J910284					
7	--	J905927					
8	--	J910284					
9	--	J911304					
10	--	J908530				J901774	4B
11	--	J908530	J905427	6B			
12	J908799	J919548		6C			228000-561* (223900A1) (DSCA 228000-7381)

CAT STARTER APPLICATIONS

No	Flywheel Housing	Flywheel	Ring Gear	Engine	Starter							
					RA1.2 kW	RA2.0 kW	RA2.2 kW	RA2.7 kW	RA3.0 kW	RA4.5 kW	IIF5.0 kW	
1	SAE 5 Short	--	1153761300 (Z=96)	3003	228000-7520 (160-4648)							
2	SAE 4 Short 110446650	Light	1153760400 (Z=109)	3013		228000-7530 (144-9966)						
3	SAE 4 Long	Light	1153761600 (Z=126)	3024			228000-8450 (155-9849)					
4	SAE 4 LHS	--	31161147 (Z=112)	3034				228000-7500 (144-9955)				
5	AC102	3121H042	0410236 (Z=115)	3054				228000-1352 (143-0538)				
6	3713M031 3713K021 3713W013	3122E134	31162121 (Z=126)	3054				228000-1422 (143-0539)				
7	3713M031 3713K021 3713W013	3122E134	31162121 (Z=126)	3054						228000-1832 (143-0541)		
8	--	--	2N1599 (Z=126)	3046						228000-3700 (105-3133)		
9	7C3535	9Y9314 1129842	9L8113 (Z=134)	3208								228000-5360 (122-6032)



FLYWHEEL HOUSING CHART

CURRENT STARTER AVAILABILITY FOR ISB SERIES

No.	Flywheel Housing *	Flywheel Housing Option	Used with DP = 8/10 Ring Gear				
			R2.5 kW (12V) (Only for 4B Engine)	R2.7 kW (12V) (4B & 6B Engine)	R3.0 kW (12V) (4B & 6B Engine)	R4.5 kW (24V) (4B & 6B Engine)	
1	3279071 3931629	FH 9060, FH 9194, FH 9261		3957586 (228000-0624) (Wet, Grd, JSPT, DP10/12) 3964427 (428000-1850) (Dry, Grd, DP10/12) 3971610 (428000-2870) (Wet, Grd, JSPT, DP8/10) 3971613 (428000-2920) (Dry, Grd, DP8/10)	3957591 (228000-2672) (Grd, JSPT, DP10/12) 3971611 (428000-2880) (Grd, JSPT, DP8/10)		
2	3279471	FH9084					
3	3904717 3931717 3933387	FH9015, FH9152, FH9815		3957592 (228000-0633) (Grd, JSPT)			
4	3905373 3931715	FH9021, FH9062, FH9098, FH9102, FH9189, FH9195		(UPS P/N 228000-6981) (Dry, Tungsten, DP10/12) (DSCA P/N 228000-7341) (Grd, Wet, DP10/12)	(DSCA P/N 228000-7290) (Grd, DP10/12)	(DSCA P/N 228000-6670)	
5	3281739 3282060	FH9116		3957585 (128000-9504) (Wet, 2 bolt, Grd, JSPT, DP10/12)	(DSCA P/N 228000-3320) (DP10/12)		
6	3904172 3931716	FH9017, FH9020, FH9119, FH9158, FH9187, FH9820		(DSCA P/N 228000-1953) (Wet, DP10/12)	(DSCA P/N 228000-7290) (Grd, DP10/12)		
7	3908005	FH9041, FH9185		(DSCA P/N 428000-0190)			[All - Wet, 2 bolt]
8	3908010	FH9042, FH9192, FH9842		(Wet, Grd, Tungsten, DP10/12)			Not Available (No DP = 8/10 Ring Gear)
9	3912601	FH9043, FH9843		[All - 2 bolt]	[All - Dry, 2 bolt]		
10	3916101	FH9022, FH9822					
11	3281289	Obsolete					
12	3353826	FH9086, FH9190		3964432 (4228000-1870) (Grd, JSPT, DP10/12) 3964428 (428000-1860) (Dry, Grd, DP10/12) 3971615 (428000-2920) (Grd, JSPT, DP8/10) 3971614 (428000-2910) (Dry, Grd, DP8/10)	3957588 (128000-4222) (Grd, JSPT, DP10/12) 3971603 (428000-2860) (Grd, JSPT, DP8/10)		3970101 (228000-1753) (Grd, JSPT, no Cummins label)
13	3354536	FH9106		(DSCA P/N 228000-3310) (DP10/12)			3957593 (228000-7902) (Grd, JSPT)
14	3903282 3937426 3931627	FH9002, FH9010, FH9085, FH9089, FH9182, FH9188, FH9197, FH9802, FH9810		3957594 (128000-0545) (Wet, 2 bolt, Grd, JSPT, DP10/12)	(DSCA P/N 228000-4670) (DP10/12)		(DSCA P/N 228000-7280) (Grd, DP10/12)
15	3903287 3931714	FH9001, FH9009, FH9083, FH9175, FH9801		(DSCA P/N 228000-7311) (Grd, DP10/12)		[All - Wet, 2 bolt]	
16	3912740	FH9071, FH9871		[All - Wet, 2 bolt]	[All - Dry, 2 bolt]		
17	3914004	FH9076					
18	3918780 3932037	FH9094, FH9140, FH9203, FH9289, FH9297		New P/N is necessary	New P/N is necessary		New P/N is necessary
19	3921300 3925223	FH9110, FH9123, FH9146, FH9184		New P/N is necessary	3957587 (228000-4662) (Dry, Grd, JSPT, DP10/12) 3971612 (228000-2890) (Dry, Grd, JSPT, DP8/10)	New P/N is necessary	3957595 (228000-8852) (Wet, Grd, JSPT)
20	3354857	FH9112, FH9155					
21	3921296				(DSCA P/N 228000-3810) (Dry, Tungsten, DP10/12)		
22	3931713	FH9109, FH9124, FH9145, FH9161			(DSCA P/N 228000-7301) (Grd, Dry, Tungsten, DP10/12) (Ford P/N F4HS-11001-HA 228000-4160) (Dry, Tungsten, DP10/12)		
23	3912184	FH9061, FH9861	R3.0 is released		R3.0 is released		
24	3920381	FH9113, FH9154, FH9243	R2.7 will be released	4090084 (428000-1190) (Dry, DP10/12)	R2.7 will be released		
25	3914425	FH9078, FH9196	New housing is required due to SAE #3 mounting.	New housing is required due to SAE #3 mounting.	New housing is required due to SAE #3 mounting.	New housing is required due to SAE #3 mounting.	
26	3913592	FH9073					

* T/C has drawings of italicized p/n's.



FLYWHEEL HOUSING CHART

STARTER AVAILABILITY FOR CUMMINS ISC ENGINE

No.	Flywheel Housing	Flywheel Option	Used with DP = 8/10 Ring Gear	
			R4.0 kW	R7.5 kW
1	3281199	FH9100, FH9299		
2	3281473	FH9108, FH9202		
3	3352374	FH9064, FH9065, FH9221, FH9222		
4	3352392	FH9066, FH9067, FH9209, FH9223, FH9866		
5	3354010	OBSOLETE		
6	3906689	FH9032, FH9033, FH9097, FH9170, FH9219, FH9230, FH9832, FH9833	3957589 (228000-5622) (DSCA 228000-6511)	3283814 (228000-5631) 3957597 (428000-1340)(Grd)
7	3908799	FH9030, FH9031, FH9135, FH9207, FH9227, FH9306, FH9830, FH9831		
8	3353675	FH9079, FH9217		
9	3906690 3922675 3926207	FH9133, FH9136, FH9137, FH9183, FH9205, FH9834, FH9835	3957590 (228000-5902) (DSCA 228000-9300) (Grd) DSCA 228000-5310	3958033 (428000-0060)
10	3906766	FH9036, FH9037, FH9208, FH9218		
11	3908548	FH9051, FH9216, FH9851		
12	3911604	FH9057, FH9212		
13	3913344	FH9070		
14	3913368	FH9075, FH9229		
15	3913593	FH9074, FH9179		
16	3917459	FH9081, FH9224		
17	3921629 3926238 3928490	FH9138, FH9157		
18	3921956 3926239 3928491	FH9139, FH9163		
19	3924581	FH9118, FH9204, FH9259		
20	3925338	FH9126		
21	3927779	FH9141		
22	3927780	FH9142, FH9226, FH9295		
23	3927876	FH9114		
24				228000-5052 (3282626)
25				228000-2201 (3924466) 428000-1330 (3957598) (Grd)
26				DSCA 228000-5001
27	3904717 3933387	FH9015, FH9152, FH9815	3939012 228000-8520	



YEAR	ENGINE	VOLTS	KW	OEM PART NUMBER	NEW PART NUMBER	SOLENOID ANGLE	TYPE	REMAN PART NUMBER	APPLICATION INFORMATION
ALLIS-CHALMERS									
070									
1975-1978	670T	12	4.0	268757	028000-4930		F		
080									
1975-1978	670T	12	4.0	268757	028000-4930		F		
508									
1975-1978	670T	12	4.0	268757	028000-4930		F		
803									
1975-1978	670T	12	4.0	268757	028000-4930		F		
7030									
1975-1978	670T	12	4.0	268757	028000-4930		F		
7040									
1975-1978	670T	12	4.0	268757	028000-4930		F		
7045									
1975-1978	670T	12	4.0	268757	028000-4930		F		
7060									
1975-1978	670T	12	4.0	268757	028000-4930		F		
7050 (130-175 HP)									
1975-1978	670T	12	4.0	268757	028000-4930		F		
8550,4W.305									
1978	612T	12	5.0	259241	028000-5460		F		
1979	213	12	1.8	4530388	028000-6400		R		Replaced by 028000-8130
1979	213	12	1.8	34566-00100 (Mit Hvy Ind.)	028000-6400		R		Replaced by 028000-8130
1979	320	12	1.8	4530388	028000-6400		R		Replaced by 028000-8130
1979	320	12	1.8	34566-00100 (Mit Hvy Ind.)	028000-6400		R		Replaced by 028000-8130
1979	426	12	2.5	4530350	028000-6412		R		
1979	426	12	2.5	34566-00100 (Mit Hvy Ind.)	028000-6412		R		
6060									
1981	433T	12	2.5	270324	028000-6783		R		
8010									
1981	433T	12	2.5	270324	028000-6783		R		
6080 (70-125HP)									
1981	433T	12	2.5	270324	028000-6783		R		
1982	213	12	2.0	34566-10100	028000-8130		R		
1982	320	12	2.0	34566-10100	028000-8130		R		
1978	Combine 35000 Series Engine	24	8.0	1113849	LAY42800-0070	308	P		
CRAWLER TRACTOR AND LOADER									
1970-1973	HD6	24	8.0	1113895, 1113898	LAY42800-0070	308	P		
1970-1973	HD6G w/ 6000 Diesel	24	8.0	1113895, 1113898	LAY42800-0070	308	P		
1970-1973	HD7GB w/ 3500 Diesel	24	8.0	1113895, 1113898	LAY42800-0070	308	P		
1970-1973	HD11DD/PS	24	8.0	1113895, 1113898	LAY42800-0070	308	P		

STARTER APPLICATIONS



YEAR	ENGINE	VOLTS	KW	OEM PART NUMBER	NEW PART NUMBER	SOLENOID ANGLE	TYPE	REMAN PART NUMBER	APPLICATION INFORMATION
ALLIS-CHALMERS (continued)									
CRAWLER TRACTOR AND LOADER (continued)									
1970-1973	HD12G w/ 11000 Diesel	24	8.0	1113895, 1113898	LAY42800-0070	308	P		
1970-1973	HD16/PS w/ 16000 Diesel	24	8.0	1113895, 1113898	LAY42800-0070	308	P		
1970-1973	HD21/G w/ 21000 Diesel	24	8.0	1113895, 1113898	LAY42800-0070	308	P		
GEN SET									
1975-1978	11000 Diesel	24	8.0	1113855, 1113892	LAY42800-0070	308	P		
1975-1978	17000 Diesel	24	8.0	1113855, 1113892	LAY42800-0070	308	P		
1975-1978	21000 Diesel	24	8.0	1113855, 1113892	LAY42800-0070	308	P		
1975-1978	25000 Diesel	24	8.0	1113855, 1113892	LAY42800-0070	308	P		
1970-1971	11000 Diesel	24	8.0	1113892	LAY42800-0070	308	P		
1970-1971	21000H Diesel	24	8.0	1113892	LAY42800-0070	308	P		
1970-1971	25000 Diesel	24	8.0	1113892	LAY42800-0070	308	P		
1979	685 Series	24	8.0	1113855, 1113892	LAY42800-0070	308	P		
1979	6138 Series	24	8.0	1113855, 1113892	LAY42800-0070	308	P		
GRADER									
1971-1973	M100 w/ D417511000 Diesel	24	8.0	1113900	LAY42800-0070	308	P		
1970	M100 w/ 10000 Diesel	24	8.0	1113900	LAY42800-0070	308	P		
LOADER									
1970-1971	TL645 Tractor w/ 3500 Diesel	24	8.0	1113855	LAY42800-0070	308	P		
1973	945 w/25000 Diesel	24	8.0	1114727	LAY42800-0070	308	P		
1972	645 Series B w/ 3500 Diesel	24	8.0	1113849	LAY42800-0070	308	P		
1972	745 Series B w/ 11000 Diesel	24	8.0	1113849	LAY42800-0070	308	P		
POWER UNIT									
1981-1986	670 Series	24	8.0	1114851, 1114915, 1114916	LAY42800-0070	308	P		
1981-1986	685 Series	24	8.0	1114851, 1114915, 1114916	LAY42800-0070	308	P		
1981-1986	6738 Series	24	8.0	1114851, 1114915, 1114916	LAY42800-0070	308	P		
1979-1980	670 Series	24	8.0	1113898	LAY42800-0070	308	P		
1975-1978	11000 Diesel	24	8.0	1113898, 1113855	LAY42800-0070	308	P		
1975-1978	21000 Diesel	24	8.0	1113898, 1113855	LAY42800-0070	308	P		
1975-1978	25000 Diesel	24	8.0	1113898, 1113855	LAY42800-0070	308	P		
1973-1978	3400 Series Mark II	24	8.0	1113898	LAY42800-0070	308	P		
1973-1978	3500 Series Mark II	24	8.0	1113898	LAY42800-0070	308	P		
1970-1971	10000 Diesel	24	8.0	1113855	LAY42800-0070	308	P		
1970-1971	11000 Diesel	24	8.0	1113855	LAY42800-0070	308	P		
1970-1971	16000 Diesel	24	8.0	1113855, 1113892	LAY42800-0070	308	P		
1970-1971	21000H Diesel	24	8.0	1113855, 1113892	LAY42800-0070	308	P		
1970-1971	25000 Diesel	24	8.0	1113855, 1113892	LAY42800-0070	308	P		



YEAR	ENGINE	VOLTS	kW	OEM PART NUMBER	NEW PART NUMBER	SOLENOID ANGLE	TYPE	REMAN PART NUMBER	APPLICATION INFORMATION
ALLIS-CHALMERS (continued)									
POWER UNIT (continued)									
1980	685 Series	24	8.0	1113855, 1113892	LAY42800-0070	308	P		
1980	6138 Series	24	8.0	1113855, 1113892	LAY42800-0070	308	P		
TRACTOR SCRAPER									
1970-1973	260 Series A w/ 21000 Diesel	24	8.0	1113926	LAY42800-0070	308	P		
1973	260 Series B w/ 25000 Diesel	24	8.0	1113926	LAY42800-0070	308	P		
1973	261 Series B w/ 25000 Diesel	24	8.0	1113926	LAY42800-0070	308	P		
ATLAS COPCO									
LOADERS									
1995-Up	XAS90 w/ 4039D J. Deere Eng.	12	2.5	RE54092	028000-8403		R	9702809-840	Replaced by 228000-6471
1996-Up	XAS175 w/ 4045T J. Deere Eng.	12	2.5	RE59595	128000-8294		R	9712809-829	
1997	XAS90 w/ 4039 J. Deere Eng.	12	2.7	RE68470	228000-6471		R		
1997	XAS175 w/ 4045T J. Deere Eng.	12	4.0	RE69704	228000-6532		R		
BLUE BIRD									
1994-1997	Cummins 6B 5.9L	12	2.7	1760057	228000-1953		R	280-8000	Wet Clutch
1994-1997	Cummins 6B 5.9L	12	2.7	1760065	228000-3811		R		
1994-1997	Cummins 6B 5.9L	12	2.7	1769512	228000-4671		R		
TCRE W/AT									
1994-1997	Cummins 6B	12	2.7		228000-4671		R		
1997-Up	Cummins 6C	12	4.0	1935477	228000-5311		R	280-8002	Dry Clutch & Ground Stud
1997-Up	Cummins ISC	12	4.0	1935477	228000-5311		R	280-8002	Dry Clutch & Ground Stud
1995-Up	John Deere 8.1L CNG (Compressed Natural Gas)	12	4.0	1839281	228000-5463		R		
1997-Up	CAT 3116	12	4.0	1454651	228000-5851		R	280-8019	SAE #2 hsg./Wet Clutch
1997-Up	CAT 3126	12	4.0	1454651	228000-5851		R	280-8019	SAE #2 hsg./Wet Clutch
1997-Up	Cummins ISB	12	2.7	1967561	228000-7301		R	280-8005	Dry Clutch & Ground Stud
1997	John Deere 8.1L CNG	12	4.0	1930163	228000-7490		R		Dry Clutch & Ground Stud, Replaced by 228000-7491
1997-Up	CAT 3116	12	4.0	1454651	428000-1610		R		SAE #2 hsg./ Dry Clutch
1997-Up	CAT 3126	12	4.0	1454651	428000-1610		R		SAE #2 hsg./ Dry Clutch
2007 -	Cummins ISB 07, 6.7L	12	3.0		428000-5120		PA90S		
2008 -	Cummins ISL, 8.9L	12	4.0		228000-5311		R		
BOMBARDIER									
1978	640E	12	0.5		028000-4292		GA		
1978	640E	12	0.5		028000-4292				

STARTER APPLICATIONS



YEAR	ENGINE	VOLTS	KW	OEM PART NUMBER	NEW PART NUMBER	SOLENOID ANGLE	TYPE	REMAN PART NUMBER	APPLICATION INFORMATION
BOMBARDIER (continued)									
1984	504	12	0.7		128000-0820		BA		
CITATION 250									
1988		12	0.6	995430	128000-1671		F		
1988		12	0.6	995430	128000-1671				
1986	503	12	0.6	410209200	128000-4291		GA		
ROTAX MARINE JET SKI									
1992	BBDR-ROTAX	12	0.6	995435	128000-4864		F		
SKI-DOO									
1990	ROTAX 655	12	0.9	294350	128000-8250		BA		
SKI-DOO									
1990	Formula	12	0.6	410-2116	128000-9210		GA		
1993	Formula 2000	12	0.6	410-2123	228000-2420		GA		
INDUSTRIAL									
1993	Getr/E	12	0.6	293-153	228000-2780		BA		
SEA-DOO									
1994	0.6L	12	0.6	278000484	228000-4553		BB		
SKI-DOO									
1997		12	0.6	5151753051	228000-6910		R		
CAPACITY OF TEXAS									
TJ5000 DOT									
2007 -	Cummins ISB 07, 6.7L	12	3.0		428000-5120		PA90S		
TJ5000 OFF ROAD									
2007 -	Cummins ISB 07, 6.7L	12	3.0		428000-5120		PA90S		
VARIOUS									
2007-	CAT C6.6	12	4.0		428000-5440		R		
CARRIER TRANSICOLD									
KINGBIRD D-950									
1978	ZB-600-C	12	1.4	19212-63011 (Kubota)	028000-6140		IIR	9702809-614	Available in Reman Only
1978	ZB-600-C	12	1.4	25-35458	028000-6140		IIR	9702809-614	Available in Reman Only
TDB/TDS-14									
1978	ZB-600-C	12	1.4	19212-63011 (Kubota)	028000-6140		IIR	9702809-614	Available in Reman Only
1978	ZB-600-C	12	1.4	25-35458	028000-6140		IIR	9702809-614	Available in Reman Only
TDB/TDS-18									
1978	ZB-600-C	12	1.4	19212-63011 (Kubota)	028000-6140		IIR	9702809-614	Available in Reman Only
1978	ZB-600-C	12	1.4	25-35458	028000-6140		IIR	9702809-614	Available in Reman Only
EAGLE PLUS									
1981	CT-4114	12	1.4	25-37640	028000-7830		IIR	9722809-107	Replaced by 228000-1071, Avail. In Reman Only
1981	V1902-B	12	1.4	19202-63011 (Kubota)	028000-7830		IIR	9722809-107	Replaced by 228000-1071, Avail. In Reman Only



YEAR	ENGINE	VOLTS	KW	OEM PART NUMBER	NEW PART NUMBER	SOLENOID ANGLE	TYPE	REMAN PART NUMBER	APPLICATION INFORMATION
CARRIER TRANSICOLD (continued)									
NDB-405									
1981	CT-4114	12	1.4	25-37640	028000-7830		IIR	9722809-107	Replaced by 228000-1071, Avail. In Reman Only
1981	V1902-B	12	1.4	19202-63011 (Kubota)	028000-7830		IIR	9722809-107	Replaced by 228000-1071, Avail. In Reman Only
NDF-405									
1981	CT-4114	12	1.4	25-37640	028000-7830		IIR	9722809-107	Replaced by 228000-1071, Avail. In Reman Only
1981	V1902-B	12	1.4	19202-63011 (Kubota)	028000-7830		IIR	9722809-107	Replaced by 228000-1071, Avail. In Reman Only
NDJ-405									
1981	CT-4114	12	1.4	25-37640	028000-7830		IIR	9722809-107	Replaced by 228000-1071, Avail. In Reman Only
1981	V1902-B	12	1.4	19202-63011 (Kubota)	028000-7830		IIR	9722809-107	Replaced by 228000-1071, Avail. In Reman Only
NDS-405									
1981	CT-4114	12	1.4	25-37640	028000-7830		IIR	9722809-107	Replaced by 228000-1071, Avail. In Reman Only
1981	V1902-B	12	1.4	19202-63011 (Kubota)	028000-7830		IIR	9722809-107	Replaced by 228000-1071, Avail. In Reman Only
UDE-405									
1981	CT-4114	12	1.4	25-37640	028000-7830		IIR	9722809-107	Replaced by 228000-1071, Avail. In Reman Only
1981	V1902-B	12	1.4	19202-63011 (Kubota)	028000-7830		IIR	9722809-107	Replaced by 228000-1071, Avail. In Reman Only
UDG-405									
1981	CT-4114	12	1.4	25-37640	028000-7830		IIR	9722809-107	Replaced by 228000-1071, Avail. In Reman Only
1981	V1902-B	12	1.4	19202-63011 (Kubota)	028000-7830		IIR	9722809-107	Replaced by 228000-1071, Avail. In Reman Only
T-BIRD 500									
1987	V1902	12	1.4	19821-63011 (Kubota)	128000-0140		R	9722809-107	Replaced by 228000-1071, Avail. In Reman Only
1987	V1902	12	1.4	25-37725-00	128000-0140		R	9722809-107	Replaced by 228000-1071, Avail. In Reman Only
1984	Mercedes OM636	12	2.0	45-1170 (ThermoKing)	128000-0570		R		Replaced by 128000-2280
1984	Mercedes OM636	12	2.0	MEO-6005-A (Prestolite)	128000-0570		R		Replaced by 128000-2280
1985	Mercedes OM636	12	2.0	30-00308-02 (Carrier)	128000-2280		R		
1985	Mercedes OM636	12	2.0	MEO-6005-A (Prestolite)	128000-2280		R		
SILVER HAWK									
1987	ZB600C	12	1.4	19215-63011	128000-4900		IIR	9722809-106	Available in Reman Only
1987	ZB600C	12	1.4	25-35465	128000-4900		IIR	9722809-106	Available in Reman Only
1988	CT-4114	12	1.4	25-38750-00	128000-6280		R	9722809-107	Replaced by 228000-1071, Avail. In Reman Only



YEAR	ENGINE	VOLTS	KW	OEM PART NUMBER	NEW PART NUMBER	SOLENOID ANGLE	TYPE	REMAN PART NUMBER	APPLICATION INFORMATION
CARRIER TRANSICOLD (continued)									
1988	V2202	12	1.4	19013-63011 (Kubota)	128000-6280		R	9722809-107	Replaced by 228000-1071, Avail. In Reman Only
1992	V2202	12	1.4	19013-63012 (Kubota)	228000-1071		RA	9722809-107	Available in Reman Only
1992	V2202	12	1.4	25-39135-00	228000-1071		RA	9722809-107	Available in Reman Only
GENESIS MODEL REEFER									
	V2203	12	2.0	25-39316-00	428000-0930		RA	9742809-093	Available in Reman Only
	V2203	12	2.0	25-39192-00	428000-0930		RA	9742809-093	Available in Reman Only
ULTRA ADVANCE MODEL									
	V2203	12	2.0	25-39316-00	428000-0930		RA	9742809-093	Available in Reman Only
	V2203	12	2.0	25-39192-00	428000-0930		RA	9742809-093	Available in Reman Only
CASE CONSTRUCTION									
CRANE									
1981-1982	GMC 4-71	24	8.0	1114923	LAY42800-0070	308	P		
CASE INTERNATIONAL									
TRACTOR / COMBINES									
	Cummins 6C (Wet)	12	4.8	87413501	428000-2960		R		
TRACTOR									
	Cummins 6B	24	7.5	332443A1	228000-8571		R		
CASE NEW HOLLAND									
TRACTOR W/CUMMINS ENG									
	Cummins 6B	24	7.5	332443A1	228000-8571		R		
WHEEL LOADER 621D									
2001-	621D	24	7.5	8605784	428000-2591		R		
2006-	NEF	12	4.0	87442359	428000-4630		R		
GARDEN TRACTOR									
1997-2000	Kohler 20, 22hp gas	12	0.6	K0H2409801	228000-2640			9722809-264	
SKID STEER LOADER L120 & LS120									
	Kohler 18hp gas	12	0.6	K0H2409801	228000-2640			9722809-264	
MX240 TRACTOR									
2008-	Cummins 8.3L	12	5.0	87593436	428000-5850				
CATERPILLAR									
910 WHEEL LOADER									
1973		12	4.0	4N-0241	028000-3650		F		Replaced by 028000-5961
931 TRAX CAVATOR									
1973		12	4.0	4N-0241	028000-3650		F		Replaced by 028000-5961
FORKLIFT									
1977	Perkins 4.236	12	4.0	1107539	028000-5040		F		
1977	Perkins 4.236	12	4.0	7N-0923	028000-5040		F		



YEAR	ENGINE	VOLTS	KW	OEM PART NUMBER	NEW PART NUMBER	SOLENOID ANGLE	TYPE	REMAN PART NUMBER	APPLICATION INFORMATION
CATERPILLAR (continued)									
910 WHEEL LOADER									
1988	D393	12	4.0	4N-0241	028000-5961		F		
1988	D393	12	4.0	9X-0354	028000-5961		F		
1988	D393	12	4.0	9X-0354	028000-5961		F		
931 TRAX CAVATOR									
1988	D393	12	4.0	4N-0241	028000-5961		F		
FORKLIFT									
1989	Perkins 4.236	12	4.0	1107539	028000-6921		F		
1989	Perkins 4.236	12	4.0	9G-6941	028000-6921		F		
1989	Perkins 4.236	12	4.0	9X-0353	028000-6921		F		
LIFT TRUCK									
1982-1984	V30A w/ 1404 CAT Eng.	12	1.4	3T-5649	028000-8230		R	280-7019	
TOW MOTOR									
1981	White 1404	12	1.4	1109422 (Delco)	028000-8230		R		
1981	White 1404	12	1.4	3T-5649	028000-8230		R		
1982	Continental	12	1.4	3T-8210	028000-8380		R	280-7027	3 bolt mount
1984	Continental	12	1.4	1109420 (Delco)	028000-8390		IIR	280-7028	2 bolt mount
1984	Continental	12	1.4	3T-8211	028000-8390		IIR	280-7028	2 bolt mount
LT-431									
1984	Peugeot (Gas)	12	1.4	3T-8209	028000-9820		IIR	280-7026	
LT-433									
1984	Peugeot (Diesel)	12	2.0	3T-8208	028000-9830		R	280-7029	
LIFT TRUCK									
1985-Up	Peugot (Gas)	12	1.4	6T-7002	128000-0590		R	280-7023	
TOW MOTOR									
1985	Peugeot (Gas)	12	1.4	6T-7002	128000-0590		R	280-7023	
LIFT TRUCK									
1985-Up	Peugot Diesel Eng.	12	2.0	6T-7003	128000-1040		R	280-7025	
R1FUTO									
1984	Peugeot (Diesel)	12	2.0	6T-7003	128000-1040		R	280-7025	
1985	White 1404	12	1.4	6T-7004	128000-1050		R	280-7020	
LIFT TRUCK									
1985-Up	V30A w/ 1404 CAT Eng.	12	1.4	6T-7004	128000-1050		R	280-7020	
1985	Perkins 4-2032	12	2.5	143-0535	128000-1062		R	280-7030	
1985	Perkins 4-2032	12	2.5	6T-7001	128000-1062		R	280-7030	
LIFT TRUCK									
1989	Perkins 4.236	12	2.5	143-0536	128000-4084		R	280-7024	

STARTER APPLICATIONS



YEAR	ENGINE	VOLTS	KW	OEM PART NUMBER	NEW PART NUMBER	SOLENOID ANGLE	TYPE	REMAN PART NUMBER	APPLICATION INFORMATION
CATERPILLAR (continued)									
LIFT TRUCK (continued)									
1989	Perkins 4.236	12	2.5	7C-2264	128000-4084		R	280-7024	
1989	Perkins 4.236	12	2.5	8T-8619	128000-4084		R	280-7024	
RAY GO, CMI									
1989	Perkins 4.236	12	2.5	8T-9685	128000-4092		R		Replaced by 128000-2253
1989	Perkins 4.236	12	2.5	143-0537	128000-4092		R		Replaced by 128000-2253
1989	Perkins 4.236	12	2.5	7C-4622	128000-4092		R		Replaced by 128000-2253
ENGINES									
1987-1993	3208	24	4.5	8C-5580	128000-4972		R	9712809-497	
1987-1990	3304	24	4.5	8C-5580	128000-4972		R	9712809-497	
1987-1990	3306	24	4.5	8C-5580	128000-4972		R	9712809-497	
GEN SET									
1988	3208	24	4.5	1114156	128000-4972		R	9712809-497	
1988	3208	24	4.5	143-0540	128000-4972		R	9712809-497	
1988	3208	24	4.5	8C-5580	128000-4972		R	9712809-497	
1988	3304	24	4.5	1114156	128000-4972		R	9712809-497	
1988	3304	24	4.5	143-0540	128000-4972		R	9712809-497	
1988	3304	24	4.5	8C-5580	128000-4972		R	9712809-497	
1988	3306	24	4.5	1114156	128000-4972		R	9712809-497	
1988	3306	24	4.5	143-0540	128000-4972		R	9712809-497	
1988	3306	24	4.5	8C-5580	128000-4972		R	9712809-497	
1991	SEL 3114	12	3.0	3E-5382	128000-5723		R	9712809-572	
1991	SEL 3114	12	3.0	9W-2946	128000-5723		R	9712809-572	
1991	SEL 3116	12	3.0	3E-5382	128000-5723		R	9712809-572	
1991	SEL 3116	12	3.0	9W-2946	128000-5723		R	9712809-572	
ENGINES									
1991-1993	3114	12	3.0	9W-3748	128000-5723		R	9712809-572	
1991-1993	3116	12	3.0	9W-3748	128000-5723		R	9712809-572	
1991	SEL 3114	24	5.5	3E-5381	128000-5732		R	9712809-573	
1991	SEL 3114	24	5.5	8C-4774	128000-5732		R	9712809-573	
1991	SEL 3114	24	5.5	9W-3748	128000-5732		R	9712809-573	
1991	SEL 3116	24	5.5	3E-5381	128000-5732		R	9712809-573	
1991	SEL 3116	24	5.5	8C-4774	128000-5732		R	9712809-573	
1991	SEL 3116	24	5.5	9W-3748	128000-5732		R	9712809-573	
ENGINES									
1991-1993	3176	24	5.5	3E-5381	128000-5732		R	9712809-573	
1991-1993	3114	24	5.5	3E-5381	128000-5732		R	9712809-573	
1991-1993	3116	24	5.5	3E-5381	128000-5732		R	9712809-573	
EXCAVATOR									
1991-1992	EL240B w/ 3116 Eng.	24	5.5	3E-5381	128000-5732		R	9712809-573	
TOOL CARRIER									
1989-1996	IT24B w/ 3114 Eng.	24	5.5	9W-3748	128000-5732		R	9712809-573	



YEAR	ENGINE	VOLTS	kW	OEM PART NUMBER	NEW PART NUMBER	SOLENOID ANGLE	TYPE	REMAN PART NUMBER	APPLICATION INFORMATION
CATERPILLAR (continued)									
TOOL CARRIER (continued)									
1989-1993	IT12B w/ 3114 Eng.	24	5.5	9W-3748	128000-5732		R	9712809-573	
TRACTOR									
1995-1996	85C Challenger w/ 3176 Eng.	24	5.5	8C-4774	128000-5732		R	9712809-573	
1993-1995	75C Challenger w/ 3176 Eng.	24	5.5	8C-4774	128000-5732		R	9712809-573	
1991-1992	75 Challenger w/ 3176 Eng.	24	5.5	8C-4774	128000-5732		R	9712809-573	
LIFT TRUCK									
1988-Up	4-236G Perkins Eng.	12	1.4	7X-1057	128000-6870		IIR	280-7021	
1991	SCM3306	24	8.0	4N-3181	128000-7510		IIF		
1991	SCM3306	24	8.0	9X-4447	128000-7510		IIF		
1991	SCM3304	24	8.0	3T-4586	128000-7520		IIF		
1991	SCM3304	24	8.0	9X-4453	128000-7520		IIF		
ENGINES									
1991-1995	3304	24	8.0	9X-4453	128000-7520		IIF		
1991-1995	3306	24	8.0	9X-4453	128000-7520		IIF		
EXCAVATOR									
1991-1992	235C w/ 3306 Eng.	24	8.0	9X-4453	128000-7520		IIF		
LANDFILL COMPACTOR									
1991-1996	816B w/ 3306 Eng.	24	8.0	9X-4453	128000-7520		IIF		
MOTOR GRADER									
1991-1995	120G w/ 3304 Eng.	24	8.0	9X-4453	128000-7520		IIF		
1991-1995	140G w/ 3306 Eng.	24	8.0	9X-4453	128000-7520		IIF		
1991-1995	14G w/ 3306 Eng.	24	8.0	9X-4453	128000-7520		IIF		
PIPELAYER									
1991-1992	561D w/ 3306 Eng.	24	8.0	9X-4453	128000-7520		IIF		
1991-1992	572G w/ 3306 Eng.	24	8.0	9X-4453	128000-7520		IIF		
SCRAPER									
1991-1993	615C w/ 3306 Eng.	24	8.0	9X-4453	128000-7520		IIF		
1991-1993	627E w/ 3306 Eng.	24	8.0	9X-4453	128000-7520		IIF		
1991	637E w/ 3306 (Rear)	24	8.0	9X-4453	128000-7520		IIF		



YEAR	ENGINE	VOLTS	KW	OEM PART NUMBER	NEW PART NUMBER	SOLENOID ANGLE	TYPE	REMAN PART NUMBER	APPLICATION INFORMATION
CATERPILLAR (continued)									
SOIL COMPACTOR									
1991-1996	815B w/ 3306 Eng.	24	8.0	9X-4453	128000-7520		IIF		
TRACK LOADER									
1991-1995	963 w/ 3304 Eng.	24	8.0	9X-4453	128000-7520		IIF		
1991-1995	973 w/ 3306 Eng.	24	8.0	9X-4453	128000-7520		IIF		
TRACK-TYPE TRACTOR									
1991-1995	D5H w/ 3304 Eng.	24	8.0	9X-4453	128000-7520		IIF		
1991-1993	D6H w/ 3306 Eng.	24	8.0	9X-4453	128000-7520		IIF		
1991-1993	D7G w/ 3306 Eng.	24	8.0	9X-4453	128000-7520		IIF		
1991-1993	D7H w/ 3306 Eng.	24	8.0	9X-4453	128000-7520		IIF		
WHEEL LOADER									
1991-1994	966F w/ 3306 Eng.	24	8.0	9X-4453	128000-7520		IIF		
WHEEL SKIDDER									
1991-1995	518 w/ 3304 Eng.	24	8.0	9X-4453	128000-7520		IIF		
1991-1995	528 w/ 3306 Eng.	24	8.0	9X-4453	128000-7520		IIF		
WHEEL TRACTOR DOZER									
1991-1995	814B w/ 3306 Eng.	24	8.0	9X-4453	128000-7520		IIF		
1991	SCM3204	24	8.0	3T-2764	128000-7530		IIF		
1991	SCM3204	24	8.0	9X-4454	128000-7530		IIF		
ENGINES									
1991-1993	3204	24	8.0	3T-2764	128000-7530		IIF		
TOOL CARRIER									
1991-1993	IT28B w/ 3204 Eng.	24	8.0	3T-2764	128000-7530		IIF		
1991-1992	IT18B w/ 3204 Eng.	24	8.0	3T-2764	128000-7530		IIF		
TRACK LOADER									
1991-1992	943 w/ 3204 Eng.	24	8.0	3T-2764	128000-7530		IIF		
1991-1992	953 w/ 3204 Eng.	24	8.0	3T-2764	128000-7530		IIF		
WHEEL LOADER									
1991-1996	980F w.3406	24	8.0	3T-2764	128000-7530		IIF		



YEAR	ENGINE	VOLTS	kW	OEM PART NUMBER	NEW PART NUMBER	SOLENOID ANGLE	TYPE	REMAN PART NUMBER	APPLICATION INFORMATION
CATERPILLAR (continued)									
WHEEL LOADER (continued)									
1991-1992	916 w/ 3204 Eng.	24	8.0	3T-2764	128000-7530		IIF		
1991-1992	926E w/ 3204 Eng.	24	8.0	3T-2764	128000-7530		IIF		
1991-1992	980C w/ 3406 Eng.	24	8.0	3T-2764	128000-7530		IIF		
1991	SCM3406	24	8.0	6N-1889	128000-7540		IIF		
1991	SCM3402	24	8.0	6N-1889	128000-7540		IIF		
1991	SCM3406	24	8.0	9X-4452	128000-7540		IIF		
1991	SCM3402	24	8.0	9X-4452	128000-7540		IIF		
ENGINES									
1991-1996	3408	24	8.0	9X-4452	128000-7540		IIF		
1991-1996	3412	24	8.0	9X-4452	128000-7540		IIF		
1991-1995	3406	24	8.0	9X-4452	128000-7540		IIF		
EXCAVATOR									
1991-1995	245D w/ 3406 Eng.	24	8.0	9X-4452	128000-7540		IIF		
LANDFILL COMPACTOR									
1991-1996	826C w/ 3406 Eng.	24	8.0	9X-4452	128000-7540		IIF		
MOTOR GRADER									
1991-1995	16G w/ 3406 Eng.	24	8.0	6N-1889	128000-7540		IIF		
SCRAPER									
1991-1993	621E w/ 3406 Eng.	24	8.0	6N-1889	128000-7540		IIF		
1991-1993	623E w/ 3406 Eng.	24	8.0	6N-1889	128000-7540		IIF		
SOIL COMPACTOR									
1991-1996	825C w/ 3406 Eng.	24	8.0	6N-1889	128000-7540		IIF		
TOOL CARRIER									
1991-1993	IT148 w/ Cummins Eng.	24	8.0	6N-1889	128000-7540		IIF		
TRACK-TYPE TRACTOR									
1991-1995	D8N w/ 3406 Eng.	24	8.0	6N-1889	128000-7540		IIF		
WHEEL TRACTOR DOZER									
1991-1996	824C w/ 3406 Eng.	24	8.0	6N-1889	128000-7540		IIF		
1991	Perkins 4.248	12	2.5	3E-0079	128000-9610		R		Replaced by 128000-4084

STARTER APPLICATIONS



YEAR	ENGINE	VOLTS	KW	OEM PART NUMBER	NEW PART NUMBER	SOLENOID ANGLE	TYPE	REMAN PART NUMBER	APPLICATION INFORMATION
CATERPILLAR (continued)									
LIFT TRUCK									
1989-Up	4-248 Perkins Diesel Eng.	12	2.5	3E-0079	128000-9610		R		Replaced by 128000-4084
1989-Up	R704RW	12	2.5	3E-0079	128000-9610		R		Replaced by 128000-4084
1989-Up	R80-4WD	12	2.5	3E-0079	128000-9610		R		Replaced by 128000-4084
1991	Perkins 4.248	12	4.0	3E-1864	128000-9680		IIF		
1990	3204	12	4.0	3E-1864	128000-9680		IIF		
1990	4248	12	4.0	3E-1864	128000-9680		IIF		
LIFT TRUCK									
1977-Up	4-236 Perkins Diesel Eng.	12	4.0	3E-1864	128000-9680		IIF		
1991	SCM3204	12	4.0	3E-1865	128000-9690		IIF		
ENGINES									
1991-1993	3204	12	4.0	3E-1865	128000-9690		IIF		
TRACK LOADER									
1990-1993	931C w/ 3204 Eng.	12	4.0	3E-1865	128000-9690		IIF		
1990-1993	935C w/ 3046 Eng.	12	4.0	3E-1865	128000-9690		IIF		
1985-1993	951 Trax Cavator w/ 3204 Eng.	12	4.0	3E-1865	128000-9690		IIF		
1979-1988	931B w/ 3204 Eng.	12	4.0	3E-1865	128000-9690		IIF		
1972-1979	931 w/ 3204 Eng.	12	4.0	3E-1865	128000-9690		IIF		
TRACK-TYPE TRACTOR									
1991-1993	D5C w/ 3046 Eng.	12	4.0	3E-1865	128000-9690		IIF		
1987-1994	D3C w/ 3204 Eng.	12	4.0	3E-1865	128000-9690		IIF		
1987-1993	D4C w/ 3204 Eng.	12	4.0	3E-1865	128000-9690		IIF		
1979-1987	D3B w/ 3204 Eng.	12	4.0	3E-1865	128000-9690		IIF		
1973-1979	D3 w/ 3204 Eng.	12	4.0	3E-1865	128000-9690		IIF		
TRACTOR									
1985-1987	D3B-SA w/ 3204 Eng.	12	4.0	3E-1865	128000-9690		IIF		
WHEEL LOADER									
1979-1989	910 w/ 3204 Eng.	12	4.0	3E-1865	128000-9690		IIF		
1992	Perkins P600	12	2.7	143-0538	228000-1351		R	9722809-135	
1992	Perkins P600	12	2.7	3E-7905	228000-1351		R	9722809-135	
1992	Perkins 1000	12	2.7	143-0539	228000-1422		R	9722809-142	



YEAR	ENGINE	VOLTS	kW	OEM PART NUMBER	NEW PART NUMBER	SOLENOID ANGLE	TYPE	REMAN PART NUMBER	APPLICATION INFORMATION
CATERPILLAR (continued)									
1992	Perkins 3054	12	2.7	143-0539	228000-1422		R	9722809-142	
1993	3304	24	8.0	6V-5226	228000-1500		IIF		
1992	Perkins 1000	24	4.5	143-0541	228000-1832		R	9722809-183	
1994	3114	12	3.0	111-9860	228000-4221		R		
1994	3114	24	5.5	111-9861	228000-4230		R		
BLUEBIRD									
1996	3116	12	4.0		228000-5851		R	280-8019	
1996	3126	12	4.0		228000-5851		R	280-8019	
FREIGHTLINER CHASSIS									
1996-Up	3116	12	4.0		228000-5851		R	280-8019	
1996-Up	3126	12	4.0		228000-5851		R	280-8019	
OTTAWA									
1996	3116	12	4.0		228000-5851		R	280-8019	
1996	3126	12	4.0		228000-5851		R	280-8019	
THOMAS BUILT									
1996	3116	12	4.0		228000-5851		R	280-8019	
1996	3126	12	4.0		228000-5851		R	280-8019	
1996	3126	12	4.0		228000-7121		R	280-8004	
THOMAS BUILT									
1998	Perkins 704-30	12	2.5	144-9955	228000-7500		R		
1997	Perkins 103-10	12	1.2	160-4648	228000-7520		RA		
1998	Perkins 104-22	12	2.2	155-9849	228000-8450		R		
CHEVROLET TOPKICK									
	3126	12	4.0		228000-9750		R	280-8012	
GMC KODIAK									
	3126	12	4.0		228000-9750		R	280-8012	
THOMAS BUILT									
1996	3116	12	4.0		428000-1610		R		Dry Clutch
1996	3126	12	4.0		428000-1610		R		Dry Clutch
CRAWL DOZER									
1986-1991	D4E (3304)	24	8.0	1993804, 1993815, 1990359	LAY42800-0060	308	P		
1986-1991	D5B (3306)	24	8.0	1993804, 1993815, 1990359	LAY42800-0060	308	P		
1986-1991	D5H w/ 3304	24	8.0	1993804, 1993815, 1990359	LAY42800-0060	308	P		
1986-1991	Eng. D6D (3306)	24	8.0	1993804, 1993815, 1990359	LAY42800-0060	308	P		
1986-1991	D6H w/ 3306 Eng.	24	8.0	1993804, 1993815, 1990359	LAY42800-0060	308	P		
1986-1991	D7G/D7H (3306)	24	8.0	1993804, 1993815, 1990359	LAY42800-0060	308	P		
EXCAVATOR									
1986-1991	225B/BLC	24	8.0	1993804	LAY42800-0060	308	P		
1986-1991	227	24	8.0	1993804	LAY42800-0060	308	P		
1986-1991	229 (3208)	24	8.0	1993804	LAY42800-0060	308	P		
1986-1991	235B/BME	24	8.0	1993804	LAY42800-0060	308	P		

STARTER APPLICATIONS



YEAR	ENGINE	VOLTS	KW	OEM PART NUMBER	NEW PART NUMBER	SOLENOID ANGLE	TYPE	REMAN PART NUMBER	APPLICATION INFORMATION
CATERPILLAR (continued)									
EXCAVATOR (continued)									
1985	3306	24	8.0	1990359	LAY42800-0060	308	P		
MOTOR GRADER									
1986-1991	12G	24	8.0	1993802, 1993815	LAY42800-0060	82	P		
1986-1991	14G	24	8.0	1993802, 1993815	LAY42800-0060	82	P		
1986-1991	140G (3306/T)	24	8.0	1993802, 1993815	LAY42800-0060	82	P		
1986-1991	16G (3406/T)	24	8.0	1993802, 1993815	LAY42800-0060	82	P		
1986-1991	120G	24	8.0	1993802, 1993815	LAY42800-0060	82	P		
1986-1991	130G (3304/T)	24	8.0	1993802, 1993815	LAY42800-0060	82	P		
PIPELAYER									
1986-1991	561D (3306)	24	8.0	1990359	LAY42800-0060		P		
1986-1991	571G	24	8.0	1990359	LAY42800-0060		P		
1986-1991	572G (3306/T)	24	8.0	1990359	LAY42800-0060		P		
1985	571G	24	8.0	1990359	LAY42800-0060	308	P		
1985	572G	24	8.0	1990359	LAY42800-0060	308	P		
SKIDDER									
1986-1991	508	24	8.0	1193804, 1993815	LAY42800-0060	308	P		
1986-1991	518 w/ 3204 Eng.	24	8.0	1193804, 1993815	LAY42800-0060	308	P		
1986-1991	518 w/ 3304 Eng.	24	8.0	1193804, 1993815	LAY42800-0060	308	P		
1986-1991	528 w/ 3306 Eng.	24	8.0	1193804, 1993815	LAY42800-0060	308	P		
1985	3304	24	8.0	1990359	LAY42800-0060	308	P		
1985	3306	24	8.0	1990359	LAY42800-0060	308	P		
TRACK LOADER/WHEEL LOADER									
1985	3304	24	8.0	1990359	LAY42800-0060	308	P		
1985	3306	24	8.0	1990359	LAY42800-0060	308	P		
TRACK-TYPE TRACTOR									
1987-1988	D4E	24	8.0	1190359, 1993815, 1993804	LAY42800-0060	308	P		
1987-1988	D5B	24	8.0	1190359, 1993815, 1993804	LAY42800-0060	308	P		
1987-1988	D5H	24	8.0	1190359, 1993815, 1993804	LAY42800-0060	308	P		
1987-1988	D6D	24	8.0	1190359, 1993815, 1993804	LAY42800-0060	308	P		
1987-1988	D6H	24	8.0	1190359, 1993815, 1993804	LAY42800-0060	308	P		
1985-1986	3304	24	8.0	1990359	LAY42800-0060	308	P		
1985-1986	3306	24	8.0	1990359	LAY42800-0060	308	P		
WHEEL DOZER/COMPACTOR									
1986-1991	508	24	8.0	1993804, 1993808, 1993815	LAY42800-0060	308	P		
1986-1991	518 w/ 3204 Eng.	24	8.0	1993804, 1993808, 1993815	LAY42800-0060	308	P		
1986-1991	518 w/ 3304 Eng.	24	8.0	1993804, 1993808, 1993815	LAY42800-0060	308	P		
1986-1991	528 w/ 3306 Eng.	24	8.0	1993804, 1993808, 1993815	LAY42800-0060	308	P		
1986-1991	3200(3208)	24	8.0	1993804, 1993808, 1993815	LAY42800-0060	308	P		
1986-1991	3300 (3304)	24	8.0	1993804, 1993808, 1993815	LAY42800-0060	308	P		
1986-1991	3300 (3306)	24	8.0	1993804, 1993808, 1993815	LAY42800-0060	308	P		



YEAR	ENGINE	VOLTS	KW	OEM PART NUMBER	NEW PART NUMBER	SOLENOID ANGLE	TYPE	REMAN PART NUMBER	APPLICATION INFORMATION
CATERPILLAR (continued)									
WHEEL DOZER/COMPACTOR (continued)									
1986-1991	814B, 815B, 816B (3306/T)	24	8.0	1993804	LAY42800-0060	308	P		
1985	3306	24	8.0	1990359	LAY42800-0060	308	P		
WHEEL TRACTOR									
1986-1991	613C (3208)	24	8.0	1993804, 1993814	LAY42800-0060	308	P		
1986-1991	615 (3306/TA)	24	8.0	1993804, 1993814	LAY42800-0060	308	P		
1986-1991	627E	24	8.0	1993804, 1993814	LAY42800-0060	308	P		
1986-1991	637E-Back (3306)	24	8.0	1993804, 1993814	LAY42800-0060	308	P		
1986-1991	936	24	8.0	1993804, 1993815	LAY42800-0060	308	P		
1986-1991	950B	24	8.0	1993804, 1993815	LAY42800-0060	308	P		
1986-1991	963 (3304/T)	24	8.0	1993804, 1993815	LAY42800-0060	308	P		
1986-1991	966D	24	8.0	1993804, 1993815	LAY42800-0060	308	P		
1986-1991	973 (3306/T)	24	8.0	1993804, 1993815	LAY42800-0060	308	P		
1987-1988	3412	24	8.0	1993802, 1993805	LAY42800-0070	82	P		
1987-1988	3406	24	8.0	1993805	LAY42800-0070	82	P		
1987-1988	3408	24	8.0	1993805	LAY42800-0070	82	P		
1987-1988	3508	24	8.0	1993810	LAY42800-0070	82	P		
1987-1988	3511	24	8.0	1993810	LAY42800-0070	82	P		
1987-1988	3512	24	8.0	1993810	LAY42800-0070	82	P		
1986-1991	3400	24	8.0	1993802, 1993805	LAY42800-0070	82	P		
1986-1991	3406	24	8.0	1993802, 1993805	LAY42800-0070	82	P		
1986-1991	3408	24	8.0	1993802, 1993805	LAY42800-0070	82	P		
1986-1991	3412	24	8.0	1993802, 1993805	LAY42800-0070	82	P		
1986-1991	3500	24	8.0	1993810	LAY42800-0070	82	P		
1986-1991	3508	24	8.0	1993810	LAY42800-0070	82	P		
1986-1991	3512	24	8.0	1993810	LAY42800-0070	82	P		
1986-1991	3516	24	8.0	1993810	LAY42800-0070	82	P		
1986-1991	980C (3406 Engine)	24	8.0	1993802	LAY42800-0070	82	P		
1982-1985	3406 Wheel Loader	24	8.0	1114964	LAY42800-0070	308	P		
1974	3406	24	8.0	1113887	LAY42800-0070	308	P		
CRAWL DOZER									
1986-1991	D8N w/ 3406 Eng.	24	8.0	1993802	LAY42800-0070	82	P		
EXCAVATOR									
1975-1978	245 w/ 3406 Eng.	24	8.0	1114728	LAY42800-0070	308	P		
1985	3406	24	8.0	1990491	LAY42800-0070	88	P		
1979	3406	24	8.0	1114728	LAY42800-0070	308	P		
MOTOR GRADER									
1981-1985	16G	24	8.0	1114964, 1990344	LAY42800-0070	308	P		
1975-1980	3406	24	8.0	1113846, 1114964	LAY42800-0070	308	P		
OFF-HWY TRACTOR									
1975-1979	D348	24	8.0	1114737	LAY42800-0070	308	P		

STARTER APPLICATIONS



YEAR	ENGINE	VOLTS	KW	OEM PART NUMBER	NEW PART NUMBER	SOLENOID ANGLE	TYPE	REMAN PART NUMBER	APPLICATION INFORMATION
CATERPILLAR (continued)									
OFF-HWY TRACTOR/COAL HAULER									
1982-1984	776	24	8.0	1114963	LAY42800-0070	308	P		
1982-1984	777	24	8.0	1114963	LAY42800-0070	308	P		
1981	D348	24	8.0	1114963	LAY42800-0070	308	P		
1980	776	24	8.0	1113824	LAY42800-0070	308	P		
1980	777	24	8.0	1113824	LAY42800-0070	308	P		
TRACK-TYPE TRACTOR									
1987-1988	D8N w/ 3406 Eng.	24	8.0	1993802	LAY42800-0070	82	P		
WHEEL DOZER/COMPACTOR									
1986-1991	824C (3406/T)	24	8.0	1993802	LAY42800-0070	82	P		
1986-1991	825C (3406/T)	24	8.0	1993802	LAY42800-0070	82	P		
1986-1991	826C (3406/T)	24	8.0	1993802	LAY42800-0070	82	P		
1978-1981	3406	24	8.0	1113846, 1114964	LAY42800-0070	308	P		
1985	3406	24	8.0	1990344	LAY42800-0070	38	P		
WHEEL TRACTOR									
1986-1991	621E w/ 3406 Eng.	24	8.0	1993802	LAY42800-0070	82	P		
1986-1991	623E w/ 3406 Eng.	24	8.0	1993802	LAY42800-0070	82	P		
1975-1985	3406	24	8.0	1114964, 1990344	LAY42800-0070	308	P		
1995-2000	4G64	12	1.2	MD318086, MD318086D			PMGR	280-9018	Available in Reman Only
1995-2000	4G63, 4G64, 4G15	12	1.2	MD320618			PMGR	280-9015	Available in Reman Only
D3 DOZER									
1994	3406	12	3.0	1053133, 10R-0754	228000-3701		R	9722809-370	
WHEEL LOADER 928									
2001-	928	24	7.5	234-2637	428000-2370		R		
CHAMPION									
MOTOR GRADERS									
1992-Up	710 Series III Models	12	3.0	3911343	128000-4220		R	9712809-422	Fwd to 228000-3311
1992-Up	710A Series III Models	12	3.0	3911343	128000-4220		R	9712809-422	Fwd to 228000-3311
1992-Up	716 Series III Models	12	3.0	3911343	128000-4220		R	9712809-422	Fwd to 228000-3311
1992-Up	716A Series III Models	12	3.0	3911343	128000-4220		R	9712809-422	Fwd to 228000-3311
CHEVROLET									
CORVETTE									
1988-1991	V8 5.7L	12	1.4	1998578	128000-4951		IIR		
1988-1991	V8 5.7L	12	1.4	10455702	128000-4951		IIR		
1992	V8 5.7L	12	1.4	10455703	128000-8111		RA		



YEAR	ENGINE	VOLTS	kW	OEM PART NUMBER	NEW PART NUMBER	SOLENOID ANGLE	TYPE	REMAN PART NUMBER	APPLICATION INFORMATION
CHEVROLET (continued)									
ASTRO									
1985-2000	V6 4.3L w/ 2-wheel or 4-wheel drive	12	1.4		281-8000		OSGR		
C20 SUBURBAN									
1985-1986	V8 7.4L w/ 2-wheel or 4-wheel drive	12	1.4		281-8000		OSGR		
C2500 SUBURBAN									
1992-1999	V8 7.4L w/ 2-wheel or 4-wheel drive	12	1.4		281-8000		OSGR		
K20 SUBURBAN									
1985	V8 7.4L w/ 2-wheel or 4-wheel drive	12	1.4		281-8000		OSGR		
K2500 SUBURBAN									
1992-1999	V8 7.4L w/ 2-wheel or 4-wheel drive	12	1.4		281-8000		OSGR		
R20 SUBURBAN									
1987-1988	V8 7.4L w/ 2-wheel or 4-wheel drive	12	1.4		281-8000		OSGR		
R2500 SUBURBAN									
1989-1991	V8 7.4L w/ 2-wheel or 4-wheel drive	12	1.4		281-8000		OSGR		
V20 SUBURBAN									
1987-1988	V8 7.4L w/ 2-wheel or 4-wheel drive	12	1.4		281-8000		OSGR		
V2500 SUBURBAN									
1989-1990	V8 7.4L w/ 2-wheel or 4-wheel drive	12	1.4		281-8000		OSGR		
POSTAL CHASSIS									
	GM 2.2L	12	1.4		428000-1820		RA		
BLAZER									
1996-1998	V6 4.3L	12	1.4	10465167	281-8002		OSGR		
TAHOE									
1995-1997	V8 5.7L	12	1.4	10465167	281-8002		OSGR		
1999-2000	V8 5.7L	12	1.4	10465167	281-8002		OSGR		
BLAZER									
1999-2000	V6 4.3L	12	1.4	10465462	281-8002		OSGR		
S,T SERIES PICKUP									
1996-1998	V6 4.3L	12	1.4	10465167	281-8002		OSGR		
ASTRO									
1997-1998	V6 4.3L	12	1.4	10465167	281-8002		OSGR		
1999-2000	V6 4.3L	12	1.4	10465462	281-8002		OSGR		
AVALANCHE									
2004-2007		12	1.6	12567709			RA	280-0337	

STARTER APPLICATIONS



YEAR	ENGINE	VOLTS	KW	OEM PART NUMBER	NEW PART NUMBER	SOLENOID ANGLE	TYPE	REMAN PART NUMBER	APPLICATION INFORMATION
CHEVROLET (continued)									
SILVERADO									
2004-2007		12	1.6	12567709			RA	280-0337	
TOPKICK									
1999-2002	CAT 3126	12	4.0		228000-9750		R	280-8012	Mounted on Passenger Side
SUBURBAN									
2004-2007		12	1.6	12567709			RA	280-0337	
TOPKICK									
2001-2007	Isuzu 6HK1-TC 7.8L I6	12	4.0	12596914	228000-9761		R		GMT560
SILVERADO									
2001-2002	6.6L Diesel	12	3.5	97209548, 97720446			OSGR	280-3134	
SILVERADO 2500HD									
2001-2006	6.6L Diesel	12	3.5	97209548, 97720446			OSGR	280-3134	
SILVERADO 3500									
2001-2006	6.6L Diesel	12	3.5	97209548, 97720446			OSGR	280-3134	
CLARK BOBCAT									
LOADER									
	John Deere	12	2.5	6632415	028000-8400		R	9702809-840	Replaced by 228000-6471
CLARK EQUIPMENT									
1979-1986	Cummins 855	24	8.0	1990378	LAY42800-0070	38	P		
1979-1984	8V-71N	24	8.0	1114854	LAY42800-0070	308	P		
1970-1978	280-111A w/ 8V-71N	24	8.0	1113824, 1113850	LAY42800-0070	308	P		
1970-1978	210-111H w/NTA 855C	24	8.0	1113824, 1113850	LAY42800-0070	308	P		
1970-1974	280-111 w/ Cummins NT 855C	24	8.0	1113824, 1113850	LAY42800-0070	308	P		
1970-1974	110-111H w/ 6V-71N	24	8.0	1113824, 1113850	LAY42800-0070	308	P		
1970	CT464C	24	8.0	1113876	LAY42800-0070	308	P		
LG. TRACT. SHOVEL									
1981-1986	855	24	8.0	1114935	LAY42800-0070	308	P		
1981-1984	4-71N	24	8.0	1114854	LAY42800-0070	308	P		
1981-1984	6V-71N	24	8.0	1114854	LAY42800-0070	308	P		
1981-1984	VT-455	24	8.0	1114854	LAY42800-0070	308	P		
1981-1984	VT-555	24	8.0	1114854	LAY42800-0070	308	P		
1981-1984	8V-71N	24	8.0	1114854	LAY42800-0070	308	P		
1979-1980	8V-71N	24	8.0	1113824, 1113850	LAY42800-0070	308	P		
1979-1980	855	24	8.0	1113824, 1113850	LAY42800-0070	308	P		
1973-1977	125 w/ 6V-71	24	8.0	1113824, 1113850	LAY42800-0070	308	P		
1973-1977	125B w/ Cummins VT-555	24	8.0	1113824, 1113850	LAY42800-0070	308	P		
1973-1977	175B w/ 8V-71N	24	8.0	1113824, 1113850	LAY42800-0070	308	P		



YEAR	ENGINE	VOLTS	kW	OEM PART NUMBER	NEW PART NUMBER	SOLENOID ANGLE	TYPE	REMAN PART NUMBER	APPLICATION INFORMATION
CLARK EQUIPMENT (continued)									
LG. TRACT. SHOVEL (continued)									
1973-1974	85C-111A w/ Cummins N855-C250	24	8.0	1113872	LAY42800-0070	308	P		
1970-1977	275 w/ Cummins NTA-855C	24	8.0	1113850	LAY42800-0070	308	P		
1970-1973	175-111	24	8.0	1113824, 1113850	LAY42800-0070	308	P		
1970-1973	IV w/ 8V-71	24	8.0	1113824, 1113850	LAY42800-0070	308	P		
1970-1973	8V71N	24	8.0	1113824, 1113850	LAY42800-0070	308	P		
1970-1973	175-111 w/N855C	24	8.0	1113824, 1113850	LAY42800-0070	308	P		
1970-1973	275-111	24	8.0	1113824, 1113850	LAY42800-0070	308	P		
1970-1973	IV w/ NT855C	24	8.0	1113824, 1113850	LAY42800-0070	308	P		
SM. TRACT. SHOVEL									
1979-1980	DDAD 75C	24	8.0	1113824, 1113850	LAY42800-0070	308	P		
1979-1980	DDAD 125C	24	8.0	1113824, 1113850	LAY42800-0070	308	P		
1979-1980	Cummins 125C	24	8.0	1113824, 1113850	LAY42800-0070	308	P		
1975-1978	75B w/ GM 4-71N	24	8.0	1113824	LAY42800-0070	308	P		
CLARK FORKLIFT									
TM13									
1985	Teledyne 2.7L	12	1.4	TMD13M-502	128000-2970		IIR	280-7032	
1986	Teledyne 2.7L Diesel	12	2.5	TMD27M-506	128000-3032		R	280-7047	
CLARKE									
2000-	VM	12	2.5	C07628	228000-6051				
2000-	MOTORI-704/706								
2000-	JOHN DEERE 8.1L	12	4.0	C07825	228000-6532				
2000-	JOHN DEERE	12	4.0	C07837	228000-6552				
2000-	6.8L-350 SERIES								
2000-	JOHN DEERE 4.5L	12	2.7	C07889	428000-2160				
2000-	JOHN DEERE 4.5L	12	2.7	C07888	428000-2170				
1995-2000	4G63, 4G64, 4G15	12	1.2	MD320618			PMGR	280-9015	Available in Reman Only
1986-Up	4G33, 4G63, 6G72	12	1.2	MD171228, MD320618D			OSGR	280-9016	Available in Reman Only
2000-	JOHN DEERE 4.5L, 6.8L	24	7.5	C07819	428000-3690				
2000-	JOHN DEERE 4.5L, 6.8L, 8.1L	24	7.5	C07820	428000-3900				
FIRE PUMP									
2000-	JOHN DEERE 4.5L, 6.8L	24	7.5	C07819	428000-3690		R		
2000-	JOHN DEERE 4.5L, 6.8L, 8.1L	24	7.5	C07820	428000-3900		R		

STARTER APPLICATIONS



YEAR	ENGINE	VOLTS	KW	OEM PART NUMBER	NEW PART NUMBER	SOLENOID ANGLE	TYPE	REMAN PART NUMBER	APPLICATION INFORMATION
CLARKE DETROIT DIESEL ALLISON									
FIRE PUMP									
1996-Up	VM Motori 704	12	2.5	C07628	228000-6051		R		
1996-Up	VM Motori 706	12	2.5	C07628	228000-6051		R		
CONSOLIDATED DIESEL									
1991-1992	6C-8.3l Engine	24	8.0	1993796	LAY42800-0060		P		
CUB CADET									
TRACTOR									
	Kohler 12.5, 13, 13.5, 15, 16, 17, 18, 20, 22 & 23 hp gas	12	0.6	24-098-01	228000-2640			9722809-264	
CUMMINS									
1984	4BT1 3.9L	12	2.5	3904466	128000-0545		R	9712809-021	
1984	4BT1 3.9L	12	2.5	3904466	128000-0545		R	9712809-021	
1984	4BT1 3.9L	12	2.5	3904466	128000-0545		R	9712809-021	
1986	B Series 5.9L	12	3.0	3911343	128000-4220		R	9712809-422	Fwd to 228000-3311
1986	CDC 5.9L	12	3.0	3911343	128000-4220		R	9712809-422	Fwd to 228000-3311
1987-Up	B Series 5.9L	12	3.0	3912084	128000-4911		R	9712809-491	
1984-Up	B Series 5.9L	12	2.5	3920403	128000-9503		R	9712809-950	
1984-Up	B Series 5.9L	12	2.5	3920403	128000-9503		R	9712809-950	
1990	B Series 3.9L	12	2.5	3920403	128000-9503		R	9712809-950	
1990	B Series 3.9L	12	2.5	3920403	128000-9503		R	9712809-950	
1990	C Series 8.3L	12	4.0	3920328	128000-9801		R		Replaced by 228000-6511
1990-Up	C Series 8.3L	12	4.0	3921012	128000-9810		R	280-8002	Replaced by 228000-5311
1990-Up	C Series 8.3L	24	7.5	3920329	128000-9821		R		Replaced by 228000-5631
1990	CDC 5.9L	12	2.7	3920643	228000-0622		R		Replaced by 228000-1953, Wet Clutch
1990-1991	B Series 5.9L	24	4.5	3920644	228000-0631		R	9722809-667	Replaced by 228000-6671
1992-1994	B Series 5.9L	24	4.5	3922474	228000-1752		R		Replaced by 228000-6641
1992	CDC 5.9L	24	4.5	3922474	228000-1752		R		Replaced by 228000-6641
1990	8.3L	12	4.0	3921012	228000-1940		IIF	280-8002	Replaced by 228000-5311
1990	CDC 5.9L	12	2.7	3920643	228000-1953		R	280-8000	Wet Clutch
2000	ISB-00 3.9L	12	2.7		228000-1953			280-8000	
1993	B Series 5.9L	24	5.5	3924466	228000-2201		R		
1993	CDC 5.9L	24	5.5	3924466	228000-2201		R		
1993-Up	B Series 3.9L	12	2.7	3921682	228000-2292		R	9722809-229	Replaced by 428000-1190
1993	B Series 5.9L	12	2.7	3921682	228000-2292		R	9722809-229	Replaced by 428000-1190
1993	6B CDC 5.9L	12	3.0	3925045	228000-2671		R		
OTTAWA YARD TRACTOR									
1993	MT643 6B 5.9L	12	3.0	3925045	228000-2671		R		
1986	5.9L	12	3.0	3911343	228000-3311		R		
OTTAWA YARD TRACTOR									
1993	MT643 6B 5.9L	12	3.0	3925045	228000-3321		R		Same as 228000-2670
1994	B Series 5.9L	12	2.7	1760065	228000-3811		R		
		12	2.7	3957587	228000-4662		R		Dry Clutch



YEAR	ENGINE	VOLTS	kW	OEM PART NUMBER	NEW PART NUMBER	SOLENOID ANGLE	TYPE	REMAN PART NUMBER	APPLICATION INFORMATION
CUMMINS (continued)									
KOMATSU DOZER									
1994	4B	12	2.7	1308066H91 (Komatsu)	228000-4671		R	280-8001	
1994	6B	12	2.7	1308066H91 (Komatsu)	228000-4671		R		
KOMATSU									
1995	5.9L	24	5.5	3282626	228000-5052		R	9722809-500	Replaced by 228000-5003
KUBOTA									
1994	D722	12	1.0	16883-63011 (Kubota)	228000-5080		R		
BLUEBIRD									
1990	8.3L	12	4.0	3921012	228000-5311		R	280-8002	Dry Clutch & Ground Stud
EL DORADO									
1997-up	ISC	12	4.0	3921012	228000-5311		R	280-8002	Dry Clutch & Ground Stud
THOMAS BUILT									
1996-Up	ISC	12	4.0	61230712	228000-5311		R	280-8002	Dry Clutch & Ground Stud
JI CASE									
1996	8.3L	12	4.0	193432A1 (Case)	228000-5603		R		Wet Clutch
1996	8.3L	12	4.8	223900A1	228000-5612		R		Replaced by PN 228000-7381
OTTAWA									
1996	8.3L	12	4.0	3283813	228000-5622		R		
1990-Up	C Series 8.3L	24	7.5	3920329	228000-5631		R		
1996	8.3L	24	7.5	3283814	228000-5631		R		Wet Clutch
1996	8.3L	12	4.0	3283815	228000-5902		R		
OTTAWA									
1996-Up	8.3L	12	4.0		228000-6511		R		Wet Clutch
THOMAS BUILT									
1997	5.9L	24	4.5	3922474	228000-6641		R	9722809-664	Same as 228000-1751
1990-1991	B Series 5.9L	24	4.5	3920644	228000-6671		R	9722809-667	Wet Clutch
1997	5.9L	24	4.5	3920644	228000-6671		R	9722809-667	Wet Clutch
THOMAS BUILT									
1997	ISB	12	3.0	61230711	228000-7280		R		Dry Clutch & Ground Stud
1997	ISB	12	3.0	61230710	228000-7291		R		Dry Clutch & Ground Stud
BLUEBIRD									
1997-Up	ISB	12	2.7	1967561	228000-7301		R	280-8005	Dry Clutch & Ground Stud
THOMAS BUILT									
1997	ISB	12	2.7	61230709	228000-7301		R	280-8005	Dry Clutch & Ground Stud
OTTAWA									
	6B	12	2.7		228000-7342		R		
OTTAWA									
1997	8.3L	24	7.5		228000-7381		R	280-8006	Wet Clutch
THOMAS BUILT									
1999	ISB	12	2.7		228000-9100		R	280-8018	Replaced by 428000-1600
2000	B Series 5.9L	12	2.7		428000-0191		R		

STARTER APPLICATIONS



YEAR	ENGINE	VOLTS	KW	OEM PART NUMBER	NEW PART NUMBER	SOLENOID ANGLE	TYPE	REMAN PART NUMBER	APPLICATION INFORMATION
CUMMINS (continued)									
2002-2006	Cummins 6B/Dodge Ram 5.9L	12	2.7	4090084	428000-1190		R		Replaced by 428000-5940
1999	Cummins ISB, 5.9L	12	2.7		428000-1600		R	280-8018	Dry Clutch
2000	Cummins ISB, 5.9L	12	2.7		428000-1600		R	280-8018	Dry Clutch
2003	B Series 5.9L	12	2.7	3964427	428000-1850		R		Dry Clutch Dry Clutch
		12	2.7	3964428	428000-1860		R		
		12	2.7	3971615	428000-2920		R		
1991-1992	L10 Engines	24	8.0	1990344, 1990378	LAY42800-0070	38	P		
1991-1992	N14 Engines	24	8.0	1990344, 1990378	LAY42800-0070	38	P		
1991-1992	V903 Engine	24	8.0	1990378	LAY42800-0070	38	P		
1985	L10 Series w/ 10.01 Engine	24	8.0	1114873	LAY42800-0070	308	P		
1985	L10 Series w/ 14.01 Engine	24	8.0	1114951, 1990456	LAY42800-0070	308	P		
1985	V Series w/ 9.11 Engine (Std.)	24	8.0	1114935	LAY42800-0070	308	P		
CUMMINS ENGINE									
2004-	Cummins 6B (Wet)	12	2.7	3971610	428000-2870		R		
2004-	Cummins 6B (Dry)	12	4.0	3971611	428000-2880		R		
TRUCK									
2004-	Cummins 6B (Dry)	12	2.7	3971614	428000-2910		R		
2006-	QSB 6.7L Tier III	24	7.5	4934036	428000-5220		R		
2002-2006	Cummins ISB	12	2.7	4090084	428000-5940		R		
DODGE RAM 5.9L									
2002-2006	Cummins ISB	12	2.7	4090084	428000-5940		R		
1987-1988	6C8.3	24	8.0	1993796	LAY42800-0060		P		
1987-1988	6CT8.3	24	8.0	1993796	LAY42800-0060		P		
1987-1988	6CTA8.3 (Opt.)	24	8.0	1993796	LAY42800-0060		P		
EXCAVATOR									
	QSB	24	4.5	3957593	228000-7902		R		
1985	C Series Opt	24	8.0	1990455	LAY42800-0060		P		
1985	V Series w/8.3	24	8.0	1990357	LAY42800-0060		P		
1985	V Series w/ 9.11 Engine (Opt.)	24	8.0	1990357	LAY42800-0060		P		
2002-	Cummins ISC	24	7.5	3957597	428000-1340		R		
DODGE RAM 6.7L									
2007 -	Cummins ISB 07	12	3.0	4934925	428000-6110		PA90S		Replaces 428000-3330
2007 -	Cummins ISB 07	12	3.0	4934925	428000-3330		PA90S		Fwd to 428000-6110



YEAR	ENGINE	VOLTS	kW	OEM PART NUMBER	NEW PART NUMBER	SOLENOID ANGLE	TYPE	REMAN PART NUMBER	APPLICATION INFORMATION
DAEWOO									
		24	7.5	65.26201-7050	228000-6562		R	280-7064	
DETROIT DIESEL									
1996	VM Motori 3.8	12	2.5	23519695	228000-6231		R		
1991-1992	3-71 Engine	24	8.0	1990437	LAY42800-0070	38	P		
1991-1992	4-71 Engine	24	8.0	1990437	LAY42800-0070	38	P		
1991-1992	6-71 Engine	24	8.0	1990437	LAY42800-0070	38	P		
1991-1992	6V-53 (Opt.)	24	8.0	1990344	LAY42800-0070	38	P		
1988-1990	6V71	24	8.0	1990344	LAY42800-0070	38	P		
1988-1990	3-71 Engine	24	8.0	1990437	LAY42800-0070	38	P		
1988-1990	4-71 Engine	24	8.0	1990437	LAY42800-0070	38	P		
1988-1990	6-71 Engine	24	8.0	1990437	LAY42800-0070	38	P		
1988-1990	6V92 (Std.)	24	8.0	1990344	LAY42800-0070	38	P		
DODGE									
RAM D250 & D350									
1989-1993	5.9L Cummins Diesel	12	3.0	4741012	128000-4911		R	9712809-491	
RAM P.U.									
1989-1993	5.9L Cummins Diesel	12	3.0	3912084 (Cummins)	128000-4911		R	9712809-491	
RAM 2500 & 3500									
1994-2002	Cummins 4B 3	12	2.7	4741012	228000-2290		R	9722809-229	
1994-2002	Cummins 6B T-300	12	2.7	4741012	228000-2290		R	9722809-229	
RAM 5.9L									
2003-2006	Cummins ISB	12	2.7	4090084	428000-5940		R		Replaces 428000-1190
RAM 2500 & 3500									
2007 -	Cummins ISB 07 6.7L	12	3.0	4934925	428000-6110		PA90S		Replaces 428000-3330
2007 -	Cummins ISB 07 6.7L	12	3.0	4934925	428000-3330		PA90S		Fwd to 428000-6110
DUNAIR									
1985	320T	12	0.6		028000-9282		B		
EL DORADO									
ESCORT RE									
1993-1997	6B MT643	12	2.7	3920643	228000-1953		R	280-8000	Wet Clutch
1994-2000	Cummins 6B	12	2.7		228000-1953		R	280-8000	Wet Clutch
1994	Cummins 6B CNG	12	2.7		228000-3811		R		Dry Clutch
1995-Up	Cummins ISC	12	4.0	3921012	228000-5311		R	280-8002	Dry Clutch & Ground Stud
ELGIN									
1987	J. Deere 4276	12	2.5	RE 19275 (J. Deere)	028000-8400		R	9702809-840	Replaced by 228000-6471

STARTER APPLICATIONS



YEAR	ENGINE	VOLTS	KW	OEM PART NUMBER	NEW PART NUMBER	SOLENOID ANGLE	TYPE	REMAN PART NUMBER	APPLICATION INFORMATION
EUCLID									
1969-1970	Detroit Diesel 6-71	24	8.0	1113851	LAY42800-0070	308	P		
1964-1966	Detroit Diesel Engines - 6-71(Opt.)	24	8.0	1113824	LAY42800-0070	308	P		
1971	201, 203 FD	24	8.0	1113851	LAY42800-0070	308	P		
5LLD									
1965-1966	Detroit Diesel Engines	24	8.0	1113842, 1113872	LAY42800-0070	308	P		
1964	Detroit Diesel Engines	24	8.0	1113842, 1113872	LAY42800-0070	308	P		
1963	Detroit Diesel Engines	24	8.0	1113842	LAY42800-0070	308	P		
69TD									
1963	Detroit Diesel Engines	24	8.0	1113842	LAY42800-0070	308	P		
6LLD									
1964	Cummins Eng.	24	8.0	1113842, 1113851	LAY42800-0070	308	P		
1963	Cummins Eng.	24	8.0	1113842, 1113851	LAY42800-0070	308	P		
6LLE									
1965-1966	Cummins Eng.	24	8.0	1113842, 1113851	LAY42800-0070	308	P		
70TD									
1965-1966	Cummins Eng.	24	8.0	1113842, 1113851	LAY42800-0070	308	P		
1964	Cummins Eng.	24	8.0	1113842, 1113851	LAY42800-0070	308	P		
1963	Cummins Eng.	24	8.0	1113842, 1113851	LAY42800-0070	308	P		
96FD									
1964	Cummins Eng.	24	8.0	1113842, 1113851	LAY42800-0070	308	P		
96FD/98FD									
1965-1966	Cummins Eng.	24	8.0	1113842, 1113851	LAY42800-0070	308	P		
94FD/96FD									
1963	Cummins Eng.	24	8.0	1113842, 1113851	LAY42800-0070	308	P		
FIAT-ALLIS									
CRAWLER									
1984-85	FD-10C	24	8.0	1990453	LAY42800-0060		P		
1984-85	FD-11C	24	8.0	1990453	LAY42800-0060		P		
GRADER									
1984-85	FG85	24	8.0	1990453	LAY42800-0060		P		
1984-85	FG95	24	8.0	1990453	LAY42800-0060		P		
LOADER									
1984-85	FR15	24	8.0	1990453	LAY42800-0060		P		
CRAWLER									
1979-1985	F14C	24	8.0	1114850, 1990382	LAY42800-0070	308	P		
1979-1985	FL14C	24	8.0	1114850, 1990382	LAY42800-0070	308	P		
1979-1982	6DD/PS	24	8.0	1113898	LAY42800-0070	308	P		
1974-1978	HD-16DD/PS	24	8.0	1113898	LAY42800-0070	308	P		
1974-1978	HD-21	24	8.0	1113898	LAY42800-0070	308	P		



YEAR	ENGINE	VOLTS	kW	OEM PART NUMBER	NEW PART NUMBER	SOLENOID ANGLE	TYPE	REMAN PART NUMBER	APPLICATION INFORMATION
FIAT-ALLIS (continued)									
CRAWLER (continued)									
1974-1977	HD-11DD/PS	24	8.0	1113900	LAY42800-0070	308	P		
1986	FD	24	8.0	1114850	LAY42800-0070	308	P		
1986	FL	24	8.0	1114850	LAY42800-0070	308	P		
1986	14D	24	8.0	1114850	LAY42800-0070	308	P		
GRADER									
1979-1980	All w/ 11000 Diesel	24	8.0	1113900	LAY42800-0070	308	P		
LOADER									
1977-1978	745 Series B w/ AC11000	24	8.0	1113824	LAY42800-0070	308	P		
1976-1978	945 Loader w/ 25000 Series	24	8.0	1113898	LAY42800-0070	308	P		
1974-1978	645 Series B w/ AC3500 Diesel	24	8.0	1113849	LAY42800-0070	308	P		
1974-1976	745 Series B a/AC 11000 Diesel	24	8.0	1113849	LAY42800-0070	308	P		
1974-1975	945 Loader w/ 2500 Series	24	8.0	1114727	LAY42800-0070	308	P		
1981	FR15 w/ AC3500	24	8.0	1114850	LAY42800-0070	308	P		
1980	FR15 w/ 25000 Series Engine	24	8.0	1113898	LAY42800-0070	308	P		
1979	FR15 w/ 25000	24	8.0	1113824, 1113898	LAY42800-0070	308	P		
1979	FR15 w/ AC35000	24	8.0	1113824, 1113898	LAY42800-0070	308	P		
1979	FR15 w/ AC11000	24	8.0	1113824, 1113898	LAY42800-0070	308	P		
1974	7G Series B Loader w/ 3500 Series	24	8.0	1113898	LAY42800-0070	308	P		
SCRAPER									
1983-1985	260-261 Series B	24	8.0	1114851	LAY42800-0070	308	P		
1974-1982	All w/ 25000 Diesel	24	8.0	1113926, 1114851	LAY42800-0070	308	P		
FORD									
TRACTORS									
1982-1979	1300 w/ 2 Cyl. Dies. Eng.	12	1.4	SBA1850 86180	028000-6350		R		
1992	V8 - 7l	12	2.0	F4HS-11001-BA	228000-1091		R		
F700									
	Cummins 6B	12	2.7	2585095C91	228000-4160		R		Replaced by 228000-3811
F800									
	Cummins 6B	12	2.7	2585095C91	228000-4160		R		Replaced by 228000-3811
F700									
	Cummins 6B	12	2.7	2585095C91	228000-3811		R		Replaces 228000-4160
F800									
	Cummins 6B	12	2.7	2585095C91	228000-3811		R		Replaces 228000-4160

STARTER APPLICATIONS



YEAR	ENGINE	VOLTS	KW	OEM PART NUMBER	NEW PART NUMBER	SOLENOID ANGLE	TYPE	REMAN PART NUMBER	APPLICATION INFORMATION
FORD (continued)									
LOUISVILLE									
1997	CAT 3126	12	4.0	10479215	228000-5851		R	280-8019	
	I6-300	12	2.0		128000-6501		R		11" Clutch
	I6-300	12	2.0		228000-2192		R		12 & 13" clutch
	6.9L A/T and M/T	12	4.0		228000-8410		R	280-8007	
	7.3L A/T and M/T	12	4.0		228000-8410		R	280-8007	
POWERSTROKE									
1995-2000	7.3l Direct Injection A/T & M/T	12	4.0		228000-8420		R	280-8008	
E SERIES AT									
	Ford 4.9L	12	1.8	2585289C91	228000-8432		RA	280-8009	
	5.8L	12	1.8		228000-8432		RA	280-8009	
GROUND SUPPORT EQUIPMENT									
	Ford 4.9L	12	1.8	2585289C91	228000-8432		RA	280-8009	
F SERIES MT									
	Ford 4.9L MT	12	1.8		228000-8440		RA	280-8010	
LN7000									
1997	CAT 3126	12	4.0		228000-9750		R	280-8012	
LOUISVILLE									
1997	CAT 3126	12	4.0	10479215	428000-1610		R		Dry Clutch
	Ford 4.2L	12	1.8	2585289C91	228000-8432		RA	280-8009	
E-250 ECONOLINE									
1988-1991	7.3L Diesel	12	3.6				OSGR	280-4253	
1988-1994	7.3L Diesel	12	3.6				OSGR	280-4253	
F-250 PICKUP									
1988-1994	7.3L Diesel	12	3.6				OSGR	280-4253	
F-350 PICKUP									
1988-1994	7.3L Diesel	12	3.6				OSGR	280-4253	
FORD TRACTOR									
EARLY 1300 SERIES									
1979-1981	LEK 752 C	12	1.4	SBA 1850 86180	028000-6350		R		
1979-1981	LEK 802 D(2 cyl.)	12	1.4	SBA 1850 86180	028000-6350		R		
LATE 1210 SERIES									
1983	S 732 C (3 cyl.)	12	0.9	SBA 1850 86280	028000-9113		G		
CE14									
1992		12	0.8	92AB-11000-KA	228000-1540		P		

STARTER APPLICATIONS



YEAR	ENGINE	VOLTS	KW	OEM PART NUMBER	NEW PART NUMBER	SOLENOID ANGLE	TYPE	REMAN PART NUMBER	APPLICATION INFORMATION
FREIGHTLINER									
FL-70									
1993	Cummins 6C	12	4.0		228000-1940		IIF		Replaced by 228000-5311
1994-Up	Cummins 6C	12	2.7	NPD 4280001881	228000-1953		R	280-8000	Wet Clutch
1996		12	4.0		228000-5902		R		Wet Clutch
2002-Up	Mercedes 904	12	2.7		428000-0310		R		
2002-Up	Mercedes 906	12	4.0		428000-1881		R		
M2 100									
2000-	MBE 900	12	4.0	NPD 4280001881	428000-1881		R		
M2 106									
2000-	MBE 900	12	4.0	NPD 4280001881	428000-1881		R		
M2 112									
2000-	MBE 900	12	4.0	NPD 4280001881	428000-1881		R		
ALL									
2004-2006	CAT C13	12	5.0	NPD 4280004420	428000-4420		R		
2000-2006	CAT C15	12	5.0	NPD 4280004420	428000-4420		R		
1998-2002	Cummins ISM	12	5.0	NPD 4280004420	428000-4420		R		
1994-1998	Cummins M11	12	5.0	NPD 4280004430	428000-4430		R		
1994-2003	Detroit Series 60	12	5.0	NPD 4280004430	428000-4430		R		When fuel filter is outside frame rail
1999-2002	Cummins ISX	12	5.0	NPD 4280004440	428000-4440		R		
1994-2002	Cummins N14	12	5.0	NPD 4280004440	428000-4440		R		
2002-	MBE 4000	12	5.0		428000-4450		R		
2004-2006	Detroit Series 60	12	5.0	NPD 4280005730	428000-5730		R		When fuel filter is inside frame rail and fuel line is close to the starter
1989-1992	Mid-FLD 112 w/ CAT 3176	24	8.0	1990491	LAY42800-0070	88	P		
1989-1992	Mid-FLD 112 w/ Cummins L-10	24	8.0	1990491	LAY42800-0070	88	P		
1986-1992	6V92	24	8.0	1990491	LAY42800-0070	88	P		
1986-1992	Cummins N14	24	8.0	1990491	LAY42800-0070	88	P		
1986-1992	Cummins 855	24	8.0	1990491	LAY42800-0070	88	P		
1986-1992	CAT 3406	24	8.0	1990491	LAY42800-0070	88	P		
1986-1992	CAT 3176	24	8.0	1990491	LAY42800-0070	88	P		
1986-1992	Conv. & COE-FLD 120	24	8.0	1990344	LAY42800-0070	38	P		
1986-1992	FLA-DDC 11.1	24	8.0	1990344	LAY42800-0070	38	P		
1986-1992	FLA-DDC 12.7L	24	8.0	1990344	LAY42800-0070	38	P		
1986-1992	Cummins L10	24	8.0	1990491	LAY42800-0070	88	P		
1986-1992	Mid-FMC 112-DDC 11.1, 12.7L	24	8.0	1990394	LAY42800-0070		P		
1983-1984	Conventional FLC-3406	24	8.0	1990361	LAY42800-0070	38	P		
1983-1984	Cummins V-903	24	8.0	1114879	LAY42800-0070	308	P		
1979-1981	Cummins V-903	24	8.0	1114879	LAY42800-0070	308	P		
1976-1978	Allis Chalmers	24	8.0	1113892	LAY42800-0070		P		
1976-1978	Cummins	24	8.0	1113965	LAY42800-0070	308	P		

STARTER APPLICATIONS



YEAR	ENGINE	VOLTS	KW	OEM PART NUMBER	NEW PART NUMBER	SOLENOID ANGLE	TYPE	REMAN PART NUMBER	APPLICATION INFORMATION
FREIGHTLINER (continued)									
1976-1978	Detroit Diesel 8V-71	24	8.0	1113965	LAY42800-0070	308	P		
1972-1975	Allis Chalmers	24	8.0	1113892	LAY42800-0070		P		
1972-1975	Cummins	24	8.0	1113965	LAY42800-0070	308	P		
1972-1975	Detroit Diesel 8V-71	24	8.0	1113965	LAY42800-0070	308	P		
1985	CAT 3406	24	8.0	1990361	LAY42800-0070	38	P		
1985	Cummins 855	24	8.0	1990344	LAY42800-0070	38	P		
1985	6V-92	24	8.0	1990344	LAY42800-0070	38	P		
1999-2002	Cummins ISX	12	5.0		428000-5190		R		
FREIGHTLINER CUSTOM CHASSIS									
1995-Up	Cummins 6B	12	2.7		228000-1953		R	280-8000	Wet Clutch
FL70									
1997-Up	CAT 3116	12	4.0	2585347C91	228000-5851		R	280-8019	SAE #2 Housing For Allison MD/MT Wet Clutch
1997-Up	CAT 3126	12	4.0	2585347C91	228000-5851		R	280-8019	SAE #2 Housing For Allison MD/MT Wet Clutch
1999-Up	CAT 3126	12	4.0		228000-7121		R	280-8004	SAE #3 Housing For Allison AT, Wet Clutch
2000-Up	Cummins 6 ISB	12	2.7		228000-9100		R	280-8018	Replaced by 428000-1600
	Cummins 6B	12	2.7	2585259C91	228000-6981		R		
MT55 SERIES									
2002	Cummins ISB, 5.9l	12	2.7		428000-0191		R		Wet Clutch. Replaced by 428000-1600
MT45 SERIES									
2002	Mercedes 904	12	2.7		428000-0310		R		
SCHOOL BUS									
2002	Mercedes 904	12	2.7		428000-0310		R		
MT55 SERIES									
2002	Cummins ISB, 5.9L	12	2.7		428000-1600		R	280-8018	Dry Clutch
FL70									
2002	CAT 3116	12	4.0		428000-1610		R		SAE #2 Housing For Allison MD/MT Dry Clutch
2002	CAT 3126	12	4.0		428000-1610		R		SAE #2 Housing For Allison MD/MT Dry Clutch
SCHOOL BUS									
2002	Mercedes 906	12	4.0		428000-1881		R		
MT55									
2007 -	Cummins ISB	12	3.0	NPD428000-5230	428000-5230		PA90S		
STEP VAN									
2007 -	Cummins ISB 07, 6.7L	12	3.0		428000-5230		PA90S		



YEAR	ENGINE	VOLTS	kW	OEM PART NUMBER	NEW PART NUMBER	SOLENOID ANGLE	TYPE	REMAN PART NUMBER	APPLICATION INFORMATION
FUJI HEAVY INDUSTRIES									
1973	EY33B	12	0.5	208-70502-00	028000-2551		F		Replaced by 128000-3251
1975	EY33D	12	0.5	208-70501-10	028000-4420		F		
1984	EA81	12	1.4	429917500	028000-9800		IIR		
1985	EY44D	12	0.6	209-70502-00	128000-3251		GA		
1986	EY28D	12	0.6	234-70502-00	128000-3540		GA		
PERKINS 4236									
1988	T4.236	12	2.5	9103-3323 (Gradall #)	128000-7042		R		
1989		12	1.4	23300AA231	128000-8322		RA		
GEHL									
SKID STEERS									
1991-Up	SI4625 w/ Kubota Dies. Eng.	12	2.0	16652-63012 (Kubota)	228000-0691		R	9722809-475	Replaced by 9722809-475 Available in reman only
GMC									
CADILLAC									
1985		12	1.4	1998538	128000-3182		IIR		
1985		12	1.4	1998538	128000-3182		IIR		
LOTUS									
1987	V8 5.7L	12	1.4	1998585	128000-5430		IIR		Replaced by 128000-8281
1987	V8 5.7L	12	1.4	10455704	128000-5430		IIR		Replaced by 128000-8281
	V6-4.3L & I292 CI	12	2.0	2585260C91	128000-6401		R		
	5.7l (*)	12	1.4		281-8000		OSGR		* May not fit all applications
POSTAL CHASSIS									
	2.2L (*)	12	1.2		428000-1820		R		* May not fit all applications
JIMMY S-15									
1983	C223	12	2.0	8-94123387-0 (Isuzu)	128000-0020		R		Replaced by 128000-0960
PREMIUM FORWARD									
1991	6BD1	12	3.0	94039465	128000-0494		R	9712809-049	
1991	6BD1	12	3.0	1-81100234-0 (Isuzu)	128000-0494		R	9712809-049	
7500									
1998	CAT 3116	12	4.0	10461089	228000-5851		R	280-8019	
KODIAK									
1999-2002	CAT 3126	12	4.0		228000-9750		R	280-8012	Mounted on Passenger Side
2001-2007	Isuzu 6HK1-TC 7.8L I6	12	4.0	12596914	228000-9761		R		GMT560
C25/C2500 SUBURBAN									
1985-1986	V8 7.4L w/2-wheel or 4-wheel drive	12	1.4		281-8000		OSGR		

STARTER APPLICATIONS



YEAR	ENGINE	VOLTS	KW	OEM PART NUMBER	NEW PART NUMBER	SOLENOID ANGLE	TYPE	REMAN PART NUMBER	APPLICATION INFORMATION
GMC (continued)									
C2500 SUBURBAN									
1992-1999	V8 7.4L w/ 2-wheel or 4-wheel drive	12	1.4		281-8000		OSGR		
K2500 SUBURBAN									
1992-1999	V8 7.4L w/ 2-wheel or 4-wheel drive	12	1.4		281-8000		OSGR		
R2500 SUBURBAN									
1987-1991	V8 7.4L w/ 2-wheel or 4-wheel drive	12	1.4		281-8000		OSGR		
SAFARI									
1991-2000	V6 4.3L w/ 2-wheel or 4-wheel drive	12	1.4		281-8000		OSGR		
1989	V6 4.3L w/ 2-wheel or 4-wheel drive	12	1.4		281-8000		OSGR		
7500									
1998	CAT 3116	12	4.0	10461089	428000-1610		R		Dry Clutch
YUKON									
1994-1997	V8 5.7L	12	1.4	10465167	281-8002		OSGR		
1999-2000	V8 5.7L	12	1.4	10465167	281-8002		OSGR		
SAFARI									
1999-2000	V6 4.3L	12	1.4	10465462	281-8002		OSGR		
SUBURBAN									
1994-1999	V8 7.4L	12	1.4	10465167	281-8002		OSGR		
SIERRA									
2004-2007		12	1.6	12567709			RA	280-0337	
YUKON XL									
2004-2007		12	1.6	12567709			RA	280-0337	
SIERRA 2500 HD									
2001-2006	6.6L Diesel	12	3.5	97209548, 97720446			OSGR	280-3134	
SIERRA 3500									
2001-2006	6.6L Diesel	12	3.5	97209548, 97720446			OSGR	280-3134	
G35/G3500 VAN									
1991	6.2L Diesel	12	1.7				PMGR	280-5159	
GRADALL									
1986	Perkins 4.236	12	2.5	9103-3323	128000-4092		R		Replaced by 128000-2253
GROVE									
CRANE									
1989-1987	TM875 w/ NTC-350	24	8.0	1114874	LAY42800-0070	308	P		
1986-1987	300	24	8.0	1114873, 1114935	LAY42800-0070	308	P		
1986-1987	475 w/ NTC230	24	8.0	1114873, 1114935	LAY42800-0070	308	P		
1986-1987	DDAD 6-71N	24	8.0	1114873, 1114935	LAY42800-0070	308	P		



YEAR	ENGINE	VOLTS	KW	OEM PART NUMBER	NEW PART NUMBER	SOLENOID ANGLE	TYPE	REMAN PART NUMBER	APPLICATION INFORMATION
GROVE (continued)									
CRANE (continued)									
1986-1987	RT588 w/ V-378 Engine	24	8.0	1114935	LAY42800-0070	308	P		
1986-1987	RT865	24	8.0	1114923, 1114935	LAY42800-0070	308	P		
1986-1987	RT980 w/ N-855	24	8.0	1114923, 1114935	LAY42800-0070	308	P		
1986-1987	RT980 w/ 6-71N	24	8.0	1114923, 1114935	LAY42800-0070	308	P		
1986-1987	TM1075 w/ 3406T	24	8.0	1114873, 1114874	LAY42800-0070	308	P		
1986-1987	TM1075 w/ NTC-350	24	8.0	1114873, 1114874	LAY42800-0070	308	P		
1986-1987	TM1075 w/ 8V-71TA	24	8.0	1114873, 1114874	LAY42800-0070	308	P		
1986-1987	TM1150 w/ NTC-350	24	8.0	1114873, 1114935, 1990491	LAY42800-0070	308	P		
1986-1987	TM1150 w/ 3406TA	24	8.0	1114873, 1114935, 1990491	LAY42800-0070	308	P		
1986-1987	TM1150 w/ V-555	24	8.0	1114873, 1114935, 1990491	LAY42800-0070	308	P		
1986-1987	TM1150 w/ 8V-92TA	24	8.0	1114873, 1114935, 1990491	LAY42800-0070	308	P		
1986-1987	TM1400 w/ V-555	24	8.0	1114935	LAY42800-0070	308	P		
1986-1987	TM875 w/ 3406T	24	8.0	1990491	LAY42800-0070	88	P		
1986-1987	TM875 w/ 8V-71N	24	8.0	1114873	LAY42800-0070	308	P		
1986-1987	TMS250 w/ VT-225	24	8.0	1114935	LAY42800-0070	308	P		
1986-1987	TMS865 w/ NTC-290	24	8.0	1114873, 1114923	LAY42800-0070	308	P		
1986-1987	TMS865 w/ 6-71T	24	8.0	1114873, 1114923	LAY42800-0070	308	P		
1983-1985	300	24	8.0	1114873	LAY42800-0070	308	P		
1983-1985	475 w/ 6-71N	24	8.0	1114873	LAY42800-0070	308	P		
1983-1985	TM875/1075 w/ 8V-71N/TA	24	8.0	1114873	LAY42800-0070	308	P		
1983-1985	Cummins w/ V-378	24	8.0	1114935	LAY42800-0070	308	P		
1983-1985	Cummins w/ N-855	24	8.0	1114935	LAY42800-0070	308	P		
1983-1985	Cummins w/ NT-855	24	8.0	1114935	LAY42800-0070	308	P		
1983-1985	Cummins w/ KT-225	24	8.0	1114935	LAY42800-0070	308	P		
1983-1985	Cummins w/ TM1150	24	8.0	1114935	LAY42800-0070	308	P		
1983-1985	NTC-290	24	8.0	1114873	LAY42800-0070	308	P		
1983-1985	TM1150 w/ V-555	24	8.0	1114874, 1114935	LAY42800-0070	308	P		
1983-1985	TM1400 w/ V-555	24	8.0	1114874, 1114935	LAY42800-0070	308	P		
1983-1985	TM875 w/ NTC-350	24	8.0	1114874, 1114935	LAY42800-0070	308	P		
1983-1985	TM1075 w/ NTC-350	24	8.0	1114874, 1114935	LAY42800-0070	308	P		
1983-1985	TM875 w/ 3406T/TA	24	8.0	1114879	LAY42800-0070	308	P		
1983-1985	TMS865 w/ 6-71T	24	8.0	1114923	LAY42800-0070	308	P		



YEAR	ENGINE	VOLTS	KW	OEM PART NUMBER	NEW PART NUMBER	SOLENOID ANGLE	TYPE	REMAN PART NUMBER	APPLICATION INFORMATION
GROVE (continued)									
CRANE (continued)									
1983-1985	RT865	24	8.0	1114923	LAY42800-0070	308	P		
1983-1985	980 w/ 6-71N	24	8.0	1114923	LAY42800-0070	308	P		
1983-1985	6-71T	24	8.0	1114923	LAY42800-0070	308	P		
HARLEY DAVIDSON									
1980	XL1000 (.88L)	12	1.0	31505-81	028000-7300		R		
1985	XL1100 (1.1L)	12	1.2	31391-86	128000-2690		R		
1988	1.34L (1340cc)	12	1.2	31570-89	128000-5750		R		
ALL MODELS									
1990	1.34L (1340cc)	12	1.2	31558-90	128000-8220		RA		
1990	1.2L (1200 cc)	12	1.2	31391-91	128000-8456		RA		
1993	1.34L (1340cc)	12	1.2	31558-94	228000-2552		RA		
1993	1.34L (1340cc)	12	1.2		228000-2552		RA		
HERCULES									
WHITE									
1989	1600 4 cyl.	12	1.4	40-2500450	128000-8230		IIR		
1994	G1600	12	1.4	40-2507901	228000-4471		RA	280-7072	
HINO									
1988		12	2.5	28100-1561A	028000-9775		RO		Replaced by 128000-5913
1987	H07C	12	4.0	28100-1670A	128000-0772		F	9712809-077	
1989	W04C-T	12	2.5	28100-1930A	128000-5091		R	9712809-509	
1989	W04C-T	12	2.5	28100-1960A	128000-5303		R	9712809-530	
1991	H07C	12	4.0	28100-2052B	128000-5913		IIF	9712809-591	
YJ22A									
1996-1998	J08C-T1	12	4.8	28100-2521A (B)	228000-6261		R	9722809-626	
YJ21									
1996-1998	J05C-T1	12	2.5	28100-2541A (B)	228000-6383		R	9722809-638	
NA,NB,NC									
2005-	J08	12	2.5	28100-2910	428000-2501		R		
2003-2006	J05D	12	2.5	28100-2911B	428000-2503		R		
ND,NE,NF,NV									
2003-2006	J08	12	4.0	28100-2920	428000-2511		R	9742809-251	
2003-2006	J08E	12	4.0	28100-2921A	428000-2511		R	9742809-251	
J08C-T1 8.0L									
1997-1998	YJ22 MT	12	4.8	28100-2510	228000-6253		R	9722809-625	
HITACHI									
		12	0.8	S114-170	281-9001		DD		
		12	1.2	S114-182	281-9002		DD		



YEAR	ENGINE	VOLTS	kW	OEM PART NUMBER	NEW PART NUMBER	SOLENOID ANGLE	TYPE	REMAN PART NUMBER	APPLICATION INFORMATION
HITACHI (continued)									
WHEEL LOADER ZW180									
2007-	Cummins QSB 6.7L Tier III	24	7.5	4934036	428000-5220		R		
HONDA									
EV4000 GEN SET									
1982	890	12	0.6	31200-ZA1-0030	028000-8411				
1982	890	12	0.6	31200-ZA1-0030	028000-8411				
GENERATOR									
	GXV270, 340, 390	12	0.6	31200-ZA1-003RM	028000-8411		B	9702889-028	Available in Reman Only
	GXV270, 340, 390	12	0.6	31200-ZA0-701RM	028000-8411		B	9702889-501	Available in Reman Only
LAWN MOWER									
	GXV270	12	0.6	31200-ZE8-003RM	128000-2950		B	9702889-503	Available in Reman Only
	GXV270	12	0.6	31200-ZE8-801RM	128000-2950		B	9702889-504	Available in Reman Only
GENERATOR									
	GXV270, 340, 390	12	0.6	31200-ZA0-L01RM	028000-8411		B	9702889-514	Available in Reman Only
SNOW BLOWER									
	Industrial Engines	12	0.4	31210-ZE2-003RM	128000-2240		B	9712809-224	Available in Reman Only
	Industrial Engines	12	0.5	31210-ZE3-013RM	128000-2750		B	9712809-275	Available in Reman Only
LAWN MOWER									
	GXV270	12	0.6	31200-ZE9-L31RM	128000-2950		B	9712809-295	Available in Reman Only
GENERATOR									
	ZB7	12	0.4	31210-ZB7-003RM	128000-3390		B	9712809-339	Available in Reman Only
LAWN MOWER									
		12	0.4	31210-ZE3-792RM	128000-3780		B	9712809-378	Available in Reman Only
GENERATOR									
	ZG8_	12	0.7	31210-ZG8-003RM	128000-8090		GA	9712809-809	Available in Reman Only
WATER TRASH PUMPS									
	Industrial Engines	12	0.4	31200-ZH9-003RM	128000-9400		B	9712809-940	Available in Reman Only
	Industrial Engines	12	0.8	31200-ZJ1-841RM	228000-7850		GA	9722809-785	Available in Reman Only
LAWN MOWER									
	GXV620, GXV670	12	0.8	31200-ZJ4-831RM	228000-7860		GA	9722809-786	Available in Reman Only
HYSTER									
1985-Up	C201 ISUZU	12	2.0	323812	128000-0960		R	280-7040	
1994-Up	NHR69, 4JG2	12	2.2	3122813, 8-97042-997-0, 1347064	228000-1893		R	280-7065	

STARTER APPLICATIONS



YEAR	ENGINE	VOLTS	KW	OEM PART NUMBER	NEW PART NUMBER	SOLENOID ANGLE	TYPE	REMAN PART NUMBER	APPLICATION INFORMATION
HYSTER (continued)									
H13-155XL									
1996-Up	GM 4.3L	12	2.0	1383240	228000-5862		RA	280-7041	Wet Clutch
1996-Up	GM 4.3L	12	2.0	8504304	228000-5862		RA	280-7041	Wet Clutch
H165-360XL									
1997	GM 6.0L	12	2.0	894878	228000-5862		RA	280-7041	Wet Clutch
H70XL-110XL									
1996-Up	GM 4.3L	12	2.0	1383240	228000-5862		RA	280-7041	Wet Clutch
1996-Up	GM 4.3L	12	2.0	8504304	228000-5862		RA	280-7041	Wet Clutch
S135-155XL									
1996-Up	GM 4.3L	12	2.0	1383240	228000-5862		RA	280-7041	Wet Clutch
1996-Up	GM 4.3L	12	2.0	8504304	228000-5862		RA	280-7041	Wet Clutch
H70-110XL									
1996-Up	Perkins 1000-4	12	2.7	8504305	228000-6401		R	280-7043	
S135-155XL									
1996-Up	Perkins 1000-4	12	2.7	8504305	228000-6401		R	280-7043	
S70-120XL									
1996-Up	Perkins 1000-4	12	2.7	8504305	228000-6401		R	280-7043	
H165-360XL									
1997	GM 6.0L	12	2.0	894878	228000-7070		RA	280-7042	
FD35P									
1997-up	Mitsubishi S6S	12	2.7	1388721	228000-7810		R	280-7045	Wet Clutch
FD40P									
1997-up	Mitsubishi S6S	12	2.7	1388721	228000-7810		R	280-7045	Wet Clutch
FD40PS									
1997-up	Mitsubishi S6S	12	2.7	1388721	228000-7810		R	280-7045	Wet Clutch
FD45P									
1997-up	Mitsubishi S6S	12	2.7	1388721	228000-7810		R	280-7045	Wet Clutch
FD50P									
1997-up	Mitsubishi S6S	12	2.7	1388721	228000-7810		R	280-7045	Wet Clutch
H75-120XL									
1997-up	Perkins Darwin	12	2.7	1388721	228000-7810		R	280-7045	Wet Clutch
H2.0-3.2XM									
1998	Perkins 1000-4	12	2.2		228000-8040		R		
H40-65XM									
1998	Perkins 1000-4	12	2.2		228000-8040		R		
S-40-60XL									
1985-Up	C240 / 4FC1	12	2.0	8-94453-212-0	281-9009		OSGR	280-9009	
VARIOUS									
1980-1992	C240 / 280 Diesel	12	2.0	8-94453-212-0	281-9009		OSGR	280-9009	
2004									
	S155	12	2.7	8517523	428000-2490		R	280-7044	
	GM 2.2L	12	1.4	1362081			DD	280-9039	Available in Reman Only
	GM 2.2L	12	1.7	1457048			PMGR	280-9040	Available in Reman Only

STARTER APPLICATIONS



YEAR	ENGINE	VOLTS	kW	OEM PART NUMBER	NEW PART NUMBER	SOLENOID ANGLE	TYPE	REMAN PART NUMBER	APPLICATION INFORMATION
IHC									
1980-1983	DDAD 8V-92 w/ 7 roll	24	8.0	1114873	LAY42800-0070	308	P		
1980-1982	8V-92 w/7 roll	24	8.0	1114873, 1114880	LAY42800-0070	308	P		
1975-1976	TD-20E w/ DVT-800	24	8.0	1113991	LAY42800-0070	308	P		
1972-1976	TD-25C w/ DT-817C	24	8.0	1113883	LAY42800-0070	308	P		
1971-1976	250C Loader w/ DT-573B	24	8.0	1113991	LAY42800-0070	308	P		
1986	Cummins L10	24	8.0	1990344	LAY42800-0070	38	P		
1984	Cummins NTC-3208	24	8.0	1114850	LAY42800-0070	308	P		
1984	Cummins NTC-240	24	8.0	1114850	LAY42800-0070	308	P		
1984	DDAD 6-71	24	8.0	1990388	LAY42800-0070	38	P		
1984	DDAD 6V-92	24	8.0	1990388	LAY42800-0070	38	P		
1984	DDAD 8V-71	24	8.0	1990388	LAY42800-0070	38	P		
1983	6V-92	24	8.0	1114850, 1114873	LAY42800-0070	308	P		
1983	8V-71	24	8.0	1114850, 1114873	LAY42800-0070	308	P		
1983	NTC	24	8.0	1114850, 1114873	LAY42800-0070	308	P		
1983	DDAD 6-71	24	8.0	1114873, 1114880	LAY42800-0070	308	P		
1983	DDAD 6V-71	24	8.0	1114873, 1114880	LAY42800-0070	308	P		
1983	DDAD 6V-92	24	8.0	1114873, 1114880	LAY42800-0070	308	P		
1983	DDAD 8V-71	24	8.0	1114873, 1114880	LAY42800-0070	308	P		
1983	NTC-240	24	8.0	1114873, 1114880	LAY42800-0070	308	P		
1983	IHV-800 5070, COF 5370	24	8.0	1114873, 1114880	LAY42800-0070	308	P		
1979	TD-25C	24	8.0	1113883	LAY42800-0070	308	P		
330/340/431/442/433/444									
1979		24	8.0	1113831	LAY42800-0070	308	P		
CRAWLER/TD-20E									
1980-1982	DVT-800	24	8.0	1114846	LAY42800-0070	308	P		
CRAWLER/TD-25C									
1971-1979	DT-817/DT-817B	24	8.0	1113883	LAY42800-0070	308	P		
CRAWLER/TD-25E									
1980-1982	DTI-817B	24	8.0	1114958	LAY42800-0070	308	P		
CRAWLER/TD-40									
1980-1982	KT-1150	24	8.0	1114958	LAY42800-0070	308	P		
LOADER/SB-85									
1980-1982	DTI-817B Diesel	24	8.0	1114958	LAY42800-0070	308	P		
PAYHAULER									
1974-1976	330/340 w/ DT-817C Diesel	24	8.0	1113831	LAY42800-0070	308	P		
1974-1976	431/433/442/444 w/ DVT-800	24	8.0	1113831	LAY42800-0070	308	P		
PAYHAULER/PH-140									
1968-1973	DT-817B	24	8.0	1113831	LAY42800-0070	308	P		

STARTER APPLICATIONS



YEAR	ENGINE	VOLTS	KW	OEM PART NUMBER	NEW PART NUMBER	SOLENOID ANGLE	TYPE	REMAN PART NUMBER	APPLICATION INFORMATION
IHC (continued)									
PAYHAULER/PH-295B									
1971-1973	All	24	8.0	1113831	LAY42800-0070	308	P		
PAYHAULER/PH-65C									
1970	DVT-573B Diesel	24	8.0	1113831	LAY42800-0070	308	P		
PAYLOADER									
1980-1982	560B w/ KT1150C	24	8.0	1114958	LAY42800-0070	308	P		
1979-1982	All w/ DT-817C	24	8.0	1113831	LAY42800-0070	308	P		
1975-1976	560 w/ DT-817C	24	8.0	1113831	LAY42800-0070	308	P		
1974-1976	All w/ H100-C w/ DT817C	24	8.0	1113831	LAY42800-0070	308	P		
PAYLOADER/H-100C									
1970-1979	DVT-573B	24	8.0	1113831	LAY42800-0070	308	P		
1970-1973	Cummins	24	8.0	1113842	LAY42800-0070	308	P		
1970-1973	NT-855CI Cummins NT-855CI	24	8.0	1113842	LAY42800-0070	308	P		
1970-1973	DT-817B	24	8.0	1113831	LAY42800-0070	308	P		
PAYLOADER/H-120C									
1970-1973	Cummins NT-855CI	24	8.0	1113842	LAY42800-0070	308	P		
PAYLOADER/H-90E									
1975-1979	DVT-573B	24	8.0	1113920	LAY42800-0070	308	P		
1970-1974	DVT-573B	24	8.0	1113831	LAY42800-0070	308	P		
PAYSCRAPER									
1971-1973	270, ET-270 w/ DVT-573B	24	8.0	1113920	LAY42800-0070	308	P		
PAYSTAR									
1986	Cummins PT-240	24	8.0	1990344	LAY42800-0070	38	P		
1986	DDAD 6-71	24	8.0	1990344	LAY42800-0070	38	P		
1986	DDAD 6V-92	24	8.0	1990344	LAY42800-0070	38	P		
1985	(Opt.) 8V-92	24	8.0	1990344	LAY42800-0070	38	P		
1979	6-71	24	8.0	1113900	LAY42800-0070	308	P		
1979	8V-71T	24	8.0	1113900	LAY42800-0070	308	P		
1979	V-800	24	8.0	1113900	LAY42800-0070	308	P		
S-SERIES									
1986	DDAD 6-71	24	8.0	1990344	LAY42800-0070	38	P		
1986	DDAD 6V-92	24	8.0	1990344	LAY42800-0070	38	P		
1986	DDAD 8V-71	24	8.0	1990344	LAY42800-0070	38	P		
1985	Cummins L10-2375, 2570, 2575, 2670	24	8.0	1990344	LAY42800-0070	38	P		
TRANSTAR									
1983-1984	8V-92	24	8.0	1114873, 1114880	LAY42800-0070	308	P		
1979	8V-92T, TA, TT, TTA	24	8.0	1113846	LAY42800-0070	308	P		
1979	KT-450	24	8.0	1113846	LAY42800-0070	308	P		
TRANSTAR II (CAB-OVER)									
1979	Cummins	24	8.0	1113887, 1113914	LAY42800-0070	308	P		



YEAR	ENGINE	VOLTS	kW	OEM PART NUMBER	NEW PART NUMBER	SOLENOID ANGLE	TYPE	REMAN PART NUMBER	APPLICATION INFORMATION
IHC (continued)									
TRANSTAR II (CAB-OVER) (continued)									
1979	DDAD	24	8.0	1113887, 1113914	LAY42800-0070	308	P		
INTERNATIONAL									
STRIPPED CHASSIS									
2002	VT365	12	4.0	3591688C91	428000-0071		R		
ALL									
1998-2006	Cummins ISM	12	5.0		428000-4420		R		
2000-2006	CAT C15	12	5.0		428000-4420		R		
2004-2006	CAT C13	12	5.0		428000-4420		R		
2003-2006	CAT C11	12	5.0		428000-4420		R		
1994-1998	Cummins M11	12	5.0		428000-4430		R		
	DT466E / I6 7.6L	12	4.0	2509687C91	228000-5311		R		Dry Clutch & Ground Stud
	T444E / V8 7.3L	12	4.0		228000-6350				
ALL									
1994-2006	Detroit Series 60	12	5.0		428000-4430		R		
1999-2006	Cummins ISX	12	5.0		428000-4440		R		
1994-2002	Cummins N14	12	5.0		428000-4440		R		
ISHIKAWAJIMA									
SU1500									
1979	LEK802D	12	1.4	18508-6180	028000-6350		R		
1988	S723C	12	0.9	18508-6280	028000-9113		G		
1989	E643	12	0.6	18508-6440	128000-7740		GA		
SKID LOADER									
1993	N843	12	2.0	18508-6520	228000-2970		R		
1993	N844	12	2.0	18508-6520	228000-2970		R		
TRACTOR									
1994-1999	N844	12	2.0	18508-6530	228000-5123		RA	9722809-512	
ISUZU									
1977	C190	12	1.8	5-81100087-0	028000-5050		F		Replaced by 128000-0960
1977	C240	12	1.8	5-81100087-0	028000-5050		F		Replaced by 128000-0960
1981	2AB1	12	1.4	5-81100086-Up0	028000-5060		R		Replaced by 128000-1102
1981	3AB1	12	1.4	5-81100086-Up0	028000-5060		R		Replaced by 128000-1102
1981	4FA1	12	1.4	5-81100086-Up0	028000-5060		R		Replaced by 128000-1102
1978	4BB1	12	2.5	5-81100108-1	028000-5490		R		
FDR									
1979-1984	6BF1	24	4.5	1-81100141-0	028000-6200		R		
1979	C240	12	1.8	5-81100155-0	028000-6440		R		Replaced by 128000-0960
1980	4BD1	12	2.5	5-81100169-0	028000-6561		R		Replaced by 128000-7752

STARTER APPLICATIONS



YEAR	ENGINE	VOLTS	KW	OEM PART NUMBER	NEW PART NUMBER	SOLENOID ANGLE	TYPE	REMAN PART NUMBER	APPLICATION INFORMATION
ISUZU (continued)									
35J BACKHOE									
	3LD1	12	1.2	8-97048966-2	228000-1133		R		
1980	6BD1	12	2.5	5-81100169-0	028000-6561		R		Replaced by 128000-7752
ELF NHR69									
	4JG2	12	2.0		228000-5144		R		
1979	6BD1	12	2.5	5-81100154-0	028000-6640		R		
1979	C190	12	2.5	5-81100154-0	028000-6640		R		
1979	C240	12	2.5	5-81100154-0	028000-6640		R		
1988	C190	12	2.0	5-81100166-0	028000-7004		R		
1988	C240	12	2.0	5-81100166-0	028000-7004		R		
1981	C233	12	2.0	5-81100166-4	028000-7004		R		
KBD, UBS52									
1981-1982	C190	12	2.0	5-81100183-0	028000-7791		R		Replaced by 128000-0960
1981-1982	C223	12	2.0	5-81100183-0	028000-7791		R		Replaced by 128000-0960
1982	4BA1	12	2.5	8-94150343-1	028000-8630		R		
1983	C223	12	2.0	8-94123387-0	128000-0020		R		Replaced by 128000-0960
1991	6BD1	12	3.0	1-81100234-0	128000-0494		R	9712809-049	
1988	4JB1	12	2.2	8-94133758-3	128000-0833		R		
1984	C201	12	2.0		128000-0960		R		
TCM									
1985	3AB1	12	1.4	8-94170205-0	128000-1102		IIR		
P613L									
1985	4ZD1	12	1.0	8-94156671-0	128000-2040		R		
JDR									
1979-1984	6BF1	24	4.5	1-81100141-0	028000-6200		R		
1985	6SA1	12	3.0	1-81100231-0	128000-2471		R		
FRR13									
1985	6SA1	24	5.5	1-81100230-1	128000-2451		R		
1985	KDB	12	2.0	8-94412730-1	128000-2881		R		
E-JT150									
1986	4XC1	12	0.6	8-94449782-0	128000-4270		GA		Replaced by 128000-7720
P615									
1987	4ZE1	12	1.2	8-94469246-0	128000-5630		R		
1990	4XE1	12	1.4	8-94360113-2	128000-7002		RA		
JT151F, AT									
1989	4XC1	12	1.0	8-94480791-0	128000-7400		P		
JT151F, MT									
1989	4XE1	12	1.0	8-94480791-0	128000-7400		P		



YEAR	ENGINE	VOLTS	kW	OEM PART NUMBER	NEW PART NUMBER	SOLENOID ANGLE	TYPE	REMAN PART NUMBER	APPLICATION INFORMATION
ISUZU (continued)									
1989	4ZE1	12	1.2	8-94371833-0	128000-7560		RA		
1989	4XC1-V	12	0.7	8-9448079-00	128000-7720		GA		
1989	4BD1	12	2.5	5-81100169-1	128000-7752		R		
1989	4BD1	12	2.5	5-81100169-2	128000-7752		R		
1991	4XF1-W	12	1.4	8-97061359-0	228000-0410		RA		
1992	4XE1	12	1.2	8-97065315-0	228000-0710		RA		
NHR									
1992		12	2.2	8-97042997-0	228000-1893		R	280-7065	
1992	3LD1	12	1.4	8-97048967-3	228000-2003		RA		
1993	6HE1-T	12	3.0	8-97500231-0	228000-2807		R	9722809-280	
1993	6HE1-T	12	3.0	8-97500358-1	228000-2807		R	9722809-280	
1993	6HE1-T	12	3.0	29112-34200	228000-2807		R	9722809-280	
1992		12	0.8	28100-16230-F	228000-2900		P		
1996	4LE1	12	1.8	8-97135343-2	228000-5382		RA		
1998	4HE1-T	12	3.0	8-97207786-Up0	228000-8182		R	9722809-818	
2003-	4BG1 (Wet)	12	2.5	8-97358062-1	428000-2081		R		Wet Clutch
FTR									
1985	6SA1	24	5.5	1-81100239-0	128000-2742		R		
J.I. CASE									
2003-2006	521D	12	4.0	8605783	428000-2581		R		
580C									
1978	188D	12	2.5	116930A1	028000-5884		R	9702809-588	
1978	188D	12	2.5	116930A1	028000-5884		R	9702809-588	
1978	188D	12	2.5	R39341	028000-5884		R	9702809-588	
1978	207D	12	2.5	116930A1	028000-5884		R	9702809-588	
1978	207D	12	2.5	116930A1	028000-5884		R	9702809-588	
1978	207D	12	2.5	R39341	028000-5884		R	9702809-588	
580D									
1978	188D	12	2.5	116930A1	028000-5884		R	9702809-588	
1978	188D	12	2.5	116930A1	028000-5884		R	9702809-588	
1978	188D	12	2.5	R39341	028000-5884		R	9702809-588	
1978	207D	12	2.5	116930A1	028000-5884		R	9702809-588	
1978	207D	12	2.5	116930A1	028000-5884		R	9702809-588	
1978	207D	12	2.5	R39341	028000-5884		R	9702809-588	
UNI-LOADERS									
1982-1987	1835B w/ D188 Diesel Eng.	12	2.5	R39341	028000-5884		R	9702809-588	
1982-1985	1845B w/ D188 Diesel Eng.	12	2.5	R39341	028000-5884		R	9702809-588	
1988	6-590	12	4.0	A162469	028000-7431		F		
1988	6-590	12	4.0	A162469	028000-7431		F		
1988	6T-590	12	4.0	A162469	028000-7431		F		
1988	6T-590	12	4.0	A162469	028000-7431		F		
1988	6TA-590	12	4.0	A162469	028000-7431		F		

STARTER APPLICATIONS



YEAR	ENGINE	VOLTS	KW	OEM PART NUMBER	NEW PART NUMBER	SOLENOID ANGLE	TYPE	REMAN PART NUMBER	APPLICATION INFORMATION
J.I. CASE (continued)									
1988	6TA-590	12	4.0	A162469	028000-7431		F		
COMBINES									
1994-1996	2144	12	4.0	A162469	028000-7431		F		
1994-1996	2166	12	4.0	A162469	028000-7431		F		
1994-1996	2188	12	4.0	A162469	028000-7431		F		
1993-Up	1666	12	4.0	A162469	028000-7431		F		
1993-Up	1668	12	4.0	A162469	028000-7431		F		
1992-1994	1688	12	4.0	A162469	028000-7431		F		
1985-1992	1640 w/ D436, DT466 Engs.	12	4.0	A162469	028000-7431		F		
1985-1992	1660 w/ D436, DT466 Engs.	12	4.0	A162469	028000-7431		F		
1985-1992	1680 w/ D436, DT466 Engs.	12	4.0	A162469	028000-7431		F		
TRACTORS									
1995-Up	9310	12	4.0	A162469	028000-7431		F		
1995-Up	9330	12	4.0	A162469	028000-7431		F		
1990-1996	9210	12	4.0	A162469	028000-7431		F		
1990-1996	9230	12	4.0	A162469	028000-7431		F		
1990-1996	9240	12	4.0	A162469	028000-7431		F		
1986-1993	9110	12	4.0	A162469	028000-7431		F		
1986-1993	9130	12	4.0	A162469	028000-7431		F		
1986-1990	4894 w/ 6-674	12	4.0	A162469	028000-7431		F		
1985-1990	Diesel Eng. 2096 w/ 6-504 Diesel Eng.	12	4.0	A162469	028000-7431		F		
1984-90	4694 w/ 6-504 Diesel Eng.	12	4.0	A162469	028000-7431		F		
1984-88	4490 w/ 6-504	12	4.0	A162469	028000-7431		F		
1984-88	Diesel Eng. 4690 w/ 6-504 Diesel Eng.	12	4.0	A162469	028000-7431		F		
1984-88	4890 w/ 6-674 Diesel Eng.	12	4.0	A162469	028000-7431		F		
1984-87	4494 w/ 6-504	12	4.0	A162469	028000-7431		F		
1983-1988	Diesel Eng. 2094 w/ 6-504 Diesel Eng.	12	4.0	A162469	028000-7431		F		
1980-1983	2590 w/ 504 Diesel Eng.	12	4.0	A162469	028000-7431		F		
1979-1988	2470 w/ 504	12	4.0	A162469	028000-7431		F		
1979-1988	Diesel Eng. 2670 w/ 504 Diesel Eng.	12	4.0	A162469	028000-7431		F		
1979-1988	2870 w/ 6-674 Diesel Eng.	12	4.0	A162469	028000-7431		F		
1978-1988	2090 w/ 6-504	12	4.0	A162469	028000-7431		F		
1978-1988	Diesel Eng. 2290 w/ 6-504 Diesel Eng.	12	4.0	A162469	028000-7431		F		



YEAR	ENGINE	VOLTS	kW	OEM PART NUMBER	NEW PART NUMBER	SOLENOID ANGLE	TYPE	REMAN PART NUMBER	APPLICATION INFORMATION
J.I. CASE (continued)									
TRACTORS (continued)									
1978-1988	2390 w/ 504 Diesel Eng.	12	4.0	A162469	028000-7431		F		
580E									
1985	4BT1-3.9L	12	2.5	1987559C1	128000-0216		R	9712809-021	
1985	4BT1-3.9L	12	2.5	A170746	128000-0216		R	9712809-021	
SUPERE									
1985	4BT1-3.9L	12	2.5	1987559C1	128000-0216		R	9712809-021	
1985	4BT1-3.9L	12	2.5	A170746	128000-0216		R	9712809-021	
1985	5.9L (CDC 6 cyl.)	24	5.5	1987566C1	128000-2563		R		
1985	5.9L (CDC 6 cyl.)	24	5.5	1987566C1	128000-2563		R		
CRAWLERS, LOADERS									
1990-1993	W24B w/ 6-590 Diesel Eng.	24	5.5	1987566C1	128000-2563		R		
EXCAVATORS									
1990-1992	1088 w/ 6T590 Diesel Eng.	24	5.5	1987566C1	128000-2563		R		
1989	4BT1-3.9L (CDC 4 cyl.)	12	2.5	1987586C1	128000-3125		R		
1989	4BT1-3.9L (CDC 4 cyl.)	12	2.5	A181056	128000-3125		R		
1989	4BT1-3.9L (CDC 4 cyl.)	12	2.5	A181056	128000-3125		R		
1988	5.9L (CDC 6 cyl.)	12	4.0	91902C1	128000-4340		F		
7110									
1990	5.9L (CDC 6 cyl), 8.3L	12	4.0	A187728	128000-5331		R		Replaced by 228000-5603
1990	5.9L (CDC 6 cyl), 8.3L	12	4.0	A187728	128000-5331		R		Replaced by 228000-5603
7120									
1990	5.9L (CDC 6 cyl), 8.3L	12	4.0	A187728	128000-5331		R		Replaced by 228000-5603
1990	5.9L (CDC 6 cyl), 8.3L	12	4.0	A187728	128000-5331		R		Replaced by 228000-5603
7130									
1990	5.9L (CDC 6 cyl), 8.3L	12	4.0	A187728	128000-5331		R		Replaced by 228000-5603
1990	5.9L (CDC 6 cyl), 8.3L	12	4.0	A187728	128000-5331		R		Replaced by 228000-5603
1990	5.9L (CDC 6 cyl), 8.3L	12	4.0	A187728	128000-5331		R		Replaced by 228000-5603



YEAR	ENGINE	VOLTS	KW	OEM PART NUMBER	NEW PART NUMBER	SOLENOID ANGLE	TYPE	REMAN PART NUMBER	APPLICATION INFORMATION
J.I. CASE (continued)									
7140									
1990	5.9L (CDC 6 cyl), 8.3L	12	4.0	A187728	128000-5331		R		Replaced by 228000-5603
CDC 59									
1989	5.9L (CDC 6 cyl.)	12	3.0	A186247	128000-5373		R		
1989	5.9L	12	3.0	116928A1	128000-5625		R		Wet Clutch
1989	5.9L	12	3.0	116928A23	128000-5625		R		
1989	5.9L	12	3.0	A187615	128000-5625		R		
TRACTORS									
1992-Up	5230 w/ 6-359 Diesel Eng.	12	3.0	A187615	128000-5625		R		
1992-Up	5240 w/ 6-359 Diesel Eng.	12	3.0	A187615	128000-5625		R		
1992-Up	5250 w/ 6T-359 Diesel Eng.	12	3.0	A187615	128000-5625		R		
1990-Up	5130 w/ 6-590 Eng.	12	3.0	A187615	128000-5625		R		
1990-Up	5140 w/ 6-590 Eng.	12	3.0	A187615	128000-5625		R		
EXCAVATORS									
1987-1992	688 w/ Diesel Eng.	24	5.5	1987566C1	128000-2563		R		
1996	P104, w/ Cummins 6C	12	4.0	193432A1	228000-5603		R		Wet Clutch
1996	P104, w/ Cummins 6C	12	4.8	223900A1	228000-5612		R		Replaced by PN 228000-7381
1996	TM27	12	1.4	235907A1	228000-6070		RA		
1997	MX30 CDC 5.9L	12	4.0	257920A1	228000-6872		R		
1998	MX30	12	2.7	282161A1	228000-8460		R		
1991	5.9L (CDC 6 cyl), 8.3L	24	7.5	A187722	128000-7021		R		Replaced by 228000-7381
CRAWLER TRACTOR									
1987	1150, CDC Eng. 60 8.3l	24	8.0	1993796	LAY42800-0060		P		
1987	1550, CDC Eng. 60 8.3l	24	8.0	1993796	LAY42800-0060		P		
FARM TRACTOR									
1987	Woodland 1187	24	8.0	1993797	LAY42800-0060		P		
1987	Case 6-504	24	8.0	1993797	LAY42800-0060		P		
CRANE									
1985-1986	DDAD 4-71	24	8.0	1990437	LAY42800-0070	38	P		
EXCAVATOR									
1983-1985	GMC 4-71, 6-71	24	8.0	1114923	LAY42800-0070	308	P		
1986	40D	24	8.0	A170746	LAY42800-0070		P		



YEAR	ENGINE	VOLTS	kW	OEM PART NUMBER	NEW PART NUMBER	SOLENOID ANGLE	TYPE	REMAN PART NUMBER	APPLICATION INFORMATION
J.I. CASE (continued)									
EXCAVATOR (continued)									
1986	45DR	24	8.0	A170746	LAY42800-0070		P		
1986	45R	24	8.0	A170746	LAY42800-0070		P		
TRACTOR / COMBINES									
	Cummins 6C (Wet)	12	4.8	87413501	428000-2960		R	9742809-296	
EXCAVATOR									
1986	50LC w/ 4-71 Engine	24	8.0	A170746	LAY42800-0070		P		
TV145 TRACTOR									
2008-	EEA 6.7L, 6cyl	12	5.0	87601407	428000-6340				
JOHN DEERE									
4020									
1984	6329	12	4.0	RE13722	028000-3292		F	9702800-329	
1984	6404	12	4.0	RE13722	028000-3292		F	9702800-329	
1984	6410	12	4.0	RE13722	028000-3292		F	9702800-329	
1984	6466	12	4.0	RE13722	028000-3292		F	9702800-329	
1984	6531T	12	5.0	AR46886	028000-3811		F	9702800-381	
1984	6619T	12	5.0	AR46886	028000-3811		F	9702800-381	
COMPACTORS									
1975-1981	JD646B	12	5.0	AR46886	028000-3811		F	9702800-381	
ENGINES									
	6531 w/ Eng. Code 3004	12	5.0	AR46886	028000-3811		F	9702800-381	
	6619 w/ Eng. Code 3005	12	5.0	AR46886	028000-3811		F	9702800-381	
FORAGE HARVESTERS									
1986-1992	5730 w/ 6-619 Eng.	12	5.0	AR46886	028000-3811		F	9702800-381	
1986-1992	5830 w/ 6-619 Eng.	12	5.0	AR46886	028000-3811		F	9702800-381	
1982-1986	5720 w/ 6-619 Eng.	12	5.0	AR46886	028000-3811		F	9702800-381	
1982-1986	5830 w/ 6-466 Eng.	12	5.0	AR46886	028000-3811		F	9702800-381	
1977-1981	5440 w/ 6-619 Eng.	12	5.0	AR46886	028000-3811		F	9702800-381	
1977-1981	5460 w/ 6-619 Eng.	12	5.0	AR46886	028000-3811		F	9702800-381	
1976-1978	5200 w/ 6-531 Eng.	12	5.0	AR46886	028000-3811		F	9702800-381	
1976-1978	5400 w/ 6-531 Eng.	12	5.0	AR46886	028000-3811		F	9702800-381	
SCRAPERS									
1969-1976	JD760A	12	5.0	AR46886	028000-3811		F	9702800-381	

STARTER APPLICATIONS



YEAR	ENGINE	VOLTS	KW	OEM PART NUMBER	NEW PART NUMBER	SOLENOID ANGLE	TYPE	REMAN PART NUMBER	APPLICATION INFORMATION
JOHN DEERE (continued)									
TRACTORS									
1979-1982	8440 w/ 6-619 Diesel Eng.	12	5.0	AR46886	028000-3811		F	9702800-381	
1979-1982	8450 w/ 6-619 Diesel Eng.	12	5.0	AR46886	028000-3811		F	9702800-381	
1979-1982	8640 w/ 6-619 Diesel Eng.	12	5.0	AR46886	028000-3811		F	9702800-381	
1975-1978	8630 w/ 6-619 Diesel Eng.	12	5.0	AR46886	028000-3811		F	9702800-381	
1972-1977	6030 w/ 6-531 Diesel Eng.	12	5.0	AR46886	028000-3811		F	9702800-381	
1966-1972	5020 w/ 6-531 Diesel Eng.	12	5.0	AR46886	028000-3811		F	9702800-381	
1966-1970	JD700A	12	5.0	AR46886	028000-3811		F	9702800-381	
1984	6414	24	7.5	RE15663	028000-5251		F	9702800-525	
1984	6414	24	7.5	RE15663	028000-5251		F	9702800-525	
1984	6414	24	7.5	RE15663	028000-5251		F	9702800-525	
1984	6466	24	7.5	RE15663	028000-5251		F	9702800-525	
1984	6466	24	7.5	RE15663	028000-5251		F	9702800-525	
1984	6466	24	7.5	RE15663	028000-5251		F	9702800-525	
CRAWLER BULLDOZERS									
1982-1990	750B	24	7.5	RE15663	028000-5251		F	9702800-525	
1982-1990	850B w/ 6-619 Diesel Eng.	24	7.5	RE15663	028000-5251		F	9702800-525	
1976-1981	750	24	7.5	RE15663	028000-5251		F	9702800-525	
CRAWLER LOADERS									
1985-1990	755B	24	7.5	RE15663	028000-5251		F	9702800-525	
1982-1986	655B	24	7.5	RE15663	028000-5251		F	9702800-525	
1982-1984	755A	24	7.5	RE15663	028000-5251		F	9702800-525	
1976-1981	755	24	7.5	RE15663	028000-5251		F	9702800-525	
1981	655	24	7.5	RE15663	028000-5251		F	9702800-525	
EXCAVATORS									
1988-1992	790D	24	7.5	RE15663	028000-5251		F	9702800-525	
1986-1988	792	24	7.5	RE15663	028000-5251		F	9702800-525	
1986-1987	790	24	7.5	RE15663	028000-5251		F	9702800-525	
1984-92	690C	24	7.5	RE15663	028000-5251		F	9702800-525	
1984-92	690DR	24	7.5	RE15663	028000-5251		F	9702800-525	
1984-92	892DLC	24	7.5	RE15663	028000-5251		F	9702800-525	
FELLER BUNCHERS									
1988-1995	693D w/ 6068 Diesel Eng.	24	7.5	RE15663	028000-5251		F	9702800-525	
1988-1994	793D	24	7.5	RE15663	028000-5251		F	9702800-525	
1987-1989	693C	24	7.5	RE15663	028000-5251		F	9702800-525	
MARINE ENGINES									
1987-1989	6076AFM	24	7.5	RE15663	028000-5251		F	9702800-525	



YEAR	ENGINE	VOLTS	KW	OEM PART NUMBER	NEW PART NUMBER	SOLENOID ANGLE	TYPE	REMAN PART NUMBER	APPLICATION INFORMATION
JOHN DEERE (continued)									
MOTOR GRADERS									
1982-Up	570B	24	7.5	RE15663	028000-5251		F	9702800-525	
1982-Up	670B	24	7.5	RE15663	028000-5251		F	9702800-525	
1982-Up	670B	24	7.5	RE15663	028000-5251		F	9702800-525	
1982-Up	672B	24	7.5	RE15663	028000-5251		F	9702800-525	
1982-Up	770B	24	7.5	RE15663	028000-5251		F	9702800-525	
1982-Up	770BH	24	7.5	RE15663	028000-5251		F	9702800-525	
1982-Up	772B	24	7.5	RE15663	028000-5251		F	9702800-525	
1982-Up	772BH	24	7.5	RE15663	028000-5251		F	9702800-525	
1978-1981	670A	24	7.5	RE15663	028000-5251		F	9702800-525	
1978-1981	772A w/ D25736466 Eng.	24	7.5	RE15663	028000-5251		F	9702800-525	
1975-1978	JD670	24	7.5	RE15663	028000-5251		F	9702800-525	
SCRAPERS									
1982-Up	762B	24	7.5	RE15663	028000-5251		F	9702800-525	
950									
1978	3T90J	12	2.5	CH12096	028000-5662		R		
1978	3T90TJ	12	2.5	CH12096	028000-5662		R		
1050									
1978	3T90J	12	2.5	CH12096	028000-5662		R		
1978	3T90TJ	12	2.5	CH12096	028000-5662		R		
1250									
1978	3T90J	12	2.5	CH12096	028000-5662		R		
1978	3T90TJ	12	2.5	CH12096	028000-5662		R		
750									
1978-1983	3T80J	12	1.4	CH12741	028000-5730		R	9712809-071	On engines built prior to 7/83
1978-1983	3T80J	12	1.4	S-114-116 (Hitachi)	028000-5730		R	9712809-071	On engines built prior to 7/83
1978-1983	3T80UJ	12	1.4	CH12741	028000-5730		R	9712809-071	On engines built prior to 7/83
1978-1983	3T80UJ	12	1.4	S-114-116 (Hitachi)	028000-5730		R	9712809-071	On engines built prior to 7/83
850									
1978-1983	3T80J	12	1.4	CH12741	028000-5730		R	9712809-071	On engines built prior to 7/83
1978-1983	3T80J	12	1.4	S-114-116 (Hitachi)	028000-5730		R	9712809-071	On engines built prior to 7/83
1978-1983	3T80UJ	12	1.4	CH12741	028000-5730		R	9712809-071	On engines built prior to 7/83
1978-1983	3T80UJ	12	1.4	S-114-116 (Hitachi)	028000-5730		R	9712809-071	On engines built prior to 7/83
2550									
1986	4219	12	2.5	RE19275	028000-8400		R	9702809-840	Replaced by 228000-6471
1986	4239	12	2.5	RE19275	028000-8400		R	9702809-840	Replaced by 228000-6471
1986	4219	12	2.5	RE51447	028000-8401		R	9702809-840	Replaced by 228000-6471
1986	4239	12	2.5	RE51447	028000-8401		R	9702809-840	Replaced by 228000-6471

STARTER APPLICATIONS



YEAR	ENGINE	VOLTS	KW	OEM PART NUMBER	NEW PART NUMBER	SOLENOID ANGLE	TYPE	REMAN PART NUMBER	APPLICATION INFORMATION
JOHN DEERE (continued)									
ENGINES									
	6329 w/ Eng. Code 3001	12	2.5		028000-8402		R	9702809-840	Replaced by 228000-6471
ENGINES (SARAN)									
	4239 w/ Eng. Code 3001	12	2.5		028000-8402		R	9702809-840	Replaced by 228000-6471
COTTON HARVESTERS									
1987-Up	9930 w/ 6-359 Diesel Eng.	12	2.5		028000-8403		R	9702809-840	Replaced by 228000-6471
2550									
1986	4219	12	2.5	RE54092	028000-8404		R	9702809-840	Replaced by 228000-6471
1986	4239	12	2.5	RE54092	028000-8404		R	9702809-840	Replaced by 228000-6471
SCRAPERS									
1980-1981	762A	24	7.5	RE15663	028000-5251		F	9702800-525	
750									
1983	3T80J	12	1.4	121120-77011 (Yanmar)	128000-0710		IIR	9712809-071	On engines built after 7/83
1983	3T80UJ	12	1.4	121120-77011 (Yanmar)	128000-0710		IIR	9712809-071	On engines built after 7/83
850									
1983	3T80J	12	1.4	121120-77011 (Yanmar)	128000-0710		IIR	9712809-071	On engines built after 7/83
1983	3T80UJ	12	1.4	121120-77011 (Yanmar)	128000-0710		IIR	9712809-071	On engines built after 7/83
1250 TRACTORS									
1984	3T90	12	2.5	121420-77011 (Yanmar)	128000-0793		R	9712809-079	
1650 TRACTORS									
1984	3T90	12	2.5	121420-77011 (Yanmar)	128000-0793		R	9712809-079	
1985	FC540V	12	0.8	21163-2069	128000-2810		G		Replaced by 128000-7070
1985	FB460V	12	0.7	21163-2070	128000-2890		GA		Replaced by 128000-6550
1986	4239	12	4.0	RE23900	128000-3690		F	9712800-369	
1986	6359T	12	4.0	RE23900	128000-3690		F	9712800-369	
COMBINES									
1989-1992	9400 w/ 6-539 Eng.	12	4.0	RE23900	128000-3690		F	9712800-369	
TRACTORS									
1983-1988	4050 w/ 6-359 Diesel Eng.	12	4.0	RE23900	128000-3690		F	9712800-369	
ALL APPLICATIONS									
1990	6076	12	4.0	RE43266	128000-5973		IIF	9712800-597	Replaced by 228000-2361
1990	6076	12	4.0	RE54416	128000-5973		IIF	9712800-597	Replaced by 228000-2361
1989	6076	12	4.0	RE38336	128000-5973		IIF	9712800-597	Replaced by 228000-2361
1985	FB460V	12	0.7	21163-2070	128000-6550		GA		



YEAR	ENGINE	VOLTS	KW	OEM PART NUMBER	NEW PART NUMBER	SOLENOID ANGLE	TYPE	REMAN PART NUMBER	APPLICATION INFORMATION
JOHN DEERE (continued)									
ALL APPLICATIONS									
1991	6076	24	7.5	RE38369	128000-7172		IIF		
1992	6076	12	4.0	RE39832	128000-7231		IIF		
HORIZON RIDING MOWER									
1989	Kohler A12	12	0.6		128000-7480		GA	9712809-748	
265 LAWN MOWER (FRONT AND WALK BEHIND), LAWN AND FARM TRACTOR, MISC. LAWN EQUIPMENT									
1992-1995	FC540V_	12	0.7	AM104559, AM108615	128000-7940		GA	9712809-794	Available in Reman Only
ENGINES									
1992	4219	12	2.5	RE40092	128000-8294		R	9712809-829	
1992	4219	12	2.5	RE54090	128000-8294		R	9712809-829	
1992	4219	12	2.5	RE59595	128000-8294		R	9712809-829	
1992	4039	12	2.5	RE59595	128000-8294		R	9712809-829	
1992	4045	12	2.5	RE59595	128000-8294		R	9712809-829	
1992	4239	12	2.5	RE59595	128000-8294		R	9712809-829	
1992	4276	12	2.5	RE59595	128000-8294		R	9712809-829	
1992	6329	12	2.5	RE59595	128000-8294		R	9712809-829	
ALL APPLICATIONS									
1991	6076	24	7.5	RE44515	128000-7172		IIF		
3014									
	3TN84	12	1.2	TY25233	228000-0251		RA	9722809-025	Available in Reman Only
3015									
	3TN84	12	1.2	TY25233	228000-0251		RA	9722809-025	Available in Reman Only
4019									
	3TN84	12	1.2	TY25233	228000-0251		RA	9722809-025	Available in Reman Only
ENGINES									
1992	4239	12	2.5	RE54091	228000-0844		R		Wet Clutch
1992	4239	12	2.5	RE59588	228000-0844		R		Wet Clutch
1991	4039 (300 Series)	12	2.5		228000-0844		R		Wet Clutch
UTILITY VEHICLE / MULE									
1992-1996	XUV620i	12	0.7	MIA10971	228000-2213		GA		
MR									
1993		12	4.0	RE54416	228000-2361		IIF		
1993	6076	12	4.0	RE54874	228000-2370		IIF		
ENGINES									
1991	4239	24	4.5	RE40595	128000-8304		R		
1994	6076	12	4.0	RE59589	228000-4601		IIF		
ENGINES									
	6466 w/ Eng. Code 3004 w/ Safety Cap On	12	4.0	RE59589	228000-4601		IIF		

STARTER APPLICATIONS



YEAR	ENGINE	VOLTS	KW	OEM PART NUMBER	NEW PART NUMBER	SOLENOID ANGLE	TYPE	REMAN PART NUMBER	APPLICATION INFORMATION
JOHN DEERE (continued)									
FORAGE HARVESTERS									
1986-1992	5730 w/ 6-466 Eng. w/ safety cap	12	4.0		228000-4601		IIF		
1986-1992	5830 w/ 6-466 Eng. w/ safety cap	12	4.0		228000-4601		IIF		
TRACTORS									
1989-1991	4955 w/ 6-466 Diesel Eng.	12	4.0	RE59589	228000-4601		IIF		
CONSTRUCTION									
1993	400 Series	24	7.5	RE55641	228000-2390		IIF		
1994	6081 (450 Series)	12	4.0	RE65100	228000-4631		R		
1994	6076	12	4.0	RE59583	228000-4690		IIF		
1994	6076	24	7.5	RE59585	228000-4611		IIF		
1995	6081 CNG (Compressed Natural Gas)	12	4.0	RE61406	228000-5280		R		
BLUE BIRD BUS									
1995-Up	8.1L CNG (Compressed Natural Gas)	12	4.0	1839281 (Blue Bird)	228000-5463		R		
1996	4239, DP10, ZP13	12	2.7	RE68470	228000-6471		R		
1997	6081 (450 Series)	12	4.0	RE69704	228000-6532		R		
1997	7600 (350 Series)	12	4.0	RE70473	228000-6541		R		
1996	350 Series	12	4.0	RE70474	228000-6551		R		
1994	6076	24	7.5	RE59584	228000-4730		IIF		
1996-1997	450 Series	24	7.5	RE69705	228000-6562		R		
1997	350 Series	24	7.5	RE70475	228000-6572		R		
1997	350 Series	24	7.5	RE70475	228000-6572		R		
TRACTORS									
	4510, 4610, 4710	12	2.0	AM879743, TY25234	228000-7111		RA	9722809-711	Available in Reman Only
1997	590	24	7.5	RE500199	228000-7012		R		
BLUEBIRD									
1997	6.8L CNG (Compressed Natural Gas)	12	4.0		228000-7491		R		
LOADER 350									
	350	12	4.0	RE501294	228000-7873		R	9722809-787	
1998	6466	12	4.0		228000-8083		R		
1998	6466	12	4.0		228000-8083		R		



YEAR	ENGINE	VOLTS	KW	OEM PART NUMBER	NEW PART NUMBER	SOLENOID ANGLE	TYPE	REMAN PART NUMBER	APPLICATION INFORMATION
JOHN DEERE (continued)									
NATURAL GAS BUS									
	6068	12	4.0	RE65817	228000-9020		R		
BACKHOE LOADER/SKIDDER									
2000-2002		12	4.0	RE504244	228000-9140		R		wet clutch
1997	350	24	7.5	RE501060	228000-7413		R		
350 SERIES ENG., LOADER									
	450	24	7.5	RE504245	228000-9151		R		
TRACTOR R5.0									
2006-	6090	12	5.0	RE520634	428000-3320		R		
9640WTS, 9660WTS, 9680WTS, 9640I WTS, 9660I WTS & 9680I WTS COMBINES									
	PowerTech	12	5.0	RE520634	428000-3320		R		
T660 & T670 COMBINES									
	PowerTech	12	5.0	RE520634	428000-3320		R		
C670 COMBINE									
		12	5.0	RE520634	428000-3320		R		
6090									
	PowerTech 9.0L	12	5.0	RE520634	428000-3320		R		
TRACTOR R5.0									
2006-	6090, 8330	12	5.0	RE528619	428000-4080		R		
8130, 8230, 8330, 8430 & 8530 TRACTORS									
	PowerTech Plus 9.0L	12	5.0	RE528619	428000-4080		R		
9230 TRACTORS									
	PowerTech Plus 9.0L	12	5.0	RE528619	428000-4080		R		
AGRICULTURE MACHINERY R5.0									
2006-	6135	12	5.0	RE525468	428000-5530		R		
COMBINE R5.0									
2006-	6135	12	5.0	RE534934	428000-5750		R		
WHEEL LOADERS									
	824J / 6125H	24	8.0	RE522852	428000-0131		P		
1986-1989	Industrial Tractor 770B	24	8.0	1990357	LAY42800-0060		P		
1986-1989	Industrial Tractor 772B (6466 Eng.)	24	8.0	1990357	LAY42800-0060		P		
1986-1989	Industrial Tractor 790D (6466 Eng.)	24	8.0	1990357	LAY42800-0060		P		
1986-1989	Industrial Tractor 850B (6619 Eng.)	24	8.0	1990357	LAY42800-0060		P		
1986-1989	Industrial Tractor 890A (6619 Eng.)	24	8.0	1990357	LAY42800-0060		P		
1986-1989	855	24	8.0	1990357	LAY42800-0060		P		
1986-1989	862B	24	8.0	1990357	LAY42800-0060		P		

STARTER APPLICATIONS



YEAR	ENGINE	VOLTS	KW	OEM PART NUMBER	NEW PART NUMBER	SOLENOID ANGLE	TYPE	REMAN PART NUMBER	APPLICATION INFORMATION
JOHN DEERE (continued)									
1986-1989	Industrial Tractor 770B (6466 Eng.)	24	8.0	1990357	LAY42800-0060		P		
1986-1989	Industrial Tractor 772B (6466 Eng.)	24	8.0	1990357	LAY42800-0060		P		
1986-1989	Industrial Tractor 790D (6466 Eng.)	24	8.0	1990357	LAY42800-0060		P		
1986-1989	Industrial Tractor 850B (6619 Eng.)	24	8.0	1990357	LAY42800-0060		P		
1986-1989	Industrial Tractor 890A (6619 Eng.)	24	8.0	1990357	LAY42800-0060		P		
1986-1989	855	24	8.0	1990357	LAY42800-0060		P		
1986-1989	862B	24	8.0	1990357	LAY42800-0060		P		
CRAWLER									
1984-86	850	24	8.0	1990357	LAY42800-0060		P		
1984-86	855	24	8.0	1990357	LAY42800-0060		P		
EXCAVATORS									
1984-86	890A	24	8.0	1990357	LAY42800-0060		P		
GRADER									
1984-86	772	24	8.0	1990357	LAY42800-0060		P		
INDUSTRIAL TRACTOR									
1984-86	770A	24	8.0	1990357	LAY42800-0060		P		
FOUR WHEEL LOADER									
1984	6404	12	4.0	RE13722	028000-3292		F	9702800-329	
1450									
1978		12	2.5	CH12096	028000-5662		R		
1650									
1978		12	2.5	CH12096	028000-5662		R		
1650 TRACTORS									
1984	3T90	12	2.5	121420-77011 (Yanmar)	128000-0793		R	9712809-079	
1250 TRACTORS									
1984	3T90	12	2.5	CH19285	128000-0793		R	9712809-079	
1650 TRACTORS									
1984	3T90	12	2.5	CH19285	128000-0793		R	9712809-079	
1984	3T90	12	2.5	CH19285	128000-0793		R	9712809-079	
TRACTORS									
1983-1988	4250 w/ 6-359 Diesel Eng.	12	4.0	RE23900	128000-3690		F	9712800-369	
1983-1988	4450 w/ 6-359 Diesel Eng.	12	4.0	RE23900	128000-3690		F	9712800-369	
SCRAPERS									
1984-86	862	24	8.0	1990357	LAY42800-0060		P		
MOTOR GRADERS									
	770A, 772A	24	7.5	RE44515	128000-7172		IIF		
EXCAVATORS									
	790, 792	24	7.5	RE44515	128000-7172		IIF		



YEAR	ENGINE	VOLTS	KW	OEM PART NUMBER	NEW PART NUMBER	SOLENOID ANGLE	TYPE	REMAN PART NUMBER	APPLICATION INFORMATION
JOHN DEERE (continued)									
ENGINE									
	4039, 4045	12	2.7	RE68470	228000-6471		R		
	PowerTech 4.5L	12	2.7	RE68470	228000-6471		R		
COMBINE									
	9650STS,	12	4.0	RE69704	228000-6532		R		
	9750STS								
	9660STS,	12	4.0	RE69704	228000-6532		R		
	9760STS								
ENGINE									
	PowerTech 8.1L	12	4.0	RE69704	228000-6532		R		
	AG								
SUGAR CANE HARVESTER									
	3510	12	4.0	RE69704	228000-6532		R		
TIER 1 NON-TRACTOR AG APPS									
	6081	12	4.0	RE69704	228000-6532		R		
7505 TRACTOR									
		12	4.0	RE70473	228000-6541		R		
7715, 7815 TRACTORS									
	350	12	4.0	RE501294	228000-7873		R	9722809-787	
6.8L POWERTECH PLUS									
	Engine	12	4.0	RE65817	228000-9020		R		
FELLER BUNCHER									
	693C	24	7.5	RE44515	128000-7172		IIF		
MOWERS & TRACTORS									
	Kohler F653, F655,	12	0.6	AM124993, AM131296	228000-2640			9722809-264	
	F665, F680, F687								
KAWASAKI HEAVY INDUSTRIES									
LAWN EQUIPMENT									
	FH500V 18, 20,	12	0.6	21163-7026	228000-7990		GA	9722809-799	Available in Reman Only
	23, 25hp								
1988		12	0.6	21163-2089	128000-7050		GA		
1988		12	0.6	21163-2085	128000-7070		G		
MULE 500									
1990	286cc	12	0.6	21163-2109	128000-9980		GA	9712809-998	
UTILITY VEHICLE / MULE									
1992-1996	KAF620	12	0.7	21163-2118	228000-2213		GA		
KENWORTH									
ALL									
2004-2006	CAT C13	12	5.0		428000-4420		R		
2000-2006	CAT C15	12	5.0		428000-4420		R		
1998-2006	Cummins ISM	12	5.0		428000-4420		R		
1994-1998	Cummins M11	12	5.0		428000-4430		R		

STARTER APPLICATIONS



YEAR	ENGINE	VOLTS	KW	OEM PART NUMBER	NEW PART NUMBER	SOLENOID ANGLE	TYPE	REMAN PART NUMBER	APPLICATION INFORMATION
KENWORTH (continued)									
ALL (continued)									
1994-2003	Detroit Series 60	12	5.0		428000-4430		R		
1994-2002	Cummins N14	12	5.0		428000-4440		R		
1999-2006	Cummins ISX	12	5.0		428000-5190		R		
K100									
1983	Cummins NTC	24	8.0	1114880, 1114907	LAY42800-0070	308	P		
1983	Cummins F Engine	24	8.0	1114880, 1114907	LAY42800-0070	308	P		
1983	Cummins 855	24	8.0	1114880, 1114907	LAY42800-0070	308	P		
1983	DDAD	24	8.0	1114880, 1114907	LAY42800-0070	308	P		
T600A									
1986-1988	CAT 3306	24	8.0	1990491	LAY42800-0070	88	P		
1986-1988	CAT 3406	24	8.0	1990491	LAY42800-0070	88	P		
1986-1988	Cummins 855	24	8.0	1990491	LAY42800-0070	88	P		
1986-1988	DDAD 6V-92	24	8.0	1990491	LAY42800-0070	88	P		
W900									
1986-1988	CAT 3306	24	8.0	1990491	LAY42800-0070	88	P		
1986-1988	CAT 3406	24	8.0	1990491	LAY42800-0070	88	P		
1986-1988	Cummins 855	24	8.0	1990491	LAY42800-0070	88	P		
ALL									
1991-1994	Cummins B Series	12	2.7	1113276	428000-0191		P		
T300									
1995-1999	CAT 3126	12	2.7	1113276	428000-0191		P		Replaced by 428000-1600
1995-1999	Cummins B Series	12	2.7	1113276	428000-0191		P		Replaced by 428000-1600
W900									
1986-1988	DDAD 6V-92	24	8.0	1990491	LAY42800-0070	88	P		
2007-	PACCAR PX-6	12	3.0		428000-5120				
KOHLER									
1981	K582	12	0.8	4809803	028000-7610		G		
1982	KDL20	12	1.4	6109801	028000-8251		R		
1987	M18	12	0.7	5209808	128000-4520		GA		
1987	M20	12	0.7	5209808	128000-4520		GA		
J. DEERE HORIZON MOWER									
1989	A12	12	0.6	1209803	128000-7480		GA	9712809-748	
1996	D1005	12	1.0	16612-63012	228000-0790		R	9722809-079	Available in Reman Only



YEAR	ENGINE	VOLTS	kW	OEM PART NUMBER	NEW PART NUMBER	SOLENOID ANGLE	TYPE	REMAN PART NUMBER	APPLICATION INFORMATION
KOHLER (continued)									
KUBOTA D-26									
1992	V1505	12	1.2	37560-63011	228000-0981		RA	9722809-098	Available in Reman Only
1993	C18	12	0.6	2409801	228000-2640		GA	9722809-264	
1995	MV20	12	0.7	5209814	228000-5160		GA		
1996	0HC16	12	0.6	2909802	228000-6300		GA		
KOMATSU									
BULLDOZERS									
1979-Up	D10 w/ 2D94 Eng.	12	1.4	600-813-1560	028000-5780		R		
CRAWLERS									
1979-Up	D10 w/ 2D94 Eng.	12	1.4	600-813-1560	028000-5780		R		
D10									
1979	2D94	12	1.4	600-813-1560	028000-5780		R		
EXCAVATORS									
1979-Up	PC20 w/ 2D94 Eng.	12	1.4	600-813-1560	028000-5780		R		
MISC. EQUIPMENT									
1979-Up	JW33ZS w/ 2D94 Eng.	12	1.4	600-813-1560	028000-5780		R		
PC02									
1979	2D94	12	1.4	600-813-1560	028000-5780		R		
PC04									
1979	2D94	12	1.4	600-813-1560	028000-5780		R		
EG15									
1980	2D94	12	1.4	600-813-1570	028000-6190		R		
EG155									
1980	2D94	12	1.4	600-813-1570	028000-6190		R		
EXCAVATORS									
1980-Up	PC10 w/ 2D94 Eng.	12	1.4	600-813-1570	028000-6190		R		
1981-Up	PC40 w/ 3D94 Eng.	12	2.5	600-813-1610	028000-7543		R		
PC40									
1981	3D94	12	2.5	600-813-1610	028000-7543		R		
FD40									
1984	4D52	24	4.5	600-813-3240	128000-1002		R	280-7034	
1984	P106	24	4.5	600-813-3240	128000-1002		R	280-7034	
LIFT TRUCK									
1985-Up	FD40 w/ 4D52 Eng. w/ dry clutch	24	4.5	600-813-3240	128000-1002		R	280-7034	
1985-Up	FD40 w/ 4D52 Eng. w/ dry clutch	24	4.5	600-813-3240	128000-1002		R	280-7034	

STARTER APPLICATIONS



YEAR	ENGINE	VOLTS	KW	OEM PART NUMBER	NEW PART NUMBER	SOLENOID ANGLE	TYPE	REMAN PART NUMBER	APPLICATION INFORMATION
KOMATSU (continued)									
FD40									
1984	4D52	24	4.5	600-813-3250	128000-1012		R	280-7035	
1984	P106	24	4.5	600-813-3250	128000-1012		R	280-7035	
LIFT TRUCK									
1985-Up	FD40 w/ 4D52 Eng. w/ wet clutch	24	4.5	600-813-3250	128000-1012		R	280-7035	
EC35Z(S)-2									
1990	3D95S	12	2.0		128000-3101		R		
EXCAVATORS									
1988-1992	PC50 w/ 3D95S Eng.	12	2.0		128000-3101		R		
G-IG00									
1991		12	1.4	3EB01-A3320	128000-9670		IIR		
MISC. EQUIPMENT									
1991	G-IG00	12	1.4	3EB01-A3320	128000-9670		IIR		
LIFT TRUCK									
1991-Up	FD20 w/ 4D95S Eng. w/ wet Clutch	12	2.5	600-813-1410	128000-9960		R	280-7037	Available in Reman Only
1991-Up	FD20 w/ 4D95S Eng. w/ wet Clutch	12	2.5	600-813-1410	128000-9960		R	280-7037	Available in Reman Only
FD20									
1991		12	2.5	600-813-1420	128000-9972		R		
LIFT TRUCK									
1991-Up	FD20 w/ 4D95S Eng. w/ dry Clutch	12	2.5	600-813-1420	128000-9972		R		
1991-Up	FD20 w/ 4D95S Eng. w/ dry Clutch	12	2.5	600-813-1420	128000-9972		R	280-7036	
1991	4D95L	12	2.5	600-813-1430	228000-0190		R		
LIFT TRUCK									
1985-Up	FD40 w/ 4D52 Eng. w/ wet clutch	24	4.5	600-813-3250	128000-1012		R	280-7035	
1992	6D95L	24	4.5	600-813-4470	228000-1431		R	280-7039	
1992	FD40	24	4.5	600-813-4470	228000-1431		R	280-7039	
1992	S6D95	24	4.5	600-813-4460	228000-1444		R	9722809-144	
1992	S6D95	24	4.5	600-813-4461	228000-1444		R	9722809-144	
1994	4TNE88	12	1.4	YM 129407-77010	228000-3732		RA	9722809-373	Available in Reman Only
CRAWLERS									
1994	Dozer w/ 6B Cummins Eng.	12	2.7	1308066H91	228000-4671		R	9722809-467	
DOZER									
1994	Cummins 6B	12	2.7	1308066H91	228000-4671		R	9722809-467	



YEAR	ENGINE	VOLTS	kW	OEM PART NUMBER	NEW PART NUMBER	SOLENOID ANGLE	TYPE	REMAN PART NUMBER	APPLICATION INFORMATION
KOMATSU (continued)									
LIFT TRUCK									
1993-Up	FD70 w/ 6D105 Eng.	24	5.5	600-813-4490	228000-2470		R	280-7038	
D41-E									
1996	6B1 (wet)	24	4.5	60086-Up34111	228000-4992		R	9722809-499	
1995	Cummins 6B	24	5.5	600-863-5110	228000-5003		R	9722809-500	
BULLDOZERS									
1995	6B Cummins Eng.	24	5.5	600-863-5110	228000-5003		R	9722809-500	
1996	2TN66E	12	0.8	YM119255-77010	228000-5750		P	9722809-575	Available in Reman Only
CRAWLERS									
1995	Dozer w/ 6B Cummins Eng.	24	5.5	600-863-5110	228000-5003		R	9722809-500	
WA120									
1997	Cummins 4B	24	4.5		228000-6641		R	9722809-664	Wet Clutch
1997	Cummins 6B	24	4.5		228000-6641		R	9722809-664	Wet Clutch
WA180									
1997	Cummins 4B	24	4.5		228000-6641		R	9722809-664	Wet Clutch
1997	Cummins 6B	24	4.5		228000-6641		R	9722809-664	Wet Clutch
WA250									
1997	Cummins 4B	24	4.5		228000-6641		R	9722809-664	Wet Clutch
1997	Cummins 6B	24	4.5		228000-6641		R	9722809-664	Wet Clutch
WA253									
1997	Cummins 4B	24	4.5		228000-6641		R	9722809-664	Wet Clutch
1997	Cummins 6B	24	4.5		228000-6641		R	9722809-664	Wet Clutch
510C									
1997	Cummins 6B	24	4.5	3920644	228000-6671		R	9722809-667	Wet Clutch
515C									
1997	Cummins 6B	24	4.5	3920644	228000-6671		R	9722809-667	Wet Clutch
CRMEADRSR									
1999-2002	6B1 (wet)	12	4.0	1439963H91	228000-8520		R	9722809-852	
4D95L									
1999-2002	Cummins B3.3L	12	2.0	600-863-1310	228000-9010		R	280-8022	
2003-	Cummins B3.3L	12	2.2	600-863-1410	428000-2650		R	280-8023	
520C									
1997	Cummins 6B	24	4.5	3920644	228000-6671		R	9722809-667	Wet Clutch
SCRAPER									
1987-1989	412B (Cummins 6CT-8.3)	24	8.0	1993796	LAY42800-0060		P		
TRACK-TYPE TRACTOR									
1987-1989	TD-12 (Cummins 6C 8.3)	24	8.0	1993796	LAY42800-0060		P		

STARTER APPLICATIONS



YEAR	ENGINE	VOLTS	KW	OEM PART NUMBER	NEW PART NUMBER	SOLENOID ANGLE	TYPE	REMAN PART NUMBER	APPLICATION INFORMATION
KOMATSU (continued)									
TRACK-TYPE TRACTOR (continued)									
1987-1989	TD-15C (Cummins 6CT-8.3)	24	8.0	1993796	LAY42800-0060		P		
WHEEL LOADER									
1987-1989	530/540 (Cummins 6CT-8.3)	24	8.0	1993796	LAY42800-0060		P		
TRACK LOADER									
1987-1989	250E (Cummins LTA-10C)	24	8.0	1114846	LAY42800-0070	308	P		
TRACK-TYPE TRACTOR									
1987-1989	TD20G (Cummins LTA-10C)	24	8.0	1114846, 1114958	LAY42800-0070	308	P		
1987-1989	TD-25G (Cummins KT1150C)	24	8.0	1114846, 1114958	LAY42800-0070	308	P		
1987-1989	TD-40 (Cummins KT1150C)	24	8.0	1114846, 1114958	LAY42800-0070	308	P		
KUBOTA									
L1802									
1979	D1100	12	1.0	15321-63016	028000-3611		F	9702809-843	Replaced by 028000-8434
1979	D1101	12	1.0	15321-63016	028000-3611		F	9702809-843	Replaced by 028000-8434
1979	D1102	12	1.0	15321-63016	028000-3611		F	9702809-843	Replaced by 028000-8434
M5000									
1976	V1500	12	1.4	15401-63011	028000-4201				Replaced by 228000-1020
1976	ZB500	12	0.8	15271-63011	028000-4520		G		Replaced by 028000-7471
M4000H									
1976	D3000	12	2.5	15451-63014	028000-5004		R	9702809-500	Available in Reman Only
M4000H									
1978	S2600	12	2.5	15611-63011	028000-6063		R	9702809-606	Available in Reman Only
M4950									
1979	S2600	12	1.4	15601-63012	028000-6250		R		Replaced by 228000-1070
1979	S2800	12	1.4	15601-63012	028000-6250		R		Replaced by 228000-1070
L2202									
1979	D1402	12	1.4	19212-63011	028000-6261		R	9702809-626	Available in Reman Only
RX700									
1979	E70-NB1	12	0.8	15521-63012	028000-7133		G	9702809-713	Available in Reman Only
B1600									
1981	D950	12	0.8	15231-63015	028000-7462		G	9702809-746	Available in Reman Only
1981	Z600C-1	12	0.8	15231-63015	028000-7462		G	9702809-746	Available in Reman Only
B1702									
1981	D950	12	0.8	15231-63015	028000-7462		G	9702809-746	Available in Reman Only
1981	Z600C-1	12	0.8	15231-63015	028000-7462		G	9702809-746	Available in Reman Only



YEAR	ENGINE	VOLTS	kW	OEM PART NUMBER	NEW PART NUMBER	SOLENOID ANGLE	TYPE	REMAN PART NUMBER	APPLICATION INFORMATION
KUBOTA (continued)									
RX1100									
1981	D950	12	0.8	15231-63015	028000-7462		G	9702809-746	Available in Reman Only
1981	Z600C-1	12	0.8	15231-63015	028000-7462		G	9702809-746	Available in Reman Only
NX1100									
1981	ZB500C	12	0.8	16097-61361	028000-7471		G	9702809-747	Available in Reman Only
L1501									
1981	Z751	12	0.8	15221-63016	028000-7481		G	9702809-748	Available in Reman Only
M6950									
1981	V4000-2	12	2.5	15481-63013	028000-7733		R	9702809-773	Available in Reman Only
1981	V4300	12	2.5	15481-63013	028000-7733		R	9702809-773	Available in Reman Only
M7950									
1981	V4000-2	12	2.5	15481-63013	028000-7733		R	9702809-773	Available in Reman Only
1981	V4300	12	2.5	15481-63013	028000-7733		R	9702809-773	Available in Reman Only
M9550									
1981	V4000-2	12	2.5	15481-63013	028000-7733		R	9702809-773	Available in Reman Only
1981	V4300	12	2.5	15481-63013	028000-7733		R	9702809-773	Available in Reman Only
RX900									
1979	ZB400C	12	0.8	14601-63011	028000-7781		R	9702809-778	Available in Reman Only
D1402									
1979	D1402	12	2.5	15527-63011	028000-7803		R	9702809-780	Available in Reman Only
B1900									
1981	DM1102	12	1.0	15504-63011	028000-8321		R	9702809-832	Available in Reman Only
		12	1.0	15321-63016	028000-8434		R	9702809-843	Available in Reman Only
		12	1.0	15321-63016	028000-8434		R	9702809-843	Available in Reman Only
KC15									
1982	DH1102BS	12	1.0	15501-63012	028000-8434		R	9702809-843	Available in Reman Only
KND3200E									
1981	KND3200E	12	2.5	14182-63011	028000-8843		R	9702809-884	Available in Reman Only
ADR4JL									
1982	V1902	12	2.0	15425-63011	028000-9032		RA	9722809-457	Replaced by 228000-4572
1983	D950-B	12	0.8	19293-63011	028000-9570		G	9702809-746	Replaced by 028000-7462, Available in Reman Only
1987	D850	12	1.4	19269-63011	128000-0050		IIR	9722809-099	Available in Reman Only
1987	D1402	12	1.4	15621-63012	128000-0071		IIR	9712809-007	Available in Reman Only
1987	S2800	12	1.4	15621-63012	128000-0071		IIR	9712809-007	Available in Reman Only
1987	D1302	12	1.4	15461-63012	128000-0170		IIR	9722809-102	Available in Reman Only
1987	S2200	12	1.4	15461-63012	128000-0170		IIR	9722809-102	Available in Reman Only
1987	V1502	12	1.4	15461-63012	128000-0170		IIR	9722809-102	Available in Reman Only
1987	D1302	12	1.4	15511-63011	128000-0181		IIR	9712809-018	Available in Reman Only
1987	V1501	12	1.4	15511-63011	128000-0181		IIR	9712809-018	Available in Reman Only
1990	F2302	12	1.4	17381-63013	128000-1161		RA	9722809-104	Available in Reman Only
1984	F2302-D1	12	1.4	17381-63011	128000-1470		IIR	9712809-147	Available in Reman Only
1984	L3750	12	1.4	17381-63011	128000-1470		IIR	9712809-147	Available in Reman Only
1984	L4150	12	1.4	17381-63011	128000-1470		IIR	9712809-147	Available in Reman Only

STARTER APPLICATIONS



YEAR	ENGINE	VOLTS	KW	OEM PART NUMBER	NEW PART NUMBER	SOLENOID ANGLE	TYPE	REMAN PART NUMBER	APPLICATION INFORMATION
KUBOTA (continued)									
1990	ER1900	12	2.0	19508-63011	128000-1691		R	9712809-169	Available in Reman Only
1989	V1902B	12	1.4	19616-63011	128000-2131		RA	9722809-105	Available in Reman Only
1990	V1502B	12	2.0	15833-63011	128000-2161		R	9712809-216	Available in Reman Only
1986	V1200A	12	1.0	15504-63010	128000-3591		R	9712809-359	Available in Reman Only
GH400V									
1987		12	0.6	12106-63010	128000-4870		GA	9712809-487	Available in Reman Only
1988									
	V1405B	12	1.2	16271-63013	128000-5261		RA	9722809-095	Available in Reman Only
GARDEN TRACTOR									
1987-1992	Kawasaki	12	0.6	21163-2077	128000-5500		GA	9712809-550	Available in Reman Only
LAWN TRACTOR									
1987	T1760 2 cyl.	12	0.6	21163-2077	128000-5500		GA	9712809-550	Available in Reman Only
LX 178 LAWN TRACTOR									
1991-Up		12	0.6		128000-5500		GA	9712809-550	Available in Reman Only
LX 188 LAWN TRACTOR									
1992-Up		12	0.6		128000-5500		GA	9712809-550	Available in Reman Only
1989									
	D1102	12	1.0	17311-63012	128000-6623		R	9712809-662	Available in Reman Only
1988	V1502	12	1.4	17341-63011	128000-6640		IIR	9722809-108	Available in Reman Only
1989	D1462	12	1.2	17331-63012	128000-6843		R	9712809-684	Available in Reman Only
1988	OC62-D	12	0.7	11420-63013	128000-7110		GA	9712809-711	Available in Reman Only
1987	X694-D	12	0.6	12182-63011	128000-7150		GA	9712809-715	Available in Reman Only
1989	D1462	12	1.2	34070-16801	128000-8460		RA	9712809-846	Available in Reman Only
1989	G266	12	1.2	11460-63011	128000-8481		RA	9712809-848	Available in Reman Only
1989	GF400V-E	12	0.7	12106-63011	128000-8540		GA	9712809-854	Available in Reman Only
D722									
1991		12	1.0	16871-63011	128000-9951		R	9712809-995	Available in Reman Only
1991									
	V2203-B	12	1.4	16661-63013	228000-0664		RA	9722809-066	Available in Reman Only
1991	V2203	12	2.0	16652-63012	228000-0691		R	9722809-475	Available in Reman Only
1992	EA11-KB2	12	1.4	11197-63012	228000-0763		RA	9722809-076	Available in Reman Only
1992	D1005	12	1.0	16612-63011	228000-0791		R	9722809-079	Available in Reman Only
1992	V1405	12	1.2	16285-63011	228000-0951		RA	9722809-095	Available in Reman Only
1992	D905-H	12	1.0	67955-59211	228000-0961		R	9722809-096	Available in Reman Only
1992	V1205	12	1.2	16695-63012	228000-0970		RA	9722809-097	Available in Reman Only
1992	V1505, D-26	12	1.2	37560-63011	228000-0981		RA	9722809-098	Available in Reman Only
1992	D850	12	1.4	19269-63012	228000-0991		RA	9722809-099	Available in Reman Only
1992	S2200	12	1.4	15621-63014	228000-1000		RA	9722809-100	Available in Reman Only
1992	S2800	12	1.4	15621-63014	228000-1000		RA	9722809-100	Available in Reman Only
1992	V1502	12	1.4	15461-63013	228000-1022		RA	9722809-102	Available in Reman Only
1992	E70-NB2	12	1.4	14279-63011	228000-1032		RA	9722809-103	Available in Reman Only
1992	F2302	12	1.4	17381-63014	228000-1041		RA	9722809-104	Available in Reman Only
1992	V1902	12	1.4	19616-63012	228000-1052		RA	9722809-105	Available in Reman Only
1992	ZB600C	12	1.4	19215-63012	228000-1060		RA	9722809-106	Available in Reman Only
1992	V2202	12	1.4	19013-63012	228000-1071		RA	9722809-107	Available in Reman Only
1992	V2202	12	1.4	25-39135-00 (Carrier)	228000-1071		RA	9722809-107	Available in Reman Only
1992	V1502	12	1.4	17341-63013	228000-1082		RA	9722809-108	Available in Reman Only



YEAR	ENGINE	VOLTS	kW	OEM PART NUMBER	NEW PART NUMBER	SOLENOID ANGLE	TYPE	REMAN PART NUMBER	APPLICATION INFORMATION
KUBOTA (continued)									
1992	D905-B	12	1.4	16611-63012	228000-1531		RA	9722809-153	Available in Reman Only
1992	EA11-NIB	12	1.4	11173-63011	228000-1841		RA	9722809-184	Available in Reman Only
1993	DG1105	12	1.0	E8015-63011	228000-2603		R	9722809-260	Available in Reman Only
1994	V1505	12	1.4	19090-17861	228000-3661		RA	9722809-366	Available in Reman Only
1994	V1902	12	2.0	15425-63014	228000-4572		RA	9722809-457	Available in Reman Only
1994	V1502B	12	2.0	15833-63014	228000-4581		RA	9722809-458	Available in Reman Only
1994	F2803	12	2.0	17123-63013	228000-4593		RA	9722809-459	Available in Reman Only
1994	F2803	12	2.0	17121-63013	228000-4741		RA	9722809-474	Available in Reman Only
1994	V2203	12	2.0	16652-63013	228000-4752		RA	9722809-475	Available in Reman Only
1995	GH400V	12	1.0	16617-63011	228000-4870		P	9722809-487	Available in Reman Only
1995	GH400G	12	0.7	12951-63012	228000-4910		GA	9722809-491	Available in Reman Only
1995	D1403	12	1.4	17298-63011	228000-4920		RA	9722809-492	Available in Reman Only
XFM-3									
1996	XFM-3	12	1.0	K3511-8411	228000-5400		P	9722809-540	Available in Reman Only
1996	D11	12	0.8	6A100-31151	228000-5590		P	9722809-559	Available in Reman Only
1997	V2203	12	2.0	19460-63013	228000-6952		RA	9722809-695	Available in Reman Only
	V2203	12	2.0	1G911-63011	428000-0930		RA	9742809-093	Available in Reman Only
GENERATOR									
	D1005	12	1.4	17423-63012	228000-7610		RA	9722809-761	Available in Reman Only
1987	V1200	24	1.4	19883-63011	128000-5411		R	9712809-541	Available in Reman Only
R400 LOADERS									
	V1902	12	2.0	15833-63012, 17121-63012	128000-8550		R	9712809-855	Available in Reman Only
TRACTOR, MOWER									
	D722 & D782	12	1.0	67980-31151	228000-5910		P	9722809-591	Available in Reman Only
UTILITY VEHICLE									
	RTV900	12	1.2	K7561-61811	428000-2640		RA	9742809-264	Available in Reman Only
ENGINES									
	V1902-B	24	4.5	19872-63013	128000-4780		R	9712809-478	Available in Reman Only
TRACTOR G1860 & G2160									
	D722	12	0.8	1G023-63010	228000-7480			9722809-748	Available in Reman Only
TRACTOR E22 & L4400									
	D1503	12	1.4	T1150-16800	228000-9800			9722809-980	Available in Reman Only
LAWN MOWER ZD25, ZD28 & ZD331									
	D1105	12	1.1	1G069-63010	428000-1160			9742809-116	Available in Reman Only
LISTER PETTER									
LIFT TRUCK									
	LPWS 4LP	12	2.0	757-26450	228000-5791		RA	280-8021	Available in Reman Only
MACK									
ALL									
1997-2006	Mack E-Tech	12	5.0		428000-4430		R		
1994-1996	Mack E-7	12	5.0		428000-4430		R		



YEAR	ENGINE	VOLTS	KW	OEM PART NUMBER	NEW PART NUMBER	SOLENOID ANGLE	TYPE	REMAN PART NUMBER	APPLICATION INFORMATION
MACK (continued)									
1988-1990	All (Exc. E9, EC9)	24	8.0	1990418	LAY42800-0070	38	P		
1988-1990	DMM600EX, 6006S, EX (EM6-725L)	24	8.0	1990418	LAY42800-0070	38	P		
1986-1988	F700 (88-86) 24	24	8.0	1114878	LAY42800-0070	308	P		
1986-1988	MC600, MR600, MH600	24	8.0	1990418	LAY42800-0070	38	P		
1986-1988	U600, 700	24	8.0	1990418	LAY42800-0070	38	P		
1990	DMM600EX, 6006EX (EM6-275L)	24	8.0	1990418	LAY42800-0070	38	P		
CH602/603									
1988-1990	EM7-300 (Opt.)	24	8.0	1990418	LAY42800-0070	38	P		
DM SERIES									
1984-85	All 24	24	8.0	1990418	LAY42800-0070	38	P		
1983	EM6-237	24	8.0	1114878	LAY42800-0070	308	P		
DM600S/SX/X									
1988-1990	EM7-300 (Opt.)	24	8.0	1990418	LAY42800-0070	38	P		
DMM SERIES									
1984-85	All 24	24	8.0	1990418	LAY42800-0070	38	P		
F SERIES									
1983	EM6-237	24	8.0	1114878	LAY42800-0070	308	P		
M SERIES									
1984-85	All 24	24	8.0	1990418	LAY42800-0070	38	P		
1983	EM6-237	24	8.0	1114878	LAY42800-0070	308	P		
MH SERIES									
1988-1990	EM7-300 (Opt.) 24 (90)	24	8.0	1990418	LAY42800-0070	38	P		
MR SERIES									
1988-1990	EM7-300 (Opt.) 24 (90)	24	8.0	1990418	LAY42800-0070	38	P		
R AND U SERIES									
1984-85	All 24	24	8.0	1990418	LAY42800-0070	38	P		
R SERIES									
1988-1990	EM7-300 (Opt.) 24 (90)	24	8.0	1990418	LAY42800-0070	38	P		
1986-1988	Exc. NTC-300	24	8.0	1114878	LAY42800-0070	308	P		
1983	NTC-300	24	8.0	1114878	LAY42800-0070	308	P		
U SERIES									
1983	EM6-237	24	8.0	1114878	LAY42800-0070	308	P		
MAZDA									
1992-Up	TF Mazda	12	2.2	TMSK-18-400			OSGR	280-9023	Available in Reman Only



YEAR	ENGINE	VOLTS	kW	OEM PART NUMBER	NEW PART NUMBER	SOLENOID ANGLE	TYPE	REMAN PART NUMBER	APPLICATION INFORMATION
MELROE-BOBCAT									
853 SKID LOADER									
	Isuzu	12	2.7	6665324	228000-4940		R		For service starting 7/96, Replaced by 228000-4941
873 SKID LOADER									
	Deutz 2.8L	12	2.7	6665324	228000-4940		R		For service starting 7/96, Replaced by 228000-4941
853 SKID LOADER									
	Isuzu	12	2.7	6665324	228000-4941		R		
873 SKID LOADER									
	Deutz 2.8L	12	2.7	6665324	228000-4941		R		
653 SKID LOADER									
1995	Peugeot 1.9L	12	2.7	6665654	228000-5211		R		
751 SKID LOADER									
1995	Peugeot 1.9L	12	2.7	6665654	228000-5211		R		
SPRAY COUPE									
1995	Perkins 1004	12	2.7	6665654	228000-5211		R		
953 SKID LOADER									
1995	Perkins 4.236	12	3.0	6667320	228000-5512		R		
963 SKID LOADER									
1995	Perkins 4.236	12	3.0	6667320	228000-5512		R		
863 SKID LOADER									
1996	Deutz 2.8L	12	3.0	6667825	228000-5731		R		
873 SKID LOADER									
1996		12	3.0	6667825	228000-5731		R		
653 SKID LOADER									
1996	Peugeot 1.9L	12	1.4	6667987	228000-5741		RA		
751 SKID LOADER									
1996	Peugeot 1.9L	12	1.4	6667987	228000-5741		RA		
753 SKID LOADER									
1996	Kubota 2.2L	12	2.7	6667587	228000-5811		R		
763 SKID LOADER									
1996	Kubota 2.2L	12	2.7	6667587	228000-5811		R		
773 SKID LOADER									
1996	Kubota 2.2L	12	2.7	6667587	228000-5811		R		
MINI-EXCAVATOR #320									
1997	Kubota .722L	12	1.4	6669633	228000-6651		RA		
MINI-EXCAVATOR #337									
1997	Kubota 2.2L	12	2.0	6670727	228000-6921		RA		
MINI-EXCAVATOR #325									
1997	Kubota 1.7L	12	2.0	6670727	228000-6921		RA		
MINI-EXCAVATOR #331									
1997	Kubota 2.2L	12	2.0	6670727	228000-6921		RA		



YEAR	ENGINE	VOLTS	KW	OEM PART NUMBER	NEW PART NUMBER	SOLENOID ANGLE	TYPE	REMAN PART NUMBER	APPLICATION INFORMATION
MELROE-BOBCAT <i>(continued)</i>									
MINI EXCAVATOR #331									
2003-2006	Kubota V2203	12	2.0	6681858	428000-2070		RA	9742809-207	Available in Reman Only
MERCEDES									
2002	Mercedes 904	12	2.7		428000-0310		R		
2002	Mercedes 904	12	2.7		428000-0310		R		
2002	Mercedes 906	12	4.0		428000-1881		R		
MITSUBISHI									
6DS30									
1975		24	4.5	ME022330-01	028000-2842		F		
1975		24	4.5	ME022330-02	028000-2842		F		
6DS50									
1975		24	4.5	ME022330-01	028000-2842		F		
1975		24	4.5	ME022330-02	028000-2842		F		
6DS70									
1975		24	4.5	ME022330-01	028000-2842		F		
1972	PB	12	0.8	180020	028000-2890		F		
1978	910	12	4.0	9X-0354	028000-5961		F		
1978	931	12	4.0	9X-0354	028000-5961		F		
1978	D3	12	4.0	9X-0354	028000-5961		F		
1992	3G83	12	0.7	MD184420	228000-1870		GA		
6DS70									
1975		24	4.5	ME022330-02	028000-2842		F		
1986	S4S	12	2.7	32A66-02100	428000-1660		R	9742809-166	Available in Reman Only
	FEE	24	5.0	34766-20900			OSGR	280-9024	Available in Reman Only
MITSUI-DEUTZ									
ENGINES									
1973-1981	F2L912	12	1.4	04401561	028000-2442		F		
1981	F2L912	12	2.5	04410711	028000-6340		R		
1981	F2L912	12	2.0	04410780	028000-7741		R		
1981	F2L912	12	2.0	04410780	028000-7741		R		
1992	3G83	12	0.7	MD184420	228000-1870		GA		
MOTOR COACH									
1986-1992	96A2/3	24	8.0	1990418	LAY42800-0070	38	P		
1986-1992	102/3	24	8.0	1990418	LAY42800-0070	38	P		
1986-1992	102C3 (6V-92T)	24	8.0	1990418	LAY42800-0070	38	P		
1980-1981	All (Exc. T-30)	24	8.0	1113975, 1114874	LAY42800-0070	308	P		
1970-1979	All	24	8.0	1113952, 1113975	LAY42800-0070	308	P		
1982	MC-9 (6V-92T)	24	8.0	1114878	LAY42800-0070	308	P		
1967	All	24	8.0	1113952	LAY42800-0070	308	P		



YEAR	ENGINE	VOLTS	kW	OEM PART NUMBER	NEW PART NUMBER	SOLENOID ANGLE	TYPE	REMAN PART NUMBER	APPLICATION INFORMATION
NAVISTAR									
	T444E	12	4.0	3520840C91	228000-7371		R	280-8020	
	6.9L A/T & M/T	12	4.0		228000-8410		R	280-8007	
	7.3L A/T & M/T	12	4.0		228000-8410		R	280-8007	
POWERSTROKE									
1995-2000	7.3L Direct Injection A/T & M/T	12	4.0		228000-8420		R	280-8008	
	DT466	12	4.0		228000-8510		R	280-8011	
STRIPPED CHASSIS									
2002	VT365	12	4.0	3591688C91	428000-0071		R		
1986-1987	DT466E Paystar-All	12 24	4.0 8.0	3595800C91 1990344	428000-2690 LAY42800-0070	38	R P		Wet Clutch, Ground Stud
S-SERIES									
1986-1987	2375, 2575 (Cummins L10)	24	8.0	1990344	LAY42800-0070	38	P		
TRANSTAR									
1986-1987	NTC-300/NTC-350/ NTC-400	24	8.0	1990344	LAY42800-0070	38	P		
1986-1987	FMULA300, FMULA350	24	8.0	1990344	LAY42800-0070	38	P		
1986-1987	6V-92	24	8.0	1990344	LAY42800-0070	38	P		
1986-1987	8V-71	24	8.0	1990344	LAY42800-0070	38	P		
NEW FLYER IND.									
BUS									
	DT50 (CNG)	24	8.0	1993788	LAY42800-0070		P		
NEW HOLLAND									
BALER									
1981	Kohler	12	0.8	4809803 (Kohler)	028000-7610		G		
TM13									
1985	Teledyne 1.3, 2.0L Gas	12	1.4	TMD13M-501 (Teledyne)	128000-2960		IIR		
NISSAN									
NFG101									
1975-1996	D11	12	1.0	23300-48301	281-9000		DD	280-9000	
VARIOUS									
1980-1985	P40	12	0.8	23300-U0100	281-9004		DD	280-9004	
F03									
1989-Up	TB42	12	1.4	23300-52H00	281-9005		OSGR	280-9005	
F01									
1975-Up	SD22	12	1.6	23300-L1800	281-9006		DD	280-9006	
F02									
1984-Up	SD25	12	1.6	23300-L1800	281-9006		DD	280-9006	



YEAR	ENGINE	VOLTS	KW	OEM PART NUMBER	NEW PART NUMBER	SOLENOID ANGLE	TYPE	REMAN PART NUMBER	APPLICATION INFORMATION
NISSAN (continued)									
H01									
1986-Up	SD25	12	1.6	23300-L1800	281-9006		DD	280-9006	
H02									
1986-Up	SD25	12	1.6	23300-L1800	281-9006		DD	280-9006	
QF02									
1980-Up	SD23	12	1.6	23300-L1800	281-9006		DD	280-9006	
1972-Up	SD22	12	1.6	23300-L1800	281-9006		DD	280-9006	
VARIOUS									
1979-Up	SD22	12	1.6	23300-L1800	281-9006		DD	280-9006	
1979-Up	SD23	12	1.6	23300-L1800	281-9006		DD	280-9006	
1979-Up	SD25	12	1.6	23300-L1800	281-9006		DD	280-9006	
H01									
1986-Up	SD25	12	2.0	23300-83W00	281-9007		OSGR	280-9007	
H02									
1986-Up	SD25	12	2.0	23300-83W00	281-9007		OSGR	280-9007	
VARIOUS									
1985-Up	SD25	12	2.0	23300-10G02	281-9010		OSGR	280-9010	
F03									
1989-Up	TD42	24	3.5	23300-06J04	281-9011		OSGR	280-9011	
F05									
1986-Up	FD6	24	4.5	23300-Z5515	281-9012		OSGR	280-9012	
YE03									
1981-Up	SD33T Diesel	24	4.5	23300-Z5515	281-9012		OSGR	280-9012	
1989-1991	4G33, 4G54, 4G52	12	1.1	MD189054			DD	280-9019	Available in Reman Only
1988-Up	Z18P, NA16S, NA20S	12	1.2	23300-W9810			PMGR	280-9021	Available in Reman Only
1985-Up	H20	12	0.8	23300-00H10			DD	280-9025	Available in Reman Only
YGF03									
1981-Up	SD33T Diesel	24	4.5	23300-Z5515	281-9012		OSGR	280-9012	
NORTHERN LIGHTS/LUGGAR									
M643 GEN-SET									
1983	Ishikawajima	12	1.0	185086340 (Ishikawajima)	128000-0102		R		
ONAN									
GENERATOR									
1978	J. Deere 4219D	12	2.5	191-1117	028000-5920		F		Replaced by 028000-3930
1985	Kubota 2L600	12	0.8	15231-63014 (Kubota)	028000-7462		G	9702809-746	Available in Reman Only
1991	GH400V-L	12	0.6	191-1906	228000-0121		GA		
ELITE									
1993		12	0.6	191-2107	228000-3271		GA		



YEAR	ENGINE	VOLTS	kW	OEM PART NUMBER	NEW PART NUMBER	SOLENOID ANGLE	TYPE	REMAN PART NUMBER	APPLICATION INFORMATION
ONAN (continued)									
GEN SET									
1996	Cummins 6B	12	2.7	191-2211	228000-5761		R		
1996	Lister Petter .9/1.4L (Gas)	12	1.4	191-2213	228000-6091		RA		
1996	Cummins 6C	12	4.0	191-2212	228000-6390		R		
GEN SET									
1997		12	1.2	191-2229	228000-6771		RA		Wet Clutch
OSHKOSH									
M-LINE									
1990-1994	Cummins 6B	12	3.0		128000-4911		R	9712809-491	
1990-1994	Cummins 4B	12	2.5	3920403	128000-9503		R	9712809-950	
OTTAWA									
YARD TRACTOR									
1991-1996	Cummins 6C MT643	12	4.0	3920328	128000-9801		R		Must be installed w/Cummins spacer p/n 3908328, Replaced by 228000-6511
1993-Up	Cummins 6B MT643	12	2.7	3920643	228000-1953		R	280-8000	Wet Clutch
1993-Up	Cummins 6B MT643	12	2.7	228000-0620 (ND)	228000-1953		R	280-8000	Wet Clutch
1993-Up	Cummins 6B MT643	12	3.0	3925045	228000-3321		R		
1993-Up	Cummins 6B MT643	12	3.0	228000-2670 (ND)	228000-3321		R		
CAT									
1996-Up	3116	12	4.0	90022950	228000-5851		R	280-8019	
1996-Up	3126	12	4.0	90022950	228000-5851		R	280-8019	
CUMMINS 6C									
1996-Up	8.3L	12	4.0		228000-6511		R		
CAT									
1996-Up	3116	12	4.0	90022950	428000-1610		R		Dry Clutch
1996-Up	3126	12	4.0	90022950	428000-1610		R		Dry Clutch
TERMINAL TRACTOR									
2007 -	Cummins ISB 07, 6.7L	12	3.0	90032414	428000-5120		PA90S		
2007-	CAT C6.6	12	4.0	90032532	428000-5440				
CUMMINS 6C									
1997-up	8.3L	24	7.5		228000-7381		R	280-8006	
PERKINS									
1984	4-2032	12	2.5		128000-1062		R	280-7030	
1986	640-10.5L	24	8.0	1990455	LAY42800-0060		P		
2007-	928	24	7.5	300-6868	428000-5330		R		



YEAR	ENGINE	VOLTS	KW	OEM PART NUMBER	NEW PART NUMBER	SOLENOID ANGLE	TYPE	REMAN PART NUMBER	APPLICATION INFORMATION
PERKINS (continued)									
VISTA6									
	Perkins Engines	24	4.5	2873K406	428000-1120		R		
PETERBILT									
ALL									
1998-2006	Cummins ISM	12	5.0		428000-4420		R		
2000-2006	CAT C15	12	5.0		428000-4420		R		
2004-2006	CAT C13	12	5.0		428000-4420		R		
1994-1998	Cummins M11	12	5.0		428000-4430		R		
1994-2002	Cummins N14	12	5.0		428000-4440		R		
1999-2006	Cummins ISX	12	5.0		428000-5190		R		
1986-1990	DDAD 6V-92	24	8.0	1990491	LAY42800-0070	88	P		
1986-1990	CAT 3406	24	8.0	1990491	LAY42800-0070	88	P		
1986-1990	Cummins MTC-24 Option	24	8.0	1990491	LAY42800-0070	88	P		
1983-1985	DDAD 6V-92	24	8.0	1114880	LAY42800-0070	308	P		
1983-1985	DDAD 8V-71	24	8.0	1114880	LAY42800-0070	308	P		
1983-1985	Cummins NTC	24	8.0	1114880	LAY42800-0070	308	P		
1979-1981	Cummins NTC	24	8.0	1113952, 1114880	LAY42800-0070	308	P		
1979-1981	DDAD 6V-92	24	8.0	1113952, 1114880	LAY42800-0070	308	P		
1979-1981	DDAD 8V-71	24	8.0	1113952, 1114880	LAY42800-0070	308	P		
1977-1978	Cummins V8-210	24	8.0	1113965	LAY42800-0070	308	P		
1973-1974	(Opt.) 24 Volt Cummins (Opt.) 24 Volt (Exc. V8-201)	24	8.0	1113965	LAY42800-0070	308	P		
1982	Cummins	24	8.0	1114880	LAY42800-0070	308	P		
1982	DDAD 6V-92	24	8.0	1114880	LAY42800-0070	308	P		
1982	DDAD 8V-71-24 V	24	8.0	1114880	LAY42800-0070	308	P		
1972	Cummins (Exc. V8-210)	24	8.0	1113965	LAY42800-0070	308	P		
PEUGEOT									
TOW MOTOR									
1984	Peugeot (Gas)	12	1.4	6T-7002 (CAT)	128000-0590		IIR	280-7023	
1989	White 1404	12	1.4	6T-7004 (CAT)	128000-1050		IIR	280-7020	
1989	XN1P	12	1.4	7934025168	128000-7670		IIR		
1989	XD3P	12	2.0		128000-7701		R		
SATOH									
S-650G									
1972	PB	12	0.8	180020	028000-2890		F		
STERLING									
ACTERRA									
2000-	ISC	12	4.0	NPD 2280005311	228000-5311		R		



YEAR	ENGINE	VOLTS	KW	OEM PART NUMBER	NEW PART NUMBER	SOLENOID ANGLE	TYPE	REMAN PART NUMBER	APPLICATION INFORMATION
STERLING (continued)									
A-LINE									
2000-	CAT C9	12	4.0	NPD 2280005311	228000-5311		R		
L-LINE									
2000-	CAT C9	12	4.0	NPD 2280005311	228000-5311		R		
1998	CAT 3126	12	4.0		228000-5851		R	280-8019	
ALL									
1998-2002	Cummins ISM	12	5.0	NPD 4280004420	428000-4420		R		
A-LINE									
2000-2006	CAT C13	12	5.0	NPD 4280004420	428000-4420		R		
2004-2006	CAT C15	12	5.0	NPD 4280004420	428000-4420		R		
L-LINE									
2000-2006	CAT C13	12	5.0	NPD 4280004420	428000-4420		R		
2004-2006	CAT C15	12	5.0	NPD 4280004420	428000-4420		R		
ALL									
1994-1998	Cummins M11	12	5.0	NPD 4280004430	428000-4430		R		
1994-2006	Detroit Series 60	12	5.0	NPD 4280004430	428000-4430		R		
1994-2002	Cummins N14	12	5.0		428000-4440		R		
2002-	MBE 4000	12	5.0		428000-4450		R		
ACTERRA									
2007-	ISB	12	3.0	NPD 4280005230	428000-5230		R		
A-LINE									
2000-	DETROIT DIESEL SERIES 60	12	5.0	NPD 4280005730	428000-5730		R		When fuel filter is inside frame rail and fuel line is close to the starter
L-LINE									
2000-	DETROIT DIESEL SERIES 60	12	5.0	NPD 4280005730	428000-5730		R		When fuel filter is inside frame rail and fuel line is close to the starter
SULLAIR									
COMPRESSOR									
1985	J. Deere 4276	12	2.5	RE19275 (J. Deere)	028000-8400		R	9702809-840	Replaced by 228000-6471
TCM EQUIPMENT									
1991-Up		12	1.4	8-94170205-0, 8-94170205-1	128000-1102		2R	280-7066	
FG35N3									
1977-Up	ALL	12	1.2	23100-C0600	281-9003		DD	280-9003	
FG35N7									
1992-Up	TB42	12	1.4	23300-52H00	281-9005		OSGR	280-9005	
FG40N5									
1992-Up	TB42	12	1.4	23300-52H00	281-9005		OSGR	280-9005	
FD20Z									
1983-Up	C240 Diesel	12	2.2	5-81100-080-1	281-9008		DD	280-9008	
FD23Z									
1977-Up	C240 Diesel	12	2.2	5-81100-080-1	281-9008		DD	280-9008	



YEAR	ENGINE	VOLTS	KW	OEM PART NUMBER	NEW PART NUMBER	SOLENOID ANGLE	TYPE	REMAN PART NUMBER	APPLICATION INFORMATION
TCM EQUIPMENT (continued)									
FD25Z									
1977-Up	C240 Diesel	12	2.2	5-81100-080-1	281-9008		DD	280-9008	
FD28Z									
1983-Up	C240 Diesel	12	2.2	5-81100-080-1	281-9008		DD	280-9008	
FD30Z									
1983-Up	C240 Diesel	12	2.2	5-81100-080-1	281-9008		DD	280-9008	
SD10Z									
1983-Up	C240 Diesel	12	2.2	5-81100-080-1	281-9008		DD	280-9008	
SD12Z									
1983-Up	C240 Diesel	12	2.2	5-81100-080-1	281-9008		DD	280-9008	
1990-1994	A15, H20, Z24, H25	12	1.2	23300-K9160			PMGR	280-9017	Available in Reman Only
TELEDYNE									
TENNANT									
1984	TM13 -1.3,2.0,2.2L Gas	12	1.4	TMD-13M500	128000-1770		IIR		
1984	TM20 -1.3,2.0,2.2L Gas	12	1.4	TMD-13M500	128000-1770		IIR		
1984	TM27 -1.3,2.0,2.2L Gas	12	1.4	TMD-13M500	128000-1770		IIR		
ENGINES									
1985-Up	2.7L Diesel Eng.	12	2.5	TMD-27M504	128000-1782		R		
TENNANT									
1985	2.0L, 2.7L Diesel	12	2.5	TMD-27M504	128000-1782		R		
SPERRY									
1985	TM13 - 1.3, 2.0L Gas	12	1.4	TMD-13M501	128000-2960		IIR		
CLARK									
1985	2.7L TM13	12	1.4	TMD-13M502	128000-2970		IIR	280-7032	
CLARK, FORKLIFT									
1986	2.0L, 2.7L Diesel	12	2.5	TMD-27M506	128000-3032		R	280-7047	
ENGINES									
1985-Up	2.7L Diesel Eng.	12	2.5	TMD-13M506	128000-3032		R		
J.I. CASE									
1987	2.0L Gas, TM20	12	1.4	TMD-13M503	128000-5590		IIR		
UPS - J.I. CASE									
1987	2.0L Diesel	12	2.5	TMD-27M507	128000-5602		R		



YEAR	ENGINE	VOLTS	kW	OEM PART NUMBER	NEW PART NUMBER	SOLENOID ANGLE	TYPE	REMAN PART NUMBER	APPLICATION INFORMATION
TELEDYNE (continued)									
CLARK									
1988	TM20 2.0L Diesel	12	1.4	TMD-13M504	128000-6350		IIR	280-7046	
1991	TMD27	12	2.5	TMD-27M509	228000-0022		R		
1992	TMD27M	12	2.5	TMD-27M521	228000-1192		R		
1992	TMD27M	12	2.5	TMD-27M521	228000-1192		R		
1992	TM27	12	1.4	TM27M00513	228000-2151		RA	280-7070	
1992	TM27, 1.3L	12	1.4	TM27M00514	228000-2160		RA		
1992	TM27, 2.7L	12	1.4	TM27M00515	228000-2171		RA		
1992	TM27, 2.0L	12	1.4	TM27M00516	228000-2181		RA	280-7071	
TENNANT									
1984	TM13 -1.3,2.0,2.2L Gas	12	1.4	TMD-13M500	128000-1770		IIR		
1985	2.0, 2.7L Diesel	12	2.5	TMD-27M504	128000-1782		R		
TEREX									
1976-1978	92-31B	24	8.0	1113900, 1113980	LAY42800-0070	308	P		
1976-1978	72-51/B/BA	24	8.0	1113900, 1113980	LAY42800-0070	308	P		
1976-1978	72-61	24	8.0	1113900, 1113980	LAY42800-0070	308	P		
1973-1975	72-71 w/ DD 8V-71	24	8.0	1113900	LAY42800-0070	308	P		
1972-1975	72-71 w/ DD 8V-71	24	8.0	1113968	LAY42800-0070	308	P		
1971-1975	72-21 w/ DD 3-71N	24	8.0	1113980	LAY42800-0070	308	P		
1971-1975	71-31	24	8.0	1113980	LAY42800-0070	308	P		
1971-1975	72-41 w/ DD 4-71 S-11E	24	8.0	1113980	LAY42800-0070	308	P		
1971-1975	TS-14 w/ DD 4-71N	24	8.0	1113980	LAY42800-0070	308	P		
1986	4cyl.-6.98L	24	8.0	1990491	LAY42800-0070	88	P		
1986	8cyl.-9.31L	24	8.0	1990382	LAY42800-0070	38	P		
1985	4 cyl., 6 cyl.-6.98L, 8 cyl.	24	8.0	1114854, 1114875, 1114951	LAY42800-0070	308	P		
CRAWLER TRACTOR									
1976-1978	82-20 w/ DDAD 6V-71T	24	8.0	1113845, 1113849	LAY42800-0070	308	P		
1976-1978	82-30B w/ DDAD 8V-71T	24	8.0	1113845, 1113849	LAY42800-0070	308	P		
1973-1975	82-30G w/ DD 8V-71	24	8.0	1113845, 1113900	LAY42800-0070	308	P		
1973-1975	82-40 w/ DD 8V-71	24	8.0	1113845, 1113900	LAY42800-0070	308	P		
1972-1975	82-20 w/ DD 6V-71	24	8.0	1113849	LAY42800-0070	308	P		

STARTER APPLICATIONS



YEAR	ENGINE	VOLTS	KW	OEM PART NUMBER	NEW PART NUMBER	SOLENOID ANGLE	TYPE	REMAN PART NUMBER	APPLICATION INFORMATION
TEREX (continued)									
CRAWLER TRACTOR (continued)									
1971-1975	82-80 w/ DD 6V-71	24	8.0	1113824, 1113849, 1113876	LAY42800-0070	308	P		
1971-1972	82-40 w/ DD 8V-71	24	8.0	1113824, 1113968	LAY42800-0070	308	P		
1971-1972	82-30GA w/ DD 6-71	24	8.0	1113824, 1113968	LAY42800-0070	308	P		
1971	82-30 w/ DD 6-71 (L.H. Engine)	24	8.0	1113824	LAY42800-0070	308	P		
HAULER									
1972-1978	33-05 w/ DD 8V-71	24	8.0	1113900, 1113968	LAY42800-0070	308	P		
SCRAPER									
1976-1978	TS-14B	24	8.0	1113876, 1113900	LAY42800-0070	308	P		
1976-1978	TS-18	24	8.0	1113876, 1113900	LAY42800-0070	308	P		
1976-1978	S-23E	24	8.0	1113876, 1113900	LAY42800-0070	308	P		
1972-1975	S-23E w/ D4426DD 8V-71N	24	8.0	1113968	LAY42800-0070	308	P		
1971-1975	TS-18	24	8.0	1113824, 1113968	LAY42800-0070	308	P		
1971-1975	TS-24 w/ DD 6V-71N	24	8.0	1113824, 1113968	LAY42800-0070	308	P		
1971-1975	TS-32 w/ DD 8V-71T	24	8.0	1113824, 1113968	LAY42800-0070	308	P		
1971	TS-24 w/ 12V-71N	24	8.0	1113824	LAY42800-0070	308	P		
THERMO KING									
YANMAR									
1978-1983	3T80	12	1.4	45-1312	028000-5730		R	9712809-071	On engines built prior to 7/83
1978	TK 235	12	1.4	171022-77010 (Yanmar)	028000-5800		R		
1978	TK 235	12	1.4	45-904	028000-5800		R		
1984	Mercedes OM636 (1.8L Diesel)	12	2.0	45-1170	128000-0570		R		Replaced by 128000-2280
3T80									
1983	Yanmar	12	1.4	121120-77010 (Yanmar)	128000-0710		IIR	9712809-071	
1983	Yanmar	12	1.4	121120-77011 (Yanmar)	128000-0710		IIR	9712809-071	
1983	Yanmar	12	1.4	45-1312	128000-0710		IIR	9712809-071	On engines built after 7/83
MD-1 SS1V									
1984	2T72HL	12	1.4	45-1251	128000-0721		IIR	9712809-072	
SB-15D SSV1 FUEL SAVER									
1984		12	2.0	45-1229, 45-56572	128000-0960		R		
SENTRY SD 1200									
1984	Isuzu C201	12	2.0	45-5674	128000-0960		R		
1984	Isuzu C201	12	2.0	8-94149-429-0 (Hitachi)	128000-0960		R		



YEAR	ENGINE	VOLTS	kW	OEM PART NUMBER	NEW PART NUMBER	SOLENOID ANGLE	TYPE	REMAN PART NUMBER	APPLICATION INFORMATION
THERMO KING (continued)									
SENTRY SD 1200 (continued)									
1984	Isuzu D201	12	2.0	45-5674	128000-0960		R		
1984	Isuzu D201	12	2.0	8-94149-429-0 (Hitachi)	128000-0960		R		
1985	Mercedes OM636 (1.8L Diesel)	12	2.0	001 366025 (Bosch)	128000-2280		R		
1985	Mercedes OM636 (1.8L Diesel)	12	2.0	45-267,45-1170,45-338	128000-2280		R		
1985	Mercedes OM636 (1.8L Diesel)	12	2.0	MEO-6005A (Prestolite)	128000-2280		R		
2TN66E									
1991	Yanmar	12	1.0	119385-77010 (Yanmar)	228000-0142		R		
1991	Yanmar	12	1.0	45-1335	228000-0142		R		
SB-II 30 DI, TC STD.									
1979-Up		12	2.0	S13-84B	281-9301				
SB-II 30 MAX STD.									
1979-Up		12	2.0	S13-84B	281-9301				
SENTRY 30 DI, TC STD.									
1979-Up		12	2.0	S13-84B	281-9301				
SUPER II 30 MAX STD.									
1979-Up		12	2.0	S13-84B	281-9301				
SB-II STD.									
1983-Up		12	2.0	S13-84B	281-9301				
SENTRY SD1200									
1984-Up	ISUZU C201	12	2.0	S13-84B	281-9301				
1984-Up	ISUZU D201	12	2.0	S13-84B	281-9301				
SB-III									
1990-Up		12	2.0	S13-84B	281-9301				
SB-III MAX									
1990-Up		12	2.0	S13-84B	281-9301				
SB-III SR									
1993-Up	SB-III SR	12	2.0	S13-84B	281-9301				
SENTRY SD1200									
1973-Up	ISUZU C201	12	2.0	S13-211	281-9300				
SB-II 30 DI, TC OPT.									
1979-Up		12	2.0	S13-211	281-9300				
SB-II 30 MAX OPT.									
1979-Up		12	2.0	S13-211	281-9300				
SENTRY 30 DI, TC OPT.									
1979-Up		12	2.0	S13-211	281-9300				
SB-II OPT.									
1983-Up		12	2.0	S13-211	281-9300				
SUPER II 30 MAX OPT.									
1983-Up		12	2.0	S13-211	281-9300				



YEAR	ENGINE	VOLTS	KW	OEM PART NUMBER	NEW PART NUMBER	SOLENOID ANGLE	TYPE	REMAN PART NUMBER	APPLICATION INFORMATION
THOMAS BUILT BUSES									
BUS									
1993-1997	Cummins 6B	12	3.0	61230355	228000-3311		R		
MVP									
1994-1997	6B AT545	12	3.0	61230355	228000-3311		R		
1994-1997	6B MT643	12	3.0	61230354	228000-3321		R		
FORWARD CONTROL									
1994-1997	6B AT545	12	2.7	61230357	228000-3811		R		
1994-1997	6B MT643	12	2.7	61230357	228000-3811		R		
1996-Up	Cummins ISC	12	4.0	61230712	228000-5311		R	280-8002	Dry Clutch & Ground Stud
1996-Up	CAT 3116	12	4.0	61230359	228000-5851		R	280-8019	
1996-Up	CAT 3116	12	4.0	61230359	228000-5851		R	280-8019	
1996-Up	CAT 3126	12	4.0	61230359	228000-5851		R	280-8019	
1996-Up	CAT 3126	12	4.0	61230359	228000-5851		R	280-8019	
1997-up	CAT 3126	12	4.0	61230373	228000-7121		R	280-8004	SAE #3 hsg.
1997-up	Cummins ISB	12	3.0	61230711	228000-7280		R		
1997-up	Cummins ISB	12	3.0	61230710	228000-7291		R		
1997-up	Cummins ISB	12	2.7	61230709	228000-7301		R	280-8005	
1996-Up	CAT 3116	12	4.0	61231320	428000-1610		R		Dry Clutch
1996-Up	CAT 3126	12	4.0	61231320	428000-1610		R		Dry Clutch
2002	Mercedes 906	12	4.0	61231341	428000-1881		R		
2004-Up	CAT 3126	12	4.0	61231352	428000-2840		R		Dry Clutch
2007 -	Cummins ISB 07, 6.7L	12	3.0		428000-5310		PA90S		
TIGER									
GROUND SUPPORT EQUIPMENT									
	Ford 4.9L	12	1.8	2585289C91	228000-8432		RA	280-8009	
TIGERCAT									
DTT FELLER BUNCHER 718E									
2007-	Cummins QSB 6.7L Tier III	24	7.5	4934036	428000-5220		R		
DTT FELLER BUNCHER 720E									
2007-	Cummins QSB 6.7L Tier III	24	7.5	4934036	428000-5220		R		
DTT FELLER BUNCHER 724E									
2007-	Cummins QSB 6.7L Tier III	24	7.5	4934036	428000-5220		R		
DTT FELLER BUNCHER 726E									
2007-	Cummins QSB 6.7L Tier III	24	7.5	4934036	428000-5220		R		
CABLE SKIDDERS 604C									
2007-	Cummins QSB 6.7L Tier III	24	7.5	4934036	428000-5220		R		



YEAR	ENGINE	VOLTS	kW	OEM PART NUMBER	NEW PART NUMBER	SOLENOID ANGLE	TYPE	REMAN PART NUMBER	APPLICATION INFORMATION
TIGERCAT (continued)									
SKIDDERS 610C									
2007-	Cummins QSB 6.7L Tier III	24	7.5	4934036	428000-5220		R		
SKIDDERS 620C									
2007-	Cummins QSB 6.7L Tier III	24	7.5	4934036	428000-5220		R		
SKIDDERS 635D									
2007-	Cummins QSB 6.7L Tier III	24	7.5	4934036	428000-5220		R		
HARVESTER/PROCESSOR H250B									
2007-	Cummins QSB 6.7L Tier III	24	7.5	4934036	428000-5220		R		
TORO									
GROUNDMASTER									
1996-2002	Kohler 20hp gas	12	0.6	24-098-01	228000-2640			9722809-264	
TOYOTA									
02-3TD45									
1982-Up	2D	24	4.5	28100-76015-71	028000-5302		R	280-7056	Available in Reman Only
2FD100									
1984-93	2D	24	4.5	28100-76015-71	028000-5302		R	280-7056	Available in Reman Only
2FD115									
1984-93	2D	24	4.5	28100-76015-71	028000-5302		R	280-7056	Available in Reman Only
2FD135									
1984-93	2D	24	4.5	28100-76015-71	028000-5302		R	280-7056	Available in Reman Only
2SD20									
1977-1991		24	4.5	28100-76015-71	028000-5302		R	280-7056	Available in Reman Only
2SD23									
1977-1991		24	4.5	28100-76015-71	028000-5302		R	280-7056	Available in Reman Only
2SD25									
1977-1991		24	4.5	28100-76015-71	028000-5302		R	280-7056	Available in Reman Only
3FD80									
1982-1990		24	4.5	28100-76015-71	028000-5302		R	280-7056	Available in Reman Only
3FDE60									
1982-1990		24	4.5	28100-76015-71	028000-5302		R	280-7056	Available in Reman Only
3FDE70									
1982-1990		24	4.5	28100-76015-71	028000-5302		R	280-7056	Available in Reman Only
3SD25									
1979-1997	2D	24	4.5	28100-76015-71	028000-5302		R	280-7056	Available in Reman Only
3TD45									
1982-Up	2D	24	4.5	28100-76015-71	028000-5302		R	280-7056	Available in Reman Only
40-3FD50									
1977-1990	2D	24	4.5	28100-76015-71	028000-5302		R	280-7056	Available in Reman Only

STARTER APPLICATIONS



YEAR	ENGINE	VOLTS	KW	OEM PART NUMBER	NEW PART NUMBER	SOLENOID ANGLE	TYPE	REMAN PART NUMBER	APPLICATION INFORMATION
TOYOTA (continued)									
40-3FD60									
1977-1990	2D	24	4.5	28100-76015-71	028000-5302		R	280-7056	Available in Reman Only
40-3SD20									
1979-1997	2D	24	4.5	28100-76015-71	028000-5302		R	280-7056	Available in Reman Only
40-3SD23									
1979-1997	2D	24	4.5	28100-76015-71	028000-5302		R	280-7056	Available in Reman Only
40-3TD35									
1982-Up	2D	24	4.5	28100-76015-71	028000-5302		R	280-7056	Available in Reman Only
42-3TD35									
1982-Up	2D	24	4.5	28100-76015-71	028000-5302		R	280-7056	Available in Reman Only
FD70									
1977-1990	2D	24	4.5	28100-76015-71	028000-5302		R	280-7056	Available in Reman Only
FD100									
1977-1984		24	4.5	28100-76015-71	028000-5302		R	280-7056	Available in Reman Only
FD150									
1977-1986		24	4.5	28100-76015-71	028000-5302		R	280-7056	Available in Reman Only
FDA150									
1977-1986		24	4.5	28100-76015-71	028000-5302		R	280-7056	Available in Reman Only
SD20									
1977-1991		24	4.5	28100-76015-71	028000-5302		R	280-7056	Available in Reman Only
SD23									
1977-1991		24	4.5	28100-76015-71	028000-5302		R	280-7056	Available in Reman Only
SD25									
1977-1991		24	4.5	28100-76015-71	028000-5302		R	280-7056	Available in Reman Only
02-2FDC20									
1980-1988	2J	24	4.5	28100-22061-71	028000-5864		R	280-7001	Available in Reman Only
02-2FDC25									
1980-1988	2J	24	4.5	28100-22061-71	028000-5864		R	280-7001	Available in Reman Only
02-2FDC30									
1980-1988	2J	24	4.5	28100-22061-71	028000-5864		R	280-7001	Available in Reman Only
02-2SD10									
1988-1990	2J (REDUCTION)	24	4.5	28100-22061-71	028000-5864		R	280-7001	Available in Reman Only
1981-1988	2J..ATM (REDUCTION)	24	4.5	28100-22061-71	028000-5864		R	280-7001	Available in Reman Only
02-2SD12									
1988-1990	2J (REDUCTION)	24	4.5	28100-22061-71	028000-5864		R	280-7001	Available in Reman Only
1981-1988	2J..ATM (REDUCTION)	24	4.5	28100-22061-71	028000-5864		R	280-7001	Available in Reman Only
02-3FD10									
1978-1986	2J	24	4.5	28100-22061-71	028000-5864		R	280-7001	Available in Reman Only
02-3FD14									
1978-1986	2J	24	4.5	28100-22061-71	028000-5864		R	280-7001	Available in Reman Only
02-3FD15									
1978-1986	2J	24	4.5	28100-22061-71	028000-5864		R	280-7001	Available in Reman Only



YEAR	ENGINE	VOLTS	kW	OEM PART NUMBER	NEW PART NUMBER	SOLENOID ANGLE	TYPE	REMAN PART NUMBER	APPLICATION INFORMATION
TOYOTA (continued)									
02-3FD18									
1978-1986	2J	24	4.5	28100-22061-71	028000-5864		R	280-7001	Available in Reman Only
02-3FD20									
1978-1986	2J, 2JT	24	4.5	28100-22061-71	028000-5864		R	280-7001	Available in Reman Only
02-3FD25									
1978-1986	2J, 2JT	24	4.5	28100-22061-71	028000-5864		R	280-7001	Available in Reman Only
02-3FD28									
1978-1986	2J, 2JT	24	4.5	28100-22061-71	028000-5864		R	280-7001	Available in Reman Only
02-3FD30									
1978-1986	2J, 2JT	24	4.5	28100-22061-71	028000-5864		R	280-7001	Available in Reman Only
02-4FD20									
1978-1986	2J, 2JT	24	4.5	28100-22061-71	028000-5864		R	280-7001	Available in Reman Only
02-4FD23									
1978-1986	2J, 2JT	24	4.5	28100-22061-71	028000-5864		R	280-7001	Available in Reman Only
02-4FD25									
1978-1986	2J, 2JT	24	4.5	28100-22061-71	028000-5864		R	280-7001	Available in Reman Only
02-5FD20									
1986-1994	1Z (24)	24	4.5	28100-22061-71	028000-5864		R	280-7001	Available in Reman Only
02-5FD23									
1986-1994	1Z (24)	24	4.5	28100-22061-71	028000-5864		R	280-7001	Available in Reman Only
02-5FD25									
1986-1994	1Z (24)	24	4.5	28100-22061-71	028000-5864		R	280-7001	Available in Reman Only
02-5FD28									
1986-1994	1Z (24)	24	4.5	28100-22061-71	028000-5864		R	280-7001	Available in Reman Only
02-5FD30									
1986-1994	1Z (24)	24	4.5	28100-22061-71	028000-5864		R	280-7001	Available in Reman Only
02-5FD33									
1988-1996	11Z..ATM (24)	24	4.5	28100-22061-71	028000-5864		R	280-7001	Available in Reman Only
02-5FD35									
1988-1996	11Z..ATM (24)	24	4.5	28100-22061-71	028000-5864		R	280-7001	Available in Reman Only
02-5FD38									
1988-1996	11Z..ATM (24)	24	4.5	28100-22061-71	028000-5864		R	280-7001	Available in Reman Only
02-5FD40									
1988-1996	11Z..ATM (24)	24	4.5	28100-22061-71	028000-5864		R	280-7001	Available in Reman Only
02-5FD45									
1988-1996	11Z..ATM (24)	24	4.5	28100-22061-71	028000-5864		R	280-7001	Available in Reman Only
02-5FDE35									
1988-1996	11Z..ATM (24)	24	4.5	28100-22061-71	028000-5864		R	280-7001	Available in Reman Only
02-5FDF20									
1988-1994	1Z (24)	24	4.5	28100-22061-71	028000-5864		R	280-7001	Available in Reman Only
02-5FDF30									
1993-1994	1Z (24)	24	4.5	28100-22061-71	028000-5864		R	280-7001	Available in Reman Only

STARTER APPLICATIONS



YEAR	ENGINE	VOLTS	KW	OEM PART NUMBER	NEW PART NUMBER	SOLENOID ANGLE	TYPE	REMAN PART NUMBER	APPLICATION INFORMATION
TOYOTA (continued)									
02-5FDU20									
1991-1995	1Z (24)	24	4.5	28100-22061-71	028000-5864		R	280-7001	Available in Reman Only
02-5FDU25									
1991-1995	1Z (24)	24	4.5	28100-22061-71	028000-5864		R	280-7001	Available in Reman Only
02-5FDU30									
1991-1995	1Z (24)	24	4.5	28100-22061-71	028000-5864		R	280-7001	Available in Reman Only
02-6FD20									
1993-1998	2Z (24)	24	4.5	28100-22061-71	028000-5864		R	280-7001	Available in Reman Only
02-6FD23									
1993-1998	2Z (24)	24	4.5	28100-22061-71	028000-5864		R	280-7001	Available in Reman Only
02-6FD25									
1993-1998	2Z (24)	24	4.5	28100-22061-71	028000-5864		R	280-7001	Available in Reman Only
02-6FD28									
1994-1998	2Z (24)	24	4.5	28100-22061-71	028000-5864		R	280-7001	Available in Reman Only
02-6FD30									
1994-1998	2Z (24)	24	4.5	28100-22061-71	028000-5864		R	280-7001	Available in Reman Only
02-6FD33									
1996-1999	13Z...ATM (RUSSIA)	24	4.5	28100-22061-71	028000-5864		R	280-7001	Available in Reman Only
1996-1999	13Z...ATM [24]	24	4.5	28100-22061-71	028000-5864		R	280-7001	Available in Reman Only
02-6FD35									
1996-1999	13Z...ATM (RUSSIA)	24	4.5	28100-22061-71	028000-5864		R	280-7001	Available in Reman Only
1996-1999	13Z...ATM [24]	24	4.5	28100-22061-71	028000-5864		R	280-7001	Available in Reman Only
02-6FD40									
1996-1999	13Z...ATM (RUSSIA)	24	4.5	28100-22061-71	028000-5864		R	280-7001	Available in Reman Only
1996-1999	13Z...ATM [24]	24	4.5	28100-22061-71	028000-5864		R	280-7001	Available in Reman Only
02-6FD45									
1996-1999	13Z...ATM (RUSSIA)	24	4.5	28100-22061-71	028000-5864		R	280-7001	Available in Reman Only
1996-1999	13Z...ATM [24]	24	4.5	28100-22061-71	028000-5864		R	280-7001	Available in Reman Only
02-6FDA50									
1996-1999	13Z...ATM (RUSSIA)	24	4.5	28100-22061-71	028000-5864		R	280-7001	Available in Reman Only
1996-1999	13Z...ATM [24]	24	4.5	28100-22061-71	028000-5864		R	280-7001	Available in Reman Only
02-6FDAU50									
1997-2000	13Z (24)	24	4.5	28100-22061-71	028000-5864		R	280-7001	Available in Reman Only
02-6FDE35									
1996-1999	13Z...ATM (RUSSIA)	24	4.5	28100-22061-71	028000-5864		R	280-7001	Available in Reman Only
1996-1999	13Z...ATM [24]	24	4.5	28100-22061-71	028000-5864		R	280-7001	Available in Reman Only
02-6FDF20									
1994-1999	2Z (24)	24	4.5	28100-22061-71	028000-5864		R	280-7001	Available in Reman Only



YEAR	ENGINE	VOLTS	kW	OEM PART NUMBER	NEW PART NUMBER	SOLENOID ANGLE	TYPE	REMAN PART NUMBER	APPLICATION INFORMATION
TOYOTA (continued)									
02-6FDF25									
1994-1999	2Z (24)	24	4.5	28100-22061-71	028000-5864		R	280-7001	Available in Reman Only
02-6FDF30									
1994-1999	2Z (24)	24	4.5	28100-22061-71	028000-5864		R	280-7001	Available in Reman Only
02-6FDU33									
1997-2000	13Z (24)	24	4.5	28100-22061-71	028000-5864		R	280-7001	Available in Reman Only
02-6FDU35									
1997-2000	13Z (24)	24	4.5	28100-22061-71	028000-5864		R	280-7001	Available in Reman Only
02-6FDU40									
1997-2000	13Z (24)	24	4.5	28100-22061-71	028000-5864		R	280-7001	Available in Reman Only
02-6FDU45									
1997-2000	13Z (24)	24	4.5	28100-22061-71	028000-5864		R	280-7001	Available in Reman Only
02-FD18									
1978-1986	2J	24	4.5	28100-22061-71	028000-5864		R	280-7001	Available in Reman Only
02-FD23									
1978-1986	2J, 2JT	24	4.5	28100-22061-71	028000-5864		R	280-7001	Available in Reman Only
02-FD28									
1978-1986	2J, 2JT	24	4.5	28100-22061-71	028000-5864		R	280-7001	Available in Reman Only
02-FDC18									
1980-1988	2J	24	4.5	28100-22061-71	028000-5864		R	280-7001	Available in Reman Only
02-FDC23									
1980-1988	2J	24	4.5	28100-22061-71	028000-5864		R	280-7001	Available in Reman Only
02-FDC28									
1980-1988	2J	24	4.5	28100-22061-71	028000-5864		R	280-7001	Available in Reman Only
02-SD7									
1979-1992	2J	24	4.5	28100-22061-71	028000-5864		R	280-7001	Available in Reman Only
02-TD20									
1979-1989	2J	24	4.5	28100-22061-71	028000-5864		R	280-7001	Available in Reman Only
02-TD25									
1979-1989	2J	24	4.5	28100-22061-71	028000-5864		R	280-7001	Available in Reman Only
04-5FD28									
1986-1994	1Z (24)	24	4.5	28100-22061-71	028000-5864		R	280-7001	Available in Reman Only
04-5FD30									
1986-1994	1Z (24)	24	4.5	28100-22061-71	028000-5864		R	280-7001	Available in Reman Only
2FDC20									
1980-1988	2J	24	4.5	28100-22061-71	028000-5864		R	280-7001	Available in Reman Only
2FDC25									
1980-1988	2J	24	4.5	28100-22061-71	028000-5864		R	280-7001	Available in Reman Only
2FDC30									
1980-1988	2J	24	4.5	28100-22061-71	028000-5864		R	280-7001	Available in Reman Only
2JD18									
1986-1998		24	4.5	28100-22061-71	028000-5864		R	280-7001	Available in Reman Only

STARTER APPLICATIONS



YEAR	ENGINE	VOLTS	KW	OEM PART NUMBER	NEW PART NUMBER	SOLENOID ANGLE	TYPE	REMAN PART NUMBER	APPLICATION INFORMATION
TOYOTA (continued)									
2JD21									
1986-1998		24	4.5	28100-22061-71	028000-5864		R	280-7001	Available in Reman Only
2JD25									
1987-1998		24	4.5	28100-22061-71	028000-5864		R	280-7001	Available in Reman Only
2SD10									
1988-1990	2J (REDUCTION)	24	4.5	28100-22061-71	028000-5864		R	280-7001	Available in Reman Only
2SD12									
1988-1990	2J (REDUCTION)	24	4.5	28100-22061-71	028000-5864		R	280-7001	Available in Reman Only
3FD10									
1978-1986	2J	24	4.5	28100-22061-71	028000-5864		R	280-7001	Available in Reman Only
3FD14									
1978-1986	2J	24	4.5	28100-22061-71	028000-5864		R	280-7001	Available in Reman Only
3FD15									
1978-1986	2J	24	4.5	28100-22061-71	028000-5864		R	280-7001	Available in Reman Only
3FD18									
1978-1986	2J	24	4.5	28100-22061-71	028000-5864		R	280-7001	Available in Reman Only
3FD20									
1978-1986	2J, 2JT	24	4.5	28100-22061-71	028000-5864		R	280-7001	Available in Reman Only
3FD25									
1978-1986	2J, 2JT	24	4.5	28100-22061-71	028000-5864		R	280-7001	Available in Reman Only
3FD28									
1978-1986	2J, 2JT	24	4.5	28100-22061-71	028000-5864		R	280-7001	Available in Reman Only
3FD30									
1978-1986	2J, 2JT	24	4.5	28100-22061-71	028000-5864		R	280-7001	Available in Reman Only
4FD20									
1978-1986	2J, 2JT	24	4.5	28100-22061-71	028000-5864		R	280-7001	Available in Reman Only
4FD23									
1978-1986	2J, 2JT	24	4.5	28100-22061-71	028000-5864		R	280-7001	Available in Reman Only
4FD25									
1978-1986	2J, 2JT	24	4.5	28100-22061-71	028000-5864		R	280-7001	Available in Reman Only
4SDK10									
1989-Up	2Z (ARCTIC)	24	4.5	28100-22061-71	028000-5864		R	280-7001	Available in Reman Only
50-3FD28									
1978-1986	2J, 2JT	24	4.5	28100-22061-71	028000-5864		R	280-7001	Available in Reman Only
50-3FD30									
1978-1986	2J, 2JT	24	4.5	28100-22061-71	028000-5864		R	280-7001	Available in Reman Only
50-4FD20									
1978-1986	2J, 2JT	24	4.5	28100-22061-71	028000-5864		R	280-7001	Available in Reman Only
50-4FD23									
1978-1986	2J, 2JT	24	4.5	28100-22061-71	028000-5864		R	280-7001	Available in Reman Only
50-4FD25									
1978-1986	2J, 2JT	24	4.5	28100-22061-71	028000-5864		R	280-7001	Available in Reman Only



YEAR	ENGINE	VOLTS	KW	OEM PART NUMBER	NEW PART NUMBER	SOLENOID ANGLE	TYPE	REMAN PART NUMBER	APPLICATION INFORMATION
TOYOTA (continued)									
52-3FD28									
1978-1986	2J, 2JT	24	4.5	28100-22061-71	028000-5864		R	280-7001	Available in Reman Only
52-3FD30									
1978-1986	2J, 2JT	24	4.5	28100-22061-71	028000-5864		R	280-7001	Available in Reman Only
52-4FD20									
1978-1986	2J, 2JT	24	4.5	28100-22061-71	028000-5864		R	280-7001	Available in Reman Only
52-4FD23									
1978-1986	2J, 2JT	24	4.5	28100-22061-71	028000-5864		R	280-7001	Available in Reman Only
52-4FD25									
1978-1986	2J, 2JT	24	4.5	28100-22061-71	028000-5864		R	280-7001	Available in Reman Only
5FD20									
1986-1994	1Z (24)	24	4.5	28100-22061-71	028000-5864		R	280-7001	Available in Reman Only
5FD23									
1986-1994	1Z (24)	24	4.5	28100-22061-71	028000-5864		R	280-7001	Available in Reman Only
5FD25									
1986-1994	1Z (24)	24	4.5	28100-22061-71	028000-5864		R	280-7001	Available in Reman Only
5FD28									
1986-1994	1Z (24)	24	4.5	28100-22061-71	028000-5864		R	280-7001	Available in Reman Only
5FD30									
1986-1994	1Z (24)	24	4.5	28100-22061-71	028000-5864		R	280-7001	Available in Reman Only
5FD50									
1996-Up	14Z	24	4.5	28100-22061-71	028000-5864		R	280-7001	Available in Reman Only
1990-1996	12Z	24	4.5	28100-22061-71	028000-5864		R	280-7001	Available in Reman Only
5FD60									
1996-Up	14Z	24	4.5	28100-22061-71	028000-5864		R	280-7001	Available in Reman Only
1990-1996	12Z	24	4.5	28100-22061-71	028000-5864		R	280-7001	Available in Reman Only
5FD70									
1996-Up	14Z	24	4.5	28100-22061-71	028000-5864		R	280-7001	Available in Reman Only
1990-1996	12Z	24	4.5	28100-22061-71	028000-5864		R	280-7001	Available in Reman Only
5FDA50									
1988-1996	11Z..ATM (24)	24	4.5	28100-22061-71	028000-5864		R	280-7001	Available in Reman Only
5FDF20									
1988-1994	1Z (24)	24	4.5	28100-22061-71	028000-5864		R	280-7001	Available in Reman Only
5FDM60									
1996-Up	14Z	24	4.5	28100-22061-71	028000-5864		R	280-7001	Available in Reman Only
1990-1996	12Z	24	4.5	28100-22061-71	028000-5864		R	280-7001	Available in Reman Only
5FDM70									
1996-Up	14Z	24	4.5	28100-22061-71	028000-5864		R	280-7001	Available in Reman Only
1990-1996	12Z	24	4.5	28100-22061-71	028000-5864		R	280-7001	Available in Reman Only
5FDN50									
1996-1998	14Z	24	4.5	28100-22061-71	028000-5864		R	280-7001	Available in Reman Only
5FDN60									
1996-1998	14Z	24	4.5	28100-22061-71	028000-5864		R	280-7001	Available in Reman Only

STARTER APPLICATIONS



YEAR	ENGINE	VOLTS	KW	OEM PART NUMBER	NEW PART NUMBER	SOLENOID ANGLE	TYPE	REMAN PART NUMBER	APPLICATION INFORMATION
TOYOTA (continued)									
60-5FD80									
1996-Up	14Z	24	4.5	28100-22061-71	028000-5864		R	280-7001	Available in Reman Only
6FD20									
1993-1998	2Z (24)	24	4.5	28100-22061-71	028000-5864		R	280-7001	Available in Reman Only
6FD23									
1993-1998	2Z (24)	24	4.5	28100-22061-71	028000-5864		R	280-7001	Available in Reman Only
6FD25									
1993-1998	2Z (24)	24	4.5	28100-22061-71	028000-5864		R	280-7001	Available in Reman Only
6FD28									
1994-1998	2Z (24)	24	4.5	28100-22061-71	028000-5864		R	280-7001	Available in Reman Only
6FD30									
1994-1998	2Z (24)	24	4.5	28100-22061-71	028000-5864		R	280-7001	Available in Reman Only
FD18									
1978-1986	2J	24	4.5	28100-22061-71	028000-5864		R	280-7001	Available in Reman Only
FD23									
1978-1986	2J, 2JT	24	4.5	28100-22061-71	028000-5864		R	280-7001	Available in Reman Only
FD28									
1978-1986	2J, 2JT	24	4.5	28100-22061-71	028000-5864		R	280-7001	Available in Reman Only
FDC18									
1980-1988	2J	24	4.5	28100-22061-71	028000-5864		R	280-7001	Available in Reman Only
FDC23									
1980-1988	2J	24	4.5	28100-22061-71	028000-5864		R	280-7001	Available in Reman Only
FDC28									
1980-1988	2J	24	4.5	28100-22061-71	028000-5864		R	280-7001	Available in Reman Only
FDT25									
1983-Up	2J	24	4.5	28100-22061-71	028000-5864		R	280-7001	Available in Reman Only
JD12									
1978-9197		24	4.5	28100-22061-71	028000-5864		R	280-7001	Available in Reman Only
JD15L									
1978-1997		24	4.5	28100-22061-71	028000-5864		R	280-7001	Available in Reman Only
SD7									
1979-1992	2J	24	4.5	28100-22061-71	028000-5864		R	280-7001	Available in Reman Only
SDK8									
1978-1986		24	4.5	28100-22061-71	028000-5864		R	280-7001	Available in Reman Only
SDK10									
1989-Up	1Z (ARCTIC)	24	4.5	28100-22061-71	028000-5864		R	280-7001	Available in Reman Only
TD20									
1979-1989	2J	24	4.5	28100-22061-71	028000-5864		R	280-7001	Available in Reman Only
TD25									
1979-1989	2J	24	4.5	28100-22061-71	028000-5864		R	280-7001	Available in Reman Only
02-2FDC20									
1986-1988	2J (OIL CLUTCH)	24	4.5	28300-22061-71	028000-6014		R	280-7059	Available in Reman Only
1986-1988	2J (UL-DS)	24	4.5	28300-22061-71	028000-6014		R	280-7059	Available in Reman Only



YEAR	ENGINE	VOLTS	KW	OEM PART NUMBER	NEW PART NUMBER	SOLENOID ANGLE	TYPE	REMAN PART NUMBER	APPLICATION INFORMATION
TOYOTA (continued)									
02-2FDC20 (continued)									
1980-1986	2J (OIL CLUTCH)	24	4.5	28300-22060-71	028000-6014		R	280-7059	Available in Reman Only
1980-1986	2J (UL-DS)	24	4.5	28300-22060-71	028000-6014		R	280-7059	Available in Reman Only
02-2FDC25									
1986-1988	2J (OIL CLUTCH)	24	4.5	28300-22061-71	028000-6014		R	280-7059	Available in Reman Only
1986-1988	2J (UL-DS)	24	4.5	28300-22061-71	028000-6014		R	280-7059	Available in Reman Only
1980-1986	2J (OIL CLUTCH)	24	4.5	28300-22060-71	028000-6014		R	280-7059	Available in Reman Only
1980-1986	2J (UL-DS)	24	4.5	28300-22060-71	028000-6014		R	280-7059	Available in Reman Only
02-2FDC30									
1986-1988	2J (OIL CLUTCH)	24	4.5	28300-22061-71	028000-6014		R	280-7059	Available in Reman Only
1986-1988	2J (UL-DS)	24	4.5	28300-22061-71	028000-6014		R	280-7059	Available in Reman Only
1980-1986	2J (OIL CLUTCH)	24	4.5	28300-22060-71	028000-6014		R	280-7059	Available in Reman Only
1980-1986	2J (UL-DS)	24	4.5	28300-22060-71	028000-6014		R	280-7059	Available in Reman Only
02-3FD10									
1978-1986	2J (UL-DS)	24	4.5	28300-22060-71	028000-6014		R	280-7059	Available in Reman Only
1986	2J (UL-DS)	24	4.5	28300-22061-71	028000-6014		R	280-7059	Available in Reman Only
02-3FD14									
1978-1986	2J (UL-DS)	24	4.5	28300-22060-71	028000-6014		R	280-7059	Available in Reman Only
1986	2J (UL-DS)	24	4.5	28300-22061-71	028000-6014		R	280-7059	Available in Reman Only
02-3FD15									
1978-1986	2J (UL-DS)	24	4.5	28300-22060-71	028000-6014		R	280-7059	Available in Reman Only
1986	2J (UL-DS)	24	4.5	28300-22061-71	028000-6014		R	280-7059	Available in Reman Only
02-3FD18									
1978-1986	2J (UL-DS)	24	4.5	28300-22060-71	028000-6014		R	280-7059	Available in Reman Only
1986	2J (UL-DS)	24	4.5	28300-22061-71	028000-6014		R	280-7059	Available in Reman Only
02-3FD20									
1978-1986	2J,2JT (OIL CLUTCH)	24	4.5	28300-22060-71	028000-6014		R	280-7059	Available in Reman Only
1978-1986	2J,2JT (UL-DS)	24	4.5	28300-22060-71	028000-6014		R	280-7059	Available in Reman Only
1986	2J,2JT (UL-DS)	24	4.5	28300-22061-71	028000-6014		R	280-7059	Available in Reman Only
1986	2J,2JT (OIL CLUTCH)	24	4.5	28300-22061-71	028000-6014		R	280-7059	Available in Reman Only
02-3FD25									
1978-1986	2J,2JT (OIL CLUTCH)	24	4.5	28300-22060-71	028000-6014		R	280-7059	Available in Reman Only
1978-1986	2J,2JT (UL-DS)	24	4.5	28300-22060-71	028000-6014		R	280-7059	Available in Reman Only
1986	2J,2JT (UL-DS)	24	4.5	28300-22061-71	028000-6014		R	280-7059	Available in Reman Only
1986	2J,2JT (OIL CLUTCH)	24	4.5	28300-22061-71	028000-6014		R	280-7059	Available in Reman Only
02-3FD28									
1978-1986	2J,2JT (UL-DS)	24	4.5	28300-22060-71	028000-6014		R	280-7059	Available in Reman Only
1978-1986	2J,2JT (OIL CLUTCH)	24	4.5	28300-22060-71	028000-6014		R	280-7059	Available in Reman Only
1986	2J,2JT (OIL CLUTCH)	24	4.5	28300-22061-71	028000-6014		R	280-7059	Available in Reman Only
1986	2J,2JT (UL-DS)	24	4.5	28300-22061-71	028000-6014		R	280-7059	Available in Reman Only

STARTER APPLICATIONS



YEAR	ENGINE	VOLTS	KW	OEM PART NUMBER	NEW PART NUMBER	SOLENOID ANGLE	TYPE	REMAN PART NUMBER	APPLICATION INFORMATION
TOYOTA (continued)									
02-3FD30									
1978-1986	2J,2JT (UL-DS)	24	4.5	28300-22060-71	028000-6014		R	280-7059	Available in Reman Only
1978-1986	2J,2JT (OIL CLUTCH)	24	4.5	28300-22060-71	028000-6014		R	280-7059	Available in Reman Only
1986	2J,2JT (OIL CLUTCH)	24	4.5	28300-22061-71	028000-6014		R	280-7059	Available in Reman Only
1986	2J,2JT (UL-DS)	24	4.5	28300-22061-71	028000-6014		R	280-7059	Available in Reman Only
02-4FD20									
1978-1986	2J,2JT (OIL CLUTCH)	24	4.5	28300-22060-71	028000-6014		R	280-7059	Available in Reman Only
1978-1986	2J,2JT (UL-DS)	24	4.5	28300-22060-71	028000-6014		R	280-7059	Available in Reman Only
1986	2J,2JT (UL-DS)	24	4.5	28300-22061-71	028000-6014		R	280-7059	Available in Reman Only
1986	2J,2JT (OIL CLUTCH)	24	4.5	28300-22061-71	028000-6014		R	280-7059	Available in Reman Only
02-4FD23									
1978-1986	2J,2JT (OIL CLUTCH)	24	4.5	28300-22060-71	028000-6014		R	280-7059	Available in Reman Only
1978-1986	2J,2JT (UL-DS)	24	4.5	28300-22060-71	028000-6014		R	280-7059	Available in Reman Only
1986	2J,2JT (UL-DS)	24	4.5	28300-22061-71	028000-6014		R	280-7059	Available in Reman Only
1986	2J,2JT (OIL CLUTCH)	24	4.5	28300-22061-71	028000-6014		R	280-7059	Available in Reman Only
02-4FD25									
1978-1986	2J,2JT (OIL CLUTCH)	24	4.5	28300-22060-71	028000-6014		R	280-7059	Available in Reman Only
1978-1986	2J,2JT (UL-DS)	24	4.5	28300-22060-71	028000-6014		R	280-7059	Available in Reman Only
1986	2J,2JT (UL-DS)	24	4.5	28300-22061-71	028000-6014		R	280-7059	Available in Reman Only
1986	2J,2JT (OIL CLUTCH)	24	4.5	28300-22061-71	028000-6014		R	280-7059	Available in Reman Only
02-5FD20									
1988-1994	1Z (24V..UL-DS)	24	4.5	28300-22062-71	028000-6014		R	280-7059	Available in Reman Only
1988-1994	1Z (24V..OIL CLUTCH)	24	4.5	28300-22062-71	028000-6014		R	280-7059	Available in Reman Only
1986-1988	1Z (24V..OIL CLUTCH)	24	4.5	28300-22061-71	028000-6014		R	280-7059	Available in Reman Only
1986-1988	1Z (24V..UL-DS)	24	4.5	28300-22061-71	028000-6014		R	280-7059	Available in Reman Only
02-5FD23									
1988-1994	1Z (24V..UL-DS)	24	4.5	28300-22062-71	028000-6014		R	280-7059	Available in Reman Only
1988-1994	1Z (24V..OIL CLUTCH)	24	4.5	28300-22062-71	028000-6014		R	280-7059	Available in Reman Only
1986-1988	1Z (24V..OIL CLUTCH)	24	4.5	28300-22061-71	028000-6014		R	280-7059	Available in Reman Only
1986-1988	1Z (24V..UL-DS)	24	4.5	28300-22061-71	028000-6014		R	280-7059	Available in Reman Only
02-5FD25									
1988-1994	1Z (24V..UL-DS)	24	4.5	28300-22062-71	028000-6014		R	280-7059	Available in Reman Only
1988-1994	1Z (24V..OIL CLUTCH)	24	4.5	28300-22062-71	028000-6014		R	280-7059	Available in Reman Only
1986-1988	1Z (24V..OIL CLUTCH)	24	4.5	28300-22061-71	028000-6014		R	280-7059	Available in Reman Only
1986-1988	1Z (24V..UL-DS)	24	4.5	28300-22061-71	028000-6014		R	280-7059	Available in Reman Only



YEAR	ENGINE	VOLTS	kW	OEM PART NUMBER	NEW PART NUMBER	SOLENOID ANGLE	TYPE	REMAN PART NUMBER	APPLICATION INFORMATION
TOYOTA (continued)									
02-5FD25 (continued)									
1986-1988	1Z (24V..UL-DS)	24	4.5	28300-22061-71	028000-6014		R	280-7059	Available in Reman Only
02-5FD28									
1988-1994	1Z (24V..UL-DS)	24	4.5	28300-22062-71	028000-6014		R	280-7059	Available in Reman Only
1988-1994	1Z (24V..OIL CLUTCH)	24	4.5	28300-22062-71	028000-6014		R	280-7059	Available in Reman Only
1986-1988	1Z (24V..OIL CLUTCH)	24	4.5	28300-22061-71	028000-6014		R	280-7059	Available in Reman Only
1986-1988	1Z (24V..UL-DS)	24	4.5	28300-22061-71	028000-6014		R	280-7059	Available in Reman Only
02-5FD30									
1988-1994	1Z (24V..UL-DS)	24	4.5	28300-22062-71	028000-6014		R	280-7059	Available in Reman Only
1988-1994	1Z (24V..OIL CLUTCH)	24	4.5	28300-22062-71	028000-6014		R	280-7059	Available in Reman Only
1986-1988	1Z (24V..OIL CLUTCH)	24	4.5	28300-22061-71	028000-6014		R	280-7059	Available in Reman Only
1986-1988	1Z (24V..UL-DS)	24	4.5	28300-22061-71	028000-6014		R	280-7059	Available in Reman Only
02-5FDU20									
1991-1995	1Z (24V..UL-DS)	24	4.5	28300-22062-71	028000-6014		R	280-7059	Available in Reman Only
02-5FDU25									
1991-1995	1Z (24V..UL-DS)	24	4.5	28300-22062-71	028000-6014		R	280-7059	Available in Reman Only
02-5FDU30									
1991-1995	1Z (24V..UL-DS)	24	4.5	28300-22062-71	028000-6014		R	280-7059	Available in Reman Only
02-FD18									
1978-1986	2J (UL-DS)	24	4.5	28300-22060-71	028000-6014		R	280-7059	Available in Reman Only
1986	2J (UL-DS)	24	4.5	28300-22061-71	028000-6014		R	280-7059	Available in Reman Only
02-FD23									
1978-1986	2J,2JT (OIL CLUTCH)	24	4.5	28300-22060-71	028000-6014		R	280-7059	Available in Reman Only
1978-1986	2J,2JT (UL-DS)	24	4.5	28300-22060-71	028000-6014		R	280-7059	Available in Reman Only
1986	2J,2JT (UL-DS)	24	4.5	28300-22061-71	028000-6014		R	280-7059	Available in Reman Only
1986	2J,2JT (OIL CLUTCH)	24	4.5	28300-22061-71	028000-6014		R	280-7059	Available in Reman Only
02-FD28									
1978-1986	2J,2JT (UL-DS)	24	4.5	28300-22060-71	028000-6014		R	280-7059	Available in Reman Only
1978-1986	2J,2JT (OIL CLUTCH)	24	4.5	28300-22060-71	028000-6014		R	280-7059	Available in Reman Only
1986	2J,2JT (OIL CLUTCH)	24	4.5	28300-22061-71	028000-6014		R	280-7059	Available in Reman Only
1986	2J,2JT (UL-DS)	24	4.5	28300-22061-71	028000-6014		R	280-7059	Available in Reman Only
02-FDC18									
1986-1988	2J (OIL CLUTCH)	24	4.5	28300-22061-71	028000-6014		R	280-7059	Available in Reman Only
1986-1988	2J (UL-DS)	24	4.5	28300-22061-71	028000-6014		R	280-7059	Available in Reman Only
1980-1986	2J (OIL CLUTCH)	24	4.5	28300-22060-71	028000-6014		R	280-7059	Available in Reman Only
1980-1986	2J (UL-DS)	24	4.5	28300-22060-71	028000-6014		R	280-7059	Available in Reman Only
02-FDC23									
1986-1988	2J (OIL CLUTCH)	24	4.5	28300-22061-71	028000-6014		R	280-7059	Available in Reman Only
1986-1988	2J (UL-DS)	24	4.5	28300-22061-71	028000-6014		R	280-7059	Available in Reman Only

STARTER APPLICATIONS



YEAR	ENGINE	VOLTS	KW	OEM PART NUMBER	NEW PART NUMBER	SOLENOID ANGLE	TYPE	REMAN PART NUMBER	APPLICATION INFORMATION
TOYOTA (continued)									
02-FDC23 (continued)									
1980-1986	2J (OIL CLUTCH)	24	4.5	28300-22060-71	028000-6014		R	280-7059	Available in Reman Only
1980-1986	2J (UL-DS)	24	4.5	28300-22060-71	028000-6014		R	280-7059	Available in Reman Only
02-FDC28									
1986-1988	2J (OIL CLUTCH)	24	4.5	28300-22061-71	028000-6014		R	280-7059	Available in Reman Only
1986-1988	2J (UL-DS)	24	4.5	28300-22061-71	028000-6014		R	280-7059	Available in Reman Only
1980-1986	2J (OIL CLUTCH)	24	4.5	28300-22060-71	028000-6014		R	280-7059	Available in Reman Only
1980-1986	2J (UL-DS)	24	4.5	28300-22060-71	028000-6014		R	280-7059	Available in Reman Only
04-5FD28									
1988-1994	1Z (24V..UL-DS)	24	4.5	28300-22062-71	028000-6014		R	280-7059	Available in Reman Only
1988-1994	1Z (24V..OIL CLUTCH)	24	4.5	28300-22062-71	028000-6014		R	280-7059	Available in Reman Only
1986-1988	1Z (24V..OIL CLUTCH)	24	4.5	28300-22061-71	028000-6014		R	280-7059	Available in Reman Only
1986-1988	1Z (24V..UL-DS)	24	4.5	28300-22061-71	028000-6014		R	280-7059	Available in Reman Only
04-5FD30									
1988-1994	1Z (24V..UL-DS)	24	4.5	28300-22062-71	028000-6014		R	280-7059	Available in Reman Only
1988-1994	1Z (24V..OIL CLUTCH)	24	4.5	28300-22062-71	028000-6014		R	280-7059	Available in Reman Only
1986-1988	1Z (24V..OIL CLUTCH)	24	4.5	28300-22061-71	028000-6014		R	280-7059	Available in Reman Only
1986-1988	1Z (24V..UL-DS)	24	4.5	28300-22061-71	028000-6014		R	280-7059	Available in Reman Only
2FDC20									
1986-1988	2J (OIL CLUTCH)	24	4.5	28300-22061-71	028000-6014		R	280-7059	Available in Reman Only
1986-1988	2J (UL-DS)	24	4.5	28300-22061-71	028000-6014		R	280-7059	Available in Reman Only
1980-1986	2J (OIL CLUTCH)	24	4.5	28300-22060-71	028000-6014		R	280-7059	Available in Reman Only
1980-1986	2J (UL-DS)	24	4.5	28300-22060-71	028000-6014		R	280-7059	Available in Reman Only
2FDC25									
1986-1988	2J (OIL CLUTCH)	24	4.5	28300-22061-71	028000-6014		R	280-7059	Available in Reman Only
1986-1988	2J (UL-DS)	24	4.5	28300-22061-71	028000-6014		R	280-7059	Available in Reman Only
1980-1986	2J (OIL CLUTCH)	24	4.5	28300-22060-71	028000-6014		R	280-7059	Available in Reman Only
1980-1986	2J (UL-DS)	24	4.5	28300-22060-71	028000-6014		R	280-7059	Available in Reman Only
2FDC30									
1986-1988	2J (OIL CLUTCH)	24	4.5	28300-22061-71	028000-6014		R	280-7059	Available in Reman Only
1986-1988	2J (UL-DS)	24	4.5	28300-22061-71	028000-6014		R	280-7059	Available in Reman Only
1980-1986	2J (OIL CLUTCH)	24	4.5	28300-22060-71	028000-6014		R	280-7059	Available in Reman Only
1980-1986	2J (UL-DS)	24	4.5	28300-22060-71	028000-6014		R	280-7059	Available in Reman Only
3FD10									
1978-1986	2J (UL-DS)	24	4.5	28300-22060-71	028000-6014		R	280-7059	Available in Reman Only
1986	2J (UL-DS)	24	4.5	28300-22061-71	028000-6014		R	280-7059	Available in Reman Only
3FD14									
1978-1986	2J (UL-DS)	24	4.5	28300-22060-71	028000-6014		R	280-7059	Available in Reman Only
1986	2J (UL-DS)	24	4.5	28300-22061-71	028000-6014		R	280-7059	Available in Reman Only
3FD15									
1978-1986	2J (UL-DS)	24	4.5	28300-22060-71	028000-6014		R	280-7059	Available in Reman Only
1986	2J (UL-DS)	24	4.5	28300-22061-71	028000-6014		R	280-7059	Available in Reman Only



YEAR	ENGINE	VOLTS	kW	OEM PART NUMBER	NEW PART NUMBER	SOLENOID ANGLE	TYPE	REMAN PART NUMBER	APPLICATION INFORMATION
TOYOTA (continued)									
3FD18									
1978-1986	2J (UL-DS)	24	4.5	28300-22060-71	028000-6014		R	280-7059	Available in Reman Only
1986	2J (UL-DS)	24	4.5	28300-22061-71	028000-6014		R	280-7059	Available in Reman Only
3FD20									
1978-1986	2J,2JT (OIL CLUTCH)	24	4.5	28300-22060-71	028000-6014		R	280-7059	Available in Reman Only
1978-1986	2J,2JT (UL-DS)	24	4.5	28300-22060-71	028000-6014		R	280-7059	Available in Reman Only
1986	2J,2JT (UL-DS)	24	4.5	28300-22061-71	028000-6014		R	280-7059	Available in Reman Only
1986	2J,2JT (OIL CLUTCH)	24	4.5	28300-22061-71	028000-6014		R	280-7059	Available in Reman Only
3FD25									
1978-1986	2J,2JT (OIL CLUTCH)	24	4.5	28300-22060-71	028000-6014		R	280-7059	Available in Reman Only
1978-1986	2J,2JT (UL-DS)	24	4.5	28300-22060-71	028000-6014		R	280-7059	Available in Reman Only
1986	2J,2JT (UL-DS)	24	4.5	28300-22061-71	028000-6014		R	280-7059	Available in Reman Only
1986	2J,2JT (OIL CLUTCH)	24	4.5	28300-22061-71	028000-6014		R	280-7059	Available in Reman Only
3FD28									
1978-1986	2J,2JT (UL-DS)	24	4.5	28300-22060-71	028000-6014		R	280-7059	Available in Reman Only
1978-1986	2J,2JT (OIL CLUTCH)	24	4.5	28300-22060-71	028000-6014		R	280-7059	Available in Reman Only
1986	2J,2JT (OIL CLUTCH)	24	4.5	28300-22061-71	028000-6014		R	280-7059	Available in Reman Only
1986	2J,2JT (UL-DS)	24	4.5	28300-22061-71	028000-6014		R	280-7059	Available in Reman Only
3FD30									
1978-1986	2J,2JT (UL-DS)	24	4.5	28300-22060-71	028000-6014		R	280-7059	Available in Reman Only
1978-1986	2J,2JT (OIL CLUTCH)	24	4.5	28300-22060-71	028000-6014		R	280-7059	Available in Reman Only
1986	2J,2JT (OIL CLUTCH)	24	4.5	28300-22061-71	028000-6014		R	280-7059	Available in Reman Only
1986	2J,2JT (UL-DS)	24	4.5	28300-22061-71	028000-6014		R	280-7059	Available in Reman Only
4FD20									
1978-1986	2J,2JT (OIL CLUTCH)	24	4.5	28300-22060-71	028000-6014		R	280-7059	Available in Reman Only
1978-1986	2J,2JT (UL-DS)	24	4.5	28300-22060-71	028000-6014		R	280-7059	Available in Reman Only
1986	2J,2JT (UL-DS)	24	4.5	28300-22061-71	028000-6014		R	280-7059	Available in Reman Only
1986	2J,2JT (OIL CLUTCH)	24	4.5	28300-22061-71	028000-6014		R	280-7059	Available in Reman Only
4FD23									
1978-1986	2J,2JT (OIL CLUTCH)	24	4.5	28300-22060-71	028000-6014		R	280-7059	Available in Reman Only
1978-1986	2J,2JT (UL-DS)	24	4.5	28300-22060-71	028000-6014		R	280-7059	Available in Reman Only
1986	2J,2JT (UL-DS)	24	4.5	28300-22061-71	028000-6014		R	280-7059	Available in Reman Only
1986	2J,2JT (OIL CLUTCH)	24	4.5	28300-22061-71	028000-6014		R	280-7059	Available in Reman Only

STARTER APPLICATIONS



YEAR	ENGINE	VOLTS	KW	OEM PART NUMBER	NEW PART NUMBER	SOLENOID ANGLE	TYPE	REMAN PART NUMBER	APPLICATION INFORMATION
TOYOTA (continued)									
4FD25									
1978-1986	2J,2JT (OIL CLUTCH)	24	4.5	28300-22060-71	028000-6014		R	280-7059	Available in Reman Only
1978-1986	2J,2JT (UL-DS)	24	4.5	28300-22060-71	028000-6014		R	280-7059	Available in Reman Only
1986	2J,2JT (UL-DS)	24	4.5	28300-22061-71	028000-6014		R	280-7059	Available in Reman Only
1986	2J,2JT (OIL CLUTCH)	24	4.5	28300-22061-71	028000-6014		R	280-7059	Available in Reman Only
50-3FD28									
1978-1986	2J,2JT (UL-DS)	24	4.5	28300-22060-71	028000-6014		R	280-7059	Available in Reman Only
1978-1986	2J,2JT (OIL CLUTCH)	24	4.5	28300-22060-71	028000-6014		R	280-7059	Available in Reman Only
1986	2J,2JT (OIL CLUTCH)	24	4.5	28300-22061-71	028000-6014		R	280-7059	Available in Reman Only
1986	2J,2JT (UL-DS)	24	4.5	28300-22061-71	028000-6014		R	280-7059	Available in Reman Only
50-3FD30									
1978-1986	2J,2JT (UL-DS)	24	4.5	28300-22060-71	028000-6014		R	280-7059	Available in Reman Only
1978-1986	2J,2JT (OIL CLUTCH)	24	4.5	28300-22060-71	028000-6014		R	280-7059	Available in Reman Only
1986	2J,2JT (OIL CLUTCH)	24	4.5	28300-22061-71	028000-6014		R	280-7059	Available in Reman Only
1986	2J,2JT (UL-DS)	24	4.5	28300-22061-71	028000-6014		R	280-7059	Available in Reman Only
50-4FD20									
1978-1986	2J,2JT (OIL CLUTCH)	24	4.5	28300-22060-71	028000-6014		R	280-7059	Available in Reman Only
1978-1986	2J,2JT (UL-DS)	24	4.5	28300-22060-71	028000-6014		R	280-7059	Available in Reman Only
1986	2J,2JT (UL-DS)	24	4.5	28300-22061-71	028000-6014		R	280-7059	Available in Reman Only
1986	2J,2JT (OIL CLUTCH)	24	4.5	28300-22061-71	028000-6014		R	280-7059	Available in Reman Only
50-4FD23									
1978-1986	2J,2JT (OIL CLUTCH)	24	4.5	28300-22060-71	028000-6014		R	280-7059	Available in Reman Only
1978-1986	2J,2JT (UL-DS)	24	4.5	28300-22060-71	028000-6014		R	280-7059	Available in Reman Only
1986	2J,2JT (UL-DS)	24	4.5	28300-22061-71	028000-6014		R	280-7059	Available in Reman Only
1986	2J,2JT (OIL CLUTCH)	24	4.5	28300-22061-71	028000-6014		R	280-7059	Available in Reman Only
50-4FD25									
1978-1986	2J,2JT (OIL CLUTCH)	24	4.5	28300-22060-71	028000-6014		R	280-7059	Available in Reman Only
1978-1986	2J,2JT (UL-DS)	24	4.5	28300-22060-71	028000-6014		R	280-7059	Available in Reman Only
1986	2J,2JT (UL-DS)	24	4.5	28300-22061-71	028000-6014		R	280-7059	Available in Reman Only
1986	2J,2JT (OIL CLUTCH)	24	4.5	28300-22061-71	028000-6014		R	280-7059	Available in Reman Only
52-3FD28									
1978-1986	2J,2JT (UL-DS)	24	4.5	28300-22060-71	028000-6014		R	280-7059	Available in Reman Only
1978-1986	2J,2JT (OIL CLUTCH)	24	4.5	28300-22060-71	028000-6014		R	280-7059	Available in Reman Only
1986	2J,2JT (OIL CLUTCH)	24	4.5	28300-22061-71	028000-6014		R	280-7059	Available in Reman Only



YEAR	ENGINE	VOLTS	KW	OEM PART NUMBER	NEW PART NUMBER	SOLENOID ANGLE	TYPE	REMAN PART NUMBER	APPLICATION INFORMATION
TOYOTA (continued)									
52-3FD28 (continued)									
1986	2J,2JT (UL-DS)	24	4.5	28300-22061-71	028000-6014		R	280-7059	Available in Reman Only
52-3FD30									
1978-1986	2J,2JT (UL-DS)	24	4.5	28300-22060-71	028000-6014		R	280-7059	Available in Reman Only
1978-1986	2J,2JT (OIL CLUTCH)	24	4.5	28300-22060-71	028000-6014		R	280-7059	Available in Reman Only
1986	2J,2JT (OIL CLUTCH)	24	4.5	28300-22061-71	028000-6014		R	280-7059	Available in Reman Only
1986	2J,2JT (UL-DS)	24	4.5	28300-22061-71	028000-6014		R	280-7059	Available in Reman Only
52-4FD20									
1978-1986	2J,2JT (OIL CLUTCH)	24	4.5	28300-22060-71	028000-6014		R	280-7059	Available in Reman Only
1978-1986	2J,2JT (UL-DS)	24	4.5	28300-22060-71	028000-6014		R	280-7059	Available in Reman Only
1986	2J,2JT (UL-DS)	24	4.5	28300-22061-71	028000-6014		R	280-7059	Available in Reman Only
1986	2J,2JT (OIL CLUTCH)	24	4.5	28300-22061-71	028000-6014		R	280-7059	Available in Reman Only
52-4FD23									
1978-1986	2J,2JT (OIL CLUTCH)	24	4.5	28300-22060-71	028000-6014		R	280-7059	Available in Reman Only
1978-1986	2J,2JT (UL-DS)	24	4.5	28300-22060-71	028000-6014		R	280-7059	Available in Reman Only
1986	2J,2JT (UL-DS)	24	4.5	28300-22061-71	028000-6014		R	280-7059	Available in Reman Only
1986	2J,2JT (OIL CLUTCH)	24	4.5	28300-22061-71	028000-6014		R	280-7059	Available in Reman Only
52-4FD25									
1978-1986	2J,2JT (OIL CLUTCH)	24	4.5	28300-22060-71	028000-6014		R	280-7059	Available in Reman Only
1978-1986	2J,2JT (UL-DS)	24	4.5	28300-22060-71	028000-6014		R	280-7059	Available in Reman Only
1986	2J,2JT (UL-DS)	24	4.5	28300-22061-71	028000-6014		R	280-7059	Available in Reman Only
1986	2J,2JT (OIL CLUTCH)	24	4.5	28300-22061-71	028000-6014		R	280-7059	Available in Reman Only
5FD20									
1988-1994	1Z (24V..UL-DS)	24	4.5	28300-22062-71	028000-6014		R	280-7059	Available in Reman Only
1988-1994	1Z (24V..OIL CLUTCH)	24	4.5	28300-22062-71	028000-6014		R	280-7059	Available in Reman Only
1986-1988	1Z (24V..OIL CLUTCH)	24	4.5	28300-22061-71	028000-6014		R	280-7059	Available in Reman Only
1986-1988	1Z (24V..UL-DS)	24	4.5	28300-22061-71	028000-6014		R	280-7059	Available in Reman Only
5FD23									
1988-1994	1Z (24V..UL-DS)	24	4.5	28300-22062-71	028000-6014		R	280-7059	Available in Reman Only
1988-1994	1Z (24V..OIL CLUTCH)	24	4.5	28300-22062-71	028000-6014		R	280-7059	Available in Reman Only
1986-1988	1Z (24V..OIL CLUTCH)	24	4.5	28300-22061-71	028000-6014		R	280-7059	Available in Reman Only
1986-1988	1Z (24V..UL-DS)	24	4.5	28300-22061-71	028000-6014		R	280-7059	Available in Reman Only
5FD25									
1988-1994	1Z (24V..UL-DS)	24	4.5	28300-22062-71	028000-6014		R	280-7059	Available in Reman Only
1988-1994	1Z (24V..OIL CLUTCH)	24	4.5	28300-22062-71	028000-6014		R	280-7059	Available in Reman Only

STARTER APPLICATIONS



YEAR	ENGINE	VOLTS	KW	OEM PART NUMBER	NEW PART NUMBER	SOLENOID ANGLE	TYPE	REMAN PART NUMBER	APPLICATION INFORMATION
TOYOTA (continued)									
5FD25 (continued)									
1986-1988	1Z (24V..OIL CLUTCH)	24	4.5	28300-22061-71	028000-6014		R	280-7059	Available in Reman Only
1986-1988	1Z (24V..UL-DS)	24	4.5	28300-22061-71	028000-6014		R	280-7059	Available in Reman Only
5FD28									
1988-1994	1Z (24V..UL-DS)	24	4.5	28300-22062-71	028000-6014		R	280-7059	Available in Reman Only
1988-1994	1Z (24V..OIL CLUTCH)	24	4.5	28300-22062-71	028000-6014		R	280-7059	Available in Reman Only
1986-1988	1Z (24V..OIL CLUTCH)	24	4.5	28300-22061-71	028000-6014		R	280-7059	Available in Reman Only
1986-1988	1Z (24V..UL-DS)	24	4.5	28300-22061-71	028000-6014		R	280-7059	Available in Reman Only
5FD30									
1988-1994	1Z (24V..UL-DS)	24	4.5	28300-22062-71	028000-6014		R	280-7059	Available in Reman Only
1988-1994	1Z (24V..OIL CLUTCH)	24	4.5	28300-22062-71	028000-6014		R	280-7059	Available in Reman Only
1986-1988	1Z (24V..OIL CLUTCH)	24	4.5	28300-22061-71	028000-6014		R	280-7059	Available in Reman Only
1986-1988	1Z (24V..UL-DS)	24	4.5	28300-22061-71	028000-6014		R	280-7059	Available in Reman Only
6FD20									
1993-1998	2Z..MTM (24V..OIL CLUTCH)	24	4.5	28300-22062-71	028000-6014		R	280-7059	Available in Reman Only
6FD23									
1993-1998	2Z..MTM (24V..OIL CLUTCH)	24	4.5	28300-22062-71	028000-6014		R	280-7059	Available in Reman Only
6FD25									
1993-1998	2Z..MTM (24V..OIL CLUTCH)	24	4.5	28300-22062-71	028000-6014		R	280-7059	Available in Reman Only
6FD28									
1994-1998	2Z..MTM (24V..OIL CLUTCH)	24	4.5	28300-22062-71	028000-6014		R	280-7059	Available in Reman Only
6FD30									
1994-1998	2Z..MTM (24V..OIL CLUTCH)	24	4.5	28300-22062-71	028000-6014		R	280-7059	Available in Reman Only
FD18									
1978-1986	2J (UL-DS)	24	4.5	28300-22060-71	028000-6014		R	280-7059	Available in Reman Only
1986	2J (UL-DS)	24	4.5	28300-22061-71	028000-6014		R	280-7059	Available in Reman Only
FD23									
1978-1986	2J,2JT (OIL CLUTCH)	24	4.5	28300-22060-71	028000-6014		R	280-7059	Available in Reman Only
1978-1986	2J,2JT (UL-DS)	24	4.5	28300-22060-71	028000-6014		R	280-7059	Available in Reman Only
1986	2J,2JT (UL-DS)	24	4.5	28300-22061-71	028000-6014		R	280-7059	Available in Reman Only
1986	2J,2JT (OIL CLUTCH)	24	4.5	28300-22061-71	028000-6014		R	280-7059	Available in Reman Only
FD28									
1978-1986	2J,2JT (UL-DS)	24	4.5	28300-22060-71	028000-6014		R	280-7059	Available in Reman Only



YEAR	ENGINE	VOLTS	kW	OEM PART NUMBER	NEW PART NUMBER	SOLENOID ANGLE	TYPE	REMAN PART NUMBER	APPLICATION INFORMATION
TOYOTA (continued)									
FD28 (continued)									
1978-1986	2J,2JT (OIL CLUTCH)	24	4.5	28300-22060-71	028000-6014		R	280-7059	Available in Reman Only
1986	2J,2JT (OIL CLUTCH)	24	4.5	28300-22061-71	028000-6014		R	280-7059	Available in Reman Only
1986	2J,2JT (UL-DS)	24	4.5	28300-22061-71	028000-6014		R	280-7059	Available in Reman Only
FDC18									
1986-1988	2J (OIL CLUTCH)	24	4.5	28300-22061-71	028000-6014		R	280-7059	Available in Reman Only
1986-1988	2J (UL-DS)	24	4.5	28300-22061-71	028000-6014		R	280-7059	Available in Reman Only
2SG12									
1983-1990	4P,5R..MTM	12	0.8	28100-37011,28100-76011-71	028000-6813		G	280-7010	Available in Reman Only
2SGH10									
1983-1990	4P,5R..MTM	12	0.8	28100-37011,28100-76011-71	028000-6813		G	280-7010	Available in Reman Only
2SGH7									
1983-1992	4P..MTM (11-INCH)	12	0.8	28100-37011,28100-76011-71	028000-6813		G	280-7010	Available in Reman Only
2SGK6									
1986-1992	4P	12	0.8	28100-37011,28100-76011-71	028000-6813		G	280-7010	Available in Reman Only
40-2SG10									
1983-1990	4P,5R..MTM	12	0.8	28100-37011,28100-76011-71	028000-6813		G	280-7010	Available in Reman Only
40-4FG10									
1978-1986	4P,5R..MTM (11-INCH)	12	0.8	28100-37011,28100-76011-71	028000-6813		G	280-7010	Available in Reman Only
40-4FG14									
1978-1986	4P,5R..MTM (11-INCH)	12	0.8	28100-37011,28100-76011-71	028000-6813		G	280-7010	Available in Reman Only
40-4FG15									
1978-1986	4P,5R..MTM (11-INCH)	12	0.8	28100-37011,28100-76011-71	028000-6813		G	280-7010	Available in Reman Only
40-4FG18									
1978-1986	4P,5R..MTM (11-INCH)	12	0.8	28100-37011,28100-76011-71	028000-6813		G	280-7010	Available in Reman Only
40-4FG20									
1983-1986	4P,5R..MTM (11-INCH)	12	0.8	28100-37011,28100-76011-71	028000-6813		G	280-7010	Available in Reman Only
40-4FG23									
1983-1986	4P,5R..MTM (11-INCH)	12	0.8	28100-37011,28100-76011-71	028000-6813		G	280-7010	Available in Reman Only
40-4FG25									
1983-1986	4P,5R..MTM (11-INCH)	12	0.8	28100-37011,28100-76011-71	028000-6813		G	280-7010	Available in Reman Only
40-FG18									
1978-1986	4P,5R..MTM (11-INCH)	12	0.8	28100-37011,28100-76011-71	028000-6813		G	280-7010	Available in Reman Only

STARTER APPLICATIONS



YEAR	ENGINE	VOLTS	KW	OEM PART NUMBER	NEW PART NUMBER	SOLENOID ANGLE	TYPE	REMAN PART NUMBER	APPLICATION INFORMATION
TOYOTA (continued)									
4FG10									
1978-1986	4P, 5R...MTM (11-INCH)	12	0.8	28100-37011, 28100-76011-71	028000-6813		G	280-7010	Available in Reman Only
4FG14									
1978-1986	4P, 5R...MTM (11-INCH)	12	0.8	28100-37011, 28100-76011-71	028000-6813		G	280-7010	Available in Reman Only
4FG15									
1978-1986	4P, 5R...MTM (11-INCH)	12	0.8	28100-37011, 28100-76011-71	028000-6813		G	280-7010	Available in Reman Only
4FG18									
1978-1986	4P, 5R...MTM (11-INCH)	12	0.8	28100-37011, 28100-76011-71	028000-6813		G	280-7010	Available in Reman Only
4FG20									
1983-1986	4P, 5R...MTM (11-INCH)	12	0.8	28100-37011, 28100-76011-71	028000-6813		G	280-7010	Available in Reman Only
4FG23									
1983-1986	4P, 5R...MTM (11-INCH)	12	0.8	28100-37011, 28100-76011-71	028000-6813		G	280-7010	Available in Reman Only
4FG25									
1983-1986	4P, 5R...MTM (11-INCH)	12	0.8	28100-37011, 28100-76011-71	028000-6813		G	280-7010	Available in Reman Only
FG18									
1978-1986	4P, 5R...MTM (11-INCH)	12	0.8	28100-37011, 28100-76011-71	028000-6813		G	280-7010	Available in Reman Only
SGK6									
1983-1986	4P	12	0.8	28100-37011, 28100-76011-71	028000-6813		G	280-7010	Available in Reman Only
TG20									
1979-1989	5R...MTM	12	0.8	28100-37011, 28100-76011-71	028000-6813		G	280-7010	Available in Reman Only
TG25									
1979-1989	5R...MTM	12	0.8	28100-37011, 28100-76011-71	028000-6813		G	280-7010	Available in Reman Only
40-2FG7									
1983-1992	4P	12	0.8	28100-31021	028000-6823		G	280-7014	Available in Reman Only
1981-1992	4P (UL-GS) [G101 H003]	12	0.8	28100-31021	028000-6823		G	280-7014	Available in Reman Only
40-2FG9									
1983-1992	4P	12	0.8	28100-31021	028000-6823		G	280-7014	Available in Reman Only
1981-1992	4P (UL-GS) [G101 H003]	12	0.8	28100-31021	028000-6823		G	280-7014	Available in Reman Only
4FG10									
1980-1981	4P...MTM (9-INCH)	12	0.8	28100-31021	028000-6823		G	280-7014	Available in Reman Only
4FG14									
1980-1981	4P...MTM (9-INCH)	12	0.8	28100-31021	028000-6823		G	280-7014	Available in Reman Only



YEAR	ENGINE	VOLTS	kW	OEM PART NUMBER	NEW PART NUMBER	SOLENOID ANGLE	TYPE	REMAN PART NUMBER	APPLICATION INFORMATION
TOYOTA (continued)									
4FG15									
1980-1981	4P..MTM (9-INCH)	12	0.8	28100-31021	028000-6823		G	280-7014	Available in Reman Only
4FG20									
1983-1986	4P..MTM (9-INCH)	12	0.8	28100-31021	028000-6823		G	280-7014	Available in Reman Only
4FG23									
1983-1986	4P..MTM (9-INCH)	12	0.8	28100-31021	028000-6823		G	280-7014	Available in Reman Only
4FG25									
1983-1986	4P..MTM (9-INCH)	12	0.8	28100-31021	028000-6823		G	280-7014	Available in Reman Only
FG18									
1980-1981	4P..MTM (9-INCH)	12	0.8	28100-31021	028000-6823		G	280-7014	Available in Reman Only
FDC18									
1980-1986	2J (OIL CLUTCH)	24	4.5	28300-22060-71	028000-6014		R	280-7059	Available in Reman Only
1980-1986	2J (UL-DS)	24	4.5	28300-22060-71	028000-6014		R	280-7059	Available in Reman Only
FDC23									
1986-1988	2J (OIL CLUTCH)	24	4.5	28300-22061-71	028000-6014		R	280-7059	Available in Reman Only
1986-1988	2J (UL-DS)	24	4.5	28300-22061-71	028000-6014		R	280-7059	Available in Reman Only
2FG7									
1982-1992	3P	12	0.8	28100-31030	028000-7521		G	280-7009	Available in Reman Only
2FG9									
1982-1992	3P	12	0.8	28100-31030	028000-7521		G	280-7009	Available in Reman Only
TG10									
1975-1997	3P	12	0.8	28100-31030	028000-7521		G	280-7009	Available in Reman Only
FDC23									
1980-1986	2J (OIL CLUTCH)	24	4.5	28300-22060-71	028000-6014		R	280-7059	Available in Reman Only
1980-1986	2J (UL-DS)	24	4.5	28300-22060-71	028000-6014		R	280-7059	Available in Reman Only
FDC28									
1986-1988	2J (OIL CLUTCH)	24	4.5	28300-22061-71	028000-6014		R	280-7059	Available in Reman Only
1986-1988	2J (UL-DS)	24	4.5	28300-22061-71	028000-6014		R	280-7059	Available in Reman Only
1980-1986	2J (OIL CLUTCH)	24	4.5	28300-22060-71	028000-6014		R	280-7059	Available in Reman Only
1980-1986	2J (UL-DS)	24	4.5	28300-22060-71	028000-6014		R	280-7059	Available in Reman Only
3FD33									
1980-1988	2H..MTM	24	4.5	28300-31960-71	028000-7453		R	280-7006	Available in Reman Only
3FD35									
1980-1988	2H..MTM	24	4.5	28300-31960-71	028000-7453		R	280-7006	Available in Reman Only
3FD40									
1980-1988	2H..MTM	24	4.5	28300-31960-71	028000-7453		R	280-7006	Available in Reman Only
FDE35									
1980-1988	2H..MTM	24	4.5	28300-31960-71	028000-7453		R	280-7006	Available in Reman Only

STARTER APPLICATIONS



YEAR	ENGINE	VOLTS	KW	OEM PART NUMBER	NEW PART NUMBER	SOLENOID ANGLE	TYPE	REMAN PART NUMBER	APPLICATION INFORMATION
TOYOTA (continued)									
02-3FD33									
1980-1988	2H..ATM	24	4.5	28100-31625-71	028000-7812		R	280-7003	Available in Reman Only
02-3FD35									
1980-1988	2H..ATM	24	4.5	28100-31625-71	028000-7812		R	280-7003	Available in Reman Only
02-3FD40									
1980-1988	2H..ATM	24	4.5	28100-31625-71	028000-7812		R	280-7003	Available in Reman Only
02-3TD35									
1982-Up	2H	24	4.5	28100-31625-71	028000-7812		R	280-7003	Available in Reman Only
02-FDE35									
1980-1988	2H..ATM	24	4.5	28100-31625-71	028000-7812		R	280-7003	Available in Reman Only
3FD50									
1980-1990	2H	24	4.5	28100-31625-71	028000-7812		R	280-7003	Available in Reman Only
3FD60									
1980-1990	2H	24	4.5	28100-31625-71	028000-7812		R	280-7003	Available in Reman Only
3FG33									
1983-1988	2F..MTM	12	1.4	28100-31972-71	128000-0472		IIR	280-7004	Available in Reman Only
3FG35									
1983-1988	2F..MTM	12	1.4	28100-31972-71	128000-0472		IIR	280-7004	Available in Reman Only
3FG40									
1983-1988	2F..MTM	12	1.4	28100-31972-71	128000-0472		IIR	280-7004	Available in Reman Only
5FG33									
1988-1994	3F..MTM	12	1.4	28100-31972-71	128000-0472		IIR	280-7004	Available in Reman Only
5FG35									
1988-1994	3F..MTM	12	1.4	28100-31972-71	128000-0472		IIR	280-7004	Available in Reman Only
5FG40									
1988-1994	3F..MTM	12	1.4	28100-31972-71	128000-0472		IIR	280-7004	Available in Reman Only
5FG45									
1988-1994	3F..MTM	12	1.4	28100-31972-71	128000-0472		IIR	280-7004	Available in Reman Only
5FGE35									
1988-1994	3F..MTM	12	1.4	28100-31972-71	128000-0472		IIR	280-7004	Available in Reman Only
FG45									
1984-1988	2F..45 (OIL CLUTCH)	12	1.4	28100-31972-71	128000-0472		IIR	280-7004	Available in Reman Only
FGE35									
1983-1988	2F..MTM	12	1.4	28100-31972-71	128000-0472		IIR	280-7004	Available in Reman Only
02-2FG28									
1978-1986	5P	12	1.4	28100-20552-71	128000-0623		IIR	280-7000	Available in Reman Only
02-2FG30									
1978-1986	5P	12	1.4	28100-20552-71	128000-0623		IIR	280-7000	Available in Reman Only
02-2SG12									
1977-1990	5R..ATM (REDUCTION)	12	1.4	28100-20552-71	128000-0623		IIR	280-7000	Available in Reman Only



YEAR	ENGINE	VOLTS	kW	OEM PART NUMBER	NEW PART NUMBER	SOLENOID ANGLE	TYPE	REMAN PART NUMBER	APPLICATION INFORMATION
TOYOTA (continued)									
02-2SGH10									
1981-1990	4P.ATM (REDUCTION)	12	1.4	28100-20552-71	128000-0623		IIR	280-7000	Available in Reman Only
02-2SGH7									
1978-1992	4P.ATM (REDUCTION)	12	1.4	28100-20552-71	128000-0623		IIR	280-7000	Available in Reman Only
02-2TG20									
1989-1994	4Y..ATM	12	1.4	28100-20552-71	128000-0623		IIR	280-7000	Available in Reman Only
02-2TG25									
1989-1994	4Y..ATM	12	1.4	28100-20552-71	128000-0623		IIR	280-7000	Available in Reman Only
02-3FG20									
1978-1983	4P,5R..ATM	12	1.4	28100-20552-71	128000-0623		IIR	280-7000	Available in Reman Only
02-3FG25									
1978-1983	4P,5R..ATM	12	1.4	28100-20552-71	128000-0623		IIR	280-7000	Available in Reman Only
02-3FG33									
1980-1988	2F..ATM	12	1.4	28100-20552-71	128000-0623		IIR	280-7000	Available in Reman Only
02-3FG35									
1980-1988	2F..ATM	12	1.4	28100-20552-71	128000-0623		IIR	280-7000	Available in Reman Only
02-3FG40									
1980-1988	2F..ATM	12	1.4	28100-20552-71	128000-0623		IIR	280-7000	Available in Reman Only
02-3FGC10									
1980-1988	4P	12	1.4	28100-20552-71	128000-0623		IIR	280-7000	Available in Reman Only
02-3FGC13									
1980-1988	4P	12	1.4	28100-20552-71	128000-0623		IIR	280-7000	Available in Reman Only
02-3FGC15									
1980-1988	4P	12	1.4	28100-20552-71	128000-0623		IIR	280-7000	Available in Reman Only
02-3FGC30									
1980-1988	5P	12	1.4	28100-20552-71	128000-0623		IIR	280-7000	Available in Reman Only
02-3TG35									
1982-1994	2F	12	1.4	28100-20552-71	128000-0623		IIR	280-7000	Available in Reman Only
02-4FG10									
1978-1986	4P,5R..ATM	12	1.4	28100-20552-71	128000-0623		IIR	280-7000	Available in Reman Only
02-4FG14									
1978-1986	4P,5R..ATM	12	1.4	28100-20552-71	128000-0623		IIR	280-7000	Available in Reman Only
02-4FG15									
1978-1986	4P,5R..ATM	12	1.4	28100-20552-71	128000-0623		IIR	280-7000	Available in Reman Only
02-4FG18									
1978-1986	4P,5R..ATM	12	1.4	28100-20552-71	128000-0623		IIR	280-7000	Available in Reman Only
02-4FG20									
1978-1986	4P,5R..ATM	12	1.4	28100-20552-71	128000-0623		IIR	280-7000	Available in Reman Only
02-4FG23									
1978-1986	4P,5R..ATM	12	1.4	28100-20552-71	128000-0623		IIR	280-7000	Available in Reman Only

STARTER APPLICATIONS



YEAR	ENGINE	VOLTS	KW	OEM PART NUMBER	NEW PART NUMBER	SOLENOID ANGLE	TYPE	REMAN PART NUMBER	APPLICATION INFORMATION
TOYOTA (continued)									
02-4FG25									
1978-1986	4P, 5R..ATM	12	1.4	28100-20552-71	128000-0623		IIR	280-7000	Available in Reman Only
02-4FGC20									
1980-1988	4P, 5P, 5R	12	1.4	28100-20552-71	128000-0623		IIR	280-7000	Available in Reman Only
02-4FGC25									
1980-1988	4P, 5P, 5R	12	1.4	28100-20552-71	128000-0623		IIR	280-7000	Available in Reman Only
02-5FG10									
1986-1989	4P, 4Y..ATM	12	1.4	28100-20552-71	128000-0623		IIR	280-7000	Available in Reman Only
02-5FG14									
1986-1989	4P, 4Y..ATM	12	1.4	28100-20552-71	128000-0623		IIR	280-7000	Available in Reman Only
02-5FG15									
1986-1989	4P, 4Y..ATM	12	1.4	28100-20552-71	128000-0623		IIR	280-7000	Available in Reman Only
02-5FG18									
1986-1989	4P, 4Y..ATM	12	1.4	28100-20552-71	128000-0623		IIR	280-7000	Available in Reman Only
02-5FG20									
1986-1989	4P, 4Y..ATM	12	1.4	28100-20552-71	128000-0623		IIR	280-7000	Available in Reman Only
02-5FG23									
1986-1989	4P, 4Y..ATM	12	1.4	28100-20552-71	128000-0623		IIR	280-7000	Available in Reman Only
02-5FG25									
1986-1989	4P, 4Y..ATM	12	1.4	28100-20552-71	128000-0623		IIR	280-7000	Available in Reman Only
02-5FG28									
1986-1994	4Y..ATM	12	1.4	28100-20552-71	128000-0623		IIR	280-7000	Available in Reman Only
02-5FG30									
1986-1994	4Y..ATM	12	1.4	28100-20552-71	128000-0623		IIR	280-7000	Available in Reman Only
02-5FG33									
1988-1994	3F..ATM	12	1.4	28100-20552-71	128000-0623		IIR	280-7000	Available in Reman Only
02-5FG35									
1988-1994	3F..ATM	12	1.4	28100-20552-71	128000-0623		IIR	280-7000	Available in Reman Only
02-5FG40									
1988-1994	3F..ATM	12	1.4	28100-20552-71	128000-0623		IIR	280-7000	Available in Reman Only
02-5FG45									
1988-1994	3F..ATM	12	1.4	28100-20552-71	128000-0623		IIR	280-7000	Available in Reman Only
02-5FGE35									
1988-1994	3F..ATM	12	1.4	28100-20552-71	128000-0623		IIR	280-7000	Available in Reman Only
02-5FGF15									
1987-1989	4P, 4Y	12	1.4	28100-20552-71	128000-0623		IIR	280-7000	Available in Reman Only
02-5FGF18									
1987-1989	4P, 4Y	12	1.4	28100-20552-71	128000-0623		IIR	280-7000	Available in Reman Only
02-5FGF20									
1987-1989	4P, 4Y	12	1.4	28100-20552-71	128000-0623		IIR	280-7000	Available in Reman Only
02-5FGF30									
1991-1994	4Y	12	1.4	28100-20552-71	128000-0623		IIR	280-7000	Available in Reman Only



YEAR	ENGINE	VOLTS	kW	OEM PART NUMBER	NEW PART NUMBER	SOLENOID ANGLE	TYPE	REMAN PART NUMBER	APPLICATION INFORMATION
TOYOTA (continued)									
02-5FGU30									
1990-1995	4Y	12	1.4	28100-20552-71	128000-0623		IIR	280-7000	Available in Reman Only
02-6FG28									
1994	4Y..ATM	12	1.4	28100-20552-71	128000-0623		IIR	280-7000	Available in Reman Only
02-6FG30									
1994	4Y..ATM	12	1.4	28100-20552-71	128000-0623		IIR	280-7000	Available in Reman Only
02-6FGA30									
1994-1995	4Y	12	1.4	28100-20552-71	128000-0623		IIR	280-7000	Available in Reman Only
02-6FGF30									
1994-1995	4Y	12	1.4	28100-20552-71	128000-0623		IIR	280-7000	Available in Reman Only
02-FG18									
1978-1983	4P,5R..ATM	12	1.4	28100-20552-71	128000-0623		IIR	280-7000	Available in Reman Only
02-FG23									
1978-1983	4P,5R..ATM	12	1.4	28100-20552-71	128000-0623		IIR	280-7000	Available in Reman Only
02-FG28									
1978-1983	5P	12	1.4	28100-20552-71	128000-0623		IIR	280-7000	Available in Reman Only
02-FGC18									
1980-1988	4P,5P,5R	12	1.4	28100-20552-71	128000-0623		IIR	280-7000	Available in Reman Only
02-FGC23									
1980-1988	4P,5P,5R	12	1.4	28100-20552-71	128000-0623		IIR	280-7000	Available in Reman Only
02-FGC28									
1980-1988	5P	12	1.4	28100-20552-71	128000-0623		IIR	280-7000	Available in Reman Only
02-FGE35									
1980-1988	2F..ATM	12	1.4	28100-20552-71	128000-0623		IIR	280-7000	Available in Reman Only
02-TG20									
1973-1984	5P,5R..ATM	12	1.4	28100-20552-71	128000-0623		IIR	280-7000	Available in Reman Only
02-TG25									
1973-1984	5P,5R..ATM	12	1.4	28100-20552-71	128000-0623		IIR	280-7000	Available in Reman Only
2FG28									
1978-1986	5P	12	1.4	28100-20552-71	128000-0623		IIR	280-7000	Available in Reman Only
2FG30									
1978-1986	5P	12	1.4	28100-20552-71	128000-0623		IIR	280-7000	Available in Reman Only
3FG20									
1978-1983	4P,5R..MTM (REDUCTION)	12	1.4	28100-20552-71	128000-0623		IIR	280-7000	Available in Reman Only
3FG25									
1978-1983	4P,5R..MTM (REDUCTION)	12	1.4	28100-20552-71	128000-0623		IIR	280-7000	Available in Reman Only
3FG50									
1980-1990	2F	12	1.4	28100-20552-71	128000-0623		IIR	280-7000	Available in Reman Only
3FG60									
1980-1990	2F	12	1.4	28100-20552-71	128000-0623		IIR	280-7000	Available in Reman Only

STARTER APPLICATIONS



YEAR	ENGINE	VOLTS	KW	OEM PART NUMBER	NEW PART NUMBER	SOLENOID ANGLE	TYPE	REMAN PART NUMBER	APPLICATION INFORMATION
TOYOTA (continued)									
3FGC10									
1980-1988	4P	12	1.4	28100-20552-71	128000-0623		IIR	280-7000	Available in Reman Only
3FGC13									
1980-1988	4P	12	1.4	28100-20552-71	128000-0623		IIR	280-7000	Available in Reman Only
3FGC15									
1980-1988	4P	12	1.4	28100-20552-71	128000-0623		IIR	280-7000	Available in Reman Only
3FGC30									
1980-1988	5P	12	1.4	28100-20552-71	128000-0623		IIR	280-7000	Available in Reman Only
3TG35									
1982-1994	2F	12	1.4	28100-20552-71	128000-0623		IIR	280-7000	Available in Reman Only
30-5FGC10									
1988-1993	4P	12	1.4	28100-20552-71	128000-0623		IIR	280-7000	Available in Reman Only
30-5FGC13									
1988-1993	4P	12	1.4	28100-20552-71	128000-0623		IIR	280-7000	Available in Reman Only
30-5FGC15									
1988-1993	4P	12	1.4	28100-20552-71	128000-0623		IIR	280-7000	Available in Reman Only
40-3FG20									
1978-1983	4P, 5R...MTM (REDUCTION)	12	1.4	28100-20552-71	128000-0623		IIR	280-7000	Available in Reman Only
40-3FG25									
1978-1983	4P, 5R...MTM (REDUCTION)	12	1.4	28100-20552-71	128000-0623		IIR	280-7000	Available in Reman Only
40-3FGC10									
1980-1988	5R	12	1.4	28100-20552-71	128000-0623		IIR	280-7000	Available in Reman Only
40-3FGC13									
1980-1988	5R	12	1.4	28100-20552-71	128000-0623		IIR	280-7000	Available in Reman Only
40-3FGC15									
1980-1988	5R	12	1.4	28100-20552-71	128000-0623		IIR	280-7000	Available in Reman Only
40-4FG10									
1978-1986	4P, 5R...MTM (REDUCTION)	12	1.4	28100-20552-71	128000-0623		IIR	280-7000	Available in Reman Only
40-4FG14									
1978-1986	4P, 5R...MTM (REDUCTION)	12	1.4	28100-20552-71	128000-0623		IIR	280-7000	Available in Reman Only
40-4FG15									
1978-1986	4P, 5R...MTM (REDUCTION)	12	1.4	28100-20552-71	128000-0623		IIR	280-7000	Available in Reman Only
40-4FG18									
1978-1986	4P, 5R...MTM (REDUCTION)	12	1.4	28100-20552-71	128000-0623		IIR	280-7000	Available in Reman Only
40-4FG20									
1978-1986	4P, 5R...MTM (REDUCTION)	12	1.4	28100-20552-71	128000-0623		IIR	280-7000	Available in Reman Only



YEAR	ENGINE	VOLTS	kW	OEM PART NUMBER	NEW PART NUMBER	SOLENOID ANGLE	TYPE	REMAN PART NUMBER	APPLICATION INFORMATION
TOYOTA (continued)									
40-4FG23									
1978-1986	4P, 5R..MTM (REDUCTION)	12	1.4	28100-20552-71	128000-0623		IIR	280-7000	Available in Reman Only
40-4FG25									
1978-1986	4P, 5R..MTM (REDUCTION)	12	1.4	28100-20552-71	128000-0623		IIR	280-7000	Available in Reman Only
40-4FGC20									
1980-1988	4P, 5P, 5R	12	1.4	28100-20552-71	128000-0623		IIR	280-7000	Available in Reman Only
40-4FGC25									
1980-1988	4P, 5P, 5R	12	1.4	28100-20552-71	128000-0623		IIR	280-7000	Available in Reman Only
40-5FG10									
1989-1994	4Y..MTM	12	1.4	28100-20552-71	128000-0623		IIR	280-7000	Available in Reman Only
1986-1989	4P, 4Y..MTM	12	1.4	28100-20552-71	128000-0623		IIR	280-7000	Available in Reman Only
40-5FG14									
1989-1994	4Y..MTM	12	1.4	28100-20552-71	128000-0623		IIR	280-7000	Available in Reman Only
1986-1989	4P, 4Y..MTM	12	1.4	28100-20552-71	128000-0623		IIR	280-7000	Available in Reman Only
40-5FG15									
1989-1994	4Y..MTM	12	1.4	28100-20552-71	128000-0623		IIR	280-7000	Available in Reman Only
1986-1989	4P, 4Y..MTM	12	1.4	28100-20552-71	128000-0623		IIR	280-7000	Available in Reman Only
40-5FG18									
1989-1994	4Y..MTM	12	1.4	28100-20552-71	128000-0623		IIR	280-7000	Available in Reman Only
1986-1989	4P, 4Y..MTM	12	1.4	28100-20552-71	128000-0623		IIR	280-7000	Available in Reman Only
40-5FG20									
1989-1994	4Y..MTM	12	1.4	28100-20552-71	128000-0623		IIR	280-7000	Available in Reman Only
1986-1989	4P, 4Y..MTM	12	1.4	28100-20552-71	128000-0623		IIR	280-7000	Available in Reman Only
40-5FG23									
1989-1994	4Y..MTM	12	1.4	28100-20552-71	128000-0623		IIR	280-7000	Available in Reman Only
1986-1989	4P, 4Y..MTM	12	1.4	28100-20552-71	128000-0623		IIR	280-7000	Available in Reman Only
40-5FG25									
1989-1994	4Y..MTM	12	1.4	28100-20552-71	128000-0623		IIR	280-7000	Available in Reman Only
1986-1989	4P, 4Y..MTM	12	1.4	28100-20552-71	128000-0623		IIR	280-7000	Available in Reman Only
40-5FGF15									
1987-1989	4P, 4Y	12	1.4	28100-20552-71	128000-0623		IIR	280-7000	Available in Reman Only
40-5FGF18									
1987-1989	4P, 4Y	12	1.4	28100-20552-71	128000-0623		IIR	280-7000	Available in Reman Only
40-5FGF20									
1987-1989	4P, 4Y	12	1.4	28100-20552-71	128000-0623		IIR	280-7000	Available in Reman Only
40-FG18									
1978-1983	4P, 5R..MTM (REDUCTION)	12	1.4	28100-20552-71	128000-0623		IIR	280-7000	Available in Reman Only
40-FG23									
1978-1983	4P, 5R..MTM (REDUCTION)	12	1.4	28100-20552-71	128000-0623		IIR	280-7000	Available in Reman Only

STARTER APPLICATIONS



YEAR	ENGINE	VOLTS	KW	OEM PART NUMBER	NEW PART NUMBER	SOLENOID ANGLE	TYPE	REMAN PART NUMBER	APPLICATION INFORMATION
TOYOTA (continued)									
40-FGC18									
1980-1988	4P, 5P, 5R	12	1.4	28100-20552-71	128000-0623		IIR	280-7000	Available in Reman Only
40-FGC23									
1980-1988	4P, 5P, 5R	12	1.4	28100-20552-71	128000-0623		IIR	280-7000	Available in Reman Only
42-2SG10									
1977-1990	5R..ATM (REDUCTION)	12	1.4	28100-20552-71	128000-0623		IIR	280-7000	Available in Reman Only
42-3FG20									
1978-1983	4P, 5R..ATM	12	1.4	28100-20552-71	128000-0623		IIR	280-7000	Available in Reman Only
42-3FG25									
1978-1983	4P, 5R..ATM	12	1.4	28100-20552-71	128000-0623		IIR	280-7000	Available in Reman Only
42-3FGC10									
1980-1988	5R	12	1.4	28100-20552-71	128000-0623		IIR	280-7000	Available in Reman Only
42-3FGC13									
1980-1988	5R	12	1.4	28100-20552-71	128000-0623		IIR	280-7000	Available in Reman Only
42-3FGC15									
1980-1988	5R	12	1.4	28100-20552-71	128000-0623		IIR	280-7000	Available in Reman Only
42-4FG10									
1978-1986	4P, 5R..ATM	12	1.4	28100-20552-71	128000-0623		IIR	280-7000	Available in Reman Only
42-4FG14									
1978-1986	4P, 5R..ATM	12	1.4	28100-20552-71	128000-0623		IIR	280-7000	Available in Reman Only
42-4FG15									
1978-1986	4P, 5R..ATM	12	1.4	28100-20552-71	128000-0623		IIR	280-7000	Available in Reman Only
42-4FG18									
1978-1986	4P, 5R..ATM	12	1.4	28100-20552-71	128000-0623		IIR	280-7000	Available in Reman Only
42-4FG20									
1978-1986	4P, 5R..ATM	12	1.4	28100-20552-71	128000-0623		IIR	280-7000	Available in Reman Only
42-4FG23									
1978-1986	4P, 5R..ATM	12	1.4	28100-20552-71	128000-0623		IIR	280-7000	Available in Reman Only
42-4FG25									
1978-1986	4P, 5R..ATM	12	1.4	28100-20552-71	128000-0623		IIR	280-7000	Available in Reman Only
42-4FGC20									
1980-1988	4P, 5P, 5R	12	1.4	28100-20552-71	128000-0623		IIR	280-7000	Available in Reman Only
42-4FGC25									
1980-1988	4P, 5P, 5R	12	1.4	28100-20552-71	128000-0623		IIR	280-7000	Available in Reman Only
42-5FG10									
1989-1994	4Y..ATM	12	1.4	28100-20552-71	128000-0623		IIR	280-7000	Available in Reman Only
1986-1989	4P, 4Y..ATM	12	1.4	28100-20552-71	128000-0623		IIR	280-7000	Available in Reman Only
42-5FG14									
1989-1994	4Y..ATM	12	1.4	28100-20552-71	128000-0623		IIR	280-7000	Available in Reman Only
1986-1989	4P, 4Y..ATM	12	1.4	28100-20552-71	128000-0623		IIR	280-7000	Available in Reman Only
42-5FG15									
1989-1994	4Y..ATM	12	1.4	28100-20552-71	128000-0623		IIR	280-7000	Available in Reman Only
1986-1989	4P, 4Y..ATM	12	1.4	28100-20552-71	128000-0623		IIR	280-7000	Available in Reman Only



YEAR	ENGINE	VOLTS	KW	OEM PART NUMBER	NEW PART NUMBER	SOLENOID ANGLE	TYPE	REMAN PART NUMBER	APPLICATION INFORMATION
TOYOTA (continued)									
42-5FG18									
1989-1994	4Y..ATM	12	1.4	28100-20552-71	128000-0623		IIR	280-7000	Available in Reman Only
1986-1989	4P, 4Y..ATM	12	1.4	28100-20552-71	128000-0623		IIR	280-7000	Available in Reman Only
42-5FG20									
1989-1994	4Y..ATM	12	1.4	28100-20552-71	128000-0623		IIR	280-7000	Available in Reman Only
1986-1989	4P, 4Y..ATM	12	1.4	28100-20552-71	128000-0623		IIR	280-7000	Available in Reman Only
42-5FG23									
1989-1994	4Y..ATM	12	1.4	28100-20552-71	128000-0623		IIR	280-7000	Available in Reman Only
1986-1989	4P, 4Y..ATM	12	1.4	28100-20552-71	128000-0623		IIR	280-7000	Available in Reman Only
42-5FG25									
1989-1994	4Y..ATM	12	1.4	28100-20552-71	128000-0623		IIR	280-7000	Available in Reman Only
1986-1989	4P, 4Y..ATM	12	1.4	28100-20552-71	128000-0623		IIR	280-7000	Available in Reman Only
42-5FGF15									
1987-1989	4P, 4Y	12	1.4	28100-20552-71	128000-0623		IIR	280-7000	Available in Reman Only
42-5FGF18									
1987-1989	4P, 4Y	12	1.4	28100-20552-71	128000-0623		IIR	280-7000	Available in Reman Only
42-5FGF20									
1987-1989	4P, 4Y	12	1.4	28100-20552-71	128000-0623		IIR	280-7000	Available in Reman Only
42-5FGU10									
1990-1994	4Y	12	1.4	28100-20552-71	128000-0623		IIR	280-7000	Available in Reman Only
42-5FGU15									
1990-1994	4Y	12	1.4	28100-20552-71	128000-0623		IIR	280-7000	Available in Reman Only
42-5FGU18									
1990-1994	4Y	12	1.4	28100-20552-71	128000-0623		IIR	280-7000	Available in Reman Only
42-5FGU20									
1990-1995	4Y	12	1.4	28100-20552-71	128000-0623		IIR	280-7000	Available in Reman Only
42-5FGU25									
1990-1995	4Y	12	1.4	28100-20552-71	128000-0623		IIR	280-7000	Available in Reman Only
42-6FG10									
1994	4Y..ATM	12	1.4	28100-20552-71	128000-0623		IIR	280-7000	Available in Reman Only
42-6FG14									
1994	4Y..ATM	12	1.4	28100-20552-71	128000-0623		IIR	280-7000	Available in Reman Only
42-6FG15									
1994	4Y..ATM	12	1.4	28100-20552-71	128000-0623		IIR	280-7000	Available in Reman Only
42-6FG18									
1994	4Y..ATM	12	1.4	28100-20552-71	128000-0623		IIR	280-7000	Available in Reman Only
42-6FG20									
1993-1994	4Y..ATM	12	1.4	28100-20552-71	128000-0623		IIR	280-7000	Available in Reman Only
42-6FG23									
1993-1994	4Y..ATM	12	1.4	28100-20552-71	128000-0623		IIR	280-7000	Available in Reman Only
42-6FG25									
1993-1994	4Y..ATM	12	1.4	28100-20552-71	128000-0623		IIR	280-7000	Available in Reman Only
42-6FGA20									
1994-1995	4Y	12	1.4	28100-20552-71	128000-0623		IIR	280-7000	Available in Reman Only



YEAR	ENGINE	VOLTS	KW	OEM PART NUMBER	NEW PART NUMBER	SOLENOID ANGLE	TYPE	REMAN PART NUMBER	APPLICATION INFORMATION
TOYOTA (continued)									
42-6FGA25									
1994-1995	4Y	12	1.4	28100-20552-71	128000-0623		IIR	280-7000	Available in Reman Only
42-6FGF15									
1994-1995	4Y	12	1.4	28100-20552-71	128000-0623		IIR	280-7000	Available in Reman Only
42-6FGF18									
1994-1995	4Y	12	1.4	28100-20552-71	128000-0623		IIR	280-7000	Available in Reman Only
42-6FGF20									
1994-1995	4Y	12	1.4	28100-20552-71	128000-0623		IIR	280-7000	Available in Reman Only
42-6FGF25									
1994-1995	4Y	12	1.4	28100-20552-71	128000-0623		IIR	280-7000	Available in Reman Only
42-FG18									
1978-1983	4P, 5R..ATM	12	1.4	28100-20552-71	128000-0623		IIR	280-7000	Available in Reman Only
42-FG23									
1978-1983	4P, 5R..ATM	12	1.4	28100-20552-71	128000-0623		IIR	280-7000	Available in Reman Only
42-FGC18									
1980-1988	4P, 5P, 5R	12	1.4	28100-20552-71	128000-0623		IIR	280-7000	Available in Reman Only
42-FGC23									
1980-1988	4P, 5P, 5R	12	1.4	28100-20552-71	128000-0623		IIR	280-7000	Available in Reman Only
4FG10									
1978-1986	4P, 5R..MTM (REDUCTION)	12	1.4	28100-20552-71	128000-0623		IIR	280-7000	Available in Reman Only
4FG14									
1978-1986	4P, 5R..MTM (REDUCTION)	12	1.4	28100-20552-71	128000-0623		IIR	280-7000	Available in Reman Only
4FG15									
1978-1986	4P, 5R..MTM (REDUCTION)	12	1.4	28100-20552-71	128000-0623		IIR	280-7000	Available in Reman Only
4FG18									
1978-1986	4P, 5R..MTM (REDUCTION)	12	1.4	28100-20552-71	128000-0623		IIR	280-7000	Available in Reman Only
4FG20									
1978-1986	4P, 5R..MTM (REDUCTION)	12	1.4	28100-20552-71	128000-0623		IIR	280-7000	Available in Reman Only
4FG23									
1978-1986	4P, 5R..MTM (REDUCTION)	12	1.4	28100-20552-71	128000-0623		IIR	280-7000	Available in Reman Only
4FG25									
1978-1986	4P, 5R..MTM (REDUCTION)	12	1.4	28100-20552-71	128000-0623		IIR	280-7000	Available in Reman Only
4FGC20									
1980-1988	4P, 5P, 5R	12	1.4	28100-20552-71	128000-0623		IIR	280-7000	Available in Reman Only
4FGC25									
1980-1988	4P, 5P, 5R	12	1.4	28100-20552-71	128000-0623		IIR	280-7000	Available in Reman Only



YEAR	ENGINE	VOLTS	kW	OEM PART NUMBER	NEW PART NUMBER	SOLENOID ANGLE	TYPE	REMAN PART NUMBER	APPLICATION INFORMATION
TOYOTA (continued)									
5FG10									
1986-1989	4P, 4Y..MTM	12	1.4	28100-20552-71	128000-0623		IIR	280-7000	Available in Reman Only
5FG14									
1986-1989	4P, 4Y..MTM	12	1.4	28100-20552-71	128000-0623		IIR	280-7000	Available in Reman Only
5FG15									
1986-1989	4P, 4Y..MTM	12	1.4	28100-20552-71	128000-0623		IIR	280-7000	Available in Reman Only
5FG18									
1986-1989	4P, 4Y..MTM	12	1.4	28100-20552-71	128000-0623		IIR	280-7000	Available in Reman Only
5FG20									
1986-1989	4P, 4Y..MTM	12	1.4	28100-20552-71	128000-0623		IIR	280-7000	Available in Reman Only
5FG23									
1986-1989	4P, 4Y..MTM	12	1.4	28100-20552-71	128000-0623		IIR	280-7000	Available in Reman Only
5FG25									
1986-1989	4P, 4Y..MTM	12	1.4	28100-20552-71	128000-0623		IIR	280-7000	Available in Reman Only
5FG28									
1986-1994	4Y..MTM	12	1.4	28100-20552-71	128000-0623		IIR	280-7000	Available in Reman Only
5FG30									
1986-1994	4Y..MTM	12	1.4	28100-20552-71	128000-0623		IIR	280-7000	Available in Reman Only
5FG50									
1990-1994	3F	12	1.4	28100-20552-71	128000-0623		IIR	280-7000	Available in Reman Only
5FG60									
1990-1994	3F	12	1.4	28100-20552-71	128000-0623		IIR	280-7000	Available in Reman Only
5FGC10									
1988-1993	4Y	12	1.4	28100-20552-71	128000-0623		IIR	280-7000	Available in Reman Only
5FGC13									
1988-1993	4Y	12	1.4	28100-20552-71	128000-0623		IIR	280-7000	Available in Reman Only
5FGC15									
1988-1993	4Y	12	1.4	28100-20552-71	128000-0623		IIR	280-7000	Available in Reman Only
5FGC18									
1988-1993	4Y	12	1.4	28100-20552-71	128000-0623		IIR	280-7000	Available in Reman Only
5FGC20									
1988-1993	4Y	12	1.4	28100-20552-71	128000-0623		IIR	280-7000	Available in Reman Only
5FGC23									
1988-1993	4Y	12	1.4	28100-20552-71	128000-0623		IIR	280-7000	Available in Reman Only
5FGC25									
1988-1993	4Y	12	1.4	28100-20552-71	128000-0623		IIR	280-7000	Available in Reman Only
5FGC28									
1988-1993	4Y	12	1.4	28100-20552-71	128000-0623		IIR	280-7000	Available in Reman Only
5FGC30									
1988-1993	4Y	12	1.4	28100-20552-71	128000-0623		IIR	280-7000	Available in Reman Only
5FGCU10									
1991-1995	4Y	12	1.4	28100-20552-71	128000-0623		IIR	280-7000	Available in Reman Only

STARTER APPLICATIONS



YEAR	ENGINE	VOLTS	KW	OEM PART NUMBER	NEW PART NUMBER	SOLENOID ANGLE	TYPE	REMAN PART NUMBER	APPLICATION INFORMATION
TOYOTA (continued)									
5FGCU13									
1991-1995	4Y	12	1.4	28100-20552-71	128000-0623		IIR	280-7000	Available in Reman Only
5FGCU15									
1991-1995	4Y	12	1.4	28100-20552-71	128000-0623		IIR	280-7000	Available in Reman Only
5FGCU18									
1990-1995	4Y	12	1.4	28100-20552-71	128000-0623		IIR	280-7000	Available in Reman Only
5FGCU20									
1990-1995	4Y	12	1.4	28100-20552-71	128000-0623		IIR	280-7000	Available in Reman Only
5FGCU25									
1990-1995	4Y	12	1.4	28100-20552-71	128000-0623		IIR	280-7000	Available in Reman Only
5FGCU30									
1990-1995	4Y	12	1.4	28100-20552-71	128000-0623		IIR	280-7000	Available in Reman Only
5FGF15									
1987-1989	4P, 4Y	12	1.4	28100-20552-71	128000-0623		IIR	280-7000	Available in Reman Only
5FGF18									
1987-1989	4P, 4Y	12	1.4	28100-20552-71	128000-0623		IIR	280-7000	Available in Reman Only
5FGF20									
1987-1989	4P, 4Y	12	1.4	28100-20552-71	128000-0623		IIR	280-7000	Available in Reman Only
60-3FG20									
1978-1983	5P	12	1.4	28100-20552-71	128000-0623		IIR	280-7000	Available in Reman Only
60-3FG25									
1978-1983	5P	12	1.4	28100-20552-71	128000-0623		IIR	280-7000	Available in Reman Only
60-4FG10									
1978-1986	5P	12	1.4	28100-20552-71	128000-0623		IIR	280-7000	Available in Reman Only
60-4FG14									
1978-1986	5P	12	1.4	28100-20552-71	128000-0623		IIR	280-7000	Available in Reman Only
60-4FG15									
1978-1986	5P	12	1.4	28100-20552-71	128000-0623		IIR	280-7000	Available in Reman Only
60-4FG18									
1978-1986	5P	12	1.4	28100-20552-71	128000-0623		IIR	280-7000	Available in Reman Only
60-4FG20									
1978-1986	5P	12	1.4	28100-20552-71	128000-0623		IIR	280-7000	Available in Reman Only
60-4FG23									
1978-1983	5P	12	1.4	28100-20552-71	128000-0623		IIR	280-7000	Available in Reman Only
60-4FG25									
1978-1986	5P	12	1.4	28100-20552-71	128000-0623		IIR	280-7000	Available in Reman Only
60-4FGC20									
1980-1988	4P, 5P, 5R	12	1.4	28100-20552-71	128000-0623		IIR	280-7000	Available in Reman Only
60-4FGC25									
1980-1988	4P, 5P, 5R	12	1.4	28100-20552-71	128000-0623		IIR	280-7000	Available in Reman Only
60-FG18									
1978-1983	5P	12	1.4	28100-20552-71	128000-0623		IIR	280-7000	Available in Reman Only



YEAR	ENGINE	VOLTS	kW	OEM PART NUMBER	NEW PART NUMBER	SOLENOID ANGLE	TYPE	REMAN PART NUMBER	APPLICATION INFORMATION
TOYOTA (continued)									
60-FG23									
1978-1983	5P	12	1.4	28100-20552-71	128000-0623		IIR	280-7000	Available in Reman Only
60-FGC18									
1980-1988	4P, 5P, 5R	12	1.4	28100-20552-71	128000-0623		IIR	280-7000	Available in Reman Only
60-FGC23									
1980-1988	4P, 5P, 5R	12	1.4	28100-20552-71	128000-0623		IIR	280-7000	Available in Reman Only
62-3FG20									
1978-1983	5P	12	1.4	28100-20552-71	128000-0623		IIR	280-7000	Available in Reman Only
62-3FG25									
1978-1983	5P	12	1.4	28100-20552-71	128000-0623		IIR	280-7000	Available in Reman Only
62-4FG10									
1978-1986	5P	12	1.4	28100-20552-71	128000-0623		IIR	280-7000	Available in Reman Only
62-4FG14									
1983-1986	5P	12	1.4	28100-20552-71	128000-0623		IIR	280-7000	Available in Reman Only
62-4FG15									
1978-1986	5P	12	1.4	28100-20552-71	128000-0623		IIR	280-7000	Available in Reman Only
62-4FG18									
1978-1986	5P	12	1.4	28100-20552-71	128000-0623		IIR	280-7000	Available in Reman Only
62-4FG20									
1978-1986	5P	12	1.4	28100-20552-71	128000-0623		IIR	280-7000	Available in Reman Only
62-4FG23									
1978-1986	5P	12	1.4	28100-20552-71	128000-0623		IIR	280-7000	Available in Reman Only
62-4FG25									
1978-1986	5P	12	1.4	28100-20552-71	128000-0623		IIR	280-7000	Available in Reman Only
62-4FGC20									
1980-1988	4P, 5P, 5R	12	1.4	28100-20552-71	128000-0623		IIR	280-7000	Available in Reman Only
62-4FGC25									
1980-1988	4P, 5P, 5R	12	1.4	28100-20552-71	128000-0623		IIR	280-7000	Available in Reman Only
62-FG18									
1978-1983	5P	12	1.4	28100-20552-71	128000-0623		IIR	280-7000	Available in Reman Only
62-FG23									
1978-1983	5P	12	1.4	28100-20552-71	128000-0623		IIR	280-7000	Available in Reman Only
62-FGC18									
1980-1988	4P, 5P, 5R	12	1.4	28100-20552-71	128000-0623		IIR	280-7000	Available in Reman Only
62-FGC23									
1980-1988	4P, 5P, 5R	12	1.4	28100-20552-71	128000-0623		IIR	280-7000	Available in Reman Only
FG18									
1978-1983	4P, 5R..MTM (REDUCTION)	12	1.4	28100-20552-71	128000-0623		IIR	280-7000	Available in Reman Only
FG23									
1978-1983	4P, 5R..MTM (REDUCTION)	12	1.4	28100-20552-71	128000-0623		IIR	280-7000	Available in Reman Only

STARTER APPLICATIONS



YEAR	ENGINE	VOLTS	KW	OEM PART NUMBER	NEW PART NUMBER	SOLENOID ANGLE	TYPE	REMAN PART NUMBER	APPLICATION INFORMATION
TOYOTA (continued)									
FG28									
1978-1983	5P	12	1.4	28100-20552-71	128000-0623		IIR	280-7000	Available in Reman Only
FG45									
1980-1988	2F..ATM	12	1.4	28100-20552-71	128000-0623		IIR	280-7000	Available in Reman Only
FGC18									
1980-1988	4P, 5P, 5R	12	1.4	28100-20552-71	128000-0623		IIR	280-7000	Available in Reman Only
FGC23									
1980-1988	4P, 5P, 5R	12	1.4	28100-20552-71	128000-0623		IIR	280-7000	Available in Reman Only
FGC28									
1980-1988	5P	12	1.4	28100-20552-71	128000-0623		IIR	280-7000	Available in Reman Only
FGC33									
1982-1994	2F	12	1.4	28100-20552-71	128000-0623		IIR	280-7000	Available in Reman Only
FGC35									
1982-1994	2F	12	1.4	28100-20552-71	128000-0623		IIR	280-7000	Available in Reman Only
FGC40									
1982-1994	2F	12	1.4	28100-20552-71	128000-0623		IIR	280-7000	Available in Reman Only
FGC45									
1982-1997	2F	12	1.4	28100-20552-71	128000-0623		IIR	280-7000	Available in Reman Only
02-2FDC20									
1985-1988	2J (12..JL-D)	12	2.5	28100-40291-71	128000-0974		R	280-7005	Available in Reman Only
02-2FDC25									
1985-1988	2J (12..JL-D)	12	2.5	28100-40291-71	128000-0974		R	280-7005	Available in Reman Only
02-2TD15									
1989-Up	1DZ	12	2.5	28100-40291-71	128000-0974		R	280-7005	Available in Reman Only
02-2TD18									
1989-Up	1DZ	12	2.5	28100-40291-71	128000-0974		R	280-7005	Available in Reman Only
02-2TD20									
1989-Up	1DZ	12	2.5	28100-40291-71	128000-0974		R	280-7005	Available in Reman Only
02-2TD23									
1989-Up	1DZ	12	2.5	28100-40291-71	128000-0974		R	280-7005	Available in Reman Only
02-2TD25									
1989-Up	1DZ	12	2.5	28100-40291-71	128000-0974		R	280-7005	Available in Reman Only
02-5FD10									
1989-1994	1DZ	12	2.5	28100-40291-71	128000-0974		R	280-7005	Available in Reman Only
1986-1989	2J	12	2.5	28100-40291-71	128000-0974		R	280-7005	Available in Reman Only
02-5FD14									
1989-1994	1DZ	12	2.5	28100-40291-71	128000-0974		R	280-7005	Available in Reman Only
1986-1989	2J	12	2.5	28100-40291-71	128000-0974		R	280-7005	Available in Reman Only
02-5FD15									
1989-1994	1DZ	12	2.5	28100-40291-71	128000-0974		R	280-7005	Available in Reman Only
1986-1989	2J	12	2.5	28100-40291-71	128000-0974		R	280-7005	Available in Reman Only
02-5FD18									
1989-1994	1DZ	12	2.5	28100-40291-71	128000-0974		R	280-7005	Available in Reman Only
1986-1989	2J	12	2.5	28100-40291-71	128000-0974		R	280-7005	Available in Reman Only



YEAR	ENGINE	VOLTS	kW	OEM PART NUMBER	NEW PART NUMBER	SOLENOID ANGLE	TYPE	REMAN PART NUMBER	APPLICATION INFORMATION
TOYOTA (continued)									
02-5FD20									
1986-1994	1Z [12]	12	2.5	28100-40291-71	128000-0974		R	280-7005	Available in Reman Only
02-5FD23									
1986-1994	1Z [12]	12	2.5	28100-40291-71	128000-0974		R	280-7005	Available in Reman Only
02-5FD25									
1986-1994	1Z [12]	12	2.5	28100-40291-71	128000-0974		R	280-7005	Available in Reman Only
02-5FD28									
1986-1994	1Z [12]	12	2.5	28100-40291-71	128000-0974		R	280-7005	Available in Reman Only
02-5FD30									
1986-1994	1Z [12]	12	2.5	28100-40291-71	128000-0974		R	280-7005	Available in Reman Only
02-5FD33									
1988-1996	11Z..ATM [12]	12	2.5	28100-40291-71	128000-0974		R	280-7005	Available in Reman Only
02-5FD35									
1988-1996	11Z..ATM [12]	12	2.5	28100-40291-71	128000-0974		R	280-7005	Available in Reman Only
02-5FD38									
1988-1996	11Z..ATM [12]	12	2.5	28100-40291-71	128000-0974		R	280-7005	Available in Reman Only
02-5FD40									
1988-1996	11Z..ATM [12]	12	2.5	28100-40291-71	128000-0974		R	280-7005	Available in Reman Only
02-5FD45									
1988-1996	11Z..ATM [12]	12	2.5	28100-40291-71	128000-0974		R	280-7005	Available in Reman Only
02-5FDE35									
1988-1996	11Z..ATM [12]	12	2.5	28100-40291-71	128000-0974		R	280-7005	Available in Reman Only
02-5FDF15									
1989-1994	1DZ	12	2.5	28100-40291-71	128000-0974		R	280-7005	Available in Reman Only
1987-1989	2J	12	2.5	28100-40291-71	128000-0974		R	280-7005	Available in Reman Only
02-5FDF18									
1989-1994	1DZ	12	2.5	28100-40291-71	128000-0974		R	280-7005	Available in Reman Only
1987-1989	2J	12	2.5	28100-40291-71	128000-0974		R	280-7005	Available in Reman Only
02-5FDF20									
1987-1994	1Z (12)	12	2.5	28100-40291-71	128000-0974		R	280-7005	Available in Reman Only
02-5FDF30									
1991-1994	1Z	12	2.5	28100-40291-71	128000-0974		R	280-7005	Available in Reman Only
02-5FDU15									
1992-1995	1DZ	12	2.5	28100-40291-71	128000-0974		R	280-7005	Available in Reman Only
02-5FDU18									
1992-1995	1DZ	12	2.5	28100-40291-71	128000-0974		R	280-7005	Available in Reman Only
02-5FDU20									
1990-1995	1Z [12]	12	2.5	28100-40291-71	128000-0974		R	280-7005	Available in Reman Only
02-5FDU25									
1990-1995	1Z [12]	12	2.5	28100-40291-71	128000-0974		R	280-7005	Available in Reman Only
02-5FDU30									
1990-1995	1Z [12]	12	2.5	28100-40291-71	128000-0974		R	280-7005	Available in Reman Only

STARTER APPLICATIONS



YEAR	ENGINE	VOLTS	KW	OEM PART NUMBER	NEW PART NUMBER	SOLENOID ANGLE	TYPE	REMAN PART NUMBER	APPLICATION INFORMATION
TOYOTA (continued)									
02-5FDU35									
1996-1997	11Z	12	2.5	28100-40291-71	128000-0974		R	280-7005	Available in Reman Only
02-5FDU40									
1996-1997	11Z	12	2.5	28100-40291-71	128000-0974		R	280-7005	Available in Reman Only
02-5FDU45									
1996-1997	11Z	12	2.5	28100-40291-71	128000-0974		R	280-7005	Available in Reman Only
02-6FD10									
1994-1998	1DZ	12	2.5	28100-40291-71	128000-0974		R	280-7005	Available in Reman Only
02-6FD14									
1994-1998	1DZ	12	2.5	28100-40291-71	128000-0974		R	280-7005	Available in Reman Only
02-6FD15									
1994-1998	1DZ	12	2.5	28100-40291-71	128000-0974		R	280-7005	Available in Reman Only
02-6FD18									
1994-1998	1DZ	12	2.5	28100-40291-71	128000-0974		R	280-7005	Available in Reman Only
02-6FD33									
1996-1999	13Z..ATM [12]	12	2.5	28100-40291-71	128000-0974		R	280-7005	Available in Reman Only
02-6FD35									
1996-1999	13Z..ATM [12]	12	2.5	28100-40291-71	128000-0974		R	280-7005	Available in Reman Only
02-6FD40									
1996-1999	13Z..ATM [12]	12	2.5	28100-40291-71	128000-0974		R	280-7005	Available in Reman Only
02-6FD45									
1996-1999	13Z..ATM [12]	12	2.5	28100-40291-71	128000-0974		R	280-7005	Available in Reman Only
02-6FDA15									
1994-1999	1DZ	12	2.5	28100-40291-71	128000-0974		R	280-7005	Available in Reman Only
02-6FDA18									
1994-1999	1DZ	12	2.5	28100-40291-71	128000-0974		R	280-7005	Available in Reman Only
02-6FDA50									
1996-1999	13Z..ATM [12]	12	2.5	28100-40291-71	128000-0974		R	280-7005	Available in Reman Only
02-6FDAU50									
1997-2000	13Z [12]	12	2.5	28100-40291-71	128000-0974		R	280-7005	Available in Reman Only
02-6FDE35									
1996-1999	13Z..ATM [12]	12	2.5	28100-40291-71	128000-0974		R	280-7005	Available in Reman Only
02-6FDF15									
1994-1999	1DZ	12	2.5	28100-40291-71	128000-0974		R	280-7005	Available in Reman Only
02-6FDF18									
1994-1999	1DZ	12	2.5	28100-40291-71	128000-0974		R	280-7005	Available in Reman Only
02-6FDN35									
1996-1997	13Z..ATM	12	2.5	28100-40291-71	128000-0974		R	280-7005	Available in Reman Only
02-6FDU15									
1995-1999	1DZ	12	2.5	28100-40291-71	128000-0974		R	280-7005	Available in Reman Only
02-6FDU18									
1995-1999	1DZ	12	2.5	28100-40291-71	128000-0974		R	280-7005	Available in Reman Only



YEAR	ENGINE	VOLTS	kW	OEM PART NUMBER	NEW PART NUMBER	SOLENOID ANGLE	TYPE	REMAN PART NUMBER	APPLICATION INFORMATION
TOYOTA (continued)									
02-6FDU33									
1997-2000	13Z [12]	12	2.5	28100-40291-71	128000-0974		R	280-7005	Available in Reman Only
02-6FDU35									
1997-2000	13Z [12]	12	2.5	28100-40291-71	128000-0974		R	280-7005	Available in Reman Only
02-6FDU40									
1997-2000	13Z [12]	12	2.5	28100-40291-71	128000-0974		R	280-7005	Available in Reman Only
02-6FDU45									
1997-2000	13Z [12]	12	2.5	28100-40291-71	128000-0974		R	280-7005	Available in Reman Only
02-7FD10									
1998-Up	1DZ	12	2.5	28100-40291-71	128000-0974		R	280-7005	Available in Reman Only
02-7FD14									
1998-Up	1DZ	12	2.5	28100-40291-71	128000-0974		R	280-7005	Available in Reman Only
02-7FD15									
1998-Up	1DZ	12	2.5	28100-40291-71	128000-0974		R	280-7005	Available in Reman Only
02-7FD18									
1998-Up	1DZ	12	2.5	28100-40291-71	128000-0974		R	280-7005	Available in Reman Only
02-7FD35									
1998-Up	13Z..ATM	12	2.5	28100-40291-71	128000-0974		R	280-7005	Available in Reman Only
02-7FD40									
1998-Up	13Z..ATM	12	2.5	28100-40291-71	128000-0974		R	280-7005	Available in Reman Only
02-7FD45									
1998-Up	13Z..ATM	12	2.5	28100-40291-71	128000-0974		R	280-7005	Available in Reman Only
02-7FDA50									
1998-Up	13Z..ATM	12	2.5	28100-40291-71	128000-0974		R	280-7005	Available in Reman Only
02-7FDF15									
1999-Up	1DZ	12	2.5	28100-40291-71	128000-0974		R	280-7005	Available in Reman Only
02-7FDF18									
1999-Up	1DZ	12	2.5	28100-40291-71	128000-0974		R	280-7005	Available in Reman Only
02-7FDK20									
1998-Up	1DZ	12	2.5	28100-40291-71	128000-0974		R	280-7005	Available in Reman Only
02-7FDK25									
1998-Up	1DZ	12	2.5	28100-40291-71	128000-0974		R	280-7005	Available in Reman Only
02-7FDK30									
1998-Up	1DZ	12	2.5	28100-40291-71	128000-0974		R	280-7005	Available in Reman Only
02-7FDK40									
1998-Up	13Z..ATM	12	2.5	28100-40291-71	128000-0974		R	280-7005	Available in Reman Only
02-7FDN15									
2003-Up	1DZ	12	2.5	28100-40291-71	128000-0974		R	280-7005	Available in Reman Only
02-FDC18									
1985-1988	2J (12..UL-D)	12	2.5	28100-40291-71	128000-0974		R	280-7005	Available in Reman Only
02-FDC23									
1985-1988	2J (12..UL-D)	12	2.5	28100-40291-71	128000-0974		R	280-7005	Available in Reman Only

STARTER APPLICATIONS



YEAR	ENGINE	VOLTS	KW	OEM PART NUMBER	NEW PART NUMBER	SOLENOID ANGLE	TYPE	REMAN PART NUMBER	APPLICATION INFORMATION
TOYOTA (continued)									
02-TD20									
1983-1989	2J..ATM (U.S.A)	12	2.5	28100-40291-71	128000-0974		R	280-7005	Available in Reman Only
02-TD25									
1983-1989	2J..ATM (U.S.A)	12	2.5	28100-40291-71	128000-0974		R	280-7005	Available in Reman Only
04-5FD28									
1986-1994	1Z [12]	12	2.5	28100-40291-71	128000-0974		R	280-7005	Available in Reman Only
04-5FD30									
1986-1994	1Z [12]	12	2.5	28100-40291-71	128000-0974		R	280-7005	Available in Reman Only
2FDC20									
1985-1988	2J (12..UL-D)	12	2.5	28100-40291-71	128000-0974		R	280-7005	Available in Reman Only
2FDC25									
1985-1988	2J (12..UL-D)	12	2.5	28100-40291-71	128000-0974		R	280-7005	Available in Reman Only
2TD20									
1989-Up	1DZ	12	2.5	28100-40291-71	128000-0974		R	280-7005	Available in Reman Only
2TD25									
1989-Up	1DZ	12	2.5	28100-40291-71	128000-0974		R	280-7005	Available in Reman Only
3SDK7									
1992-1997	1DZ	12	2.5	28100-40291-71	128000-0974		R	280-7005	Available in Reman Only
3SDK8									
1992-1997	1DZ	12	2.5	28100-40291-71	128000-0974		R	280-7005	Available in Reman Only
42-2TD20									
1989-Up	1DZ	12	2.5	28100-40291-71	128000-0974		R	280-7005	Available in Reman Only
42-2TD25									
1989-Up	1DZ	12	2.5	28100-40291-71	128000-0974		R	280-7005	Available in Reman Only
4SDK10									
1989-1997	2Z	12	2.5	28100-40291-71	128000-0974		R	280-7005	Available in Reman Only
5FD10									
1989-1994	1DZ	12	2.5	28100-40291-71	128000-0974		R	280-7005	Available in Reman Only
1986-1989	2J	12	2.5	28100-40291-71	128000-0974		R	280-7005	Available in Reman Only
5FD14									
1989-1994	1DZ	12	2.5	28100-40291-71	128000-0974		R	280-7005	Available in Reman Only
1986-1989	2J	12	2.5	28100-40291-71	128000-0974		R	280-7005	Available in Reman Only
5FD15									
1986-1989	2J	12	2.5	28100-40291-71	128000-0974		R	280-7005	Available in Reman Only
5FD18									
1989-1994	1DZ	12	2.5	28100-40291-71	128000-0974		R	280-7005	Available in Reman Only
1986-1989	2J	12	2.5	28100-40291-71	128000-0974		R	280-7005	Available in Reman Only
5FD20									
1986-1994	1Z [12]	12	2.5	28100-40291-71	128000-0974		R	280-7005	Available in Reman Only
5FD23									
1986-1994	1Z [12]	12	2.5	28100-40291-71	128000-0974		R	280-7005	Available in Reman Only
5FD25									
1986-1994	1Z [12]	12	2.5	28100-40291-71	128000-0974		R	280-7005	Available in Reman Only



YEAR	ENGINE	VOLTS	kW	OEM PART NUMBER	NEW PART NUMBER	SOLENOID ANGLE	TYPE	REMAN PART NUMBER	APPLICATION INFORMATION
TOYOTA (continued)									
5FD28									
1986-1994	1Z [12]	12	2.5	28100-40291-71	128000-0974		R	280-7005	Available in Reman Only
5FD30									
1986-1994	1Z [12]	12	2.5	28100-40291-71	128000-0974		R	280-7005	Available in Reman Only
5FDA50									
1988-1996	11Z..ATM [12]	12	2.5	28100-40291-71	128000-0974		R	280-7005	Available in Reman Only
5FDC20									
1988-1993	2J	12	2.5	28100-40291-71	128000-0974		R	280-7005	Available in Reman Only
5FDC25									
1988-1993	2J	12	2.5	28100-40291-71	128000-0974		R	280-7005	Available in Reman Only
5FDC30									
1988-1993	2J	12	2.5	28100-40291-71	128000-0974		R	280-7005	Available in Reman Only
5FDCU20									
1990-1995	2J	12	2.5	28100-40291-71	128000-0974		R	280-7005	Available in Reman Only
5FDCU25									
1990-1995	2J	12	2.5	28100-40291-71	128000-0974		R	280-7005	Available in Reman Only
5FDCU30									
1990-1995	2J	12	2.5	28100-40291-71	128000-0974		R	280-7005	Available in Reman Only
5FDF15									
1989-1994	1DZ	12	2.5	28100-40291-71	128000-0974		R	280-7005	Available in Reman Only
1987-1989	2J	12	2.5	28100-40291-71	128000-0974		R	280-7005	Available in Reman Only
5FDF18									
1989-1994	1DZ	12	2.5	28100-40291-71	128000-0974		R	280-7005	Available in Reman Only
1987-1989	2J	12	2.5	28100-40291-71	128000-0974		R	280-7005	Available in Reman Only
5FDF20									
1987-1994	1Z (12)	12	2.5	28100-40291-71	128000-0974		R	280-7005	Available in Reman Only
60-5FD20									
1989-1994	1DZ	12	2.5	28100-40291-71	128000-0974		R	280-7005	Available in Reman Only
60-5FD23									
1989-1994	1DZ	12	2.5	28100-40291-71	128000-0974		R	280-7005	Available in Reman Only
60-5FD25									
1989-1994	1DZ	12	2.5	28100-40291-71	128000-0974		R	280-7005	Available in Reman Only
60-5FD28									
1989-1994	1DZ	12	2.5	28100-40291-71	128000-0974		R	280-7005	Available in Reman Only
60-5FD30									
1989-1994	1DZ	12	2.5	28100-40291-71	128000-0974		R	280-7005	Available in Reman Only
60-6FD20									
1993-1998	1DZ	12	2.5	28100-40291-71	128000-0974		R	280-7005	Available in Reman Only
60-6FD23									
1993-1998	1DZ	12	2.5	28100-40291-71	128000-0974		R	280-7005	Available in Reman Only
60-6FD25									
1993-1998	1DZ	12	2.5	28100-40291-71	128000-0974		R	280-7005	Available in Reman Only

STARTER APPLICATIONS



YEAR	ENGINE	VOLTS	KW	OEM PART NUMBER	NEW PART NUMBER	SOLENOID ANGLE	TYPE	REMAN PART NUMBER	APPLICATION INFORMATION
TOYOTA (continued)									
60-6FD28									
1994-1998	1DZ	12	2.5	28100-40291-71	128000-0974		R	280-7005	Available in Reman Only
60-6FD30									
1994-1998	1DZ	12	2.5	28100-40291-71	128000-0974		R	280-7005	Available in Reman Only
60-6FDN20									
1994-1999	1DZ	12	2.5	28100-40291-71	128000-0974		R	280-7005	Available in Reman Only
60-6FDN30									
1994-1999	1DZ	12	2.5	28100-40291-71	128000-0974		R	280-7005	Available in Reman Only
60-7FD20									
1998-Up	1DZ	12	2.5	28100-40291-71	128000-0974		R	280-7005	Available in Reman Only
60-7FD25									
1998-Up	1DZ	12	2.5	28100-40291-71	128000-0974		R	280-7005	Available in Reman Only
60-7FD30									
1998-Up	1DZ	12	2.5	28100-40291-71	128000-0974		R	280-7005	Available in Reman Only
60-7FDN20									
2003-Up	1DZ	12	2.5	28100-40291-71	128000-0974		R	280-7005	Available in Reman Only
60-7FDN25									
2003-Up	1DZ	12	2.5	28100-40291-71	128000-0974		R	280-7005	Available in Reman Only
60-7FDN30									
2003-Up	1DZ	12	2.5	28100-40291-71	128000-0974		R	280-7005	Available in Reman Only
62-5FD20									
1989-1994	1DZ	12	2.5	28100-40291-71	128000-0974		R	280-7005	Available in Reman Only
62-5FD23									
1989-1994	1DZ	12	2.5	28100-40291-71	128000-0974		R	280-7005	Available in Reman Only
62-5FD25									
1989-1994	1DZ	12	2.5	28100-40291-71	128000-0974		R	280-7005	Available in Reman Only
62-5FD28									
1989-1994	1DZ	12	2.5	28100-40291-71	128000-0974		R	280-7005	Available in Reman Only
62-5FD30									
1989-1994	1DZ	12	2.5	28100-40291-71	128000-0974		R	280-7005	Available in Reman Only
62-5FDF20									
1993-1994	1DZ	12	2.5	28100-40291-71	128000-0974		R	280-7005	Available in Reman Only
62-5FDF30									
1993-1994	1DZ	12	2.5	28100-40291-71	128000-0974		R	280-7005	Available in Reman Only
62-6FD20									
1993-1998	1DZ	12	2.5	28100-40291-71	128000-0974		R	280-7005	Available in Reman Only
62-6FD23									
1993-1998	1DZ	12	2.5	28100-40291-71	128000-0974		R	280-7005	Available in Reman Only
62-6FD25									
1993-1998	1DZ	12	2.5	28100-40291-71	128000-0974		R	280-7005	Available in Reman Only
62-6FD28									
1994-1998	1DZ	12	2.5	28100-40291-71	128000-0974		R	280-7005	Available in Reman Only

STARTER APPLICATIONS



YEAR	ENGINE	VOLTS	kW	OEM PART NUMBER	NEW PART NUMBER	SOLENOID ANGLE	TYPE	REMAN PART NUMBER	APPLICATION INFORMATION
TOYOTA (continued)									
62-6FD30									
1994-1998	1DZ	12	2.5	28100-40291-71	128000-0974		R	280-7005	Available in Reman Only
62-6FDA20									
1994-1999	1DZ	12	2.5	28100-40291-71	128000-0974		R	280-7005	Available in Reman Only
62-6FDA25									
1994-1999	1DZ	12	2.5	28100-40291-71	128000-0974		R	280-7005	Available in Reman Only
62-6FDA30									
1994-1999	1DZ	12	2.5	28100-40291-71	128000-0974		R	280-7005	Available in Reman Only
62-6FDF20									
1994-1999	1DZ	12	2.5	28100-40291-71	128000-0974		R	280-7005	Available in Reman Only
62-6FDF25									
1994-1999	1DZ	12	2.5	28100-40291-71	128000-0974		R	280-7005	Available in Reman Only
62-6FDF30									
1994-1999	1DZ	12	2.5	28100-40291-71	128000-0974		R	280-7005	Available in Reman Only
62-6FDU25									
1995-1999	1DZ	12	2.5	28100-40291-71	128000-0974		R	280-7005	Available in Reman Only
62-6FDU30									
1995-1999	1DZ	12	2.5	28100-40291-71	128000-0974		R	280-7005	Available in Reman Only
62-7FD20									
1998-Up	1DZ	12	2.5	28100-40291-71	128000-0974		R	280-7005	Available in Reman Only
62-7FD25									
1998-Up	1DZ	12	2.5	28100-40291-71	128000-0974		R	280-7005	Available in Reman Only
62-7FD30									
1998-Up	1DZ	12	2.5	28100-40291-71	128000-0974		R	280-7005	Available in Reman Only
62-7FDF20									
1999-Up	1DZ	12	2.5	28100-40291-71	128000-0974		R	280-7005	Available in Reman Only
62-7FDF25									
1999-Up	1DZ	12	2.5	28100-40291-71	128000-0974		R	280-7005	Available in Reman Only
62-7FDF30									
1999-Up	1DZ	12	2.5	28100-40291-71	128000-0974		R	280-7005	Available in Reman Only
62-7FDN20									
2003-Up	1DZ	12	2.5	28100-40291-71	128000-0974		R	280-7005	Available in Reman Only
62-7FDN25									
2003-Up	1DZ	12	2.5	28100-40291-71	128000-0974		R	280-7005	Available in Reman Only
62-7FDN30									
2003-Up	1DZ	12	2.5	28100-40291-71	128000-0974		R	280-7005	Available in Reman Only
6FD10									
1994-1998	1DZ	12	2.5	28100-40291-71	128000-0974		R	280-7005	Available in Reman Only
6FD14									
1994-1998	1DZ	12	2.5	28100-40291-71	128000-0974		R	280-7005	Available in Reman Only
6FD15									
1994-1998	1DZ	12	2.5	28100-40291-71	128000-0974		R	280-7005	Available in Reman Only

STARTER APPLICATIONS



YEAR	ENGINE	VOLTS	KW	OEM PART NUMBER	NEW PART NUMBER	SOLENOID ANGLE	TYPE	REMAN PART NUMBER	APPLICATION INFORMATION
TOYOTA (continued)									
6FD18									
1994-1998	1DZ	12	2.5	28100-40291-71	128000-0974		R	280-7005	Available in Reman Only
7FD10									
1998-Up	1DZ	12	2.5	28100-40291-71	128000-0974		R	280-7005	Available in Reman Only
7FD15									
1998-Up	1DZ	12	2.5	28100-40291-71	128000-0974		R	280-7005	Available in Reman Only
7FD20									
1999-Up	2Z..MTM	12	2.5	28100-40291-71	128000-0974		R	280-7005	Available in Reman Only
7FD25									
1999-Up	2Z..MTM	12	2.5	28100-40291-71	128000-0974		R	280-7005	Available in Reman Only
7FD30									
1999-Up	2Z..MTM	12	2.5	28100-40291-71	128000-0974		R	280-7005	Available in Reman Only
7FDAU50									
2000-Up	13Z	12	2.5	28100-40291-71	128000-0974		R	280-7005	Available in Reman Only
7FDJ35									
1999-Up	2Z..MTM	12	2.5	28100-40291-71	128000-0974		R	280-7005	Available in Reman Only
7FDK20									
1998-Up	1DZ	12	2.5	28100-40291-71	128000-0974		R	280-7005	Available in Reman Only
7FDK25									
1998-Up	1DZ	12	2.5	28100-40291-71	128000-0974		R	280-7005	Available in Reman Only
7FDK30									
1998-Up	1DZ	12	2.5	28100-40291-71	128000-0974		R	280-7005	Available in Reman Only
7FDKU40									
2000-Up	13Z	12	2.5	28100-40291-71	128000-0974		R	280-7005	Available in Reman Only
7FDN15									
2003-Up	1DZ	12	2.5	28100-40291-71	128000-0974		R	280-7005	Available in Reman Only
7FDN20									
2003-Up	2Z..MTM	12	2.5	28100-40291-71	128000-0974		R	280-7005	Available in Reman Only
7FDN25									
2003-Up	2Z..MTM	12	2.5	28100-40291-71	128000-0974		R	280-7005	Available in Reman Only
7FDN30									
2003-Up	2Z..MTM	12	2.5	28100-40291-71	128000-0974		R	280-7005	Available in Reman Only
7FDU15									
1999-Up	1DZ	12	2.5	28100-40291-71	128000-0974		R	280-7005	Available in Reman Only
7FDU18									
1999-Up	1DZ	12	2.5	28100-40291-71	128000-0974		R	280-7005	Available in Reman Only
7FDU20									
1999-Up	1DZ	12	2.5	28100-40291-71	128000-0974		R	280-7005	Available in Reman Only
7FDU25									
1999-Up	1DZ	12	2.5	28100-40291-71	128000-0974		R	280-7005	Available in Reman Only
7FDU30									
1999-Up	1DZ	12	2.5	28100-40291-71	128000-0974		R	280-7005	Available in Reman Only



YEAR	ENGINE	VOLTS	kW	OEM PART NUMBER	NEW PART NUMBER	SOLENOID ANGLE	TYPE	REMAN PART NUMBER	APPLICATION INFORMATION
TOYOTA (continued)									
7FDU32									
1999-Up	1DZ	12	2.5	28100-40291-71	128000-0974		R	280-7005	Available in Reman Only
7FDU35									
2000-Up	13Z	12	2.5	28100-40291-71	128000-0974		R	280-7005	Available in Reman Only
7FDU45									
2000-Up	13Z	12	2.5	28100-40291-71	128000-0974		R	280-7005	Available in Reman Only
7FDU60									
2000-Up	13Z	12	2.5	28100-40291-71	128000-0974		R	280-7005	Available in Reman Only
7FDU70									
2000-Up	13Z	12	2.5	28100-40291-71	128000-0974		R	280-7005	Available in Reman Only
7FDU80									
2000-Up	13Z	12	2.5	28100-40291-71	128000-0974		R	280-7005	Available in Reman Only
FDC18									
1985-1988	2J (12...UL-D)	12	2.5	28100-40291-71	128000-0974		R	280-7005	Available in Reman Only
FDC23									
1985-1988	2J (12...UL-D)	12	2.5	28100-40291-71	128000-0974		R	280-7005	Available in Reman Only
SDK10									
1989-1997	1Z	12	2.5	28100-40291-71	128000-0974		R	280-7005	Available in Reman Only
2SDK7									
1986-1992	2J	12	2.5	28100-42800-71	128000-4102		R	280-7016	Available in Reman Only
2SDK8									
1986-1992	2J	12	2.5	28100-42800-71	128000-4102		R	280-7016	Available in Reman Only
4SDK8									
1997-up	1DZ	12	2.5	28100-42800-71	128000-4102		R	280-7016	Available in Reman Only
02-5FD10									
1989-1994	1DZ (OIL CLUTCH)	12	2.5	28300-23041-71	128000-4113		R	280-7008	Available in Reman Only
1989-1994	1DZ (UL-DS)	12	2.5	28300-23041-71	128000-4113		R	280-7008	Available in Reman Only
1986-1989	2J (OIL CLUTCH)	12	2.5	28300-23041-71	128000-4113		R	280-7008	Available in Reman Only
1986-1989	2J (UL-DS)	12	2.5	28300-23041-71	128000-4113		R	280-7008	Available in Reman Only
02-5FD14									
1989-1994	1DZ (OIL CLUTCH)	12	2.5	28300-23041-71	128000-4113		R	280-7008	Available in Reman Only
1989-1994	1DZ (UL-DS)	12	2.5	28300-23041-71	128000-4113		R	280-7008	Available in Reman Only
1986-1989	2J (OIL CLUTCH)	12	2.5	28300-23041-71	128000-4113		R	280-7008	Available in Reman Only
1986-1989	2J (UL-DS)	12	2.5	28300-23041-71	128000-4113		R	280-7008	Available in Reman Only
02-5FD15									
1989-1994	1DZ (OIL CLUTCH)	12	2.5	28300-23041-71	128000-4113		R	280-7008	Available in Reman Only
1989-1994	1DZ (UL-DS)	12	2.5	28300-23041-71	128000-4113		R	280-7008	Available in Reman Only
1986-1989	2J (OIL CLUTCH)	12	2.5	28300-23041-71	128000-4113		R	280-7008	Available in Reman Only
1986-1989	2J (UL-DS)	12	2.5	28300-23041-71	128000-4113		R	280-7008	Available in Reman Only
02-5FD18									
1989-1994	1DZ (OIL CLUTCH)	12	2.5	28300-23041-71	128000-4113		R	280-7008	Available in Reman Only

STARTER APPLICATIONS



YEAR	ENGINE	VOLTS	KW	OEM PART NUMBER	NEW PART NUMBER	SOLENOID ANGLE	TYPE	REMAN PART NUMBER	APPLICATION INFORMATION
TOYOTA (continued)									
02-5FD18 (continued)									
1989-1994	1DZ (UL-DS)	12	2.5	28300-23041-71	128000-4113		R	280-7008	Available in Reman Only
1986-1989	2J (OIL CLUTCH)	12	2.5	28300-23041-71	128000-4113		R	280-7008	Available in Reman Only
1986-1989	2J (UL-DS)	12	2.5	28300-23041-71	128000-4113		R	280-7008	Available in Reman Only
02-5FD20									
1986-1994	1Z (OIL CLUTCH) [12]	12	2.5	28300-23041-71	128000-4113		R	280-7008	Available in Reman Only
1986-1994	1Z (UL-DS) [12]	12	2.5	28300-23041-71	128000-4113		R	280-7008	Available in Reman Only
02-5FD23									
1986-1994	1Z (OIL CLUTCH) [12]	12	2.5	28300-23041-71	128000-4113		R	280-7008	Available in Reman Only
1986-1994	1Z (UL-DS) [12]	12	2.5	28300-23041-71	128000-4113		R	280-7008	Available in Reman Only
02-5FD25									
1986-1994	1Z (OIL CLUTCH) [12]	12	2.5	28300-23041-71	128000-4113		R	280-7008	Available in Reman Only
1986-1994	1Z (UL-DS) [12]	12	2.5	28300-23041-71	128000-4113		R	280-7008	Available in Reman Only
02-5FD28									
1986-1994	1Z (OIL CLUTCH) [12]	12	2.5	28300-23041-71	128000-4113		R	280-7008	Available in Reman Only
1986-1994	1Z (UL-DS) [12]	12	2.5	28300-23041-71	128000-4113		R	280-7008	Available in Reman Only
02-5FD30									
1986-1994	1Z (OIL CLUTCH) [12]	12	2.5	28300-23041-71	128000-4113		R	280-7008	Available in Reman Only
1986-1994	1Z (UL-DS) [12]	12	2.5	28300-23041-71	128000-4113		R	280-7008	Available in Reman Only
02-5FDU15									
1992-1995	1DZ (UL-DS)	12	2.5	28300-23041-71	128000-4113		R	280-7008	Available in Reman Only
02-5FDU18									
1992-1995	1DZ (UL-DS)	12	2.5	28300-23041-71	128000-4113		R	280-7008	Available in Reman Only
02-5FDU20									
1991-1995	1Z (UL-DS) [12]	12	2.5	28300-23041-71	128000-4113		R	280-7008	Available in Reman Only
02-5FDU25									
1991-1995	1Z (UL-DS) [12]	12	2.5	28300-23041-71	128000-4113		R	280-7008	Available in Reman Only
02-5FDU30									
1991-1995	1Z (UL-DS) [12]	12	2.5	28300-23041-71	128000-4113		R	280-7008	Available in Reman Only
02-6FDAU50									
1997-2000	13Z (UL-DS, SEALED STA&ALT)	12	2.5	28300-23041-71	128000-4113		R	280-7008	Available in Reman Only
02-6FDU15									
1995-1999	1DZ (UL-DS)	12	2.5	28300-23041-71	128000-4113		R	280-7008	Available in Reman Only
02-6FDU18									
1995-1999	1DZ (UL-DS)	12	2.5	28300-23041-71	128000-4113		R	280-7008	Available in Reman Only
02-6FDU33									
1997-2000	13Z (UL-DS, SEALED STA&ALT)	12	2.5	28300-23041-71	128000-4113		R	280-7008	Available in Reman Only



YEAR	ENGINE	VOLTS	kW	OEM PART NUMBER	NEW PART NUMBER	SOLENOID ANGLE	TYPE	REMAN PART NUMBER	APPLICATION INFORMATION
TOYOTA (continued)									
02-6FDU35									
1997-2000	13Z (UL-DS, SEALED STA&ALT)	12	2.5	28300-23041-71	128000-4113		R	280-7008	Available in Reman Only
02-6FDU40									
1997-2000	13Z (UL-DS, SEALED STA&ALT)	12	2.5	28300-23041-71	128000-4113		R	280-7008	Available in Reman Only
02-6FDU45									
1997-2000	13Z (UL-DS, SEALED STA&ALT)	12	2.5	28300-23041-71	128000-4113		R	280-7008	Available in Reman Only
04-5FD28									
1986-1994	1Z (OIL CLUTCH) [12]	12	2.5	28300-23041-71	128000-4113		R	280-7008	Available in Reman Only
1986-1994	1Z (UL-DS) [12]	12	2.5	28300-23041-71	128000-4113		R	280-7008	Available in Reman Only
04-5FD30									
1986-1994	1Z (OIL CLUTCH) [12]	12	2.5	28300-23041-71	128000-4113		R	280-7008	Available in Reman Only
1986-1994	1Z (UL-DS) [12]	12	2.5	28300-23041-71	128000-4113		R	280-7008	Available in Reman Only
5FD10									
1989-1994	1DZ (OIL CLUTCH)	12	2.5	28300-23041-71	128000-4113		R	280-7008	Available in Reman Only
1989-1994	1DZ (UL-DS)	12	2.5	28300-23041-71	128000-4113		R	280-7008	Available in Reman Only
1986-1989	2J (OIL CLUTCH)	12	2.5	28300-23041-71	128000-4113		R	280-7008	Available in Reman Only
1986-1989	2J (UL-DS)	12	2.5	28300-23041-71	128000-4113		R	280-7008	Available in Reman Only
5FD14									
1989-1994	1DZ (OIL CLUTCH)	12	2.5	28300-23041-71	128000-4113		R	280-7008	Available in Reman Only
1989-1994	1DZ (UL-DS)	12	2.5	28300-23041-71	128000-4113		R	280-7008	Available in Reman Only
1986-1989	2J (OIL CLUTCH)	12	2.5	28300-23041-71	128000-4113		R	280-7008	Available in Reman Only
1986-1989	2J (UL-DS)	12	2.5	28300-23041-71	128000-4113		R	280-7008	Available in Reman Only
5FD15									
1986-1989	2J (OIL CLUTCH)	12	2.5	28300-23041-71	128000-4113		R	280-7008	Available in Reman Only
1986-1989	2J (UL-DS)	12	2.5	28300-23041-71	128000-4113		R	280-7008	Available in Reman Only
5FD18									
1989-1994	1DZ (OIL CLUTCH)	12	2.5	28300-23041-71	128000-4113		R	280-7008	Available in Reman Only
1989-1994	1DZ (UL-DS)	12	2.5	28300-23041-71	128000-4113		R	280-7008	Available in Reman Only
1986-1989	2J (OIL CLUTCH)	12	2.5	28300-23041-71	128000-4113		R	280-7008	Available in Reman Only
1986-1989	2J (UL-DS)	12	2.5	28300-23041-71	128000-4113		R	280-7008	Available in Reman Only
5FD20									
1986-1994	1Z (OIL CLUTCH) [12]	12	2.5	28300-23041-71	128000-4113		R	280-7008	Available in Reman Only
1986-1994	1Z (UL-DS) [12]	12	2.5	28300-23041-71	128000-4113		R	280-7008	Available in Reman Only
5FD23									
1986-1994	1Z (OIL CLUTCH) [12]	12	2.5	28300-23041-71	128000-4113		R	280-7008	Available in Reman Only
1986-1994	1Z (UL-DS) [12]	12	2.5	28300-23041-71	128000-4113		R	280-7008	Available in Reman Only

STARTER APPLICATIONS



YEAR	ENGINE	VOLTS	KW	OEM PART NUMBER	NEW PART NUMBER	SOLENOID ANGLE	TYPE	REMAN PART NUMBER	APPLICATION INFORMATION
TOYOTA (continued)									
5FD25									
1986-1994	1Z (OIL CLUTCH) [12]	12	2.5	28300-23041-71	128000-4113		R	280-7008	Available in Reman Only
1986-1994	1Z (UL-DS) [12]	12	2.5	28300-23041-71	128000-4113		R	280-7008	Available in Reman Only
5FD28									
1986-1994	1Z (OIL CLUTCH) [12]	12	2.5	28300-23041-71	128000-4113		R	280-7008	Available in Reman Only
1986-1994	1Z (UL-DS) [12]	12	2.5	28300-23041-71	128000-4113		R	280-7008	Available in Reman Only
5FD30									
1986-1994	1Z (OIL CLUTCH) [12]	12	2.5	28300-23041-71	128000-4113		R	280-7008	Available in Reman Only
1986-1994	1Z (UL-DS) [12]	12	2.5	28300-23041-71	128000-4113		R	280-7008	Available in Reman Only
5FDC20									
1988-1993	2J (SEALED STARTER)	12	2.5	28300-23041-71	128000-4113		R	280-7008	Available in Reman Only
5FDC25									
1988-1993	2J (SEALED STARTER)	12	2.5	28300-23041-71	128000-4113		R	280-7008	Available in Reman Only
5FDC30									
1988-1993	2J (SEALED STARTER)	12	2.5	28300-23041-71	128000-4113		R	280-7008	Available in Reman Only
60-5FD20									
1989-1994	1DZ (OIL CLUTCH)	12	2.5	28300-23041-71	128000-4113		R	280-7008	Available in Reman Only
1989-1994	1DZ (UL-DS)	12	2.5	28300-23041-71	128000-4113		R	280-7008	Available in Reman Only
60-5FD23									
1989-1994	1DZ (OIL CLUTCH)	12	2.5	28300-23041-71	128000-4113		R	280-7008	Available in Reman Only
1989-1994	1DZ (UL-DS)	12	2.5	28300-23041-71	128000-4113		R	280-7008	Available in Reman Only
60-5FD25									
1989-1994	1DZ (OIL CLUTCH)	12	2.5	28300-23041-71	128000-4113		R	280-7008	Available in Reman Only
1989-1994	1DZ (UL-DS)	12	2.5	28300-23041-71	128000-4113		R	280-7008	Available in Reman Only
60-5FD28									
1989-1994	1DZ (OIL CLUTCH)	12	2.5	28300-23041-71	128000-4113		R	280-7008	Available in Reman Only
1989-1994	1DZ (UL-DS)	12	2.5	28300-23041-71	128000-4113		R	280-7008	Available in Reman Only
60-5FD30									
1989-1994	1DZ (OIL CLUTCH)	12	2.5	28300-23041-71	128000-4113		R	280-7008	Available in Reman Only
1989-1994	1DZ (UL-DS)	12	2.5	28300-23041-71	128000-4113		R	280-7008	Available in Reman Only
60-6FD20									
1993-1998	1DZ..MTM (OIL CLUTCH)	12	2.5	28300-23041-71	128000-4113		R	280-7008	Available in Reman Only

STARTER APPLICATIONS



YEAR	ENGINE	VOLTS	KW	OEM PART NUMBER	NEW PART NUMBER	SOLENOID ANGLE	TYPE	REMAN PART NUMBER	APPLICATION INFORMATION
TOYOTA (continued)									
60-6FD23									
1993-1998	1DZ..MTM (OIL CLUTCH)	12	2.5	28300-23041-71	128000-4113		R	280-7008	Available in Reman Only
60-6FD25									
1993-1998	1DZ..MTM (OIL CLUTCH)	12	2.5	28300-23041-71	128000-4113		R	280-7008	Available in Reman Only
60-6FD28									
1994-1998	1DZ..MTM (OIL CLUTCH)	12	2.5	28300-23041-71	128000-4113		R	280-7008	Available in Reman Only
60-6FD30									
1994-1998	1DZ..MTM (OIL CLUTCH)	12	2.5	28300-23041-71	128000-4113		R	280-7008	Available in Reman Only
60-7FD20									
1998-2001	1DZ..MTM (OIL CLUTCH)	12	2.5	28300-23041-71	128000-4113		R	280-7008	Available in Reman Only
60-7FD25									
1998-2001	1DZ..MTM (OIL CLUTCH)	12	2.5	28300-23041-71	128000-4113		R	280-7008	Available in Reman Only
60-7FD30									
1998-2001	1DZ..MTM (OIL CLUTCH)	12	2.5	28300-23041-71	128000-4113		R	280-7008	Available in Reman Only
62-5FD20									
1989-1994	1DZ (OIL CLUTCH)	12	2.5	28300-23041-71	128000-4113		R	280-7008	Available in Reman Only
1989-1994	1DZ (UL-DS)	12	2.5	28300-23041-71	128000-4113		R	280-7008	Available in Reman Only
62-5FD23									
1989-1994	1DZ (OIL CLUTCH)	12	2.5	28300-23041-71	128000-4113		R	280-7008	Available in Reman Only
1989-1994	1DZ (UL-DS)	12	2.5	28300-23041-71	128000-4113		R	280-7008	Available in Reman Only
62-5FD25									
1989-1994	1DZ (OIL CLUTCH)	12	2.5	28300-23041-71	128000-4113		R	280-7008	Available in Reman Only
1989-1994	1DZ (UL-DS)	12	2.5	28300-23041-71	128000-4113		R	280-7008	Available in Reman Only
62-5FD28									
1989-1994	1DZ (OIL CLUTCH)	12	2.5	28300-23041-71	128000-4113		R	280-7008	Available in Reman Only
1989-1994	1DZ (UL-DS)	12	2.5	28300-23041-71	128000-4113		R	280-7008	Available in Reman Only
62-5FD30									
1989-1994	1DZ (OIL CLUTCH)	12	2.5	28300-23041-71	128000-4113		R	280-7008	Available in Reman Only
1989-1994	1DZ (UL-DS)	12	2.5	28300-23041-71	128000-4113		R	280-7008	Available in Reman Only
62-6FDU25									
1995-1999	1DZ (UL-DS)	12	2.5	28300-23041-71	128000-4113		R	280-7008	Available in Reman Only
62-6FDU30									
1995-1999	1DZ (UL-DS)	12	2.5	28300-23041-71	128000-4113		R	280-7008	Available in Reman Only

STARTER APPLICATIONS



YEAR	ENGINE	VOLTS	KW	OEM PART NUMBER	NEW PART NUMBER	SOLENOID ANGLE	TYPE	REMAN PART NUMBER	APPLICATION INFORMATION
TOYOTA (continued)									
6FD10									
1994-1998	1DZ..MTM (OIL CLUTCH)	12	2.5	28300-23041-71	128000-4113		R	280-7008	Available in Reman Only
6FD14									
1994-1998	1DZ..MTM (OIL CLUTCH)	12	2.5	28300-23041-71	128000-4113		R	280-7008	Available in Reman Only
6FD15									
1994-1998	1DZ..MTM (OIL CLUTCH)	12	2.5	28300-23041-71	128000-4113		R	280-7008	Available in Reman Only
6FD18									
1994-1998	1DZ..MTM (OIL CLUTCH)	12	2.5	28300-23041-71	128000-4113		R	280-7008	Available in Reman Only
7FD10									
1998-2001	1DZ..MTM (OIL CLUTCH)	12	2.5	28300-23041-71	128000-4113		R	280-7008	Available in Reman Only
7FD15									
1998-2001	1DZ..MTM (OIL CLUTCH)	12	2.5	28300-23041-71	128000-4113		R	280-7008	Available in Reman Only
7FDAU50									
2000-2001	13Z (SEALED STARTER)	12	2.5	28300-23041-71	128000-4113		R	280-7008	Available in Reman Only
7FDK20									
1998-2001	1DZ..MTM (OIL CLUTCH)	12	2.5	28300-23041-71	128000-4113		R	280-7008	Available in Reman Only
7FDK25									
1998-2001	1DZ..MTM (OIL CLUTCH)	12	2.5	28300-23041-71	128000-4113		R	280-7008	Available in Reman Only
7FDK30									
1998-2001	1DZ..MTM (OIL CLUTCH)	12	2.5	28300-23041-71	128000-4113		R	280-7008	Available in Reman Only
7FDKU40									
2000-2001	13Z (SEALED STARTER)	12	2.5	28300-23041-71	128000-4113		R	280-7008	Available in Reman Only
7FDU15									
1999-2001	1DZ (UL-DS)	12	2.5	28300-23041-71	128000-4113		R	280-7008	Available in Reman Only
7FDU18									
1999-2001	1DZ (UL-DS)	12	2.5	28300-23041-71	128000-4113		R	280-7008	Available in Reman Only
7FDU20									
1999-2001	1DZ (UL-DS)	12	2.5	28300-23041-71	128000-4113		R	280-7008	Available in Reman Only
7FDU25									
1999-2001	1DZ (UL-DS)	12	2.5	28300-23041-71	128000-4113		R	280-7008	Available in Reman Only
7FDU30									
1999-2001	1DZ (UL-DS)	12	2.5	28300-23041-71	128000-4113		R	280-7008	Available in Reman Only



YEAR	ENGINE	VOLTS	kW	OEM PART NUMBER	NEW PART NUMBER	SOLENOID ANGLE	TYPE	REMAN PART NUMBER	APPLICATION INFORMATION
TOYOTA (continued)									
7FDU32									
1999-2001	1DZ (UL-DS)	12	2.5	28300-23041-71	128000-4113		R	280-7008	Available in Reman Only
7FDU35									
2000-2001	13Z (SEALED STARTER)	12	2.5	28300-23041-71	128000-4113		R	280-7008	Available in Reman Only
7FDU45									
2000-2001	13Z (SEALED STARTER)	12	2.5	28300-23041-71	128000-4113		R	280-7008	Available in Reman Only
7FDU60									
2000-2001	13Z (SEALED STARTER)	12	2.5	28300-23041-71	128000-4113		R	280-7008	Available in Reman Only
7FDU70									
2000-2001	13Z (SEALED STARTER)	12	2.5	28300-23041-71	128000-4113		R	280-7008	Available in Reman Only
7FDU80									
2000-2001	13Z (SEALED STARTER)	12	2.5	28300-23041-71	128000-4113		R	280-7008	Available in Reman Only
5FD33									
1988-1996	11Z..MTM [12V]	12	2.5	28300-32880-71	128000-6912		R	280-7062	Available in Reman Only
5FD35									
1988-1996	11Z..MTM [12V]	12	2.5	28300-32880-71	128000-6912		R	280-7062	Available in Reman Only
5FD38									
1988-1996	11Z..MTM [12V]	12	2.5	28300-32880-71	128000-6912		R	280-7062	Available in Reman Only
5FD40									
1988-1996	11Z..MTM [12V]	12	2.5	28300-32880-71	128000-6912		R	280-7062	Available in Reman Only
5FD45									
1988-1996	11Z..MTM [12V]	12	2.5	28300-32880-71	128000-6912		R	280-7062	Available in Reman Only
5FDE35									
1988-1996	11Z..MTM [12V]	12	2.5	28300-32880-71	128000-6912		R	280-7062	Available in Reman Only
6FD33									
1996-1999	13Z..MTM [12V]	12	2.5	28300-32880-71	128000-6912		R	280-7062	Available in Reman Only
6FD35									
1996-1999	13Z..MTM [12V]	12	2.5	28300-32880-71	128000-6912		R	280-7062	Available in Reman Only
6FD40									
1996-1999	13Z..MTM [12V]	12	2.5	28300-32880-71	128000-6912		R	280-7062	Available in Reman Only
6FD45									
1996-1999	13Z..MTM [12V]	12	2.5	28300-32880-71	128000-6912		R	280-7062	Available in Reman Only
6FDE35									
1996-1999	13Z..MTM [12V]	12	2.5	28300-32880-71	128000-6912		R	280-7062	Available in Reman Only
6FDN35									
1996-1997	13Z..MTM	12	2.5	28300-32880-71	128000-6912		R	280-7062	Available in Reman Only
7FD35									
1998-Up	13Z..MTM	12	2.5	28300-32880-71	128000-6912		R	280-7062	Available in Reman Only

STARTER APPLICATIONS



YEAR	ENGINE	VOLTS	KW	OEM PART NUMBER	NEW PART NUMBER	SOLENOID ANGLE	TYPE	REMAN PART NUMBER	APPLICATION INFORMATION
TOYOTA (continued)									
7FD40									
1998-Up	13Z..MTM	12	2.5	28300-32880-71	128000-6912		R	280-7062	Available in Reman Only
7FD45									
1998-Up	13Z..MTM	12	2.5	28300-32880-71	128000-6912		R	280-7062	Available in Reman Only
7FDK40									
1998-Up	13Z..MTM	12	2.5	28300-32880-71	128000-6912		R	280-7062	Available in Reman Only
2TG10									
1997-2002	5K	12	0.8	28100-23800-71	128000-8130		G	280-7007	Available in Reman Only
40-2FG7									
1992-1997	5K	12	0.8	28100-23800-71	128000-8130		G	280-7007	Available in Reman Only
40-2FG9									
1992-1997	5K	12	0.8	28100-23800-71	128000-8130		G	280-7007	Available in Reman Only
40-3FG7									
1997-2002	5K	12	0.8	28100-23800-71	128000-8130		G	280-7007	Available in Reman Only
40-3FG9									
1997-2002	5K	12	0.8	28100-23800-71	128000-8130		G	280-7007	Available in Reman Only
6FG20									
1993-1998	5K..MTM	12	0.8	28100-23800-71	128000-8130		G	280-7007	Available in Reman Only
6FG23									
1993-1998	5K..MTM	12	0.8	28100-23800-71	128000-8130		G	280-7007	Available in Reman Only
6FG25									
1993-1998	5K..MTM	12	0.8	28100-23800-71	128000-8130		G	280-7007	Available in Reman Only
7FG10									
1998-2002	5K..MTM	12	0.8	28100-23800-71	128000-8130		G	280-7007	Available in Reman Only
7FG15									
1998-2002	5K..MTM	12	0.8	28100-23800-71	128000-8130		G	280-7007	Available in Reman Only
7FG20									
1998-2002	5K..MTM	12	0.8	28100-23800-71	128000-8130		G	280-7007	Available in Reman Only
7FG25									
1998-2002	5K..MTM	12	0.8	28100-23800-71	128000-8130		G	280-7007	Available in Reman Only
7FGK20									
1998-2002	5K..MTM	12	0.8	28100-23800-71	128000-8130		G	280-7007	Available in Reman Only
7FGK25									
1998-2002	5K..MTM	12	0.8	28100-23800-71	128000-8130		G	280-7007	Available in Reman Only
02-5FG10									
1989-1994	5K..ATM	12	1.0	28100-23810-71	128000-8241		R	280-7052	Available in Reman Only
02-5FG14									
1989-1994	5K..ATM	12	1.0	28100-23810-71	128000-8241		R	280-7052	Available in Reman Only
02-5FG15									
1989-1994	5K..ATM	12	1.0	28100-23810-71	128000-8241		R	280-7052	Available in Reman Only
02-5FG18									
1989-1994	5K..ATM	12	1.0	28100-23810-71	128000-8241		R	280-7052	Available in Reman Only



YEAR	ENGINE	VOLTS	kW	OEM PART NUMBER	NEW PART NUMBER	SOLENOID ANGLE	TYPE	REMAN PART NUMBER	APPLICATION INFORMATION
TOYOTA (continued)									
02-5FG20									
1989-1994	5K..ATM	12	1.0	28100-23810-71	128000-8241		R	280-7052	Available in Reman Only
02-5FG23									
1989-1994	5K..ATM	12	1.0	28100-23810-71	128000-8241		R	280-7052	Available in Reman Only
02-5FG25									
1989-1994	5K..ATM	12	1.0	28100-23810-71	128000-8241		R	280-7052	Available in Reman Only
02-6FG10									
1994-1998	5K..ATM	12	1.0	28100-23810-71	128000-8241		R	280-7052	Available in Reman Only
02-6FG14									
1994-1998	5K..ATM	12	1.0	28100-23810-71	128000-8241		R	280-7052	Available in Reman Only
02-6FG15									
1994-1998	5K..ATM	12	1.0	28100-23810-71	128000-8241		R	280-7052	Available in Reman Only
02-6FG18									
1994-1998	5K..ATM	12	1.0	28100-23810-71	128000-8241		R	280-7052	Available in Reman Only
02-6FG20									
1993-1998	5K..ATM	12	1.0	28100-23810-71	128000-8241		R	280-7052	Available in Reman Only
02-6FG23									
1993-1998	5K..ATM	12	1.0	28100-23810-71	128000-8241		R	280-7052	Available in Reman Only
02-6FG25									
1993-1998	5K..ATM	12	1.0	28100-23810-71	128000-8241		R	280-7052	Available in Reman Only
02-6FGA15									
1994-1999	5K	12	1.0	28100-23810-71	128000-8241		R	280-7052	Available in Reman Only
02-6FGA18									
1994-1999	5K	12	1.0	28100-23810-71	128000-8241		R	280-7052	Available in Reman Only
02-7FG10									
1998-2002	5K..ATM	12	1.0	28100-23810-71	128000-8241		R	280-7052	Available in Reman Only
02-7FG14									
1998-2002	5K..ATM	12	1.0	28100-23810-71	128000-8241		R	280-7052	Available in Reman Only
02-7FG15									
1998-2002	5K..ATM	12	1.0	28100-23810-71	128000-8241		R	280-7052	Available in Reman Only
02-7FG20									
1998-2002	5K..ATM	12	1.0	28100-23810-71	128000-8241		R	280-7052	Available in Reman Only
02-7FG25									
1998-2002	5K..ATM	12	1.0	28100-23810-71	128000-8241		R	280-7052	Available in Reman Only
02-7FGK20									
1998-2002	5K..ATM	12	1.0	28100-23810-71	128000-8241		R	280-7052	Available in Reman Only
02-7FGK25									
1998-2002	5K..ATM	12	1.0	28100-23810-71	128000-8241		R	280-7052	Available in Reman Only
40-5FGF15									
1989-1994	4Y	12	1.0	28100-23810-71	128000-8241		R	280-7052	Available in Reman Only
40-5FGF18									
1989-1994	4Y	12	1.0	28100-23810-71	128000-8241		R	280-7052	Available in Reman Only

STARTER APPLICATIONS



YEAR	ENGINE	VOLTS	KW	OEM PART NUMBER	NEW PART NUMBER	SOLENOID ANGLE	TYPE	REMAN PART NUMBER	APPLICATION INFORMATION
TOYOTA (continued)									
40-5FGF20									
1989-1994	4Y	12	1.0	28100-23810-71	128000-8241		R	280-7052	Available in Reman Only
42-5FGF15									
1989-1994	4Y	12	1.0	28100-23810-71	128000-8241		R	280-7052	Available in Reman Only
42-5FGF18									
1989-1994	4Y	12	1.0	28100-23810-71	128000-8241		R	280-7052	Available in Reman Only
42-5FGF20									
1989-1994	4Y	12	1.0	28100-23810-71	128000-8241		R	280-7052	Available in Reman Only
5FG10									
1989-1994	5K..MTM	12	1.0	28100-23810-71	128000-8241		R	280-7052	Available in Reman Only
5FG14									
1989-1994	5K..MTM	12	1.0	28100-23810-71	128000-8241		R	280-7052	Available in Reman Only
5FG15									
1989-1994	5K..MTM	12	1.0	28100-23810-71	128000-8241		R	280-7052	Available in Reman Only
5FG18									
1989-1994	5K..MTM	12	1.0	28100-23810-71	128000-8241		R	280-7052	Available in Reman Only
5FG20									
1989-1994	5K..MTM	12	1.0	28100-23810-71	128000-8241		R	280-7052	Available in Reman Only
5FG23									
1989-1994	5K..MTM	12	1.0	28100-23810-71	128000-8241		R	280-7052	Available in Reman Only
5FG25									
1989-1994	5K..MTM	12	1.0	28100-23810-71	128000-8241		R	280-7052	Available in Reman Only
6FG10									
1994-1998	5K..MTM	12	1.0	28100-23810-71	128000-8241		R	280-7052	Available in Reman Only
6FG14									
1994-1998	5K..MTM	12	1.0	28100-23810-71	128000-8241		R	280-7052	Available in Reman Only
6FG15									
1994-1998	5K..MTM	12	1.0	28100-23810-71	128000-8241		R	280-7052	Available in Reman Only
6FG18									
1994-1998	5K..MTM	12	1.0	28100-23810-71	128000-8241		R	280-7052	Available in Reman Only
2TG20									
1989-Up	4Y..MTM	12	1.0	28100-23020-71	128000-8562		R	280-7050	Available in Reman Only
2TG25									
1989-Up	4Y..MTM	12	1.0	28100-23020-71	128000-8562		R	280-7050	Available in Reman Only
40-6FG10									
1994-1998	4Y..MTM	12	1.0	28100-23020-71	128000-8562		R	280-7050	Available in Reman Only
40-6FG14									
1994-1998	4Y..MTM	12	1.0	28100-23020-71	128000-8562		R	280-7050	Available in Reman Only
40-6FG15									
1994-1998	4Y..MTM	12	1.0	28100-23020-71	128000-8562		R	280-7050	Available in Reman Only
40-6FG18									
1994-1998	4Y..MTM	12	1.0	28100-23020-71	128000-8562		R	280-7050	Available in Reman Only



YEAR	ENGINE	VOLTS	kW	OEM PART NUMBER	NEW PART NUMBER	SOLENOID ANGLE	TYPE	REMAN PART NUMBER	APPLICATION INFORMATION
TOYOTA (continued)									
40-6FG20									
1994-1998	4Y..MTM	12	1.0	28100-23020-71	128000-8562		R	280-7050	Available in Reman Only
40-6FG23									
1994-1998	4Y..MTM	12	1.0	28100-23020-71	128000-8562		R	280-7050	Available in Reman Only
40-6FG25									
1994-1998	4Y..MTM	12	1.0	28100-23020-71	128000-8562		R	280-7050	Available in Reman Only
40-7FG15									
1998-1999	4Y..MTM	12	1.0	28100-23020-71	128000-8562		R	280-7050	Available in Reman Only
40-7FG20									
1998-1999	4Y..MTM	12	1.0	28100-23020-71	128000-8562		R	280-7050	Available in Reman Only
40-7FG23									
1998-1999	4Y..MTM	12	1.0	28100-23020-71	128000-8562		R	280-7050	Available in Reman Only
40-7FG25									
1998-1999	4Y..MTM	12	1.0	28100-23020-71	128000-8562		R	280-7050	Available in Reman Only
40-7FGK20									
1998-1999	4Y..MTM	12	1.0	28100-23020-71	128000-8562		R	280-7050	Available in Reman Only
40-7FGK25									
1998-1999	4Y..MTM	12	1.0	28100-23020-71	128000-8562		R	280-7050	Available in Reman Only
6FG28									
1994-1998	4Y..MTM	12	1.0	28100-23020-71	128000-8562		R	280-7050	Available in Reman Only
6FG30									
1994-1998	4Y..MTM	12	1.0	28100-23020-71	128000-8562		R	280-7050	Available in Reman Only
7FG30									
1998-1999	4Y..MTM	12	1.0	28100-23020-71	128000-8562		R	280-7050	Available in Reman Only
7FGJ35									
1998-1999	4Y..MTM	12	1.0	28100-23020-71	128000-8562		R	280-7050	Available in Reman Only
7FGK30									
1998-1999	4Y..MTM	12	1.0	28100-23020-71	128000-8562		R	280-7050	Available in Reman Only
02-2SD10									
1974-1990	2J, A/T	12	0.8	28100-35110	228000-3520		P	280-7018	Available in Reman Only
02-2SD12									
1974-1990	2J, A/T	12	0.8	28100-35110	228000-3520		P	280-7018	Available in Reman Only
02-2SG12									
1974-1990	5R, A/T	12	0.8	28100-35110	228000-3520		P	280-7018	Available in Reman Only
02-2SGH10									
1974-1990	4P, A/T	12	0.8	28100-35110	228000-3520		P	280-7018	Available in Reman Only
02-2SGH7									
1975-1992	4P, A/T	12	0.8	28100-35110	228000-3520		P	280-7018	Available in Reman Only
02-SD7									
1975-1992	2J, A/T	12	0.8	28100-35110	228000-3520		P	280-7018	Available in Reman Only
02-TD20									
1979-1989	2J, A/T	12	0.8	28100-35110	228000-3520		P	280-7018	Available in Reman Only



YEAR	ENGINE	VOLTS	KW	OEM PART NUMBER	NEW PART NUMBER	SOLENOID ANGLE	TYPE	REMAN PART NUMBER	APPLICATION INFORMATION
TOYOTA (continued)									
02-TD25									
1979-1989	2J, A/T	12	0.8	28100-35110	228000-3520		P	280-7018	Available in Reman Only
02-TG20									
1979-1989	5R, A/T	12	0.8	28100-35110	228000-3520		P	280-7018	Available in Reman Only
02-TG25									
1979-1989	5P, A/T	12	0.8	28100-35110	228000-3520		P	280-7018	Available in Reman Only
2SD10									
1974-1990	2J, M/T	12	0.8	28100-35110	228000-3520		P	280-7018	Available in Reman Only
2SD12									
1974-1990	2J, M/T	12	0.8	28100-35110	228000-3520		P	280-7018	Available in Reman Only
2SG12									
1974-1990	5R, M/T	12	0.8	28100-35110	228000-3520		P	280-7018	Available in Reman Only
2SGH10									
1974-1990	4P, M/T	12	0.8	28100-35110	228000-3520		P	280-7018	Available in Reman Only
2SGH7									
1975-1992	4P, M/T	12	0.8	28100-35110	228000-3520		P	280-7018	Available in Reman Only
SD7									
1975-1992	2J, M/T	12	0.8	28100-35110	228000-3520		P	280-7018	Available in Reman Only
SX									
1968-1988	5R	12	0.8	28100-35110	228000-3520		P	280-7018	Available in Reman Only
SY									
1968-1988	2J	12	0.8	28100-35110	228000-3520		P	280-7018	Available in Reman Only
TD20									
1973-1989	2J, M/T	12	0.8	28100-35110	228000-3520		P	280-7018	Available in Reman Only
TD25									
1973-1989	2J, M/T	12	0.8	28100-35110	228000-3520		P	280-7018	Available in Reman Only
TG20									
1973-1989	5R, M/T	12	0.8	28100-35110	228000-3520		P	280-7018	Available in Reman Only
TG25									
1973-1989	5R, M/T	12	0.8	28100-35110	228000-3520		P	280-7018	Available in Reman Only
02-6FD10									
1994-1998	1DZ	12	2.7	28100-23660-71	228000-3711		R	280-7051	Available in Reman Only
02-6FD14									
1994-1998	1DZ	12	2.7	28100-23660-71	228000-3711		R	280-7051	Available in Reman Only
02-6FD15									
1994-1998	1DZ	12	2.7	28100-23660-71	228000-3711		R	280-7051	Available in Reman Only
02-6FD18									
1994-1998	1DZ	12	2.7	28100-23660-71	228000-3711		R	280-7051	Available in Reman Only
02-6FD20									
1993-1998	2Z [12V]	12	2.7	28100-23660-71	228000-3711		R	280-7051	Available in Reman Only
02-6FD23									
1993-1998	2Z [12V]	12	2.7	28100-23660-71	228000-3711		R	280-7051	Available in Reman Only



YEAR	ENGINE	VOLTS	kW	OEM PART NUMBER	NEW PART NUMBER	SOLENOID ANGLE	TYPE	REMAN PART NUMBER	APPLICATION INFORMATION
TOYOTA (continued)									
02-6FD25									
1993-1998	ZZ [12V]	12	2.7	28100-23660-71	228000-3711		R	280-7051	Available in Reman Only
02-6FD28									
1994-1998	ZZ [12V]	12	2.7	28100-23660-71	228000-3711		R	280-7051	Available in Reman Only
02-6FD30									
1994-1998	ZZ [12V]	12	2.7	28100-23660-71	228000-3711		R	280-7051	Available in Reman Only
02-6FDA20									
1994-1999	ZZ	12	2.7	28100-23660-71	228000-3711		R	280-7051	Available in Reman Only
02-6FDA25									
1994-1999	ZZ	12	2.7	28100-23660-71	228000-3711		R	280-7051	Available in Reman Only
02-6FDA30									
1994-1999	ZZ	12	2.7	28100-23660-71	228000-3711		R	280-7051	Available in Reman Only
02-6FDF20									
1994-1999	ZZ [12V]	12	2.7	28100-23660-71	228000-3711		R	280-7051	Available in Reman Only
02-6FDF25									
1994-1999	ZZ [12V]	12	2.7	28100-23660-71	228000-3711		R	280-7051	Available in Reman Only
02-6FDF30									
1994-1999	ZZ [12V]	12	2.7	28100-23660-71	228000-3711		R	280-7051	Available in Reman Only
02-7FD10									
1998-2000	1DZ	12	2.7	28100-23660-71	228000-3711		R	280-7051	Available in Reman Only
2000-Up	1DZ (IN-LINE PUMP)	12	2.7	28100-23660-71	228000-3711		R	280-7051	Available in Reman Only
02-7FD14									
1998-2000	1DZ	12	2.7	28100-23660-71	228000-3711		R	280-7051	Available in Reman Only
2000-Up	1DZ (IN-LINE PUMP)	12	2.7	28100-23660-71	228000-3711		R	280-7051	Available in Reman Only
02-7FD15									
1998-2000	1DZ	12	2.7	28100-23660-71	228000-3711		R	280-7051	Available in Reman Only
2000-Up	1DZ (IN-LINE PUMP)	12	2.7	28100-23660-71	228000-3711		R	280-7051	Available in Reman Only
02-7FD18									
1998-2000	1DZ	12	2.7	28100-23660-71	228000-3711		R	280-7051	Available in Reman Only
2000-Up	1DZ (IN-LINE PUMP)	12	2.7	28100-23660-71	228000-3711		R	280-7051	Available in Reman Only
02-7FD20									
1999-Up	ZZ..ATM	12	2.7	28100-23660-71	228000-3711		R	280-7051	Available in Reman Only
1998-1999	ZZ	12	2.7	28100-23660-71	228000-3711		R	280-7051	Available in Reman Only
02-7FD25									
1999-Up	ZZ..ATM	12	2.7	28100-23660-71	228000-3711		R	280-7051	Available in Reman Only
1998-1999	ZZ	12	2.7	28100-23660-71	228000-3711		R	280-7051	Available in Reman Only
02-7FD30									
1999-Up	ZZ..ATM	12	2.7	28100-23660-71	228000-3711		R	280-7051	Available in Reman Only
1998-1999	ZZ	12	2.7	28100-23660-71	228000-3711		R	280-7051	Available in Reman Only
02-7FDF20									
1999-Up	ZZ	12	2.7	28100-23660-71	228000-3711		R	280-7051	Available in Reman Only

STARTER APPLICATIONS



YEAR	ENGINE	VOLTS	KW	OEM PART NUMBER	NEW PART NUMBER	SOLENOID ANGLE	TYPE	REMAN PART NUMBER	APPLICATION INFORMATION
TOYOTA (continued)									
02-7FDF25									
1999-Up	2Z	12	2.7	28100-23660-71	228000-3711		R	280-7051	Available in Reman Only
02-7FDF30									
1999-Up	2Z	12	2.7	28100-23660-71	228000-3711		R	280-7051	Available in Reman Only
02-7FDJ35									
1999-Up	2Z..ATM	12	2.7	28100-23660-71	228000-3711		R	280-7051	Available in Reman Only
1998-1999	2Z	12	2.7	28100-23660-71	228000-3711		R	280-7051	Available in Reman Only
02-7FDJF35									
1999-Up	2Z	12	2.7	28100-23660-71	228000-3711		R	280-7051	Available in Reman Only
02-7FDK20									
1998-2000	1DZ	12	2.7	28100-23660-71	228000-3711		R	280-7051	Available in Reman Only
2000-Up	1DZ (IN-LINE PUMP)	12	2.7	28100-23660-71	228000-3711		R	280-7051	Available in Reman Only
02-7FDK25									
1998-2000	1DZ	12	2.7	28100-23660-71	228000-3711		R	280-7051	Available in Reman Only
2000-Up	1DZ (IN-LINE PUMP)	12	2.7	28100-23660-71	228000-3711		R	280-7051	Available in Reman Only
02-7FDK30									
1998-2000	1DZ	12	2.7	28100-23660-71	228000-3711		R	280-7051	Available in Reman Only
2000-Up	1DZ (IN-LINE PUMP)	12	2.7	28100-23660-71	228000-3711		R	280-7051	Available in Reman Only
02-7FDN20									
2003-Up	2Z..ATM	12	2.7	28100-23660-71	228000-3711		R	280-7051	Available in Reman Only
02-7FDN25									
2003-Up	2Z..ATM	12	2.7	28100-23660-71	228000-3711		R	280-7051	Available in Reman Only
02-7FDN30									
2003-Up	2Z..ATM	12	2.7	28100-23660-71	228000-3711		R	280-7051	Available in Reman Only
42-2TD20									
1998-2000	2Z	12	2.7	28100-23660-71	228000-3711		R	280-7051	Available in Reman Only
42-2TD25									
1998-2000	2Z	12	2.7	28100-23660-71	228000-3711		R	280-7051	Available in Reman Only
4SDK10									
1997-up		12	2.7	28100-23660-71	228000-3711		R	280-7051	Available in Reman Only
60-6FD20									
1993-1998	1DZ	12	2.7	28100-23660-71	228000-3711		R	280-7051	Available in Reman Only
1993-1998	1DZ (OIL PAN HEATER)	12	2.7	28100-23660-71	228000-3711		R	280-7051	Available in Reman Only
60-6FD23									
1993-1998	1DZ	12	2.7	28100-23660-71	228000-3711		R	280-7051	Available in Reman Only
1993-1998	1DZ (OIL PAN HEATER)	12	2.7	28100-23660-71	228000-3711		R	280-7051	Available in Reman Only
60-6FD25									
1993-1998	1DZ	12	2.7	28100-23660-71	228000-3711		R	280-7051	Available in Reman Only
1993-1998	1DZ (OIL PAN HEATER)	12	2.7	28100-23660-71	228000-3711		R	280-7051	Available in Reman Only



YEAR	ENGINE	VOLTS	kW	OEM PART NUMBER	NEW PART NUMBER	SOLENOID ANGLE	TYPE	REMAN PART NUMBER	APPLICATION INFORMATION
TOYOTA (continued)									
60-6FD28									
1994-1998	1DZ	12	2.7	28100-23660-71	228000-3711		R	280-7051	Available in Reman Only
60-6FD30									
1994-1998	1DZ	12	2.7	28100-23660-71	228000-3711		R	280-7051	Available in Reman Only
60-7FD20									
1998-2000	1DZ	12	2.7	28100-23660-71	228000-3711		R	280-7051	Available in Reman Only
2000-Up	1DZ (IN-LINE PUMP)	12	2.7	28100-23660-71	228000-3711		R	280-7051	Available in Reman Only
60-7FD25									
1998-2000	1DZ	12	2.7	28100-23660-71	228000-3711		R	280-7051	Available in Reman Only
2000-Up	1DZ (IN-LINE PUMP)	12	2.7	28100-23660-71	228000-3711		R	280-7051	Available in Reman Only
60-7FD30									
1998-2000	1DZ	12	2.7	28100-23660-71	228000-3711		R	280-7051	Available in Reman Only
2000-Up	1DZ (IN-LINE PUMP)	12	2.7	28100-23660-71	228000-3711		R	280-7051	Available in Reman Only
62-6FD20									
1993-1998	1DZ	12	2.7	28100-23660-71	228000-3711		R	280-7051	Available in Reman Only
1993-1998	1DZ (OIL PAN HEATER)	12	2.7	28100-23660-71	228000-3711		R	280-7051	Available in Reman Only
62-6FD23									
1993-1998	1DZ	12	2.7	28100-23660-71	228000-3711		R	280-7051	Available in Reman Only
1993-1998	1DZ (OIL PAN HEATER)	12	2.7	28100-23660-71	228000-3711		R	280-7051	Available in Reman Only
62-6FD25									
1993-1998	1DZ	12	2.7	28100-23660-71	228000-3711		R	280-7051	Available in Reman Only
1993-1998	1DZ (OIL PAN HEATER)	12	2.7	28100-23660-71	228000-3711		R	280-7051	Available in Reman Only
62-6FD28									
1994-1998	1DZ	12	2.7	28100-23660-71	228000-3711		R	280-7051	Available in Reman Only
62-6FD30									
1994-1998	1DZ	12	2.7	28100-23660-71	228000-3711		R	280-7051	Available in Reman Only
62-7FD20									
1998-2000	1DZ	12	2.7	28100-23660-71	228000-3711		R	280-7051	Available in Reman Only
2000-Up	1DZ (IN-LINE PUMP)	12	2.7	28100-23660-71	228000-3711		R	280-7051	Available in Reman Only
62-7FD25									
1998-2000	1DZ	12	2.7	28100-23660-71	228000-3711		R	280-7051	Available in Reman Only
2000-Up	1DZ (IN-LINE PUMP)	12	2.7	28100-23660-71	228000-3711		R	280-7051	Available in Reman Only
62-7FD30									
1998-2000	1DZ	12	2.7	28100-23660-71	228000-3711		R	280-7051	Available in Reman Only
2000-Up	1DZ (IN-LINE PUMP)	12	2.7	28100-23660-71	228000-3711		R	280-7051	Available in Reman Only
6FD10									
1994-1998	1DZ	12	2.7	28100-23660-71	228000-3711		R	280-7051	Available in Reman Only

STARTER APPLICATIONS



YEAR	ENGINE	VOLTS	KW	OEM PART NUMBER	NEW PART NUMBER	SOLENOID ANGLE	TYPE	REMAN PART NUMBER	APPLICATION INFORMATION
TOYOTA (continued)									
6FD14									
1994-1998	1DZ	12	2.7	28100-23660-71	228000-3711		R	280-7051	Available in Reman Only
6FD15									
1994-1998	1DZ	12	2.7	28100-23660-71	228000-3711		R	280-7051	Available in Reman Only
6FD18									
1994-1998	1DZ	12	2.7	28100-23660-71	228000-3711		R	280-7051	Available in Reman Only
6FD20									
1993-1998	2Z [12V]	12	2.7	28100-23660-71	228000-3711		R	280-7051	Available in Reman Only
6FD23									
1993-1998	2Z [12V]	12	2.7	28100-23660-71	228000-3711		R	280-7051	Available in Reman Only
6FD25									
1993-1998	2Z [12V]	12	2.7	28100-23660-71	228000-3711		R	280-7051	Available in Reman Only
6FD28									
1994-1998	2Z [12V]	12	2.7	28100-23660-71	228000-3711		R	280-7051	Available in Reman Only
6FD30									
1994-1998	2Z [12V]	12	2.7	28100-23660-71	228000-3711		R	280-7051	Available in Reman Only
6FDN20									
1995-1999	2Z	12	2.7	28100-23660-71	228000-3711		R	280-7051	Available in Reman Only
6FDN25									
1995-1999	2Z	12	2.7	28100-23660-71	228000-3711		R	280-7051	Available in Reman Only
6FDN30									
1995-1999	2Z	12	2.7	28100-23660-71	228000-3711		R	280-7051	Available in Reman Only
7FD10									
1998-2000	1DZ	12	2.7	28100-23660-71	228000-3711		R	280-7051	Available in Reman Only
2000-Up	1DZ (IN-LINE PUMP)	12	2.7	28100-23660-71	228000-3711		R	280-7051	Available in Reman Only
7FD15									
1998-2000	1DZ	12	2.7	28100-23660-71	228000-3711		R	280-7051	Available in Reman Only
2000-Up	1DZ (IN-LINE PUMP)	12	2.7	28100-23660-71	228000-3711		R	280-7051	Available in Reman Only
7FD20									
1998-1999	2Z	12	2.7	28100-23660-71	228000-3711		R	280-7051	Available in Reman Only
7FD25									
1998-1999	2Z	12	2.7	28100-23660-71	228000-3711		R	280-7051	Available in Reman Only
7FD30									
1998-1999	2Z	12	2.7	28100-23660-71	228000-3711		R	280-7051	Available in Reman Only
7FDJ35									
1998-1999	2Z	12	2.7	28100-23660-71	228000-3711		R	280-7051	Available in Reman Only
7FDK20									
1998-2000	1DZ	12	2.7	28100-23660-71	228000-3711		R	280-7051	Available in Reman Only
2000-Up	1DZ (IN-LINE PUMP)	12	2.7	28100-23660-71	228000-3711		R	280-7051	Available in Reman Only
7FDK25									
1998-2000	1DZ	12	2.7	28100-23660-71	228000-3711		R	280-7051	Available in Reman Only



YEAR	ENGINE	VOLTS	kW	OEM PART NUMBER	NEW PART NUMBER	SOLENOID ANGLE	TYPE	REMAN PART NUMBER	APPLICATION INFORMATION
TOYOTA (continued)									
7FDK25 (continued)									
2000-Up	1DZ (IN-LINE PUMP)	12	2.7	28100-23660-71	228000-3711		R	280-7051	Available in Reman Only
7FDK30									
1998-2000	1DZ	12	2.7	28100-23660-71	228000-3711		R	280-7051	Available in Reman Only
2000-Up	1DZ (IN-LINE PUMP)	12	2.7	28100-23660-71	228000-3711		R	280-7051	Available in Reman Only
SDK10									
1997-up		12	2.7	28100-23660-71	228000-3711		R	280-7051	Available in Reman Only
60-6FD20									
1993-1998	1DZ..MTM	12	2.7	28300-23660-71	228000-3721		R	280-7061	Available in Reman Only
60-6FD23									
1993-1998	1DZ..MTM	12	2.7	28300-23660-71	228000-3721		R	280-7061	Available in Reman Only
60-6FD25									
1993-1998	1DZ..MTM	12	2.7	28300-23660-71	228000-3721		R	280-7061	Available in Reman Only
60-6FD28									
1994-1998	1DZ..MTM	12	2.7	28300-23660-71	228000-3721		R	280-7061	Available in Reman Only
60-6FD30									
1994-1998	1DZ..MTM	12	2.7	28300-23660-71	228000-3721		R	280-7061	Available in Reman Only
60-7FD20									
1998-2000	1DZ..MTM (OIL CLUTCH)	12	2.7	28300-23660-71	228000-3721		R	280-7061	Available in Reman Only
2001-Up	1DZ..MTM (OIL CLUTCH)	12	2.7	28300-23660-71	228000-3721		R	280-7061	Available in Reman Only
60-7FD25									
1998-2000	1DZ..MTM (OIL CLUTCH)	12	2.7	28300-23660-71	228000-3721		R	280-7061	Available in Reman Only
2001-Up	1DZ..MTM (OIL CLUTCH)	12	2.7	28300-23660-71	228000-3721		R	280-7061	Available in Reman Only
2000-Up	1DZ..MTM (OIL CLUTCH..IN-LINE PUMP)	12	2.7	28300-23660-71	228000-3721		R	280-7061	Available in Reman Only
60-7FD30									
1998-2000	1DZ..MTM (OIL CLUTCH)	12	2.7	28300-23660-71	228000-3721		R	280-7061	Available in Reman Only
2001-Up	1DZ..MTM (OIL CLUTCH)	12	2.7	28300-23660-71	228000-3721		R	280-7061	Available in Reman Only
2000-Up	1DZ..MTM (OIL CLUTCH..IN-LINE PUMP)	12	2.7	28300-23660-71	228000-3721		R	280-7061	Available in Reman Only
6FD10									
1994-1998	1DZ..MTM	12	2.7	28300-23660-71	228000-3721		R	280-7061	Available in Reman Only
6FD14									
1994-1998	1DZ..MTM	12	2.7	28300-23660-71	228000-3721		R	280-7061	Available in Reman Only
6FD15									
1994-1998	1DZ..MTM	12	2.7	28300-23660-71	228000-3721		R	280-7061	Available in Reman Only

STARTER APPLICATIONS



YEAR	ENGINE	VOLTS	KW	OEM PART NUMBER	NEW PART NUMBER	SOLENOID ANGLE	TYPE	REMAN PART NUMBER	APPLICATION INFORMATION
TOYOTA (continued)									
6FD18									
1994-1998	1DZ..MTM	12	2.7	28300-23660-71	228000-3721		R	280-7061	Available in Reman Only
6FD20									
1993-1998	2Z..MTM (OIL CLUTCH) [12V]	12	2.7	28300-23660-71	228000-3721		R	280-7061	Available in Reman Only
6FD23									
1993-1998	2Z..MTM (OIL CLUTCH) [12V]	12	2.7	28300-23660-71	228000-3721		R	280-7061	Available in Reman Only
6FD25									
1993-1998	2Z..MTM (OIL CLUTCH) [12V]	12	2.7	28300-23660-71	228000-3721		R	280-7061	Available in Reman Only
6FD28									
1994-1998	2Z..MTM (OIL CLUTCH) [12V]	12	2.7	28300-23660-71	228000-3721		R	280-7061	Available in Reman Only
6FD30									
1994-1998	2Z..MTM (OIL CLUTCH) [12V]	12	2.7	28300-23660-71	228000-3721		R	280-7061	Available in Reman Only
7FD10									
1998-2000	1DZ..MTM (OIL CLUTCH)	12	2.7	28300-23660-71	228000-3721		R	280-7061	Available in Reman Only
2001-Up	1DZ..MTM (OIL CLUTCH)	12	2.7	28300-23660-71	228000-3721		R	280-7061	Available in Reman Only
2000-Up	1DZ..MTM (OIL CLUTCH..IN-LINE PUMP)	12	2.7	28300-23660-71	228000-3721		R	280-7061	Available in Reman Only
7FD15									
1998-2000	1DZ..MTM (OIL CLUTCH)	12	2.7	28300-23660-71	228000-3721		R	280-7061	Available in Reman Only
2001-Up	1DZ..MTM (OIL CLUTCH)	12	2.7	28300-23660-71	228000-3721		R	280-7061	Available in Reman Only
2000-Up	1DZ..MTM (OIL CLUTCH..IN-LINE PUMP)	12	2.7	28300-23660-71	228000-3721		R	280-7061	Available in Reman Only
7FD20									
1998-Up	2Z..MTM (OIL CLUTCH)	12	2.7	28300-23660-71	228000-3721		R	280-7061	Available in Reman Only
7FD25									
1998-Up	2Z..MTM (OIL CLUTCH)	12	2.7	28300-23660-71	228000-3721		R	280-7061	Available in Reman Only
7FD30									
1998-Up	2Z..MTM (OIL CLUTCH)	12	2.7	28300-23660-71	228000-3721		R	280-7061	Available in Reman Only
7FDAU50									
2001-Up	13Z (SEALED STARTER)	12	2.7	28300-23660-71	228000-3721		R	280-7061	Available in Reman Only
7FDJ35									
1998-Up	2Z..MTM (OIL CLUTCH)	12	2.7	28300-23660-71	228000-3721		R	280-7061	Available in Reman Only

STARTER APPLICATIONS



YEAR	ENGINE	VOLTS	kW	OEM PART NUMBER	NEW PART NUMBER	SOLENOID ANGLE	TYPE	REMAN PART NUMBER	APPLICATION INFORMATION
TOYOTA (continued)									
7FDK20									
1998-2000	1DZ..MTM (OIL CLUTCH)	12	2.7	28300-23660-71	228000-3721		R	280-7061	Available in Reman Only
2001-Up	1DZ..MTM (OIL CLUTCH)	12	2.7	28300-23660-71	228000-3721		R	280-7061	Available in Reman Only
2000-Up	1DZ..MTM (OIL CLUTCH..IN-LINE PUMP)	12	2.7	28300-23660-71	228000-3721		R	280-7061	Available in Reman Only
7FDK25									
1998-2000	1DZ..MTM (OIL CLUTCH)	12	2.7	28300-23660-71	228000-3721		R	280-7061	Available in Reman Only
2001-Up	1DZ..MTM (OIL CLUTCH)	12	2.7	28300-23660-71	228000-3721		R	280-7061	Available in Reman Only
2000-Up	1DZ..MTM (OIL CLUTCH..IN-LINE PUMP)	12	2.7	28300-23660-71	228000-3721		R	280-7061	Available in Reman Only
7FDK30									
1998-2000	1DZ..MTM (OIL CLUTCH)	12	2.7	28300-23660-71	228000-3721		R	280-7061	Available in Reman Only
2001-Up	1DZ..MTM (OIL CLUTCH)	12	2.7	28300-23660-71	228000-3721		R	280-7061	Available in Reman Only
2000-Up	1DZ..MTM (OIL CLUTCH..IN-LINE PUMP)	12	2.7	28300-23660-71	228000-3721		R	280-7061	Available in Reman Only
7FDKU40									
2001-Up	13Z (SEALED STARTER)	12	2.7	28300-23660-71	228000-3721		R	280-7061	Available in Reman Only
7FDU15									
2001-Up	1DZ (UL-DS)	12	2.7	28300-23660-71	228000-3721		R	280-7061	Available in Reman Only
7FDU18									
2001-Up	1DZ (UL-DS)	12	2.7	28300-23660-71	228000-3721		R	280-7061	Available in Reman Only
7FDU20									
2001-Up	1DZ (UL-DS)	12	2.7	28300-23660-71	228000-3721		R	280-7061	Available in Reman Only
7FDU25									
2001-Up	1DZ (UL-DS)	12	2.7	28300-23660-71	228000-3721		R	280-7061	Available in Reman Only
7FDU30									
2001-Up	1DZ (UL-DS)	12	2.7	28300-23660-71	228000-3721		R	280-7061	Available in Reman Only
7FDU32									
2001-Up	1DZ (UL-DS)	12	2.7	28300-23660-71	228000-3721		R	280-7061	Available in Reman Only
7FDU35									
2001-Up	13Z (SEALED STARTER)	12	2.7	28300-23660-71	228000-3721		R	280-7061	Available in Reman Only
7FDU45									
2001-Up	13Z (SEALED STARTER)	12	2.7	28300-23660-71	228000-3721		R	280-7061	Available in Reman Only
7FDU60									
2001-Up	13Z (SEALED STARTER)	12	2.7	28300-23660-71	228000-3721		R	280-7061	Available in Reman Only

STARTER APPLICATIONS



YEAR	ENGINE	VOLTS	KW	OEM PART NUMBER	NEW PART NUMBER	SOLENOID ANGLE	TYPE	REMAN PART NUMBER	APPLICATION INFORMATION
TOYOTA (continued)									
7FDU70									
2001-Up	13Z (SEALED STARTER)	12	2.7	28300-23660-71	228000-3721		R	280-7061	Available in Reman Only
7FDU80									
2001-Up	13Z (SEALED STARTER)	12	2.7	28300-23660-71	228000-3721		R	280-7061	Available in Reman Only
02-5FG33									
1994-1996	1FZ...ATM	12	1.4	28100-32850-71	228000-3931		RA	280-7015	Available in Reman Only
02-5FG35									
1994-1996	1FZ...ATM	12	1.4	28100-32850-71	228000-3931		RA	280-7015	Available in Reman Only
02-5FG40									
1994-1996	1FZ...ATM	12	1.4	28100-32850-71	228000-3931		RA	280-7015	Available in Reman Only
02-5FG45									
1994-1996	1FZ...ATM	12	1.4	28100-32850-71	228000-3931		RA	280-7015	Available in Reman Only
02-5FGE35									
1994-1996	1FZ...ATM	12	1.4	28100-32850-71	228000-3931		RA	280-7015	Available in Reman Only
02-5FGU35									
1996-1997	1FZ	12	1.4	28100-32850-71	228000-3931		RA	280-7015	Available in Reman Only
02-5FGU40									
1996-1997	1FZ	12	1.4	28100-32850-71	228000-3931		RA	280-7015	Available in Reman Only
02-5FGU45									
1996-1997	1FZ	12	1.4	28100-32850-71	228000-3931		RA	280-7015	Available in Reman Only
02-7FG35									
2002-Up	1FZ...ATM	12	1.4	28100-32850-71	228000-3931		RA	280-7015	Available in Reman Only
02-7FG40									
2002-Up	1FZ...ATM	12	1.4	28100-32850-71	228000-3931		RA	280-7015	Available in Reman Only
02-7FG45									
2002-Up	1FZ...ATM	12	1.4	28100-32850-71	228000-3931		RA	280-7015	Available in Reman Only
02-7FGA50									
2002-Up	1FZ...ATM	12	1.4	28100-32850-71	228000-3931		RA	280-7015	Available in Reman Only
02-7FGK40									
2002-Up	1FZ...ATM	12	1.4	28100-32850-71	228000-3931		RA	280-7015	Available in Reman Only
02-5FG10									
1989-1994	4Y, 5K (OIL CLUTCH)	12	1.4	28300-22003-71	228000-4371		RA	280-7013	Available in Reman Only
1988-1989	4P, 4Y (OIL CLUTCH)	12	1.4	28300-22003-71	228000-4371		RA	280-7013	Available in Reman Only
1988-1989	4P, 4Y (UL-GS, UL-LPS)	12	1.4	28300-22003-71	228000-4371		RA	280-7013	Available in Reman Only
02-5FG14									
1989-1994	4Y, 5K (OIL CLUTCH)	12	1.4	28300-22003-71	228000-4371		RA	280-7013	Available in Reman Only
1988-1989	4P, 4Y (OIL CLUTCH)	12	1.4	28300-22003-71	228000-4371		RA	280-7013	Available in Reman Only



YEAR	ENGINE	VOLTS	kW	OEM PART NUMBER	NEW PART NUMBER	SOLENOID ANGLE	TYPE	REMAN PART NUMBER	APPLICATION INFORMATION
TOYOTA (continued)									
02-5FG14 (continued)									
1988-1989	4P, 4Y (UL-GS, UL-LPS)	12	1.4	28300-22003-71	228000-4371		RA	280-7013	Available in Reman Only
02-5FG15									
1989-1994	4Y, 5K (OIL CLUTCH)	12	1.4	28300-22003-71	228000-4371		RA	280-7013	Available in Reman Only
1988-1989	4P, 4Y (OIL CLUTCH)	12	1.4	28300-22003-71	228000-4371		RA	280-7013	Available in Reman Only
1988-1989	4P, 4Y (UL-GS, UL-LPS)	12	1.4	28300-22003-71	228000-4371		RA	280-7013	Available in Reman Only
02-5FG18									
1989-1994	4Y, 5K (OIL CLUTCH)	12	1.4	28300-22003-71	228000-4371		RA	280-7013	Available in Reman Only
1988-1989	4P, 4Y (OIL CLUTCH)	12	1.4	28300-22003-71	228000-4371		RA	280-7013	Available in Reman Only
1988-1989	4P, 4Y (UL-GS, UL-LPS)	12	1.4	28300-22003-71	228000-4371		RA	280-7013	Available in Reman Only
02-5FG20									
1989-1994	4Y, 5K (OIL CLUTCH)	12	1.4	28300-22003-71	228000-4371		RA	280-7013	Available in Reman Only
1989-1994	4Y, 5K (UL-GS, UL-LPS)	12	1.4	28300-22003-71	228000-4371		RA	280-7013	Available in Reman Only
1988-1989	4P, 4Y (OIL CLUTCH)	12	1.4	28300-22003-71	228000-4371		RA	280-7013	Available in Reman Only
1988-1989	4P, 4Y (UL-GS, UL-LPS)	12	1.4	28300-22003-71	228000-4371		RA	280-7013	Available in Reman Only
02-5FG23									
1989-1994	4Y, 5K (OIL CLUTCH)	12	1.4	28300-22003-71	228000-4371		RA	280-7013	Available in Reman Only
1989-1994	4Y, 5K (UL-GS, UL-LPS)	12	1.4	28300-22003-71	228000-4371		RA	280-7013	Available in Reman Only
1988-1989	4P, 4Y (OIL CLUTCH)	12	1.4	28300-22003-71	228000-4371		RA	280-7013	Available in Reman Only
1988-1989	4P, 4Y (UL-GS, UL-LPS)	12	1.4	28300-22003-71	228000-4371		RA	280-7013	Available in Reman Only
02-5FG25									
1989-1994	4Y, 5K (OIL CLUTCH)	12	1.4	28300-22003-71	228000-4371		RA	280-7013	Available in Reman Only
1989-1994	4Y, 5K (UL-GS, UL-LPS)	12	1.4	28300-22003-71	228000-4371		RA	280-7013	Available in Reman Only
1988-1989	4P, 4Y (OIL CLUTCH)	12	1.4	28300-22003-71	228000-4371		RA	280-7013	Available in Reman Only
1988-1989	4P, 4Y (UL-GS, UL-LPS)	12	1.4	28300-22003-71	228000-4371		RA	280-7013	Available in Reman Only
02-5FG28									
1988-1994	4Y (OIL CLUTCH)	12	1.4	28300-22003-71	228000-4371		RA	280-7013	Available in Reman Only
1988-1994	4Y (UL-GS, UL-LPS)	12	1.4	28300-22003-71	228000-4371		RA	280-7013	Available in Reman Only

STARTER APPLICATIONS



YEAR	ENGINE	VOLTS	KW	OEM PART NUMBER	NEW PART NUMBER	SOLENOID ANGLE	TYPE	REMAN PART NUMBER	APPLICATION INFORMATION
TOYOTA (continued)									
02-5FG30									
1988-1994	4Y (OIL CLUTCH)	12	1.4	28300-22003-71	228000-4371		RA	280-7013	Available in Reman Only
1988-1994	4Y (UL-GS, UL-LPS)	12	1.4	28300-22003-71	228000-4371		RA	280-7013	Available in Reman Only
02-5FGU30									
1991-1995	4Y (UL-GS, UL-LPS)	12	1.4	28300-22003-71	228000-4371		RA	280-7013	Available in Reman Only
02-7FG35									
1998-2002	G4	12	1.4	28300-22003-71	228000-4371		RA	280-7013	Available in Reman Only
02-7FG40									
1998-2002	G4	12	1.4	28300-22003-71	228000-4371		RA	280-7013	Available in Reman Only
02-7FG45									
1998-2002	G4	12	1.4	28300-22003-71	228000-4371		RA	280-7013	Available in Reman Only
02-7FGA50									
1998-2002	G4	12	1.4	28300-22003-71	228000-4371		RA	280-7013	Available in Reman Only
02-7FGK40									
1998-2002	G4	12	1.4	28300-22003-71	228000-4371		RA	280-7013	Available in Reman Only
04-5FG20									
1989-1994	4Y, 5K (OIL CLUTCH)	12	1.4	28300-22003-71	228000-4371		RA	280-7013	Available in Reman Only
1989-1994	4Y, 5K (UL-GS, UL-LPS)	12	1.4	28300-22003-71	228000-4371		RA	280-7013	Available in Reman Only
1988-1989	4P, 4Y (OIL CLUTCH)	12	1.4	28300-22003-71	228000-4371		RA	280-7013	Available in Reman Only
1988-1989	4P, 4Y (UL-GS, UL-LPS)	12	1.4	28300-22003-71	228000-4371		RA	280-7013	Available in Reman Only
04-5FG23									
1989-1994	4Y, 5K (OIL CLUTCH)	12	1.4	28300-22003-71	228000-4371		RA	280-7013	Available in Reman Only
1989-1994	4Y, 5K (UL-GS, UL-LPS)	12	1.4	28300-22003-71	228000-4371		RA	280-7013	Available in Reman Only
1988-1989	4P, 4Y (OIL CLUTCH)	12	1.4	28300-22003-71	228000-4371		RA	280-7013	Available in Reman Only
1988-1989	4P, 4Y (UL-GS, UL-LPS)	12	1.4	28300-22003-71	228000-4371		RA	280-7013	Available in Reman Only
04-5FG25									
1989-1994	4Y, 5K (OIL CLUTCH)	12	1.4	28300-22003-71	228000-4371		RA	280-7013	Available in Reman Only
1989-1994	4Y, 5K (UL-GS, UL-LPS)	12	1.4	28300-22003-71	228000-4371		RA	280-7013	Available in Reman Only
1988-1989	4P, 4Y (OIL CLUTCH)	12	1.4	28300-22003-71	228000-4371		RA	280-7013	Available in Reman Only
1988-1989	4P, 4Y (UL-GS, UL-LPS)	12	1.4	28300-22003-71	228000-4371		RA	280-7013	Available in Reman Only
04-5FG28									
1988-1994	4Y (OIL CLUTCH)	12	1.4	28300-22003-71	228000-4371		RA	280-7013	Available in Reman Only



YEAR	ENGINE	VOLTS	kW	OEM PART NUMBER	NEW PART NUMBER	SOLENOID ANGLE	TYPE	REMAN PART NUMBER	APPLICATION INFORMATION
TOYOTA (continued)									
04-5FG28 (continued)									
1988-1994	4Y (UL-GS, UL-LPS)	12	1.4	28300-22003-71	228000-4371		RA	280-7013	Available in Reman Only
04-5FG30									
1988-1994	4Y (OIL CLUTCH)	12	1.4	28300-22003-71	228000-4371		RA	280-7013	Available in Reman Only
1988-1994	4Y (UL-GS, UL-LPS)	12	1.4	28300-22003-71	228000-4371		RA	280-7013	Available in Reman Only
30-5FGC10									
1988-1993	4P (SEALED STARTER)	12	1.4	28300-22003-71	228000-4371		RA	280-7013	Available in Reman Only
1988-1993	4P (UL-GS, UL-LPS)	12	1.4	28300-22003-71	228000-4371		RA	280-7013	Available in Reman Only
30-5FGC13									
1988-1993	4P (SEALED STARTER)	12	1.4	28300-22003-71	228000-4371		RA	280-7013	Available in Reman Only
1988-1993	4P (UL-GS, UL-LPS)	12	1.4	28300-22003-71	228000-4371		RA	280-7013	Available in Reman Only
30-5FGC15									
1988-1993	4P (SEALED STARTER)	12	1.4	28300-22003-71	228000-4371		RA	280-7013	Available in Reman Only
1988-1993	4P (UL-GS, UL-LPS)	12	1.4	28300-22003-71	228000-4371		RA	280-7013	Available in Reman Only
40-5FG10									
1989-1994	4Y (UL-GS, UL-LPS)	12	1.4	28300-22003-71	228000-4371		RA	280-7013	Available in Reman Only
1989-1994	4Y, 5K (OIL CLUTCH)	12	1.4	28300-22003-71	228000-4371		RA	280-7013	Available in Reman Only
1988-1989	4P, 4Y (OIL CLUTCH)	12	1.4	28300-22003-71	228000-4371		RA	280-7013	Available in Reman Only
1988-1989	4P, 4Y (UL-GS, UL-LPS)	12	1.4	28300-22003-71	228000-4371		RA	280-7013	Available in Reman Only
40-5FG14									
1989-1994	4Y (UL-GS, UL-LPS)	12	1.4	28300-22003-71	228000-4371		RA	280-7013	Available in Reman Only
1989-1994	4Y, 5K (OIL CLUTCH)	12	1.4	28300-22003-71	228000-4371		RA	280-7013	Available in Reman Only
1988-1989	4P, 4Y (OIL CLUTCH)	12	1.4	28300-22003-71	228000-4371		RA	280-7013	Available in Reman Only
1988-1989	4P, 4Y (UL-GS, UL-LPS)	12	1.4	28300-22003-71	228000-4371		RA	280-7013	Available in Reman Only
40-5FG15									
1989-1994	4Y (UL-GS, UL-LPS)	12	1.4	28300-22003-71	228000-4371		RA	280-7013	Available in Reman Only
1989-1994	4Y, 5K (OIL CLUTCH)	12	1.4	28300-22003-71	228000-4371		RA	280-7013	Available in Reman Only
1988-1989	4P, 4Y (OIL CLUTCH)	12	1.4	28300-22003-71	228000-4371		RA	280-7013	Available in Reman Only

STARTER APPLICATIONS



YEAR	ENGINE	VOLTS	KW	OEM PART NUMBER	NEW PART NUMBER	SOLENOID ANGLE	TYPE	REMAN PART NUMBER	APPLICATION INFORMATION
TOYOTA (continued)									
40-5FG15 (continued)									
1988-1989	4P, 4Y (UL-GS, UL-LPS)	12	1.4	28300-22003-71	228000-4371		RA	280-7013	Available in Reman Only
40-5FG18									
1989-1994	4Y (UL-GS, UL-LPS)	12	1.4	28300-22003-71	228000-4371		RA	280-7013	Available in Reman Only
1989-1994	4Y, 5K (OIL CLUTCH)	12	1.4	28300-22003-71	228000-4371		RA	280-7013	Available in Reman Only
1988-1989	4P, 4Y (OIL CLUTCH)	12	1.4	28300-22003-71	228000-4371		RA	280-7013	Available in Reman Only
1988-1989	4P, 4Y (UL-GS, UL-LPS)	12	1.4	28300-22003-71	228000-4371		RA	280-7013	Available in Reman Only
40-5FG20									
1989-1994	4Y, 5K (OIL CLUTCH)	12	1.4	28300-22003-71	228000-4371		RA	280-7013	Available in Reman Only
1989-1994	4Y, 5K (UL-GS, UL-LPS)	12	1.4	28300-22003-71	228000-4371		RA	280-7013	Available in Reman Only
1988-1989	4P, 4Y (OIL CLUTCH)	12	1.4	28300-22003-71	228000-4371		RA	280-7013	Available in Reman Only
1988-1989	4P, 4Y (UL-GS, UL-LPS)	12	1.4	28300-22003-71	228000-4371		RA	280-7013	Available in Reman Only
40-5FG23									
1989-1994	4Y, 5K (OIL CLUTCH)	12	1.4	28300-22003-71	228000-4371		RA	280-7013	Available in Reman Only
1989-1994	4Y, 5K (UL-GS, UL-LPS)	12	1.4	28300-22003-71	228000-4371		RA	280-7013	Available in Reman Only
1988-1989	4P, 4Y (OIL CLUTCH)	12	1.4	28300-22003-71	228000-4371		RA	280-7013	Available in Reman Only
1988-1989	4P, 4Y (UL-GS, UL-LPS)	12	1.4	28300-22003-71	228000-4371		RA	280-7013	Available in Reman Only
40-5FG25									
1989-1994	4Y, 5K (OIL CLUTCH)	12	1.4	28300-22003-71	228000-4371		RA	280-7013	Available in Reman Only
1989-1994	4Y, 5K (UL-GS, UL-LPS)	12	1.4	28300-22003-71	228000-4371		RA	280-7013	Available in Reman Only
1988-1989	4P, 4Y (OIL CLUTCH)	12	1.4	28300-22003-71	228000-4371		RA	280-7013	Available in Reman Only
1988-1989	4P, 4Y (UL-GS, UL-LPS)	12	1.4	28300-22003-71	228000-4371		RA	280-7013	Available in Reman Only
40-6FG10									
1994-1998	4Y..MTM (OIL CLUTCH)	12	1.4	28300-22003-71	228000-4371		RA	280-7013	Available in Reman Only
40-6FG14									
1994-1998	4Y..MTM (OIL CLUTCH)	12	1.4	28300-22003-71	228000-4371		RA	280-7013	Available in Reman Only



YEAR	ENGINE	VOLTS	kW	OEM PART NUMBER	NEW PART NUMBER	SOLENOID ANGLE	TYPE	REMAN PART NUMBER	APPLICATION INFORMATION
TOYOTA (continued)									
40-6FG15									
1994-1998	4Y..MTM (OIL CLUTCH)	12	1.4	28300-22003-71	228000-4371		RA	280-7013	Available in Reman Only
40-6FG18									
1994-1998	4Y..MTM (OIL CLUTCH)	12	1.4	28300-22003-71	228000-4371		RA	280-7013	Available in Reman Only
40-6FG20									
1993-1998	4Y, 5K..MTM (OIL CLUTCH)	12	1.4	28300-22003-71	228000-4371		RA	280-7013	Available in Reman Only
40-6FG23									
1993-1998	4Y, 5K..MTM (OIL CLUTCH)	12	1.4	28300-22003-71	228000-4371		RA	280-7013	Available in Reman Only
40-6FG25									
1993-1998	4Y, 5K..MTM (OIL CLUTCH)	12	1.4	28300-22003-71	228000-4371		RA	280-7013	Available in Reman Only
40-7FG15									
1998-Up	4Y, 5K..MTM (OIL CLUTCH)	12	1.4	28300-22003-71	228000-4371		RA	280-7013	Available in Reman Only
40-7FG20									
1998-Up	4Y, 5K..MTM (OIL CLUTCH)	12	1.4	28300-22003-71	228000-4371		RA	280-7013	Available in Reman Only
40-7FG23									
1998-Up	4Y, 5K..MTM (OIL CLUTCH)	12	1.4	28300-22003-71	228000-4371		RA	280-7013	Available in Reman Only
40-7FG25									
1998-Up	4Y, 5K..MTM (OIL CLUTCH)	12	1.4	28300-22003-71	228000-4371		RA	280-7013	Available in Reman Only
40-7FGK20									
1998-Up	4Y, 5K..MTM (OIL CLUTCH)	12	1.4	28300-22003-71	228000-4371		RA	280-7013	Available in Reman Only
40-7FGK25									
1998-Up	4Y, 5K..MTM (OIL CLUTCH)	12	1.4	28300-22003-71	228000-4371		RA	280-7013	Available in Reman Only
42-5FG10									
1989-1994	4Y (UL-GS, UL-LPS)	12	1.4	28300-22003-71	228000-4371		RA	280-7013	Available in Reman Only
1989-1994	4Y, 5K (OIL CLUTCH)	12	1.4	28300-22003-71	228000-4371		RA	280-7013	Available in Reman Only
1988-1989	4P, 4Y (OIL CLUTCH)	12	1.4	28300-22003-71	228000-4371		RA	280-7013	Available in Reman Only
1988-1989	4P, 4Y (UL-GS, UL-LPS)	12	1.4	28300-22003-71	228000-4371		RA	280-7013	Available in Reman Only
42-5FG14									
1989-1994	4Y (UL-GS, UL-LPS)	12	1.4	28300-22003-71	228000-4371		RA	280-7013	Available in Reman Only

STARTER APPLICATIONS



YEAR	ENGINE	VOLTS	KW	OEM PART NUMBER	NEW PART NUMBER	SOLENOID ANGLE	TYPE	REMAN PART NUMBER	APPLICATION INFORMATION
TOYOTA (continued)									
42-5FG14 (continued)									
1989-1994	4Y, 5K (OIL CLUTCH)	12	1.4	28300-22003-71	228000-4371		RA	280-7013	Available in Reman Only
1988-1989	4P, 4Y (OIL CLUTCH)	12	1.4	28300-22003-71	228000-4371		RA	280-7013	Available in Reman Only
1988-1989	4P, 4Y (UL-GS, UL-LPS)	12	1.4	28300-22003-71	228000-4371		RA	280-7013	Available in Reman Only
42-5FG15									
1989-1994	4Y (UL-GS, UL-LPS)	12	1.4	28300-22003-71	228000-4371		RA	280-7013	Available in Reman Only
1989-1994	4Y, 5K (OIL CLUTCH)	12	1.4	28300-22003-71	228000-4371		RA	280-7013	Available in Reman Only
1988-1989	4P, 4Y (OIL CLUTCH)	12	1.4	28300-22003-71	228000-4371		RA	280-7013	Available in Reman Only
1988-1989	4P, 4Y (UL-GS, UL-LPS)	12	1.4	28300-22003-71	228000-4371		RA	280-7013	Available in Reman Only
42-5FG18									
1989-1994	4Y (UL-GS, UL-LPS)	12	1.4	28300-22003-71	228000-4371		RA	280-7013	Available in Reman Only
1989-1994	4Y, 5K (OIL CLUTCH)	12	1.4	28300-22003-71	228000-4371		RA	280-7013	Available in Reman Only
1988-1989	4P, 4Y (OIL CLUTCH)	12	1.4	28300-22003-71	228000-4371		RA	280-7013	Available in Reman Only
1988-1989	4P, 4Y (UL-GS, UL-LPS)	12	1.4	28300-22003-71	228000-4371		RA	280-7013	Available in Reman Only
42-5FG20									
1989-1994	4Y, 5K (OIL CLUTCH)	12	1.4	28300-22003-71	228000-4371		RA	280-7013	Available in Reman Only
1989-1994	4Y, 5K (UL-GS, UL-LPS)	12	1.4	28300-22003-71	228000-4371		RA	280-7013	Available in Reman Only
1988-1989	4P, 4Y (OIL CLUTCH)	12	1.4	28300-22003-71	228000-4371		RA	280-7013	Available in Reman Only
1988-1989	4P, 4Y (UL-GS, UL-LPS)	12	1.4	28300-22003-71	228000-4371		RA	280-7013	Available in Reman Only
42-5FG23									
1989-1994	4Y, 5K (OIL CLUTCH)	12	1.4	28300-203-Up71	228000-4371		RA	280-7013	Available in Reman Only
1989-1994	4Y, 5K (UL-GS, UL-LPS)	12	1.4	28300-203-Up71	228000-4371		RA	280-7013	Available in Reman Only
1988-1989	4P, 4Y (OIL CLUTCH)	12	1.4	28300-203-Up71	228000-4371		RA	280-7013	Available in Reman Only
1988-1989	4P, 4Y (UL-GS, UL-LPS)	12	1.4	28300-203-Up71	228000-4371		RA	280-7013	Available in Reman Only
42-5FG25									
1989-1994	4Y, 5K (OIL CLUTCH)	12	1.4	28300-22003-71	228000-4371		RA	280-7013	Available in Reman Only
1989-1994	4Y, 5K (UL-GS, UL-LPS)	12	1.4	28300-22003-71	228000-4371		RA	280-7013	Available in Reman Only



YEAR	ENGINE	VOLTS	kW	OEM PART NUMBER	NEW PART NUMBER	SOLENOID ANGLE	TYPE	REMAN PART NUMBER	APPLICATION INFORMATION
TOYOTA (continued)									
42-5FG25 (continued)									
1988-1989	4P, 4Y (OIL CLUTCH)	12	1.4	28300-22003-71	228000-4371		RA	280-7013	Available in Reman Only
1988-1989	4P, 4Y (UL-GS, UL-LPS)	12	1.4	28300-22003-71	228000-4371		RA	280-7013	Available in Reman Only
42-5FGU10									
1991-1995	4Y (UL-GS, UL-LPS)	12	1.4	28300-22003-71	228000-4371		RA	280-7013	Available in Reman Only
42-5FGU15									
1991-1995	4Y (UL-GS, UL-LPS)	12	1.4	28300-22003-71	228000-4371		RA	280-7013	Available in Reman Only
42-5FGU18									
1991-1995	4Y (UL-GS, UL-LPS)	12	1.4	28300-22003-71	228000-4371		RA	280-7013	Available in Reman Only
42-5FGU20									
1991-1995	4Y (UL-GS, UL-LPS)	12	1.4	28300-22003-71	228000-4371		RA	280-7013	Available in Reman Only
42-5FGU25									
1991-1995	4Y (UL-GS, UL-LPS)	12	1.4	28300-22003-71	228000-4371		RA	280-7013	Available in Reman Only
42-6FGCU15									
1999-2000	4Y (UL-GS, UL-LPS)	12	1.4	28300-22003-71	228000-4371		RA	280-7013	From 10/99. Available in Reman Only
42-6FGCU18									
1999-2000	4Y (UL-GS, UL-LPS)	12	1.4	28300-22003-71	228000-4371		RA	280-7013	From 10/99. Available in Reman Only
52-6FG33									
1996-1999	GM6-262	12	1.4	28300-22003-71	228000-4371		RA	280-7013	Available in Reman Only
52-6FG35									
1996-1999	GM6-262	12	1.4	28300-22003-71	228000-4371		RA	280-7013	Available in Reman Only
52-6FG40									
1996-1999	GM6-262	12	1.4	28300-22003-71	228000-4371		RA	280-7013	Available in Reman Only
52-6FG45									
1996-1999	GM6-262	12	1.4	28300-22003-71	228000-4371		RA	280-7013	Available in Reman Only
52-6FGA50									
1996-1999	GM6-262	12	1.4	28300-22003-71	228000-4371		RA	280-7013	Available in Reman Only
52-6FGAU50									
1999-2000	GM6-262	12	1.4	28300-22003-71	228000-4371		RA	280-7013	From 10/99. Available in Reman Only
52-6FGCU33									
1999-2000	GM-6262	12	1.4	28300-22003-71	228000-4371		RA	280-7013	From 10/99. Available in Reman Only
52-6FGCU35									
1999-2000	GM-6262	12	1.4	28300-22003-71	228000-4371		RA	280-7013	From 10/99. Available in Reman Only

STARTER APPLICATIONS



YEAR	ENGINE	VOLTS	KW	OEM PART NUMBER	NEW PART NUMBER	SOLENOID ANGLE	TYPE	REMAN PART NUMBER	APPLICATION INFORMATION
TOYOTA (continued)									
52-6FGU45									
1999-2000	GM-6262	12	1.4	28300-22003-71	228000-4371		RA	280-7013	From 10/99. Available in Reman Only
52-6FGE35									
1986-1999	GM6-262	12	1.4	28300-22003-71	228000-4371		RA	280-7013	Available in Reman Only
52-6FGU33									
1999-2000	GM6-262	12	1.4	28300-22003-71	228000-4371		RA	280-7013	From 10/99. Available in Reman Only
52-6FGU35									
1999-2000	GM6-262	12	1.4	28300-22003-71	228000-4371		RA	280-7013	From 10/99. Available in Reman Only
52-6FGU40									
1999-2000	GM6-262	12	1.4	28300-22003-71	228000-4371		RA	280-7013	From 10/99. Available in Reman Only
52-6FGU45									
1999-2000	GM6-262	12	1.4	28300-22003-71	228000-4371		RA	280-7013	From 10/99. Available in Reman Only
5FG10									
1989-1994	4Y, 5K (OIL CLUTCH)	12	1.4	28300-22003-71	228000-4371		RA	280-7013	Available in Reman Only
1988-1989	4P, 4Y (OIL CLUTCH)	12	1.4	28300-22003-71	228000-4371		RA	280-7013	Available in Reman Only
1988-1989	4P, 4Y (UL-GS, UL-LPS)	12	1.4	28300-22003-71	228000-4371		RA	280-7013	Available in Reman Only
5FG14									
1989-1994	4Y, 5K (OIL CLUTCH)	12	1.4	28300-22003-71	228000-4371		RA	280-7013	Available in Reman Only
1988-1989	4P, 4Y (OIL CLUTCH)	12	1.4	28300-22003-71	228000-4371		RA	280-7013	Available in Reman Only
1988-1989	4P, 4Y (UL-GS, UL-LPS)	12	1.4	28300-22003-71	228000-4371		RA	280-7013	Available in Reman Only
5FG15									
1989-1994	4Y, 5K (OIL CLUTCH)	12	1.4	28300-22003-71	228000-4371		RA	280-7013	Available in Reman Only
1988-1989	4P, 4Y (OIL CLUTCH)	12	1.4	28300-22003-71	228000-4371		RA	280-7013	Available in Reman Only
1988-1989	4P, 4Y (UL-GS, UL-LPS)	12	1.4	28300-22003-71	228000-4371		RA	280-7013	Available in Reman Only
5FG18									
1989-1994	4Y, 5K (OIL CLUTCH)	12	1.4	28300-22003-71	228000-4371		RA	280-7013	Available in Reman Only
1988-1989	4P, 4Y (OIL CLUTCH)	12	1.4	28300-22003-71	228000-4371		RA	280-7013	Available in Reman Only
1988-1989	4P, 4Y (UL-GS, UL-LPS)	12	1.4	28300-22003-71	228000-4371		RA	280-7013	Available in Reman Only

STARTER APPLICATIONS



YEAR	ENGINE	VOLTS	kW	OEM PART NUMBER	NEW PART NUMBER	SOLENOID ANGLE	TYPE	REMAN PART NUMBER	APPLICATION INFORMATION
TOYOTA (continued)									
5FG20									
1989-1994	4Y, 5K (OIL CLUTCH)	12	1.4	28300-22003-71	228000-4371		RA	280-7013	Available in Reman Only
1989-1994	4Y, 5K (UL-GS, UL-LPS)	12	1.4	28300-22003-71	228000-4371		RA	280-7013	Available in Reman Only
1988-1989	4P, 4Y (OIL CLUTCH)	12	1.4	28300-22003-71	228000-4371		RA	280-7013	Available in Reman Only
1988-1989	4P, 4Y (UL-GS, UL-LPS)	12	1.4	28300-22003-71	228000-4371		RA	280-7013	Available in Reman Only
5FG23									
1989-1994	4Y, 5K (OIL CLUTCH)	12	1.4	28300-22003-71	228000-4371		RA	280-7013	Available in Reman Only
1989-1994	4Y, 5K (UL-GS, UL-LPS)	12	1.4	28300-22003-71	228000-4371		RA	280-7013	Available in Reman Only
1988-1989	4P, 4Y (OIL CLUTCH)	12	1.4	28300-22003-71	228000-4371		RA	280-7013	Available in Reman Only
1988-1989	4P, 4Y (UL-GS, UL-LPS)	12	1.4	28300-22003-71	228000-4371		RA	280-7013	Available in Reman Only
5FG25									
1989-1994	4Y, 5K (OIL CLUTCH)	12	1.4	28300-22003-71	228000-4371		RA	280-7013	Available in Reman Only
1989-1994	4Y, 5K (UL-GS, UL-LPS)	12	1.4	28300-22003-71	228000-4371		RA	280-7013	Available in Reman Only
1988-1989	4P, 4Y (OIL CLUTCH)	12	1.4	28300-22003-71	228000-4371		RA	280-7013	Available in Reman Only
1988-1989	4P, 4Y (UL-GS, UL-LPS)	12	1.4	28300-22003-71	228000-4371		RA	280-7013	Available in Reman Only
5FG28									
1988-1994	4Y (OIL CLUTCH)	12	1.4	28300-22003-71	228000-4371		RA	280-7013	Available in Reman Only
1988-1994	4Y (UL-GS, UL-LPS)	12	1.4	28300-22003-71	228000-4371		RA	280-7013	Available in Reman Only
5FG30									
1988-1994	4Y (OIL CLUTCH)	12	1.4	28300-22003-71	228000-4371		RA	280-7013	Available in Reman Only
1988-1994	4Y (UL-GS, UL-LPS)	12	1.4	28300-22003-71	228000-4371		RA	280-7013	Available in Reman Only
5FGC10									
1988-1993	4Y (SEALED STARTER)	12	1.4	28300-22003-71	228000-4371		RA	280-7013	Available in Reman Only
1988-1993	4Y (UL-GS, UL-LPS)	12	1.4	28300-22003-71	228000-4371		RA	280-7013	Available in Reman Only
5FGC13									
1988-1993	4Y (SEALED STARTER)	12	1.4	28300-22003-71	228000-4371		RA	280-7013	Available in Reman Only
1988-1993	4Y (UL-GS, UL-LPS)	12	1.4	28300-22003-71	228000-4371		RA	280-7013	Available in Reman Only

STARTER APPLICATIONS



YEAR	ENGINE	VOLTS	KW	OEM PART NUMBER	NEW PART NUMBER	SOLENOID ANGLE	TYPE	REMAN PART NUMBER	APPLICATION INFORMATION
TOYOTA (continued)									
5FGC15									
1988-1993	4Y (SEALED STARTER)	12	1.4	28300-22003-71	228000-4371		RA	280-7013	Available in Reman Only
1988-1993	4Y (UL-GS, UL-LPS)	12	1.4	28300-22003-71	228000-4371		RA	280-7013	Available in Reman Only
5FGC18									
1988-1993	4Y (SEALED STARTER)	12	1.4	28300-22003-71	228000-4371		RA	280-7013	Available in Reman Only
5FGC20									
1988-1993	4Y (SEALED STARTER)	12	1.4	28300-22003-71	228000-4371		RA	280-7013	Available in Reman Only
5FGC23									
1988-1993	4Y (SEALED STARTER)	12	1.4	28300-22003-71	228000-4371		RA	280-7013	Available in Reman Only
5FGC25									
1988-1993	4Y (SEALED STARTER)	12	1.4	28300-22003-71	228000-4371		RA	280-7013	Available in Reman Only
5FGC28									
1988-1993	4Y (SEALED STARTER)	12	1.4	28300-22003-71	228000-4371		RA	280-7013	Available in Reman Only
5FGC30									
1988-1993	4Y (SEALED STARTER)	12	1.4	28300-22003-71	228000-4371		RA	280-7013	Available in Reman Only
5FGCU10									
1991-1995	4Y (SEALED STARTER)	12	1.4	28300-22003-71	228000-4371		RA	280-7013	Available in Reman Only
5FGCU13									
1991-1995	4Y (SEALED STARTER)	12	1.4	28300-22003-71	228000-4371		RA	280-7013	Available in Reman Only
5FGCU15									
1991-1995	4Y (SEALED STARTER)	12	1.4	28300-22003-71	228000-4371		RA	280-7013	Available in Reman Only
5FGCU18									
1990-1995	4Y (SEALED STARTER)	12	1.4	28300-22003-71	228000-4371		RA	280-7013	Available in Reman Only
5FGCU20									
1990-1995	4Y (SEALED STARTER)	12	1.4	28300-22003-71	228000-4371		RA	280-7013	Available in Reman Only
5FGCU25									
1990-1995	4Y (SEALED STARTER)	12	1.4	28300-22003-71	228000-4371		RA	280-7013	Available in Reman Only
5FGCU30									
1990-1995	4Y (SEALED STARTER)	12	1.4	28300-22003-71	228000-4371		RA	280-7013	Available in Reman Only



YEAR	ENGINE	VOLTS	kW	OEM PART NUMBER	NEW PART NUMBER	SOLENOID ANGLE	TYPE	REMAN PART NUMBER	APPLICATION INFORMATION
TOYOTA (continued)									
6FG10									
1994-1998	5K..MTM (OIL CLUTCH)	12	1.4	28300-22003-71	228000-4371		RA	280-7013	Available in Reman Only
6FG14									
1994-1998	5K..MTM (OIL CLUTCH)	12	1.4	28300-22003-71	228000-4371		RA	280-7013	Available in Reman Only
6FG15									
1994-1998	5K..MTM (OIL CLUTCH)	12	1.4	28300-22003-71	228000-4371		RA	280-7013	Available in Reman Only
6FG18									
1994-1998	5K..MTM (OIL CLUTCH)	12	1.4	28300-22003-71	228000-4371		RA	280-7013	Available in Reman Only
6FG20									
1993-1998	4Y,5K..MTM (OIL CLUTCH)	12	1.4	28300-22003-71	228000-4371		RA	280-7013	Available in Reman Only
6FG23									
1993-1998	4Y,5K..MTM (OIL CLUTCH)	12	1.4	28300-22003-71	228000-4371		RA	280-7013	Available in Reman Only
6FG25									
1993-1998	4Y,5K..MTM (OIL CLUTCH)	12	1.4	28300-22003-71	228000-4371		RA	280-7013	Available in Reman Only
6FG28									
1994-1998	4Y..MTM (OIL CLUTCH)	12	1.4	28300-22003-71	228000-4371		RA	280-7013	Available in Reman Only
6FG30									
1994-1998	4Y..MTM (OIL CLUTCH)	12	1.4	28300-22003-71	228000-4371		RA	280-7013	Available in Reman Only
7FG10									
1998-Up	4Y,5K..MTM (OIL CLUTCH)	12	1.4	28300-22003-71	228000-4371		RA	280-7013	Available in Reman Only
7FG15									
1998-Up	4Y,5K..MTM (OIL CLUTCH)	12	1.4	28300-22003-71	228000-4371		RA	280-7013	Available in Reman Only
7FG20									
1998-Up	4Y,5K..MTM (OIL CLUTCH)	12	1.4	28300-22003-71	228000-4371		RA	280-7013	Available in Reman Only
7FG25									
1998-Up	4Y,5K..MTM (OIL CLUTCH)	12	1.4	28300-22003-71	228000-4371		RA	280-7013	Available in Reman Only
7FG30									
1998-Up	4Y,5K..MTM (OIL CLUTCH)	12	1.4	28300-22003-71	228000-4371		RA	280-7013	Available in Reman Only
7FG35									
1998-2002	G4	12	1.4	28300-22003-71	228000-4371		RA	280-7013	Available in Reman Only

STARTER APPLICATIONS



YEAR	ENGINE	VOLTS	KW	OEM PART NUMBER	NEW PART NUMBER	SOLENOID ANGLE	TYPE	REMAN PART NUMBER	APPLICATION INFORMATION
TOYOTA (continued)									
7FG40									
1998-2002	G4	12	1.4	28300-22003-71	228000-4371		RA	280-7013	Available in Reman Only
7FG45									
1998-2002	G4	12	1.4	28300-22003-71	228000-4371		RA	280-7013	Available in Reman Only
7FGAU50									
2000-Up	GM6-262	12	1.4	28300-22003-71	228000-4371		RA	280-7013	Available in Reman Only
7FGCSU20									
2000-Up	4Y (UL-GS, UL-LPS)	12	1.4	28300-22003-71	228000-4371		RA	280-7013	Available in Reman Only
7FGCU15									
2000-Up	4Y (UL-GS, UL-LPS)	12	1.4	28300-22003-71	228000-4371		RA	280-7013	Available in Reman Only
7FGCU18									
2000-Up	4Y (UL-GS, UL-LPS)	12	1.4	28300-22003-71	228000-4371		RA	280-7013	Available in Reman Only
7FGCU20									
1999-Up	4Y (UL-GS)	12	1.4	28300-22003-71	228000-4371		RA	280-7013	Available in Reman Only
1999-Up	4Y (UL-LPS)	12	1.4	28300-22003-71	228000-4371		RA	280-7013	Available in Reman Only
7FGCU25									
1999-Up	4Y (UL-GS)	12	1.4	28300-22003-71	228000-4371		RA	280-7013	Available in Reman Only
1999-Up	4Y (UL-LPS)	12	1.4	28300-22003-71	228000-4371		RA	280-7013	Available in Reman Only
7FGCU30									
1999-Up	4Y (UL-GS)	12	1.4	28300-22003-71	228000-4371		RA	280-7013	Available in Reman Only
1999-Up	4Y (UL-LPS)	12	1.4	28300-22003-71	228000-4371		RA	280-7013	Available in Reman Only
7FGCU32									
1999-Up	4Y (UL-GS)	12	1.4	28300-22003-71	228000-4371		RA	280-7013	Available in Reman Only
1999-Up	4Y (UL-LPS)	12	1.4	28300-22003-71	228000-4371		RA	280-7013	Available in Reman Only
7FGCU35									
2000-Up	GM6-262	12	1.4	28300-22003-71	228000-4371		RA	280-7013	Available in Reman Only
7FGCU45									
2000-Up	GM6-262	12	1.4	28300-22003-71	228000-4371		RA	280-7013	Available in Reman Only
7FGCU55									
2000-Up	GM6-262	12	1.4	28300-22003-71	228000-4371		RA	280-7013	Available in Reman Only
7FGCU60									
2000-Up	GM6-262	12	1.4	28300-22003-71	228000-4371		RA	280-7013	Available in Reman Only
7FGCU70									
2000-Up	GM6-262	12	1.4	28300-22003-71	228000-4371		RA	280-7013	Available in Reman Only
7FGJ35									
1998-Up	4Y, 5K..MTM (OIL CLUTCH)	12	1.4	28300-22003-71	228000-4371		RA	280-7013	Available in Reman Only
7FGK20									
1998-Up	4Y, 5K..MTM (OIL CLUTCH)	12	1.4	28300-22003-71	228000-4371		RA	280-7013	Available in Reman Only



YEAR	ENGINE	VOLTS	kW	OEM PART NUMBER	NEW PART NUMBER	SOLENOID ANGLE	TYPE	REMAN PART NUMBER	APPLICATION INFORMATION
TOYOTA (continued)									
7FGK25									
1998-Up	4Y, 5K..MTM (OIL CLUTCH)	12	1.4	28300-22003-71	228000-4371		RA	280-7013	Available in Reman Only
7FGK30									
1998-Up	4Y, 5K..MTM (OIL CLUTCH)	12	1.4	28300-22003-71	228000-4371		RA	280-7013	Available in Reman Only
7FGK40									
1998-2002	G4	12	1.4	28300-22003-71	228000-4371		RA	280-7013	Available in Reman Only
7FGKU40									
2000-Up	GM6-262	12	1.4	28300-22003-71	228000-4371		RA	280-7013	Available in Reman Only
7FGU15									
1999-Up	4Y (UL-GS)	12	1.4	28300-22003-71	228000-4371		RA	280-7013	Available in Reman Only
1999-Up	4Y (UL-LPS)	12	1.4	28300-22003-71	228000-4371		RA	280-7013	Available in Reman Only
7FGU18									
1999-Up	4Y (UL-GS)	12	1.4	28300-22003-71	228000-4371		RA	280-7013	Available in Reman Only
1999-Up	4Y (UL-LPS)	12	1.4	28300-22003-71	228000-4371		RA	280-7013	Available in Reman Only
7FGU20									
1999-Up	4Y (UL-GS)	12	1.4	28300-22003-71	228000-4371		RA	280-7013	Available in Reman Only
1999-Up	4Y (UL-LPS)	12	1.4	28300-22003-71	228000-4371		RA	280-7013	Available in Reman Only
7FGU25									
1999-Up	4Y (UL-GS)	12	1.4	28300-22003-71	228000-4371		RA	280-7013	Available in Reman Only
1999-Up	4Y (UL-LPS)	12	1.4	28300-22003-71	228000-4371		RA	280-7013	Available in Reman Only
7FGU30									
1999-Up	4Y (UL-GS)	12	1.4	28300-22003-71	228000-4371		RA	280-7013	Available in Reman Only
1999-Up	4Y (UL-LPS)	12	1.4	28300-22003-71	228000-4371		RA	280-7013	Available in Reman Only
7FGU32									
1999-Up	4Y (UL-GS)	12	1.4	28300-22003-71	228000-4371		RA	280-7013	Available in Reman Only
1999-Up	4Y (UL-LPS)	12	1.4	28300-22003-71	228000-4371		RA	280-7013	Available in Reman Only
7FGU35									
2000-Up	GM6-262	12	1.4	28300-22003-71	228000-4371		RA	280-7013	Available in Reman Only
7FGU45									
2000-Up	GM6-262	12	1.4	28300-22003-71	228000-4371		RA	280-7013	Available in Reman Only
7FGU60									
2000-Up	GM6-262	12	1.4	28300-22003-71	228000-4371		RA	280-7013	Available in Reman Only
7FGU70									
2000-Up	GM6-262	12	1.4	28300-22003-71	228000-4371		RA	280-7013	Available in Reman Only
7FGU80									
2000-Up	GM6-262	12	1.4	28300-22003-71	228000-4371		RA	280-7013	Available in Reman Only
FGC33									
1988-1997	2F (UL-GS, UL-LPS)	12	1.4	28300-22003-71	228000-4371		RA	280-7013	Available in Reman Only
FGC35									
1988-1997	2F (UL-GS, UL-LPS)	12	1.4	28300-22003-71	228000-4371		RA	280-7013	Available in Reman Only



YEAR	ENGINE	VOLTS	KW	OEM PART NUMBER	NEW PART NUMBER	SOLENOID ANGLE	TYPE	REMAN PART NUMBER	APPLICATION INFORMATION
TOYOTA (continued)									
FGC40									
1988-1997	2F (UL-GS, UL-LPS)	12	1.4	28300-22003-71	228000-4371		RA	280-7013	Available in Reman Only
FGC45									
1988-1997	2F (UL-GS, UL-LPS)	12	1.4	28300-22003-71	228000-4371		RA	280-7013	Available in Reman Only
02-2FG28									
1983-1986	5P	12	1.4	28100-20553-71	228000-4391		RA	280-7002	Available in Reman Only
02-2FG30									
1983-1986	5P	12	1.4	28100-20553-71	228000-4391		RA	280-7002	Available in Reman Only
02-2SG12									
1983-1990	5R..ATM (REDUCTION)	12	1.4	28100-20553-71	228000-4391		RA	280-7002	Available in Reman Only
02-2SGH10									
1983-1990	4P..ATM (REDUCTION)	12	1.4	28100-20553-71	228000-4391		RA	280-7002	Available in Reman Only
02-2SGH7									
1983-1992	4P..ATM (REDUCTION)	12	1.4	28100-20553-71	228000-4391		RA	280-7002	Available in Reman Only
02-2TG20									
1989-Up	4Y..ATM	12	1.4	28100-20553-71	228000-4391		RA	280-7002	Available in Reman Only
02-2TG25									
1989-Up	4Y..ATM	12	1.4	28100-20553-71	228000-4391		RA	280-7002	Available in Reman Only
02-3FG33									
1983-1988	2F..ATM	12	1.4	28100-20553-71	228000-4391		RA	280-7002	Available in Reman Only
02-3FG35									
1983-1988	2F..ATM	12	1.4	28100-20553-71	228000-4391		RA	280-7002	Available in Reman Only
02-3FG40									
1983-1988	2F..ATM	12	1.4	28100-20553-71	228000-4391		RA	280-7002	Available in Reman Only
02-3FGC10									
1983-1988	4P	12	1.4	28100-20553-71	228000-4391		RA	280-7002	Available in Reman Only
02-3FGC13									
1983-1988	4P	12	1.4	28100-20553-71	228000-4391		RA	280-7002	Available in Reman Only
02-3FGC15									
1983-1988	4P	12	1.4	28100-20553-71	228000-4391		RA	280-7002	Available in Reman Only
02-3FGC30									
1983-1988	5P	12	1.4	28100-20553-71	228000-4391		RA	280-7002	Available in Reman Only
02-3TG35									
1983-Up	2F	12	1.4	28100-20553-71	228000-4391		RA	280-7002	Available in Reman Only
02-4FG10									
1983-1986	4P, 5R..ATM	12	1.4	28100-20553-71	228000-4391		RA	280-7002	Available in Reman Only
02-4FG14									
1983-1986	4P, 5R..ATM	12	1.4	28100-20553-71	228000-4391		RA	280-7002	Available in Reman Only



YEAR	ENGINE	VOLTS	kW	OEM PART NUMBER	NEW PART NUMBER	SOLENOID ANGLE	TYPE	REMAN PART NUMBER	APPLICATION INFORMATION
TOYOTA (continued)									
02-4FG15									
1983-1986	4P, 5R..ATM	12	1.4	28100-20553-71	228000-4391		RA	280-7002	Available in Reman Only
02-4FG18									
1983-1986	4P, 5R..ATM	12	1.4	28100-20553-71	228000-4391		RA	280-7002	Available in Reman Only
02-4FG20									
1983-1986	4P, 5R..ATM	12	1.4	28100-20553-71	228000-4391		RA	280-7002	Available in Reman Only
02-4FG23									
1983-1986	4P, 5R..ATM	12	1.4	28100-20553-71	228000-4391		RA	280-7002	Available in Reman Only
02-4FG25									
1983-1986	4P, 5R..ATM	12	1.4	28100-20553-71	228000-4391		RA	280-7002	Available in Reman Only
02-4FGC20									
1983-1988	4P, 5P, 5R	12	1.4	28100-20553-71	228000-4391		RA	280-7002	Available in Reman Only
02-4FGC25									
1983-1988	4P, 5P, 5R	12	1.4	28100-20553-71	228000-4391		RA	280-7002	Available in Reman Only
02-5FG10									
1986-1989	4P, 4Y..ATM	12	1.4	28100-20553-71	228000-4391		RA	280-7002	Available in Reman Only
02-5FG14									
1986-1989	4P, 4Y..ATM	12	1.4	28100-20553-71	228000-4391		RA	280-7002	Available in Reman Only
02-5FG15									
1986-1989	4P, 4Y..ATM	12	1.4	28100-20553-71	228000-4391		RA	280-7002	Available in Reman Only
02-5FG18									
1986-1989	4P, 4Y..ATM	12	1.4	28100-20553-71	228000-4391		RA	280-7002	Available in Reman Only
02-5FG20									
1986-1989	4P, 4Y..ATM	12	1.4	28100-20553-71	228000-4391		RA	280-7002	Available in Reman Only
02-5FG23									
1986-1989	4P, 4Y..ATM	12	1.4	28100-20553-71	228000-4391		RA	280-7002	Available in Reman Only
02-5FG25									
1986-1989	4P, 4Y..ATM	12	1.4	28100-20553-71	228000-4391		RA	280-7002	Available in Reman Only
02-5FG28									
1986-1994	4Y..ATM	12	1.4	28100-20553-71	228000-4391		RA	280-7002	Available in Reman Only
02-5FG30									
1986-1994	4Y..ATM	12	1.4	28100-20553-71	228000-4391		RA	280-7002	Available in Reman Only
02-5FG33									
1988-1994	3F..ATM	12	1.4	28100-20553-71	228000-4391		RA	280-7002	Available in Reman Only
02-5FG35									
1988-1994	3F..ATM	12	1.4	28100-20553-71	228000-4391		RA	280-7002	Available in Reman Only
02-5FG40									
1988-1994	3F..ATM	12	1.4	28100-20553-71	228000-4391		RA	280-7002	Available in Reman Only
02-5FG45									
1988-1994	3F..ATM	12	1.4	28100-20553-71	228000-4391		RA	280-7002	Available in Reman Only
02-5FGE35									
1988-1994	3F..ATM	12	1.4	28100-20553-71	228000-4391		RA	280-7002	Available in Reman Only



YEAR	ENGINE	VOLTS	KW	OEM PART NUMBER	NEW PART NUMBER	SOLENOID ANGLE	TYPE	REMAN PART NUMBER	APPLICATION INFORMATION
TOYOTA (continued)									
02-5FGF15									
1987-1989	4P, 4Y	12	1.4	28100-20553-71	228000-4391		RA	280-7002	Available in Reman Only
02-5FGF18									
1987-1989	4P, 4Y	12	1.4	28100-20553-71	228000-4391		RA	280-7002	Available in Reman Only
02-5FGF20									
1987-1989	4P, 4Y	12	1.4	28100-20553-71	228000-4391		RA	280-7002	Available in Reman Only
02-5FGF30									
1991-1994	4Y	12	1.4	28100-20553-71	228000-4391		RA	280-7002	Available in Reman Only
02-5FGU30									
1990-1995	4Y	12	1.4	28100-20553-71	228000-4391		RA	280-7002	Available in Reman Only
02-6FG28									
1994-1998	4Y..ATM	12	1.4	28100-20553-71	228000-4391		RA	280-7002	Available in Reman Only
02-6FG30									
1994-1998	4Y..ATM	12	1.4	28100-20553-71	228000-4391		RA	280-7002	Available in Reman Only
02-6FGA30									
1994-1999	4Y	12	1.4	28100-20553-71	228000-4391		RA	280-7002	Available in Reman Only
02-6FGF30									
1994-1999	4Y	12	1.4	28100-20553-71	228000-4391		RA	280-7002	Available in Reman Only
02-7FG30									
1998-Up	4Y..ATM	12	1.4	28100-20553-71	228000-4391		RA	280-7002	Available in Reman Only
02-7FGF30									
1999-Up	4Y	12	1.4	28100-20553-71	228000-4391		RA	280-7002	Available in Reman Only
02-7FGJ35									
1998-Up	4Y..ATM	12	1.4	28100-20553-71	228000-4391		RA	280-7002	Available in Reman Only
02-7FGJF35									
1999-Up	4Y	12	1.4	28100-20553-71	228000-4391		RA	280-7002	Available in Reman Only
02-7FGK30									
1998-Up	4Y..ATM	12	1.4	28100-20553-71	228000-4391		RA	280-7002	Available in Reman Only
02-7FGN30									
2003-Up	4Y	12	1.4	28100-20553-71	228000-4391		RA	280-7002	Available in Reman Only
02-FGC18									
1983-1988	4P, 5P, 5R	12	1.4	28100-20553-71	228000-4391		RA	280-7002	Available in Reman Only
02-FGC23									
1983-1988	4P, 5P, 5R	12	1.4	28100-20553-71	228000-4391		RA	280-7002	Available in Reman Only
02-FGC28									
1983-1988	5P	12	1.4	28100-20553-71	228000-4391		RA	280-7002	Available in Reman Only
02-FGE35									
1983-1988	2F..ATM	12	1.4	28100-20553-71	228000-4391		RA	280-7002	Available in Reman Only
2FG28									
1983-1986	5P	12	1.4	28100-20553-71	228000-4391		RA	280-7002	Available in Reman Only
2FG30									
1983-1986	5P	12	1.4	28100-20553-71	228000-4391		RA	280-7002	Available in Reman Only



YEAR	ENGINE	VOLTS	kW	OEM PART NUMBER	NEW PART NUMBER	SOLENOID ANGLE	TYPE	REMAN PART NUMBER	APPLICATION INFORMATION
TOYOTA (continued)									
3FG50									
1983-1988	2F	12	1.4	28100-20553-71	228000-4391		RA	280-7002	Available in Reman Only
3FG60									
1983-1990	2F	12	1.4	28100-20553-71	228000-4391		RA	280-7002	Available in Reman Only
3FGC10									
1983-1988	4P	12	1.4	28100-20553-71	228000-4391		RA	280-7002	Available in Reman Only
3FGC13									
1983-1988	4P	12	1.4	28100-20553-71	228000-4391		RA	280-7002	Available in Reman Only
3FGC15									
1983-1988	4P	12	1.4	28100-20553-71	228000-4391		RA	280-7002	Available in Reman Only
3FGC30									
1983-1988	5P	12	1.4	28100-20553-71	228000-4391		RA	280-7002	Available in Reman Only
3TG35									
1983-Up	2F	12	1.4	28100-20553-71	228000-4391		RA	280-7002	Available in Reman Only
30-5FGC10									
1988-1993	4P	12	1.4	28100-20553-71	228000-4391		RA	280-7002	Available in Reman Only
30-5FGC13									
1988-1993	4P	12	1.4	28100-20553-71	228000-4391		RA	280-7002	Available in Reman Only
30-5FGC15									
1988-1993	4P	12	1.4	28100-20553-71	228000-4391		RA	280-7002	Available in Reman Only
40-3FGC10									
1983-1988	5R	12	1.4	28100-20553-71	228000-4391		RA	280-7002	Available in Reman Only
40-3FGC13									
1983-1988	5R	12	1.4	28100-20553-71	228000-4391		RA	280-7002	Available in Reman Only
40-3FGC15									
1983-1988	5R	12	1.4	28100-20553-71	228000-4391		RA	280-7002	Available in Reman Only
40-4FG10									
1983-1986	4P, 5R..MTM (REDUCTION)	12	1.4	28100-20553-71	228000-4391		RA	280-7002	Available in Reman Only
40-4FG14									
1983-1986	4P, 5R..MTM (REDUCTION)	12	1.4	28100-20553-71	228000-4391		RA	280-7002	Available in Reman Only
40-4FG15									
1983-1986	4P, 5R..MTM (REDUCTION)	12	1.4	28100-20553-71	228000-4391		RA	280-7002	Available in Reman Only
40-4FG18									
1983-1986	4P, 5R..MTM (REDUCTION)	12	1.4	28100-20553-71	228000-4391		RA	280-7002	Available in Reman Only
40-4FG20									
1983-1986	4P, 5R..MTM (REDUCTION)	12	1.4	28100-20553-71	228000-4391		RA	280-7002	Available in Reman Only
40-4FG23									
1983-1986	4P, 5R..MTM (REDUCTION)	12	1.4	28100-20553-71	228000-4391		RA	280-7002	Available in Reman Only

STARTER APPLICATIONS



YEAR	ENGINE	VOLTS	KW	OEM PART NUMBER	NEW PART NUMBER	SOLENOID ANGLE	TYPE	REMAN PART NUMBER	APPLICATION INFORMATION
TOYOTA (continued)									
40-4FG25									
1983-1986	4P, 5R...MTM (REDUCTION)	12	1.4	28100-20553-71	228000-4391		RA	280-7002	Available in Reman Only
40-4FGC20									
1983-1988	4P, 5P, 5R	12	1.4	28100-20553-71	228000-4391		RA	280-7002	Available in Reman Only
40-4FGC25									
1983-1988	4P, 5P, 5R	12	1.4	28100-20553-71	228000-4391		RA	280-7002	Available in Reman Only
40-5FG10									
1989-1994	4Y..MTM	12	1.4	28100-20553-71	228000-4391		RA	280-7002	Available in Reman Only
1986-1989	4P, 4Y..MTM	12	1.4	28100-20553-71	228000-4391		RA	280-7002	Available in Reman Only
40-5FG14									
1989-1994	4Y..MTM	12	1.4	28100-20553-71	228000-4391		RA	280-7002	Available in Reman Only
1986-1989	4P, 4Y..MTM	12	1.4	28100-20553-71	228000-4391		RA	280-7002	Available in Reman Only
40-5FG15									
1989-1994	4Y..MTM	12	1.4	28100-20553-71	228000-4391		RA	280-7002	Available in Reman Only
1986-1989	4P, 4Y..MTM	12	1.4	28100-20553-71	228000-4391		RA	280-7002	Available in Reman Only
40-5FG18									
1989-1994	4Y..MTM	12	1.4	28100-20553-71	228000-4391		RA	280-7002	Available in Reman Only
1986-1989	4P, 4Y..MTM	12	1.4	28100-20553-71	228000-4391		RA	280-7002	Available in Reman Only
40-5FG20									
1989-1994	4Y..MTM	12	1.4	28100-20553-71	228000-4391		RA	280-7002	Available in Reman Only
1986-1989	4P, 4Y..MTM	12	1.4	28100-20553-71	228000-4391		RA	280-7002	Available in Reman Only
40-5FG23									
1989-1994	4Y..MTM	12	1.4	28100-20553-71	228000-4391		RA	280-7002	Available in Reman Only
1986-1989	4P, 4Y..MTM	12	1.4	28100-20553-71	228000-4391		RA	280-7002	Available in Reman Only
40-5FG25									
1989-1994	4Y..MTM	12	1.4	28100-20553-71	228000-4391		RA	280-7002	Available in Reman Only
1986-1989	4P, 4Y..MTM	12	1.4	28100-20553-71	228000-4391		RA	280-7002	Available in Reman Only
40-5FGF15									
1987-1989	4P, 4Y	12	1.4	28100-20553-71	228000-4391		RA	280-7002	Available in Reman Only
40-5FGF18									
1987-1989	4P, 4Y	12	1.4	28100-20553-71	228000-4391		RA	280-7002	Available in Reman Only
40-5FGF20									
1987-1989	4P, 4Y	12	1.4	28100-20553-71	228000-4391		RA	280-7002	Available in Reman Only
40-7FG15									
1999-Up	4Y..MTM	12	1.4	28100-20553-71	228000-4391		RA	280-7002	Available in Reman Only
40-7FG20									
1999-Up	4Y..MTM	12	1.4	28100-20553-71	228000-4391		RA	280-7002	Available in Reman Only
40-7FG23									
1999-Up	4Y..MTM	12	1.4	28100-20553-71	228000-4391		RA	280-7002	Available in Reman Only
40-7FG25									
1999-Up	4Y..MTM	12	1.4	28100-20553-71	228000-4391		RA	280-7002	Available in Reman Only
40-7FGK20									
1999-Up	4Y..MTM	12	1.4	28100-20553-71	228000-4391		RA	280-7002	Available in Reman Only



YEAR	ENGINE	VOLTS	KW	OEM PART NUMBER	NEW PART NUMBER	SOLENOID ANGLE	TYPE	REMAN PART NUMBER	APPLICATION INFORMATION
TOYOTA (continued)									
40-7FGK25									
1999-Up	4Y..MTM	12	1.4	28100-20553-71	228000-4391		RA	280-7002	Available in Reman Only
40-7FGN15									
2003-Up	4Y	12	1.4	28100-20553-71	228000-4391		RA	280-7002	Available in Reman Only
40-7FGN20									
2003-Up	4Y	12	1.4	28100-20553-71	228000-4391		RA	280-7002	Available in Reman Only
40-7FGN25									
2003-Up	4Y	12	1.4	28100-20553-71	228000-4391		RA	280-7002	Available in Reman Only
40-FGC18									
1983-1988	4P, 5P, 5R	12	1.4	28100-20553-71	228000-4391		RA	280-7002	Available in Reman Only
40-FGC23									
1983-1988	4P, 5P, 5R	12	1.4	28100-20553-71	228000-4391		RA	280-7002	Available in Reman Only
42-2SG10									
1983-1990	5R..ATM (REDUCTION)	12	1.4	28100-20553-71	228000-4391		RA	280-7002	Available in Reman Only
42-2TD20									
1994-Up	4Y..ATM	12	1.4	28100-20553-71	228000-4391		RA	280-7002	Available in Reman Only
42-2TD25									
1994-Up	4Y..ATM	12	1.4	28100-20553-71	228000-4391		RA	280-7002	Available in Reman Only
42-3FGC10									
1983-1988	5R	12	1.4	28100-20553-71	228000-4391		RA	280-7002	Available in Reman Only
42-3FGC13									
1983-1988	5R	12	1.4	28100-20553-71	228000-4391		RA	280-7002	Available in Reman Only
42-3FGC15									
1983-1988	5R	12	1.4	28100-20553-71	228000-4391		RA	280-7002	Available in Reman Only
42-4FG10									
1983-1986	4P, 5R..ATM	12	1.4	28100-20553-71	228000-4391		RA	280-7002	Available in Reman Only
42-4FG14									
1983-1986	4P, 5R..ATM	12	1.4	28100-20553-71	228000-4391		RA	280-7002	Available in Reman Only
42-4FG15									
1983-1986	4P, 5R..ATM	12	1.4	28100-20553-71	228000-4391		RA	280-7002	Available in Reman Only
42-4FG18									
1983-1986	4P, 5R..ATM	12	1.4	28100-20553-71	228000-4391		RA	280-7002	Available in Reman Only
42-4FG20									
1983-1986	4P, 5R..ATM	12	1.4	28100-20553-71	228000-4391		RA	280-7002	Available in Reman Only
42-4FG23									
1983-1986	4P, 5R..ATM	12	1.4	28100-20553-71	228000-4391		RA	280-7002	Available in Reman Only
42-4FG25									
1983-1986	4P, 5R..ATM	12	1.4	28100-20553-71	228000-4391		RA	280-7002	Available in Reman Only
42-4FGC20									
1983-1988	4P, 5P, 5R	12	1.4	28100-20553-71	228000-4391		RA	280-7002	Available in Reman Only
42-4FGC25									
1983-1988	4P, 5P, 5R	12	1.4	28100-20553-71	228000-4391		RA	280-7002	Available in Reman Only



YEAR	ENGINE	VOLTS	KW	OEM PART NUMBER	NEW PART NUMBER	SOLENOID ANGLE	TYPE	REMAN PART NUMBER	APPLICATION INFORMATION
TOYOTA (continued)									
42-5FG10									
1989-1994	4Y..ATM	12	1.4	28100-20553-71	228000-4391		RA	280-7002	Available in Reman Only
1986-1989	4P, 4Y..ATM	12	1.4	28100-20553-71	228000-4391		RA	280-7002	Available in Reman Only
42-5FG14									
1989-1994	4Y..ATM	12	1.4	28100-20553-71	228000-4391		RA	280-7002	Available in Reman Only
1986-1989	4P, 4Y..ATM	12	1.4	28100-20553-71	228000-4391		RA	280-7002	Available in Reman Only
42-5FG15									
1989-1994	4Y..ATM	12	1.4	28100-20553-71	228000-4391		RA	280-7002	Available in Reman Only
1986-1989	4P, 4Y..ATM	12	1.4	28100-20553-71	228000-4391		RA	280-7002	Available in Reman Only
42-5FG18									
1989-1994	4Y..ATM	12	1.4	28100-20553-71	228000-4391		RA	280-7002	Available in Reman Only
1986-1989	4P, 4Y..ATM	12	1.4	28100-20553-71	228000-4391		RA	280-7002	Available in Reman Only
42-5FG20									
1989-1994	4Y..ATM	12	1.4	28100-20553-71	228000-4391		RA	280-7002	Available in Reman Only
1986-1989	4P, 4Y..ATM	12	1.4	28100-20553-71	228000-4391		RA	280-7002	Available in Reman Only
42-5FG23									
1989-1994	4Y..ATM	12	1.4	28100-20553-71	228000-4391		RA	280-7002	Available in Reman Only
1986-1989	4P, 4Y..ATM	12	1.4	28100-20553-71	228000-4391		RA	280-7002	Available in Reman Only
42-5FG25									
1989-1994	4Y..ATM	12	1.4	28100-20553-71	228000-4391		RA	280-7002	Available in Reman Only
1986-1989	4P, 4Y..ATM	12	1.4	28100-20553-71	228000-4391		RA	280-7002	Available in Reman Only
42-5FGF15									
1987-1989	4P, 4Y	12	1.4	28100-20553-71	228000-4391		RA	280-7002	Available in Reman Only
42-5FGF18									
1987-1989	4P, 4Y	12	1.4	28100-20553-71	228000-4391		RA	280-7002	Available in Reman Only
42-5FGF20									
1987-1989	4P, 4Y	12	1.4	28100-20553-71	228000-4391		RA	280-7002	Available in Reman Only
42-5FGU10									
1990-1995	4Y	12	1.4	28100-20553-71	228000-4391		RA	280-7002	Available in Reman Only
42-5FGU15									
1990-1995	4Y	12	1.4	28100-20553-71	228000-4391		RA	280-7002	Available in Reman Only
42-5FGU18									
1990-1995	4Y	12	1.4	28100-20553-71	228000-4391		RA	280-7002	Available in Reman Only
42-5FGU20									
1990-1995	4Y	12	1.4	28100-20553-71	228000-4391		RA	280-7002	Available in Reman Only
42-5FGU25									
1990-1995	4Y	12	1.4	28100-20553-71	228000-4391		RA	280-7002	Available in Reman Only
42-6FG10									
1994-1998	4Y..ATM	12	1.4	28100-20553-71	228000-4391		RA	280-7002	Available in Reman Only
42-6FG14									
1994-1998	4Y..ATM	12	1.4	28100-20553-71	228000-4391		RA	280-7002	Available in Reman Only
42-6FG15									
1994-1998	4Y..ATM	12	1.4	28100-20553-71	228000-4391		RA	280-7002	Available in Reman Only



YEAR	ENGINE	VOLTS	kW	OEM PART NUMBER	NEW PART NUMBER	SOLENOID ANGLE	TYPE	REMAN PART NUMBER	APPLICATION INFORMATION
TOYOTA (continued)									
42-6FG18									
1994-1998	4Y..ATM	12	1.4	28100-20553-71	228000-4391		RA	280-7002	Available in Reman Only
42-6FG20									
1993-1998	4Y..ATM	12	1.4	28100-20553-71	228000-4391		RA	280-7002	Available in Reman Only
42-6FG23									
1993-1998	4Y..ATM	12	1.4	28100-20553-71	228000-4391		RA	280-7002	Available in Reman Only
42-6FG25									
1993-1998	4Y..ATM	12	1.4	28100-20553-71	228000-4391		RA	280-7002	Available in Reman Only
42-6FGA20									
1994-1999	4Y	12	1.4	28100-20553-71	228000-4391		RA	280-7002	Available in Reman Only
42-6FGA25									
1994-1999	4Y	12	1.4	28100-20553-71	228000-4391		RA	280-7002	Available in Reman Only
42-6FGCU15									
1999-2000	4Y	12	1.4	28100-20553-71	228000-4391		RA	280-7002	Available in Reman Only
42-6FGCU18									
1999-2000	4Y	12	1.4	28100-20553-71	228000-4391		RA	280-7002	Available in Reman Only
42-6FGF15									
1994-1999	4Y	12	1.4	28100-20553-71	228000-4391		RA	280-7002	Available in Reman Only
42-6FGF18									
1994-1999	4Y	12	1.4	28100-20553-71	228000-4391		RA	280-7002	Available in Reman Only
42-6FGF20									
1994-1999	4Y	12	1.4	28100-20553-71	228000-4391		RA	280-7002	Available in Reman Only
42-6FGF25									
1994-1999	4Y	12	1.4	28100-20553-71	228000-4391		RA	280-7002	Available in Reman Only
42-7FG15									
1998-Up	4Y..ATM	12	1.4	28100-20553-71	228000-4391		RA	280-7002	Available in Reman Only
42-7FG18									
1998-Up	4Y..ATM	12	1.4	28100-20553-71	228000-4391		RA	280-7002	Available in Reman Only
42-7FG20									
1998-Up	4Y..ATM	12	1.4	28100-20553-71	228000-4391		RA	280-7002	Available in Reman Only
42-7FG25									
1998-Up	4Y..ATM	12	1.4	28100-20553-71	228000-4391		RA	280-7002	Available in Reman Only
42-7FGF15									
1999-Up	4Y	12	1.4	28100-20553-71	228000-4391		RA	280-7002	Available in Reman Only
42-7FGF18									
1999-Up	4Y	12	1.4	28100-20553-71	228000-4391		RA	280-7002	Available in Reman Only
42-7FGF20									
1999-Up	4Y	12	1.4	28100-20553-71	228000-4391		RA	280-7002	Available in Reman Only
42-7FGF25									
1999-Up	4Y	12	1.4	28100-20553-71	228000-4391		RA	280-7002	Available in Reman Only
42-7FGK20									
1998-Up	4Y..ATM	12	1.4	28100-20553-71	228000-4391		RA	280-7002	Available in Reman Only



YEAR	ENGINE	VOLTS	KW	OEM PART NUMBER	NEW PART NUMBER	SOLENOID ANGLE	TYPE	REMAN PART NUMBER	APPLICATION INFORMATION
TOYOTA (continued)									
42-7FGK25									
1998-Up	4Y..ATM	12	1.4	28100-20553-71	228000-4391		RA	280-7002	Available in Reman Only
42-7FGN15									
2003-Up	4Y	12	1.4	28100-20553-71	228000-4391		RA	280-7002	Available in Reman Only
42-7FGN20									
2003-Up	4Y	12	1.4	28100-20553-71	228000-4391		RA	280-7002	Available in Reman Only
42-7FGN25									
2003-Up	4Y	12	1.4	28100-20553-71	228000-4391		RA	280-7002	Available in Reman Only
42-FGC18									
1983-1988	4P, 5P, 5R	12	1.4	28100-20553-71	228000-4391		RA	280-7002	Available in Reman Only
42-FGC23									
1983-1988	4P, 5P, 5R	12	1.4	28100-20553-71	228000-4391		RA	280-7002	Available in Reman Only
4FG10									
1983-1986	4P, 5R..MTM (REDUCTION)	12	1.4	28100-20553-71	228000-4391		RA	280-7002	Available in Reman Only
4FG14									
1983-1986	4P, 5R..MTM (REDUCTION)	12	1.4	28100-20553-71	228000-4391		RA	280-7002	Available in Reman Only
4FG15									
1983-1986	4P, 5R..MTM (REDUCTION)	12	1.4	28100-20553-71	228000-4391		RA	280-7002	Available in Reman Only
4FG18									
1983-1986	4P, 5R..MTM (REDUCTION)	12	1.4	28100-20553-71	228000-4391		RA	280-7002	Available in Reman Only
4FG20									
1983-1986	4P, 5R..MTM (REDUCTION)	12	1.4	28100-20553-71	228000-4391		RA	280-7002	Available in Reman Only
4FG23									
1983-1986	4P, 5R..MTM (REDUCTION)	12	1.4	28100-20553-71	228000-4391		RA	280-7002	Available in Reman Only
4FG25									
1983-1986	4P, 5R..MTM (REDUCTION)	12	1.4	28100-20553-71	228000-4391		RA	280-7002	Available in Reman Only
4FGC20									
1983-1988	4P, 5P, 5R	12	1.4	28100-20553-71	228000-4391		RA	280-7002	Available in Reman Only
4FGC25									
1983-1988	4P, 5P, 5R	12	1.4	28100-20553-71	228000-4391		RA	280-7002	Available in Reman Only
5FG10									
1986-1989	4P, 4Y..MTM	12	1.4	28100-20553-71	228000-4391		RA	280-7002	Available in Reman Only
5FG14									
1986-1989	4P, 4Y..MTM	12	1.4	28100-20553-71	228000-4391		RA	280-7002	Available in Reman Only
5FG15									
1986-1989	4P, 4Y..MTM	12	1.4	28100-20553-71	228000-4391		RA	280-7002	Available in Reman Only



YEAR	ENGINE	VOLTS	kW	OEM PART NUMBER	NEW PART NUMBER	SOLENOID ANGLE	TYPE	REMAN PART NUMBER	APPLICATION INFORMATION
TOYOTA (continued)									
5FG18									
1986-1989	4P, 4Y..MTM	12	1.4	28100-20553-71	228000-4391		RA	280-7002	Available in Reman Only
5FG20									
1986-1989	4P, 4Y..MTM	12	1.4	28100-20553-71	228000-4391		RA	280-7002	Available in Reman Only
5FG23									
1986-1989	4P, 4Y..MTM	12	1.4	28100-20553-71	228000-4391		RA	280-7002	Available in Reman Only
5FG25									
1986-1989	4P, 4Y..MTM	12	1.4	28100-20553-71	228000-4391		RA	280-7002	Available in Reman Only
5FG28									
1986-1994	4Y..MTM	12	1.4	28100-20553-71	228000-4391		RA	280-7002	Available in Reman Only
5FG30									
1986-1994	4Y..MTM	12	1.4	28100-20553-71	228000-4391		RA	280-7002	Available in Reman Only
5FG50									
1990-Up	3F	12	1.4	28100-20553-71	228000-4391		RA	280-7002	Available in Reman Only
5FG60									
1990-Up	3F	12	1.4	28100-20553-71	228000-4391		RA	280-7002	Available in Reman Only
5FGC10									
1988-1993	4Y	12	1.4	28100-20553-71	228000-4391		RA	280-7002	Available in Reman Only
5FGC13									
1988-1993	4Y	12	1.4	28100-20553-71	228000-4391		RA	280-7002	Available in Reman Only
5FGC15									
1988-1993	4Y	12	1.4	28100-20553-71	228000-4391		RA	280-7002	Available in Reman Only
5FGC18									
1988-1993	4Y	12	1.4	28100-20553-71	228000-4391		RA	280-7002	Available in Reman Only
5FGC20									
1988-1993	4Y	12	1.4	28100-20553-71	228000-4391		RA	280-7002	Available in Reman Only
5FGC23									
1988-1993	4Y	12	1.4	28100-20553-71	228000-4391		RA	280-7002	Available in Reman Only
5FGC25									
1988-1993	4Y	12	1.4	28100-20553-71	228000-4391		RA	280-7002	Available in Reman Only
5FGC28									
1988-1993	4Y	12	1.4	28100-20553-71	228000-4391		RA	280-7002	Available in Reman Only
5FGC30									
1988-1993	4Y	12	1.4	28100-20553-71	228000-4391		RA	280-7002	Available in Reman Only
5FGCU10									
1991-1995	4Y	12	1.4	28100-20553-71	228000-4391		RA	280-7002	Available in Reman Only
5FGCU13									
1991-1995	4Y	12	1.4	28100-20553-71	228000-4391		RA	280-7002	Available in Reman Only
5FGCU15									
1991-1995	4Y	12	1.4	28100-20553-71	228000-4391		RA	280-7002	Available in Reman Only
5FGCU18									
1990-1995	4Y	12	1.4	28100-20553-71	228000-4391		RA	280-7002	Available in Reman Only

STARTER APPLICATIONS



YEAR	ENGINE	VOLTS	KW	OEM PART NUMBER	NEW PART NUMBER	SOLENOID ANGLE	TYPE	REMAN PART NUMBER	APPLICATION INFORMATION
TOYOTA (continued)									
5FGCU20									
1990-1995	4Y	12	1.4	28100-20553-71	228000-4391		RA	280-7002	Available in Reman Only
5FGCU25									
1990-1995	4Y	12	1.4	28100-20553-71	228000-4391		RA	280-7002	Available in Reman Only
5FGCU30									
1990-1995	4Y	12	1.4	28100-20553-71	228000-4391		RA	280-7002	Available in Reman Only
5FGF15									
1987-1989	4P, 4Y	12	1.4	28100-20553-71	228000-4391		RA	280-7002	Available in Reman Only
5FGF18									
1987-1989	4P, 4Y	12	1.4	28100-20553-71	228000-4391		RA	280-7002	Available in Reman Only
5FGF20									
1987-1989	4P, 4Y	12	1.4	28100-20553-71	228000-4391		RA	280-7002	Available in Reman Only
60-4FG10									
1983-1986	5P	12	1.4	28100-20553-71	228000-4391		RA	280-7002	Available in Reman Only
60-4FG14									
1983-1986	5P	12	1.4	28100-20553-71	228000-4391		RA	280-7002	Available in Reman Only
60-4FG15									
1983-1986	5P	12	1.4	28100-20553-71	228000-4391		RA	280-7002	Available in Reman Only
60-4FG18									
1983-1986	5P	12	1.4	28100-20553-71	228000-4391		RA	280-7002	Available in Reman Only
60-4FG20									
1983-1986	5P	12	1.4	28100-20553-71	228000-4391		RA	280-7002	Available in Reman Only
60-4FG23									
1983-1986	5P	12	1.4	28100-20553-71	228000-4391		RA	280-7002	Available in Reman Only
60-4FG25									
1983-1986	5P	12	1.4	28100-20553-71	228000-4391		RA	280-7002	Available in Reman Only
60-4FGC20									
1983-1988	4P, 5P, 5R	12	1.4	28100-20553-71	228000-4391		RA	280-7002	Available in Reman Only
60-4FGC25									
1983-1988	4P, 5P, 5R	12	1.4	28100-20553-71	228000-4391		RA	280-7002	Available in Reman Only
60-FGC18									
1983-1988	4P, 5P, 5R	12	1.4	28100-20553-71	228000-4391		RA	280-7002	Available in Reman Only
60-FGC23									
1983-1988	4P, 5P, 5R	12	1.4	28100-20553-71	228000-4391		RA	280-7002	Available in Reman Only
62-4FG10									
1983-1986	5P	12	1.4	28100-20553-71	228000-4391		RA	280-7002	Available in Reman Only
62-4FG14									
1983-1986	5P	12	1.4	28100-20553-71	228000-4391		RA	280-7002	Available in Reman Only
62-4FG15									
1983-1986	5P	12	1.4	28100-20553-71	228000-4391		RA	280-7002	Available in Reman Only
62-4FG18									
1983-1986	5P	12	1.4	28100-20553-71	228000-4391		RA	280-7002	Available in Reman Only



YEAR	ENGINE	VOLTS	kW	OEM PART NUMBER	NEW PART NUMBER	SOLENOID ANGLE	TYPE	REMAN PART NUMBER	APPLICATION INFORMATION
TOYOTA (continued)									
62-4FG20									
1983-1986	5P	12	1.4	28100-20553-71	228000-4391		RA	280-7002	Available in Reman Only
62-4FG23									
1983-1986	5P	12	1.4	28100-20553-71	228000-4391		RA	280-7002	Available in Reman Only
62-4FG25									
1983-1986	5P	12	1.4	28100-20553-71	228000-4391		RA	280-7002	Available in Reman Only
62-4FGC20									
1983-1988	4P, 5P, 5R	12	1.4	28100-20553-71	228000-4391		RA	280-7002	Available in Reman Only
62-4FGC25									
1983-1988	4P, 5P, 5R	12	1.4	28100-20553-71	228000-4391		RA	280-7002	Available in Reman Only
62-FGC18									
1983-1988	4P, 5P, 5R	12	1.4	28100-20553-71	228000-4391		RA	280-7002	Available in Reman Only
62-FGC23									
1983-1988	4P, 5P, 5R	12	1.4	28100-20553-71	228000-4391		RA	280-7002	Available in Reman Only
7FG30									
1999-Up	4Y..MTM	12	1.4	28100-20553-71	228000-4391		RA	280-7002	Available in Reman Only
7FGCSU20									
2000-Up	4Y	12	1.4	28100-20553-71	228000-4391		RA	280-7002	Available in Reman Only
7FGCU15									
2000-Up	4Y	12	1.4	28100-20553-71	228000-4391		RA	280-7002	Available in Reman Only
7FGCU18									
2000-Up	4Y	12	1.4	28100-20553-71	228000-4391		RA	280-7002	Available in Reman Only
7FGCU20									
1999-Up	4Y	12	1.4	28100-20553-71	228000-4391		RA	280-7002	Available in Reman Only
7FGCU25									
1999-Up	4Y	12	1.4	28100-20553-71	228000-4391		RA	280-7002	Available in Reman Only
7FGCU30									
1999-Up	4Y	12	1.4	28100-20553-71	228000-4391		RA	280-7002	Available in Reman Only
7FGCU32									
1999-Up	4Y	12	1.4	28100-20553-71	228000-4391		RA	280-7002	Available in Reman Only
7FGJ35									
1999-Up	4Y..MTM	12	1.4	28100-20553-71	228000-4391		RA	280-7002	Available in Reman Only
7FGK30									
1999-Up	4Y..MTM	12	1.4	28100-20553-71	228000-4391		RA	280-7002	Available in Reman Only
7FGN30									
2003-Up	4Y	12	1.4	28100-20553-71	228000-4391		RA	280-7002	Available in Reman Only
7FGU15									
1999-Up	4Y	12	1.4	28100-20553-71	228000-4391		RA	280-7002	Available in Reman Only
7FGU18									
1999-Up	4Y	12	1.4	28100-20553-71	228000-4391		RA	280-7002	Available in Reman Only
7FGU20									
1999-Up	4Y	12	1.4	28100-20553-71	228000-4391		RA	280-7002	Available in Reman Only

STARTER APPLICATIONS



YEAR	ENGINE	VOLTS	KW	OEM PART NUMBER	NEW PART NUMBER	SOLENOID ANGLE	TYPE	REMAN PART NUMBER	APPLICATION INFORMATION
TOYOTA (continued)									
7FGU25									
1999-Up	4Y	12	1.4	28100-20553-71	228000-4391		RA	280-7002	Available in Reman Only
7FGU30									
1999-Up	4Y	12	1.4	28100-20553-71	228000-4391		RA	280-7002	Available in Reman Only
7FGU32									
1999-Up	4Y	12	1.4	28100-20553-71	228000-4391		RA	280-7002	Available in Reman Only
FG45									
1983-1988	2F..ATM	12	1.4	28100-20553-71	228000-4391		RA	280-7002	Available in Reman Only
FGC18									
1983-1988	4P, 5P, 5R	12	1.4	28100-20553-71	228000-4391		RA	280-7002	Available in Reman Only
FGC23									
1983-1988	4P, 5P, 5R	12	1.4	28100-20553-71	228000-4391		RA	280-7002	Available in Reman Only
FGC28									
1983-1988	5P	12	1.4	28100-20553-71	228000-4391		RA	280-7002	Available in Reman Only
FGC33									
1983-1997	2F	12	1.4	28100-20553-71	228000-4391		RA	280-7002	Available in Reman Only
FGC35									
1983-1997	2F	12	1.4	28100-20553-71	228000-4391		RA	280-7002	Available in Reman Only
FGC40									
1983-1997	2F	12	1.4	28100-20553-71	228000-4391		RA	280-7002	Available in Reman Only
FGC45									
1983-1994	2F	12	1.4	28100-20553-71	228000-4391		RA	280-7002	Available in Reman Only
52-6FGCU20									
1995-1999	GM4181	12	1.4	28100-U2120-71	228000-4851		RA	280-7012	Available in Reman Only
52-6FGCU25									
1995-1999	GM4181	12	1.4	28100-U2120-71	228000-4851		RA	280-7012	Available in Reman Only
52-6FGCU30									
1995-1999	GM4181	12	1.4	28100-U2120-71	228000-4851		RA	280-7012	Available in Reman Only
52-6FGU20									
1995-1999	GM4181	12	1.4	28100-U2120-71	228000-4851		RA	280-7012	Available in Reman Only
52-6FGU25									
1995-1999	GM4181	12	1.4	28100-U2120-71	228000-4851		RA	280-7012	Available in Reman Only
52-6FGU30									
1995-1999	GM4181	12	1.4	28100-U2120-71	228000-4851		RA	280-7012	Available in Reman Only
02-6FGU30									
1995-1999	4Y, GM4181 (UL-GS, UL-LPS)	12	1.4	28300-U2100-71	228000-4861		RA	280-7017	Available in Reman Only
52-6FGAU50									
1997-1999	GM6-262	12	1.4	28300-U2100-71	228000-4861		RA	280-7017	To 10/99. Available in Reman Only
52-6FGCU20									
1995-1999	GM4181 (UL-GS, UL-LPS)	12	1.4	28300-U2100-71	228000-4861		RA	280-7017	Available in Reman Only



YEAR	ENGINE	VOLTS	kW	OEM PART NUMBER	NEW PART NUMBER	SOLENOID ANGLE	TYPE	REMAN PART NUMBER	APPLICATION INFORMATION
TOYOTA (continued)									
52-6FGCU25									
1995-1999	GM4181 (UL-GS, UL-LPS)	12	1.4	28300-U2100-71	228000-4861		RA	280-7017	Available in Reman Only
52-6FGCU30									
1995-1999	GM4181 (UL-GS, UL-LPS)	12	1.4	28300-U2100-71	228000-4861		RA	280-7017	Available in Reman Only
52-6FGCU33									
1997-1999	GM-6262	12	1.4	28300-U2100-71	228000-4861		RA	280-7017	To 10/99. Available in Reman Only
52-6FGCU35									
1997-1999	GM-6262	12	1.4	28300-U2100-71	228000-4861		RA	280-7017	To 10/99. Available in Reman Only
52-6FGCU45									
1997-1999	GM-6262	12	1.4	28300-U2100-71	228000-4861		RA	280-7017	To 10/99. Available in Reman Only
52-6FGU20									
1995-1999	4Y, GM4181 (UL-GS, UL-LPS)	12	1.4	28300-U2100-71	228000-4861		RA	280-7017	Available in Reman Only
52-6FGU25									
1995-1999	4Y, GM4181 (UL-GS, UL-LPS)	12	1.4	28300-U2100-71	228000-4861		RA	280-7017	Available in Reman Only
52-6FGU30									
1995-1999	4Y, GM4181 (UL-GS, UL-LPS)	12	1.4	28300-U2100-71	228000-4861		RA	280-7017	Available in Reman Only
52-6FGU33									
1997-1999	GM6-262	12	1.4	28300-U2100-71	228000-4861		RA	280-7017	To 10/99. Available in Reman Only
52-6FGU35									
1997-1999	GM6-262	12	1.4	28300-U2100-71	228000-4861		RA	280-7017	To 10/99. Available in Reman Only
52-6FGU40									
1997-1999	GM6-262	12	1.4	28300-U2100-71	228000-4861		RA	280-7017	To 10/99. Available in Reman Only
52-6FGU45									
1997-1999	GM6-262	12	1.4	28300-U2100-71	228000-4861		RA	280-7017	To 10/99. Available in Reman Only
42-6FGCU15									
1995-1999	4Y (UL-GS, UL-LPS)	12	1.4	28300-U2100-71	228000-4861		RA	280-7017	To 10/99. Available in Reman Only
42-6FGCU18									
1995-1999	4Y (UL-GS, UL-LPS)	12	1.4	28300-U2100-71	228000-4861		RA	280-7017	To 10/99. Available in Reman Only
42-6FGCU20									
1995-1999	4Y (UL-GS, UL-LPS)	12	1.4	28300-U2100-71	228000-4861		RA	280-7017	Available in Reman Only

STARTER APPLICATIONS



YEAR	ENGINE	VOLTS	KW	OEM PART NUMBER	NEW PART NUMBER	SOLENOID ANGLE	TYPE	REMAN PART NUMBER	APPLICATION INFORMATION
TOYOTA (continued)									
42-6FGCU25									
1995-1999	4Y (UL-GS, UL-LPS)	12	1.4	28300-U2100-71	228000-4861		RA	280-7017	Available in Reman Only
42-6FGCU30									
1995-1999	4Y (UL-GS, UL-LPS)	12	1.4	28300-U2100-71	228000-4861		RA	280-7017	Available in Reman Only
42-6FGU15									
1995-1999	4Y (UL-GS, UL-LPS)	12	1.4	28300-U2100-71	228000-4861		RA	280-7017	Available in Reman Only
42-6FGU18									
1995-1999	4Y (UL-GS, UL-LPS)	12	1.4	28300-U2100-71	228000-4861		RA	280-7017	Available in Reman Only
42-6FGU20									
1995-1999	4Y, GM4181 (UL-GS, UL-LPS)	12	1.4	28300-U2100-71	228000-4861		RA	280-7017	Available in Reman Only
42-6FGU25									
1995-1999	4Y, GM4181 (UL-GS, UL-LPS)	12	1.4	28300-U2100-71	228000-4861		RA	280-7017	Available in Reman Only
2006-2006	4Y 1904 01	12	1.4	28100-20553-71	228000-4391		RA	280-7002	Available in Reman Only
	4Y 1904 01 (UL-DS, UL-GS, UL-LPS)	12	1.4	28300-22003-71	228000-4371		RA	280-7013	Available in Reman Only
3SD20									
1980-1997	2H	24	4.5	28100-31625-71	028000-7812		R	280-7003	Available in Reman Only
3SD23									
1980-1997	2H	24	4.5	28100-31625-71	028000-7812		R	280-7003	Available in Reman Only
3TD35									
1982-Up	2H	24	4.5	28100-31625-71	028000-7812		R	280-7003	Available in Reman Only
FD45									
1980-1988	2H..ATM	24	4.5	28100-31625-71	028000-7812		R	280-7003	Available in Reman Only
FDC33									
1982-1997	2H	24	4.5	28100-31625-71	028000-7812		R	280-7003	Available in Reman Only
FDC35									
1982-1997	2H	24	4.5	28100-31625-71	028000-7812		R	280-7003	Available in Reman Only
FDC40									
1982-1997	2H	24	4.5	28100-31625-71	028000-7812		R	280-7003	Available in Reman Only
FDC45									
1982-1997	2H	24	4.5	28100-31625-71	028000-7812		R	280-7003	Available in Reman Only
JD18									
1981-1986		24	4.5	28100-31625-71	028000-7812		R	280-7003	Available in Reman Only
JD21L									
1981-1986		24	4.5	28100-31625-71	028000-7812		R	280-7003	Available in Reman Only
FG70									
1983-1990	2F	12	1.4	28100-20552-71	128000-0623		IIR	280-7000	Available in Reman Only



YEAR	ENGINE	VOLTS	kW	OEM PART NUMBER	NEW PART NUMBER	SOLENOID ANGLE	TYPE	REMAN PART NUMBER	APPLICATION INFORMATION
TOYOTA (continued)									
FG70 (continued)									
1980-1983	2F	12	1.4	28100-20552-71	128000-0623		IIR	280-7000	Available in Reman Only
30-8FG10									
2006-	4Y	12	1.4	28100-20553-71	228000-4391		RA	280-7002	Available in Reman Only
30-8FG15									
2006-	4Y	12	1.4	28100-20553-71	228000-4391		RA	280-7002	Available in Reman Only
30-8FG20									
2006-	4Y	12	1.4	28100-20553-71	228000-4391		RA	280-7002	Available in Reman Only
30-8FG25									
2006-	4Y	12	1.4	28100-20553-71	228000-4391		RA	280-7002	Available in Reman Only
30-8FG30									
2006-	4Y	12	1.4	28100-20553-71	228000-4391		RA	280-7002	Available in Reman Only
30-8FGJ35									
2006-	4Y	12	1.4	28100-20553-71	228000-4391		RA	280-7002	Available in Reman Only
32-8FG10									
2006-	4Y	12	1.4	28100-20553-71	228000-4391		RA	280-7002	Available in Reman Only
32-8FG15									
2006-	4Y	12	1.4	28100-20553-71	228000-4391		RA	280-7002	Available in Reman Only
32-8FG18									
2006-	4Y	12	1.4	28100-20553-71	228000-4391		RA	280-7002	Available in Reman Only
32-8FG20									
2006-	4Y	12	1.4	28100-20553-71	228000-4391		RA	280-7002	Available in Reman Only
32-8FG25									
2006-	4Y	12	1.4	28100-20553-71	228000-4391		RA	280-7002	Available in Reman Only
32-8FG30									
2006-	4Y	12	1.4	28100-20553-71	228000-4391		RA	280-7002	Available in Reman Only
32-8FGJ35									
2006-	4Y	12	1.4	28100-20553-71	228000-4391		RA	280-7002	Available in Reman Only
32-8FGK20									
2006-	4Y	12	1.4	28100-20553-71	228000-4391		RA	280-7002	Available in Reman Only
32-8FGK25									
2006-	4Y	12	1.4	28100-20553-71	228000-4391		RA	280-7002	Available in Reman Only
32-8FGK30									
2006-	4Y	12	1.4	28100-20553-71	228000-4391		RA	280-7002	Available in Reman Only
30-8FGN15									
2006-	4Y	12	1.4	28100-20553-71	228000-4391		RA	280-7002	Available in Reman Only
30-8FGN20									
2006-	4Y	12	1.4	28100-20553-71	228000-4391		RA	280-7002	Available in Reman Only
30-8FGN25									
2006-	4Y	12	1.4	28100-20553-71	228000-4391		RA	280-7002	Available in Reman Only
30-8FGN30									
2006-	4Y	12	1.4	28100-20553-71	228000-4391		RA	280-7002	Available in Reman Only

STARTER APPLICATIONS



YEAR	ENGINE	VOLTS	KW	OEM PART NUMBER	NEW PART NUMBER	SOLENOID ANGLE	TYPE	REMAN PART NUMBER	APPLICATION INFORMATION
TOYOTA (continued)									
32-8FGN15									
2006-	4Y	12	1.4	28100-20553-71	228000-4391		RA	280-7002	Available in Reman Only
32-8FGN20									
2006-	4Y	12	1.4	28100-20553-71	228000-4391		RA	280-7002	Available in Reman Only
32-8FGN25									
2006-	4Y	12	1.4	28100-20553-71	228000-4391		RA	280-7002	Available in Reman Only
32-8FGN30									
2006-	4Y	12	1.4	28100-20553-71	228000-4391		RA	280-7002	Available in Reman Only
8FGCSU20									
2006-	*	12	1.4	28100-20553-71	228000-4391		RA	280-7002	Available in Reman Only
8FGCU15									
2006-	*	12	1.4	28100-20553-71	228000-4391		RA	280-7002	Available in Reman Only
8FGCU18									
2006-	*	12	1.4	28100-20553-71	228000-4391		RA	280-7002	Available in Reman Only
8FGCU20									
2006-	4Y	12	1.4	28100-20553-71	228000-4391		RA	280-7002	Available in Reman Only
8FGCU25									
2006-	4Y	12	1.4	28100-20553-71	228000-4391		RA	280-7002	Available in Reman Only
8FGCU30									
2006-	4Y	12	1.4	28100-20553-71	228000-4391		RA	280-7002	Available in Reman Only
8FGCU32									
2006-	4Y	12	1.4	28100-20553-71	228000-4391		RA	280-7002	Available in Reman Only
8FGU15									
2006-	4Y	12	1.4	28100-20553-71	228000-4391		RA	280-7002	Available in Reman Only
8FGU18									
2006-	4Y	12	1.4	28100-20553-71	228000-4391		RA	280-7002	Available in Reman Only
8FGU20									
2006-	4Y	12	1.4	28100-20553-71	228000-4391		RA	280-7002	Available in Reman Only
8FGU25									
2006-	4Y	12	1.4	28100-20553-71	228000-4391		RA	280-7002	Available in Reman Only
8FGU30									
2006-	4Y	12	1.4	28100-20553-71	228000-4391		RA	280-7002	Available in Reman Only
8FGU32									
2006-	4Y	12	1.4	28100-20553-71	228000-4391		RA	280-7002	Available in Reman Only
02-8FGF15									
2007-	4Y	12	1.4	28100-20553-71	228000-4391		RA	280-7002	Available in Reman Only
02-8FGF18									
2007-	4Y	12	1.4	28100-20553-71	228000-4391		RA	280-7002	Available in Reman Only
02-8FGF20									
2007-	4Y	12	1.4	28100-20553-71	228000-4391		RA	280-7002	Available in Reman Only
02-8FGF25									
2007-	4Y	12	1.4	28100-20553-71	228000-4391		RA	280-7002	Available in Reman Only



YEAR	ENGINE	VOLTS	kW	OEM PART NUMBER	NEW PART NUMBER	SOLENOID ANGLE	TYPE	REMAN PART NUMBER	APPLICATION INFORMATION
TOYOTA (continued)									
02-8FGF30									
2007-	4Y	12	1.4	28100-20553-71	228000-4391		RA	280-7002	Available in Reman Only
02-8FGJF35									
2007-	4Y	12	1.4	28100-20553-71	228000-4391		RA	280-7002	Available in Reman Only
02-8FGKF20									
2007-	4Y	12	1.4	28100-20553-71	228000-4391		RA	280-7002	Available in Reman Only
FG70									
1983-1990	2F	12	1.4	28100-20553-71	228000-4391		RA	280-7002	Available in Reman Only
02-2FDC25									
1980-1986	2J [24V]	24	4.5	28100-22061-71	028000-5864		R	280-7001	Available in Reman Only
1986-1988	2J [24V]	24	4.5	28100-22061-71	028000-5864		R	280-7001	Available in Reman Only
02-2FDC30									
1980-1986	2J	24	4.5	28100-22061-71	028000-5864		R	280-7001	Available in Reman Only
1986-1988	2J	24	4.5	28100-22061-71	028000-5864		R	280-7001	Available in Reman Only
70-8FD20									
2006-	2Z	12	2.7	28100-23660-71	228000-3711		R	280-7051	Available in Reman Only
70-8FD25									
2006-	2Z	12	2.7	28100-23660-71	228000-3711		R	280-7051	Available in Reman Only
70-8FD30									
2006-	2Z	12	2.7	28100-23660-71	228000-3711		R	280-7051	Available in Reman Only
70-8FDJ35									
2006-	2Z	12	2.7	28100-23660-71	228000-3711		R	280-7051	Available in Reman Only
72-8FD20									
2006-	2Z	12	2.7	28100-23660-71	228000-3711		R	280-7051	Available in Reman Only
72-8FD25									
2006-	2Z	12	2.7	28100-23660-71	228000-3711		R	280-7051	Available in Reman Only
72-8FD30									
2006-	2Z	12	2.7	28100-23660-71	228000-3711		R	280-7051	Available in Reman Only
72-8FDJ35									
2006-	2Z	12	2.7	28100-23660-71	228000-3711		R	280-7051	Available in Reman Only
60-8FD10									
2006-	1DZ	12	2.7	28100-23660-71	228000-3711		R	280-7051	Available in Reman Only
60-8FD15									
2006-	1DZ	12	2.7	28100-23660-71	228000-3711		R	280-7051	Available in Reman Only
60-8FD20									
2006-	1DZ	12	2.7	28100-23660-71	228000-3711		R	280-7051	Available in Reman Only
60-8FD25									
2006-	1DZ	12	2.7	28100-23660-71	228000-3711		R	280-7051	Available in Reman Only
60-8FD30									
2006-	1DZ	12	2.7	28100-23660-71	228000-3711		R	280-7051	Available in Reman Only
62-8FD10									
2006-	1DZ	12	2.7	28100-23660-71	228000-3711		R	280-7051	Available in Reman Only

STARTER APPLICATIONS



YEAR	ENGINE	VOLTS	KW	OEM PART NUMBER	NEW PART NUMBER	SOLENOID ANGLE	TYPE	REMAN PART NUMBER	APPLICATION INFORMATION
TOYOTA (continued)									
62-8FD15									
2006-	1DZ	12	2.7	28100-23660-71	228000-3711		R	280-7051	Available in Reman Only
62-8FD18									
2006-	1DZ	12	2.7	28100-23660-71	228000-3711		R	280-7051	Available in Reman Only
62-8FD20									
2006-	1DZ	12	2.7	28100-23660-71	228000-3711		R	280-7051	Available in Reman Only
62-8FD25									
2006-	1DZ	12	2.7	28100-23660-71	228000-3711		R	280-7051	Available in Reman Only
62-8FD30									
2006-	1DZ	12	2.7	28100-23660-71	228000-3711		R	280-7051	Available in Reman Only
62-8FDK20									
2006-	1DZ	12	2.7	28100-23660-71	228000-3711		R	280-7051	Available in Reman Only
62-8FDK25									
2006-	1DZ	12	2.7	28100-23660-71	228000-3711		R	280-7051	Available in Reman Only
62-8FDK30									
2006-	1DZ	12	2.7	28100-23660-71	228000-3711		R	280-7051	Available in Reman Only
30-5SDK10									
2008-	1DZ,ZZ	12	2.7	28100-23660-71	228000-3711		R	280-7051	Available in Reman Only
30-5SDK11									
2008-	1DZ,ZZ	12	2.7	28100-23660-71	228000-3711		R	280-7051	Available in Reman Only
30-5SDK8									
2008-	1DZ,ZZ	12	2.7	28100-23660-71	228000-3711		R	280-7051	Available in Reman Only
30-5SDK9									
2008-	1DZ,ZZ	12	2.7	28100-23660-71	228000-3711		R	280-7051	Available in Reman Only
60-8FDN15									
2006-	1DZ,ZZ	12	2.7	28100-23660-71	228000-3711		R	280-7051	Available in Reman Only
60-8FDN20									
2006-	1DZ,ZZ	12	2.7	28100-23660-71	228000-3711		R	280-7051	Available in Reman Only
60-8FDN25									
2006-	1DZ,ZZ	12	2.7	28100-23660-71	228000-3711		R	280-7051	Available in Reman Only
60-8FDN30									
2006-	1DZ,ZZ	12	2.7	28100-23660-71	228000-3711		R	280-7051	Available in Reman Only
62-8FDN15									
2006-	1DZ,ZZ	12	2.7	28100-23660-71	228000-3711		R	280-7051	Available in Reman Only
62-8FDN20									
2006-	1DZ,ZZ	12	2.7	28100-23660-71	228000-3711		R	280-7051	Available in Reman Only
62-8FDN25									
2006-	1DZ,ZZ	12	2.7	28100-23660-71	228000-3711		R	280-7051	Available in Reman Only
62-8FDN30									
2006-	1DZ,ZZ	12	2.7	28100-23660-71	228000-3711		R	280-7051	Available in Reman Only
70-8FDN20									
2006-	1DZ,ZZ	12	2.7	28100-23660-71	228000-3711		R	280-7051	Available in Reman Only



YEAR	ENGINE	VOLTS	KW	OEM PART NUMBER	NEW PART NUMBER	SOLENOID ANGLE	TYPE	REMAN PART NUMBER	APPLICATION INFORMATION
TOYOTA (continued)									
70-8FDN25									
2006-	1DZ,ZZ	12	2.7	28100-23660-71	228000-3711		R	280-7051	Available in Reman Only
70-8FDN30									
2006-	1DZ,ZZ	12	2.7	28100-23660-71	228000-3711		R	280-7051	Available in Reman Only
72-8FDN20									
2006-	1DZ,ZZ	12	2.7	28100-23660-71	228000-3711		R	280-7051	Available in Reman Only
72-8FDN25									
2006-	1DZ,ZZ	12	2.7	28100-23660-71	228000-3711		R	280-7051	Available in Reman Only
72-8FDN30									
2006-	1DZ,ZZ	12	2.7	28100-23660-71	228000-3711		R	280-7051	Available in Reman Only
8FDU15									
2006-	1DZ	12	2.7	28100-23660-71	228000-3711		R	280-7051	Available in Reman Only
8FDU18									
2006-	1DZ	12	2.7	28100-23660-71	228000-3711		R	280-7051	Available in Reman Only
8FDU20									
2006-	1DZ	12	2.7	28100-23660-71	228000-3711		R	280-7051	Available in Reman Only
8FDU25									
2006-	1DZ	12	2.7	28100-23660-71	228000-3711		R	280-7051	Available in Reman Only
8FDU30									
2006-	1DZ	12	2.7	28100-23660-71	228000-3711		R	280-7051	Available in Reman Only
8FDU32									
2006-	1DZ	12	2.7	28100-23660-71	228000-3711		R	280-7051	Available in Reman Only
02-8FDF15									
2007-	1DZ	12	2.7	28100-23660-71	228000-3711		R	280-7051	Available in Reman Only
02-8FDF18									
2007-	1DZ	12	2.7	28100-23660-71	228000-3711		R	280-7051	Available in Reman Only
02-8FDF20									
2007-	1DZ	12	2.7	28100-23660-71	228000-3711		R	280-7051	Available in Reman Only
02-8FDF25									
2007-	1DZ	12	2.7	28100-23660-71	228000-3711		R	280-7051	Available in Reman Only
02-8FDF30									
2007-	1DZ	12	2.7	28100-23660-71	228000-3711		R	280-7051	Available in Reman Only
02-8FDKF20									
2007-	1DZ	12	2.7	28100-23660-71	228000-3711		R	280-7051	Available in Reman Only
5FG33									
1989-1994	3F..MTM	12	1.4	28100-31972-71	128000-0472		IIR	280-7004	Available in Reman Only
1988-1989	3F..MTM	12	1.4	28100-31972-71	128000-0472		IIR	280-7004	Available in Reman Only
5FG70									
2007-	1FZ	12	1.4	28100-32850-71	228000-3931		RA	280-7015	Available in Reman Only
42-7FD35									
2007-	14Z..ATM	12	2.5	28100-40291-71	128000-0974		R	280-7005	Available in Reman Only
42-7FD40									
2007-	14Z..ATM	12	2.5	28100-40291-71	128000-0974		R	280-7005	Available in Reman Only

STARTER APPLICATIONS



YEAR	ENGINE	VOLTS	KW	OEM PART NUMBER	NEW PART NUMBER	SOLENOID ANGLE	TYPE	REMAN PART NUMBER	APPLICATION INFORMATION
TOYOTA (continued)									
42-7FD45									
2007-	14Z..ATM	12	2.5	28100-40291-71	128000-0974		R	280-7005	Available in Reman Only
42-7FDA50									
2007-	14Z..ATM	12	2.5	28100-40291-71	128000-0974		R	280-7005	Available in Reman Only
42-7FDK40									
2007-	14Z..ATM	12	2.5	28100-40291-71	128000-0974		R	280-7005	Available in Reman Only
42-7FD35									
2005-2007	14Z..ATM	12	2.5	28100-40291-71	128000-0974		R	280-7005	Available in Reman Only
42-7FD40									
2005-2007	14Z..ATM	12	2.5	28100-40291-71	128000-0974		R	280-7005	Available in Reman Only
42-7FD45									
2005-2007	14Z..ATM	12	2.5	28100-40291-71	128000-0974		R	280-7005	Available in Reman Only
42-7FDA50									
2005-2007	14Z..ATM	12	2.5	28100-40291-71	128000-0974		R	280-7005	Available in Reman Only
42-7FDK40									
2005-2007	14Z..ATM	12	2.5	28100-40291-71	128000-0974		R	280-7005	Available in Reman Only
02-2TDU25									
2008-	1DZ	12	2.5	28100-40291-71	128000-0974		R	280-7005	Available in Reman Only
02-2FDC25									
1985-1986	2J (12V..UL-D)	12	2.5	28100-40291-71	128000-0974		R	280-7005	Available in Reman Only
1986-1988	2J (12V..UL-D)	12	2.5	28100-40291-71	128000-0974		R	280-7005	Available in Reman Only
30-8FG10									
2006-	4Y..MTM (OIL CLUTCH)	12	1.4	28300-22003-71	228000-4371		RA	280-7013	Available in Reman Only
30-8FG15									
2006-	4Y..MTM (OIL CLUTCH)	12	1.4	28300-22003-71	228000-4371		RA	280-7013	Available in Reman Only
30-8FG20									
2006-	4Y..MTM (OIL CLUTCH)	12	1.4	28300-22003-71	228000-4371		RA	280-7013	Available in Reman Only
30-8FG25									
2006-	4Y..MTM (OIL CLUTCH)	12	1.4	28300-22003-71	228000-4371		RA	280-7013	Available in Reman Only
30-8FG30									
2006-	4Y..MTM (OIL CLUTCH)	12	1.4	28300-22003-71	228000-4371		RA	280-7013	Available in Reman Only
30-8FGJ35									
2006-	4Y..MTM (OIL CLUTCH)	12	1.4	28300-22003-71	228000-4371		RA	280-7013	Available in Reman Only
8FGCSU20									
2006-	* (UL-LPS)	12	1.4	28300-22003-71	228000-4371		RA	280-7013	Available in Reman Only
8FGCU15									
2006-	* (UL-LPS)	12	1.4	28300-22003-71	228000-4371		RA	280-7013	Available in Reman Only



YEAR	ENGINE	VOLTS	kW	OEM PART NUMBER	NEW PART NUMBER	SOLENOID ANGLE	TYPE	REMAN PART NUMBER	APPLICATION INFORMATION
TOYOTA (continued)									
8FGCU18									
2006-	*(UL-LPS)	12	1.4	28300-22003-71	228000-4371		RA	280-7013	Available in Reman Only
8FGCU20									
2006-	4Y (UL-DS, UL-GS, UL-LPS)	12	1.4	28300-22003-71	228000-4371		RA	280-7013	Available in Reman Only
8FGCU25									
2006-	4Y (UL-DS, UL-GS, UL-LPS)	12	1.4	28300-22003-71	228000-4371		RA	280-7013	Available in Reman Only
8FGCU30									
2006-	4Y (UL-DS, UL-GS, UL-LPS)	12	1.4	28300-22003-71	228000-4371		RA	280-7013	Available in Reman Only
8FGCU32									
2006-	4Y (UL-DS, UL-GS, UL-LPS)	12	1.4	28300-22003-71	228000-4371		RA	280-7013	Available in Reman Only
8FGU15									
2006-	4Y (UL-DS, UL-GS, UL-LPS)	12	1.4	28300-22003-71	228000-4371		RA	280-7013	Available in Reman Only
8FGU18									
2006-	4Y (UL-DS, UL-GS, UL-LPS)	12	1.4	28300-22003-71	228000-4371		RA	280-7013	Available in Reman Only
8FGU20									
2006-	4Y (UL-DS, UL-GS, UL-LPS)	12	1.4	28300-22003-71	228000-4371		RA	280-7013	Available in Reman Only
8FGU25									
2006-	4Y (UL-DS, UL-GS, UL-LPS)	12	1.4	28300-22003-71	228000-4371		RA	280-7013	Available in Reman Only
8FGU30									
2006-	4Y (UL-DS, UL-GS, UL-LPS)	12	1.4	28300-22003-71	228000-4371		RA	280-7013	Available in Reman Only
8FGU32									
2006-	4Y (UL-DS, UL-GS, UL-LPS)	12	1.4	28300-22003-71	228000-4371		RA	280-7013	Available in Reman Only
02-2FDC25									
1980-1986	2J (UL-DS) [24V]	24	4.5	28300-22060-71	028000-6014		R	280-7059	Available in Reman Only
02-2FDC30									
1980-1986	2J (UL-DS)	24	4.5	28300-22060-71	028000-6014		R	280-7059	Available in Reman Only
02-2FDC25									
1986-1988	2J (UL-DS) [24V]	24	4.5	28300-22061-71	028000-6014		R	280-7059	Available in Reman Only
02-2FDC30									
1986-1988	2J (UL-DS)	24	4.5	28300-22061-71	028000-6014		R	280-7059	Available in Reman Only
02-2FDC25									
1980-1986	2J (UL-DS) [24V]	24	4.5	28300-22061-71	028000-6014		R	280-7059	Available in Reman Only

STARTER APPLICATIONS



YEAR	ENGINE	VOLTS	KW	OEM PART NUMBER	NEW PART NUMBER	SOLENOID ANGLE	TYPE	REMAN PART NUMBER	APPLICATION INFORMATION
TOYOTA (continued)									
02-2FDC30									
1980-1986	2J (UL-DS)	24	4.5	28300-22061-71	028000-6014		R	280-7059	Available in Reman Only
02-2FDC25									
1986-1988	2J (UL-DS) [24V]	24	4.5	28300-22062-71	028000-6014		R	280-7059	Available in Reman Only
02-2FDC30									
1986-1988	2J (UL-DS)	24	4.5	28300-22062-71	028000-6014		R	280-7059	Available in Reman Only
70-8FD20									
2006-	2Z..MTM (OIL CLUTCH)	12	2.7	28300-23660-71	228000-3721		R	280-7061	Available in Reman Only
70-8FD25									
2006-	2Z..MTM (OIL CLUTCH)	12	2.7	28300-23660-71	228000-3721		R	280-7061	Available in Reman Only
70-8FD30									
2006-	2Z..MTM (OIL CLUTCH)	12	2.7	28300-23660-71	228000-3721		R	280-7061	Available in Reman Only
70-8FDJ35									
2006-	2Z..MTM (OIL CLUTCH)	12	2.7	28300-23660-71	228000-3721		R	280-7061	Available in Reman Only
60-8FD10									
2006-	1DZ..MTM (OIL CLUTCH)	12	2.7	28300-23660-71	228000-3721		R	280-7061	Available in Reman Only
60-8FD15									
2006-	1DZ..MTM (OIL CLUTCH)	12	2.7	28300-23660-71	228000-3721		R	280-7061	Available in Reman Only
60-8FD20									
2006-	1DZ..MTM (OIL CLUTCH)	12	2.7	28300-23660-71	228000-3721		R	280-7061	Available in Reman Only
60-8FD25									
2006-	1DZ..MTM (OIL CLUTCH)	12	2.7	28300-23660-71	228000-3721		R	280-7061	Available in Reman Only
60-8FD30									
2006-	1DZ..MTM (OIL CLUTCH)	12	2.7	28300-23660-71	228000-3721		R	280-7061	Available in Reman Only
8FDU15									
2006-	1DZ (UL-DS, UL-GS, UL-LPS)	12	2.7	28300-23660-71	228000-3721		R	280-7061	Available in Reman Only
8FDU18									
2006-	1DZ (UL-DS, UL-GS, UL-LPS)	12	2.7	28300-23660-71	228000-3721		R	280-7061	Available in Reman Only
8FDU20									
2006-	1DZ (UL-DS, UL-GS, UL-LPS)	12	2.7	28300-23660-71	228000-3721		R	280-7061	Available in Reman Only



YEAR	ENGINE	VOLTS	KW	OEM PART NUMBER	NEW PART NUMBER	SOLENOID ANGLE	TYPE	REMAN PART NUMBER	APPLICATION INFORMATION
TOYOTA (continued)									
8FDU25									
2006-	1DZ (UL-DS, UL-GS, UL-LPS)	12	2.7	28300-23660-71	228000-3721		R	280-7061	Available in Reman Only
8FDU30									
2006-	1DZ (UL-DS, UL-GS, UL-LPS)	12	2.7	28300-23660-71	228000-3721		R	280-7061	Available in Reman Only
8FDU32									
2006-	1DZ (UL-DS, UL-GS, UL-LPS)	12	2.7	28300-23660-71	228000-3721		R	280-7061	Available in Reman Only
TUG MANUFACTURING									
GROUND SUPPORT EQUIPMENT									
	Ford 4.9L	12	1.8	2585289C91	228000-8432		RA	280-8009	
UNIVERSAL									
ATOMIC FOUR (4 CYL. MARINE)									
1980	5432 (Kubota)	12	1.4	299574	028000-6261		R	9722809-102	
VERSATILE									
1988	CDC 4 cyl. 3.9L 256/276	12	2.5	89332	128000-2273		R		
VOLVO									
ALL									
1998-2006	Cummins ISM	12	5.0		428000-4420		R		
1994-2006	Detroit Series 60	12	5.0		428000-4430		R		
1994-2002	Cummins N14	12	5.0		428000-4440		R		
1994-2006	VE	12	5.0		428000-5430		R		
VOLVO WHITE									
1986	Autocar (3306 eng)	24	8.0	1990359	LAY42800-0060		P		
CONVENTIONAL									
1983-1985	Cummins 855	24	8.0	1990344	LAY42800-0070	38	P		
HIGH CABOVER									
1983-1985	Cummins 855	24	8.0	1990344	LAY42800-0070	38	P		
INTEGRAL SLEEPER									
1983-1985	Cummins 855	24	8.0	1990344	LAY42800-0070	38	P		
XPEDITOR									
1983-1985	Cummins 855	24	8.0	1990344	LAY42800-0070	38	P		
1986	Autocar (6-71 Engine) 24 Option	24	8.0	1990344	LAY42800-0070	38	P		
1986	Autocar (6V-92 Engine) 24 Option	24	8.0	1990344	LAY42800-0070	38	P		

STARTER APPLICATIONS



YEAR	ENGINE	VOLTS	KW	OEM PART NUMBER	NEW PART NUMBER	SOLENOID ANGLE	TYPE	REMAN PART NUMBER	APPLICATION INFORMATION
VOLVO WHITE (continued)									
1986	Autocar (3406 Engine) 24 Option	24	8.0	1990344	LAY42800-0070	38	P		
1986	Autocar (855 Engine) 24 Option	24	8.0	1990344	LAY42800-0070	38	P		
1986	White	24	8.0	1990344	LAY42800-0070	38	P		
WAUKESHA ENGINES									
1979-1985	F1197G-24	24	8.0	1114903	LAY42800-0070	308	P		
1975-1978	L-5792D (12 cyl. Diesel-CW Rotation, 5.12 Diam. Frame)	24	8.0	1113825	LAY42800-0070	308	P		
1974-1978	H-1077G (Gas)	24	8.0	1113825	LAY42800-0070	308	P		
1974-1978	H-1077D (Diesel) 5.12 Frame	24	8.0	1113825	LAY42800-0070	308	P		
1970-1978	L-1616G (Gas)	24	8.0	1113825	LAY42800-0070	308	P		
1970-1978	L1616D(Dsl), 5.12Frm	24	8.0	1113825	LAY42800-0070	308	P		
1970-1978	P-2154G (Gas)	24	8.0	1113825	LAY42800-0070	308	P		
1970-1978	P-2154D(Dsl) 5.12Frm	24	8.0	1113825	LAY42800-0070	308	P		
1970-1978	F-1197G(24)	24	8.0	1113825	LAY42800-0070	308	P		
1970-1978	F-2895 (6 cyl)	24	8.0	1113825	LAY42800-0070	308	P		
1970-1978	F-3521 (6 cyl. - CW Rotation)	24	8.0	1113825	LAY42800-0070	308	P		
1970-1974	L-5100D, L-5790D (12 cyl. Diesel, CW Rotation, 5.12 Frame)	24	8.0	1113825	LAY42800-0070	308	P		
WESTERN STAR									
1975-1978	CAT 3406	24	8.0	1113952	LAY42800-0070	308	P		
1975-1978	Cummins V555	24	8.0	1113952	LAY42800-0070	308	P		
1975-1978	Cummins V903	24	8.0	1113952	LAY42800-0070	308	P		
1975-1978	Cummins NH/NTC/NTA	24	8.0	1113952	LAY42800-0070	308	P		
1975-1978	DDAD 6V-71	24	8.0	1113952	LAY42800-0070	308	P		
1975-1978	DDAD 8V-71	24	8.0	1113952	LAY42800-0070	308	P		
1975-1978	DDAD 6V-92	24	8.0	1113952	LAY42800-0070	308	P		
1974-1982	6-71	24	8.0	1113952, 1113958	LAY42800-0070	308	P		
1974-1982	6V-92	24	8.0	1113952, 1113958	LAY42800-0070	308	P		
1974-1982	8V-71	24	8.0	1113952, 1113958	LAY42800-0070	308	P		
1974-1982	CAT 3406	24	8.0	1113952, 1113958	LAY42800-0070	308	P		
1974-1982	NH/NTA/NTC/PT	24	8.0	1113952, 1113958	LAY42800-0070	308	P		
1974-1982	VT-555	24	8.0	1113952, 1113958	LAY42800-0070	308	P		
1974-1982	VT-903	24	8.0	1113952, 1113958	LAY42800-0070	308	P		
1974	Cummins NTC	24	8.0	1113952	LAY42800-0070	308	P		
1974	DDAD 8V-71	24	8.0	1113952	LAY42800-0070	308	P		
WHITE									
CONTINENTAL BAKING									
1989	3.7L Diesel, D2300	12	2.5	40-250042	128000-2253		R		



YEAR	ENGINE	VOLTS	kW	OEM PART NUMBER	NEW PART NUMBER	SOLENOID ANGLE	TYPE	REMAN PART NUMBER	APPLICATION INFORMATION
WHITE (continued)									
CONTINENTAL BAKING (continued)									
1989	3.7L Diesel, D2300	12	2.5	40-2500442	128000-2253		R		
1994	G1600	12	1.4	40-2507901	228000-4471		RA		
WIDE USE									
GENERAL									
1990		12	1.0		128000-3001		R		
BUS-C									
1990	General	24	4.5		128000-6442		R		
1990	General	24	4.5		128000-6442		R		
WISCONSIN ROBBINS									
FUJI HEAVY IND. (SUBARU)									
1986	EY-44B, EY-44D	12	0.6	209-70502-00	128000-3251		GA		
1992	TM27	12	1.4	TM27M00513	228000-2151		RA		
1992	TM27	12	1.4	TM27M00515	228000-2171		RA		
1992	TM27	12	1.4	TM27M00516	228000-2181		RA		
YALE									
	FG35	12	1.4	911216600	228000-1341		RA	280-7069	
1995	V6 3.9L	12	1.4	9143206	228000-5450		RA		
1996	GM 4.3L	12	2.0	1383240 (Hyster)	228000-5862		R		
GP/GLP 135-155									
1996	GM 4.3L	12	2.0	8504304	228000-5862		R	280-7041	Wet Clutch
GDP 135-55									
1998	Perkins 1000-4	12	2.7	1453060	228000-6401		R		
1998	Perkins 1000-4	12	2.7	8504305	228000-6401			280-7043	
GP70-120 LJ									
1999	Perkins 1000-4	12	2.7	1388721	228000-7810		R	280-7045	Wet Clutch
GP70-120 MJ									
1999	Mitsubishi S65	12	2.7	1388721	228000-7810		R	280-7045	Wet Clutch
1992-1997	FE, VA, F2	12	0.8	FESE-18-400			DD	280-9020	Available in Reman Only
1985-Up	XA, HA Mazda Diesel	12	2.2	4840-18-400B			OSGR	280-9022	Available in Reman Only
YAMAHA									
1985-1989		12	0.7	1UY-81800-51	128000-3762		B		
1987		12	0.6	2NL-81800-51	128000-5142		BA		
YANMAR									
JOHN DEERE									
1983	3T90	12	2.5	121420-77010	028000-5662		R		

STARTER APPLICATIONS



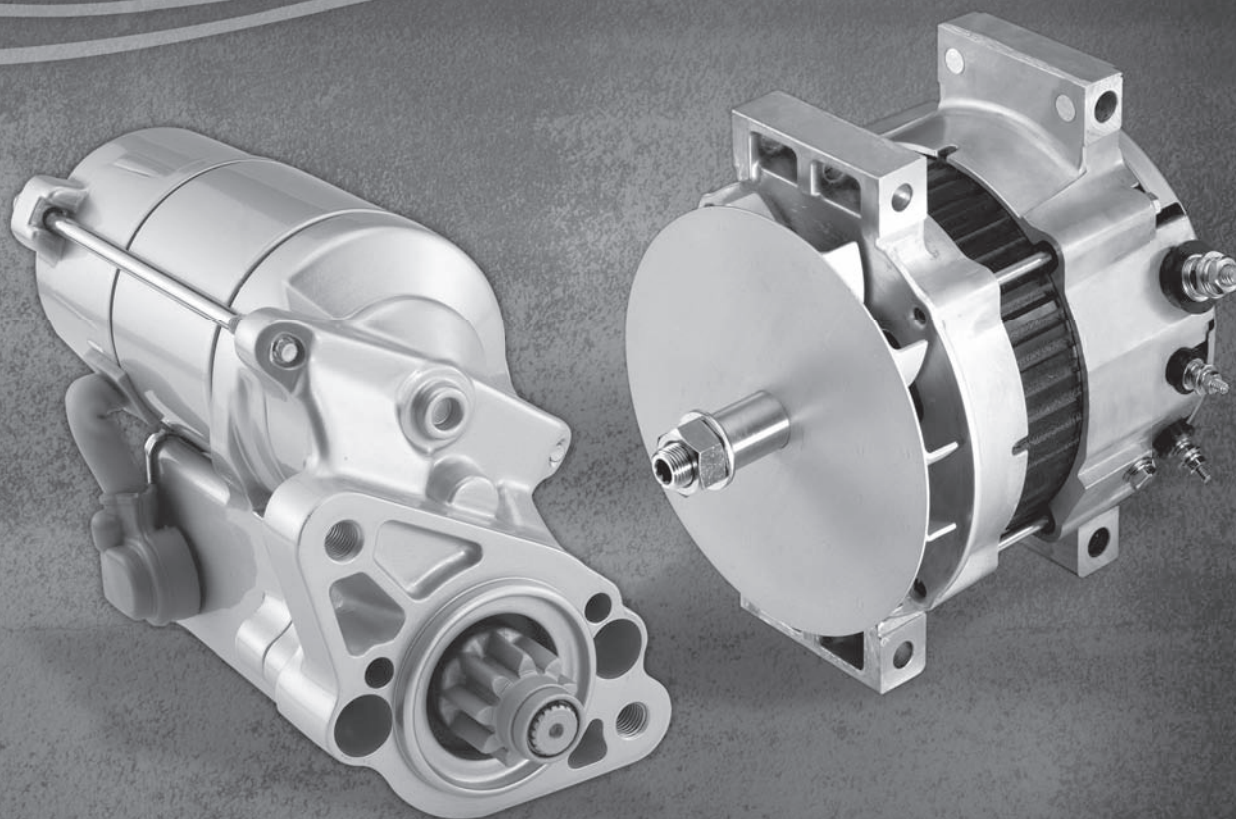
YEAR	ENGINE	VOLTS	KW	OEM PART NUMBER	NEW PART NUMBER	SOLENOID ANGLE	TYPE	REMAN PART NUMBER	APPLICATION INFORMATION
YANMAR (continued)									
JOHN DEERE 750									
1978-1983	3T80J	12	1.4	121120-77010	028000-5730		R	9712809-071	On engines built prior to 7/83
1978-1983	3T80UJ	12	1.4	121120-77010	028000-5730		R	9712809-071	On engines built prior to 7/83
JOHN DEERE 850									
1978-1983	3T80J	12	1.4	121120-77010	028000-5730		R	9712809-071	On engines built prior to 7/83
1978-1983	3T80UJ	12	1.4	121120-77010	028000-5730		R	9712809-071	On engines built prior to 7/83
THERMO KING									
1977-1983	2T75LT	12	1.4	171022-77010	028000-5800		R		
JOHN DEERE									
1983	3T80J	12	1.4	121120-77011	128000-0710		IIR	9712809-071	On engines built prior to 7/83
1983	3T80UJ	12	1.4	121120-77011	128000-0710		IIR	9712809-071	On engines built prior to 7/83
1984	2T72HL	12	1.4	171022-77011	128000-0721		IIR	9712809-072	
1983	2T80	12	1.0	124520-77011	128000-0741		R	9712809-074	
JOHN DEERE									
1984	3T90	12	2.5	121420-77011	128000-0793		R	9712809-079	
1984	3TNA72	12	1.0	119620-77011	128000-1152		R		
1984	3TN78L	12	2.0	171353-77010	128000-2070		R	9712809-207	
1986	3SDK3	12	1.4	119641-77010	128000-3410		IIR		
1986	3SDK4	12	1.4	119641-77010	128000-3410		IIR		
1986	3TNA68	12	1.4	119641-77010	128000-3410		IIR		
JOHN DEERE 1050									
1988	4TN82	12	2.0	129429-77010	128000-7301		R		
JOHN DEERE 950									
1988	4TN82	12	2.0	129429-77010	128000-7301		R		
1991	3TN66E	12	1.4	119285-77010	228000-0111		IIR		
1991	2TN66E	12	1.0	119385-77010	228000-0142		R		
1991	6CX	12	4.0	127675-77010	228000-0520		IIF		
1993	3TNC74	12	0.9	119653-77010	228000-2560		G		
1993	BDG506S	12	1.0	119305-77010	228000-3610		R		
1994	4TNE88	12	1.4	129407-77010	228000-3732		RA		
1994	3T80	12	1.4	121120-77012	228000-3781		RA		
1994	3TNA68	12	1.4	119641-77011	228000-3790		RA		
1994	3TN66E	12	1.4	119209-77010	228000-3802		RA	9722809-380	
1994	3GP88Z	12	1.4	124795-77010	228000-4010		RA		
1996	2TN66E	12	0.8	119255-77010	228000-5750		P		
1996	6LP	12	2.5	119773-77010	228000-6291		R		



YEAR	ENGINE	VOLTS	kW	OEM PART NUMBER	NEW PART NUMBER	SOLENOID ANGLE	TYPE	REMAN PART NUMBER	APPLICATION INFORMATION
YANMAR (continued)									
JOHN DEERE 3014									
	3TN84	12	1.2	129129-77010	228000-0251		RA	9722809-025	Available in Reman Only
JOHN DEERE 3015									
	3TN84	12	1.2	129129-77010	228000-0251		RA	9722809-025	Available in Reman Only
1991	3TN84	12	1.2	129129-77010	228000-0251		RA	9722809-025	Available in Reman Only
JOHN DEERE 4019									
	3TN84	12	1.2	129129-77010	228000-0251		RA	9722809-025	Available in Reman Only
J.D. 1435 MOWER & 4100 SERIES TRACTOR									
	3TNE74	12	1.1	JD: AM809215, AM879204, M809215; YM: 119626-77011	228000-7471		P	9722809-747	Available in Reman Only
YARD HUSTLER									
1986	CDC 6BTA	12	3.0		128000-4220		R	9712809-422	

DENSO STARTER & ALTERNATOR DELIVERS

PRODUCT INFORMATION



The material contained in this catalog is based on information available at the time of publication, and while DENSO has taken great care to ensure the accuracy of information regarding each item, DENSO assumes no responsibility for loss or damage resulting from reliance on any information contained in this catalog. All specifications are subject to change without notice.

ALTERNATOR PHOTO GUIDE



021000-4711

Amp: 20

Volt: 24

Applications:

1979 Mitsubishi

1974-Up Mitsui Deutz



100211-0292

Amp: 90

Volt: 12

Reman #: 9700211-029

Applications:

1987 John Deere



021000-6840

Amp: 25

Volt: 12

Reman #: 9702109-684

Applications:

1976 Kubota

Notes:

Available in reman only



100211-0890

Amp: 50

Volt: 24

Reman #: 9761219-610

Applications:

1982-96 CAT



100211-0230

Amp: 40

Volt: 12

Applications:

1979 CAT 931 Trax Cav,

1979 CAT Bulldozer,

1985-93 CAT 951 Trax Cav



100211-1630

Amp: 40

Volt: 12

Reman #: 9760218-163

Applications:

1986 Kubota

Notes:

Available in reman only



•All specifications are subject to change without notice.

For updates visit www.DensoHeavyDuty.com



100211-1680

Amp: 40

Volt: 12

Applications:

1987 Ishikawajima



100211-6050

Amp: 120

Volt: 12

Reman #: 9760218-605

Applications:

1988-89 John Deere 8560,

1988-89 John Deere 8760



100211-2360

Amp: 60

Volt: 12

Applications:

1986 Isuzu



100211-6420

Amp: 140

Volt: 12

Applications:

1991 John Deere



100211-4531

Amp: 40

Volt: 12

Applications:

1988 Yanmar



101211-1170

Amp: 40

Volt: 12

Applications:

1998 Yanmar 3TNE78



*All specifications are subject to change without notice.

For updates visit www.DensoHeavyDuty.com



101211-2240

Amp: 55
Volt: 12
Reman #: 9761219-224
Applications:
1993 Caterpillar Bulldozer



101211-3021

Amp: 50
Volt: 12
Applications:
1992 Mercury Marine



101211-2770

Amp: 55
Volt: 12
Applications:
1997 Caterpillar



101211-7780

Amp: 140
Volt: 12
Applications:
1997- John Deere Engines & Tractors



101211-2941

Amp: 60
Volt: 12
Applications:
1999 Komatsu



101211-7960

Amp: 60
Volt: 24
Reman #: 9761219-796
Applications:
1995-96 Komatsu XZN1306
2002-06 Komatsu PC220





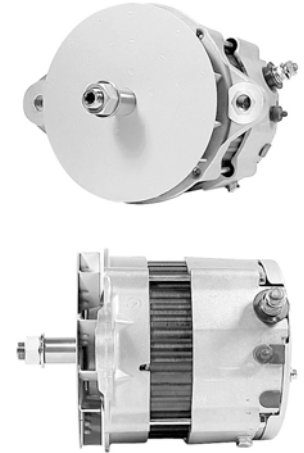
101211-8030

Amp: 130
Volt: 12
Applications:
Various



101211-8120

Amp: 130
Volt: 12
Applications:
Various



101211-8060

Amp: 130
Volt: 12
Applications:
Various



101211-8130

Amp: 50
Volt: 24
Applications:
Various



101211-8110

Amp: 105
Volt: 12
Applications:
Various



101211-8140

Amp: 65
Volt: 24
Applications:
Various



*All specifications are subject to change without notice.

For updates visit www.DensoHeavyDuty.com

ALTERNATOR PHOTO GUIDE



101211-8380

Amp: 130
Volt: 12
Applications:
Various



102211-4050

Amp: 60
Volt: 24
Reman #: 9762219-405
Applications:
2002-06 Komatsu PC220



101211-8390

Amp: 130
Volt: 12
Applications:
Various



210-7000

Amp: 35
Volt: 12
Applications:
Toyota Lift Trucks Various



102211-1180

Amp: 90
Volt: 12
Applications:
1997- John Deere Engines & Tractors



210-7007

Amp: 50
Volt: 12
Applications:
Toyota Lift Trucks Various





210-7022

Amp: 50

Volt: 12

Applications:

Toyota Lift Trucks Various



9702109-862

Amp: 25

Volt: 12

Applications:

1979 Kubota

Notes:

Available in reman only



211-8000

Amp: 60

Volt: 12

Applications:



9760218-167

Amp: 40

Volt: 12

Applications:

1986 Kubota

Notes:

Available in reman only



9700211-029

Amp: 90

Volt: 12

Applications:

1982-92 John Deere



9760218-172

Amp: 65

Volt: 12

Applications:

1984 Isuzu



*All specifications are subject to change without notice.

For updates visit www.DensoHeavyDuty.com

ALTERNATOR PHOTO GUIDE



9760218-452

Amp: 30

Volt: 12

Applications:

1988 Kubota

Notes:

Available in reman only



9760218-605

Amp: 120

Volt: 12

Applications:

1988-89 John Deere 8560,

1988-89 John Deere 8760



9760218-464

Amp: 40

Volt: 12

Applications:

1988 Kubota

Notes:

Available in reman only



9760218-678

Amp: 45

Volt: 12

Applications:

1988 Kubota

Notes:

Available in reman only



9760218-465

Amp: 40

Volt: 12

Applications:

1988 Kubota

Notes:

Available in reman only



9760218-680

Amp: 45

Volt: 12

Applications:

1991 Kubota

Notes:

Available in reman only



•All specifications are subject to change without notice.

For updates visit www.DensoHeavyDuty.com



9760218-688

Amp: 45

Volt: 12

Applications:

1991 Kubota

Notes:

Available in reman only



9761219-610

Amp: 50

Volt: 24

Applications:

1982-96 CAT



*All specifications are subject to change without notice.

For updates visit www.DensoHeavyDuty.com

STARTER PHOTO GUIDE



028000-5730

UNIT TYPE: R

kW: 1.4

VOLT: 12

ROTATION: CW

PINION: 15

Reman #: 9712809-071

Applications:

1978-83 John Deere, 1978-83 Thermo King,
1978-83 Yanmar



028000-7471

UNIT TYPE: G

kW: .8

VOLT: 12

ROTATION: CW

PINION: 9

Reman #: 9702809-747

Applications:

1981 Kubota

Notes:

Available in reman only



028000-5884

UNIT TYPE: R

kW: 2.5

VOLT: 12

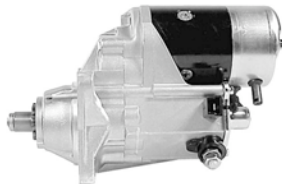
ROTATION: CW

PINION: 13

Reman #: 9702809-588

Applications:

1978 J.I. Case
1982-87 J.I. Case



028000-7481

UNIT TYPE: G

kW: .8

VOLT: 12

ROTATION: CW

PINION: 9

Reman #: 9702809-748

Applications:

1981 Kubota

Notes:

Available in reman only



028000-7462

UNIT TYPE: G

kW: .8

VOLT: 12

ROTATION: CW

PINION: 9

Reman #: 9702809-746

Applications:

1981 Kubota, 1985 Onan

Notes:

Available in reman only



028000-8321

UNIT TYPE: R

kW: 1

VOLT: 12

ROTATION: CW

PINION: 9

Reman #: 9702809-832

Applications:

1981 Kubota

Notes:

Available in reman only



•All specifications are subject to change without notice.

For updates visit www.DensoHeavyDuty.com

STARTER PHOTO GUIDE



028000-8411

UNIT TYPE: B

kW: .6

VOLT: 12

ROTATION: CC

PINION: 14

Applications:

Honda



128000-0590

UNIT TYPE: R

kW: 1.4

VOLT: 12

ROTATION: CW

PINION: 9

Reman #: 280-7023

Applications:

1985-Up CAT



028000-9820

UNIT TYPE: IIR

kW: 1.4

VOLT: 12

ROTATION: CW

PINION: 9

Reman #: 280-7026

Applications:

1984 CAT



128000-0710

UNIT TYPE: IIR

kW: 1.4

VOLT: 12

ROTATION: CW

PINION: 15

Reman #: 9712809-071

Applications:

1983 John Deere, 1983 Thermo King, 1983 Yanmar



128000-0545

UNIT TYPE: R

kW: 2.5

VOLT: 12

ROTATION: CW

PINION: 13

Reman #: 9712809-021

Applications:

1984 Cummins



128000-0960

UNIT TYPE: R

kW: 2

VOLT: 12

ROTATION: CW

PINION: 9

Reman #: 280-7040

Applications:

1984 Isuzu, 1984 Thermo King, 1985-Up Hyster



*All specifications are subject to change without notice.

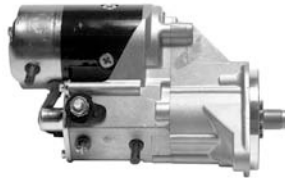
For updates visit www.DensoHeavyDuty.com

STARTER PHOTO GUIDE



128000-1002

UNIT TYPE: R
kW: 4.5
VOLT: 24
ROTATION:
PINION:
Reman #: 280-7034
Applications:
1984- Komatsu Lift Truck



128000-1062

UNIT TYPE: R
kW: 2.5
VOLT: 12
ROTATION: CW
PINION: 10
Reman #: 280-7030
Applications:
1984-85 CAT, 1984 Perkins



128000-1040

UNIT TYPE: R
kW: 2
VOLT: 12
ROTATION: CW
PINION: 9
Reman #: 280-7025
Applications:
1984-Up CAT



128000-1152

UNIT TYPE: R
kW: 1
VOLT: 12
ROTATION: CW
PINION: 11
Applications:
1984 Yanmar



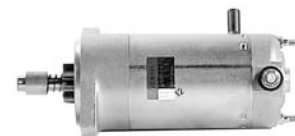
128000-1050

UNIT TYPE: R
kW: 1.4
VOLT: 12
ROTATION: CW
PINION: 10
Reman #: 280-7020
Applications:
1985-Up CAT



128000-1671

UNIT TYPE: B
kW: .6
VOLT: 12
ROTATION:
PINION:
Applications:
1998 Bombardier Citation



•All specifications are subject to change without notice.

For updates visit www.DensoHeavyDuty.com

STARTER PHOTO GUIDE



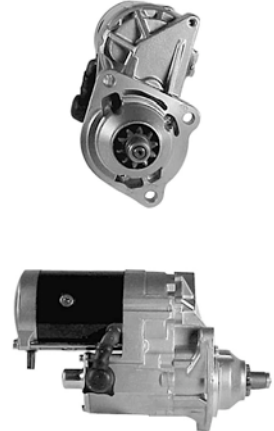
128000-1770

UNIT TYPE: IIR
kW: 1.4
VOLT: 12
ROTATION: CW
PINION: 10
Applications:
1984 Teledyne, Tennant



128000-2563

UNIT TYPE: R
kW: 5.5
VOLT: 24
ROTATION: CW
PINION: 10
Applications:
1985 J.I. Case,
1987-93 J.I. Case



128000-2253

UNIT TYPE: R
kW: 2.5
VOLT: 12
ROTATION: CW
PINION: 10
Applications:
1989 White



128000-4084

UNIT TYPE: R
kW: 2.5
VOLT: 12
ROTATION: CW
PINION: 10
Reman #: 280-7024
Applications:
1989 Caterpillar



128000-2280

UNIT TYPE: R
kW: 2
VOLT: 12
ROTATION: CW
PINION: 9
Applications:
1985 Carrier, 1985 Thermo King



128000-6870

UNIT TYPE: IIR
kW: 1.4
VOLT: 12
ROTATION: CW
PINION: 10
Reman #: 280-7021
Applications:
1988-Up CAT



STARTER PHOTO GUIDE



128000-7070

UNIT TYPE: G
kW: .8
VOLT: 12
ROTATION: CW
PINION: 11

Applications:
1988 Kawasaki Heavy Industries



128000-8294

UNIT TYPE: R
kW: 2.5
VOLT: 12
ROTATION: CW
PINION: 10

Reman #: 9712809-829
Applications:
1996-Up Atlas Copco, 1992 John Deere



128000-7480

UNIT TYPE: GA
kW: .6
VOLT: 12
ROTATION: CW
PINION: 9
Reman #: 9712809-748

Applications:
1989 Kohler



128000-8304

UNIT TYPE: R
kW: 4.5
VOLT: 24
ROTATION:
PINION:

Applications:
1991 John Deere 4239 Engine



128000-7740

UNIT TYPE: GA
kW: .6
VOLT: 12
ROTATION: CW
PINION: 9

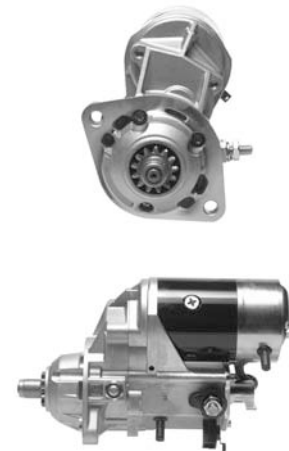
Applications:
1989 Ishikawajima



128000-9504

UNIT TYPE: R
kW: 2.5
VOLT: 12
ROTATION: CW
PINION: 13

Reman #: 9712809-950
Applications:
1984-Up Cummins



•All specifications are subject to change without notice.

For updates visit www.DensoHeavyDuty.com

STARTER PHOTO GUIDE



228000-1022

UNIT TYPE: RA
kW: 1.4
VOLT: 12
ROTATION: CW
PINION: 9
Reman #: 9722809-102
Applications:
1992 Kubota
Notes:
Available in reman only



228000-1832

UNIT TYPE: R
kW: 4.5
VOLT: 24
ROTATION:
PINION:
Reman #: 9722809-183
Applications:
1992 Caterpillar w/ Perkins 100



228000-1071

UNIT TYPE: RA
kW: 1.4
VOLT: 12
ROTATION: CW
PINION: 11
Reman #: 9722809-107
Applications:
1992 Carrier, 1992 Kubota
Notes:
Available in reman only



228000-1953

UNIT TYPE: R
kW: 2.7
VOLT: 12
ROTATION: CW
PINION: 13
Reman #: 280-8000
Applications:
1994-97 Blue Bird, 1990 Cummins, 1994-00
El Dorado, 1994-Up Freightliner, 1993-Up
Ottawa



228000-1091

UNIT TYPE: R
kW: 2
VOLT: 12
ROTATION: CW
PINION: 11
Applications:
1992 Ford



228000-2151

UNIT TYPE: RA
kW: 1.4
VOLT: 12
ROTATION: CW
PINION: 10
Reman #: 280-7070
Applications:
1992 Teledyne



*All specifications are subject to change without notice.

For updates visit www.DensoHeavyDuty.com

STARTER PHOTO GUIDE



228000-2201

UNIT TYPE: R
kW: 5.5
VOLT: 24
ROTATION:
PINION:
Applications:
1993 Cummins ISB 5.9L



228000-2640

UNIT TYPE: GA
kW: 6
VOLT: 12
ROTATION: CW
PINION: 9
Reman #: 9722809-264
Applications:
1993 Kohler



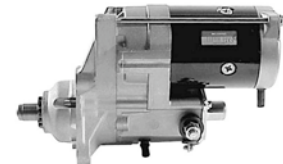
228000-2292

UNIT TYPE: R
kW: 2.7
VOLT: 12
ROTATION: CW
PINION: 13
Reman #: 9722809-229
Applications:
1994-2001 Dodge



228000-3311

UNIT TYPE: R
kW: 3
VOLT: 12
ROTATION: CW
PINION: 13
Applications:
1986- Up Cummins 1993-97 Thomas Built Bus



228000-2552

UNIT TYPE: RA
kW: 1.2
VOLT: 12
ROTATION: CW
PINION: 18
Applications:
1993 Harley Davidson



228000-3802

UNIT TYPE: RA
kW: 1.4
VOLT: 12
ROTATION: CW
PINION: 15
Reman #: 9722809-380
Applications:
1994 Yanmar



•All specifications are subject to change without notice.

For updates visit www.DensoHeavyDuty.com

STARTER PHOTO GUIDE



228000-3811

UNIT TYPE: R

kW: 2.7

VOLT: 12

ROTATION: CW

PINION: 13

Applications:

1994-97 Blue Bird, 1994 Cummins, 1994 El Dorado, 1994-97 Thomas Built Bus



228000-5311

UNIT TYPE: R

kW: 4

VOLT: 12

ROTATION: CW

PINION: 10

Reman #: 280-8002

Applications:

1997-Up Blue Bird, 1995-Up Cummins, 1995-Up El Dorado, 1996-Up Thomas Built Bus



228000-4671

UNIT TYPE: R

kW: 2.7

VOLT: 12

ROTATION: CW

PINION: 13

Reman #: 280-8001

Applications:

1994-97 Blue Bird, 1994-97 Cummins, 1994 Komatsu



228000-5811

UNIT TYPE: R

kW: 2.7

VOLT: 12

ROTATION: CW

PINION: 11

Applications:

1996 Melroe-Bobcat



228000-5123

UNIT TYPE: RA

kW: 2

VOLT: 12

ROTATION: CW

PINION: 11

Reman #: 9722809-512

Applications:

1995 Ishikawajima



228000-5851

UNIT TYPE: R

kW: 4.8

VOLT: 12

ROTATION: CW

PINION: 10

Reman #: 280-8019

Applications:

1996-Up Blue Bird, 1996-Up CAT, 1997 Ford, 1997-Up Freightliner Custom Chassis, 1998 GMC, 1996-Up Ottawa, 1998 Sterling, 1996-Up Thomas Built Bus



*All specifications are subject to change without notice.

For updates visit www.DensoHeavyDuty.com

STARTER PHOTO GUIDE



228000-5862

UNIT TYPE: R
kW: 2
VOLT: 12
ROTATION: CW
PINION: 10
Reman #: 280-7041
Applications:
1996-Up Hyster



228000-6511

UNIT TYPE: R
kW: 4
VOLT: 12
ROTATION: CW
PINION: 10
Applications:
1996-Up Cummins, 1996-Up Ottawa
Notes:
Wet Clutch



228000-6401

UNIT TYPE: R
kW: 2.7
VOLT: 12
ROTATION: CW
PINION: 10
Reman #: 280-7043
Applications:
1996-Up Hyster



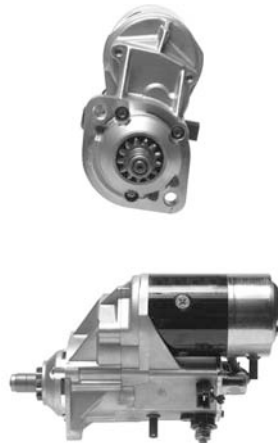
228000-6532

UNIT TYPE: R
kW: 4
VOLT: 12
ROTATION: CW
PINION: 11
Applications:
1997 John Deere



228000-6471

UNIT TYPE: R
kW: 2.7
VOLT: 12
ROTATION: CW
PINION: 13
Applications:
1996 John Deere



228000-6552

UNIT TYPE: R
kW: 4.8
VOLT: 12
ROTATION: CW
PINION: 11
Applications:
1996 John Deere



STARTER PHOTO GUIDE



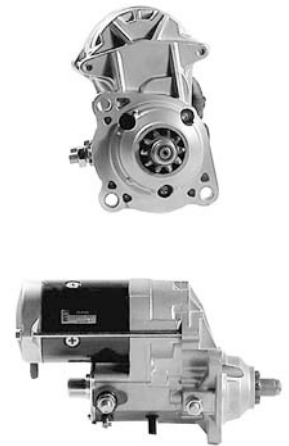
228000-6641

UNIT TYPE: R
kW: 4.5
VOLT: 24
ROTATION: CW
PINION: 10
Reman #: 9722809-664
Applications:
1997 Cummins, 1997 Komatsu



228000-7121

UNIT TYPE: R
kW: 4
VOLT: 12
ROTATION: CW
PINION: 10
Reman #: 280-8004
Applications:
1996-Up CAT, 1997-Up Thomas Built Bus



228000-6671

UNIT TYPE: R
kW: 4.5
VOLT: 24
ROTATION: CW
PINION: 10
Reman #: 9722809-667
Applications:
1990-91 Cummins, 1997 Komatsu



228000-7301

UNIT TYPE: R
kW: 2.7
VOLT: 12
ROTATION: CW
PINION: 13
Reman #: 280-8005
Applications:
1997-Up Blue Bird, 1997-Up Cummins, 1997-Up Thomas Built Bus



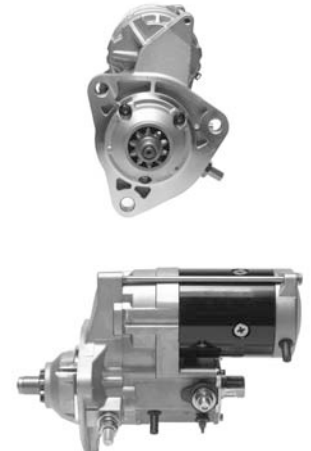
228000-6921

UNIT TYPE: RA
kW: 2
VOLT: 12
ROTATION: CW
PINION: 10
Applications:
1997 Melroe-Bobcat



228000-7371

UNIT TYPE: R
kW: 4
VOLT: 12
ROTATION: CW
PINION: 10
Reman #: 280-8020
Applications:
1998-03 International



*All specifications are subject to change without notice.

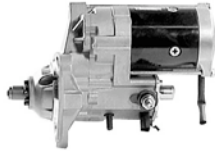
For updates visit www.DensoHeavyDuty.com

STARTER PHOTO GUIDE



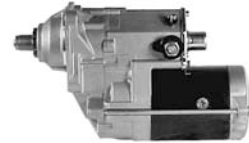
228000-7381

UNIT TYPE: R
kW: 7.5
VOLT: 24
ROTATION: CW
PINION: 13
Reman #: 280-8006
Applications:
1997-Up Cummins, 1997 Ottawa



228000-8410

UNIT TYPE: R
kW: 4
VOLT: 12
ROTATION: CW
PINION: 13
Reman #: 280-8007
Applications:
Ford, Navistar



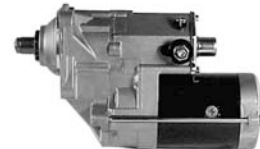
228000-7810

UNIT TYPE: R
kW: 2.7
VOLT: 12
ROTATION: CW
PINION: 10
Reman #: 280-7045
Applications:
1997-Up Hyster



228000-8420

UNIT TYPE: R
kW: 4
VOLT: 12
ROTATION: CW
PINION: 13
Reman #: 280-8008
Applications:
1995-00 Ford Powerstroke, Navistar



228000-8083

UNIT TYPE: R
kW: 4
VOLT: 12
ROTATION: CW
PINION: 11
Applications:
1998 John Deere



228000-8432

UNIT TYPE: RA
kW: 1.8
VOLT: 12
ROTATION: CW
PINION: 11
Reman #: 280-8009
Applications:
Ford



•All specifications are subject to change without notice.

For updates visit www.DensoHeavyDuty.com

STARTER PHOTO GUIDE



228000-8510

UNIT TYPE: R
kW: 4
VOLT: 12
ROTATION: CW
PINION: 10
Reman #: 280-8011
Applications:
Navistar



280-7002

UNIT TYPE: RA
kW: 1.4
VOLT: 12
ROTATION: CW
PINION: 9
Applications:
Toyota Lift Truck
Notes:
Available in reman only



228000-9010

UNIT TYPE: R
kW: 2
VOLT: 12
ROTATION: CW
PINION: 9
Reman #: 280-8022
Applications:
1999 Komatsu



280-7005

UNIT TYPE: R
kW: 2.5
VOLT: 12
ROTATION: CW
PINION: 11
Applications:
1983 - on Toyota



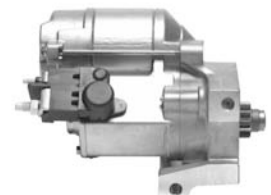
228000-9750

UNIT TYPE: R
kW: 4
VOLT: 12
ROTATION: CW
PINION: 11
Reman #: 280-8012
Applications:
CAT, Chevy Topkick, GMC Kodiak
Notes:
Mounted on passenger side



281-8000

UNIT TYPE: OSGR
kW: 1.4
VOLT: 12
ROTATION: CW
PINION: 11
Applications:
Various
Notes:
May not fit all applications



STARTER PHOTO GUIDE



281-8002

UNIT TYPE: R

kW: 1.4

VOLT: 12

ROTATION:

PINION:

Applications:

1994-2000 GM Trucks 4.3 & 5.7L

Notes:

May not fit all applications



428000-1600

UNIT TYPE: R

kW: 2.7

VOLT: 12

ROTATION: CW

PINION: 13

Reman #: 280-8018

Applications:

2002-Up Cummins, 2002-Up Freightliner

Custom Chassis,



428000-0071

UNIT TYPE: R

kW: 4

VOLT: 12

ROTATION: CW

PINION: 11

Applications:

2003-Up International



428000-1610

UNIT TYPE: R

kW: 4

VOLT: 12

ROTATION: CW

PINION: 10

Reman #: 280-8019

Applications:

2002-Up CAT, Freightliner Custom Chassis,

Thomas Built Bus



428000-0310

UNIT TYPE: R

kW: 2.7

VOLT: 12

ROTATION: CW

PINION: 11

Applications:

2002 Freightliner Custom Chassis



428000-1820

UNIT TYPE: R

kW: 1.2

VOLT: 12

ROTATION: CW

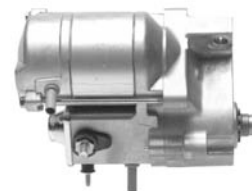
PINION:

Applications:

Various

Notes:

May not fit all applications



STARTER PHOTO GUIDE



428000-1881

UNIT TYPE: R

kW: 4

VOLT: 12

ROTATION: CW

PINION: 11

Applications:

2002 Freightliner Custom Chassis, Thomas
Built Bus



428000-4420

UNIT TYPE: R

kW: 5

VOLT: 12

ROTATION: CW

PINION: 10

Applications:

1998 - 2006 Freightliner
1998-2006 Sterling
1998-2006 International
1998 - 2006 Kenworth
1998-2006 Peterbilt
1998, 2002 Volvo



428000-2650

UNIT TYPE: R

kW: 2.2

VOLT: 12

ROTATION: CW

PINION: 9

Reman #: 280-8023

Applications:

Komatsu



428000-4430

UNIT TYPE: R

kW: 5

VOLT: 12

ROTATION: CW

PINION: 10

Applications:

1994-2003 Freightliner
1994-2006 International
1994-2006 Mack
1994-2006 Sterling
1994-1998 Kenworth
1994-1998 Peterbilt
1994-2006 Volvo



428000-2690

UNIT TYPE: R

kW: 4

VOLT: 12

ROTATION: CW

PINION: 10

Applications:

2004-Up International

Notes:

Wet Clutch, Ground Stud



428000-4440

UNIT TYPE: R

kW: 5

VOLT: 12

ROTATION: CW

PINION: 10

Applications:

1994-2002 Freightliner
1994-2002 Sterling
1994-2006 International
1994-2002 Kenworth
1994-2002 Peterbilt
1994-2002 Volvo



*All specifications are subject to change without notice.

For updates visit www.DensoHeavyDuty.com

STARTER PHOTO GUIDE



428000-4450

UNIT TYPE: R

kW: 5

VOLT: 12

ROTATION: CW

PINION: 11

Applications:

2002-2006 Freightliner
2002-2006 Sterling



428000-5230

UNIT TYPE: PA

kW: 3

VOLT: 12

ROTATION:

PINION:

Applications:

2007- Freightliner Custom Chassis w/ISB
2007- Sterling w/ISB



428000-5120

UNIT TYPE: PA

kW: 3

VOLT: 12

ROTATION:

PINION:

Applications:

2007- Bluebird Buss w/ ISB
2007- Capacity of Texas w/ISB
2007- Kenworth w/ PACCAR PX6
2007- Ottawa w/ ISB



428000-5430

UNIT TYPE: R

kW: 5

VOLT: 12

ROTATION: CW

PINION: 10

Applications:

1994-2006 Volvo



428000-5190

UNIT TYPE: R

kW: 5

VOLT: 12

ROTATION: CW

PINION: 10

Applications:

1999-2006 Kenworth
1999-2006 Peterbilt



428000-5730

UNIT TYPE: R

kW: 5

VOLT: 12

ROTATION: CW

PINION: 10

Applications:

2000 - on Detroit Diesel 60 Series



•All specifications are subject to change without notice.

For updates visit www.DensoHeavyDuty.com

STARTER PHOTO GUIDE



9702809-500

UNIT TYPE: R
kW: 2.5
VOLT: 12
ROTATION: CW
PINION: 9
Applications:
1976 Kubota



9702809-747

UNIT TYPE: G
kW: .8
VOLT: 12
ROTATION: CW
PINION: 9
Applications:
1981 Kubota
Notes:
Available in reman only



9702809-588

UNIT TYPE: R
kW: 2.5
VOLT: 12
ROTATION: CW
PINION: 13
Applications:
1978 J.I. Case
1982-87 J.I. Case



9702809-748

UNIT TYPE: G
kW: .8
VOLT: 12
ROTATION: CW
PINION: 9
Applications:
1981 Kubota
Notes:
Available in reman only



9702809-746

UNIT TYPE: G
kW: .8
VOLT: 12
ROTATION: CW
PINION: 9
Applications:
1981 Kubota, 1985 Onan
Notes:
Available in reman only



9702809-832

UNIT TYPE: R
kW: 1
VOLT: 12
ROTATION: CW
PINION: 9
Applications:
1981 Kubota
Notes:
Available in reman only



*All specifications are subject to change without notice.

For updates visit www.DensoHeavyDuty.com

STARTER PHOTO GUIDE



9702809-840

UNIT TYPE: R

kW: 2.5

VOLT: 12

ROTATION: CW

PINION: 11

Applications:

1995-Up Atlas Copco, Clark Bobcat, 1987
Elgin, 1986 John Deere, 1985 Sullair



9712809-071

UNIT TYPE: R

kW: 1.4

VOLT: 12

ROTATION: CW

PINION: 15

Applications:

1983 John Deere, 1983 Thermo King, 1983
Yanmar



9712809-021

UNIT TYPE: R

kW: 2.5

VOLT: 12

ROTATION: CW

PINION: 13

Applications:

1984-85 Cummins, 1985 J.I. Case



9712809-422

UNIT TYPE: R

kW: 3

VOLT: 12

ROTATION: CW

PINION: 13

Applications:

1986 Cummins



9712809-049

UNIT TYPE: R

kW: 3

VOLT: 12

ROTATION: CW

PINION: 11

Applications:

1991 Isuzu



9722809-066

UNIT TYPE: RA

kW: 1.4

VOLT: 12

ROTATION: CW

PINION: 9

Applications:

1991 Kubota

Notes:

Available in reman only



STARTER PHOTO GUIDE



9722809-079

UNIT TYPE: R

kW: 1

VOLT: 12

ROTATION: CW

PINION: 9

Applications:

1992 Kubota



9722809-106

UNIT TYPE: RA

kW: 1.4

VOLT: 12

ROTATION: CW

PINION: 9

Applications:

1992 Kubota

Notes:

Available in reman only



9722809-098

UNIT TYPE: RA

kW: 1.2

VOLT: 12

ROTATION: CW

PINION: 9

Applications:

1992 Kubota



9722809-107

UNIT TYPE: IIR

kW: 1.4

VOLT: 12

ROTATION: CW

PINION: 11

Applications:

1992 Carrier, 1992 Kubota

Notes:

Available in reman only



9722809-102

UNIT TYPE: RA

kW: 1.4

VOLT: 12

ROTATION: CW

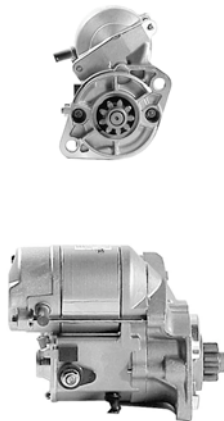
PINION: 9

Applications:

1992 Kubota

Notes:

Available in reman only



9722809-135

UNIT TYPE: R

kW: 2.7

VOLT: 12

ROTATION: CW

PINION: 10

Applications:

1992 Caterpillar



*All specifications are subject to change without notice.

For updates visit www.DensoHeavyDuty.com

STARTER PHOTO GUIDE



9722809-153

UNIT TYPE: R
kW: 1.4
VOLT: 12
ROTATION: CW
PINION: 9
Applications:
1992 Kubota



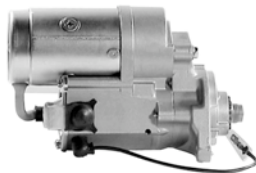
9722809-695

UNIT TYPE: R
kW: 2
VOLT: 12
ROTATION: CW
PINION:
Applications:
Kubota



9722809-457

UNIT TYPE: RA
kW: 2
VOLT: 12
ROTATION: CW
PINION: 9
Applications:
1994 Kubota
Notes:
Available in reman only



9742809-093

UNIT TYPE: RA
kW: 2
VOLT: 12
ROTATION: CW
PINION:
Applications:
Carrier
Notes:
Available in reman only



9722809-475

UNIT TYPE: RA
kW: 2
VOLT: 12
ROTATION: CW
PINION: 9
Applications:
1994 Kubota



DENSO TO OEM CROSS REFERENCE



DENSO PART#	REMAN PART#	MANUFACTURER PART#	MANUFACTURER	DENSO PART#	REMAN PART#	MANUFACTURER PART#	MANUFACTURER
021000-2252		04405242	Mitsui-Deutz	028000-2842		ME022330-02	Mitsubishi
021000-2431		KMDO-150-000	Mitsubishi	028000-2890		180020	Mitsubishi
021000-2431		KMDO-150-000	Satoh	028000-2890		180020	Satoh
021000-2551	9702109-255-Reman Only	15221-64012	Kubota	028000-3292	9702800-329	RE13722	John Deere
021000-2901		04405442	Mitsui-Deutz	028000-3570		04405892	Mitsui-Deutz
021000-3030		4N-4540	Caterpillar	028000-3611	9702809-843-Reman Only	15321-63016	Kubota
021000-3480		1-81200025-0	Isuzu	028000-3650		4N-0241	Caterpillar
021000-4131		ME023620-01	Mitsubishi	028000-3690		600-813-1520	Komatsu
021000-4271		04405463	Mitsubishi	028000-3811	9702800-381	AR46886	John Deere
021000-4271		04405463	Mitsui-Deutz	028000-3939		AR70611	John Deere
021000-4510	210-7004-Reman Only	27020-78601-71	Toyota	028000-3971	9702800-397	AR63341	John Deere
021000-4560		18504-6050	Ishikawajima	028000-4201		15401-63011	Kubota
021000-4560		SBA 1850 46050	Ford Tractor	028000-4420		208-70501-10	Fuji Heavy Industries
021000-4650		7604-A (Leece Neville)	Ford Truck	028000-4430		208-70502-10	Fuji Heavy Industries
021000-4650		D4HF 10346-BA	Ford Truck	028000-4430		208-70502-10	Wisconsin Robbins
021000-4711		04408422	Mitsui-Deutz	028000-4520		15271-63011	Kubota
021000-4730		5-81200122-0	Isuzu	028000-4860	9702809-486-Reman Only	15201-63011	Kubota
021000-4760		D4TF 10346-BA	Ford Truck	028000-4930		268757	Allis-Chalmers
021000-4970		6N-5460	Caterpillar	028000-4970		600-813-1550	Komatsu
021000-5601	210-7025-Reman Only	27020-76003-71	Toyota	028000-5004	9702809-500-Reman Only	15451-63014	Kubota
021000-6210		5-81200157-0	Isuzu	028000-5040		1107539	Caterpillar
021000-6220		5-81200142-0	Isuzu	028000-5040		7N-0923	Caterpillar
021000-6840	9702109-684-Reman Only	15411-64011	Kubota	028000-5050		5-81100087-0	Isuzu
021000-6851		5-81200164-1	Isuzu	028000-5060		5-81100086-0	Isuzu
021000-6861		5-81200163-1	Isuzu	028000-5251	9702800-525	RE15663	John Deere
021000-7281	5702100-728	CH10493	John Deere	028000-5302	280-7056-Reman Only	28100-76015-71	Toyota
021000-7610		5-81200241-0	Isuzu	028000-5460		259241	Allis-Chalmers
021000-7620		5-81200240-0	Isuzu	028000-5490		5-81100108-1	Isuzu
021000-7770		450352	Allis-Chalmers	028000-5662	9702809-566	121420-77010	Yanmar
021000-7770		34466-00700 (Mit. Hvy Ind.)	Allis-Chalmers	028000-5662		CH12096	John Deere
021000-8040	210-7005-Reman Only	27020-61110	Toyota	028000-5730	9712809-071	121120-77010	Yanmar
021000-8430		5-81200261-0	Isuzu	028000-5730	9712809-071	45-1312	Thermo King
021000-8610	9702110-861-Reman Only	15276-64011	Kubota	028000-5730	9712809-071	CH12741	John Deere
021000-8620	9702110-862-Reman Only	15471-64011	Kubota	028000-5730	9712809-071	S-114-116 (Hitachi)	John Deere
021000-8660	9702109-866-Reman Only	15253-64011	Kubota	028000-5780		600-813-1560	Komatsu
021000-8870		04411210	Mitsui-Deutz	028000-5800		171022-77010	Yanmar
021000-9020	9702108-902-Reman Only	15451-64013	Kubota	028000-5800		171022-77010 (Yanmar)	Thermo King
028000-2442		04401561	Mitsui-Deutz	028000-5800		45-904	Thermo King
028000-2452		15109-63012	Kubota	028000-5864	280-7001-Reman Only	28100-22061-71	Toyota
028000-2551		208-70502-00	Fuji Heavy Industries	028000-5884	9702809-588	116930A1	J.I. Case
028000-2842		ME022330-01	Mitsubishi	028000-5884	9702809-588	R39341	J.I. Case
				028000-5920		191-1117	Onan
				028000-5961		4N-0241	Caterpillar
				028000-5961		9X0354	Mitsubishi
				028000-5961		9X-0354	Caterpillar

Cross Reference information is provided as a guide only. The Application information section should be referred to for specific applications
DENSO is not responsible for the application information of other manufacturers and distributors.

DENSO TO OEM CROSS REFERENCE



DENSO PART#	REMAN PART#	MANUFACTURER PART#	MANUFACTURER	DENSO PART#	REMAN PART#	MANUFACTURER PART#	MANUFACTURER
028000-6014	280-7059- Reman Only	28300-22060-71	Toyota	028000-7521	280-7009 - Reman only	28100-31030	Toyota
028000-6063	9702809-606- Reman Only	15611-63011	Kubota	028000-7543		600-813-1610	Komatsu
028000-6140	9702809-614- Reman Only	19212-63011 (Kubota)	Carrier Transcold	028000-7610		4809803	Kohler
028000-6140	9702809-614- Reman Only	25-35458	Carrier Transcold	028000-7610		4809803 (Kohler)	New Holland
028000-6190		600-813-1570	Komatsu	028000-7640	9712809-074	CH12084	John Deere
028000-6200		1-81100141-0	Isuzu	028000-7733	9702809-773- Reman Only	15481-63013	Kubota
028000-6210		5-81100140-0	Isuzu	028000-7741		04410780	Mitsui-Deutz
028000-6250		15601-63012	Kubota	028000-7781	9702809-778- Reman Only	14601-63011	Kubota
028000-6261	9702809-626- Reman Only	299574	Universal	028000-7791		5-81100183-0	Isuzu
028000-6261	9702809-626- Reman Only	19212-63011	Kubota	028000-7803	9702809-780- Reman Only	15527-63011	Kubota
028000-6340		04410711	Mitsui-Deutz	028000-7812	280-7003 -	28100-31625-71	Toyota
028000-6350		18508-6180	Ishikawajima	028000-7830	Reman only		
028000-6350		SBA 1850 86180	Ford Tractor	028000-7830	9722809-107- Reman Only	19202-63011 (Kubota)	Carrier Transcold
028000-6400		4530388	Allis-Chalmers	028000-7830	9722809-107- Reman Only	25-37640	Carrier Transcold
028000-6400		34566-00100 (Mit Hvy Ind.)	Allis-Chalmers	028000-8130		34566-10100	Allis-Chalmers
028000-6412		4530350	Allis-Chalmers	028000-8230	280-7019	1109422	Caterpillar
028000-6412		34566-00100 (Mit Hvy Ind.)	Allis-Chalmers	028000-8230	280-7019	3T-5649	Caterpillar
028000-6440		5-81100155-0	Isuzu	028000-8251		6109801	Kohler
028000-6561		5-81100169-0	Isuzu	028000-8320	9702809-832- Reman Only	15504-63011	Kubota
028000-6640		5-81100154-0	Isuzu	028000-8380	280-7027	3T-8210	Caterpillar
028000-6782		270324	Allis-Chalmers	028000-8390	280-7028	1109420	Caterpillar
028000-6813	280-7010 - Reman only	28100-37011	Toyota	028000-8390	280-7028	3T-8211	Caterpillar
028000-6823	280-7014- Reman only	28100-31021	Toyota	028000-8400		6632415	Clark Bobcat
028000-6921		9G-6941	Caterpillar	028000-8400		RE 19275 (J. Deere)	Elgin
028000-6921		9X-0353	Caterpillar	028000-8400	9702809-840	RE19275	John Deere
028000-7004		5-81100166-0	Isuzu	028000-8400		RE19275 (J. Deere)	Sullair
028000-7133	9702809-713- Reman Only	15521-63012	Kubota	028000-8401	9702809-840	RE51447	John Deere
028000-7180		8L6-81800-50	Yanmar	028000-8403	9702809-840	RE54092	Atlas Copco
028000-7300		31505-81	Harley Davidson	028000-8403	9702809-840	TY6719	John Deere
028000-7431		A162469	J.I. Case	028000-8410		31200-ZA1-0030	Honda
028000-7453	280-7006 - Reman only	28300-31960-71	Toyota	028000-8411		31200-ZA1-0030	Honda
028000-7462	9702809-746- Reman Only	15231-63014 (Kubota)	Onan	028000-8411	9702889-028 - Reman Only	31200-ZA1-003RM	Honda
028000-7462	9702809-746- Reman Only	15231-63015	Kubota	028000-8411	9702889-501 - Reman Only	31200-ZA0-701RM	Honda
028000-7471	9702809-747- Reman Only	16097-61361	Kubota	028000-8411	9702889-514 - Reman Only	31200-ZA0-L01RM	Honda
028000-7480	9702809-748- Reman Only	15221-63016	Kubota	028000-8432	9702809-843- Reman Only	15501-63012	Kubota
				028000-8630		8-94150343-1	Isuzu
				028000-8843	9702809-884- Reman Only	14182-63011	Kubota

Cross Reference information is provided as a guide only. The Application information section should be referred to for specific applications
DENSO is not responsible for the application information of other manufacturers and distributors.

DENSO TO OEM CROSS REFERENCE



DENSO PART#	REMAN PART#	MANUFACTURER PART#	MANUFACTURER	DENSO PART#	REMAN PART#	MANUFACTURER PART#	MANUFACTURER
028000-9032	9722809-457	15425-63011	Kubota	100211-2360		8-94445672-0	Isuzu
028000-9113		18508-6280	Ishikawajima	100211-2560		4412972	J.I. Case
028000-9113		SBA 1850 86280	Ford Tractor	100211-2560		04412972	Mitsui-Deutz
028000-9570	9702809-746-Reman Only	19293-63011	Kubota	100211-2570	9760211-257	27040-1240A	Hino
028000-9774		28100-1561A	Hino	100211-2633		27040-1261A	Hino
028000-9800		429917500	Fuji Heavy Industries	100211-2633		27040-1262C	Hino
028000-9820	280-7026	3T-8209	Caterpillar	100211-2640		27040-1270B	Hino
028000-9830	280-7029	3T-8208	Caterpillar	100211-2702		1-81200321-2	Isuzu
100210-0790		1-81200024-0	Isuzu	100211-2710		1-81200320-2	Isuzu
100210-1150		5-81200132-0	Isuzu	100211-2741		27040-1300A	Hino
100210-1620		5-81200239-1	Isuzu	100211-2750		94047827	GMC
100210-1710		5-81200260-0	Isuzu	100211-2750		1-81200338-0	Isuzu
100210-1750		04410870	Mitsui-Deutz	100211-2760	9760128-276	1-81200291-0	Isuzu
100210-1940		27030-1310A	Hino	100211-2950		9W-2648	Caterpillar
100210-2450		5-81200336-0	Isuzu	100211-2960		9W-2949	Caterpillar
100210-2970		8-94150344-1	Isuzu	100211-2970		8T-9700	Caterpillar
100211-0010		7N-6118	Caterpillar	100211-2985	9760211-298	27040-1310A	Hino
100211-0071		AR87204	John Deere	100211-2995	9760211-299	27040-1320A	Hino
100211-0081	9700211-029	AR87205	John Deere	100211-4004	210-7003 - Reman only	27060-78301-71	Toyota
100211-0230		7N-4784	Caterpillar	100211-4130		8-94449781-1	Isuzu
100211-0250		8N-2268	Caterpillar	100211-4300	9760218-430-Reman Only	17077-64011	Kubota
100211-0280	9700211-029	AR93447	John Deere	100211-4310	9760218-431-Reman Only	19883-64011	Kubota
100211-0292	9700211-029	AR93448	John Deere	100211-4390	9760218-439-Reman Only	17369-64011	Kubota
100211-0292	9700211-029	AT103789	John Deere	100211-4440		6281-200-004-0B	Isekinouki
100211-0350		34468-10700 (Mit. Heavy Ind.)	Allis-Chalmers	100211-4520	9760218-452-Reman Only	16231-64011	Kubota
100211-0570		ME029354	Mitsubishi	100211-4531		119620-77202	Yanmar
100211-0570		ME029354	Satoh	100211-4540	210-7000 - Reman only	27060-78003-71	Toyota
100211-0860	9760218-086	6N-9294	Caterpillar	100211-4610	9760218-461 - Reman Only	16427-64012	Kubota
100211-0860	9761219-610	6N-9294	Caterpillar	100211-4610	9760218-461 - Reman Only	16427-64012	Kubota
100211-0890	9761219-610	5S-9088	Caterpillar	100211-4640	9760218-464-Reman Only	16705-64011	Kubota
100211-0940		119620-77200	Yanmar	100211-4650	Reman Only	34070-75601	Kubota
100211-0940		AM100800	John Deere	100211-4701		RE42778	John Deere
100211-0991	9760218-099-Reman Only	15451-99372	Kubota	100211-4730	9760218-473 - Reman Only	16678-64012	Kubota
100211-1331		94137345	Chevrolet	100211-4730	9760218-473 - Reman Only	16678-64012	Kubota
100211-1331		8-94137345-0	Isuzu	100211-4730	9760218-473 - Reman Only	16678-64012	Kubota
100211-1331		8-94137345-2 (Isuzu)	Chevrolet	100211-4730	9760218-473 - Reman Only	16678-64012	Kubota
100211-1630	9760211-163-Reman Only	15881-64201	Kubota	100211-4730	9760218-473 - Reman Only	16678-64012	Kubota
100211-1662	210-7002 - Reman only	27060-78001-71	Toyota	100211-4732		1-81200288-1	Isuzu
100211-1670	9760218-167-Reman Only	16241-64011	Kubota	100211-1711		1-81200286-1	Isuzu
100211-1680		18504-6220	Ishikawajima	100211-1721	9760211-172	97038565	GMC
100211-1711		1-81200286-1	Isuzu	100211-1721	9760211-172	1-81200287-1	Isuzu
100211-1721	9760211-172	97038565	GMC	100211-1721	9760211-172	1-81200287-1 (Isuzu)	GMC
100211-1721	9760211-172	1-81200287-1	Isuzu	100211-1721	9760211-172	1-81200287-2	Isuzu
100211-1721	9760211-172	1-81200287-1 (Isuzu)	GMC	100211-1732		1-81200288-1	Isuzu
100211-1721	9760211-172	1-81200287-2	Isuzu				
100211-1732		1-81200288-1	Isuzu				

Cross Reference information is provided as a guide only. The Application information section should be referred to for specific applications
DENSO is not responsible for the application information of other manufacturers and distributors.

DENSO TO OEM CROSS REFERENCE



DENSO PART#	REMAN PART#	MANUFACTURER PART#	MANUFACTURER	DENSO PART#	REMAN PART#	MANUFACTURER PART#	MANUFACTURER
100211-4770	9760218-477 - Reman Only	16495-64013	Kubota	101211-1180	9761219-118 - Reman Only	3A011-74013	Kubota
100211-4770	9760218-477 - Reman Only	16495-64013	Kubota	101211-1180	9761219-118 - Reman Only	3A011-74013	Kubota
100211-4790		18504-6330	Ishikawajima	101211-1180	9761219-118 - Reman Only	3A011-74013	Kubota
100211-5710		1-81200356-0	Isuzu	101211-1180	9761219-118 - Reman Only	3A011-74013	Kubota
100211-5750		1-81200386-0	Isuzu	101211-1180	9761219-118 - Reman Only	3A011-74013	Kubota
100211-5800		AN193461	John Deere	101211-1220	9761219-122 - Reman Only	T1060-15603	Kubota
100211-5950	9760211-595	27040-1900A	Hino	101211-1220	9761219-122 - Reman Only	T1060-15603	Kubota
100211-5960	9760211-596	27040-1780A	Hino	101211-1220	9761219-122 - Reman Only	T1060-15603	Kubota
100211-5970	9760211-597	27040-1890A	Hino	101211-1310		18504-6430	Ishikawajima
100211-6030	9760218-605	RE37201	John Deere	101211-1350	9761219-135 - Reman Only	16210-64012	Kubota
100211-6040		RE51922	John Deere	101211-1350	9761219-135 - Reman Only	16210-64012	Kubota
100211-6051	9760218-605	RE44140	John Deere	101211-1360	9761219-136 - Reman Only	T1060-15682	Kubota
100211-6420		RE46608	John Deere	101211-1360	9761219-136 - Reman Only	T1060-15682	Kubota
100211-6780	9760218-678- Reman Only	16541-64011	Kubota	101211-2240		105-2811	Caterpillar
100211-6801	9760218-680- Reman Only	17356-64012	Kubota	101211-2310	9761219-231	105-2812	Caterpillar
100211-6881	9760218-688- Reman Only	16771-64012	Kubota	101211-2471	9761219-247	RE729171	John Deere
100211-6931	210-7001 - Reman only	27060-78305-71	Toyota	101211-2471	9761219-247	TY25241	John Deere
100211-6961	210-7019- Reman Only	27070-23041-71	Toyota	101211-2490	9761219-249- Reman Only	TA043-74011	Kubota
100211-6970	210-7018- Reman Only	27070-23001-71	Toyota	101211-2590		129961-77200	Yanmar
100211-8801 (2)	9760218-880- Reman Only	33970-6401-5212	Kubota	101211-2770		144-9954	Caterpillar
100213-0272	9712109-112	27050-1102	Hino	101211-2850	9761219-285 - Reman Only	16615-64012	Kubota
100213-0330		27050-1170B	Hino	101211-2850	9761219-285 - Reman Only	16615-64012	Kubota
100213-0371		27050-1191A	Hino	101211-2941		600-861-1611	Komatsu
100213-0386		1-81200328-1	Isuzu	101211-2951		TY25242	John Deere
100213-0391		27050-1201A	Hino	101211-3021		821663	Mercury Marine
100213-0440		1-81200319-0	Isuzu	101211-3021		821663	Mercury Marine
100213-0630		1-81200351-0	Isuzu	101211-3080	210-7006 - Reman only	27060-66050	Toyota
100213-0812	9760218-595	27050-1290A	Hino	101211-3380		828506	Mercury Marine
100213-0980		8-94330187-1	Isuzu	101211-3400	210-7021- Reman Only	27070-31720-71	Toyota
100213-1311		27050-1102	Hino	101211-3410	9761219-341- Reman Only	17490-64011	Kubota
101210-9000		249-0313	Caterpillar	101211-3580	210-7007 - Reman only	27060-78153-71	Toyota
101210-9010		272-1889	Caterpillar	101211-3600		857006	Mercury Marine
101211-1020		887251	Bombardier	101211-3680	210-7023- Reman Only	27060-78201-71	Toyota
101211-1060	9761219-106- Reman Only	PH101-81401	Kubota	101211-3780	9761219-378 - Reman Only	T1065-15682	Kubota
101211-1090	C07639		Clark				
101211-1090		C07639	Clarke Detroit				
101211-1100		6669618	Melroe-Bobcat				
101211-1131		TY25240	John Deere				
101211-1170		129423-77200	Yanmar				
101211-1170		TY25243	John Deere				
101211-1170	9761219-117	TY25243	John Deere				

Cross Reference information is provided as a guide only. The Application information section should be referred to for specific applications
DENSO is not responsible for the application information of other manufacturers and distributors.

DENSO TO OEM CROSS REFERENCE



DENSO PART#	REMAN PART#	MANUFACTURER PART#	MANUFACTURER	DENSO PART#	REMAN PART#	MANUFACTURER PART#	MANUFACTURER
101211-3780	9761219-378 - Reman Only	T1065-15682	Kubota	101211-8421	9761219-842	27040-2550	Hino
101211-4310		600-861-3410	Komatsu	101211-8421	9761219-842	27040-2550B	Hino
101211-5030	9761219-602	RE34888	John Deere	101211-8421	9761219-842	27040-2550	Hino
101211-6020		2-91123-950-0	Isuzu	101211-8431	9761219-843	27040-2560B	Hino
101211-6061	9761211-606	27040-1911A	Hino	101211-8431	9761219-843	27040-2560	Hino
101211-6100	9761219-610	100-5047	Caterpillar	101211-8431	9761219-843	27040-2560B	Hino
101211-6140	9761211-614	27040-1920A	Hino	101211-8431	9761219-843	27040-2560B	Hino
101211-7130	9761219-610	RE34890	John Deere	101211-8431	9761219-843	27040-2560	Hino
101211-7130		RE60745	John Deere	101211-8431	9761219-843	27040-2560B	Hino
101211-7780	9761219-610	RE500226	John Deere	101211-8460	9761219-852 - Reman Only	235-7133	Caterpillar
101211-7812		8-97500342-0	Isuzu	101211-8460		235-7133	Caterpillar
101211-7880	9761219-796	6672015	Melroe-Bobcat	101211-8520	9761219-852 - Reman Only	3A611-74012	Kubota
101211-7920		3E-7772	Caterpillar	101211-8520	9761219-852 - Reman Only	3A611-74012	Kubota
101211-7960	9761219-796	60086-164102	Komatsu	101211-8620	210-7022- Reman Only	RE506145	John Deere
101211-7960	9761219-796	600-861-6410	Komatsu			101211-8700	27060-78156-71
101211-7960	9761219-796	600-861-6410-2	Komatsu	101211-9010	9761219-901	105-2814	Caterpillar
101211-7960	9761219-796	600-861-6410-2	Komatsu			101211-9020	9761219-902
101211-8003	9761211-800	27040-1970A	Hino	101211-9940	9761219-902	119773-77200	Yanmar
101211-8003	9761211-800	27040-1970B	Hino	102211-0400		RE65414	John Deere
101211-8020	9761211-800	19011151	Various	102211-1180	RE500227	John Deere	
101211-8020		19011154	International	102211-1820	9761219-901	144-9964	Caterpillar
101211-8050	19011150	Various	102211-1830	144-9963		Caterpillar	
101211-8060	9761211-800	19011155	Various	102211-2850	9762219-285	600-861-3610	Komatsu
101211-8060		19011157	Various	102211-2850	9762219-285	600-861-3610	Komatsu
101211-8060	9761211-800	19011167	Various	102211-3030	9762219-285	203-5492	Caterpillar
101211-8060		NPD 1012118060	Freightliner	102211-3030		203-5492	Caterpillar
101211-8120	9761211-800	19011152	Volvo	102211-4050	9762219-405	600-861-6410	Komatsu
101211-8120		D27-6001-0130J	Kenworth	102211-4050	9762219-405	600-861-6410	Komatsu
101211-8120	D27-6001-0130J	Peterbilt	102211-4050	9762219-405	600-861-6410	Komatsu	
101211-8250	9761211-800	177-9953	Ford Truck	102211-5121	RE72918	John Deere	
101211-8250			Freightliner	102211-5200	210-7013 - Reman Only	27060-78154-71	Toyota
101211-8250	International	3554455C91	Navistar	102211-5730	210-7024- Reman Only	RE509080	John Deere
101211-8270	169-3345	Caterpillar	102211-5850	27060-78700-71		Toyota	
101211-8290	9761219-842	169-3345	Caterpillar	102211-9060	9761219-842	600-861-3420	Komatsu
101211-8300		197-8820	Caterpillar	102211-9060		600-861-3420	Komatsu
101211-8300	9761219-842	2MJ57M	Mack	102211-9090	9761219-842	87422777	Case New Holland
101211-8340		2MJ57M	Mack	104210-3920		RE257541	John Deere
101211-8360	Fwd to 101211-8120	2MJ57M	Mack	104210-3921	RE257541	John Deere	
101211-8380	9761219-842	19011177	Freightliner	104210-6103	9761219-842	7C3Z-10346-EA	Ford
101211-8380		NPD 1012118380	Freightliner	121000-0580		18504-6170	Ford Tractor
101211-8390	9761219-842	D27-6001-0130P	Kenworth	121000-0600	9712109-060-	15621-64011	Kubota
101211-8390		D27-6001-0130P	Peterbilt	121000-0980	Reman Only	9712109-098-	15763-64011
101211-8400	9761219-842	226-7683	Caterpillar	121000-1121	Reman Only	27040-1190	Hino
101211-8400		226-7683	Caterpillar				
101211-8400	226-7683	Caterpillar					
101211-8410	9761219-842	3586537C91	International				
101211-8410		3586537C91	International				
101211-8421	9761219-842	27040-2550B	Hino				
101211-8421	9761219-842	27040-2550B	Hino				

Cross Reference information is provided as a guide only. The Application information section should be referred to for specific applications
DENSO is not responsible for the application information of other manufacturers and distributors.

DENSO TO OEM CROSS REFERENCE



DENSO PART#	REMAN PART#	MANUFACTURER PART#	MANUFACTURER	DENSO PART#	REMAN PART#	MANUFACTURER PART#	MANUFACTURER
121000-1340	9712109-134-Reman Only	19489-64011	Kubota	128000-0710	9712809-071	121120-77011 (Yanmar)	John Deere
121000-1390		27020-1660	Hino	128000-0710	9712809-071	121120-77011 (Yanmar)	Thermo King
121000-2261		8-94436213-1	Isuzu	128000-0710	9712809-071	45-1312	Thermo King
121000-2271		8-94436214-1	Isuzu	128000-0720	9712809-072	171022-77011	Yanmar
121000-2380		1-81200369-0	Isuzu	128000-0720	9712809-072	45-1251	Thermo King
121000-2450		D4HZ 10345-BA	Ford Truck	128000-0741	9712809-074	124520-77011	Yanmar
121000-2450		D4HZ 10346-B	Ford Truck	128000-0741	9712809-074	TY6717	John Deere
121000-2450		GL-94-C	Ford Truck	128000-0772	9712809-077	28100-1670A	Hino
121000-2510		8T-9700	Caterpillar	128000-0793	9712809-079	121420-77011	Yanmar
121000-2751		27020-1811A	Hino	128000-0793	9712809-079	121420-77011	John Deere
121000-4080	9712109-408	5234374	Dodge			(Yanmar)	
128000-0020		8-94123387-0	Isuzu	128000-0793	9712809-079	CH19285	John Deere
128000-0020		8-94123387-0 (Isuzu)	GMC	128000-0833		8-94133758-3	Isuzu
128000-0050	9722809-099-Reman Only	19269-63011	Kubota	128000-0960	280-7040	45-1229, 45-56572	Thermo King
128000-0071	9712809-007-Reman Only	15621-63012	Kubota	128000-0960	280-7040	45-5674	Thermo King
128000-0102		185086340 (Ishikawajima)	Northern Lights/Luggar	128000-0960	280-7040	8-94149-429-0	Thermo King
128000-0140	9722809-107-Reman Only	19821-63011 (Kubota)	Carrier Transcold	128000-0974	280-7005 - Reman only	28100-40291-71	Toyota
128000-0140	9722809-107-Reman Only	25-37725-00	Carrier Transcold	128000-1002	280-7034	600-813-3240	Komatsu
128000-0170	9712809-017-Reman Only	15461-63012	Kubota	128000-1012	280-7035	600-813-3250	Komatsu
128000-0181	9712809-018-Reman Only	15511-63011	Kubota	128000-1040	280-7025	6T-7003	Caterpillar
128000-0201	9712809-020-Reman Only	11153-63012	Kubota	128000-1050	280-7020	6T-7004	Caterpillar
128000-0216	9712809-021	1987559C1	J.I. Case	128000-1050	280-7020	6T-7004 (CAT)	Peugeot
128000-0216	9712809-021	A170746	J.I. Case	128000-1062	280-7030	143-0535	Caterpillar
128000-0260		1336643	Allis-Chalmers	128000-1062	280-7030	6T-7001	Caterpillar
128000-0430		1338509	Allis-Chalmers	128000-1102		8-94170205-0	Isuzu
128000-0472	280-7004 - Reman only	28100-31972-71	Toyota	128000-1102	280-7066	8941702050,	TCM
128000-0480	9712800-048	RE15718	John Deere			8941702051	
128000-0494	9712809-049	94039465	GMC	128000-1152		119620-77011	Yanmar
128000-0494	9712809-049	1-81100234-0	Isuzu	128000-1161	9722809-104-Reman Only	17381-63013	Kubota
128000-0494	9712809-049	1-81100234-0 (Isuzu)	GMC	128000-1340	9712809-134	28100-1680A	Hino
128000-0545	9712809-021	3904466	Cummins	128000-1470	9712809-147-Reman Only	17381-63011	Kubota
128000-0570		45-1170	Thermo King	128000-1670		995430	Bombardier
128000-0570		45-1170 (ThermoKing)	Carrier Transcold	128000-1671		995430	Bombardier
128000-0570		MEO-6005-A (Prestolite)	Carrier Transcold	128000-1691	9712809-169-Reman Only	19508-63011	Kubota
128000-0590	280-7023	6T-7002	Caterpillar	128000-1770		TMD-13M500	Teledyne
128000-0590	280-7023	6T-7002 (CAT)	Peugeot	128000-1770		TMD-13M500	Tennant
128000-0623	280-7000 - Reman only	28100-20552-71	Toyota	128000-1782		TMD-27M504	Teledyne
128000-0710	9712809-071	121120-77010 (Yanmar)	Thermo King	128000-1782		TMD-27M504	Tennant
128000-0710	9712809-071	121120-77011	Yanmar	128000-2040		8-94156671-0	Isuzu
				128000-2070	9712809-207 Reman Only	171353-77010	Yanmar
				128000-2131	9722809-105-Reman Only	19616-63011	Kubota
				128000-2161	9712809-216-Reman Only	15833-63011	Kubota

Cross Reference information is provided as a guide only. The Application information section should be referred to for specific applications
DENSO is not responsible for the application information of other manufacturers and distributors.

DENSO TO OEM CROSS REFERENCE



DENSO PART#	REMAN PART#	MANUFACTURER PART#	MANUFACTURER	DENSO PART#	REMAN PART#	MANUFACTURER PART#	MANUFACTURER
128000-2240	9712809-224 - Reman Only	31210-ZE2-003RM	Honda	128000-4084	280-7024	7C-2264	Caterpillar
128000-2251		40-2500442	White	128000-4084	280-7024	8T-8619	Caterpillar
128000-2273		89332	Versatile	128000-4090		8T-9685	Caterpillar
128000-2280		001 366025	Thermo King	128000-4090		9103-3323	Gradall
128000-2280		30-00308-02	Carrier Transicold	128000-4092		143-0537	Caterpillar
		(Carrier)		128000-4092		7C-4622	Caterpillar
128000-2280		45-267,45-1170,45-338	Thermo King	128000-4102	280-7016	28100-42800-71	Toyota
				128000-4113	280-7008	28300-23041-71	Toyota
				128000-4220	9712809-422	3911343	Champion
128000-2280		ME0-6005A (Prestolite)	Thermo King	128000-4270		8-94449782-0	Isuzu
128000-2280		ME0-6005-A (Prestolite)	Carrier Transicold	128000-4291		410209200	Bombardier
				128000-4340		91902C1	J.I. Case
128000-2451		1-81100230-1	Isuzu	128000-4520		5209808	Kohler
128000-2471		1-81100231-0	Isuzu	128000-4780	9712809-478 - Reman Only	19872-63013	Kubota
128000-2480		104668	Versatile	128000-4780	9712809-478 - Reman Only	19872-63013	Kubota
128000-2563		1987566C1	J.I. Case				
128000-2690		31391-86	Harley Davidson	128000-4864		995435	Bombardier
128000-2742		1-81100239-0	Isuzu	128000-4870	9712809-487 - Reman Only	12106-63010	Kubota
128000-2810		21163-2069	John Deere	128000-4900	9712809-490 - Reman Only	19215-63011	Kubota
128000-2881		8-94412730-1	Isuzu				
128000-2890		21163-2070	John Deere	128000-4900	9722809-106 - Reman Only	19215-63011 (Kubota)	Carrier Transicold
128000-2950	9702889-503 - Reman Only	31200-ZE8-003RM	Honda				
128000-2950	9702889-504 - Reman Only	31200-ZE8-801RM	Honda	128000-4900	9722809-106 - Reman Only	25-35465	Carrier Transicold
128000-2950	9712809-295 - Reman Only	31200-ZE9-L31RM	Honda	128000-4911	9712809-491	3912084	Cummins
128000-2960		TMD-13M501 (Teledyne)	Teledyne	128000-4911	9712809-491	4741012	Dodge
128000-2960		TMD13M-501	New Holland	128000-4911	9712809-491	3912084 (Cummins)	Dodge
				128000-4951		1998578	Chevrolet
128000-2970	280-7032	TMD-13M502	Teledyne	128000-4951		10455702	Chevrolet
128000-2970	280-7032	TMD13M-502	Clark Forklift	128000-4972	9712809-497	1114156	Caterpillar
128000-3032	280-7047	TMD-13M506	Teledyne	128000-4972	9712809-497	143-0540	Caterpillar
128000-3032	280-7047	TMD-27M506	Teledyne	128000-4972	9712809-497	8C-5580	Caterpillar
128000-3032	280-7047	TMD27M-506	Clark Forklift	128000-5091	9712809-509	28100-1930A	Hino
128000-3122		1987586C1	J.I. Case	128000-5142		2NL-81800-51	Yamaha
128000-3122		A181056	J.I. Case	128000-5261	9722809-095 - Reman Only	16271-63013	Kubota
128000-3182		1998538	GM				
128000-3251		209-70502-00	Fuji Heavy Industries	128000-5303	9712809-530	28100-1960A	Hino
128000-3251		209-70502-00	Wisconsin Robbins	128000-5331		A187728	J.I. Case
128000-3390	9712809-339 - Reman Only	31210-ZB7-003RM	Honda	128000-5373		A186247	J.I. Case
				128000-5411	9712809-541 - Reman Only	19883-63011	Kubota
128000-3410		119641-77010	Yanmar				
128000-3540		234-70502-00	Fuji Heavy Industries	128000-5430		1998585	GM
				128000-5430		10455704	GM
128000-3591	9712809-359 - Reman Only	15504-63010	Kubota	128000-5500	9712809-550 - Reman Only	21163-2077	Kubota
128000-3690	9712800-369	RE23900	John Deere				
128000-3762		1UY-81800-51	Yamaha	128000-5510		1-81100261-0	Isuzu
128000-3780	9712809-378 - Reman Only	31210-ZE3-792RM	Honda	128000-5590		TMD-13M503	Teledyne
				128000-5602		TMD-27M507	Teledyne
				128000-5625		116928A1	J.I. Case
128000-4084	280-7024	143-0536	Caterpillar	128000-5625		116928A23	J.I. Case

Cross Reference information is provided as a guide only. The Application information section should be referred to for specific applications
DENSO is not responsible for the application information of other manufacturers and distributors.

DENSO TO OEM CROSS REFERENCE



DENSO PART#	REMAN PART#	MANUFACTURER PART#	MANUFACTURER	DENSO PART#	REMAN PART#	MANUFACTURER PART#	MANUFACTURER
128000-5625		A187615	J.I. Case	128000-7520		9X-4453	Caterpillar
128000-5630		8-94469246-0	Isuzu	128000-7530		3T-2764	Caterpillar
128000-5670		523-3662	Caterpillar	128000-7530		9X-4454	Caterpillar
128000-5723	9712809-572	3E-5382	Caterpillar	128000-7540		6N-1889	Caterpillar
128000-5723	9712809-572	9W-2946	Caterpillar	128000-7540		9X-4452	Caterpillar
128000-5732	9712809-573	3E-5381	Caterpillar	128000-7560		8-94371833-0	Isuzu
128000-5732	9712809-573	8C-4774	Caterpillar	128000-7601		8192262	Volvo
128000-5732	9712809-573	9W-3748	Caterpillar	128000-7670		7934025168	Peugeot
128000-5750		31570-89	Harley Davidson	128000-7720		8-9448079-00	Isuzu
128000-5913	9712809-591	28100-2052B	Hino	128000-7740		18508-6440	Ishikawajima
128000-5971	9712800-597	RE38336	John Deere	128000-7752		5-81100169-1	Isuzu
128000-5972	9712800-597	RE43266	John Deere	128000-7752		5-81100169-2	Isuzu
128000-5973	9712800-597	RE54416	John Deere	128000-7940	9712809-794	AM104559, AM108615	John Deere
128000-6280	9722809-107-Reman Only	19013-63011 (Kubota)	Carrier Transcold	128000-8090	9712809-809 - Reman Only	31210-ZG8-003RM	Honda
128000-6280	9722809-107-Reman Only	25-38750-00	Carrier Transcold	128000-8111		10455703	Chevrolet
128000-6350	280-7046	TMD-13M504	Teledyne	128000-8130	280-7007-Reman Only	28100-23800-71	Toyota
128000-6623	9712809-662-Reman Only	17311-63012	Kubota	128000-8220		31558-90	Harley Davidson
128000-6640	9722809-108-Reman Only	17341-63011	Kubota	128000-8230		40-2500450	Hercules
128000-6843	9712809-684-Reman Only	17331-63012	Kubota	128000-8241	280-7052-Reman Only	28100-23810-71	Toyota
128000-6870	280-7021	7X-1057	Caterpillar	128000-8250		294350	Bombardier
128000-6912	280-7062-Reman Only	28300-32880-71	Toyota	128000-8294	9712809-829	RE40092	John Deere
128000-7002		8-94360113-2	Isuzu	128000-8294	9712809-829	RE54090	John Deere
128000-7021		A187722	J.I. Case	128000-8294	9712809-829	RE59595	Atlas Copco
128000-7042		9103-3323 (Gradall #)	Fuji Heavy Industries	128000-8294	9712809-829	RE59595	John Deere
128000-7050		21163-2089	Kawasaki Heavy Industries	128000-8294	9712809-829	RE59595	John Deere
128000-7070		21163-2085	Kawasaki Heavy Industries	128000-8294	9712809-829	RE59595	John Deere
128000-7110	9712809-711-Reman Only	11420-63013	Kubota	128000-8294	9712809-829	RE59595	John Deere
128000-7122		8-94344472-2	Isuzu	128000-8304		RE40595	John Deere
128000-7150	9712809-715-Reman Only	12182-63011	Kubota	128000-8322		23300AA231	Fuji Heavy Industries
128000-7172		RE38369	John Deere	128000-8456		31391-91	Harley Davidson
128000-7172		RE44515	John Deere	128000-8460	9712809-846-Reman Only	34070-16801	Kubota
128000-7231		RE39832	John Deere	128000-8481	9712809-848-Reman Only	11460-63011	Kubota
128000-7240		RE39833	John Deere	128000-8540	9712809-854-Reman Only	12106-63011	Kubota
128000-7252		RE42670	John Deere	128000-8550	9712809-855 Reman Only	15833-63012, 17121-63012	Kubota
128000-7301		129429-77010	Yanmar	128000-8562	280-7050-Reman Only	28100-23020-71	Toyota
128000-7301		TY25235	John Deere				
128000-7400		8-94480791-0	Isuzu				
128000-7480	9712809-748	1209803	Kohler				
128000-7510		4N-3181	Caterpillar	128000-9210		410-2116	Bombardier
128000-7510		9X-4447	Caterpillar	128000-9400	9712809-940 - Reman Only	31200-ZH9-003RM	Honda
128000-7520		3T-4586	Caterpillar				

Cross Reference information is provided as a guide only. The Application information section should be referred to for specific applications
DENSO is not responsible for the application information of other manufacturers and distributors.

DENSO TO OEM CROSS REFERENCE



DENSO PART#	REMAN PART#	MANUFACTURER PART#	MANUFACTURER	DENSO PART#	REMAN PART#	MANUFACTURER PART#	MANUFACTURER
128000-9503	9712809-950	3920403	Various	210-7018	210-7018-	100211-6970	DENSO
128000-9610		3E-0079	Caterpillar		Reman Only		
128000-9670		3EB01-A3320	Komatsu	210-7018	210-7018-	27070-23001-71	Toyota
128000-9680		3E-1864	Caterpillar		Reman Only		
128000-9690		3E-1865	Caterpillar	210-7019	210-7019-	100211-6961	DENSO
128000-9800		3920328	Various		Reman Only		
128000-9810	9712809-981	3921012	Cummins	210-7019	210-7019-	27070-23041-71	Toyota
128000-9821		3920329	Cummins		Reman Only		
128000-9951	9712809-995-	16871-63011	Kubota	210-7021	210-7021-	101211-3400	DENSO
	Reman Only				Reman Only		
128000-9960	280-7037	600-813-1410	Komatsu	210-7021	210-7021-	27070-31720-71	Toyota
128000-9962	280-7037	600-813-1410	Komatsu		Reman Only		
128000-9972	280-7036	600-813-1420	Komatsu	210-7022	210-7022-	101211-8700	DENSO
128000-9980	9712809-998	21163-2109	Kawasaki Heavy Industries	210-7022	210-7022-	101211-8580	DENSO
210-7000	210-7000-	100211-4540	DENSO		Reman Only		
	Reman Only			210-7022	210-7022-	27060-78156-71	Toyota
210-7000	210-7000-	27060-78003-71	Toyota		Reman Only		
	Reman Only			210-7022	210-7022-	27060-78158-71	Toyota
210-7001	210-7001-	100211-6931	DENSO	210-7023	210-7023-	101211-3680	DENSO
	Reman Only				Reman Only		
210-7001	210-7001-	27060-78305-71	Toyota	210-7023	210-7023-	27060-78201-71	Toyota
	Reman Only				Reman Only		
210-7002	210-7002-	100211-1662	DENSO	210-7024	210-7024-	102211-5850	DENSO
	Reman Only				Reman Only		
210-7002	210-7002-	27060-78001-71	Toyota	210-7024	210-7024-	27060-78700-71	Toyota
	Reman Only				Reman Only		
210-7003	210-7003-	100211-4004	DENSO	210-7025	210-7025-	27020-76003-71	Toyota
	Reman Only				Reman Only		
210-7003	210-7003-	27060-78301-71	Toyota	210-9000	210-9000	5812003410,	TCM Equipment
	Reman Only					5812003411	
210-7004	210-7004-	021000-4510	DENSO	210-9001	210-9001	23099-R8109	Nissan
	Reman Only			210-9002	210-9002	5812003350	TCM Equipment
210-7004	210-7004-	27020-78601-71	Toyota	210-9003	210-9003	23100-51H00	Nissan
	Reman Only			210-9004	210-9004	23100-U110	Nissan
210-7005	210-7005-	021000-8040	DENSO	210-9004	210-9004	23100-U110	TCM Equipment
	Reman Only			210-9005	210-9005	23100-L1802	Nissan
210-7005	210-7005-	27020-61110	Toyota	210-9006	210-9006	23100-L6001	Nissan
	Reman Only			210-9010	210-9010-	23100 50K10	Nissan
210-7006	210-7006-	101211-3080	DENSO		Reman Only		
	Reman Only			210-9011	210-9011-	S55N-18-300A	Hyster
210-7006	210-7006-	27060-66050	Toyota		Reman Only		
	Reman Only			210-9012	210-9012-	MD169683, MD169683D	Mitsubishi
210-7007	210-7007-	101211-3580	DENSO		Reman Only		
	Reman Only			210-9013	210-9013-	ME070120, ME070120D	Caterpillar
210-7007	210-7007-	27060-78153-71	Toyota		Reman Only		
	Reman Only			210-9013	210-9013-	ME070120, ME070120D	Clark
210-7013	210-7013-	102211-5200	DENSO		Reman Only		
	Reman Only			211-8000		18504-6470	Ishikawajima
210-7013	210-7013-	27060-78154-71	Toyota	211-8000		101211-8810	Ishikawajima
	Reman Only			211-8000		18504-6470	Ishikawajima

Cross Reference information is provided as a guide only. The Application information section should be referred to for specific applications
DENSO is not responsible for the application information of other manufacturers and distributors.

DENSO TO OEM CROSS REFERENCE



DENSO PART#	REMAN PART#	MANUFACTURER PART#	MANUFACTURER	DENSO PART#	REMAN PART#	MANUFACTURER PART#	MANUFACTURER
211-9000	210-9000	5812003410, 5812003411	TCM Equipment	228000-0970	9722809-097- Reman Only	16695-63012	Kubota
211-9001	210-9001	23099-R8109	Nissan	228000-0981	9722809-098- Reman Only	37560-63011	Kohler
211-9002	210-9002	5812003350	TCM Equipment	228000-0981	9722809-098- Reman Only	37560-63011	Kubota
211-9003	210-9003	23100-51H00	Nissan				
211-9004	210-9004	23100-U110	Nissan	228000-0991	9722809-099- Reman Only	19269-63012	Kubota
211-9004	210-9004	23100-U110	TCM Equipment				
211-9005	210-9005	23100-L1802	Nissan	228000-1000	9722809-100- Reman Only	15621-63014	Kubota
211-9006	210-9006	23100-L6001	Nissan				
228000-0022		TMD-27M509	Teledyne	228000-1022	9722809-102- Reman Only	15461-63013	Kubota
228000-0111		119285-77010	Yanmar				
228000-0121		191-1906	Onan	228000-1032	9722809-103- Reman Only	14279-63011	Kubota
228000-0142		119385-77010	Yanmar				
228000-0142		45-1335	Thermo King	228000-1041	9722809-104- Reman Only	17381-63014	Kubota
228000-0190		600-813-1430	Komatsu				
228000-0250	9722809-025 - Reman Only	TY25233	John Deere	228000-1052	9722809-105- Reman Only	19616-63012	Kubota
228000-0250	9722809-025 - Reman Only	TY25233	John Deere				
228000-0250	9722809-025 - Reman Only	TY25233	John Deere	228000-1060	9722809-106- Reman Only	19215-63012	Kubota
228000-0250	9722809-025 - Reman Only	129129-77010	Yanmar				
228000-0250	9722809-025 - Reman Only	129129-77010	Yanmar	228000-1071	9722809-107- Reman Only	19013-63012	Kubota
228000-0250	9722809-025 - Reman Only	129129-77010	Yanmar				
228000-0250	9722809-025 - Reman Only	129129-77010	Yanmar	228000-1071	9722809-107- Reman Only	25-39135-00	Carrier Transcold
228000-0250	9722809-025 - Reman Only	129129-77010	Yanmar				
228000-0251	9722809-025	129129-77010	Yanmar	228000-1071	9722809-107- Reman Only	25-39135-00	Kubota
228000-0251	9722809-025	TY25233	John Deere				
228000-0410		8-97061359-0	Isuzu	228000-1082	9722809-108- Reman Only	17341-63013	Kubota
228000-0520		127675-77010	Yanmar				
228000-0601	9722809-060- Reman Only	17123-63012	Kubota	228000-1091		F4HS-11001-BA TMD-27M521	Ford Teledyne
228000-0631		3920644	Cummins				
228000-0662	9722809-066- Reman Only	16661-63013	Kubota	228000-1190		911216600	Yale
228000-0691	9722809-066- Reman Only	16652-63012	Kubota	228000-1341	280-7069	143-0538	Caterpillar
228000-0691	9722809-066- Reman Only	16652-63012 (Kubota)	Gehl	228000-1351		3E-7905	Caterpillar
228000-0710		8-97065315-0	Isuzu	228000-1422		143-0539	Caterpillar
228000-0763	9722809-076- Reman Only	11197-63012	Kubota	228000-1431	280-7039	600-813-4470	Komatsu
228000-0791	9722809-079- Reman Only	16612-63011	Kubota	228000-1432	280-7039	600-813-4470	Komatsu
228000-0844		RE50165	John Deere	228000-1443	9722809-144	600-813-4460	Komatsu
228000-0844		RE54091	John Deere	228000-1444	9722809-144	600-813-4461	Komatsu
228000-0844		RE59588	John Deere	228000-1444	9722809-144	600-813-4460	Komatsu
228000-0951	9722809-095- Reman Only	16285-63011	Kubota	228000-1444	9722809-144	600-813-4461	Komatsu
228000-0961	9722809-095- Reman Only	16285-63011	Kubota	228000-1444	9722809-144	600-813-4460	Komatsu
228000-0961	9722809-096- Reman Only	67955-59211	Kubota	228000-1444	9722809-144	600-813-4461	Komatsu
				228000-1500		6V-5226	Caterpillar
				228000-1531	9722809-153- Reman Only	16611-63012	Kubota
				228000-1540		92AB-11000-KA	Ford Tractor
				228000-1752		3922474	Cummins
				228000-1832		143-0541	Caterpillar
				228000-1841	9722809-184- Reman Only	11173-63011	Kubota

Cross Reference information is provided as a guide only. The Application information section should be referred to for specific applications
DENSO is not responsible for the application information of other manufacturers and distributors.

DENSO TO OEM CROSS REFERENCE



DENSO PART#	REMAN PART#	MANUFACTURER PART#	MANUFACTURER	DENSO PART#	REMAN PART#	MANUFACTURER PART#	MANUFACTURER
228000-1870		MD184420	Mitsubishi	228000-3661	9722809-366-	19090-17861	Kubota
228000-1870		MD184420	Mitsui-Deutz		Reman Only		
228000-1893	280-7065	8-97042997-0	Isuzu	228000-3701	9722809-370	1053133, 10R-0754	Caterpillar
228000-1893	280-7065	3122813	Hyster	228000-3711	280-7051-	28100-23660-71	Toyota
228000-1893	280-7065	1347064	Hyster		Reman Only		
228000-1940		3921012	Cummins	228000-3721	280-7061-	28300-23660-71	Toyota
228000-1953	280-8000	1760057	Blue Bird		Reman Only		
228000-1953	280-8000	3920643	Various	228000-3732		129407-77010	Yanmar
228000-1953	280-8000	228000-0620 (ND)	Ottawa	228000-3732		YM 129407-77010	Komatsu
228000-2003		8-97048967-3	Isuzu	228000-3732		TY25237	John Deere
228000-2151	280-7070	TM27M00513	Teledyne	228000-3781		121120-77012	Yanmar
228000-2151	280-7070	TM27M00513	Wisconsin Robbins	228000-3790		119641-77011	Yanmar
228000-2160		TM27M00514	Teledyne	228000-3802	9722809-380	119209-77010	Yanmar
228000-2171		TM27M00515	Teledyne	228000-3811		1760065	Various
228000-2171		TM27M00515	Wisconsin Robbins	228000-3811		61230357	Thomas Built Buses
228000-2181	280-7071	TM27M00516	Teledyne	228000-3931	280-7015 -	28100-32850-71	Toyota
228000-2181	280-7071	TM27M00516	Wisconsin Robbins		Reman only		
228000-2201		3924466	Cummins	228000-4010		124795-77010	Yanmar
228000-2213		21163-2118	Kawasaki Heavy Industries	228000-4221		111-9860	Caterpillar
228000-2290	9722809-229	4741012	Dodge	228000-4230		111-9861	Caterpillar
228000-2292	9722809-229	3921682	Cummins	228000-4371	280-7013 -	28300-22003-71	Toyota
228000-2292	280-0275	4741012	Dodge		Reman only		
228000-2361		RE54416	John Deere	228000-4391	280-7002 -	28100-20553-71	Toyota
228000-2370		RE54874	John Deere		Reman only		
228000-2380		RE54909	John Deere	228000-4471	280-7072	40-2507901	Hercules
228000-2390		RE55641	John Deere	228000-4553		278000484	Bombardier
228000-2420		410-2123	Bombardier	228000-4560		278000576	Bombardier
228000-2470	280-7038	600-813-4490	Komatsu	228000-4572	9722809-457-	15425-63014	Kubota
228000-2471	280-7038	600-813-4490	Komatsu		Reman Only		
228000-2550		31558-94	Harley Davidson	228000-4581	9722809-458-	15833-63014	Kubota
228000-2560		119653-77010	Yanmar		Reman Only		
228000-2603	9722809-260-	E8015-63011	Kubota	228000-4593	9722809-459-	17123-63013	Kubota
	Reman Only				Reman Only		
228000-2640	9722809-264	2409801	Kohler	228000-4601		RE59589	John Deere
228000-2671		3925045	Cummins	228000-4611		RE59585	John Deere
228000-2780		293-153	Bombardier	228000-4631		RE65100	John Deere
228000-2807	9722809-280	8-97500231-0	Isuzu	228000-4671	280-8001	1769512	Blue Bird
228000-2807	9722809-280	8-97500358-1	Isuzu	228000-4671	280-8001	1308066H91	Komatsu
228000-2807	9722809-280	29112-34200	Isuzu	228000-4671	280-8001	1308066H91 (Komatsu)	Cummins
228000-2900		28100-16230-F	Isuzu	228000-4690		RE59583	John Deere
228000-2970		18508-6520	Ishikawajima	228000-4730		RE59584	John Deere
228000-3271		191-2107	Onan	228000-4741	9722809-474-	17121-63013	Kubota
228000-3311		3911343	Cummins		Reman Only		
228000-3311		61230355	Thomas Built Buses	228000-4752	9722809-475-	16652-63013	Kubota
228000-3321		3925045	Cummins		Reman Only		
228000-3321		228000-2670 (ND)	Ottawa	228000-4851	280-7012 -	28100-U2120-71	Toyota
228000-3321		61230354	Thomas Built Buses		Reman only		
228000-3520	280-7018 -	28100-35110	Toyota	228000-4861	280-7017 -	28300-U2100-71	Toyota
	Reman Only				Reman only		
228000-3610		119305-77010	Yanmar	228000-4870	9722809-487-	16617-63011	Kubota
					Reman Only		

Cross Reference information is provided as a guide only. The Application information section should be referred to for specific applications
DENSO is not responsible for the application information of other manufacturers and distributors.

DENSO TO OEM CROSS REFERENCE



DENSO PART#	REMAN PART#	MANUFACTURER PART#	MANUFACTURER	DENSO PART#	REMAN PART#	MANUFACTURER PART#	MANUFACTURER
228000-4910	9722809-491-Reman Only	12951-63012	Kubota	228000-5910	9722809-591 Reman Only	67980-31151	Kubota
228000-4920	9722809-492-Reman Only	17298-63011	Kubota	228000-6051		C07628	Clarke Detroit Diesel
228000-4940		6665324	Melroe-Bobcat	228000-6070		235907A1	Allison
228000-4992		60086-34111	Komatsu	228000-6091		191-2213	J.I. Case
228000-5003	9722809-500	600-863-5110	Komatsu	228000-6231		23519695	Onan
228000-5052		3282626	Cummins	228000-6250	9722809-625	28100-2510	Detroit Diesel
228000-5080		16883-63011 (Kubota)	Cummins	228000-6253	9722809-625	28100-2510	Hino
228000-5123	9722809-512	18508-6530	Ishikawajima	228000-6260 (1)		28100-2521A (B)	Hino
228000-5123	9722809-512 - Reman Only	18508-6530	Ishikawajima	228000-6291		119773-77010	Yanmar
228000-5160		5209814	Kohler	228000-6300		2909802	Kohler
228000-5211		6665654	Melroe-Bobcat	228000-6383		28100-2541A (B)	Hino
228000-5280		RE61406	John Deere	228000-6390		191-2212	Onan
228000-5311	280-8002	1935477	Blue Bird	228000-6400	280-7043	1453060	Yale
228000-5311	280-8002	61230712	Thomas Built Buses	228000-6401	280-7043	8504305	Hyster
228000-5311		NPD 2280005311	Freightliner	228000-6401	280-7043	8504305	Yale
228000-5382		8-97135343-2	Isuzu	228000-6471		RE68470	Atlas Copco
228000-5400	9722809-540-Reman Only	K3511-8411	Kubota	228000-6471		RE68470	John Deere
228000-5450		9143206	Yale	228000-6532		RE69704	Atlas Copco
228000-5463		1839281	Blue Bird	228000-6532		RE69704	John Deere
228000-5512		6667320	Melroe-Bobcat	228000-6532		C07825	Clarke
228000-5590	9722809-559-Reman Only	6A100-31151	Kubota	228000-6541		RE70473	John Deere
228000-5603		193432A1	J.I. Case	228000-6552		RE70474	John Deere
228000-5603		193432A1 (Case)	Cummins	228000-6552		C07837	Clarke
228000-5611		223900A1 (Case)	Cummins	228000-6562	280-7064	RE69705	John Deere
228000-5611		223900A1	J.I. Case	228000-6562	280-7064	65.26201-7050	Daewoo
228000-5622		3283813	Cummins	228000-6572		RE70475	John Deere
228000-5631		3283814	Cummins	228000-6641	280-8003	3922474	Cummins
228000-5731		6667825	Melroe-Bobcat	228000-6651		6669633	Melroe-Bobcat
228000-5741		6667987	Melroe-Bobcat	228000-6671	R6733-81-6510	3920644	Cummins
228000-5750		119255-77010	Yanmar	228000-6771		191-2229	Onan
228000-5750		YM119255-77010	Komatsu	228000-6870		257920A1	J.I. Case
228000-5761		191-2211	Onan	228000-6910		5151753051	Bombardier
228000-5790	9722809-579	757-26450	Lister Petter	228000-6921		6670727	Melroe-Bobcat
228000-5791	280-8021 - Reman Only	757-26450	Lister Petter	228000-6952	9722809-695-Reman Only	25-39192-00	Carrier Transcold
228000-5811		6667587	Melroe-Bobcat	228000-6952	9722809-695-Reman Only	19460-63013	Kubota
228000-5851	280-8019	1454651	Blue Bird	228000-6961	9722809-696-Reman Only	19410-63012	Kubota
228000-5851	280-8019	10461089	GMC	228000-7012		RE500199	John Deere
228000-5851	280-8019	10479215	Ford	228000-7071	280-7042	894878	Hyster
228000-5851	280-8019	90022950	Ottawa	228000-7111	9722809-711	AM879743, TY25234	John Deere
228000-5851	280-8019	61230359	Thomas Built Buses	228000-7121	280-8004	61230373	Thomas Built Buses
228000-5860	280-7041	1383240 (Hyster)	Yale	228000-7280		61230711	Thomas Built Buses
228000-5862	280-7041	1383240	Hyster	228000-7291		61230710	Thomas Built Buses
228000-5862	280-7041	8504304	Hyster	228000-7301	280-8005	1967561	Blue Bird
228000-5862	280-7041	8504304	Yale	228000-7301	280-8005	61230709	Thomas Built Buses
228000-5902		3283815	Cummins	228000-7371	280-8020	3520840C91	Navistar
				228000-7413		RE501060	John Deere
				228000-7471	9722809-747	TY25238	John Deere

Cross Reference information is provided as a guide only. The Application information section should be referred to for specific applications
DENSO is not responsible for the application information of other manufacturers and distributors.

DENSO TO OEM CROSS REFERENCE



DENSO PART#	REMAN PART#	MANUFACTURER PART#	MANUFACTURER	DENSO PART#	REMAN PART#	MANUFACTURER PART#	MANUFACTURER
228000-7480	9722809-748 - Reman only	1G023-63010	Kubota	280-7002	280-7002- Reman Only	28100-20553-71	Toyota
228000-7490		1930163	Blue Bird	280-7003	280-7003- Reman Only	028000-7812	DENSO
228000-7500		144-9955	Caterpillar	280-7003	280-7003- Reman Only	28100-31625-71	Toyota
228000-7520		160-4648	Caterpillar	280-7004	280-7004- Reman Only	128000-0472	DENSO
228000-7610	9722809-761 - Reman Only	17423-63012	Kubota	280-7004	280-7004- Reman Only	28100-31972-71	Toyota
228000-7610	9722809-761 - Reman Only	17423-63012	Kubota	280-7005	280-7005- Reman Only	128000-0974	DENSO
228000-7810	280-7045	1388721	Hyster	280-7005	280-7005- Reman Only	28100-40291-71	Toyota
228000-7810	280-7045	1388721	Yale	280-7006	280-7006- Reman Only	028000-7453	DENSO
228000-7850	9722809-785 - Reman Only	31200-ZJ1-841RM	Honda	280-7006	280-7006- Reman Only	28300-31960-71	Toyota
228000-7860	9722809-786 - Reman Only	31200-ZJ4-831RM	Honda	280-7007	280-7007- Reman Only	128000-8130	DENSO
228000-7873	9722809-787	RE501294	John Deere	280-7007	280-7007- Reman Only	28100-23800-71	Toyota
228000-7902		3957593	Cummins	280-7008	280-7008- Reman Only	128000-4113	DENSO
228000-7990	9722809-799	21163-7026	Kawasaki Heavy Industries	280-7008	280-7008- Reman Only	28300-23041-71	Toyota
228000-8182	Reman Only	8-97207786-0	Isuzu	280-7009	280-7009- Reman Only	028000-7521	DENSO
228000-8450		155-9849	Caterpillar	280-7009	280-7009- Reman Only	28100-31030	Toyota
228000-8460		282161A1	J.I. Case	280-7010	280-7010- Reman Only	028000-6813	DENSO
228000-8520	9722809-852	1439963H91	Komatsu	280-7010	280-7010- Reman Only	28100-37011	Toyota
228000-8571		332443A1	Case New Holland	280-7010	280-7010- Reman Only	28100-76011-71	Toyota
228000-8571		332443A1	Case International	280-7012	280-7012- Reman Only	228000-4851	DENSO
228000-8571		332443A1	Case New Holland	280-7012	280-7012- Reman Only	28100-U2120-71	Toyota
228000-9010		600-863-1310	Komatsu	280-7013	280-7013- Reman Only	228000-4371	DENSO
228000-9010	280-8022	600-863-1310	Komatsu	280-7013	280-7013- Reman Only	28300-22003-71	Toyota
228000-9020		RE65817	John Deere	280-7014	280-7014- Reman Only	028000-6823	DENSO
228000-9140		RE504244	John Deere	280-7014	280-7014- Reman Only	28100-31021	Toyota
228000-9150		RE504245	John Deere	280-7015	280-7015- Reman Only	228000-3931	DENSO
228000-9761		12596914	Chevrolet	280-7015	280-7015- Reman Only	28100-32850-71	Toyota
228000-9761		12596914	GMC		Reman Only		
228000-9761		12596914	Chevrolet		Reman Only		
228000-9761		12596914	GMC		Reman Only		
228000-9800	9722809-980 - Reman only	T1150-16800	Kubota		Reman Only		
280-3134		97209548	GMC		Reman Only		
280-3134		97720446	GMC		Reman Only		
280-3134		S14-101AR	Hitachi		Reman Only		
280-3134		S14-100ER	Hitachi		Reman Only		
280-7000	280-7000- Reman Only	128000-0623	DENSO		Reman Only		
280-7000	280-7000- Reman Only	28100-20552-71	Toyota		Reman Only		
280-7001	280-7001- Reman Only	028000-5864	DENSO		Reman Only		
280-7001	280-7001- Reman Only	28100-22061-71	Toyota		Reman Only		
280-7002	280-7002- Reman Only	228000-4391	DENSO		Reman Only		

Cross Reference information is provided as a guide only. The Application information section should be referred to for specific applications
DENSO is not responsible for the application information of other manufacturers and distributors.

DENSO TO OEM CROSS REFERENCE



DENSO PART#	REMAN PART#	MANUFACTURER PART#	MANUFACTURER	DENSO PART#	REMAN PART#	MANUFACTURER PART#	MANUFACTURER
280-7016	280-7016- Reman Only	128000-4102	DENSO	280-7038	280-7038	228000-2471	DENSO
280-7016	280-7016- Reman Only	28100-42800-71	Toyota	280-7038	280-7038	600-813-4490	Komatsu
280-7017	280-7017- Reman Only	228000-4861	DENSO	280-7039	280-7039	228000-1432	DENSO
280-7017	280-7017- Reman Only	28300-U2100-71	Toyota	280-7039	280-7039	600-813-4470	Komatsu
280-7018	280-7018- Reman Only	228000-3520	DENSO	280-7040	280-7040	128000-0960	DENSO
280-7018	280-7018- Reman Only	28100-35110	Toyota	280-7040	280-7040	323812	Hyster
280-7018	280-7018- Reman Only	28100-76023-71	Toyota	280-7041	280-7041	228000-5862	DENSO
280-7019	280-7019	3T-5649	Caterpillar	280-7041	280-7041	1383240	Hyster
280-7019	280-7019	028000-8230	DENSO	280-7041	280-7041	8504304	Hyster
280-7020	280-7020	6T-7004	Caterpillar	280-7042	280-7042	228000-7070	DENSO
280-7020	280-7020	128000-1050	DENSO	280-7042	280-7042	894878	Hyster
280-7021	280-7021	7X-1057	Caterpillar	280-7043	280-7043	228000-6401	DENSO
280-7021	280-7021	128000-6870	DENSO	280-7043	280-7043	8504305	Hyster
280-7023	280-7023	6T-7002	Caterpillar	280-7044	280-7044	428000-2490	DENSO
280-7023	280-7023	128000-0590	DENSO	280-7044	280-7044	8517523	Hyster
280-7024	280-7024	143-0536	Caterpillar	280-7045	280-7045	228000-7810	DENSO
280-7024	280-7024	7C-2264	Caterpillar	280-7045	280-7045	1388721	Hyster
280-7024	280-7024	8T-8619	Caterpillar	280-7046	280-7046	128000-6350	DENSO
280-7024	280-7024	128000-4084	DENSO	280-7046	280-7046	TMD-13M504	Teledyne
280-7025	280-7025	6T-7003	Caterpillar	280-7047	280-7047	TMD27M-506	Clark
280-7025	280-7025	128000-1040	DENSO	280-7047	280-7047	128000-3032	DENSO
280-7026	280-7026	3T-8209	Caterpillar	280-7047	280-7047	TMD-27M506	Teledyne
280-7026	280-7026	028000-9820	DENSO	280-8000	280-8000	228000-1953	DENSO
280-7027	280-7027	3T-8210	Caterpillar	280-8001	280-8001	228000-4671	DENSO
280-7027	280-7027	028000-8380	DENSO	280-8002	280-8002	228000-5311	DENSO
280-7028	280-7028	1109420	Caterpillar	280-8003	280-8003	228000-6641	DENSO
280-7028	280-7028	3T-8211	Caterpillar	280-8004	280-8004	228000-7121	DENSO
280-7028	280-7028	028000-8390	DENSO	280-8005	280-8005	228000-7301	DENSO
280-7029	280-7029	3T-8208	Caterpillar	280-8006	280-8006	228000-7381	DENSO
280-7029	280-7029	028000-9830	DENSO	280-8007	280-8007	228000-8410	DENSO
280-7030	280-7030	143-0535	Caterpillar	280-8008	280-8008	228000-8420	DENSO
280-7030	280-7030	6T-7001	Caterpillar	280-8009	280-8009	228000-8432	DENSO
280-7030	280-7030	128000-1062	DENSO	280-8010	280-8010	228000-8440	DENSO
280-7030	280-7030	128000-1062	DENSO	280-8011	280-8011	228000-8510	DENSO
280-7032	280-7032	TMD13M-502	Clark	280-8012	280-8012	228000-9750	DENSO
280-7032	280-7032	128000-2970	DENSO	280-8018	280-8018	428000-1600	DENSO
280-7032	280-7032	TMD-13M502	Teledyne	280-8019	280-8019	228000-5851	DENSO
280-7034	280-7034	128000-1002	DENSO	280-8020	280-8020	228000-7371	DENSO
280-7034	280-7034	600-813-3240	Komatsu	280-9000	280-9000	23300-48301	Nissan
280-7035	280-7035	128000-1012	DENSO	280-9003	280-9003	23100-C0600	TCM Equipment
280-7035	280-7035	600-813-3250	Komatsu	280-9004	280-9004	23300-U0100	Nissan
280-7036	280-7036	128000-9972	DENSO	280-9005	280-9005	23300-52H00	Nissan
280-7036	280-7036	600-813-1420	Komatsu	280-9005	280-9005	23300-52H00	TCM Equipment
280-7037	280-7037	128000-9962	DENSO	280-9006	280-9006	23300-L1800	Nissan
280-7037	280-7037	600-813-1410	Komatsu	280-9007	280-9007	23300-83W00	Nissan
				280-9008	280-9008	5-81100-080-1	TCM Equipment
				280-9009	280-9009	8-94453-212-0	Hyster
				280-9010	280-9010	23300-10602	Nissan
				280-9011	280-9011	23300-06J04	Nissan
				280-9012	280-9012	23300-Z5515	Nissan
				280-9015	280-9015- Reman Only	MD320618	Caterpillar

Cross Reference information is provided as a guide only. The Application information section should be referred to for specific applications
DENSO is not responsible for the application information of other manufacturers and distributors.

DENSO TO OEM CROSS REFERENCE



DENSO PART#	REMAN PART#	MANUFACTURER PART#	MANUFACTURER	DENSO PART#	REMAN PART#	MANUFACTURER PART#	MANUFACTURER
280-9015	280-9015-Reman Only	MD320618	Clark	281-9300		S13-211	Hitachi
280-9016	280-9016-Reman Only	MD171228, MD320618D	Clark	281-9301		45-1285	Thermo King
280-9017	280-9017-Reman Only	23300-K9160	TCM Equipment	281-9301		91-25-1037	Wilson
280-9018	280-9018-Reman Only	MD318086, MD318086D	Caterpillar	281-9301		S13-84B	Hitachi
280-9019	280-9019-Reman Only	MD189054	Nissan	421000-0282		56028697AD	Dodge
280-9019	280-9019-Reman Only	MD189054	Mitsubishi	421000-0282		56028697AD	Dodge
280-9020	280-9020-Reman Only	FESE-18-400	Yale	421000-0282		56028697AD	Dodge
280-9021	280-9021-Reman Only	23300-W9810	Nissan	428000-0070		3549408C91	International
280-9022	280-9022-Reman Only	4840-18-400B	Yale	428000-0071		3591688C91	International
280-9023	280-9023-Reman Only	TMSK-18-400	Mazda	428000-0131	280-0337 - Reman Only	RE522852	John Deere
280-9024	280-9024-Reman Only	34766-20900	Mitsubishi	428000-0461	280-0337 - Reman Only	12567709	Chevrolet
280-9025	280-9025-Reman Only	23300-00H10	Nissan	428000-0461	280-0337 - Reman Only	12567709	GMC
280-9039	280-9039-Reman Only	1362081	Hyster	428000-0930	9742809-093 - Reman Only	1G911-63011	Kubota
280-9040	280-9040-Reman Only	1457048	Hyster	428000-0930	9742809-093-Reman Only	25-39316-00	Carrier Transcold
281-8002		10465167	Chevrolet	428000-1120		2873K406	Perkins
281-8002		10465167	Chevrolet	428000-1120		2873K406	Perkins
281-8002		10465462	Chevrolet	428000-1160	9742809-116 - Reman only	1G069-63010	Kubota
281-8002		10465167	Chevrolet	428000-1190		4090084	Cummins
281-8002		10465462	Chevrolet	428000-1211		LAY42800-0030	DENSO
281-8002		10465167	Chevrolet	428000-1221		LAY42800-0040	DENSO
281-8002		10465462	Chevrolet	428000-1340		3957597	Cummins
281-8002		10465167	Chevrolet	428000-1422		LAY42800-0050	DENSO
281-8002		10465462	Chevrolet	428000-1442		LAY42800-0060	DENSO
281-8002		10465167	GMC	428000-1451		LAY42800-0070	DENSO
281-8002		10465462	GMC	428000-1610		10461089	GMC
281-8002		10465167	GMC	428000-1610		10479215	Ford
281-9000	280-9000	23300-48301	Nissan	428000-1610		61230359	Thomas Built Buses
281-9001		S114-170	Hitachi	428000-1610		90022950	Ottawa
281-9002		S114-182	Hitachi	428000-1660	9742809-166 - Reman Only	32A66-02100	Mitsubishi
281-9003	280-9003	23100-C0600	TCM Equipment	428000-1660	9742809-166 - Reman Only	32A66-02100	Mitsubishi
281-9004	280-9004	23300-U0100	Nissan	428000-1881		61231341	Thomas Built Buses
281-9005	280-9005	23300-52H00	Nissan	428000-1881		NPD 4280001881	Freightliner
281-9005	280-9005	23300-52H00	TCM Equipment	428000-2070	9742809-207	6681858	Melroe-Bobcat
281-9006	280-9006	23300-L1800	Nissan	428000-2070	9742809-207 - Reman Only	6681858	Melroe-Bobcat
281-9007	280-9007	23300-83W00	Nissan	428000-2081		8-97358062-1	Isuzu
281-9008	280-9008	5-81100-080-1	TCM Equipment	428000-2160		C07889	Clarke
281-9009	280-9009	8-94453-212-0	Hyster	428000-2170		C07888	Clarke
281-9010	280-9010	23300-10G02	Nissan	428000-2370		234-2637	Caterpillar
281-9011	280-9011	23300-06J04	Nissan	428000-2490	280-7044	8517523	Hyster
281-9012	280-9012	23300-Z5515	Nissan	428000-2503		28100-2911B	Hino
281-9300		45-1993	Thermo King	428000-2503		28100-2911B	Hino
				428000-2511	9742809-251	28100-2921A	Hino
				428000-2511	9742809-251	28100-2920	Hino
				428000-2511	9742809-251	28100-2921A	Hino

Cross Reference information is provided as a guide only. The Application information section should be referred to for specific applications
DENSO is not responsible for the application information of other manufacturers and distributors.

DENSO TO OEM CROSS REFERENCE



DENSO PART#	REMAN PART#	MANUFACTURER PART#	MANUFACTURER	DENSO PART#	REMAN PART#	MANUFACTURER PART#	MANUFACTURER
428000-2511	9742809-251	28100-2920	Hino	428000-5440		90032532	Ottawa
428000-2511	9742809-251	28100-2921A	Hino	428000-5530		RES25468	John Deere
428000-2581		8605783	Case	428000-5730		NPD 4280005730	Freightliner
428000-2581		8605783	J.I. Case	428000-5730		NPD 4280005730	Sterling
428000-2591		8605784	Case New Holland	428000-5750		RES34934	John Deere
428000-2591		8605784	Case New Holland	428000-5850		87593436	Case
428000-2640	9742809-264 Reman Only	K7561-61811	Kubota	428000-5940		4090084	Cummins
428000-2650		600-863-1410	Komatsu	428000-5940		4090084	Cummins
428000-2650	280-8023	600-863-1410	Komatsu	428000-5940		4090084	Dodge
428000-2690		3595800C91	International	428000-6110		4934925	Cummins
428000-2690		3595800C91	International	428000-6110		4934925	Dodge
428000-2840		61231352	Thomas Built Buses	428000-6340		87601407	J.I. Case
428000-2870		3971610	Cummins	5702100-728	5702100-728	CH10493	John Deere
428000-2880		3971611	Cummins	9700211-029	9700211-029	AR87205	John Deere
428000-2910		3971614	Cummins	9700211-029	9700211-029	AR93447	John Deere
428000-2920		3971651	Cummins	9700211-029	9700211-029	AR93448	John Deere
428000-2960	9742809-296	87413501	Case	9700211-029	9700211-029	AT103789	John Deere
428000-2960		87413501	Case International	9702108-902	9702108-902- Reman Only	15451-64013	Kubota
428000-2960	9742809-296	87413501	J.I. Case	9702109-255	9702109-255- Reman Only	15221-64012	Kubota
428000-3320		RE520634	John Deere	9702109-684	9702109-684- Reman Only	15411-64011	Kubota
428000-3690		C07819	Clarke	9702109-866	9702109-866- Reman Only	15253-64011	Kubota
428000-3690		C07819	Clarke	9702110-861	9702110-861- Reman Only	15276-64011	Kubota
428000-3690		C07819	Clarke	9702110-862	9702110-862- Reman Only	15471-64011	Kubota
428000-3900		C07820	Clarke	9702800-329	9702800-329	RE13722	John Deere
428000-3900		C07820	Clarke	9702800-381	9702800-381	AR46886	John Deere
428000-3900		C07820	Clarke	9702800-397	9702800-397	AR63341	John Deere
428000-4080		RE528619	John Deere	9702800-525	9702800-525	RE15663	John Deere
428000-4420		NPD 4280004420	Freightliner	9702809-486	9702809-486- Reman Only	15201-63011	Kubota
428000-4420		NPD 4280004420	Sterling	9702809-500	9702809-500- Reman Only	15451-63014	Kubota
428000-4430		NPD 4280004430	Freightliner	9702809-566	9702809-566	121420-77010	Yanmar
428000-4430		NPD 4280004430	Sterling	9702809-580	9702809-580- Reman Only	171022-77010	Yanmar
428000-4440		NPD 4280004440	Freightliner	9702809-588	9702809-588	116930A1	J.I. Case
428000-4630		87442359	Case New Holland	9702809-588	9702809-588	R39341	J.I. Case
428000-5120		90032414	Ottawa	9702809-606	9702809-606- Reman Only	15611-63011	Kubota
428000-5120			Blue Bird	9702809-614	9702809-614- Reman Only	19212-63011 (Kubota)	Carrier Transcold
428000-5120			Capacity of Texas	9702809-614	9702809-614- Reman Only	25-35458	Carrier Transcold
428000-5120			Capacity of Texas	9702809-626	Reman Only	299574	Universal
428000-5120		90032414	Ottawa	9702809-626- Reman Only			
428000-5220		4934036	Cummins				
428000-5230		NPD 4280005230	Sterling				
428000-5230		NPD 4280005230	FCCC				
428000-5230		NPD428000-5230	Freightliner Custom Chassis				
428000-5230			Freightliner Custom Chassis				
428000-5230		NPD 4280005230	Sterling				
428000-5310			Thomas Built Buses				
428000-5330		300-6868	Perkins				
428000-5330		300-6868	Perkins				
428000-5440		90032532	Ottawa				
428000-5440			Capacity of Texas				

Cross Reference information is provided as a guide only. The Application information section should be referred to for specific applications
DENSO is not responsible for the application information of other manufacturers and distributors.

DENSO TO OEM CROSS REFERENCE



DENSO PART#	REMAN PART#	MANUFACTURER PART#	MANUFACTURER	DENSO PART#	REMAN PART#	MANUFACTURER PART#	MANUFACTURER
9702809-626	9702809-626-Reman Only	19212-63011	Kubota	9712809-021	9712809-021	3904466	Cummins
9702809-713	9702809-713-Reman Only	15521-63012	Kubota	9712809-021	9712809-021	1987559C1	J.I. Case
9702809-746	9702809-746-Reman Only	15231-63014 (Kubota)	Onan	9712809-021	9712809-021	A170746	J.I. Case
9702809-746	9702809-746-Reman Only	15231-63015	Kubota	9712809-049	9712809-049	94039465	GMC
9702809-746	9702809-746-Reman Only	19293-63011	Kubota	9712809-049	9712809-049	1-81100234-0	Isuzu
9702809-747	9702809-747-Reman Only	16097-61361	Kubota	9712809-049	9712809-049	1-81100234-0 (Isuzu)	GMC
9702809-748	9702809-748-Reman Only	15221-63016	Kubota	9712809-071	9712809-071	121120-77010	Yanmar
9702809-773	9702809-773-Reman Only	15481-63013	Kubota	9712809-071	9712809-071	121120-77010 (Yanmar)	Thermo King
9702809-778	9702809-778-Reman Only	14601-63011	Kubota	9712809-071	9712809-071	121120-77011	Yanmar
9702809-780	9702809-780-Reman Only	15527-63011	Kubota	9712809-071	9712809-071	45-1312	Thermo King
9702809-832	9702809-832-Reman Only	15504-63011	Kubota	9712809-071	9712809-071	CH12741	John Deere
9702809-840	9702809-840	RE19275	John Deere	9712809-071	9712809-071	S-114-116 (Hitachi)	John Deere
9702809-840	9702809-840	RE51447	John Deere	9712809-072	9712809-072	171022-77011	Yanmar
9702809-840	9702809-840	RE54092	Atlas Copco	9712809-072	9712809-072	45-1251	Thermo King
9702809-843	9702809-843-Reman Only	15321-63016	Kubota	9712809-072	9712809-072	124520-77011	Yanmar
9702809-843	9702809-843-Reman Only	15501-63012	Kubota	9712809-074	9712809-074	CH12084	John Deere
9702809-884	9702809-884-Reman Only	14182-63011	Kubota	9712809-074	9712809-074	28100-1670A	Hino
9712109-060	9712109-060-Reman Only	15621-64011	Kubota	9712809-077	9712809-077	121420-77011	Yanmar
9712109-098	9712109-098-Reman Only	15763-64011	Kubota	9712809-079	9712809-079	CH19285	John Deere
9712109-112	9712109-112	27050-1102	Hino	9712809-079	9712809-079	28100-1680A	Hino
9712109-134	9712109-134-Reman Only	19489-64011	Kubota	9712809-134	9712809-134	17381-63011	Kubota
9712109-408	9712109-408	5234374	Dodge	9712809-147	9712809-147-Reman Only	19508-63011	Kubota
9712800-048	9712800-048	RE15718	John Deere	9712809-169	9712809-169-Reman Only	15833-63011	Kubota
9712800-369	9712800-369	RE23900	John Deere	9712809-216	9712809-216-Reman Only	15504-63010	Kubota
9712800-597	9712800-597	RE38336	John Deere	9712809-359	9712809-359-Reman Only	3911343	Champion
9712800-597	9712800-597	RE43266	John Deere	9712809-422	9712809-422	12106-63010	Kubota
9712800-597	9712800-597	RE54416	John Deere	9712809-487	9712809-487-Reman Only	19215-63011	Kubota
9712809-007	9712809-007-Reman Only	15621-63012	Kubota	9712809-490	9712809-490-Reman Only	3912084	Cummins
9712809-017	9712809-017-Reman Only	15461-63012	Kubota	9712809-491	9712809-491	4741012	Dodge
9712809-018	9712809-018-Reman Only	15511-63011	Kubota	9712809-491	9712809-491	3912084 (Cummins)	Dodge
9712809-020	9712809-020-Reman Only	11153-63012	Kubota	9712809-497	9712809-497	1114156	Caterpillar
				9712809-497	9712809-497	143-0540	Caterpillar
				9712809-497	9712809-497	8C-5580	Caterpillar
				9712809-509	9712809-509	28100-1930A	Hino
				9712809-530	9712809-530	28100-1960A	Hino
				9712809-541	9712809-541-Reman Only	19883-63011	Kubota
				9712809-550	9712809-550-Reman Only	21163-2077	Kubota
				9712809-572	9712809-572	3E-5382	Caterpillar
				9712809-572	9712809-572	9W-2946	Caterpillar
				9712809-573	9712809-573	3E-5381	Caterpillar
				9712809-573	9712809-573	8C-4774	Caterpillar
				9712809-573	9712809-573	9W-3748	Caterpillar
				9712809-591	9712809-591	28100-2052B	Hino

Cross Reference information is provided as a guide only. The Application information section should be referred to for specific applications
DENSO is not responsible for the application information of other manufacturers and distributors.

DENSO TO OEM CROSS REFERENCE



DENSO PART#	REMAN PART#	MANUFACTURER PART#	MANUFACTURER	DENSO PART#	REMAN PART#	MANUFACTURER PART#	MANUFACTURER
9712809-662	9712809-662-Reman Only	17311-63012	Kubota	9722809-105	9722809-105-Reman Only	19616-63011	Kubota
9712809-684	9712809-684-Reman Only	17331-63012	Kubota	9722809-105	9722809-105-Reman Only	19616-63012	Kubota
9712809-711	9712809-711-Reman Only	11420-63013	Kubota	9722809-106	9722809-106-Reman Only	19215-63011 (Kubota)	Carrier Transcold
9712809-715	9712809-715-Reman Only	12182-63011	Kubota	9722809-106	9722809-106-Reman Only	19215-63012	Kubota
9712809-846	9712809-846-Reman Only	34070-16801	Kubota	9722809-106	9722809-106-Reman Only	25-35465	Carrier Transcold
9712809-848	9712809-848-Reman Only	11460-63011	Kubota	9722809-107	9722809-107-Reman Only	19013-63011 (Kubota)	Carrier Transcold
9712809-854	9712809-854-Reman Only	12106-63011	Kubota	9722809-107	9722809-107-Reman Only	19013-63012	Kubota
9712809-950	9712809-950	3920403	Various	9722809-107	9722809-107-Reman Only	19013-63012 (Kubota)	Carrier Transcold
9712809-981	9712809-981	3921012	Cummins	9722809-107	9722809-107-Reman Only	19202-63011 (Kubota)	Carrier Transcold
9712809-995	9712809-995-Reman Only	16871-63011	Kubota	9722809-107	9722809-107-Reman Only	19821-63011 (Kubota)	Carrier Transcold
9722809-060	9722809-060-Reman Only	17123-63012	Kubota	9722809-107	9722809-107-Reman Only	25-37640	Carrier Transcold
9722809-066	9722809-066-Reman Only	16661-63013	Kubota	9722809-107	9722809-107-Reman Only	25-37725-00	Carrier Transcold
9722809-076	9722809-076-Reman Only	11197-63012	Kubota	9722809-107	9722809-107-Reman Only	25-38750-00	Carrier Transcold
9722809-079	9722809-079-Reman Only	16612-63011	Kubota	9722809-107	9722809-107-Reman Only	25-39135-00	Carrier Transcold
9722809-095	9722809-095-Reman Only	16271-63013	Kubota	9722809-107	9722809-107-Reman Only	25-39135-00 (Carrier)	Kubota
9722809-095	9722809-095-Reman Only	16285-63011	Kubota	9722809-108	9722809-108-Reman Only	17341-63011	Kubota
9722809-096	9722809-096-Reman Only	67955-59211	Kubota	9722809-108	9722809-108-Reman Only	17341-63013	Kubota
9722809-097	9722809-097-Reman Only	16695-63012	Kubota	9722809-153	9722809-153-Reman Only	16611-63012	Kubota
9722809-098	9722809-098-Reman Only	37560-63011	Kohler	9722809-184	9722809-184-Reman Only	11173-63011	Kubota
9722809-098	9722809-098-Reman Only	37560-63011	Kubota	9722809-229	9722809-229	3921682	Cummins
9722809-099	9722809-099-Reman Only	19269-63011	Kubota	9722809-229	9722809-229	4741012	Dodge
9722809-099	9722809-099-Reman Only	19269-63012	Kubota	9722809-260	9722809-260-Reman Only	E8015-63011	Kubota
9722809-100	9722809-100-Reman Only	15621-63014	Kubota	9722809-366	9722809-366-Reman Only	19090-17861	Kubota
9722809-102	9722809-102-Reman Only	15461-63013	Kubota	9722809-366	9722809-366-Reman Only	YM 129407-77010	Komatsu
9722809-103	9722809-103-Reman Only	14279-63011	Kubota	9722809-457	9722809-457-Reman Only	15425-63011	Kubota
9722809-104	9722809-104-Reman Only	17381-63013	Kubota	9722809-457	9722809-457-Reman Only	15425-63014	Kubota
9722809-104	9722809-104-Reman Only	17381-63014	Kubota	9722809-458	9722809-458-Reman Only	15833-63014	Kubota

Cross Reference information is provided as a guide only. The Application information section should be referred to for specific applications
DENSO is not responsible for the application information of other manufacturers and distributors.

DENSO TO OEM CROSS REFERENCE



DENSO PART#	REMAN PART#	MANUFACTURER PART#	MANUFACTURER	DENSO PART#	REMAN PART#	MANUFACTURER PART#	MANUFACTURER
9722809-459	9722809-459-Reman Only	17123-63013	Kubota	9760218-597	9760218-597	27040-1890A	Hino
9722809-467	9722809-467	1308066H91	Komatsu	9760218-605	9760218-605	RE37201	John Deere
9722809-474	9722809-474-Reman Only	17121-63013	Kubota	9760218-605	9760218-605	RE44140	John Deere
9722809-475	9722809-475-Reman Only	16652-63013	Kubota	9760218-678	9760218-678-Reman Only	16541-64011	Kubota
9722809-487	9722809-487-Reman Only	16617-63011	Kubota	9760218-680	9760218-680-Reman Only	17356-64012	Kubota
9722809-491	9722809-491-Reman Only	12951-63012	Kubota	9760218-688	9760218-688-Reman Only	16771-64012	Kubota
9722809-492	9722809-492-Reman Only	17298-63011	Kubota	9760218-880	9760218-880-Reman Only	33970-6401-5212	Kubota
9722809-500	9722809-500	600-863-5110	Komatsu	9761211-606	9761211-606	27040-1911A	Hino
9722809-540	9722809-540-Reman Only	K3511-8411	Kubota	9761211-614	9761211-614	27040-1920A	Hino
9722809-559	9722809-559-Reman Only	6A100-31151	Kubota	9761211-800	9761211-800	27040-1970A	Hino
9722809-664	9722809-664	3922474	Cummins	9761211-800	9761211-800	27040-1970B	Hino
9722809-667	9722809-667	3920644	Cummins	9761219-009	9761219-009-Reman Only	17559-64011	Kubota
9722809-696	9722809-696-Reman Only	19410-63012	Kubota	9761219-106	9761219-106-Reman Only	PH101-81401	Kubota
9722809-852	9722809-852	1439963H91	Komatsu	9761219-231	9761219-231	105-2812	Caterpillar
9760128-276	9760128-276	1-81200291-0	Isuzu	9761219-247	9761219-247	RE729171	John Deere
9760211-163	9760211-163-Reman Only	15881-64201	Kubota	9761219-249	9761219-249-Reman Only	TA043-74011	Kubota
9760211-172	9760211-172	1-81200287-2	Isuzu	9761219-341	9761219-341-Reman Only	17490-64011	Kubota
9760211-257	9760211-257	27040-1240A	Hino	9761219-440	9761219-440-Reman Only	17498-64011	Kubota
9760218-086	9760218-086	6N-9294	Caterpillar	9761219-602	9761219-602	2-91123-950-0	Isuzu
9760218-099	9760218-099-Reman Only	15451-99372	Kubota	9761219-610	9761219-610	100-5047	Caterpillar
9760218-167	9760218-167-Reman Only	16241-64011	Kubota	9761219-610	9761219-610	55-9088	Caterpillar
9760218-298	9760218-298	27040-1310A	Hino	9761219-610	9761219-610	6N-9294	Caterpillar
9760218-299	9760218-299	27040-1320A	Hino	9761219-796	9761219-796	60086-164102	Komatsu
9760218-430	9760218-430-Reman Only	17077-64011	Kubota	9761219-901	9761219-901	105-2814	Caterpillar
9760218-431	9760218-431-Reman Only	19883-64011	Kubota	9761219-902	9761219-902	105-2813	Caterpillar
9760218-439	9760218-439-Reman Only	17369-64011	Kubota	9772809-475	9772809-475-Reman Only	16652-63012	Kubota
9760218-452	9760218-452-Reman Only	16231-64011	Kubota	LAY42800-0060		1190359	Caterpillar
9760218-464	9760218-464-Reman Only	16705-64011	Kubota	LAY42800-0060		1990359	Various
9760218-465	9760218-465-Reman Only	34070-75601	Kubota	LAY42800-0060		1990453	Fiat-Allis
9760218-465	9760218-465-Reman Only	34070-75602	Kubota	LAY42800-0060		1990455	Cummins
9760218-595	9760218-595	27040-1900A	Hino	LAY42800-0060		1990455	Perkins
9760218-595	9760218-595	27050-1290A	Hino	LAY42800-0060		1993796	Various
9760218-596	9760218-596	27040-1780A	Hino	LAY42800-0060		1993797	J.I. Case
				LAY42800-0060		1993802	Caterpillar
				LAY42800-0060		1993804	Caterpillar
				LAY42800-0060		1993808	Caterpillar
				LAY42800-0060		1993814	Caterpillar
				LAY42800-0060		1993815	Caterpillar
				LAY42800-0060		428000-1442	DENSO
				LAY42800-0070		1990357	Various
				LAY42800-0070		428000-1451	DENSO
				LAY42800-0070		1113824	Caterpillar

Cross Reference information is provided as a guide only. The Application information section should be referred to for specific applications
DENSO is not responsible for the application information of other manufacturers and distributors.

DENSO TO OEM CROSS REFERENCE



DENSO PART#	REMAN PART#	MANUFACTURER PART#	MANUFACTURER	DENSO PART#	REMAN PART#	MANUFACTURER PART#	MANUFACTURER
LAY42800-0070		1113824	Various	LAY42800-0070		1114915	Allis-Chalmers
LAY42800-0070		1113825	Waukesha Engines	LAY42800-0070		1114916	Allis-Chalmers
LAY42800-0070		1113831	IHC	LAY42800-0070		1114923	Various
LAY42800-0070		1113842	Euclid	LAY42800-0070		1114923	Grove
LAY42800-0070		1113842	IHC	LAY42800-0070		1114935	Various
LAY42800-0070		1113845	Terex	LAY42800-0070		1114951	Terex
LAY42800-0070		1113846	IHC	LAY42800-0070		1114951	Cummins
LAY42800-0070		1113846	Caterpillar	LAY42800-0070		1114958	Various
LAY42800-0070		1113849	Terex	LAY42800-0070		1114963	Caterpillar
LAY42800-0070		1113850	Clark Equipment	LAY42800-0070		1114964	Caterpillar
LAY42800-0070		1113850	Various	LAY42800-0070		1990344	Various
LAY42800-0070		1113851	Euclid	LAY42800-0070		1990361	Freightliner
LAY42800-0070		1113855	Allis-Chalmers	LAY42800-0070		1990378	Various
LAY42800-0070		1113872	Clark Equipment	LAY42800-0070		1990382	Terex
LAY42800-0070		1113872	Euclid	LAY42800-0070		1990382	Fiat-Allis
LAY42800-0070		1113876	Clark Equipment	LAY42800-0070		1990388	IHC
LAY42800-0070		1113876	Terex	LAY42800-0070		1990418	Mack
LAY42800-0070		1113883	IHC	LAY42800-0070		1990418	Motor Coach
LAY42800-0070		1113887	Caterpillar	LAY42800-0070		1990437	Various
LAY42800-0070		1113887	IHC	LAY42800-0070		1990456	Cummins
LAY42800-0070		1113892	Allis-Chalmers	LAY42800-0070		1990491	Various
LAY42800-0070		1113895	Allis-Chalmers	LAY42800-0070		1990491	Grove
LAY42800-0070		1113898	Allis-Chalmers	LAY42800-0070		1993788	New Flyer Ind.
LAY42800-0070		1113898	Fiat-Allis	LAY42800-0070		1993802	Caterpillar
LAY42800-0070		1113900	Various	LAY42800-0070		1993805	Caterpillar
LAY42800-0070		1113914	IHC	LAY42800-0070		1993810	Caterpillar
LAY42800-0070		1113920	IHC	LAY42800-0070		1990344	Cummins
LAY42800-0070		1113926	Allis-Chalmers	LAY42800-0070		1990378	Cummins
LAY42800-0070		1113926	Fiat-Allis	LAY42800-0070		A170746	J.I. Case
LAY42800-0070		1113935	Ford Truck				
LAY42800-0070		1113952	Various				
LAY42800-0070		1113958	Western Star				
LAY42800-0070		1113965	Freightliner				
LAY42800-0070		1113968	Terex				
LAY42800-0070		1113975	Motor Coach				
LAY42800-0070		1113980	Terex				
LAY42800-0070		1113991	IHC				
LAY42800-0070		1114727	Various				
LAY42800-0070		1114728	Caterpillar				
LAY42800-0070		1114737	Caterpillar				
LAY42800-0070		1114846	Various				
LAY42800-0070		1114850	Various				
LAY42800-0070		1114851	Various				
LAY42800-0070		1114854	Various				
LAY42800-0070		1114873	Various				
LAY42800-0070		1114874	Various				
LAY42800-0070		1114875	Terex				
LAY42800-0070		1114878	Various				
LAY42800-0070		1114879	Various				
LAY42800-0070		1114880	Various				
LAY42800-0070		1114903	Waukesha Engines				
LAY42800-0070		1114907	Kenworth				

Cross Reference information is provided as a guide only. The Application information section should be referred to for specific applications
DENSO is not responsible for the application information of other manufacturers and distributors.

CROSS REFERENCE



MANUFACTURER PART#	DENSO PART#	REMAN PART#	MANUFACTURER	MANUFACTURER PART#	DENSO PART#	REMAN PART#	MANUFACTURER
3205	228000-8432	280-8009	Motorcraft	1113914	LAY42800-0070		IHC
89332	128000-2273		Versatile	1113920	LAY42800-0070		IHC
104668	128000-2480		Versatile	1113926	LAY42800-0070		Allis-Chalmers
180020	028000-2890		Mitsubishi	1113926	LAY42800-0070		Fiat-Allis
180020	028000-2890		Satoh	1113935	LAY42800-0070		Ford Truck
259241	028000-5460		Allis-Chalmers	1113952	LAY42800-0070		Various
268757	028000-4930		Allis-Chalmers	1113958	LAY42800-0070		Western Star
270324	028000-6782		Allis-Chalmers	1113965	LAY42800-0070		Freightliner
294350	128000-8250		Bombardier	1113968	LAY42800-0070		Terex
299574	028000-6261	9702809-626-Reman Only	Universal	1113975	LAY42800-0070		Motor Coach
323812	128000-0960	280-7040	Hyster	1113980	LAY42800-0070		Terex
450352	021000-7770		Allis-Chalmers	1113991	LAY42800-0070		IHC
821663	101211-3021		Mercury Marine	1114156	128000-4972	9712809-497	Caterpillar
828506	101211-3380		Mercury Marine	1114727	LAY42800-0070		Various
857006	101211-3600		Mercury Marine	1114728	LAY42800-0070		Caterpillar
887251	101211-1020		Bombardier	1114737	LAY42800-0070		Caterpillar
894878	228000-7071	280-7042	Hyster	1114846	LAY42800-0070		Various
995430	128000-1670		Bombardier	1114850	LAY42800-0070		Various
995430	128000-1671		Bombardier	1114851	LAY42800-0070		Various
995435	128000-4864		Bombardier	1114854	LAY42800-0070		Various
1053133	228000-3701	9722809-370	Caterpillar	1114873	LAY42800-0070		Various
1107539	028000-5040		Caterpillar	1114874	LAY42800-0070		Various
1109420	028000-8390	280-7028	Caterpillar	1114875	LAY42800-0070		Terex
1109422	028000-8230		Caterpillar	1114878	LAY42800-0070		Various
1113824	LAY42800-0070		Caterpillar	1114879	LAY42800-0070		Various
1113824	LAY42800-0070		Various	1114880	LAY42800-0070		Various
1113825	LAY42800-0070		Waukesha Engines	1114903	LAY42800-0070		Waukesha Engines
1113831	LAY42800-0070		IHC	1114907	LAY42800-0070		Kenworth
1113842	LAY42800-0070		Euclid	1114915	LAY42800-0070		Allis-Chalmers
1113842	LAY42800-0070		IHC	1114916	LAY42800-0070		Allis-Chalmers
1113845	LAY42800-0070		Terex	1114923	LAY42800-0070		Various
1113846	LAY42800-0070		IHC	1114923	LAY42800-0070		Grove
1113846	LAY42800-0070		Caterpillar	1114935	LAY42800-0070		Various
1113849	LAY42800-0070		Terex	1114951	LAY42800-0070		Terex
1113850	LAY42800-0070		Clark Equipment	1114951	LAY42800-0070		Cummins
1113850	LAY42800-0070		Various	1114958	LAY42800-0070		Various
1113851	LAY42800-0070		Euclid	1114963	LAY42800-0070		Caterpillar
1113855	LAY42800-0070		Allis-Chalmers	1114964	LAY42800-0070		Caterpillar
1113872	LAY42800-0070		Clark Equipment	1190359	LAY42800-0060		Caterpillar
1113872	LAY42800-0070		Euclid	1193804	LAY42800-0060		Caterpillar
1113876	LAY42800-0070		Clark Equipment	1209803	128000-7480		Kohler
1113876	LAY42800-0070		Terex	1336643	128000-0260		Allis-Chalmers
1113883	LAY42800-0070		IHC	1338509	128000-0430		Allis-Chalmers
1113887	LAY42800-0070		Caterpillar	1347064	228000-1893	280-7065	Hyster
1113887	LAY42800-0070		IHC	1362081		280-9039 -	Hyster
1113892	LAY42800-0070		Allis-Chalmers			Reman Only	
1113895	LAY42800-0070		Allis-Chalmers	1383240	228000-5862	280-7041	Hyster
1113898	LAY42800-0070		Allis-Chalmers	1388721	228000-7810	280-7045	Hyster
1113898	LAY42800-0070		Fiat-Allis	1388721	228000-7810	280-7045	Yale
1113898	LAY42800-0070		Allis-Chalmers	1453060	228000-6400		Yale
1113900	LAY42800-0070		Various	1454651	228000-5851	280-8019	Blue Bird

Cross Reference information is provided as a guide only. The Application information section should be referred to for specific applications
DENSO is not responsible for the application information of other manufacturers and distributors.

CROSS REFERENCE



MANUFACTURER PART#	DENSO PART#	REMAN PART#	MANUFACTURER	MANUFACTURER PART#	DENSO PART#	REMAN PART#	MANUFACTURER
1457048		280-9040- Reman Only	Hyster	3920328	128000-9800		Various
1760057	228000-1953	280-8000	Blue Bird	3920329	128000-9821		Cummins
1760065	228000-3811		Various	3920403	128000-9503	9712809-950	Various
1769512	228000-4671	280-8001	Blue Bird	3920643	228000-1953	280-8000	Various
1839281	228000-5463		Blue Bird	3920644	228000-0631		Cummins
1930163	228000-7490		Blue Bird	3920644	228000-6671	R6733-81-6510	Cummins
1935477	228000-5311	280-8002	Blue Bird	3921012	128000-9810	9712809-981	Cummins
1967561	228000-7301	280-8005	Blue Bird	3921012	228000-1940		Cummins
1990344	LAY42800-0070		Various	3921682	228000-2292	9722809-229	Cummins
1990357	LAY42800-0060		Various	3922474	228000-1752		Cummins
1990359	LAY42800-0060		Various	3922474	228000-6641	280-8003	Cummins
1990361	LAY42800-0070		Freightliner	3924466	228000-2201		Cummins
1990378	LAY42800-0070		Various	3925045	228000-2671		Cummins
1990382	LAY42800-0070		Terex	3957593	228000-7902		Cummins
1990382	LAY42800-0070		Fiat-Allis	3957597	428000-1340		Cummins
1990388	LAY42800-0070		IHC	3971610	428000-2870		Cummins
1990418	LAY42800-0070		Mack	3971611	428000-2880		Cummins
1990418	LAY42800-0070		Motor Coach	3971614	428000-2910		Cummins
1990437	LAY42800-0070		Various	3971615	428000-2920		Cummins
1990453	LAY42800-0060		Fiat-Allis	4090084	428000-1190		Cummins
1990455	LAY42800-0060		Cummins	4090084	428000-5940		Cummins
1990455	LAY42800-0060		Perkins	4090084	428000-5940		Cummins
1990456	LAY42800-0070		Cummins	4090084	428000-5940		Dodge
1990491	LAY42800-0070		Various	4412972	100211-2560		J.I. Case
1990491	LAY42800-0070		Grove	4530350	028000-6412		Allis-Chalmers
1993788	LAY42800-0070		New Flyer Ind.	4530388	028000-6400		Allis-Chalmers
1993796	LAY42800-0060		Various	4741012	128000-4911	9712809-491	Dodge
1993797	LAY42800-0060		J.I. Case	4741012	228000-2290	9722809-229	Dodge
1993802	LAY42800-0070		Caterpillar	4809803	028000-7610		Kohler
1993802	LAY42800-0060		Caterpillar	4934036	428000-5220		Cummins
1993804	LAY42800-0060		Caterpillar	4934925	428000-6110		Cummins
1993805	LAY42800-0070		Caterpillar	4934925	428000-6110		Dodge
1993808	42800-1442		Caterpillar	5209808	128000-4520		Kohler
1993810	LAY42800-0070		Caterpillar	5209814	228000-5160		Kohler
1993814	LAY42800-0060		Caterpillar	5234374	121000-4080	9712109-408	Dodge
1993815	LAY42800-0060		Caterpillar	6109801	028000-8251		Kohler
1993963	228000-9750		Caterpillar	6632415	028000-8400		Clark Bobcat
1998538	128000-3182		GM	6665324	228000-4940		Melroe-Bobcat
1998578	128000-4951		Chevrolet	6665654	228000-5211		Melroe-Bobcat
1998585	128000-5430		GM	6667320	228000-5512		Melroe-Bobcat
2409801	228000-2640		Kohler	6667587	228000-5811		Melroe-Bobcat
2909802	228000-6300		Kohler	6667825	228000-5731		Melroe-Bobcat
3122813	228000-1893	280-7065	Hyster	6667987	228000-5741		Melroe-Bobcat
3282626	228000-5052		Cummins	6669618	101211-1100		Melroe-Bobcat
3283813	228000-5622		Cummins	6669633	228000-6651		Melroe-Bobcat
3283814	228000-5631		Cummins	6670727	228000-6921		Melroe-Bobcat
3283815	228000-5902		Cummins	6672015	101211-7880		Melroe-Bobcat
3904466	128000-0545	9712809-021	Cummins	6681858	428000-2070		Melroe-Bobcat
3911343	128000-4220	9712809-422	Champion	6681858	428000-2070	9742809-207 - Reman Only	Melroe-Bobcat
3911343	228000-3311		Cummins				
3912084	128000-4911	9712809-491	Cummins	8192262	128000-7601		Volvo

Cross Reference information is provided as a guide only. The Application information section should be referred to for specific applications
DENSO is not responsible for the application information of other manufacturers and distributors.

CROSS REFERENCE



MANUFACTURER PART#	DENSO PART#	REMAN PART#	MANUFACTURER	MANUFACTURER PART#	DENSO PART#	REMAN PART#	MANUFACTURER
8504304	228000-5862	280-7041	Hyster	10461644	028000-6781		Delco Remy
8504304	228000-5862	280-7041	Yale	10461645	028000-7431		Delco Remy
8504305	228000-6401	280-7043	Hyster	10461645	128000-5331		Delco Remy
8504305	228000-6401	280-7043	Yale	10461645	128000-4340		Delco Remy
8517523	428000-2490	280-7044	Hyster	10461646	028000-7461	9702809-746-	Delco Remy
8605783	428000-2581		Case			Reman Only	
8605783	428000-2581		J.I. Case	10461646	028000-9570	9702809-746-	Delco Remy
8605784	428000-2591		Case New Holland			Reman Only	
8605784	428000-2591		Case New Holland	10461646	028000-7471	9702809-747-	Delco Remy
9143206	228000-5450		Yale			Reman Only	
10455053	428000-1820		Delco Remy	10461647	028000-8404	9702809-840	Delco Remy
10455702	128000-4951		Chevrolet	10461648	128000-0480	9712800-048	Delco Remy
10455703	128000-8111		Chevrolet	10461650	128000-2563		Delco Remy
10455704	128000-5430		GM	10461653	228000-5811		Delco Remy
10459141	101211-8060		Delco Remy	10461654	128000-5590		Delco Remy
10459142	101211-8120		Delco Remy	10461655	128000-5601		Delco Remy
10459143	101211-8020		Delco Remy	10461656	128000-5973	9712809-597	Delco Remy
10459144	101211-8050		Delco Remy	10461656	228000-2361		Delco Remy
10459145	101211-8060		Delco Remy	10461656	228000-4601		Delco Remy
10459206	101211-8060		Delco Remy	10461657	128000-7240		Delco Remy
10459278	101211-8380		Delco Remy	10461658	228000-2370		Delco Remy
10459440	100211-1721	9760211-172	Delco Remy	10461683	028000-9270		Delco Remy
10459495	100211-6050	9760218-605	Delco Remy	10461683	128000-0622		Delco Remy
10459517	100211-6420		Delco Remy	10461683	128000-1251		Delco Remy
10459519	100211-0292	9700211-029	Delco Remy	10461684	128000-4390		Delco Remy
10459521	021000-6840	9702109-684	Delco Remy	10461685	228000-8510	280-8011	Delco Remy
10461047	LAY42800-0070		Delco Remy	10461714	028000-1730		Delco Remy
10461054	LAY42800-0070		Delco Remy	10461714	028000-1740		Delco Remy
10461068	LAY42800-0070		Delco Remy	10461714	028000-2001		Delco Remy
10461089	228000-5851	280-8019	GMC	10461714	028000-4270		Delco Remy
10461089	428000-1610		GMC	10465043	428000-1600	280-8018	Delco Remy
10461089	228000-5851	280-8019	Delco Remy	10465167	281-8002		Chevrolet
10461089	428000-1610		Delco Remy	10465167	281-8002		Chevrolet
10461098	228000-9750		Delco Remy	10465167	281-8002		Chevrolet
10461169	428000-2690		Delco Remy	10465167	281-8002		Chevrolet
10461170	228000-7371	280-8020	Delco Remy	10465167	281-8002		GMC
10461276	228000-8510	280-8011	Delco Remy	10465167	281-8002		GMC
10461358	LAY42800-0060		Delco Remy	10465440	128000-0710	9712809-071	Delco Remy
10461431	228000-5851	280-8019	Delco Remy	10465442	028000-6440		Delco Remy
10461431	428000-1610		Delco Remy	10465442	028000-7791		Delco Remy
10461519	028000-8630		Delco Remy	10465442	128000-0020		Delco Remy
10461520	128000-0491	9712809-049	Delco Remy	10465442	128000-0960	280-7040	Delco Remy
10461520	128000-0494	9712809-049	Delco Remy	10465442	128000-2881		Delco Remy
10461521	228000-2807		Delco Remy	10465444	128000-0721	9712809-072	Delco Remy
10461626	028000-3292		Delco Remy	10465445	128000-0570		Delco Remy
10461626	128000-0772		Delco Remy	10465462	281-8002		Chevrolet
10461627	028000-3971	9702800-397	Delco Remy	10465462	281-8002		Chevrolet
10461628	028000-5251	9702800-525	Delco Remy	10465462	281-8002		GMC
10461630	028000-5884	9702809-588	Delco Remy	10465528	228000-3311		Delco Remy
10461640	128000-0050		Delco Remy	10465528	128000-4220	9712809-422	Delco Remy
10461642	228000-5731		Delco Remy	10465529	128000-4900	9722809-106-	Delco Remy
10461643	228000-5510		Delco Remy			Reman Only	

Cross Reference information is provided as a guide only. The Application information section should be referred to for specific applications
DENSO is not responsible for the application information of other manufacturers and distributors.

CROSS REFERENCE



MANUFACTURER PART#	DENSO PART#	REMAN PART#	MANUFACTURER	MANUFACTURER PART#	DENSO PART#	REMAN PART#	MANUFACTURER
10465530	228000-2292	9722809-229	Delco Remy	87413501	428000-2960	9742809-296	J.I. Case
10465530	228000-2292	280-0275	Delco Remy	87422777	102211-9090		Case New Holland
10465531	128000-0141	9722809-107-Reman	Delco Remy	87442359	428000-4630		Case New Holland
		Only		87593436	428000-5850		Case
10465531	228000-1071	9722809-107-Reman	Delco Remy	87601407	428000-6340	280-8019	J.I. Case
		Only		90022950	228000-5851		Ottawa
10465532	128000-9504	9712809-950	Delco Remy	90022950	428000-1610		Ottawa
10465533	228000-1953	280-8000	Delco Remy	90032414	428000-5120		Ottawa
10465534	228000-0631		Delco Remy	90032414	428000-5120		Ottawa
10465534	228000-1751		Delco Remy	90032532	428000-5440		Ottawa
10465534	228000-6670		Delco Remy	90032532	428000-5440		Ottawa
10465535	128000-4910	9712809-491	Delco Remy	94039465	128000-0494	9712809-049	GMC
10465536	228000-5003	9722809-500	Delco Remy	94047827	100211-2750		GMC
10465537	228000-5622		Delco Remy	94137345	100211-1331		Chevrolet
10465538	228000-5630		Delco Remy	97038565	100211-1721		GMC
10465539	228000-5902			97209548	280-3134		GMC
10465540	128000-0545	9712809-021	Delco Remy	97720446	280-3134		GMC
10465541	228000-3321		Delco Remy	278000484	228000-4553		Bombardier
10465584	128000-0740	9712809-074	Delco Remy	278000576	228000-4560		Bombardier
10479215	228000-5851	280-8019	Ford	410209200	128000-4291		Bombardier
10479215	428000-1610		Ford	429917500	028000-9800		Fuji Heavy Industries
10479215	228000-5851	280-8019	Delco Remy	911216600	228000-1341	280-7069	Yale
10479226	228000-5851	280-8019	Delco Remy	5151753051	228000-6910		Bombardier
12567709		280-0337	Delco Remy	5812003350	211-9002	210-9002	TCM Equipment
12596914	228000-9761			5812003410	211-9000	210-9000	TCM Equipment
12596914	228000-9761		Chevrolet	5812003411	211-9000	210-9000	TCM Equipment
12596914	228000-9761		GMC	7934025168	128000-7670		Peugeot
19011150	101211-8050		Various	001 366025	128000-2280		Thermo King
19011151	101211-8020		Various	028000-5730	128000-0710	9712809-071	Denso OE
19011152	101211-8120		Volvo	028000-5800	028000-5800		Denso OE
19011154	101211-8020		International	028000-6140	028000-6140	9702809-614	Denso OE
19011155	101211-8060		Various	04401561	028000-2442		Mitsui-Deutz
19011157	101211-8060		Various	04405242	021000-2252		Mitsui-Deutz
19011167	101211-8060		Various	04405442	021000-2901		Mitsui-Deutz
19011177	101211-8380		Freightliner	04405463	021000-4271		Mitsubishi
19020303	101211-8120		Delco Remy	04405463	021000-4271		Mitsui-Deutz
23519695	228000-6231		Detroit Diesel	04405892	028000-3570		Mitsui-Deutz
61230354	228000-3321		Thomas Built Buses	04408422	021000-4711		Mitsui-Deutz
61230355	228000-3311		Thomas Built Buses	04410711	028000-6340		Mitsui-Deutz
61230357	228000-3811		Thomas Built Buses	04410780	028000-7741		Mitsui-Deutz
61230359	228000-5851	280-8019	Thomas Built Buses	04410870	100210-1750		Mitsui-Deutz
61230373	228000-7121	280-8004	Thomas Built Buses	04411210	021000-8870		Mitsui-Deutz
61230709	228000-7301	280-8005	Thomas Built Buses	04412972	100211-2560		Mitsui-Deutz
61230710	228000-7291		Thomas Built Buses	100-5047	101211-6100	9761219-610	Caterpillar
61230711	228000-7280		Thomas Built Buses	105-2811	101211-2240		Caterpillar
61230712	228000-5311	280-8002	Thomas Built Buses	105-2812	101211-2310	9761219-231	Caterpillar
61231320	428000-1610		Thomas Built Buses	105-2813	101211-9020	9761219-902	Caterpillar
61231341	428000-1881		Thomas Built Buses	105-2814	101211-9010	9761219-901	Caterpillar
61231352	428000-2840		Thomas Built Buses	10R-0754	228000-3701	9722809-370	Caterpillar
87413501	428000-2960		J.I. Case	11153-63012	128000-0201	9712809-020-	Kubota
87413501	428000-2960	9742809-296	J.I. Case			Reman Only	
87413501	428000-2960		Case International				

Cross Reference information is provided as a guide only. The Application information section should be referred to for specific applications
 DENSO is not responsible for the application information of other manufacturers and distributors.

CROSS REFERENCE



MANUFACTURER PART#	DENSO PART#	REMAN PART#	MANUFACTURER	MANUFACTURER PART#	DENSO PART#	REMAN PART#	MANUFACTURER
11173-63011	228000-1841	9722809-184-Reman Only	Kubota	121420-77011 (Yanmar)	128000-0793	9712809-079	John Deere
11197-63012	228000-0763	9722809-076-Reman Only	Kubota	12182-63011	128000-7150	9712809-715-Reman Only	Kubota
111-9860	228000-4221		Caterpillar	124520-77010	028000-7640		Yanmar
111-9861	228000-4230		Caterpillar	124520-77011	128000-0740	9712809-074	Yanmar
11420-63013	128000-7110	9712809-711-Reman Only	Kubota	124795-77010	228000-4010		Yanmar
11460-63011	128000-8481	9712809-848-Reman Only	Kubota	127675-77010	228000-0520		Yanmar
				128000-0570	128000-2280		Denso OE
116928A1	128000-5625		J.I. Case	128000-0710	128000-0710	9712809-071	Denso OE
116928A23	128000-5625		J.I. Case	128000-0720	128000-0721	9712809-072	Denso OE
116930A1	028000-5884	9702809-588	J.I. Case	128000-2280	128000-2280		Denso OE
119209-77010	228000-3802		Yanmar	128000-4900	128000-4900	9772809-106	Denso OE
119209-77010	228000-3802	9722809-380	Yanmar	129129-77010	228000-0251		Yanmar
119255-77010	228000-5750		Yanmar	129129-77010	228000-0250	9722809-025 - Reman Only	Yanmar
119285-77010	228000-0111		Yanmar			9722809-025 - Reman Only	Yanmar
119285-77010	228000-3802		Yanmar				
119285-77010	228000-3802	9722809-380	Yanmar	129129-77010	228000-0250	9722809-025 - Reman Only	Yanmar
119305-77010	228000-3610		Yanmar				
119385-77010	228000-0142		Yanmar	129407-77010	228000-3732		Yanmar
119385-77010	228000-0142		Yanmar	129423-77200	101211-1170		Yanmar
119620-77011	128000-1152		Yanmar	129429-77010	128000-7301		Yanmar
119620-77200	100211-0940		Yanmar	12951-63012	228000-4910	9722809-491-Reman Only	Kubota
119620-77202	100211-4531		Yanmar				
119626-77011	228000-7471	9722809-747	Yanmar	129961-77200	101211-2590		Yanmar
119641-77010	128000-3410		Yanmar	130806H91	228000-4671	280-8001	Komatsu
119641-77011	228000-3790		Yanmar	130806H91 (Komatsu)	228000-4671	280-8001	Cummins
119653-77010	228000-2560		Yanmar	1383240 (Hyster)	228000-5860		Yale
119773-77010	228000-6291		Yanmar				
119773-77200	101211-9940		Yanmar	14182-63011	028000-8843	9702809-884-Reman Only	Kubota
12-098-03	128000-7480	9712809-748	Kohler				
12-098-03	228000-2640	9722809-264	Kohler	14279-63011	228000-1032	9722809-103-Reman Only	Kubota
12106-63010	128000-4870	9712809-487-Reman Only	Kubota				
12106-63011	128000-8540	9712809-854-Reman Only	Kubota	143-0535	128000-1062	280-7030	Caterpillar
				143-0536	128000-4084	280-7024	Caterpillar
121120-77010	028000-5730	9712809-071	Yanmar	143-0537	128000-4092		Caterpillar
121120-77010	128000-0710	9712809-071	Yanmar	143-0538	228000-1351		Caterpillar
121120-77010 (Yanmar)	128000-0710	9712809-071	Thermo King	143-0539	228000-1422	9722809-142	Caterpillar
121120-77011	128000-0710	9712809-071	Yanmar	143-0540	128000-4972	9712809-497	Caterpillar
121120-77011	228000-3802	9722809-380	Yanmar	143-0541	228000-1832		Caterpillar
121120-77011 (Yanmar)	128000-0710	9712809-071	John Deere	1439963H91	228000-8520	9722809-852	Komatsu
121120-77011 (Yanmar)	128000-0710	9712809-071	Thermo King	144-9954	101211-2770		Caterpillar
121120-77012	228000-3781	9722809-378-Reman Only	Yanmar	144-9955	228000-7500		Caterpillar
				144-9963	102211-1830		Caterpillar
121420-77010	028000-5662	9702809-566	Yanmar	144-9964	102211-1820		Caterpillar
121420-77011	128000-0793	9712809-079	Yanmar	14601-63011	028000-7781	9702809-778-Reman Only	Kubota
				15109-63012	028000-2452		Kubota
				15201-63011	028000-4860	9702809-486-Reman Only	Kubota

Cross Reference information is provided as a guide only. The Application information section should be referred to for specific applications
DENSO is not responsible for the application information of other manufacturers and distributors.

CROSS REFERENCE



MANUFACTURER PART#	DENSO PART#	REMAN PART#	MANUFACTURER	MANUFACTURER PART#	DENSO PART#	REMAN PART#	MANUFACTURER
15221-63016	028000-7480	9702809-748-Reman Only	Kubota	15611-63011	028000-6063	9702809-606-Reman Only	Kubota
15221-64012	021000-2551	9702109-255-Reman Only	Kubota	15621-63012	128000-0071	9712809-007-Reman Only	Kubota
15231-63014 (Kubota)	028000-7462	9702809-746-Reman Only	Onan	15621-63014	228000-1000	9722809-100-Reman Only	Kubota
15231-63015	028000-7462	9702809-746-Reman Only	Kubota	15621-64011	121000-0600	9712109-060-Reman Only	Kubota
15253-64011	021000-8660	9702109-866-Reman Only	Kubota	15763-64011	121000-0980	9712109-098-Reman Only	Kubota
15271-63011	028000-4520	9702110-861-Reman Only	Kubota	15833-63011	128000-2161	9712809-216-Reman Only	Kubota
15276-64011	021000-8610	9702110-861-Reman Only	Kubota	15833-63012	128000-8550	9712809-855	Kubota
15321-63016	028000-3611	9702809-843-Reman Only	Kubota	15833-63014	228000-4581	9722809-458-Reman Only	Kubota
15401-63011	028000-4201	9702109-684-Reman Only	Kubota	15881-64201	100211-1630	9760211-163-Reman Only	Kubota
15411-64011	021000-6840	9702109-684-Reman Only	Kubota	160-4648	228000-7520		Caterpillar
15425-63011	028000-9032	9722809-457	Kubota	16097-61361	028000-7471	9702809-747-Reman Only	Kubota
15425-63014	228000-4572	9722809-457-Reman Only	Kubota	16210-64012	101211-1350	9761219-135 - Reman Only	Kubota
15451-63014	028000-5004	9702809-500-Reman Only	Kubota	16231-64011	100211-4520	9760218-452-Reman Only	Kubota
15451-64013	021000-9020	9702108-902-Reman Only	Kubota	16241-64011	100211-1670	9760218-167-Reman Only	Kubota
15451-99372	100211-0991	9760218-099-Reman Only	Kubota	16271-63013	128000-5261	9722809-095-Reman Only	Kubota
15461-63012	128000-0170	9712809-017-Reman Only	Kubota	16285-63011	228000-0951	9722809-095-Reman Only	Kubota
15461-63013	228000-1022	9722809-102-Reman Only	Kubota	16427-64012	100211-4610	9760218-461 - Reman Only	Kubota
15471-64011	021000-8620	9702110-862-Reman Only	Kubota	16427-64012	100211-4610	9760218-461 - Reman Only	Kubota
15481-63013	028000-7733	9702809-773-Reman Only	Kubota	16427-64012	100211-4610	9760218-461 - Reman Only	Kubota
15481-63013	028000-7733	9702809-773-Reman Only	Kubota	16495-64013	100211-4770	9760218-477 - Reman Only	Kubota
15501-63012	028000-8432	9702809-843-Reman Only	Kubota	16541-64011	100211-6780	9760218-678-Reman Only	Kubota
15504-63010	128000-3591	9712809-359-Reman Only	Kubota	16611-63012	228000-1531	9722809-153-Reman Only	Kubota
15504-63011	028000-8320	9702809-832-Reman Only	Kubota	16612-63011	228000-0791	9722809-079-Reman Only	Kubota
15511-63011	128000-0181	9712809-018-Reman Only	Kubota	16615-64012	101211-2850	9761219-285 - Reman Only	Kubota
15521-63012	028000-7133	9702809-713-Reman Only	Kubota	16617-63011	228000-4870	9722809-487-Reman Only	Kubota
15527-63011	028000-7803	9702809-780-Reman Only	Kubota	16652-63012	228000-0691	9772809-475-Reman Only	Kubota
155-9849	228000-8450		Caterpillar	16652-63012 (Kubota)	228000-0691		Gehl
15601-63012	028000-6250		Kubota				

Cross Reference information is provided as a guide only. The Application information section should be referred to for specific applications
DENSO is not responsible for the application information of other manufacturers and distributors.

CROSS REFERENCE



MANUFACTURER PART#	DENSO PART#	REMAN PART#	MANUFACTURER	MANUFACTURER PART#	DENSO PART#	REMAN PART#	MANUFACTURER
16652-63013	228000-4752	9722809-475-Reman Only	Kubota	17381-63013	128000-1161	9722809-104-Reman Only	Kubota
16661-63013	228000-0664	9722809-066-Reman Only	Kubota	17381-63014	228000-1041	9722809-104-Reman Only	Kubota
16678-64012	100211-4730	9760218-473 - Reman Only	Kubota	17423-63012	228000-7610	9722809-761 - Reman Only	Kubota
16678-64012	100211-4730	9760218-473 - Reman Only	Kubota	17490-64011	101211-3410	9761219-341-Reman Only	Kubota
16695-63012	228000-0970	9722809-097-Reman Only	Kubota	177-9953	101211-8270		Caterpillar
16705-64011	100211-4640	9760218-464-Reman Only	Kubota	1-81100141-0	028000-6200		Isuzu
16771-64012	100211-6881	9760218-688-Reman Only	Kubota	1-81100230-1	128000-2451		Isuzu
16871-63011	128000-9951	9712809-995-Reman Only	Kubota	1-81100231-0	128000-2471		Isuzu
16883-63011 (Kubota)	228000-5080		Cummins	1-81100234-0	128000-0494	9712809-049	Isuzu
169-3345	101211-8300		Caterpillar	1-81100234-0	128000-0494	9712809-049	GMC
169-3345	101211-8300		Caterpillar	1-81100239-0	128000-2742		Isuzu
17077-64011	100211-4300	9760218-430-Reman Only	Kubota	1-81100261-0	128000-5510		Isuzu
171022-77010	028000-5800		Yanmar	1-81200024-0	100210-0790		Isuzu
171022-77010 (Yanmar)	028000-5800		Thermo King	1-81200025-0	021000-3480		Isuzu
171022-77011	128000-0721	9712809-072	Yanmar	1-81200286-1	100211-1711		Isuzu
17121-63012	128000-8550	9712809-855	Kubota	1-81200287-1	100211-1721		Isuzu
17121-63013	228000-4741	9722809-474-Reman Only	Kubota	1-81200287-1	100211-1721		GMC
17123-63012	228000-0601	9722809-060-Reman Only	Kubota	1-81200287-2	100211-1721	9760211-172	Isuzu
17123-63013	228000-4593	9722809-459-Reman Only	Kubota	1-81200288-1	100211-1732		Isuzu
171353-77010	128000-2070		Yanmar	1-81200291-0	100211-2760	9760128-276	Isuzu
171353-77010	128000-2070	9712809-207	Yanmar	1-81200319-0	100213-0440		Isuzu
17298-63011	228000-4920	9722809-492-Reman Only	Kubota	1-81200320-2	100211-2710		Isuzu
17311-63012	128000-6623	9712809-662-Reman Only	Kubota	1-81200321-2	100211-2702		Isuzu
17331-63012	128000-6843	9712809-684-Reman Only	Kubota	1-81200328-1	100213-0386		Isuzu
17341-63011	128000-6640	9722809-108-Reman Only	Kubota	1-81200338-0	100211-2750		Isuzu
17341-63013	228000-1082	9722809-108-Reman Only	Kubota	1-81200351-0	100213-0630		Isuzu
17356-64012	100211-6801	9760218-680-Reman Only	Kubota	1-81200356-0	100211-5710		Isuzu
17369-64011	100211-4390	9760218-439-Reman Only	Kubota	1-81200369-0	121000-2380		Isuzu
17381-63011	128000-1470	9712809-147-Reman Only	Kubota	1-81200386-0	100211-5750		Isuzu
				18504-6050	021000-4560		Ishikawajima
				18504-6170	121000-0580		Ford Tractor
				18504-6220	100211-1680		Ishikawajima
				18504-6330	100211-4790		Ishikawajima
				18504-6430	101211-1310		Ishikawajima
				18504-6470	211-8000		Ishikawajima
				18504-6470	211-8000		Ishikawajima
				18508-6180	028000-6350		Ishikawajima
				18508-6280	028000-9113		Ishikawajima
				18508-6340	128000-0102		Northern Lights/Luggar
				18508-6440	128000-7740		Ishikawajima
				18508-6520	228000-2970		Ishikawajima
				18508-6530	228000-5123		Ishikawajima
				18508-6530	228000-5123	9722809-512	Ishikawajima
				19013-63011 (Kubota)	128000-6280	9722809-107-Reman Only	Carrier Transcold
				19013-63012	228000-1071	9722809-107-Reman Only	Kubota

Cross Reference information is provided as a guide only. The Application information section should be referred to for specific applications. DENSO is not responsible for the application information of other manufacturers and distributors.

CROSS REFERENCE



MANUFACTURER PART#	DENSO PART#	REMAN PART#	MANUFACTURER	MANUFACTURER PART#	DENSO PART#	REMAN PART#	MANUFACTURER
19013-63012 (Kubota)	228000-1071	9722809-107-	Carrier Transicold	1987559C1	128000-0216	9712809-021	J.I. Case
19090-17861	228000-3661	9722809-366-	Kubota	1987566C1	128000-2563		J.I. Case
		Reman Only		1987586C1	128000-3122		J.I. Case
191-1117	028000-5920		Onan	19883-63011	128000-5411	9712809-541-	Kubota
191-1906	228000-0121		Onan	19883-64011	100211-4310	Reman Only	Kubota
191-2107	228000-3271		Onan			9760218-431-	Kubota
191-2211	228000-5761		Onan	1990344, 1990378	LAY42800-0070		Cummins
191-2212	228000-6390		Onan	1G023-63010	228000-7480	9722809-748 -	Kubota
191-2213	228000-6091		Onan			Reman only	
191-2229	228000-6771		Onan	1G069-63010	428000-1160	9742809-116 -	Kubota
19202-63011 (Kubota)	028000-7830	9722809-107-	Carrier Transicold			Reman only	
19212-63011	028000-6261	Reman Only		1G911-63011	428000-0930	9742809-093-	Kubota
		9702809-626-	Kubota	1U1-81800-51	128000-3762	Reman Only	Yamaha
		Reman Only		203-5492	102211-3030		Caterpillar
19212-63011	028000-6140	9702809-614	Kubota	203-5492	102211-3030		Caterpillar
19212-63011 (Kubota)	028000-6140	9702809-614-	Carrier Transicold	208-70501-10	028000-4420		Fuji Heavy Industries
		Reman Only		208-70502-00	028000-2551		Fuji Heavy Industries
19215-63011	128000-4900	9712809-490-	Kubota	208-70502-10	028000-4430		Fuji Heavy Industries
		Reman Only		208-70502-10	028000-4430		Wisconsin Robbins
19215-63011	128000-4900	9772809-106	Kubota	209-70502-00	128000-3251		Fuji Heavy Industries
19215-63011 (Kubota)	128000-4900	9722809-106-	Carrier Transicold	209-70502-00	128000-3251		Wisconsin Robbins
		Reman Only		21163-2069	128000-2810		John Deere
19215-63012	228000-1060	9722809-106-	Kubota	21163-2070	128000-2890		John Deere
		Reman Only		21163-2077	128000-5500	9712809-550-	Kubota
19269-63011	128000-0050	9722809-099-	Kubota			Reman Only	
		Reman Only		21163-2085	128000-7070		Kawasaki Heavy Industries
19269-63012	228000-0991	9722809-099-	Kubota	21163-2089	128000-7050		Kawasaki Heavy Industries
19293-63011	028000-9570	9702809-746-	Kubota				Industries
		Reman Only		21163-2109	128000-9980		Kawasaki Heavy Industries
193432A1	228000-5603		J.I. Case	21163-2109	128000-9980	9712809-998	Kawasaki Heavy Industries
193432A1 (Case)	228000-5603		Cummins	21163-2118	228000-2213		Kawasaki Heavy Industries
19410-63012	228000-6961	9722809-696-	Kubota				Industries
		Reman Only		21163-7026	228000-7990	9722809-799	Kawasaki Heavy Industries
19460-63011	228000-6952	9722809-695	Kubota	223900A1	228000-5611		Cummins
19460-63012	228000-6952	9722809-695	Kubota	223900A1	228000-5611		J.I. Case
19460-63013	228000-6952	9722809-695-	Kubota	226-7683	101211-8400		Caterpillar
		Reman Only		226-7683	101211-8400		Caterpillar
19489-64011	121000-1340	9712109-134-	Kubota	226-7683	101211-8400		Caterpillar
		Reman Only					
19508-63011	128000-1691	9712809-169-	Kubota	228000-0111	228000-3802		Denso OE
		Reman Only		228000-0142	228000-0142		Denso OE
19616-63011	128000-2131	9722809-105-	Kubota	228000-0620 (ND)	228000-1953	280-8000	Ottawa
		Reman Only		228000-0662	228000-0664	9722809-066	Denso OE
19616-63012	228000-1052	9722809-105-	Kubota	228000-1060	228000-1060	9722809-106	Denso OE
		Reman Only		228000-1071	228000-1071	9722809-107	Denso OE
197-8820	101211-8340		Caterpillar	228000-1071	228000-1071		Denso OE
19821-63011 (Kubota)	128000-0140	9722809-107-	Carrier Transicold	228000-2670 (ND)	228000-3321		Ottawa
		Reman Only		228000-6952	228000-6952	9722809-695	Denso OE
19872-63013	128000-4780	9712809-478 -	Kubota	23099-R8109	211-9001	210-9001	Nissan
		Reman Only					

Cross Reference information is provided as a guide only. The Application information section should be referred to for specific applications
DENSO is not responsible for the application information of other manufacturers and distributors.

CROSS REFERENCE



MANUFACTURER PART#	DENSO PART#	REMAN PART#	MANUFACTURER	MANUFACTURER PART#	DENSO PART#	REMAN PART#	MANUFACTURER
23100-50K10		210-9010-Reman Only	Nissan	25-37725-00	128000-0140	9722809-107-Reman Only	Carrier Transicold
23100-51H00	211-9003	210-9003	Nissan	25-38750-00	128000-6280	9722809-107-Reman Only	Carrier Transicold
23100-C0600	281-9003	280-9003	TCM Equipment				
23100-L1802	211-9005	210-9005	Nissan	25-39135-00	228000-1071	9722809-107-Reman Only	Carrier Transicold
23100-L6001	211-9006	210-9006	Nissan				
23100-U110	211-9004	210-9004	Nissan	25-39135-00	228000-1071	9722809-107-Reman Only	Kubota
23100-U110	211-9004	210-9004	TCM Equipment				
23300-00H10		280-9025 - Reman Only	Nissan	25-39192-00	228000-6952	9722809-695-Reman Only	Carrier Transicold
23300-06J04	281-9011	280-9011	Nissan	25-39316-00	428000-0930	9742809-093-Reman Only	Carrier Transicold
23300-10G02	281-9010	280-9010	Nissan				
23300-48301	281-9000	280-9000	Nissan	257920A1	228000-6870		J.I. Case
23300-52H00	281-9005	280-9005	Nissan	27020-1660	121000-1390		Hino
23300-52H00	281-9005	280-9005	TCM Equipment	27020-1811A	121000-2751		Hino
23300-83W00	281-9007	280-9007	Nissan	27020-61110	021000-8040	210-7005 - Reman Only	Toyota
23300AA231	128000-8322		Fuji Heavy Industries	27020-76003-71	021000-5601	210-7025-Reman Only	Toyota
23300-K9160		280-9017-Reman Only	TCM Equipment				
23300-L1800	281-9006	280-9006	Nissan	27020-78601-71	021000-4510	210-7004 - Reman Only	Toyota
23300-U0100	281-9004	280-9004	Nissan				
23300-W9810	M1T60081	280-9021	Nissan	27030-1310A	100210-1940		Hino
23300-Z5515	281-9012	280-9012	Nissan	27040-1190	121000-1121		Hino
234-2637	428000-2370		Caterpillar	27040-1240A	100211-2570	9760211-257	Hino
234-70502-00	128000-3540		Fuji Heavy Industries	27040-1261A	100211-2633		Hino
235-7133	101211-8460		Caterpillar	27040-1262C	100211-2633		Hino
235-7133	101211-8460		Caterpillar	27040-1270B	100211-2640		Hino
235907A1	228000-6070		J.I. Case	27040-1300A	100211-2741		Hino
24-098-01	128000-7480	9712809-748	Kohler	27040-1310A	100211-2985	9760211-298	Hino
24-098-01	228000-2640	9722809-264	Kohler	27040-1320A	100211-2995	9760211-299	Hino
246-10102	228000-0142		Dixie	27040-1780A	100211-5960	9760211-596	Hino
246-14105	028000-5800		Dixie	27040-1890A	100211-5970	9760211-597	Hino
246-14105	128000-0721	9712809-072	Dixie	27040-1900A	100211-5950	9760211-595	Hino
246-14114	128000-0710	9712809-071	Dixie	27040-1911A	101211-6061	9761211-606	Hino
246-14115	128000-0710	9712809-071	Dixie	27040-1920A	101211-6140	9761211-614	Hino
246-14116	228000-3802		Dixie	27040-1970A	101211-8003	9761211-800	Hino
246-14120	228000-0664	9722809-066	Dixie	27040-1970B	101211-8003	9761211-800	Hino
246-14122	028000-6140	9702809-614	Dixie	27040-2550	101211-8421	9761219-842	Hino
246-14122	128000-4900	9772809-106	Dixie	27040-2550	101211-8421	9761219-842	Hino
246-14122	228000-1060	9722809-106	Dixie	27040-2550B	101211-8421		Hino
246-14123	228000-1071	9722809-107	Dixie	27040-2550B	101211-8421	9761219-842	Hino
246-20101	128000-2280		Dixie	27040-2550B	101211-8421	9761219-842	Hino
246-20103	228000-6952	9722809-695	Dixie	27040-2560	101211-8431	9761219-843	Hino
246-22101	428000-0930	9742809-093	Dixie	27040-2560	101211-8431	9761219-843	Hino
249-0313	101210-9000		Caterpillar	27040-2560B	101211-8431		Hino
25-35458	028000-6140	9702809-614-Reman Only	Carrier Transicold	27040-2560B	101211-8431	9761219-843	Hino
25-35465	128000-4900	9722809-106-Reman Only	Carrier Transicold	27040-2560B	101211-8431	9761219-843	Hino
25-37640	028000-7830	9722809-107-Reman Only	Carrier Transicold	27040-2560B	101211-8431	9761219-843	Hino
				27050-1102	100213-0272	9712109-112	Hino
				27050-1102	100213-1311		Hino
				27050-1170B	100213-0330		Hino

Cross Reference information is provided as a guide only. The Application information section should be referred to for specific applications
DENSO is not responsible for the application information of other manufacturers and distributors.

CROSS REFERENCE



MANUFACTURER PART#	DENSO PART#	REMAN PART#	MANUFACTURER	MANUFACTURER PART#	DENSO PART#	REMAN PART#	MANUFACTURER
27050-1191A	100213-0371		Hino	28100-23810-71	128000-8241	280-7052-	Toyota
27050-1201A	100213-0391		Hino			Reman Only	
27050-1290A	100213-0812	9760218-595	Hino	28100-2510	228000-6250		Hino
27060-66050	101211-3080	210-7006 -	Toyota	28100-2510	228000-6250	9722809-625	Hino
		Reman Only		28100-2510	228000-6253	9722809-625	Hino
27060-78001-71	100211-1662	210-7002 -	Toyota	28100-2521A (B)	228000-6260 (1)		Hino
		Reman Only		28100-2541A (B)	228000-6383		Hino
27060-78003-71	100211-4540	210-7000 -	Toyota	28100-2911B	428000-2503		Hino
		Reman Only		28100-2911B	428000-2503		Hino
27060-78153-71	101211-3580	210-7007 -	Toyota	28100-2920	428000-2511	9742809-251	Hino
		Reman Only		28100-2920	428000-2511	9742809-251	Hino
27060-78154-71	102211-5200	210-7013-	Toyota	28100-2921A	428000-2511		Hino
		Reman Only		28100-2921A	428000-2511	9742809-251	Hino
27060-78156-71	101211-8580	210-7022-	Toyota	28100-2921A	428000-2511	9742809-251	Hino
		Reman Only		28100-31021	028000-6823	280-7014-	Toyota
27060-78158-71	101211-8700	210-7022-	Toyota			Reman Only	
		Reman Only		28100-31030	028000-7521	280-7009-	Toyota
27060-78201-71	101211-3680	210-7023-	Toyota			Reman Only	
		Reman Only		28100-31625-71	028000-7812	280-7003-	Toyota
27060-78301-71	100211-4004	210-7003 -	Toyota			Reman Only	
		Reman Only		28100-31972-71	128000-0472	280-7004 -	Toyota
27060-78305-71	100211-6931	210-7001 -	Toyota			Reman Only	
		Reman Only		28100-32850-71	228000-3931	280-7015 -	Toyota
27060-78700-71	102211-5850	210-7024-	Toyota			Reman Only	
		Reman Only		28100-35110	228000-3520	280-7018 -	Toyota
27070-23001-71	100211-6970	210-7018-	Toyota			Reman Only	
		Reman Only		28100-37011	028000-6813	280-7010 -	Toyota
27070-23041-71	100211-6961	210-7019-	Toyota			Reman Only	
		Reman Only		28100-40291-71	128000-0974	280-7005 -	Toyota
27070-31720-71	101211-3400	210-7021-	Toyota			Reman Only	
		Reman Only		28100-42800-71	128000-4102	280-7016 -	Toyota
272-1889	101210-9010		Caterpillar			Reman Only	
28100-1561A	028000-9774		Hino	28100-76011-71	028000-6813	280-7010 -	Toyota
28100-16230-F	228000-2900		Isuzu			Reman Only	
28100-1670A	128000-0772	9712809-077	Hino	28100-76015-71	028000-5302	280-7056-	Toyota
28100-1680A	128000-1340	9712809-134	Hino			Reman Only	
28100-1930A	128000-5091	9712809-509	Hino	28100-76023-71	228000-3520	280-7018 -	Toyota
28100-1960A	128000-5303	9712809-530	Hino			Reman Only	
28100-2052B	128000-5913	9712809-591	Hino	28100-U2120-71	228000-4851	280-7012 -	Toyota
28100-20552-71	128000-0623	280-7000 -	Toyota			Reman Only	
		Reman Only		282161A1	228000-8460		J.I. Case
28100-20553-71	228000-4391	280-7002 -	Toyota	28300-22003-71	228000-4371	280-7013 -	Toyota
		Reman Only				Reman Only	
28100-22061-71	028000-5864	280-7001 -	Toyota	28300-22060-71	028000-6014	280-7059-	Toyota
		Reman Only				Reman Only	
28100-23020-71	128000-8562	280-7050-	Toyota	28300-23041-71	128000-4113	280-7008 -	Toyota
		Reman Only				Reman Only	
28100-23660-71	228000-3711	280-7051-	Toyota	28300-23660-71	228000-3721	280-7061-	Toyota
		Reman Only				Reman Only	
28100-23800-71	128000-8130	280-7007-	Toyota	28300-31960-71	028000-7453	280-7006 -	Toyota
		Reman Only				Reman Only	

Cross Reference information is provided as a guide only. The Application information section should be referred to for specific applications
DENSO is not responsible for the application information of other manufacturers and distributors.

CROSS REFERENCE



MANUFACTURER PART#	DENSO PART#	REMAN PART#	MANUFACTURER	MANUFACTURER PART#	DENSO PART#	REMAN PART#	MANUFACTURER
28300-32880-71	128000-6912	280-7062-Reman Only	Toyota	323-529		280-9039-Reman Only	AC Delco
28300-U2100-71	228000-4861	280-7017 - Reman Only	Toyota	323-533		280-9040-Reman Only	AC Delco
2873K406	428000-1120		Perkins	32A66-02100	428000-1660	9742809-166 - Reman Only	Mitsubishi
2873K406	428000-1120		Perkins				
29112-34200	228000-2807	9722809-280	Isuzu	332443A1	228000-8571		Case New Holland
2-91123-950-0	101211-6020	9761219-602	Isuzu	332443A1	228000-8571		Case International
293-153	228000-2780		Bombardier	332443A1	228000-8571		Case New Holland
2MJ57M	101211-8360	Fwd to 101211-8120	Mack	33970-6401-5212	100211-8801 (2)	9760218-880-Reman Only	Kubota
2NL-81800-51	128000-5142		Yamaha	34070-16801	128000-8460	9712809-846-Reman Only	Kubota
30-00308-02	128000-2280		Carrier Transicold				
300-6868	428000-5330		Perkins	34070-75601	100211-4650	9760218-465-Reman Only	Kubota
300-6868	428000-5330		Perkins				
31200-ZA0-701RM	028000-8411	9702889-501 - Reman Only	Honda	34070-75602	100211-4650	9760218-465-Reman Only	Kubota
31200-ZA0-L01RM	028000-8411	9702889-514 - Reman Only	Honda	34466-00700 (Mit. Hvy Ind.)	021000-7770		Allis-Chalmers
31200-ZA1-0030	028000-8410		Honda	34468-10700 (Mit. Heavy Ind.)	100211-0350		Allis-Chalmers
31200-ZA1-0030	028000-8411		Honda				
31200-ZA1-003RM	028000-8411	9702889-028 - Reman Only	Honda	34566-00100 (Mit Hvy Ind.)	028000-6400		Allis-Chalmers
31200-ZE8-003RM	128000-2950	9702889-503 - Reman Only	Honda	34566-00100 (Mit Hvy Ind.)	028000-6412		Allis-Chalmers
31200-ZE8-801RM	128000-2950	9702889-504 - Reman Only	Honda	34566-10100	028000-8130		Allis-Chalmers
31200-ZE9-L31RM	128000-2950	9712809-295 - Reman Only	Honda	34766-20900		280-9024-Reman Only	Mitsubishi
31200-ZH9-003RM	128000-9400	9712809-940 - Reman Only	Honda	3520840C91	228000-7371	280-8020	Navistar International
31200-ZJ1-841RM	228000-7850	9722809-785 - Reman Only	Honda	3549408C91	228000-0070		Navistar International
31200-ZJ4-831RM	228000-7860	9722809-786 - Reman Only	Honda	3554455C91	101211-8290		Navistar International
31210-ZB7-003RM	128000-3390	9712809-339 - Reman Only	Honda	3586537C91	101211-8410		International
31210-ZE2-003RM	128000-2240	9712809-224 - Reman Only	Honda	3586537C91	101211-8410		International
31210-ZE3-792RM	128000-3780	9712809-378 - Reman Only	Honda	3591688C91	428000-0071		International
31210-ZG8-003RM	128000-8090	9712809-809 - Reman Only	Honda	3595800C91	428000-2690		International
31391-86	128000-2690		Harley Davidson	37560-63011	228000-0981	9722809-098-Reman Only	Kohler
31391-91	128000-8456		Harley Davidson	37560-63011	228000-0981	9722809-098-Reman Only	Kubota
31505-81	028000-7300		Harley Davidson	3912084 (Cummins)	128000-4911	9712809-491	Dodge
31558-90	128000-8220		Harley Davidson	3A011-74013	101211-1180	9761219-118 - Reman Only	Kubota
31558-94	228000-2550		Harley Davidson	3A011-74013	101211-1180	9761219-118 - Reman Only	Kubota
31570-89	128000-5750		Harley Davidson	3A011-74013	101211-1180	9761219-118 - Reman Only	Kubota
323-1399	281-8000			3A611-74012	101211-8520	9761219-852 - Reman Only	Kubota
323-485	281-8000			3E-0079	128000-9610		Caterpillar
				3E-1864	128000-9680		Caterpillar
				3E-1865	128000-9690		Caterpillar
				3E-5381	128000-5732	9712809-573	Caterpillar

Cross Reference information is provided as a guide only. The Application information section should be referred to for specific applications
DENSO is not responsible for the application information of other manufacturers and distributors.

CROSS REFERENCE



MANUFACTURER PART#	DENSO PART#	REMAN PART#	MANUFACTURER	MANUFACTURER PART#	DENSO PART#	REMAN PART#	MANUFACTURER
3E-5382	128000-5723	9712809-572	Caterpillar	5-81100169-0	028000-6561		Isuzu
3E-7772	101211-7920		Caterpillar	5-81100169-1	128000-7752		Isuzu
3E-7905	228000-1351		Caterpillar	5-81100169-2	128000-7752		Isuzu
3EB01-A3320	128000-9670		Komatsu	5-81100183-0	028000-7791		Isuzu
3T-2764	128000-7530		Caterpillar	5-81200122-0	021000-4730		Isuzu
3T-4586	128000-7520		Caterpillar	5-81200132-0	100210-1150		Isuzu
3T-5649	028000-8230	280-7019	Caterpillar	5-81200142-0	021000-6220		Isuzu
3T-8208	028000-9830	280-7029	Caterpillar	5-81200157-0	021000-6210		Isuzu
3T-8209	028000-9820	280-7026	Caterpillar	5-81200163-1	021000-6861		Isuzu
3T-8210	028000-8380	280-7027	Caterpillar	5-81200164-1	021000-6851		Isuzu
3T-8211	028000-8390	280-7028	Caterpillar	5-81200239-1	100210-1620		Isuzu
40-2500442	128000-2251		White	5-81200240-0	021000-7620		Isuzu
40-2500450	128000-8230		Hercules	5-81200241-0	021000-7610		Isuzu
40-2507901	228000-4471	280-7072	Hercules	5-81200260-0	100210-1710		Isuzu
410-2116	128000-9210		Bombardier	5-81200261-0	021000-8430		Isuzu
410-2123	228000-2420		Bombardier	5-81200336-0	100210-2450		Isuzu
428000-0930	428000-0930	9742809-093	Denso OE	5S-9088	100211-0890	9761219-610	Caterpillar
428000-5310	428000-5310		Thomas Built Buses	600-813-1410	128000-9960	280-7037	Komatsu
45-1170	128000-0570		Thermo King	600-813-1420	128000-9972	280-7036	Komatsu
45-1170	128000-0570		Carrier Transicold	600-813-1430	228000-0190		Komatsu
45-1170	128000-2280		Thermo King	600-813-1520	028000-3690		Komatsu
45-1229	128000-0960	280-7040	Thermo King	600-813-1550	028000-4970		Komatsu
45-1251	128000-0721	9712809-072	Thermo King	600-813-1560	028000-5780		Komatsu
45-1285	281-9301		Thermo King	600-813-1570	028000-6190		Komatsu
45-1312	128000-0710	9712809-071	Thermo King	600-813-1610	028000-7543		Komatsu
45-1312	028000-5730	9712809-071	Thermo King	600-813-3240	128000-1002	280-7034	Komatsu
45-1335	228000-0142		Thermo King	600-813-3250	128000-1012	280-7035	Komatsu
45-1993	281-9300		Thermo King	600-813-4460	228000-1443		Komatsu
45-267	128000-2280		Thermo King	600-813-4460	228000-1444	9722809-144	Komatsu
45-338	128000-2280		Thermo King	600-813-4460	228000-1444	9722809-144	Komatsu
45-56572	128000-0960	280-7040	Thermo King	600-813-4461	228000-1444		Komatsu
45-5674	128000-0960	280-7040	Thermo King	600-813-4461	228000-1444	9722809-144	Komatsu
45-904	028000-5800		Thermo King	600-813-4461	228000-1444	9722809-144	Komatsu
4809803 (Kohler)	028000-7610		New Holland	600-813-4470	228000-1431	280-7039	Komatsu
4840-18-400B		280-9022-Reman Only	Yale	600-813-4490	228000-2470	280-7038	Komatsu
				600-861-1611	101211-2941		Komatsu
4N-0241	028000-3650		Caterpillar	600-861-3410	101211-4310		Komatsu
4N-0241	028000-5961		Caterpillar	600-861-3420	102211-9060		Komatsu
4N-3181	128000-7510		Caterpillar	600-861-3420	102211-9060		Komatsu
4N-4540	021000-3030		Caterpillar	600-861-3610	102211-2850		Komatsu
523-3662	128000-5670		Caterpillar	600-861-3610	102211-2850	9762219-285	Komatsu
56028697AD	421000-0282		Dodge	600-861-3610	102211-2850	9762219-285	Komatsu
56028697AD	421000-0282		Dodge	600-861-6410	101211-7960		Komatsu
56028697AD	421000-0282		Dodge	600-861-6410	102211-4050		Komatsu
5-81100-080-1	281-9008	280-9008	TCM Equipment	600-861-6410	102211-4050	9762219-405	Komatsu
5-81100086-0	028000-5060		Isuzu	600-861-6410	102211-4050	9762219-405	Komatsu
5-81100087-0	028000-5050		Isuzu	600-861-64102	101211-7960	9761219-796	Komatsu
5-81100108-1	028000-5490		Isuzu	600-861-6410-2	101211-7960	9761219-796	Komatsu
5-81100140-0	028000-6210		Isuzu	600-861-6410-2	101211-7960	9761219-796	Komatsu
5-81100154-0	028000-6640		Isuzu	600-863-1310	228000-9010		Komatsu
5-81100155-0	028000-6440		Isuzu	600-863-1310	228000-9010	280-8022	Komatsu
5-81100166-0	028000-7004		Isuzu	600-863-1410	428000-2650		Komatsu

Cross Reference information is provided as a guide only. The Application information section should be referred to for specific applications
DENSO is not responsible for the application information of other manufacturers and distributors.

CROSS REFERENCE



MANUFACTURER PART#	DENSO PART#	REMAN PART#	MANUFACTURER	MANUFACTURER PART#	DENSO PART#	REMAN PART#	MANUFACTURER
600-863-1410	428000-2650	280-8023	Komatsu	8-94436214-1	121000-2271		Isuzu
600-863-4111	228000-4992	9722809-499	Komatsu	8-94445672-0	100211-2360		Isuzu
600-863-5110	228000-5003	9722809-500	Komatsu	8-94449781-1	100211-4130		Isuzu
6281-200-004-08	100211-4440		Isekinouki	8-94449782-0	128000-4270		Isuzu
65.26201-7050	228000-6562	280-7064	Daewoo	8-94453212-0	281-9009	280-9009	Hyster
67955-59211	228000-0961	9722809-096-	Kubota	8-94469246-0	128000-5630		Isuzu
		Reman Only		8-9448079-00	128000-7720		Isuzu
67980-31151	228000-5910	9722809-591	Kubota	8-94480791-0	128000-7400		Isuzu
6A100-31151	228000-5590	9722809-559-	Kubota	8-97042997-0	228000-1893	280-7065	Isuzu
		Reman Only		8-97042997-0	228000-1893	280-7065	Hyster
6N-1889	128000-7540		Caterpillar	8-97048967-3	228000-2003		Isuzu
6N-5460	021000-4970		Caterpillar	8-97061359-0	228000-0410		Isuzu
6N-9294	100211-0860	9760218-086	Caterpillar	8-97065315-0	228000-0710		Isuzu
6N-9294	100211-0860	9761219-610	Caterpillar	8-97135343-2	228000-5382		Isuzu
6T-7001	128000-1062	280-7030	Caterpillar	8-97207786-0	228000-8182		Isuzu
6T-7002	128000-0590	280-7023	Caterpillar	8-97358062-1	428000-2081		Isuzu
6T-7002	128000-0590		Peugeot	8-97500231-0	228000-2807		Isuzu
6T-7003	128000-1040	280-7025	Caterpillar	8-97500342-0	101211-7812		Isuzu
6T-7004	128000-1050	280-7020	Caterpillar	8-97500358-1	228000-2807		Isuzu
6T-7004	128000-1050		Peugeot	8C-4774	128000-5732	9712809-573	Caterpillar
6V-5226	228000-1500		Caterpillar	8C-5580	128000-4972	9712809-497	Caterpillar
757-26450	228000-5790	9722809-579	Lister Petter	8L6-81800-50	028000-7180		Yanmar
757-26450	228000-5791	280-8021 - Reman Only	Lister Petter	8N-2268	100211-0250		Caterpillar
				8T-8619	128000-4084	280-7024	Caterpillar
7604-A (Leece Neville)	021000-4650		Ford Truck	8T-9685	128000-4090		Caterpillar
7C-2264	128000-4084	280-7024	Caterpillar	8T-9700	100211-2970		Caterpillar
7C3Z-10346-EA	104210-6103		Ford	8T-9700	121000-2510		Caterpillar
7C-4622	128000-4092		Caterpillar	90-02-5014	021000-4760		Wilson
7N-0923	028000-5040		Caterpillar	90-02-5016	121000-2450		Wilson
7N-4784	100211-0230		Caterpillar	90-02-5016	021000-4650		Wilson
7N-6118	100211-0010		Caterpillar	90-29-4540	100211-4540	210-7000 - Reman Only	Wilson
7X-1057	128000-6870	280-7021	Caterpillar	90-29-5036	100211-0292	9700211-029	Wilson
8-94123387-0	128000-0020		Isuzu	90-29-5038	021000-3030		Wilson
8-94123387-0	128000-0020		GMC	90-29-5039	100211-0230		Wilson
8-94133758-3	128000-0833		Isuzu	90-29-5045	021000-8990		Wilson
8-94137345-0	100211-1331		Isuzu	90-29-5045	100210-1940		Wilson
8-94137345-2	100211-1331		Chevrolet	90-29-5059	100211-2360		Wilson
8-94149-429-0	128000-0960		Thermo King	90-29-5079	100211-0860	9760218-086	Wilson
(Hitachi)				90-29-5087	121000-2430		Wilson
8-94150343-1	028000-8630		Isuzu	90-29-5087	121000-2660		Wilson
8-94150344-1	100210-2970		Isuzu	90-29-5087	121000-2680		Wilson
8-94156671-0	128000-2040		Isuzu	90-29-5092	121000-3000		Wilson
8-94170205-0	128000-1102		Isuzu	90-29-5092	121000-3300	210-0135	Wilson
8-94170205-0	128000-1102	280-7066	TCM	90-29-5092	121000-3310	210-0136	Wilson
8-94170205-1	128000-1102	280-7066	TCM	90-29-5092	121000-3330	210-0131	Wilson
8-94330187-1	100213-0980		Isuzu	90-29-5095	100211-6050	9760218-605	Wilson
8-94344472-2	128000-7122		Isuzu	90-29-5096	021000-6840	9702109-684	Wilson
8-94360113-2	128000-7002		Isuzu	90-29-5097	121000-0980	9712109-098	Wilson
8-94371833-0	128000-7560		Isuzu	90-29-5098	100211-5970	9760211-597	Wilson
8-94412730-1	128000-2881		Isuzu	90-29-5098	100213-0273		Wilson
8-94436213-1	121000-2261		Isuzu	90-29-5098	121000-1121		Wilson

Cross Reference information is provided as a guide only. The Application information section should be referred to for specific applications
DENSO is not responsible for the application information of other manufacturers and distributors.

CROSS REFERENCE



MANUFACTURER PART#	DENSO PART#	REMAN PART#	MANUFACTURER	MANUFACTURER PART#	DENSO PART#	REMAN PART#	MANUFACTURER
90-29-5099	100211-5960	9760211-596	Wilson	90-29-5183	100211-6931	210-7001 - Reman Only	Wilson
90-29-5099	100213-0330		Wilson				
90-29-5099	100213-0371		Wilson	90-29-5296	100211-6420		Wilson
90-29-5099	121000-1390		Wilson	90-29-5298	100211-6881	9760218-688	Wilson
90-29-5100	100211-5950	9760211-595	Wilson	90-29-5313	100211-1630	9760218-163	Wilson
90-29-5100	100213-0812		Wilson	90-29-5313	100211-4690		Wilson
90-29-5100	121000-2751		Wilson	90-29-5314	101211-3021		Wilson
90-29-5101	100211-2570	9760211-257	Wilson	90-29-5316	021000-4711		Wilson
90-29-5103	100211-2985	9760211-298	Wilson	90-29-5319	100211-1732	9760211-173	Wilson
90-29-5103	100211-2995	9760211-299	Wilson	90-29-5322	100213-1421		Wilson
90-29-5103	101211-6061	9761211-606	Wilson	90-29-5322	101211-6140	9761211-614	Wilson
90-29-5106	100211-1720	9760211-172	Wilson	90-29-5322	121000-7750		Wilson
90-29-5107	100211-0250		Wilson	90-29-5323	121000-4251		Wilson
90-29-5108	100211-0890	9761219-610	Wilson	90-29-5340	100211-4520	9760218-452	Wilson
90-29-5110	121000-3370	210-0140	Wilson	90-29-5342	101211-2240	9761219-224	Wilson
90-29-5110	121000-3380	210-0127	Wilson	90-29-5343	101211-9010	9761219-901	Wilson
90-29-5110	121000-3390	210-0141	Wilson	90-29-5348	101211-8003	9761211-800	Wilson
90-29-5110	121000-3400	210-0142	Wilson	90-29-5357	121000-4280	210-0500	Wilson
90-29-5110	121000-3471	210-0143	Wilson	90-29-5357	121000-4290	210-0501	Wilson
90-29-5110	121000-3531	210-0144	Wilson	90-29-5358	121000-4351	210-0503	Wilson
90-29-5111	121000-4000	210-0137	Wilson	90-29-5359	121000-3630		Wilson
90-29-5111	121000-4010	210-0134	Wilson	90-29-5370	121000-3760		Wilson
90-29-5111	121000-4030	210-0138	Wilson	90-29-5372	121000-4451	210-0478	Wilson
90-29-5111	121000-4090	210-0139	Wilson	90-29-5390	100213-0386		Wilson
90-29-5112	121000-4041		Wilson	90-29-5390	101211-6020	9761211-602	Wilson
90-29-5112	121000-4050	210-0146	Wilson	90-29-5390	121000-1740		Wilson
90-29-5112	121000-4060	210-0133	Wilson	90-29-5391	100211-5710	9760211-571	Wilson
90-29-5112	121000-4070	210-0147	Wilson	90-29-5398	121000-3650		Wilson
90-29-5112	121000-4080	210-0148	Wilson	90-29-5409	421000-0103		Wilson
90-29-5112	121000-4120		Wilson	90-29-5414	100213-1290		Wilson
90-29-5112	121000-4130	210-0149	Wilson	90-29-5414	101211-6030	9761211-603	Wilson
90-29-5112	121000-4151	210-0150	Wilson	90-29-5414	121000-5390		Wilson
90-29-5112	121000-4171	210-0151	Wilson	90-29-5415	100211-2760	9760211-276	Wilson
90-29-5115	121000-3410		Wilson	90-29-5416	100211-5940	9760211-594	Wilson
90-29-5115	121000-3420		Wilson	90-29-5418	100211-2741		Wilson
90-29-5115	121000-3430	210-0387	Wilson	90-29-5419	100211-2634		Wilson
90-29-5115	121000-3440		Wilson	90-29-5420	100213-0391		Wilson
90-29-5115	121000-3460		Wilson	90-29-5420	121000-1940		Wilson
90-29-5117	100211-2750	9760211-275	Wilson	90-29-5425	101211-8010		Wilson
90-29-5118	100211-2560		Wilson	90-29-5426	101211-8020		Wilson
90-29-5161	021000-4970		Wilson	90-29-5427	101211-8030		Wilson
90-29-5165	021000-4510	210-7004 -	Wilson	90-29-5428	101211-8040		Wilson
		Reman Only		90-29-5429	101211-8050		Wilson
90-29-5171	100211-1662	210-7002 - Reman Only	Wilson	90-29-5430	101211-8060		Wilson
		210-7003 - Reman Only		90-29-5431	101211-8070		Wilson
90-29-5173	100211-4004	210-7003 - Reman Only	Wilson	90-29-5432	101211-8080		Wilson
		9760218-680		90-29-5433	101211-8090		Wilson
90-29-5179	100211-6801	9760218-680	Wilson	90-29-5434	101211-8100		Wilson
90-29-5180	100211-4640	9760218-464	Wilson	90-29-5435	101211-8110		Wilson
90-29-5180	100211-4650	9760218-465	Wilson	90-29-5436	101211-8120		Wilson
90-29-5180	100211-1670	9760218-167	Wilson	90-29-5437	101211-8130		Wilson
				90-29-5438	101211-8140		Wilson

Cross Reference information is provided as a guide only. The Application information section should be referred to for specific applications
DENSO is not responsible for the application information of other manufacturers and distributors.

CROSS REFERENCE



MANUFACTURER PART#	DENSO PART#	REMAN PART#	MANUFACTURER	MANUFACTURER PART#	DENSO PART#	REMAN PART#	MANUFACTURER
90-29-5442	101211-7812	9761219-781	Wilson	91-29-5108	128000-0494	9712809-049	Wilson
90-29-5443	021000-1680		Wilson	91-29-5109	028000-5800		Wilson
90-29-5443	100210-2970	9760210-297	Wilson	91-29-5109	128000-0721	9712809-072	Wilson
90-29-5443	121000-1680	9712109-168	Wilson	91-29-5110	028000-5004	9702809-500	Wilson
90-29-8292	100211-4531		Wilson	91-29-5111	028000-7610		Wilson
9103-3323	128000-4090		Gradall	91-29-5112	028000-7462	9702809-746	Wilson
9103-3323 (Gradall #)	128000-7042		Fuji Heavy Industries	91-29-5112	028000-7471	9702809-747	Wilson
91-25-1037	281-9301		Wilson	91-29-5113	028000-7480	9702809-748	Wilson
91-29-0590	128000-0590	280-7023	Wilson	91-29-5114	028000-7733	9702809-773	Wilson
91-29-5000	028000-6813	280-7010 - Reman Only	Wilson	91-29-5115	028000-8320	9702809-832	Wilson
91-29-5018	128000-0772	9712809-077	Wilson	91-29-5116	028000-8434	9702809-843	Wilson
91-29-5018	028000-3292	9702800-329	Wilson	91-29-5118	128000-0480	9712800-048	Wilson
91-29-5028	028000-7172	9702809-717	Wilson	91-29-5123	028000-9774		Wilson
91-29-5035	028000-5884	9702809-588	Wilson	91-29-5123	128000-5092	9712809-509	Wilson
91-29-5036	028000-3811	9702800-381	Wilson	91-29-5123	128000-5303	9712809-530	Wilson
91-29-5037	028000-5920		Wilson	91-29-5125	028000-8390	280-7028	Wilson
91-29-5038	028000-3971	9702800-397	Wilson	91-29-5126	028000-9820	280-7026	Wilson
91-29-5039	128000-9690		Wilson	91-29-5127	028000-9830	280-7029	Wilson
91-29-5039	028000-3650		Wilson	91-29-5128	128000-1040	280-7025	Wilson
91-29-5039	128000-9690		Wilson	91-29-5129	128000-9610	280-7024	Wilson
91-29-5039	028000-3650		Wilson	91-29-5130	128000-4090		Wilson
91-29-5040	028000-4930		Wilson	91-29-5130	128000-2253		Wilson
91-29-5042	028000-5730	9712809-071	Wilson	91-29-5131	128000-4972	9712809-497	Wilson
91-29-5042	128000-0710	9712809-071	Wilson	91-29-5132	128000-3690	9712800-369	Wilson
91-29-5043	028000-5251	9702800-525	Wilson	91-29-5135	128000-1062	280-7030	Wilson
91-29-5044	028000-8230	280-7019	Wilson	91-29-5136	128000-6870	280-7021	Wilson
91-29-5054	128000-0102		Wilson	91-29-5137	128000-0590		Wilson
91-29-5060	028000-7431		Wilson	91-29-5138	128000-9503	9712809-950	Wilson
91-29-5064	128000-0623	280-7000 - Reman Only	Wilson	91-29-5138	128000-0545	9712809-021	Wilson
91-29-5074	128000-0960	280-7040	Wilson	91-29-5138	128000-0215	9712809-021	Wilson
91-29-5074	028000-7002		Wilson	91-29-5138	128000-2273		Wilson
91-29-5074	028000-7791		Wilson	91-29-5138	128000-2480		Wilson
91-29-5074	128000-0022		Wilson	91-29-5138	128000-3123		Wilson
91-29-5077	128000-2570		Wilson	91-29-5138	228000-0623		Wilson
91-29-5077	128000-2580		Wilson	91-29-5138	228000-1953	280-8000	Wilson
91-29-5079	128000-4960	280-0135	Wilson	91-29-5138	228000-4671	280-8001	Wilson
91-29-5079	128000-5270	280-0135	Wilson	91-29-5140	028000-7640	5702800-764	Wilson
91-29-5079	128000-5280	280-0135	Wilson	91-29-5140	128000-0741	9712809-074	Wilson
91-29-5080	128000-4270		Wilson	91-29-5140	228000-0142		Wilson
91-29-5080	128000-1300		Wilson	91-29-5141	128000-4911	9712809-491	Wilson
91-29-5087	028000-9113		Wilson	91-29-5142	128000-5430		Wilson
91-29-5091	128000-3182		Wilson	91-29-5143	128000-5723	9712809-572	Wilson
91-29-5092	128000-4951		Wilson	91-29-5144	028000-8130		Wilson
91-29-5102	028000-6140	9702809-614	Wilson	91-29-5145	128000-1782		Wilson
91-29-5105	028000-8380	280-7027	Wilson	91-29-5147	128000-4900	9722809-106	Wilson
91-29-5106	028000-8403	9702809-840	Wilson	91-29-5147	228000-1061	9722809-106- Reman Only	Wilson
91-29-5107	028000-7830	9722809-107	Wilson	91-29-5148	028000-6782		Wilson
91-29-5107	128000-0141		Wilson	91-29-5149	128000-4520		Wilson
91-29-5107	128000-6280		Wilson	91-29-5151	128000-1050		Wilson
				91-29-5151	128000-1770	280-7020	Wilson
				91-29-5152	128000-1102		Wilson

Cross Reference information is provided as a guide only. The Application information section should be referred to for specific applications
DENSO is not responsible for the application information of other manufacturers and distributors.

CROSS REFERENCE



MANUFACTURER PART#	DENSO PART#	REMAN PART#	MANUFACTURER	MANUFACTURER PART#	DENSO PART#	REMAN PART#	MANUFACTURER
91-29-5157	228000-0710		Wilson	91-29-5219	028000-7812	280-7003-	Wilson
91-29-5160	128000-1340	9712809-134	Wilson			Reman Only	
91-29-5168	228000-4601		Wilson	91-29-5222	028000-2890		Wilson
91-29-5169	128000-7240		Wilson	91-29-5223	128000-0472	280-7004-	Wilson
91-29-5176	128000-4221	9712809-422	Wilson			Reman Only	
91-29-5176	228000-2670		Wilson	91-29-5224	128000-3032	280-7047	Wilson
91-29-5176	228000-3311		Wilson	91-29-5225	128000-6350	280-7046	Wilson
91-29-5176	228000-3321		Wilson	91-29-5227	028000-7521	280-7009-	Wilson
91-29-5183	028000-9032	9722809-457-	Wilson			Reman Only	
		Reman Only		91-29-5227	028000-6823	280-7014-	Wilson
91-29-5184	128000-1152		Wilson			Reman Only	
91-29-5185	128000-0260		Wilson	91-29-5228	028000-5864	280-7001-	Wilson
91-29-5186	028000-5460		Wilson			Reman Only	
91-29-5190	128000-4291		Wilson	91-29-5231	128000-4113	280-7008-	Wilson
91-29-5191	128000-4864		Wilson			Reman Only	
91-29-5192	128000-5625		Wilson	91-29-5234	128000-0974	280-7005-	Wilson
91-29-5193	128000-0050	9722809-099-	Wilson			Reman Only	
		Reman Only		91-29-5235	128000-0570		Wilson
91-29-5193	128000-9051		Wilson	91-29-5235	128000-2280		Wilson
91-29-5193	228000-0991	9722809-099-	Wilson	91-29-5236	128000-9680		Wilson
		Reman Only		91-29-5236	028000-6921		Wilson
91-29-5193	228000-3660		Wilson	91-29-5237	128000-5913	9712809-591	Wilson
91-29-5194	128000-5590		Wilson	91-29-5237	128000-7573	9712809-757	Wilson
91-29-5195	128000-5602		Wilson	91-29-5238	228000-2552		Wilson
91-29-5196	128000-2563		Wilson	91-29-5239	128000-7480		Wilson
91-29-5198	228000-1940		Wilson	91-29-5239	228000-2640		Wilson
91-29-5198	128000-9801		Wilson	91-29-5240	228000-1800		Wilson
91-29-5198	128000-9811	9712809-981	Wilson	91-29-5240	228000-3404	9722809-340	Wilson
91-29-5198	128000-2280		Wilson	91-29-5241	128000-7021		Wilson
91-29-5199	128000-9821		Wilson	91-29-5242	128000-7400		Wilson
91-29-5201	128000-5500	9712809-550-	Wilson	91-29-5245	228000-2292	280-0275	Wilson
		Reman Only		91-29-5246	128000-8111	280-0299	Wilson
91-29-5202	228000-3802		Wilson	91-29-5250	128000-7810	280-0136	Wilson
91-29-5202	128000-0710	9712809-071	Wilson	91-29-5250	228000-3394	280-0144	Wilson
91-29-5202	228000-0111		Wilson	91-29-5302	128000-5732	9712809-573	Wilson
91-29-5203	128000-3410	9712809-341-	Wilson	91-29-5303	128000-1161	9722809-104-	Wilson
		Reman Only				Reman Only	
91-29-5204	128000-2070	9712809-207-	Wilson	91-29-5306	228000-0763	9722809-076-	Wilson
		Reman Only				Reman Only	
91-29-5206	128000-0430		Wilson	91-29-5307	228000-0961	9722809-096-	Wilson
91-29-5207	028000-6350		Wilson			Reman Only	
91-29-5212	228000-1020	9722809-102-	Wilson	91-29-5308	228000-1000	9722809-100 -	Wilson
		Reman Only				Reman Only	
91-29-5213	028000-3570		Wilson	91-29-5309	228000-1032	9722809-103-	Wilson
91-29-5214	128000-6640	9722809-108-	Wilson			Reman Only	
		Reman Only		91-29-5310	228000-1041	9722809-104-	Wilson
91-29-5215	128000-9951	9712809-995-	Wilson			Reman Only	
		Reman Only		91-29-5311	228000-1052	9722809-105-	Wilson
91-29-5216	128000-8540	9712809-854-	Wilson			Reman Only	
		Reman Only		91-29-5313	228000-1082	9722809-108-	Wilson
91-29-5217	128000-3591	9712809-359-	Wilson			Reman Only	
		Reman Only					

Cross Reference information is provided as a guide only. The Application information section should be referred to for specific applications
DENSO is not responsible for the application information of other manufacturers and distributors.

CROSS REFERENCE



MANUFACTURER PART#	DENSO PART#	REMAN PART#	MANUFACTURER	MANUFACTURER PART#	DENSO PART#	REMAN PART#	MANUFACTURER
91-29-5315	228000-1531	9722809-153-Reman Only	Wilson	91-29-5387	128000-7540		Wilson
91-29-5319	228000-2380		Wilson	91-29-5388	128000-2960	280-7032	Wilson
91-29-5322	228000-0844		Wilson	91-29-5390	228000-5862	280-7041	Wilson
91-29-5323	228000-4572	9722809-457-Reman Only	Wilson	91-29-5391	228000-4391	280-7002-Reman Only	Wilson
91-29-5324	228000-3781		Wilson	91-29-5391	228000-4851	280-7012-Reman Only	Wilson
91-29-5325	128000-7301		Wilson	91-29-5391	228000-4391	280-7002-Reman Only	Wilson
91-29-5328	128000-8130	280-7007-Reman Only	Wilson	91-29-5391	228000-4851	280-7012-Reman Only	Wilson
91-29-5332	228000-2390		Wilson	91-29-5394	128000-8580		Wilson
91-29-5334	128000-0201	9712809-020-Reman Only	Wilson	91-29-5395	128000-2890		Wilson
91-29-5336	128000-1470	9712809-147-Reman Only	Wilson	91-29-5395	128000-6550		Wilson
91-29-5338	128000-2131	9722809-105-Reman Only	Wilson	91-29-5397	028000-8411		Wilson
91-29-5341	128000-5411	9712809-541-Reman Only	Wilson	91-29-5398	128000-2471		Wilson
91-29-5342	228000-1071	9722809-107-Reman Only	Wilson	91-29-5401	228000-3811		Wilson
91-29-5343	128000-6623	9712809-662-Reman Only	Wilson	91-29-5401	228000-4160		Wilson
91-29-5344	128000-6843	9712809-684-Reman Only	Wilson	91-29-5403	228000-5463	280-8019	Wilson
91-29-5348	128000-7252		Wilson	91-29-5404	228000-5851	9722809-066-Reman Only	Wilson
91-29-5349	128000-8460	9712809-846-Reman Only	Wilson	91-29-5405	228000-0664		Wilson
91-29-5350	128000-8481	9712809-848-Reman Only	Wilson	91-29-5406	228000-5731		Wilson
91-29-5351	128000-9362		Wilson	91-29-5407	128000-1002	280-7034	Wilson
91-29-5355	028000-2442		Wilson	91-29-5408	128000-1012	280-7035	Wilson
91-29-5356	228000-1190		Wilson	91-29-5412	128000-9690		Wilson
91-29-5357	228000-0022		Wilson	91-29-5413	028000-5961		Wilson
91-29-5358	128000-8294		Wilson	91-29-5416	028000-7133	9702809-713-Reman Only	Wilson
91-29-5359	128000-7172		Wilson	91-29-5417	228000-0691	9722809-475-Reman Only	Wilson
91-29-5362	228000-4611		Wilson	91-29-5419	028000-5040		Wilson
91-29-5363	228000-6532		Wilson	91-29-5420	128000-9680		Wilson
91-29-5364	228000-4730		Wilson	91-29-5421	228000-7381	280-8006	Wilson
91-29-5365	228000-4631		Wilson	91-29-5422	128000-5373		Wilson
91-29-5366	128000-7050		Wilson	91-29-5423	228000-1832		Wilson
91-29-5367	228000-1870		Wilson	91-29-5424	228000-2201		Wilson
91-29-5368	228000-6671	9722809-667-Reman Only	Wilson	91-29-5426	228000-5902		Wilson
91-29-5369	228000-1893	280-7065	Wilson	91-29-5428	128000-9972	280-7036	Wilson
91-29-5372	228000-6471		Wilson	91-29-5429	128000-0833		Wilson
91-29-5374	228000-0790		Wilson	91-29-5430	228000-6401	280-7043	Wilson
91-29-5375	228000-1841	9722809-184-Reman Only	Wilson	91-29-5431	228000-7071	280-7042	Wilson
91-29-5381	228000-5741		Wilson	91-29-5432	228000-6952	9722809-695-Reman Only	Wilson
91-29-5382	228000-5811		Wilson	91-29-5433	228000-6552		Wilson
91-29-5384	228000-1351	9722809-135	Wilson	91-29-5437	228000-5512		Wilson
91-29-5386	128000-7530		Wilson	91-29-5438	128000-7070		Wilson
				91-29-5441	228000-2807	9722809-280	Wilson
				91-29-5442	228000-6551		Wilson
				91-29-5443	228000-5603		Wilson
				91-29-5444	228000-7421		Wilson
				91-29-5445	228000-8432	280-8009	Wilson

Cross Reference information is provided as a guide only. The Application information section should be referred to for specific applications
DENSO is not responsible for the application information of other manufacturers and distributors.

CROSS REFERENCE



MANUFACTURER PART#	DENSO PART#	REMAN PART#	MANUFACTURER	MANUFACTURER PART#	DENSO PART#	REMAN PART#	MANUFACTURER
91-29-5446	228000-8440	280-8010	Wilson	9W-2946	128000-5723	9712809-572	Caterpillar
91-29-5447	228000-8410	280-8007	Wilson	9W-2949	100211-2960		Caterpillar
91-29-5448	228000-8420	280-8008	Wilson	9W-3748	128000-5732	9712809-573	Caterpillar
91-29-5449	228000-8510	280-8011	Wilson	9X-0353	028000-6921		Caterpillar
91-29-5450	228000-0981	9722809-098- Reman Only	Wilson	9X0354	028000-5961		Mitsubishi
				9X-0354	028000-5961		Caterpillar
91-29-5455	228000-7730		Wilson	9X-4447	128000-7510		Caterpillar
91-29-5464	228000-6511		Wilson	9X-4452	128000-7540		Caterpillar
91-29-5486	228000-5311	280-8002	Wilson	9X-4453	128000-7520		Caterpillar
91-29-5491	228000-7432		Wilson	9X-4454	128000-7530		Caterpillar
91-29-5495	028000-8630		Wilson	A162469	028000-7431		J.I. Case
91-29-5503	228000-7301	280-8005	Wilson	A170746	128000-0216	9712809-021	J.I. Case
91-29-5515	228000-8182	9722809-818	Wilson	A170746	LAY42800-0070		J.I. Case
91-29-5516	128000-7261		Wilson	A181056	128000-3122		J.I. Case
91-29-5517	228000-6253		Wilson	A186247	128000-5373		J.I. Case
91-29-5518	228000-6261		Wilson	A187615	128000-5625		J.I. Case
91-29-5519	228000-6383		Wilson	A187722	128000-7021		J.I. Case
91-29-5520	128000-6401		Wilson	A187728	128000-5331		J.I. Case
91-29-5521	128000-6501		Wilson	A2T72986		210-9013- Reman Only	Caterpillar
91-29-5522	228000-2191		Wilson			210-9013- Reman Only	Clark
91-29-5523	228000-1091		Wilson	A2T72986		Reman Only	
91-29-5525	228000-7491		Wilson	A3T03471		210-9012- Reman Only	Mitsubishi
91-29-5526	228000-7121	280-8004	Wilson			210-9011- Reman Only	Hyster
91-29-5527	228000-7281		Wilson	A7T03277A		210-9010- Reman Only	Nissan
91-29-5528	228000-7291		Wilson	A7T03371A			
91-29-5529	128000-5510		Wilson				
91-29-5530	228000-7003	9722809-700	Wilson				
91-29-5531	128000-7870		Wilson				
91-29-5532	228000-9750	280-8012	Wilson	A-80007	421000-0021		Dixie
91-29-5533	228000-9100		Wilson	A-80013	421000-0103		Dixie
91-29-5533	428000-0190		Wilson	A-80024	421000-0122		Dixie
91-29-5534	128000-4921		Wilson	A-80051	101211-1170		Dixie
91-29-5548	128000-2742		Wilson	A-80052	101211-2950		Dixie
91-29-5549	028000-6200		Wilson	A-80055	100210-2970		Dixie
91-29-5550	428000-1210		Wilson	A-8102	021000-8570		Dixie
91-29-5550	428000-1220		Wilson	A-8201	100211-4130		Dixie
91-29-5581	228000-7342		Cummins	A-8202	100211-1331		Dixie
91-29-7451	028000-7453	280-7006- Reman Only	Wilson	A-8202	100211-2360		Dixie
				A-8233	121000-3430	210-0387	Dixie
91902C1	128000-4340		J.I. Case	A-8233	121000-3300	210-0135	Dixie
92AB-11000-KA	228000-1540		Ford Tractor	A-8234	121000-4050	210-0146	Dixie
9702809-573	128000-0710	9712809-071	Denso Reman	A-8234	121000-4000	210-0137	Dixie
9702809-614	028000-6140	9702809-614	Denso Reman	A-8234	121000-4090	210-0139	Dixie
9712809-071	128000-0710	9712809-071	Denso Reman	A-8253	100211-1721	9760211-172	Dixie
9712809-072	128000-0721	9712809-072	Denso Reman	A-8262	100211-0890	9761219-610	Dixie
9722809-066	228000-0664	9722809-066	Denso Reman	A-8263	100211-0860	9760218-086	Dixie
9722809-106	228000-1060	9722809-106	Denso Reman	A-8265	121000-4070	210-0147	Dixie
9722809-107	228000-1071	9722809-107	Denso Reman	A-8267	121000-3380	210-0127	Dixie
9722809-695	228000-6952	9722809-695	Denso Reman	A-8267	121000-3400	210-0142	Dixie
9742809-093	428000-0930	9742809-093	Denso Reman	A-8267	121000-3340		Dixie
9G-6941	028000-6921		Caterpillar	A-8267	121000-3360		Dixie
9W-2648	100211-2950		Caterpillar	A-8269	100211-2750		Dixie

Cross Reference information is provided as a guide only. The Application information section should be referred to for specific applications
DENSO is not responsible for the application information of other manufacturers and distributors.

CROSS REFERENCE



MANUFACTURER PART#	DENSO PART#	REMAN PART#	MANUFACTURER	MANUFACTURER PART#	DENSO PART#	REMAN PART#	MANUFACTURER
A-8273	021000-4510	210-7004-Reman Only	Dixie	A-8535	100213-1290		Dixie
A-8273	021000-4271		Dixie	A-8535	101211-6030		Dixie
A-8279	100211-1662	210-7002-Reman Only	Dixie	A-8535	121000-5390		Dixie
A-8280	100211-4004	210-7003-Reman Only	Dixie	A-8536	100211-2760		Dixie
A-8282	100211-4540	210-7000-Reman Only	Dixie	A-8537	100211-5710		Dixie
A-8284	100211-6050	9760218-605	Dixie	A-8538	100211-5940		Dixie
A-8285	121000-0580		Dixie	A-8545	101211-7880		Dixie
A-8297	100211-0250		Dixie	A-860	021000-7281		Dixie
A-8332	121000-3442		Dixie	A-8659	121000-4122		Dixie
A-8332	121000-3450	210-0130	Dixie	A-8661	121000-4171		Dixie
A-8347	100211-7970		Dixie	A-8695	121000-3310	210-0136	Dixie
A-8365	101211-0160		Dixie	A-8695	121000-3390	210-0141	Dixie
A-8444	100213-1421		Dixie	A-8696	121000-3370	210-0140	Dixie
A-8444	121000-2751		Dixie	A-8696	121000-3330	210-0131	Dixie
A-8445	100211-2985	9760211-298	Dixie	A-8696	121000-3410		Dixie
A-8445	100211-2995	9760211-299	Dixie	A-8698	121000-4080	210-0148	Dixie
A-8446	021000-7610		Dixie	A-8699	121000-4041		Dixie
A-8447	100211-0940		Dixie	A-8699	121000-4010	210-0134	Dixie
A-8447	100211-0980		Dixie	A-8699	121000-4030	210-0138	Dixie
A-8448	021000-2431		Dixie	A-8700	121000-4060	210-0133	Dixie
A-8450	100213-0330		Dixie	A-8730	101211-2770		Dixie
A-8450	100213-0371		Dixie	A-8731	102211-1820		Dixie
A-8450	121000-1390		Dixie	A-8731	102211-1830		Dixie
A-8451	100211-4531		Dixie	A-8732	101211-2471		Dixie
A-8463	100211-3720		Dixie	A-8733	102211-5120		Dixie
A-8466	100211-2102		Dixie	A-8755	100211-0350		Dixie
A-8467	100211-3030		Dixie	A-876	021000-7360		Dixie
A-8473	100211-6931	210-7001-Reman Only	Dixie	A-876	021000-8420		Dixie
A-8474	101211-9780		Dixie	A-876	100211-0010		Dixie
A-8489	121000-1740		Dixie	A-876	100211-0230		Dixie
A-8492	121000-1121		Dixie	A-8761	100211-4690		Dixie
A-8493	100211-2570		Dixie	A-877	021000-3030		Dixie
A-8495	101211-5030		Dixie	A-8773	101211-1100		Dixie
A-8496	100211-6420		Dixie	A-8779	121000-3630		Dixie
A-8497	100211-5800		Dixie	A-8810	101211-7920		Dixie
A-8503	101211-9010	9761219-901	Dixie	A-8815	100211-0570		Dixie
A-8503	101211-9020	9761219-902	Dixie	A-8818	100211-4440		Dixie
A-8504	100211-2950		Dixie	A-8852	101211-1131		Dixie
A-8504	100211-2970		Dixie	A-8885	121000-2271		Dixie
A-8504	121000-2510		Dixie	A-8891	100211-4490		Dixie
A-8506	101211-2240		Dixie	A-890	021000-8741		Dixie
A-8506	101211-2310		Dixie	A-890	021000-8751		Dixie
A-8509	101211-7130		Dixie	A-890	100211-0292		Dixie
A-8513	100211-7260		Dixie	A-8904	421000-0063		Dixie
A-8521	021000-6861		Dixie	A-8942	102211-1180		Dixie
A-8530	101211-5261		Dixie	A-8943	101211-7780		Dixie
A-8532	121000-3520		Dixie	A-8955	104210-3290		Dixie
				AM100800	100211-0940		John Deere
				AM104559	128000-7940	9712809-794	John Deere
				AM108615	128000-7940	9712809-794	John Deere
				AM809215	228000-7471	9722809-747	John Deere
				AM879204	228000-7471	9722809-747	John Deere

Cross Reference information is provided as a guide only. The Application information section should be referred to for specific applications
DENSO is not responsible for the application information of other manufacturers and distributors.

CROSS REFERENCE



MANUFACTURER PART#	DENSO PART#	REMAN PART#	MANUFACTURER	MANUFACTURER PART#	DENSO PART#	REMAN PART#	MANUFACTURER
AM879743	228000-7111	9722809-711	John Deere	LR220-24	211-9002	210-9002	TCM Equipment
AN193461	100211-5800		John Deere	LR220-24R		210-9002	TCM Equipment
AR46886	028000-3811	9702800-381	John Deere	LR225-84T	211-9003	210-9003	Nissan
AR63341	028000-3971	9702800-397	John Deere	LR225-84TR		210-9003	Nissan
AR70611	028000-3939		John Deere	LT135-69B	211-9004	210-9004	Nissan
AR87204	100211-0071		John Deere	LT135-69B	211-9004	210-9004	TCM Equipment
AR87205	100211-0081	9700211-029	John Deere	LT135-69BR		210-9004	Nissan
AR93447	100211-0280	9700211-029	John Deere	LT135-69BR		210-9004	TCM Equipment
AR93448	100211-0292	9700211-029	John Deere	LT135-73B	211-9005	210-9005	Nissan
AT103789	100211-0292	9700211-029	John Deere	LT135-73BR		210-9005	Nissan
C07628	228000-6051		Clarke Detroit Diesel Allison	LT215-37C	211-9006	210-9006	Nissan
				LT215-37CR		210-9006	Nissan
C07639	101211-1090		Clarke Detroit	M1T60081		280-9021-	Nissan
C07819	428000-3690		Clarke			Reman Only	
C07819	428000-3690		Clarke	M1T60381		280-9017-	TCM Equipment
C07819	428000-3690		Clarke			Reman Only	
C07825	228000-6532		Clarke	M1T79681		280-9018-	Caterpillar
C07837	228000-6552		Clarke			Reman Only	
C07888	428000-2170		Clarke	M1T79781		280-9015-	Caterpillar
C07889	428000-2160		Clarke			Reman Only	
CH10493	021000-7281	5702100-728	John Deere	M1T79781		280-9015-	Clark
CH12084	028000-7640	9712809-074	John Deere			Reman Only	
CH12096	028000-5662		John Deere	M2T54572		280-9022-	Yale
CH12741	028000-5730	9712809-071	John Deere			Reman Only	
CH12741	128000-0710	9712809-071	John Deere	M2T58881		280-9016-	Clark
CH19285	128000-0793	9712809-079	John Deere			Reman Only	
C07820	428000-3900		Clarke	M3T10476D		280-9020-	Yale
C07820	428000-3900		Clarke			Reman Only	
C07820	428000-3900		Clarke	M3T21882D		280-9025-	Nissan
D27-6001-0130J	101211-8120		Kenworth			Reman Only	
D27-6001-0130J	101211-8120		Peterbilt	M3T42881		280-9019-	Nissan
D27-6001-0130P	101211-8390		Kenworth			Reman Only	
D27-6001-0130P	101211-8390		Peterbilt	M3T42881		280-9019-	Mitsubishi
D4HF 10346-BA	021000-4650		Ford Truck			Reman Only	
D4HZ 10345-BA	121000-2450		Ford Truck	M3T56181		280-9024-	Mitsubishi
D4HZ 10346-B	121000-2450		Ford Truck			Reman Only	
D4TF 10346-BA	021000-4760		Ford Truck	M3T67771		280-9023-	Mazda
E8015-63011	228000-2603	9722809-260- Reman Only	Kubota	M809215	228000-7471	9722809-747	John Deere
F4HS-11001-BA	228000-1091		Ford	M8T50071(2)	228000-8420		Mitsubishi
FESE-18-400		280-9020- Reman Only	Yale	MD169683, MD169683D		210-9012- Reman Only	Mitsubishi
GL-94-C	121000-2450		Ford Truck	MD171228, MD320618D		280-9016- Reman Only	Clark
K3511-8411	228000-5400	9722809-540- Reman Only	Kubota	MD184420	228000-1870		Mitsubishi
K7561-61811	428000-2640	9742809-264	Kubota	MD184420	228000-1870		Mitsui-Deutz
KMDO-150-000	021000-2431		Mitsubishi	MD189054		280-9019- Reman Only	Nissan
KMDO-150-000	021000-2431		Satoh				
LR135-95B	211-9000	210-9000	TCM Equipment	MD189054		280-9019- Reman Only	Mitsubishi
LR135-95BR		210-9000	TCM Equipment				
LR140-130P	211-9001	210-9001	Nissan	MD318086,		280-9018-	Caterpillar
LR140-130PR		210-9001	Nissan	MD318086D		Reman Only	

Cross Reference information is provided as a guide only. The Application information section should be referred to for specific applications
DENSO is not responsible for the application information of other manufacturers and distributors.

CROSS REFERENCE



MANUFACTURER PART#	DENSO PART#	REMAN PART#	MANUFACTURER	MANUFACTURER PART#	DENSO PART#	REMAN PART#	MANUFACTURER
MD320618		280-9015-Reman Only	Caterpillar	RE34888	101211-5030		John Deere
MD320618		280-9015-Reman Only	Clark	RE34890	101211-7130		John Deere
MEO22330-01	028000-2842		Mitsubishi	RE37201	100211-6030	9760218-605	John Deere
MEO22330-02	028000-2842		Mitsubishi	RE38336	128000-5971	9712800-597	John Deere
MEO23620-01	021000-4131		Mitsubishi	RE38369	128000-7172		John Deere
MEO29354	100211-0570		Mitsubishi	RE39832	128000-7231		John Deere
MEO29354	100211-0570		Satoh	RE39833	128000-7240		John Deere
MEO70120, MEO70120D		210-9013-Reman Only	Caterpillar	RE40092	128000-8294		John Deere
MEO70120, MEO70120D		210-9013-Reman Only	Clark	RE40092	128000-8294	9712809-829	John Deere
MEO-6005A	128000-2280		Prestolite	RE40595	128000-8304		John Deere
MEO-6005-A	128000-2280		Prestolite	RE42670	128000-7252		John Deere
MEO-6005A (Prestolite)	128000-2280		Thermo King	RE42778	100211-4701		John Deere
MEO-6005-A (Prestolite)	128000-0570		Carrier Transicold	RE43266	128000-5972	9712800-597	John Deere
MEO-6005-A (Prestolite)	128000-2280		Carrier Transicold	RE44140	100211-6051	9760218-605	John Deere
MS-804	128000-4864		Dixie	RE44515	128000-7172		John Deere
MS-819	128000-4854		Dixie	RE46608	100211-6420		John Deere
NPD 1012118060	101211-8060		Freightliner	RE500199	228000-7012		John Deere
NPD 1012118380	101211-8380		Freightliner	RE500226	101211-7780		John Deere
NPD 2280005311	228000-5311		Freightliner	RE500227	102211-1180		John Deere
NPD 4280001881	428000-1881		Freightliner	RE501060	228000-7413		John Deere
NPD 4280004420	428000-4420		Freightliner	RE501294	228000-7873	9722809-787	John Deere
NPD 4280004420	428000-4420		Sterling	RE504244	228000-9140		John Deere
NPD 4280004430	428000-4430		Freightliner	RE504245	228000-9150		John Deere
NPD 4280004430	428000-4430		Sterling	RE506145	101211-8620		John Deere
NPD 4280004440	428000-4440		Freightliner	RE509080	102211-5730		John Deere
NPD 4280005230	428000-5230		Sterling	RE51447	028000-8401	9702809-840	John Deere
NPD 4280005230	428000-5230		FCCC	RE51922	100211-6040		John Deere
NPD 4280005230	428000-5230		Sterling	RE520634	428000-3320		John Deere
NPD 4280005730	428000-5730		Freightliner	RE522852	428000-0131		John Deere
NPD 4280005730	428000-5730		Sterling	RE525468	428000-5530		John Deere
NPD 4280005730	428000-5730		Freightliner Custom Chassis	RE528619	428000-4080		John Deere
PH101-81401	101211-1060	9761219-106-Reman Only	Kubota	RE534934	428000-5750		John Deere
R39341	028000-5884	9702809-588	J.I. Case	RE54090	128000-8294	9712809-829	John Deere
RE 19275 (J. Deere)	028000-8400		Elgin	RE54091	228000-0844		John Deere
RE13722	028000-3292	9702800-329	John Deere	RE54092	028000-8403	9702809-840	Atlas Copco
RE15663	028000-5251	9702800-525	John Deere	RE54416	128000-5973	9712800-597	John Deere
RE15718	128000-0480	9712800-048	John Deere	RE54416	228000-2361		John Deere
RE19275	028000-8400	9702809-840	John Deere	RE54874	228000-2370		John Deere
RE19275	028000-8400		Sullair	RE54909	228000-2380		John Deere
RE23900	128000-3690	9712800-369	John Deere	RE55641	228000-2390		John Deere
RE257541	104210-3920		John Deere	RE59583	228000-4690		John Deere
RE257541	104210-3921		John Deere	RE59584	228000-4730		John Deere
				RE59585	228000-4611		John Deere
				RE59588	228000-0844		John Deere
				RE59589	228000-4601		John Deere
				RE59595	128000-8294		Atlas Copco
				RE59595	128000-8294		John Deere
				RE59595	128000-8294	9712809-829	Atlas Copco
				RE59595	128000-8294	9712809-829	John Deere
				RE59595	128000-8294	9712809-829	John Deere
				RE59595	128000-8294	9712809-829	John Deere

Cross Reference information is provided as a guide only. The Application information section should be referred to for specific applications. DENSO is not responsible for the application information of other manufacturers and distributors.

CROSS REFERENCE



MANUFACTURER PART#	DENSO PART#	REMAN PART#	MANUFACTURER	MANUFACTURER PART#	DENSO PART#	REMAN PART#	MANUFACTURER
RE59595	128000-8294	9712809-829	John Deere	S55N-18-300A		210-9011-	Hyster
RE59595	128000-8294	9712809-829	John Deere			Reman Only	
RE59595	128000-8294	9712809-829	John Deere	S-80001	228000-7111		Dixie
RE60745	101211-7130		John Deere	S-80045	428000-0100		Dixie
RE61406	228000-5280		John Deere	S-80055	428000-0341		Dixie
RE65100	228000-4631		John Deere	S-80056	228000-9140		Dixie
RE65414	102211-0400		John Deere	S-80079	228000-6261		Dixie
RE65817	228000-9020		John Deere	S-80080	228000-6383		Dixie
RE68470	228000-6471		Atlas Copco	S-80082	228000-1133		Dixie
RE68470	228000-6471		John Deere	S-80082R	228000-1133		Dixie
RE69704	228000-6532		Atlas Copco	S-80086	228000-8182		Dixie
RE69704	228000-6532		John Deere	S-80090	228000-7471		Dixie
RE69705	228000-6562		John Deere	S-80090R	228000-7471		Dixie
RE70473	228000-6541		John Deere	S-80091	228000-5750		Dixie
RE70474	228000-6551		John Deere	S-80091R	228000-5750		Dixie
RE70475	228000-6572		John Deere	S-80093	228000-6300		Dixie
RE729171	101211-2470	9761219-247	John Deere	S-80094	228000-9010		Dixie
RE72918	102211-5121		John Deere	S-80104	228000-2124		Dixie
S-114-116	128000-0710	9712809-071	Hitachi	S-8018	028000-6813	280-7010-	Dixie
S-114-116 (Hitachi)	028000-5730	9712809-071	John Deere			Reman Only	
S114-164A	281-9000	280-9000	Nissan	S-8019	028000-2250		Dixie
S114-164AR		280-9000	Nissan	S-8021	028000-3800		Dixie
S114-170		281-9001	Hitachi	S-8021	028000-7462	9702809-746	Dixie
S114-182		281-9002	Hitachi	S-8027	028000-6090		Dixie
S114-184	281-9003	280-9003	TCM Equipment	S-8027	028000-6651		Dixie
S114-184R		280-9003	TCM Equipment	S-8033	028000-3292	9702800-329	Dixie
S114-433	281-9004	280-9004	Nissan	S-8041	028000-5240		Dixie
S114-433R		280-9004	Nissan	S-8044	028000-4252		Dixie
S114-482	281-9005	280-9005	Nissan	S-8045	128000-5090	9702809-509	Dixie
S114-482	281-9005	280-9005	TCM Equipment	S-8046	028000-5130	9702809-513	Dixie
S114-482R		280-9005	Nissan	S-8048	028000-5230		Dixie
S114-482R		280-9005	TCM Equipment	S-8048	028000-8120		Dixie
S12-63B	281-9006	280-9006	Nissan	S-8079	028000-3811	9702800-381	Dixie
S12-63BR		280-9006	Nissan	S-8080	028000-3930		Dixie
S13-104	281-9007	280-9007	Nissan	S-8081	028000-3971	9702800-397	Dixie
S13-104R		280-9007	Nissan	S-8083	028000-4930		Dixie
S13-211	281-9300		Hitachi	S-8085	028000-5040		Dixie
S13-28	281-9008	280-9008	TCM Equipment	S-8085	028000-6921		Dixie
S13-28R		280-9008	TCM Equipment	S-8086	028000-5251	9702800-525	Dixie
S13-82B	281-9009	280-9009	Hyster	S-8087	028000-5460		Dixie
S13-82BR		280-9009	Hyster	S-8089	028000-5730	9712809-071	Dixie
S13-84B	281-9301		Hitachi	S-8092	028000-5961		Dixie
S13-92A	281-9010	280-9010	Nissan	S-8097	028000-6780		Dixie
S13-92AR		280-9010	Nissan	S-8098	028000-7431		Dixie
S14-100ER	280-3134		Hitachi	S-8107	028000-6962	280-0138	Dixie
S14-101AR	280-3134		Hitachi	S-8108	028000-7172	9702809-717	Dixie
S25-158B	281-9011	280-9011	Nissan	S-8116	128000-1230		Dixie
S25-158BR		280-9011	Nissan	S-8124	228000-0142		Dixie
S25-164A	281-9012	280-9012	Nissan	S-8132	028000-8230	280-7019	Dixie
S25-164AR		280-9012	Nissan	S-8133	028000-8380	280-7027	Dixie
				S-8152	128000-0960	280-7040	Dixie
				S-8152	128000-2881		Dixie

Cross Reference information is provided as a guide only. The Application information section should be referred to for specific applications
DENSO is not responsible for the application information of other manufacturers and distributors.

CROSS REFERENCE



MANUFACTURER PART#	DENSO PART#	REMAN PART#	MANUFACTURER	MANUFACTURER PART#	DENSO PART#	REMAN PART#	MANUFACTURER
S-8152	128000-0960	280-7040	Dixie	S-8303	028000-6190		Dixie
S-8152	128000-2881		Dixie	S-8304	128000-5590		Dixie
S-8152-1	028000-7004		Dixie	S-8305	128000-5602		Dixie
S-8152-1	128000-2881		Dixie	S-8306	128000-6350	280-7046	Dixie
S-8173	128000-0300		Dixie	S-8308	128000-4921		Dixie
S-8195	028000-5800		Dixie	S-8312	028000-5864	280-7001 -	Dixie
S-8195	128000-0721		Dixie			Reman Only	
S-8207	128000-2570		Dixie	S-8316	128000-0570		Dixie
S-8208	128000-3182		Dixie	S-8316	128000-2280		Dixie
S-8214	128000-3500	280-0134	Dixie	S-8319	028000-7521	280-7009-	Dixie
S-8214	128000-7500	280-0140	Dixie			Reman Only	
S-8214	128000-8030	280-0146	Dixie	S-8319	028000-6823	280-7014-	Dixie
S-8215	128000-4960	280-0135	Dixie			Reman Only	
S-8215	128000-5270	280-0135	Dixie	S-8320	128000-0472	280-7004-	Dixie
S-8215	128000-5280	280-0135	Dixie			Reman Only	
S-8244	128000-4911	9712809-491	Dixie	S-8334	128000-0974	280-7005-	Dixie
S-8252	128000-0494	9712809-049	Dixie			Reman Only	
S-8254	128000-0216	9712809-021	Dixie	S-8336	028000-5510		Dixie
S-8254	128000-2273		Dixie	S-8343	128000-7141	280-0147	Dixie
S-8260	028000-9820	280-7026	Dixie	S-8348	128000-7753		Dixie
S-8261	028000-7830		Dixie	S-8356	228000-0473		Dixie
S-8261	128000-0140		Dixie	S-8357	128000-7810	280-0136	Dixie
S-8261	128000-6280		Dixie	S-8374	128000-7400		Dixie
S-8263	028000-9830	280-7029	Dixie	S-8376	128000-7002		Dixie
S-8264	128000-0590	280-7023	Dixie	S-8393	128000-7191		Dixie
S-8265	128000-1040	280-7025	Dixie	S-8403	028000-6200		Dixie
S-8266	128000-1050	280-7020	Dixie	S-8404	028000-7812	280-7003-	Dixie
S-8266	128000-1770		Dixie			Reman Only	
S-8266	128000-2960		Dixie	S-8404	028000-7453	280-7006-	Dixie
S-8267	128000-1062	280-7030	Dixie			Reman Only	
S-8268	128000-4084	280-7024	Dixie	S-8407	128000-5091		Dixie
S-8273	128000-5732		Dixie	S-8410	028000-6640		Dixie
S-8274	128000-6870	280-7021	Dixie	S-8411	228000-2471	280-7038	Dixie
S-8275	228000-3311		Dixie	S-8418	128000-2040		Dixie
S-8275	228000-3321		Dixie	S-8418	128000-7560		Dixie
S-8276	128000-2970	280-7032	Dixie	S-8422	128000-1002	280-7034	Dixie
S-8277	128000-3032	280-7047	Dixie	S-8438	228000-1800		Dixie
S-8278	228000-6471		Dixie	S-8444	128000-0623	280-7000-	Dixie
S-8279	028000-8390	280-7028	Dixie			Reman Only	
S-8280	028000-6350		Dixie	S-8461	028000-2890		Dixie
S-8281	028000-9113		Dixie	S-8465	128000-4520		Dixie
S-8282	128000-8281		Dixie	S-8468	128000-5913	9712809-591	Dixie
S-8283	228000-2201		Dixie	S-8468	128000-7573		Dixie
S-8287	128000-5331		Dixie	S-8485	128000-3690		Dixie
S-8292	128000-0480		Dixie	S-8500	228000-5211		Dixie
S-8296	028000-7610		Dixie	S-8501	228000-0844		Dixie
S-8299	228000-1953	280-8000	Dixie	S-8505	228000-2371		Dixie
S-8299	128000-2480		Dixie	S-8505	228000-4690		Dixie
S-8299	128000-9503	9712809-950	Dixie	S-8506	228000-1351		Dixie
S-8299	228000-0620		Dixie	S-8506	228000-1422		Dixie
S-8300	028000-8251		Dixie	S-8509	228000-0121		Dixie
S-8302	028000-5780		Dixie				

Cross Reference information is provided as a guide only. The Application information section should be referred to for specific applications
DENSO is not responsible for the application information of other manufacturers and distributors.

CROSS REFERENCE



MANUFACTURER PART#	DENSO PART#	REMAN PART#	MANUFACTURER	MANUFACTURER PART#	DENSO PART#	REMAN PART#	MANUFACTURER
S-8512	128000-4113	280-7008 - Reman Only	Dixie	S-8869	128000-7520		Dixie
S-8522	128000-8130	280-7007- Reman Only	Dixie	S-8870	128000-7530		Dixie
S-8527	128000-1012	280-7035	Dixie	S-8871	128000-7540		Dixie
S-8528	128000-9962	280-7037	Dixie	S-8872	228000-0251		Dixie
S-8529	128000-9972	280-7036	Dixie	S-8872	228000-3732		Dixie
S-8531	028000-7543		Dixie	S-8877	228000-4601		Dixie
S-8532	228000-0022		Dixie	S-8881	228000-2970		Dixie
S-8535	228000-6511		Dixie	S-8881	228000-5123		Dixie
S-8535	228000-1940		Dixie	S-8882	228000-6532		Dixie
S-8538	128000-7480		Dixie	S-8882	228000-7873		Dixie
S-8539	228000-2640		Dixie	S-8886	228000-5142		Dixie
S-8539	228000-7190		Dixie	S-8895	128000-9362		Dixie
S-8540	228000-1880		Dixie	S-8897	128000-7050		Dixie
S-8543	228000-6670		Dixie	S-8898	128000-9980		Dixie
S-8547	128000-3410		Dixie	S-8899	128000-6550		Dixie
S-8567	028000-6290		Dixie	S-8901	128000-8040		Dixie
S-8584	128000-4102	280-7016- Reman Only	Dixie	S-8905	228000-6070		Dixie
S-8595	228000-6401	280-7043	Dixie	S-8911	228000-6511		Dixie
S-8596	028000-8630		Dixie	S-8917	228000-9680		Dixie
S-8605	228000-1370		Dixie	S-8917	228000-7641		Dixie
S-8606	128000-0560		Dixie	S-8919	228000-6552		Dixie
S-8616	228000-3811		Dixie	S-8920	228000-7380	280-8006	Dixie
S-8642	228000-5731		Dixie	S-8920	228000-5631		Dixie
S-8643	228000-5003		Dixie	S-8922	228000-1091		Dixie
S-8649	228000-5851	280-8019	Dixie	S-8923	128000-8171		Dixie
S-8650	228000-5811		Dixie	S-8924	228000-1041	9722809-104	Dixie
S-8651	228000-7500		Dixie	S-8938	128000-2760		Dixie
S-8655	228000-1832		Dixie	S-8945	228000-6541		Dixie
S-8678	228000-5862	280-7041	Dixie	S-8955	128000-8456		Dixie
S-8715	028000-9490		Dixie	S-8956	128000-8221		Dixie
S-8764	228000-7432		Dixie	S-8957	228000-2551		Dixie
S-8767	128000-8322		Dixie	S-8977	228000-7730		Dixie
S-8788	128000-0710	9712809-071	Dixie	SBA 1850 46050	021000-4560		Ford Tractor
S-8788	228000-0111		Dixie	SBA 1850 86180	028000-6350		Ford Tractor
S-8807	228000-3802		Dixie	SBA 1850 86280	028000-9113		Ford Tractor
S-8811	228000-5741		Dixie	T1060-15603	101211-1220	9761219-122 - Reman Only	Kubota
S-8812	228000-6651		Dixie	T1060-15682	101211-1360	9761219-136 - Reman Only	Kubota
S-8814	228000-5311	280-8002	Dixie	T1065-15682	101211-3780	9761219-378 - Reman Only	Kubota
S-8815	228000-5460		Dixie	T1150-16800	228000-9800	9722809-980 - Reman only	Kubota
S-8816	228000-7301	280-8005	Dixie	TA043-74011	101211-2490	9761219-249- Reman Only	Kubota
S-8817	228000-7490		Dixie	TM27M00513	228000-2151	280-7070	Teledyne
S-8838	128000-9680		Dixie	TM27M00513	228000-2151	280-7070	Wisconsin Robbins
S-8839	128000-9690		Dixie	TM27M00514	228000-2160		Teledyne
S-8840	228000-4391	280-7002- Reman Only	Dixie	TM27M00515	228000-2171		Teledyne
S-8859	228000-7071	280-7042	Dixie	TM27M00515	228000-2171		Wisconsin Robbins
S-8860	228000-7810	280-7045	Dixie	TM27M00516	228000-2181	280-7071	Teledyne
S-8865	128000-4020		Dixie	TM27M00516	228000-2181	280-7071	Wisconsin Robbins
S-8867	128000-7070		Dixie				

Cross Reference information is provided as a guide only. The Application information section should be referred to for specific applications
DENSO is not responsible for the application information of other manufacturers and distributors.

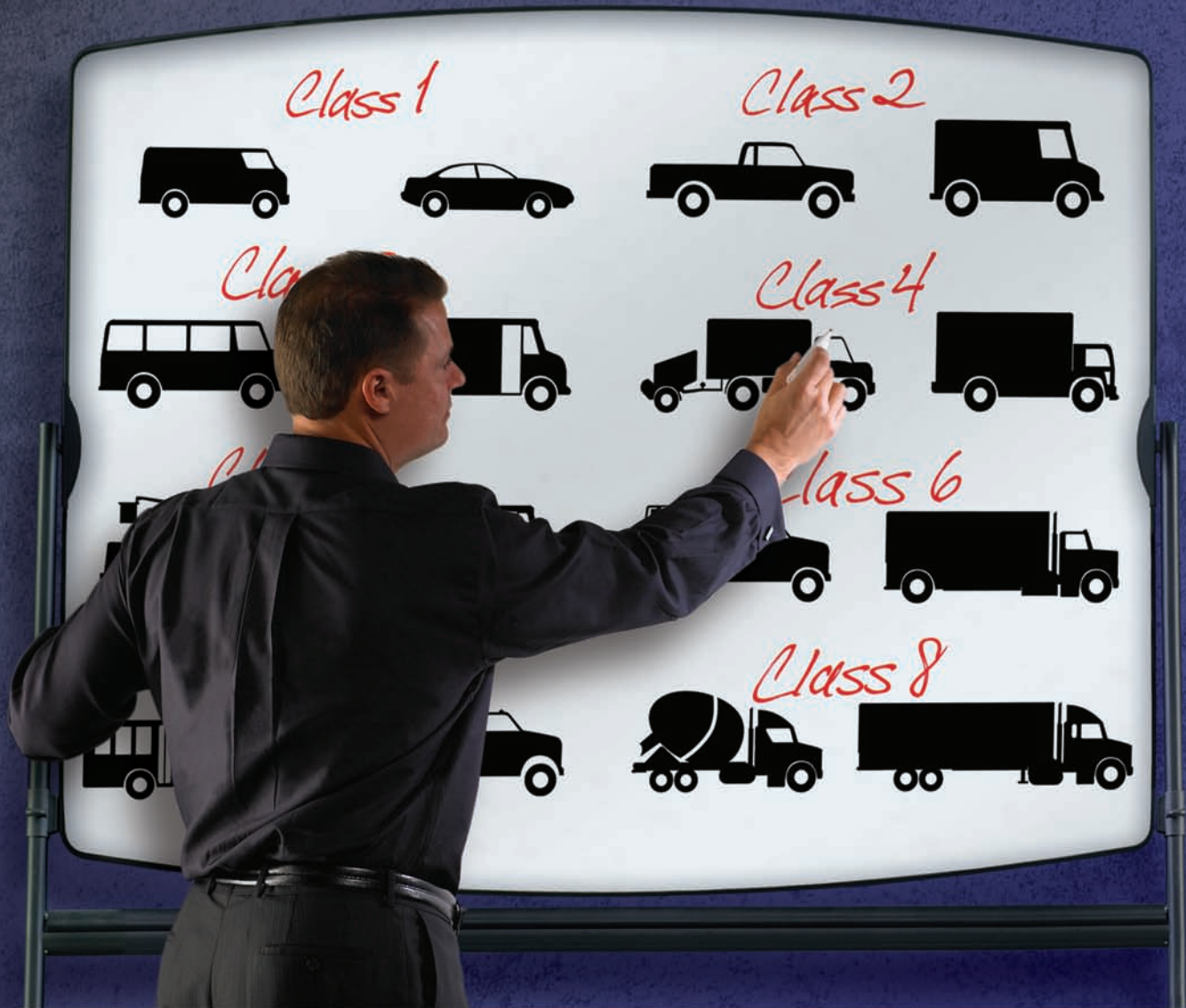
CROSS REFERENCE



MANUFACTURER PART#	DENSO PART#	REMAN PART#	MANUFACTURER	MANUFACTURER PART#	DENSO PART#	REMAN PART#	MANUFACTURER
TMD-13M500	128000-1770		Teledyne				
TMD-13M500	128000-1770		Tennant				
TMD-13M501	128000-2960		Teledyne				
TMD-13M501	128000-2960		New Holland				
TMD-13M502	128000-2970	280-7032	Teledyne				
TMD-13M502	128000-2970	280-7032	Clark Forklift				
TMD-13M503	128000-5590		Teledyne				
TMD-13M504	128000-6350	280-7046	Teledyne				
TMD-13M506	128000-3032		Teledyne				
TMD-27M504	128000-1782		Teledyne				
TMD-27M504	128000-1782		Tennant				
TMD-27M506	128000-3032	280-7047	Teledyne				
TMD-27M506	128000-3032	280-7047	Clark Forklift				
TMD-27M507	128000-5602		Teledyne				
TMD-27M509	228000-0022		Teledyne				
TMD-27M521	228000-1190		Teledyne				
TMSK-18-400		280-9023	Mazda				
TY25233	228000-0251		John Deere				
TY25233	228000-0250	9722809-025 - Reman Only	John Deere				
TY25233	228000-0250	9722809-025 - Reman Only	John Deere				
TY25233	228000-0250	9722809-025 - Reman Only	John Deere				
TY25234	228000-7111	9722809-711	John Deere				
TY25235	128000-7301		John Deere				
TY25237	228000-3732	9722809-373	John Deere				
TY25238	228000-7471		John Deere				
TY25240	101211-1131		John Deere				
TY25241	101211-2471		John Deere				
TY25242	101211-2951		John Deere				
TY25243	101211-1170		John Deere				
TY25243	101211-1170	9761219-117	John Deere				
TY6717	128000-0741	9712809-074	John Deere				
TY6719	028000-8403	9702809-840	John Deere				
YM 129407-77010	228000-3732	9722809-366- Reman Only	Komatsu				
YM119255-77010	228000-5750	9722809-575- Reman Only	Komatsu				
	428000-5120		Blue Bird				
	428000-5120		Capacity of Texas				
	428000-5120		Capacity of Texas				
	428000-5440		Capacity of Texas				
	101211-8250		Ford Truck				
	101211-8250		Freightliner				
	101211-8250		International				

Cross Reference information is provided as a guide only. The Application information section should be referred to for specific applications
 DENSO is not responsible for the application information of other manufacturers and distributors.

We've got your fleet covered
across the board.



©2009 DENSO Sales California, Inc.

DENSO, all the way. Whatever you put on the road, from Class 1 to Class 8, DENSO is your commercial vehicle specialist. With a strong heritage as a key OEM provider, we make a wide variety of products designed to meet your needs. From starters to alternators to compressors to diesel fuel injection, we outperform the competition. When the name of the game is keeping your commercial vehicle and equipment up and running, do what America's largest fleets do: DENSO, all the way. www.densoheavyduty.com

a/c compressors | alternators | oil filters | oxygen sensors | spark plugs | starters | wiper blades



DENSO DELIVERS



HEAVY DUTY

1.888.96.DENSO
3900 Via Oro Avenue
Long Beach, California 90810
For updates, visit www.DensoAftermarket.com